



[ CAC ]

## CANADIAN AIRPORT CHARTS

Effective 0901Z

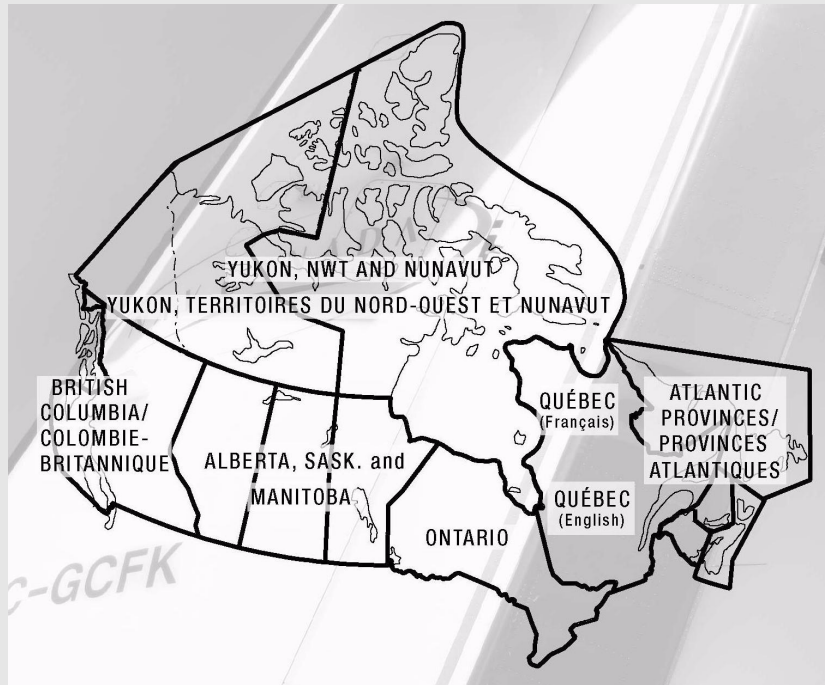
**11 FEB 10**

to 0901Z 08 APR 2010

**CAUTION**

The information in this publication may be superseded by NOTAM or AIP Supplement.

Source of Canadian Civil Aeronautical Data  
2010 NAV CANADA  
All rights reserved



En vigueur 0901Z

**11 FÉV 10**

jusqu'à 0901Z 08 AVR 2010

**ATTENTION**

Le contenu de présente publication est susceptible de modification par NOTAM ou Supplément d'AIP.

Source des données aéronautiques civiles canadiennes  
2010 NAV CANADA  
Tous droits réservés

## CARTES DES AÉROPORTS CANADIENS

SERVING A WORLD IN MOTION

# Canadian Airport Charts

---

## Cartes des aéroports canadiens

The information in the Canadian Airport Charts provides pictorial displays of Canadian airport manoeuvring areas found in the Canada Air Pilot or the military GPH 200, and may be reproduced for the sole purpose of assisting pilots during aircraft ground movement operations. Up-to-date information on flight planning procedures and airport services, including fuel, lighting, and local prohibitions or procedures is found in the Canada Flight Supplement.

L'information qui se trouve dans les Cartes des aéroports canadiens contient des indicateurs topographiques des aires de manœuvre des aéroports canadiens provenant du Canada Air Pilot ou du GPH 200 militaire et peut être reproduite à seule fin d'aider les pilotes durant les mouvements d'aéronefs au sol. De l'information à jour sur les procédures de préparation de plans de vol et les services d'aéroport, y compris le carburant, le balisage, ainsi que les interdictions et les procédures locales, se trouve dans le Supplément de vol –Canada.

Published NAV CANADA in accordance with Annexes 4  
and 15 of the Chicago Convention Source of Canadian Civil

Aeronautical Data: © 2010 NAV CANADA All rights  
reserved

Source of Canadian Military Aeronautical Data: Her Majesty  
the Queen in Right of Canada Department of National  
Defence

Publié par NAV CANADA en vertu des annexes 4 et 15 de  
la Convention relative à l'aviation civile internationale.

Source des données aéronautiques civiles canadiennes: ©  
2010 NAV CANADA

Tous droits réservés Source des données aéronautiques  
militaires canadiennes: Ministère de la Défense nationale de  
Sa Majesté la Reine du Chef du Canada

## Table of Contents — Table des matières

PREFACE / PRÉFACE .....	1
AERODROME CHART LEGEND .....	2
LÉGENDE DES CARTES D'AÉRODROME .....	3

### Yukon, NWT and Nunavut / Yukon, Territoires du Nord-Ouest et Nunavut

	INUVIK (MIKE ZUBKO)	(CYEV) NT
	AERODROME CHART .....	31
	IQALUIT	(CYFB) NU
	AERODROME CHART .....	32
	KUGAARUK	(CYBB) NU
	AERODROME CHART .....	33
	KUGLUKTUK	(CYCO) NU
	AERODROME CHART .....	34
	LUTSELK'E	(CYEU) NT
	AERODROME CHART .....	35
	MAYO	(CYMA) YT
	AERODROME CHART .....	36
	NANISIVIK	(CYSR) NU
	AERODROME CHART .....	37
	NORMAN WELLS	(CYVQ) NT
	AERODROME CHART .....	38
	OLD CROW	(CYOC) YT
	AERODROME CHART .....	39
	PANGNIRTUNG	(CYXP) NU
	AERODROME CHART .....	40
	PAULATUK	(CYPC) NT
	AERODROME CHART .....	41
	POND INLET	(CYIO) NU
	AERODROME CHART .....	42
	QIKIQTARJUAQ	(CYVM) NU
	AERODROME CHART .....	43
	RANKIN INLET	(CYRT) NU
	AERODROME CHART .....	44
	REPULSE BAY	(CYUT) NU
	AERODROME CHART .....	45
	RESOLUTE BAY	(CYRB) NU
	AERODROME CHART .....	46
	SACHS HARBOUR	(CYSY) NT
	AERODROME CHART .....	47
	SANIKILUAQ	(CYSK) NU
	AERODROME CHART .....	48
	TALOYOAK	(CYYH) NU
	AERODROME CHART .....	49
	TESLIN	(CYZW) YT
	AERODROME CHART .....	50
	TUKTOYAKTUK / JAMES GRUBEN	(CYUB) NT
	AERODROME CHART .....	51
	ULUKHAKTOK/HOLMAN	(CYHI) NT
	AERODROME CHART .....	52
	WATSON LAKE	(CYQH) YT
	AERODROME CHART .....	53
	WHATI	(CEM3) NT
	AERODROME CHART .....	54
	WHITEHORSE INTL	(CYXY) YT
	AERODROME CHART .....	55
	WRIGLEY	(CYWY) NT
	AERODROME CHART .....	56
	YELLOWKNIFE	(CYZF) NT
	AERODROME CHART .....	57
	<b>British Columbia / Colombie-Britannique</b>	
AKLAVIK/FREDDIE CARMICHAEL	(CYKD) NT	
AERODROME CHART .....		4
ALERT	(CYLT) NU	
AERODROME CHART (DND) .....		5
ARVIAT	(CYEK) NU	
AERODROME CHART .....		6
BAKER LAKE	(CYBK) NU	
AERODROME CHART .....		7
BEAVER CREEK	(CYXQ) YT	
AERODROME CHART .....		8
BURWASH	(CYDB) YT	
AERODROME CHART .....		9
CAMBRIDGE BAY	(CYCB) NU	
AERODROME CHART .....		10
CAPE DORSET	(CYTE) NU	
AERODROME CHART .....		11
CHESTERFIELD INLET	(CYCS) NU	
AERODROME CHART .....		12
CLYDE RIVER	(CYCY) NU	
AERODROME CHART .....		13
CORAL HARBOUR	(CYZS) NU	
AERODROME CHART .....		14
DAWSON CITY	(CYDA) YT	
AERODROME CHART .....		15
DÉLINE	(CYWJ) NT	
AERODROME CHART .....		16
EUREKA	(CYEU) NU	
AERODROME CHART .....		17
FARO	(CZFA) YT	
AERODROME CHART .....		18
FORT GOOD HOPE	(CYGH) NT	
AERODROME CHART .....		19
FORT LIARD	(CYJF) NT	
AERODROME CHART .....		20
FORT MCPHERSON	(CZFM) NT	
AERODROME CHART .....		21
FORT RESOLUTION	(CYFR) NT	
AERODROME CHART .....		22
FORT SIMPSON	(CYFS) NT	
AERODROME CHART .....		23
FORT SMITH	(CYSM) NT	
AERODROME CHART .....		24
GAMÉTI/RAE LAKES	(CYRA) NT	
AERODROME CHART .....		25
GJOA HAVEN	(CYHK) NU	
AERODROME CHART .....		26
GREAT BEAR LAKE	(CFF4) NT	
AERODROME CHART .....		27
HALL BEACH	(CYUX) NU	
AERODROME CHART .....		28
HAY RIVER	(CYHY) NT	
AERODROME CHART .....		29
IGLOOLIK	(CYGT) NU	
AERODROME CHART .....		30

<b>ABBOTSFORD</b>	<b>(CYXX) BC</b>		<b>SMITHERS</b>	<b>(CYVD) BC</b>	
AERODROME CHART		58	AERODROME CHART		95
<b>ANAHIM LAKE</b>	<b>(CAJ4) BC</b>		<b>TERRACE</b>	<b>(CYXT) BC</b>	
AERODROME CHART		59	AERODROME CHART		96
<b>ATLIN</b>	<b>(CYSQ) BC</b>		<b>TOFINO</b>	<b>(CYAZ) BC</b>	
AERODROME CHART		60	AERODROME CHART		97
<b>BELLA BELLA (CAMPBELL ISLAND)</b>	<b>(CBBC) BC</b>		<b>TRAIL</b>	<b>(CAD4) BC</b>	
AERODROME CHART		61	AERODROME CHART		98
<b>BOUNDARY BAY</b>	<b>(CZBB) BC</b>		<b>VANCOUVER/HARBOUR (PUBLIC)</b>	<b>(CBC7) BC</b>	
AERODROME CHART		62	AERODROME CHART		99
<b>BURNS LAKE</b>	<b>(CYPZ) BC</b>		<b>VANCOUVER INTL</b>	<b>(CYVR) BC</b>	
AERODROME CHART		63	AERODROME CHART		100
<b>CAMPBELL RIVER</b>	<b>(CYBL) BC</b>		TAXI CHART		101
AERODROME CHART		64	TAXI CHART (PAGE 2)		102
<b>CASTLEGAR/WESTKOOTENAY REGIONAL (CYCG) BC</b>			CODED TAXI ROUTES		103
AERODROME CHART		65	DE-ICING FACILITY		104
<b>CHETWYND</b>	<b>(CYCQ) BC</b>		DE-ICING GENERAL		105
AERODROME CHART		66	LOW VISIBILITY PROCEDURES		106
<b>COMOX</b>	<b>(CYQQ) BC</b>		PARKING AREAS		107
AERODROME CHART		67	SOUTH TERMINAL PARKING AREAS		108
<b>CRANBROOK/CANADIAN ROCKIES INTL (CYXC) BC</b>			<b>VERNON</b>	<b>(CYVK) BC</b>	
AERODROME CHART		68	AERODROME CHART		109
<b>DAWSON CREEK</b>	<b>(CYDQ) BC</b>		<b>VICTORIA HARBOUR (CAMEL POINT)</b>	<b>(CBF7) BC</b>	
AERODROME CHART		69	AERODROME CHART		110
<b>DEASE LAKE</b>	<b>(CYDL) BC</b>		<b>VICTORIA INTL</b>	<b>(CYYJ) BC</b>	
AERODROME CHART		70	AERODROME CHART		111
<b>FAIRMONT HOT SPRINGS</b>	<b>(CYCZ) BC</b>		PARKING AREAS		112
AERODROME CHART		71	<b>WILLIAMS LAKE</b>	<b>(CYWL) BC</b>	
<b>FORT NELSON</b>	<b>(CYYE) BC</b>		AERODROME CHART		113
AERODROME CHART		72			
<b>FORT ST. JOHN</b>	<b>(CYXJ) BC</b>		<b>Alberta, Saskatchewan, Manitoba</b>		
AERODROME CHART		73	<b>BEAVAL</b>	<b>(CJK3) SK</b>	
<b>GRAND FORKS</b>	<b>(CZGF) BC</b>		AERODROME CHART		114
AERODROME CHART		74	<b>BRANDON MUNI</b>	<b>(CYBR) MB</b>	
<b>KAMLOOPS</b>	<b>(CYKA) BC</b>		AERODROME CHART		115
AERODROME CHART		75	<b>BROCHET</b>	<b>(CYBT) MB</b>	
<b>KELOWNA</b>	<b>(CYLW) BC</b>		AERODROME CHART		116
AERODROME CHART		76	<b>BUFFALO NARROWS</b>	<b>(CYVT) SK</b>	
PARKING AREAS		77	AERODROME CHART		117
<b>LANGLEY REGIONAL</b>	<b>(CYNJ) BC</b>		<b>CALGARY INTL</b>	<b>(CYYC) AB</b>	
AERODROME CHART		78	AERODROME CHART		118
<b>MACKENZIE</b>	<b>(CYZY) BC</b>		AERODROME CHART (HIRO)		119
AERODROME CHART		79	TAXI CHART		120
<b>MASSET</b>	<b>(CZMT) BC</b>		PARKING AREAS		121
AERODROME CHART		80	<b>CALGARY/SPRINGBANK</b>	<b>(CYBW) AB</b>	
<b>NANAIMO</b>	<b>(CYCD) BC</b>		AERODROME CHART		122
AERODROME CHART		81	<b>CAMROSE</b>	<b>(CEQ3) AB</b>	
<b>108 MILE AIRPORT</b>	<b>(CZML) BC</b>		AERODROME CHART		123
AERODROME CHART		82	<b>CARLYLE</b>	<b>(CJQ3) SK</b>	
<b>PENTICTON</b>	<b>(CYYF) BC</b>		AERODROME CHART		124
AERODROME CHART		83	<b>CHURCHILL</b>	<b>(CYYQ) MB</b>	
<b>PITT MEADOWS</b>	<b>(CYPK) BC</b>		AERODROME CHART		125
AERODROME CHART		84	<b>COLD LAKE/GROUP CAPTAIN R.W. MCNAIR (CYOD) AB</b>		
<b>PORT ALBERNI (ALBERNI VALLEY REGIONAL) (CBS8) BC</b>			AERODROME CHART		126
AERODROME CHART		85	<b>DAUPHIN (LT. COL W.G.(BILLY) BARKER, VC APRT)</b>		
<b>PORT HARDY</b>	<b>(CYZT) BC</b>		<b>(CYDN) MB</b>		
AERODROME CHART		86	AERODROME CHART		127
<b>POWELL RIVER</b>	<b>(CYPW) BC</b>		<b>DELORAINE</b>	<b>(CJJ4) MB</b>	
AERODROME CHART		87	AERODROME CHART		128
<b>PRINCE GEORGE</b>	<b>(CYXS) BC</b>		<b>DRUMHELLER MUNI</b>	<b>(CEG4) AB</b>	
AERODROME CHART		88	AERODROME CHART		129
<b>PRINCE RUPERT</b>	<b>(CYPR) BC</b>		<b>EDMONTON CITY CENTRE (BLATCHFORD FIELD) (CYXD) AB</b>		
AERODROME CHART		89	AERODROME CHART		130
<b>PRINCETON</b>	<b>(CYDC) BC</b>		<b>EDMONTON INTL</b>	<b>(CYEG) AB</b>	
AERODROME CHART		90	AERODROME CHART		131
<b>QUALICUM BEACH</b>	<b>(CAT4) BC</b>		PARKING AREAS - APRON 1		132
AERODROME CHART		91	<b>EDMONTON/JOSEPHBURG</b>	<b>(CFB6) AB</b>	
<b>QUESNEL</b>	<b>(CYQZ) BC</b>		AERODROME CHART		133
AERODROME CHART		92	<b>EDSON</b>	<b>(CYET) AB</b>	
<b>SALMON ARM</b>	<b>(CZAM) BC</b>		AERODROME CHART		134
AERODROME CHART		93			
<b>SANDSPIT</b>	<b>(CYZP) BC</b>				
AERODROME CHART		94			

<b>EMPRESS</b>	(CYEA) AB		<b>PUKATAWAGAN</b>	(CYYL) MB	
AERODROME CHART		135	AERODROME CHART		171
<b>ESTEVAN</b>	(CYEN) SK		<b>RED DEER REGIONAL</b>	(CYQF) AB	
AERODROME CHART		136	AERODROME CHART		172
<b>FLIN FLON</b>	(CYFO) MB		<b>REGINA INTL</b>	(CYQR) SK	
AERODROME CHART		137	AERODROME CHART		173
<b>FORT CHIPEWYAN</b>	(CYPY) AB		PARKING AREA		174
AERODROME CHART		138	<b>ROCKY MTN HOUSE</b>	(CYRM) AB	
<b>FORT MACKAY/ALBIAN</b>	(CAL4) AB		AERODROME CHART		175
AERODROME CHART		139	<b>RUSSELL</b>	(CJW5) MB	
<b>FORT MCMURRAY</b>	(CYMM) AB		AERODROME CHART		176
AERODROME CHART		140	<b>ST THERESA POINT</b>	(CYST) MB	
<b>FORT VERMILION</b>	(CEZ4) AB		AERODROME CHART		177
AERODROME CHART		141	<b>SANDY BAY</b>	(CJY4) SK	
<b>GILLAM</b>	(CYGX) MB		AERODROME CHART		178
AERODROME CHART		142	<b>SASKATOON/JOHN G. DIEFENBAKER INTL (CYXE) SK</b>		179
<b>GODS LAKE NARROWS</b>	(CYGO) MB		AERODROME CHART		179
AERODROME CHART		143	<b>SHAUNAVON</b>	(CJC5) SK	
<b>GODS RIVER</b>	(CZGI) MB		AERODROME CHART		180
AERODROME CHART		144	<b>SLAVE LAKE</b>	(CYZH) AB	
<b>GRANDE PRAIRIE</b>	(CYQU) AB		AERODROME CHART		181
AERODROME CHART		145	<b>STEINBACH (SOUTH)</b>	(CKK7) MB	
<b>HIGH LEVEL</b>	(CYOJ) AB		AERODROME CHART		182
AERODROME CHART		146	<b>STONY RAPIDS</b>	(CYSF) SK	
<b>HIGH PRAIRIE</b>	(CZHP) AB		AERODROME CHART		183
AERODROME CHART		147	<b>SWAN RIVER</b>	(CYBR) MB	
<b>HINTON/JASPER-HINTON</b>	(CEC4) AB		AERODROME CHART		184
AERODROME CHART		148	<b>SWIFT CURRENT</b>	(CYYN) SK	
<b>HUDSON BAY</b>	(CYHB) SK		AERODROME CHART		185
AERODROME CHART		149	<b>THE PAS</b>	(CYQD) MB	
<b>ISLAND LAKE</b>	(CYIV) MB		AERODROME CHART		186
AERODROME CHART		150	<b>THE PAS/GRACE LAKE</b>	(CJR3) MB	
<b>KINDERSLEY REGIONAL</b>	(CYKY) SK		AERODROME CHART		187
AERODROME CHART		151	<b>THOMPSON</b>	(CYTH) MB	
<b>LA RONGE (BARBER FIELD)</b>	(CYVC) SK		AERODROME CHART		188
AERODROME CHART		152	<b>TISDALE</b>	(CJY3) SK	
<b>LETHBRIDGE COUNTY</b>	(CYQL) AB		AERODROME CHART		189
AERODROME CHART		153	<b>VEGREVILLE</b>	(CEV3) AB	
<b>LLOYDMINSTER</b>	(CYLL) AB		AERODROME CHART		190
AERODROME CHART		154	<b>VERMILION</b>	(CYVG) AB	
<b>LYNN LAKE</b>	(CYYL) MB		AERODROME CHART		191
AERODROME CHART		155	<b>VIRDEN/R.J. (BOB) ANDREW FIELD REGIONAL (CYVD) MB</b>		192
<b>MANNING</b>	(CFX4) AB		AERODROME		192
AERODROME CHART		156	<b>WETASKIWIN REGIONAL</b>	(CEX3) AB	
<b>MEADOW LAKE</b>	(CYLJ) SK		AERODROME CHART		193
AERODROME CHART		157	<b>WEYBURN</b>	(CJE3) SK	
<b>MEDICINE HAT</b>	(CYXH) AB		AERODROME CHART		194
AERODROME CHART		158	<b>WHITECOURT</b>	(CYZU) AB	
<b>MELFORT (MILLER FIELD)</b>	(CJK3) SK		AERODROME CHART		195
AERODROME CHART		159	<b>WINNIPEG /JAMES ARMSTRONG RICHARDSON INTL (CYWG) MB</b>		196
<b>MOOSE JAW/AIR VICE MARSHAL C.M. MCEWEN (CYMJ) SK</b>		160	AERODROME CHART		196
AERODROME CHART		160	CENTRAL DE-ICING FACILITY		197
<b>NIPAWIN</b>	(CYBU) SK		PARKING AREA		198
AERODROME CHART		161	PARKING AREAS (DND)		199
<b>NORTH BATTLEFORD (CAMERON MCINTOSH) (CYQW) SK</b>		162	<b>WINNIPEG/ST.ANDREWS</b>	(CYAV) MB	
AERODROME CHART		162	AERODROME CHART		200
<b>NORWAY HOUSE</b>	(CYNE) MB		<b>WOLLASTON LAKE</b>	(CZWL) SK	
AERODROME CHART		163	AERODROME CHART		201
<b>PEACE RIVER</b>	(CYPE) AB		<b>YORK LANDING</b>	(CZAC) MB	
AERODROME CHART		164	AERODROME CHART		202
<b>PELICAN NARROWS</b>	(CJW4) SK		<b>YORKTON MUNI</b>	(CYQV) SK	
AERODROME CHART		165	AERODROME CHART		203
<b>PINCHER CREEK</b>	(CZPC) AB				
AERODROME CHART		166			
<b>PINEHOUSE LAKE</b>	(CZPO) SK		<b>Ontario</b>		
AERODROME CHART		167			
<b>PORTAGE LA PRAIRIE/SOUTHPORT</b>	(CYPG) MB		<b>ANGLING LAKE/WAPEKEKA</b>	(CKB6) ON	
AERODROME CHART		168	AERODROME CHART		204
<b>PRINCE ALBERT (GLASS FIELD)</b>	(CYPA) SK		<b>ARNPRIOR/SOUTH RENFREW MUNI</b>	(CNP3) ON	
AERODROME CHART		169	AERODROME CHART		205
<b>PROVOST</b>	(CEH6) AB		<b>ATIKOKAN MUNI</b>	(CYIB) ON	
AERODROME CHART		170	AERODROME CHART		206

<b>BARRIE-ORILLIA (LAKE SIMCOE REGIONAL) (CYLS) ON</b>	<b>KITCHENER /WATERLOO (CYKF) ON</b>
AERODROME CHART.....	AERODROME CHART.....
207	243
<b>BAR RIVER (CPF2) ON</b>	<b>LANSLOWNE HOUSE (CYLH) ON</b>
AERODROME CHART.....	AERODROME CHART.....
208	244
<b>BEARSKIN LAKE (CNE3) ON</b>	<b>LEAMINGTON (CLM2) ON</b>
AERODROME CHART.....	AERODROME CHART.....
209	245
<b>BIG TROUT LAKE (CYTL) ON</b>	<b>LINDSAY (CNF4) ON</b>
AERODROME CHART.....	AERODROME CHART.....
210	246
<b>BRAMPTON (CNC3) ON</b>	<b>LONDON (CYXU) ON</b>
AERODROME CHART.....	AERODROME CHART.....
211	247
<b>BRANTFORD (CYFD) ON</b>	<b>MANITOUWADGE (CYMG) ON</b>
AERODROME CHART.....	AERODROME CHART.....
212	248
<b>BROCKVILLE-THOUSAND ISLAND REGIONAL TACKABERRY (CNL3) ON</b>	<b>MANITOWANING/MANITOULIN EAST MUNI (CYEM) ON</b>
AERODROME CHART.....	AERODROME CHART.....
213	249
<b>BURLINGTON AIRPARK (CZBA) ON</b>	<b>MARATHON (CYSP) ON</b>
AERODROME CHART.....	AERODROME CHART.....
214	250
<b>CAT LAKE (CYAC) ON</b>	<b>MIDLAND /HURONIA (CYEE) ON</b>
AERODROME CHART.....	AERODROME CHART.....
215	251
<b>CENTRALIA/JAMES T. FIELD MEMORIAL (CYCE) ON</b>	<b>MOOSONEE (CYMO) ON</b>
AERODROME CHART.....	AERODROME CHART.....
216	252
<b>CHAPLEAU (CYLD) ON</b>	<b>MUSKOKA (CYQA) ON</b>
AERODROME CHART.....	AERODROME CHART.....
217	253
<b>CHATHAM-KENT (CNZ3) ON</b>	<b>MUSKRAT DAM (CZMD) ON</b>
AERODROME CHART.....	AERODROME CHART.....
218	254
<b>COCHRANE (CYCN) ON</b>	<b>NAKINA (CYQN) ON</b>
AERODROME CHART.....	AERODROME CHART.....
219	255
<b>COLLINGWOOD (CNY3) ON</b>	<b>NORTH BAY (CYYB) ON</b>
AERODROME CHART.....	AERODROME CHART.....
220	256
<b>CORNWALL REGIONAL (CYCC) ON</b>	<b>OSHAWA (CYOO) ON</b>
AERODROME CHART.....	AERODROME CHART.....
221	257
<b>DEER LAKE (CYVZ) ON</b>	<b>OTTAWA /CARP (CYRP) ON</b>
AERODROME CHART.....	AERODROME CHART.....
222	258
<b>DRYDEN REGIONAL (CYHD) ON</b>	<b>OTTAWA/MACDONALD-CARTIER INTL (CYOW) ON</b>
AERODROME CHART.....	AERODROME CHART.....
223	259
<b>EARLTON (TIMISKAMING REGIONAL) (CYXR) ON</b>	CARTE D'AERODROME.....
AERODROME CHART.....	260
224	TAXI CHART.....
<b>ELLIOT LAKE MUNI (CYEL) ON</b>	261
AERODROME CHART.....	CARTE DE CIRCULATION.....
225	262
<b>FORT FRANCES MUNI (CYAG) ON</b>	DE-ICING OPERATIONS.....
AERODROME CHART.....	263
226	OPÉRATIONS DE DÉGIVRAGE.....
<b>GERALDTON (GREENSTONE REGIONAL) (CYGQ) ON</b>	264
AERODROME CHART.....	PARKING AREAS.....
227	265
<b>GODERICH (CYGD) ON</b>	AIRES DE STATIONNEMENT.....
AERODROME CHART.....	266
228	<b>OWEN SOUND /BILLY BISHOP REGIONAL (CYOS) ON</b>
<b>GORE BAY-MANITOULIN (CYZE) ON</b>	AERODROME CHART.....
AERODROME CHART.....	267
229	<b>PARRY SOUND AREA MUNI (CNK4) ON</b>
<b>GRIMSBY AIR PARK (CNZ8) ON</b>	AERODROME CHART.....
AERODROME CHART.....	268
230	<b>PELEE ISLAND (CYPT) ON</b>
<b>HAMILTON (CYHM) ON</b>	AERODROME CHART.....
AERODROME CHART.....	269
231	<b>PEMBROKE (CYTA) ON</b>
<b>HANOVER /SAUGEEN MUNI (CPN4) ON</b>	AERODROME CHART.....
AERODROME CHART.....	270
232	<b>PETERBOROUGH (CYPQ) ON</b>
<b>HEARST (RENE FONTAINE) MUNI (CYHF) ON</b>	AERODROME CHART.....
AERODROME CHART.....	271
233	<b>PICKLE LAKE (CYPL) ON</b>
<b>HORNEPAYNE MUNI (CYHN) ON</b>	AERODROME CHART.....
AERODROME CHART.....	272
234	<b>PIKANGIKUM (CYPM) ON</b>
<b>IROQUOIS FALLS (CNE4) ON</b>	AERODROME CHART.....
AERODROME CHART.....	273
235	<b>POPLAR HILL (CPV7) ON</b>
<b>KAPUSKASING (CYYU) ON</b>	AERODROME CHART.....
AERODROME CHART.....	274
236	<b>RED LAKE (CYRL) ON</b>
<b>KASABONIKA (CYAQ) ON</b>	AERODROME CHART.....
AERODROME CHART.....	275
237	<b>ROUND LAKE (WEAGAMOW LAKE) (CZRJ) ON</b>
<b>KENORA (CYQK) ON</b>	AERODROME CHART.....
AERODROME CHART.....	276
238	<b>ST. CATHARINES /NIAGARA DISTRICT (CYSN) ON</b>
<b>KINCARDINE (CNS7) ON</b>	AERODROME CHART.....
AERODROME CHART.....	277
239	<b>ST. THOMAS MUNI (CYQS) ON</b>
<b>KINGFISHER LAKE (CNM5) ON</b>	AERODROME CHART.....
AERODROME CHART.....	278
240	<b>SANDY LAKE (CZSJ) ON</b>
<b>KINGSTON (CYGK) ON</b>	AERODROME CHART.....
AERODROME CHART.....	279
241	<b>SARNIA (CHRIS HADFIELD) (CYZR) ON</b>
<b>KIRKLAND LAKE (CYKX) ON</b>	AERODROME CHART.....
AERODROME CHART.....	280
242	<b>SAULT STE. MARIE (CYAM) ON</b>
	AERODROME CHART.....
	281
	<b>SIoux LOOKOUT (CYXL) ON</b>
	AERODROME CHART.....
	282

<b>SLATE FALLS</b> (CKD9) ON	
AERODROME CHART	283
<b>SMITHS FALLS-MONTAGUE (RUSS BEACH) (CYSH) ON</b>	
AERODROME CHART	284
<b>SPRINGWATER (BARRIE AIRPARK) (CNA3) ON</b>	
AERODROME CHART	285
<b>STRATFORD MUNI (CNM4) ON</b>	
AERODROME CHART	286
<b>SUDBURY (CYSB) ON</b>	
AERODROME CHART	287
<b>SUMMER BEAVER (CJV7) ON</b>	
AERODROME CHART	288
<b>THUNDER BAY (CYQT) ON</b>	
AERODROME CHART	289
<b>TILLSONBURG (YNQ4) ON</b>	
AERODROME CHART	290
<b>TIMMINS/ VICTOR M. POWER (CYTS) ON</b>	
AERODROME CHART	291
<b>TORONTO/BUTTONVILLE MUNI (CYKZ) ON</b>	
AERODROME CHART	292
<b>TORONTO/BILLY BISHOP TORONTO CITY AIRPORT (CYTZ) ON</b>	
AERODROME CHART	293
<b>TORONTO/DOWNSVIEW (CYZD) ON</b>	
AERODROME CHART	294
<b>TORONTO/LESTER B. PEARSON INTL (CYYZ) ON</b>	
AERODROME CHART	295
AERODROME CHART (HIRO)	296
AERODROME CHART (REDUCED TAKE-OFF DISTANCES)	297
TAXI CHART (PAGE 1)	298
TAXI CHART (PAGE 2)	299
STANDARD TAXI ROUTE CHART (ROUTE 5)	300
STANDARD TAXI ROUTE CHART (ROUTE 6)	301
STANDARD TAXI ROUTE CHART (ROUTE 23)	302
STANDARD TAXI ROUTE CHART (ROUTE 24)	303
CENTRAL DE-ICING FACILITY	304
LOW VISIBILITY PROCEDURES	305
LOW VISIBILITY TAXI CHART LAND 05 DEPART 05306	
LOW VISIBILITY TAXI CHART LAND 06L DEPART 06L 307	
LOW VISIBILITY TAXI CHART LAND 06L DEPART 33R 308	
PARKING AREAS (TERMINAL 1)	309
PARKING AREAS (TERMINAL 1 EAST SATELLITE)	310
PARKING AREAS (TERMINAL 3)	311
PARKING AREAS (INFIELD)	312
PARKING AREAS (FEDEX)	313
COMMUTER PARKING AREAS	314
<b>TRENTON (CYTR) ON</b>	
AERODROME CHART (DND)	315
PARKING AREAS (DND)	316
<b>WAWA (CYXZ) ON</b>	
AERODROME CHART	317
<b>WELLAND/NIAGARA CENTRAL (CNQ3) ON</b>	
AERODROME CHART	318
<b>WIARTON (CYVV) ON</b>	
AERODROME CHART	319
<b>WINDSOR (CYQG) ON</b>	
AERODROME CHART	320
<b>WINGHAM/RICHARD W. LEVAN (CPR7) ON</b>	
AERODROME CHART	321
<b>WUNNUMIN LAKE (CKL3) ON</b>	
AERODROME CHART	322
<b>Quebec / Québec</b>	
<b>AKULIVIK (CYKO) QC</b>	
AERODROME CHART	323
CARTE D'AÉRODROME	324
<b>ALMA (CYTF) QC</b>	
AERODROME CHART	325
CARTE D'AÉRODROME	326
<b>AMOS/MAGNY (CYEY) QC</b>	
AERODROME CHART	327
CARTE D'AÉRODROME	328
<b>AUPALUK (CYLA) QC</b>	
AERODROME CHART	329
CARTE D'AÉRODROME	330
<b>BAGOTVILLE (CYBG) QC</b>	
AERODROME CHART	331
CARTE D'AÉRODROME	332
<b>BAIE-COMEAU (CYBC) QC</b>	
AERODROME CHART	333
CARTE D'AÉRODROME	334
<b>BONAVENTURE (CYVB) QC</b>	
AERODROME CHART	335
CARTE D'AÉRODROME	336
<b>BROMONT (CZBM) QC</b>	
AERODROME CHART	337
CARTE D'AÉRODROME	338
<b>CHARLEVOIX (CYML) QC</b>	
AERODROME CHART	339
CARTE D'AÉRODROME	340
<b>CHEVERY (CYHR) QC</b>	
AERODROME CHART	341
CARTE D'AÉRODROME	342
<b>CHIBOUGAMAU/CHAPAIS (CYMT) QC</b>	
AERODROME CHART	343
CARTE D'AÉRODROME	344
<b>CHICOUTIMI/ST-HONORÉ (CYRC) QC</b>	
AERODROME CHART	345
CARTE D'AÉRODROME	346
<b>CHISASIBI (CSU2) QC</b>	
AERODROME CHART	347
CARTE D'AÉRODROME	348
<b>DOLBEAU-ST-FÉLICIEN (CYDO) QC</b>	
AERODROME CHART	349
CARTE D'AÉRODROME	350
<b>DRUMMONDVILLE (CSC3) QC</b>	
AERODROME CHART	351
CARTE D'AÉRODROME	352
<b>DU ROCHER-PERCÉ (PABOK) (CTG3) QC</b>	
AERODROME CHART	353
CARTE D'AÉRODROME	354
<b>EASTMAIN RIVER (CZEM) QC</b>	
AERODROME CHART	355
CARTE D'AÉRODROME	356
<b>FONTANGES (CTU2) QC</b>	
AERODROME CHART	357
CARTE D'AÉRODROME	358
<b>GASPÉ (CYGP) QC</b>	
AERODROME CHART	359
CARTE D'AÉRODROME	360
<b>HAVRE ST-PIERRE (CYGV) QC</b>	
AERODROME CHART	361
CARTE D'AÉRODROME	362
<b>ÎLES-DE-LA-MADELEINE (CYGR) QC</b>	
AERODROME CHART	363
CARTE D'AÉRODROME	364
<b>INUKJUAQ (CYPH) QC</b>	
AERODROME CHART	365
CARTE D'AÉRODROME	366
<b>IVUJIVIK (CYIK) QC</b>	
AERODROME CHART	367
CARTE D'AÉRODROME	368
<b>KANGISQUALUJUAQ (GEORGES RIVER) (CYLU) QC</b>	
AERODROME CHART	369
CARTE D'AÉRODROME	370
<b>KANGISQUJUAQ (WAKEHAM BAY) (CYKG) QC</b>	
AERODROME CHART	371
CARTE D'AÉRODROME	372
<b>KANGIRSUK (CYAS) QC</b>	
AERODROME CHART	373
CARTE D'AÉRODROME	374
<b>KATTINIQ/DONALDSON (CTP9) QC</b>	
AERODROME CHART	375
CARTE D'AÉRODROME	376

<b>KEGASKA</b>	<b>(CTK6) QC</b>		<b>MONTRÉAL/ST-HUBERT</b>	<b>(CYHU) QC</b>	
AERODROME CHART .....		377	AERODROME CHART .....		431
CARTE D'AÉRODROME .....		378	CARTE D'AÉRODROME .....		432
<b>KUUJJUAQ</b>	<b>(CYVP) QC</b>		<b>NATASHQUAN</b>	<b>(CYNA) QC</b>	
AERODROME CHART .....		379	AERODROME CHART .....		433
CARTE D'AÉRODROME .....		380	CARTE D'AÉRODROME .....		434
<b>KUUJJUARAPIK</b>	<b>(CYGW) QC</b>		<b>NEMISCAU</b>	<b>(CYHH) QC</b>	
AERODROME CHART .....		381	AERODROME CHART .....		435
CARTE D'AÉRODROME .....		382	CARTE D'AÉRODROME .....		436
<b>LACHUTE</b>	<b>(CSE4) QC</b>		<b>OTTAWA/GATINEAU</b>	<b>(CYND) QC</b>	
AERODROME CHART .....		383	AERODROME CHART .....		437
CARTE D'AÉRODROME .....		384	CARTE D'AÉRODROME .....		438
<b>LA GRANDE RIVIÈRE</b>	<b>(CYGL) QC</b>		<b>PORT-MENIER</b>	<b>(CYPN) QC</b>	
AERODROME CHART .....		385	AERODROME CHART .....		439
CARTE D'AÉRODROME .....		386	CARTE D'AÉRODROME .....		440
<b>LA GRANDE-3</b>	<b>(CYAD) QC</b>		<b>POSTE MONTAGNAIS</b>	<b>(CSF3) QC</b>	
AERODROME CHART .....		387	AERODROME CHART .....		441
CARTE D'AÉRODROME .....		388	CARTE D'AÉRODROME .....		442
<b>LA GRANDE-4</b>	<b>(CYAH) QC</b>		<b>PUVIRNITUQ</b>	<b>(CYPX) QC</b>	
AERODROME CHART .....		389	AERODROME CHART .....		443
CARTE D'AÉRODROME .....		390	CARTE D'AÉRODROME .....		444
<b>LA ROMAINE</b>	<b>(CTT5) QC</b>		<b>QUAQTAQ</b>	<b>(CYHA) QC</b>	
AERODROME CHART .....		391	AERODROME CHART .....		445
CARTE D'AÉRODROME .....		392	CARTE D'AÉRODROME .....		446
<b>LA SARRÉ</b>	<b>(CSR8) QC</b>		<b>QUÉBEC/JEAN LESAGE INTL</b>	<b>(CYQB) QC</b>	
AERODROME CHART .....		393	AERODROME CHART .....		447
CARTE D'AÉRODROME .....		394	CARTE D'AÉRODROME .....		448
<b>LEBEL-SUR-QUÉVILLON</b>	<b>(CSH4) QC</b>		PARKING AREAS .....		449
AERODROME CHART .....		395	AIRES DE STATIONNEMENT .....		450
CARTE D'AÉRODROME .....		396	<b>RIMOUSKI</b>	<b>(CYXK) QC</b>	
<b>LOURDES-DE-BLANC-SABLON</b>	<b>(CYBX) QC</b>		AERODROME CHART .....		451
AERODROME CHART .....		397	CARTE D'AÉRODROME .....		452
CARTE D'AÉRODROME .....		398	<b>RIVIÈRE-AUX-SAUMONS</b>	<b>(CTH7) QC</b>	
<b>MANIWAKI</b>	<b>(CYMW) QC</b>		AERODROME CHART .....		453
AERODROME CHART .....		399	CARTE D'AÉRODROME .....		454
CARTE D'AÉRODROME .....		400	<b>RIVIÈRE-DU-LOUP</b>	<b>(CYRI) QC</b>	
<b>MATAGAMI</b>	<b>(CYNM) QC</b>		AERODROME CHART .....		455
AERODROME CHART .....		401	CARTE D'AÉRODROME .....		456
CARTE D'AÉRODROME .....		402	<b>RIVIÈRE ROUGE/MONT-TREMBLANT INTL INC (CYFJ) QC</b>		
<b>MATANE</b>	<b>(CYME) QC</b>		AERODROME CHART .....		457
AERODROME CHART .....		403	CARTE D'AÉRODROME .....		458
CARTE D'AÉRODROME .....		404	<b>ROBERVAL</b>	<b>(CYRJ) QC</b>	
<b>MONT-JOLI</b>	<b>(CYYY) QC</b>		AERODROME CHART .....		459
AERODROME CHART .....		405	CARTE D'AÉRODROME .....		460
CARTE D'AÉRODROME .....		406	<b>ROUYN-NORANDA</b>	<b>(CYUY) QC</b>	
<b>MONT-LAURIER</b>	<b>(CSD4) QC</b>		AERODROME CHART .....		461
AERODROME CHART .....		407	CARTE D'AÉRODROME .....		462
CARTE D'AÉRODROME .....		408	<b>STE-ANNE-DES-MONTS</b>	<b>(CYSZ) QC</b>	
<b>MONTRÉAL INTL (MIRABEL)</b>	<b>(CYMX) QC</b>		AERODROME CHART .....		463
AERODROME CHART .....		409	CARTE D'AÉRODROME .....		464
CARTE D'AÉRODROME .....		410	<b>ST-AUGUSTIN</b>	<b>(CYIF) QC</b>	
PARKING AREAS .....		411	AERODROME CHART .....		465
AIRES DE STATIONNEMENT .....		412	CARTE D'AÉRODROME .....		466
<b>MONTRÉAL/PIERRE ELLIOTT TRUDEAU INTL (CYUL) QC</b>			<b>ST-BRUNO-DE-GUIGUES</b>	<b>(CTA4) QC</b>	
AERODROME CHART .....		413	AERODROME CHART .....		467
CARTE D'AÉRODROME .....		414	CARTE D'AÉRODROME .....		468
TAXI CHART .....		415	<b>ST-GEORGES</b>	<b>(CYSG) QC</b>	
CARTE DE CIRCULATIONS .....		416	AERODROME CHART .....		469
OPS IN THE ABSENCE OF APRN CTRL .....		417	CARTE D'AÉRODROME .....		470
OPS EN L'ABSENCE DE CTRL SUR L'AIRE DE TFC418 .....		418	<b>ST-JEAN</b>	<b>(CYJN) QC</b>	
LOW VISIBILITY PROCEDURES (PG 1) .....		419	AERODROME CHART .....		471
LOW VISIBILITY PROCEDURES (PG 2) .....		420	CARTE D'AÉRODROME .....		472
LOW VISIBILITY TAXI CHART .....		421	<b>SALLUIT</b>	<b>(CYZG) QC</b>	
PROCÉDURES EN CONDITIONS DE FAIBLE VISIBILITÉ (PG 1) .....		422	AERODROME CHART .....		473
PROCÉDURES EN CONDITIONS DE FAIBLE VISIBILITÉ (PG 2) .....		423	CARTE D'AÉRODROME .....		474
CARTE DE CIRCULATION EN CONDITIONS DE FAIBLE VISIBILITÉ .....		424	<b>SCHEFFERVILLE</b>	<b>(CYKL) QC</b>	
PARKING AREAS .....		425	AERODROME CHART .....		475
PARKING CENTRE AREAS AND DE-ICING POSITIONS AND PROCEDURES .....		426	CARTE D'AÉRODROME .....		476
AIRES DE STATIONNEMENT .....		427	<b>SEPT-ÎLES</b>	<b>(CYZV) QC</b>	
AIRES DE STATIONNEMENT .....		428	AERODROME CHART .....		477
START BOXES .....		429	CARTE D'AÉRODROME .....		478
POINTS DE DÉPART .....		430	<b>SHERBROOKE</b>	<b>(CYSC) QC</b>	
			AERODROME CHART .....		479
			CARTE D'AÉRODROME .....		480



<b>TASIUJAQ</b>	<b>(CYTQ) QC</b>		<b>HALIFAX/SHEARWATER</b>	<b>(CYAW) NS</b>
AERODROME CHART .....		481	AERODROME CHART (DND) .....	521
CARTE D'AÉRODROME .....		482	<b>LIVERPOOL/SOUTH SHORE REGIONAL</b>	<b>(CYAU) NS</b>
<b>THETFORD MINES</b>	<b>(CSM3) QC</b>		AERODROME CHART .....	522
AERODROME CHART .....		483	<b>LONG POND</b>	<b>(CCX2) NL</b>
CARTE D'AÉRODROME .....		484	AERODROME CHART .....	523
<b>TROIS-RIVIÈRES</b>	<b>(CYRQ) QC</b>		<b>MAKKOVIK</b>	<b>(CYFT) NL</b>
AERODROME CHART .....		485	AERODROME CHART .....	524
CARTE D'AÉRODROME .....		486	<b>MARY'S HARBOUR</b>	<b>(CYMH) NL</b>
<b>UMIUJAQ</b>	<b>(CYMU) QC</b>		AERODROME CHART .....	525
AERODROME CHART .....		487	<b>MIRAMICHI</b>	<b>(CYCH) NB</b>
CARTE D'AÉRODROME .....		488	AERODROME CHART .....	526
<b>VAL-D'OR</b>	<b>(CYVO) QC</b>		<b>MONCTON/GREATER MONCTON INTL</b>	<b>(CYQM) NB</b>
AERODROME CHART .....		489	AERODROME CHART .....	527
CARTE D'AÉRODROME .....		490	PARKING AREAS .....	528
<b>VICTORIAVILLE</b>	<b>(CSR3) QC</b>		<b>NAIN</b>	<b>(CYDP) NL</b>
AERODROME CHART .....		491	AERODROME CHART .....	529
CARTE D'AÉRODROME .....		492	<b>NATUASHISH</b>	<b>(CNH2) NL</b>
<b>WASKAGANISH</b>	<b>(CYKQ) QC</b>		AERODROME CHART .....	530
AERODROME CHART .....		493	<b>POKEMOUCHE</b>	<b>(CDA4) NB</b>
CARTE D'AÉRODROME .....		494	AERODROME CHART .....	531
<b>WEMINDJI</b>	<b>(CYNC) QC</b>		<b>PORT HAWKESBURY</b>	<b>(CYPD) NS</b>
AERODROME CHART .....		495	AERODROME CHART .....	532
CARTE D'AÉRODROME .....		496	<b>PORT HOPE SIMPSON</b>	<b>(CCP4) NL</b>
			AERODROME CHART .....	533
			<b>POSTVILLE</b>	<b>(CCD4) NL</b>
			AERODROME CHART .....	534
			<b>SAINT JOHN</b>	<b>(CYSJ) NB</b>
			AERODROME CHART .....	535
			<b>ST. ANDREWS (CODROY VALLEY)</b>	<b>(CDA5) NL</b>
			AERODROME CHART .....	536
			<b>ST. ANTHONY</b>	<b>(CYAV) NL</b>
			AERODROME CHART .....	537
			<b>ST. JOHN'S INTL NEWFOUNDLAND</b>	<b>(CYYT) NL</b>
			AERODROME CHART .....	538
			DE-ICING OPERATIONS .....	539
			<b>ST. LEONARD</b>	<b>(CYSL) NB</b>
			AERODROME CHART .....	540
			<b>ST. LEWIS (FOX HARBOUR)</b>	<b>(CCK4) NL</b>
			AERODROME CHART .....	541
			<b>STEPHENVILLE</b>	<b>(CYJT) NL</b>
			AERODROME CHART .....	542
			<b>SUMMERSIDE</b>	<b>(CYSU) PE</b>
			AERODROME CHART .....	543
			<b>SYDNEY/J.A. DOUGLAS MCCURDY</b>	<b>(CYQY) NS</b>
			AERODROME CHART .....	544
			<b>TRENTON</b>	<b>(CYTN) NS</b>
			AERODROME CHART .....	545
			<b>WABUSH</b>	<b>(CYWK) NL</b>
			AERODROME CHART .....	546
			<b>WATERVILLE/KINGS CO MUNI</b>	<b>(CCW3) NS</b>
			AERODROME CHART .....	547
			<b>WILLIAMS HARBOUR</b>	<b>(CCA6) NL</b>
			AERODROME CHART .....	548
			<b>WINTERLAND</b>	<b>(CCC2) NL</b>
			AERODROME CHART .....	549
			<b>YARMOUTH</b>	<b>(CYQI) NS</b>
			AERODROME CHART .....	550

**Atlantic Provinces / Provinces Atlantiques**

<b>BATHURST</b>	<b>(CZBF) NB</b>			
AERODROME CHART .....		497		
<b>BLACK TICKLE</b>	<b>(CCE4) NL</b>			
AERODROME CHART .....		498		
<b>CARTWRIGHT</b>	<b>(CYCA) NL</b>			
AERODROME CHART .....		499		
<b>CHARLO</b>	<b>(CYCL) NB</b>			
AERODROME CHART .....		500		
<b>CHARLOTTETOWN</b>	<b>(CCH4) NL</b>			
AERODROME CHART .....		501		
<b>CHARLOTTETOWN</b>	<b>(CYYG) PE</b>			
AERODROME CHART .....		502		
<b>CHURCHILL FALLS</b>	<b>(CZUM) NL</b>			
AERODROME CHART .....		503		
<b>CLARENVILLE</b>	<b>(CCZ3) NL</b>			
AERODROME CHART .....		504		
<b>DEBERT</b>	<b>(CCQ3) NS</b>			
AERODROME CHART .....		505		
<b>DEER LAKE</b>	<b>(CYDF) NL</b>			
AERODROME CHART .....		506		
<b>DIGBY</b>	<b>(CYID) NS</b>			
AERODROME CHART .....		507		
<b>EXPLOITS VALLEY (BOTWOOD)</b>	<b>(CCP2) NL</b>			
AERODROME CHART .....		508		
<b>FOGO</b>	<b>(CDY3) NL</b>			
AERODROME CHART .....		509		
<b>FREDERICTON INTL</b>	<b>(CYFC) NB</b>			
AERODROME CHART .....		510		
<b>GANDER INTL</b>	<b>(CYQX) NL</b>			
AERODROME CHART .....		511		
PARKING AREAS .....		512		
<b>GOOSE BAY</b>	<b>(CYJR) NL</b>			
AERODROME CHART (DND) .....		513		
PARKING AREAS (DND) .....		514		
<b>GRAND MANAN</b>	<b>(CCN2) NB</b>			
AERODROME CHART .....		515		
<b>GREENWOOD</b>	<b>(CYZX) NS</b>			
AERODROME CHART (DND) .....		516		
PARKING AREAS (DND) .....		517		
<b>HALIFAX (QUEEN ELIZABETH II HEALTH SCIENCE CENTRE)</b>				
(HELI)	<b>(CHQE) NS</b>			
AERODROME CHART .....		518		
<b>HALIFAX/STANFIELD INTL</b>	<b>(CYHZ) NS</b>			
AERODROME CHART .....		519		
PARKING AREAS .....		520		

## **Preface**

NAV CANADA, as the office responsible for the publication and distribution of aeronautical information, has decided to make aerodrome diagrams readily available to general aviation pilots through its website. This move will contribute to enhance aviation safety and will help to mitigate some of the risks associated with runway incursions.

## **Préface**

NAV CANADA, en tant que responsable de la publication et de la distribution de l'information aéronautique, a décidé de mettre les schémas d'aérodrome à la disponibilité des pilotes d'aviation générale par l'intermédiaire de son site Web. Cette décision contribuera à accroître la sécurité aérienne et aidera à atténuer certains des risques associés aux incursions sur piste.

# AERODROME CHART LEGEND

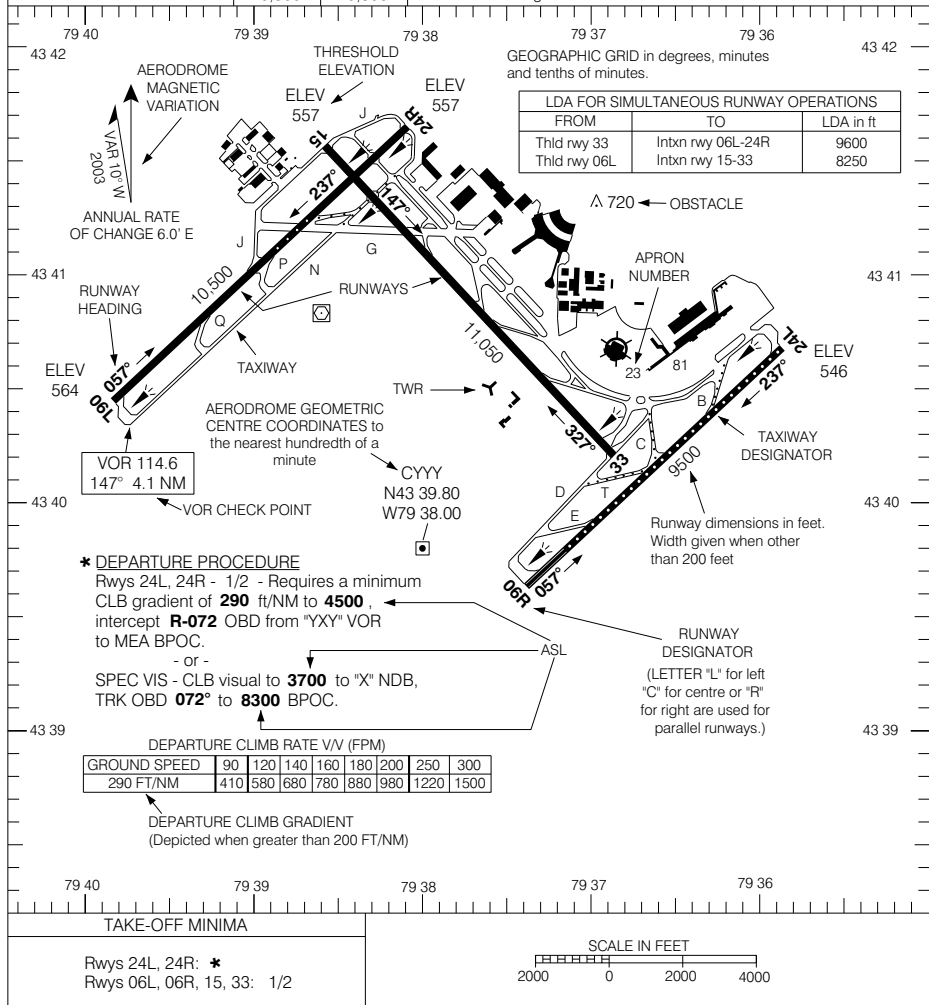
## AERODROME CHART

AERODROME NAME → SUMSPOT INTL  
 COMMUNITY NAME → SUMSPOT AB

<b>VOT</b> 114.8	<b>ATIS</b> 114.5 (Eng) 265.6 114.8 (Fr) 326.3	<b>CLNC DEL</b> 121.3	<b>GND</b> 121.9 121.65 275.8	<b>TORONTO TWR</b> 118.35 118.7 236.6	<b>DEP</b> 128.8 127.575 363.8
---------------------	--	--------------------------	-------------------------------------	---	--------------------------------------

COMMUNICATION AGENCIES with PRIMARY FREQUENCIES are listed from left to right in order of expected use on departure. **☉** means limited hours of operation. See Canada Flight Supplement for actual hours of operation and of all available frequencies.

DECLARED DISTANCES	06L	24R	
TORA	10,500	10,500	← TORA - Take Off Run Available
TODA	11,300	11,500	← TODA - Take Off Distance Available
ASDA	10,500	10,500	← ASDA - Accelerate Stop Distance Available
LDA	10,500	10,500	← LDA - Landing Distance Available



# AERODROME CHART LEGEND

## LÉGENDE DES CARTES D'AÉRODROME

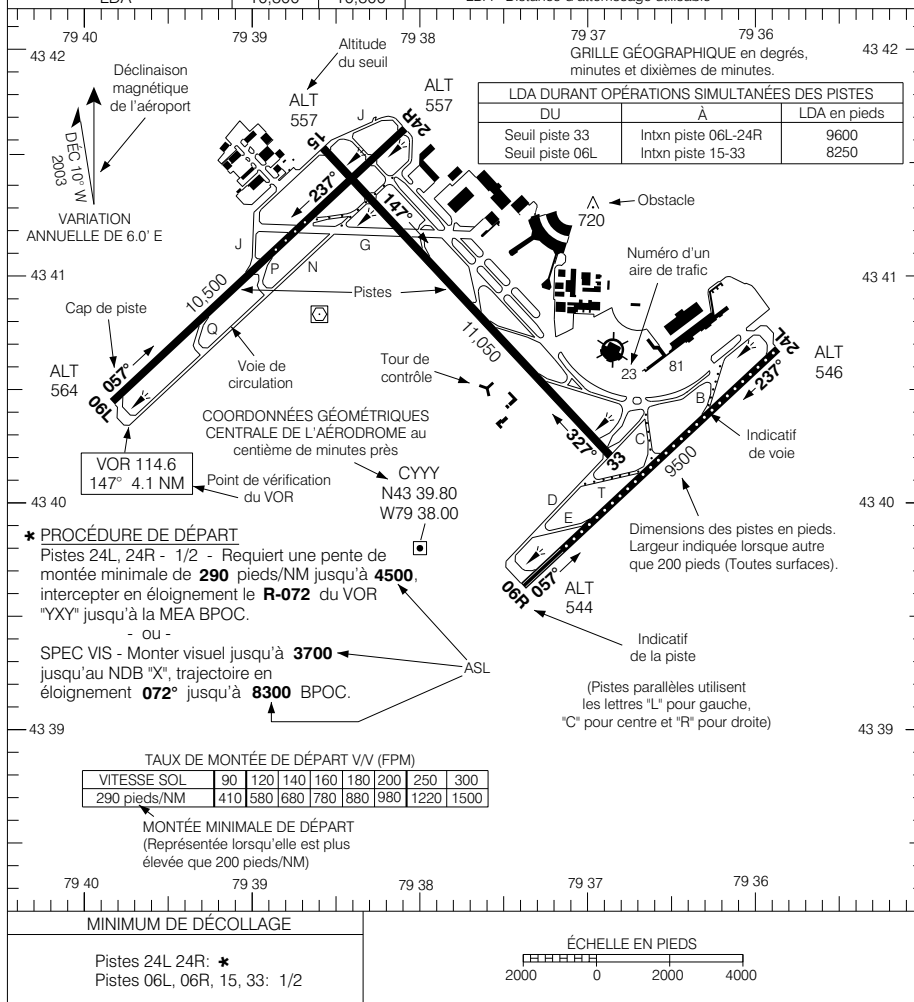
### CARTE D'AÉRODROME

NOM DE L'AÉRODROME → KECPART INTL  
 NOM DE LA LOCALITÉ → CITÉ QC

<b>VOT</b> 114.8	<b>ATIS</b> 114.8 (Fr) 265.6 114.5 (Ang) 326.3	<b>CLNC DEL</b> 121.3	<b>AIRE DE TRAFIC</b> 122.4	<b>SOL</b> 121.9 275.8	<b>TOUR</b> 118.7 236.6	<b>DÉP</b> 119.9 363.8
---------------------	--	--------------------------	--------------------------------	------------------------------	-------------------------------	------------------------------

Les UNITÉS DE COMMUNICATION dotés de FRÉQUENCES PRINCIPALES sont indiqués de gauche à droite dans l'ordre d'utilisation prévu au départ. ● indique fonctionnement à heures limitées. Consulter le Supplément de vol Canada pour les heures d'opération et la liste des fréquences disponibles.

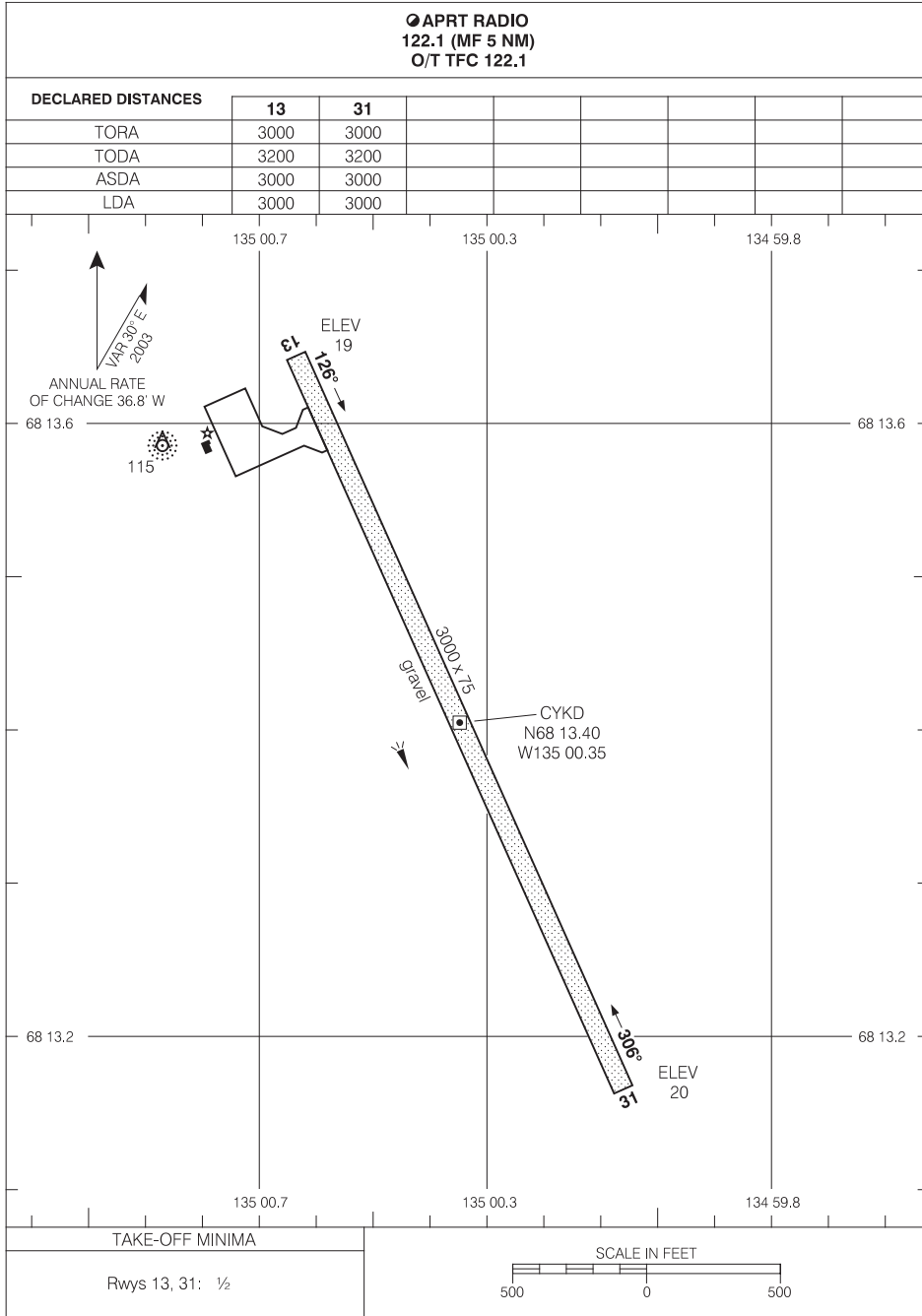
DISTANCES DÉCLARÉES	06L	24R	
TORA	10,500	10,500	← TORA - Longueur de roulement utilisable au décollage
TODA	11,300	11,500	← TODA - Distance de décollage utilisable
ASDA	10,500	10,500	← ASDA - Distance accélération-arrêt utilisable
LDA	10,500	10,500	← LDA - Distance d'atterrissage utilisable



## LÉGENDE DES CARTES D'AÉRODROME

# AERODROME CHART

AKLAVIK/FREDDIE CARMICHAEL  
AKLAVIK NT



# AERODROME CHART

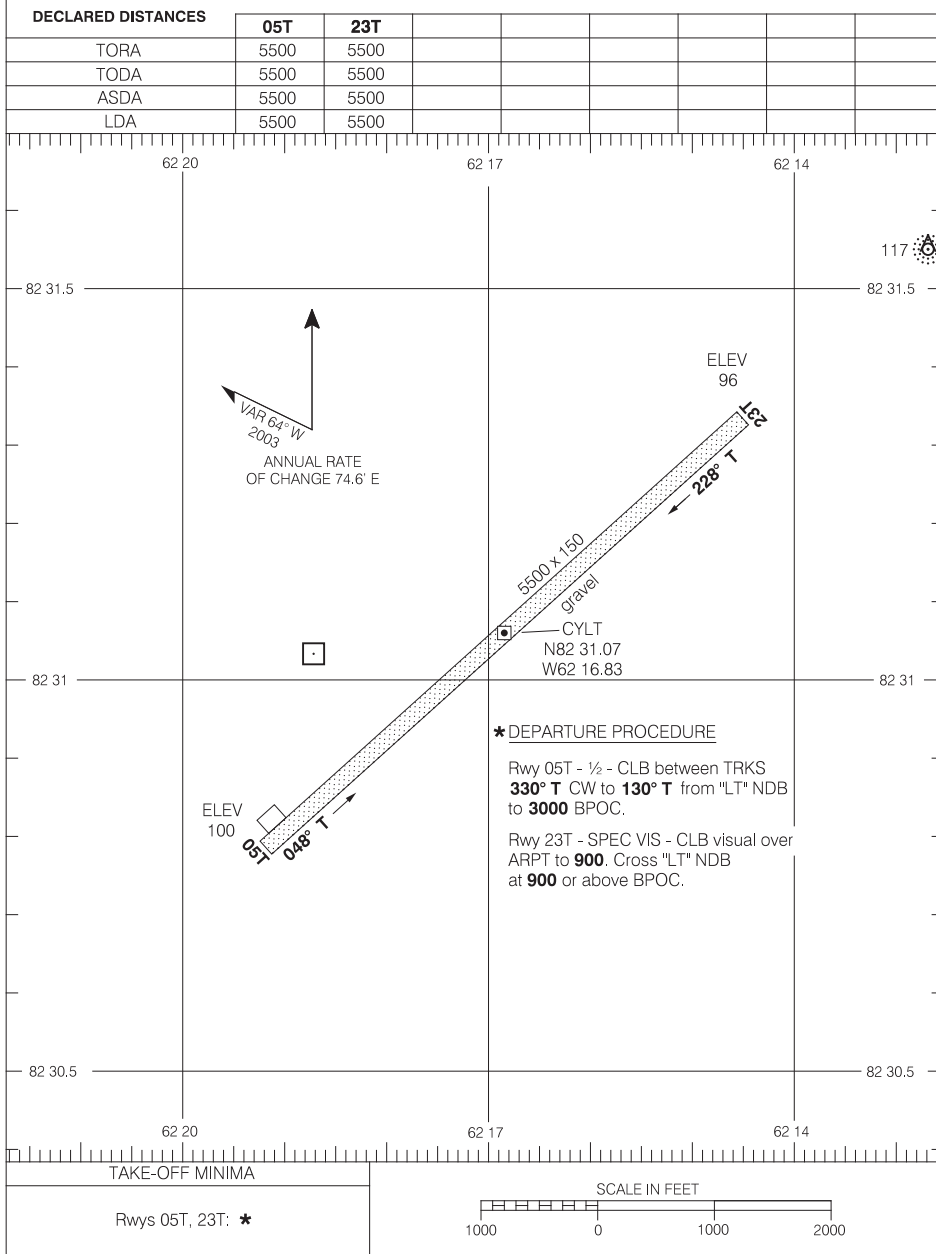
AKLAVIK NT  
AKLAVIK/FREDDIE CARMICHAEL  
NAD83

EFF 5 JUN 08 CHANGE: Aerodrome name

# AERODROME CHART (DND)

ALERT  
ALERT NU

No control. Contact ALERT RADIO on 5680 or 126.7  
(available on 3 hrs notice from RESOLUTE or THULE)  
within 15 mins of ETA and prior to descent. Report Intentions.



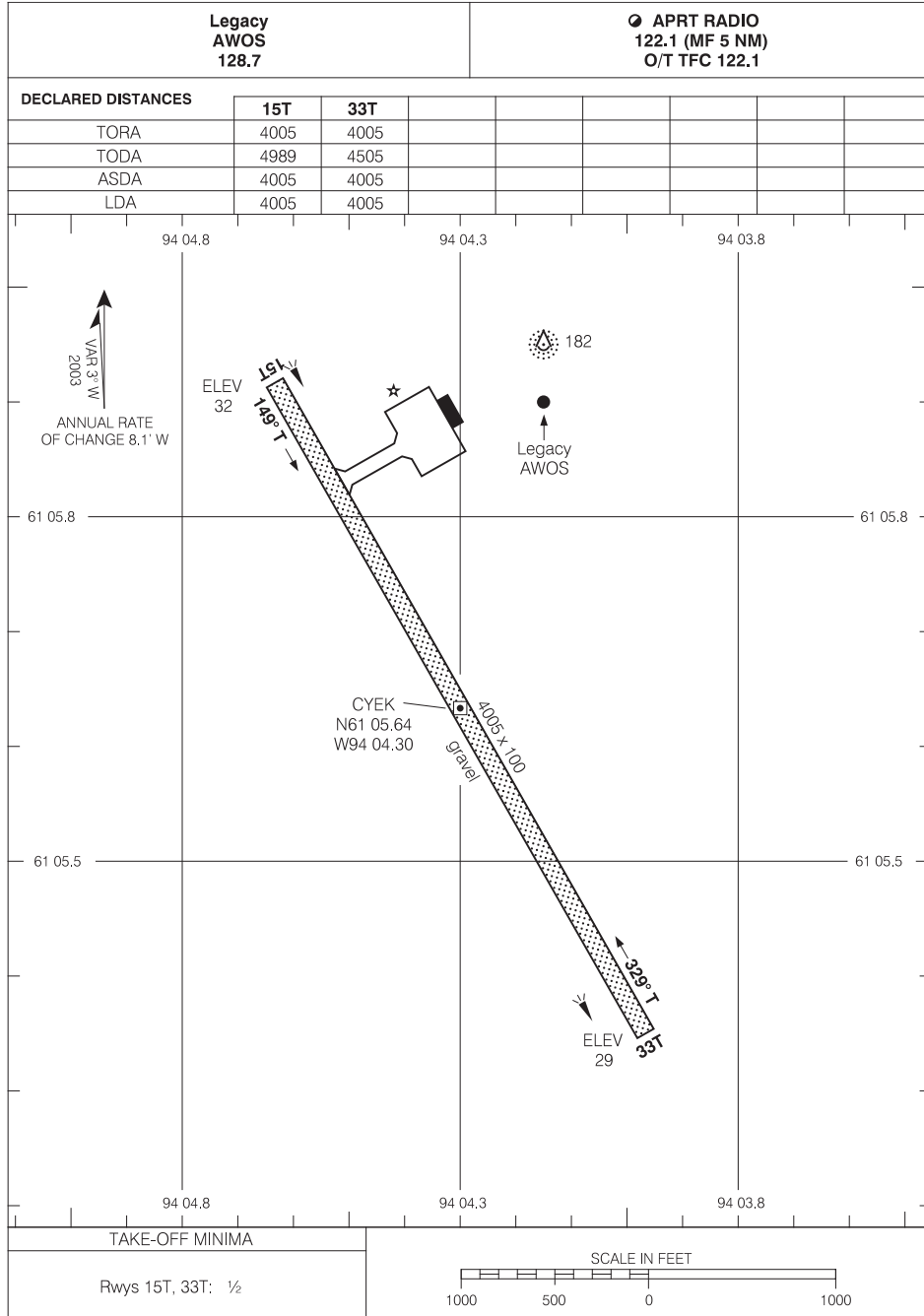
# AERODROME CHART (DND)

ALERT NU  
ALERT  
NAD83

EFF 20 NOV 08 CHANGE: Tacan replaced by DME

# AERODROME CHART

ARVIAT  
ARVIAT NU



Source of Canadian Civil Aeronautical Data : © 2010 NAV CANADA All rights reserved

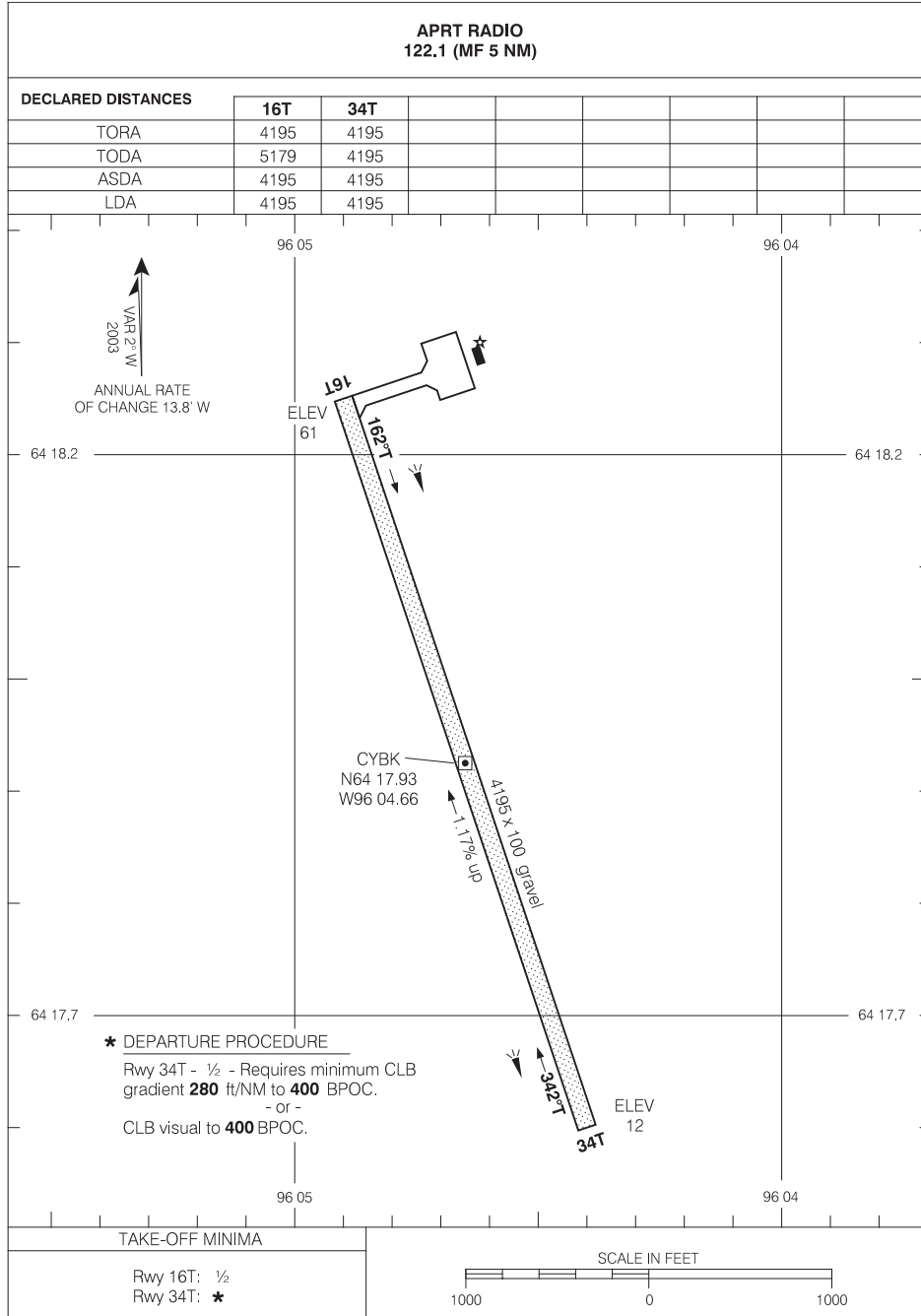
# AERODROME CHART

ARVIAT NU  
ARVIAT  
NAD83

EFF 17 DEC 09 CHANGE: Rwy length, declared distances, AGCC

# AERODROME CHART

BAKER LAKE  
BAKER LAKE NU



# AERODROME CHART

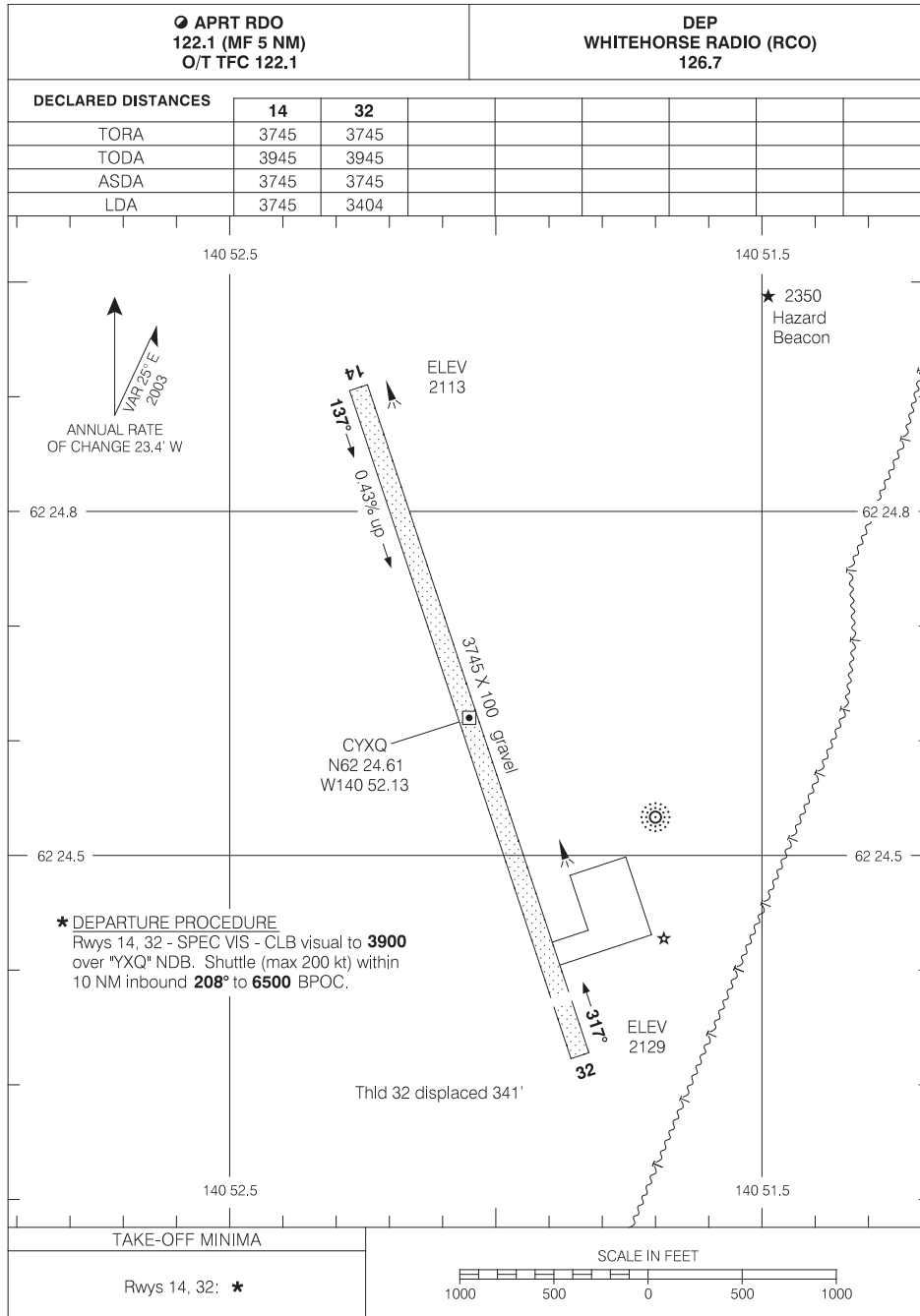
BAKER LAKE NU  
BAKER LAKE  
NAD83

EFF 17 DEC 09 CHANGE: Revised



# AERODROME CHART

BEAVER CREEK  
BEAVER CREEK YT



Source of Canadian Civil Aeronautical Data : © 2010 NAV CANADA All rights reserved

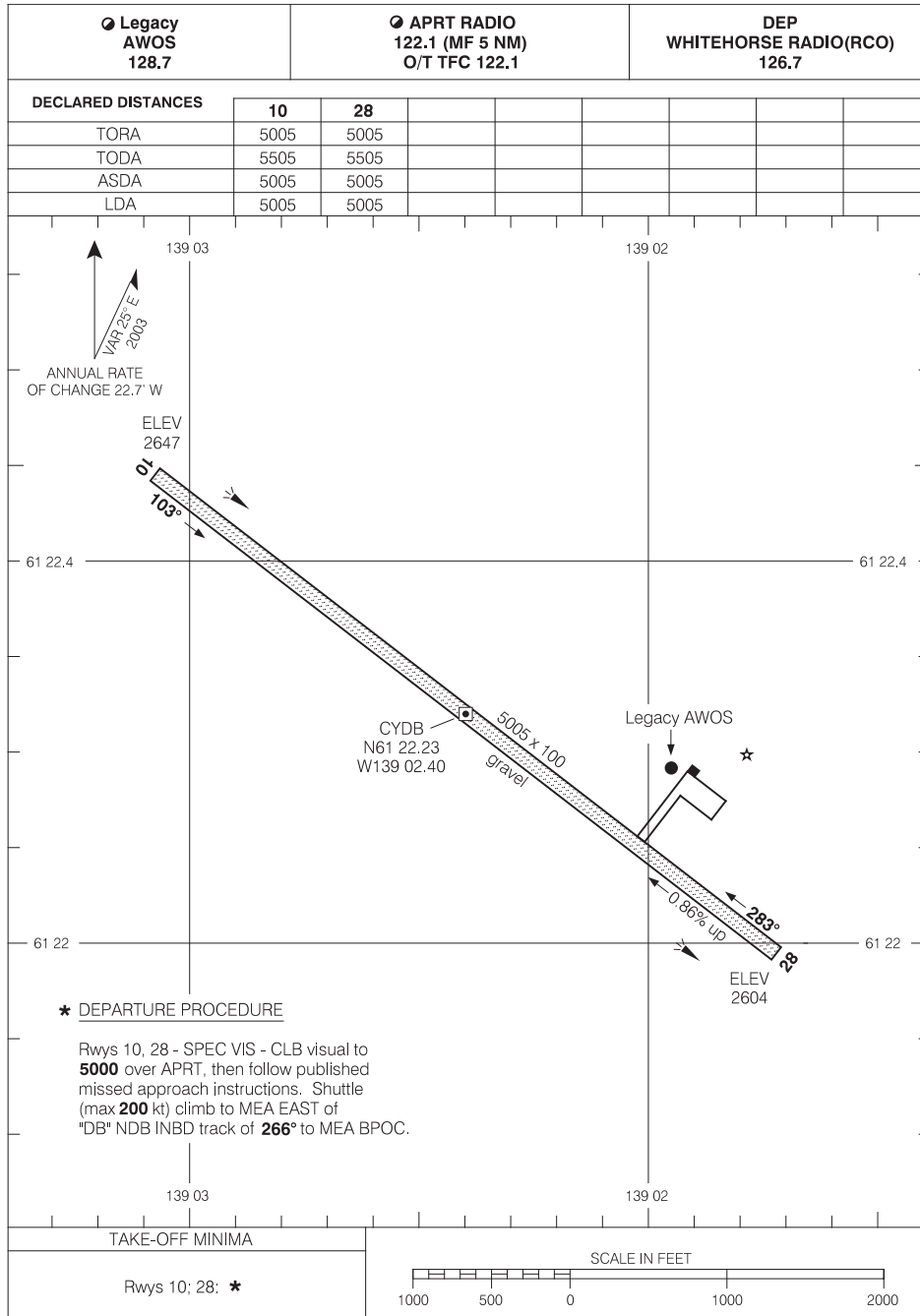
# AERODROME CHART

BEAVER CREEK YT  
BEAVER CREEK  
NAD83

EFF 22 OCT 09 CHANGE: Revised

# AERODROME CHART

BURWASH  
BURWASH YT



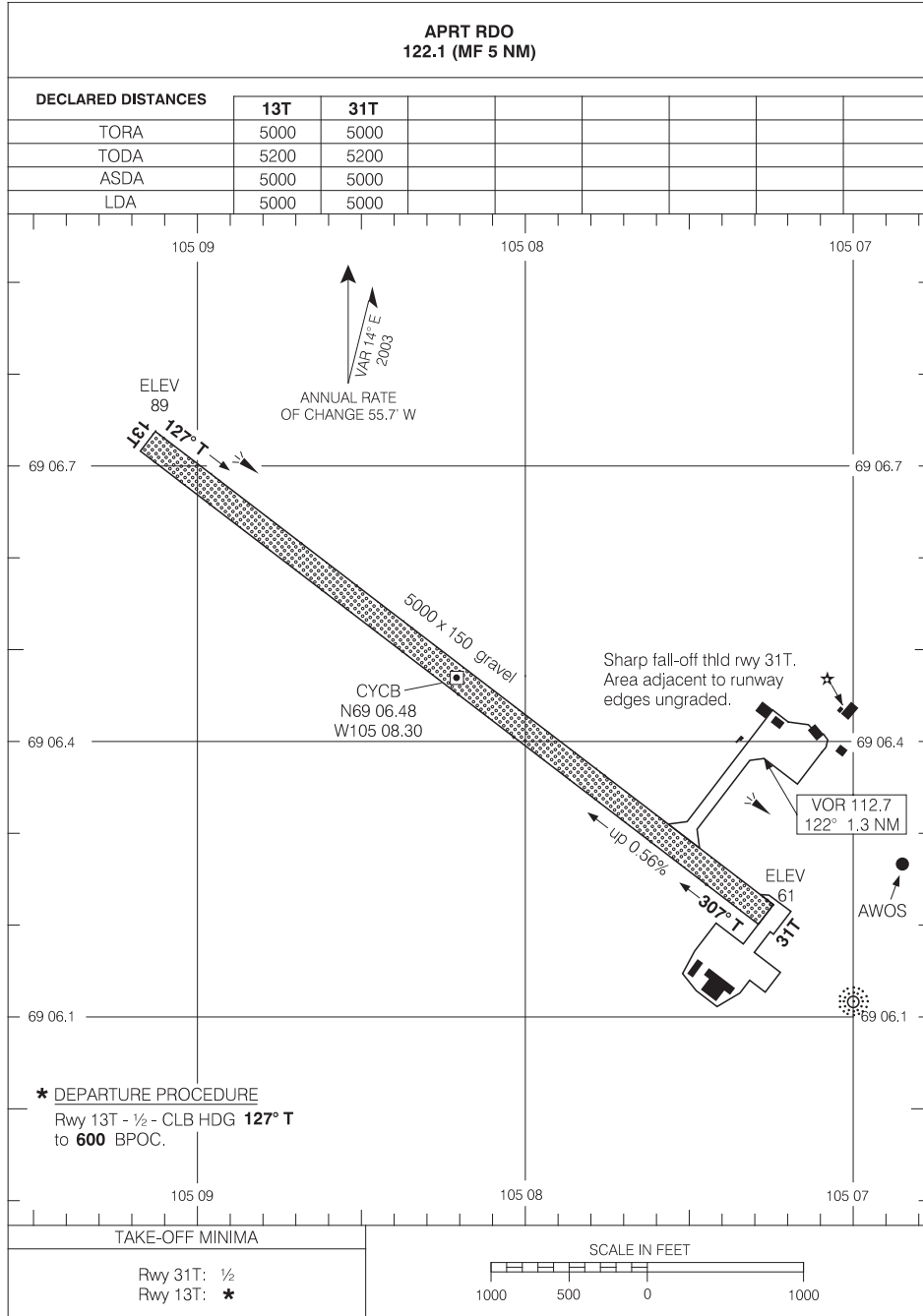
# AERODROME CHART

BURWASH YT  
BURWASH  
NAD83

EFF 20 NOV 08 CHANGE: AWOS

# AERODROME CHART

CAMBRIDGE BAY  
CAMBRIDGE BAY NU



Source of Canadian Civil Aeronautical Data : © 2010 NAV CANADA All rights reserved

# AERODROME CHART

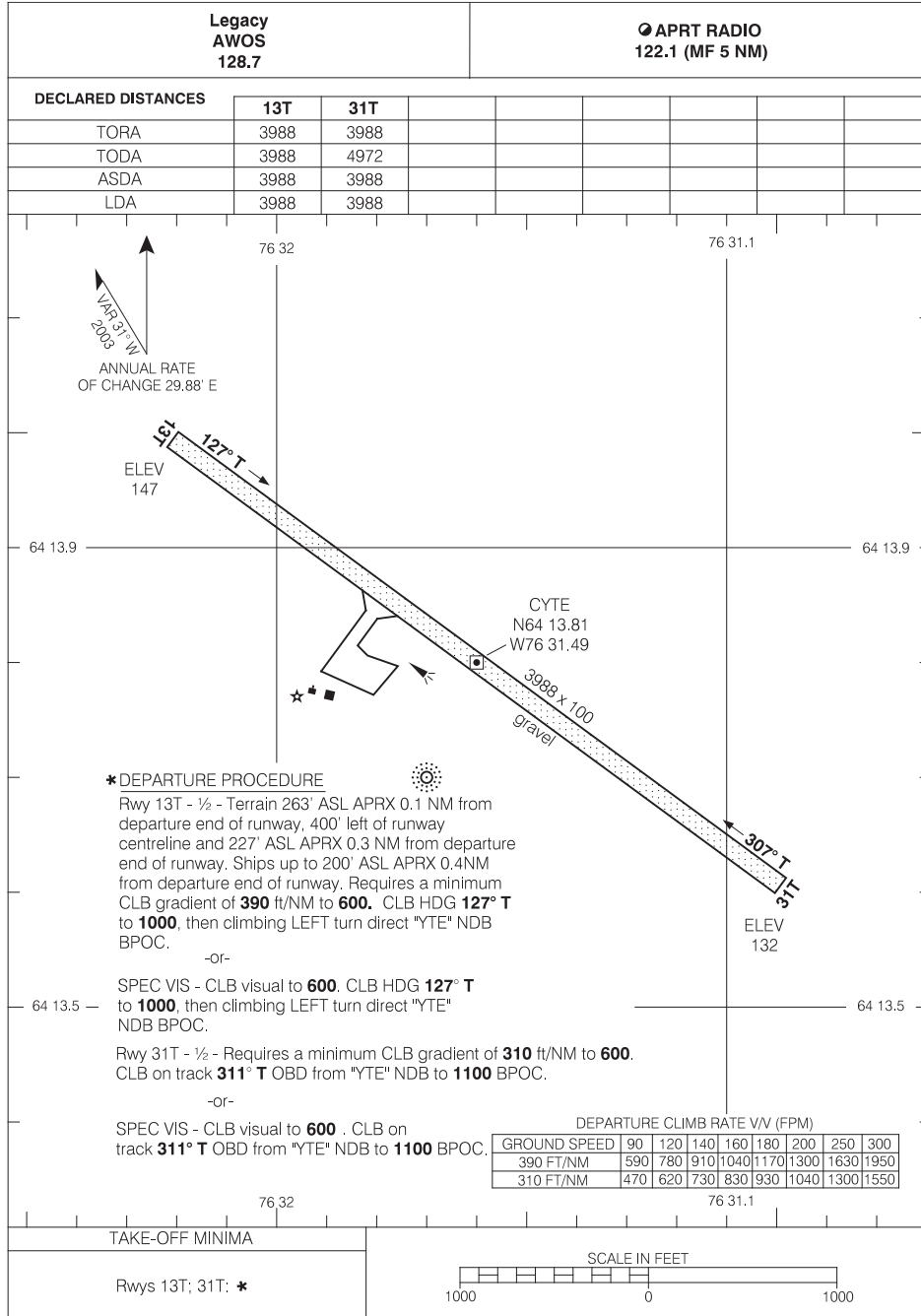
CAMBRIDGE BAY NU  
CAMBRIDGE BAY  
NAD83

EFF 8 JUN 06

CHANGE: Editorial

# AERODROME CHART

CAPE DORSET  
CAPE DORSET NU



Source of Canadian Civil Aeronautical Data : © 2010 NAV CANADA All rights reserved

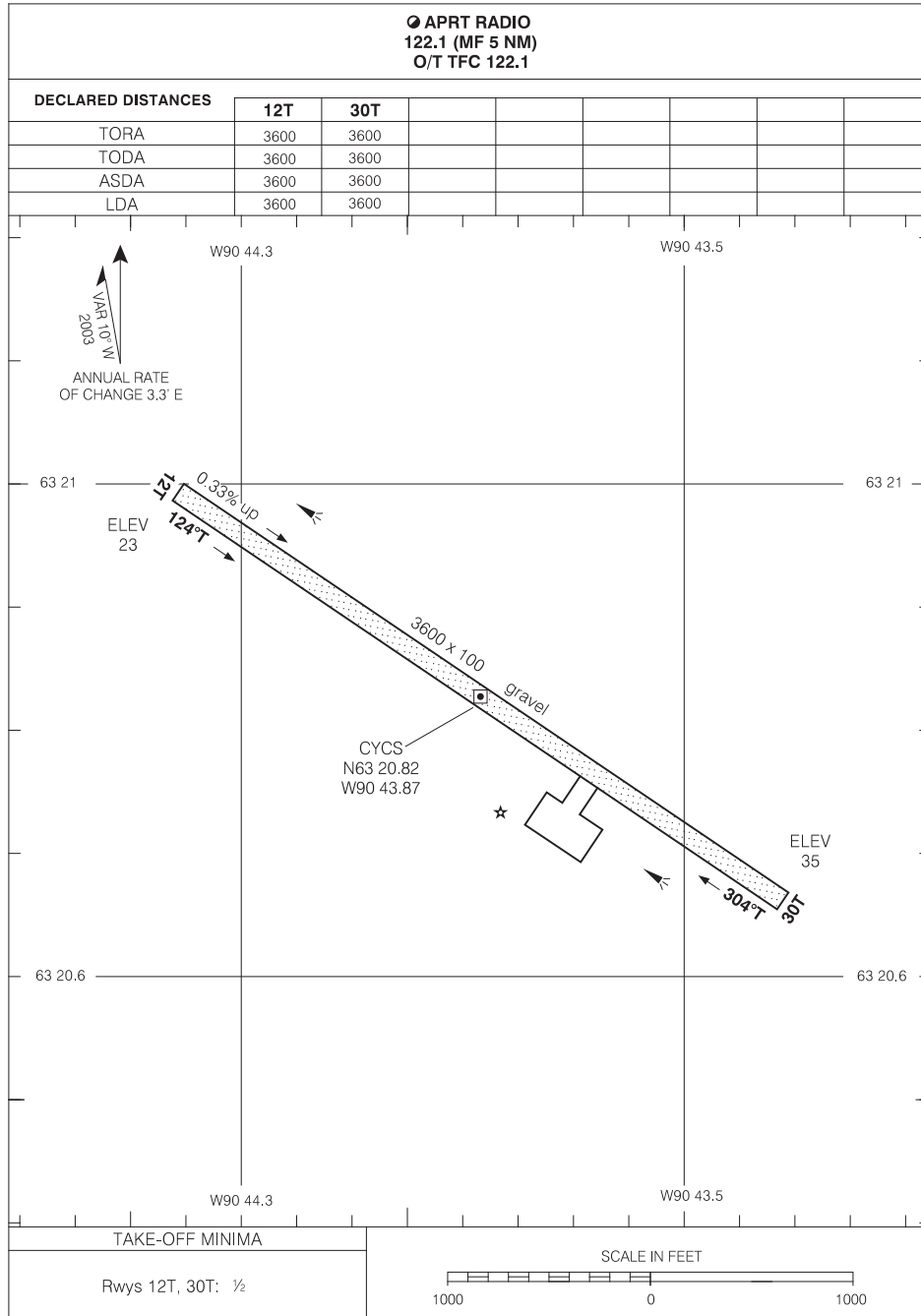
# AERODROME CHART

CAPE DORSET NU  
CAPE DORSET  
NAD83

EFF 22 OCT 09 CHANGE: Revised

# AERODROME CHART

CHESTERFIELD INLET  
CHESTERFIELD INLET NU



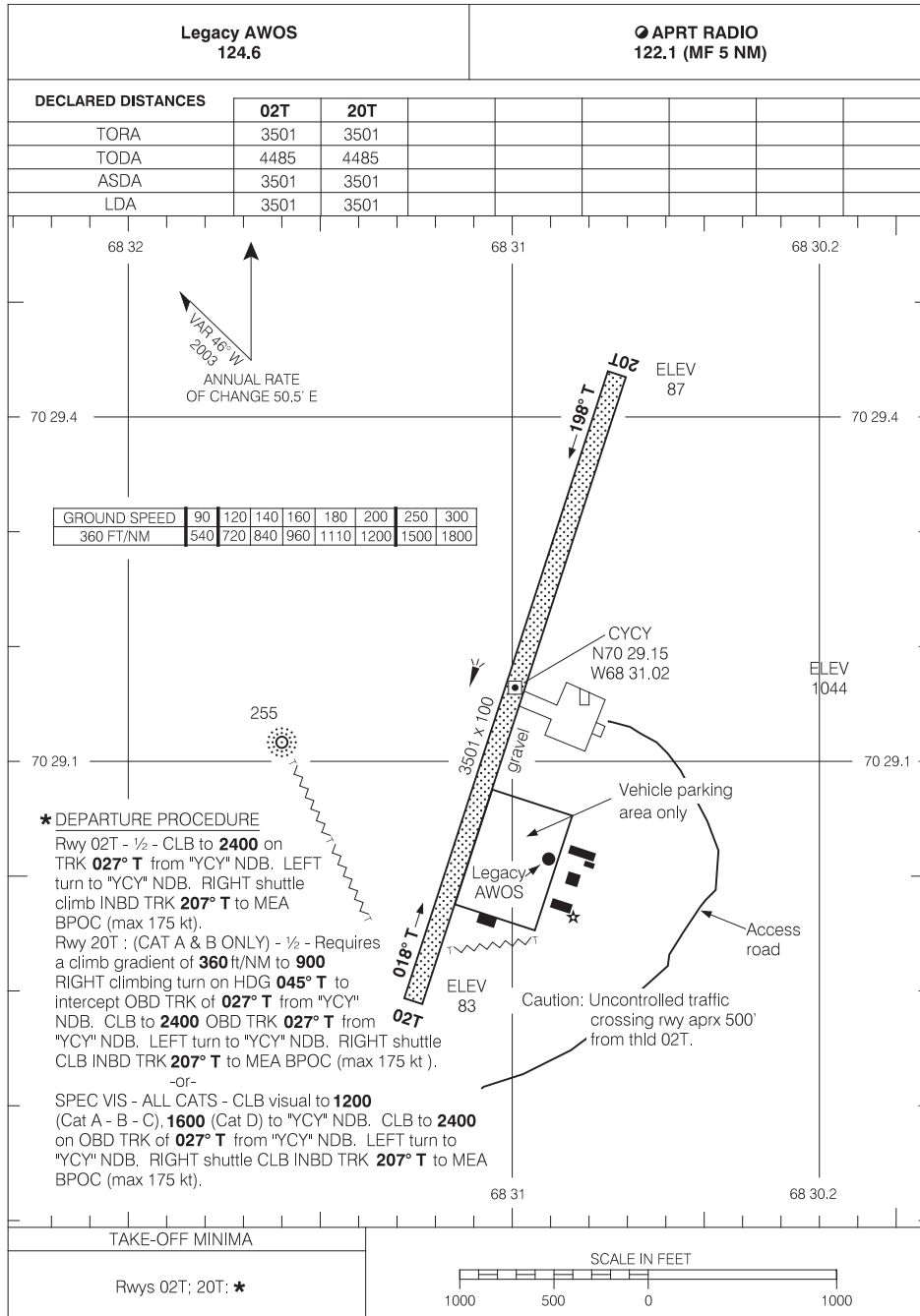
# AERODROME CHART

CHESTERFIELD INLET NU  
CHESTERFIELD INLET  
NAD83

EFF 27 AUG 09 CHANGE: Rwy slope

# AERODROME CHART

CLYDE RIVER  
CLYDE RIVER NU



Source of Canadian Civil Aeronautical Data : © 2010 NAV CANADA All rights reserved

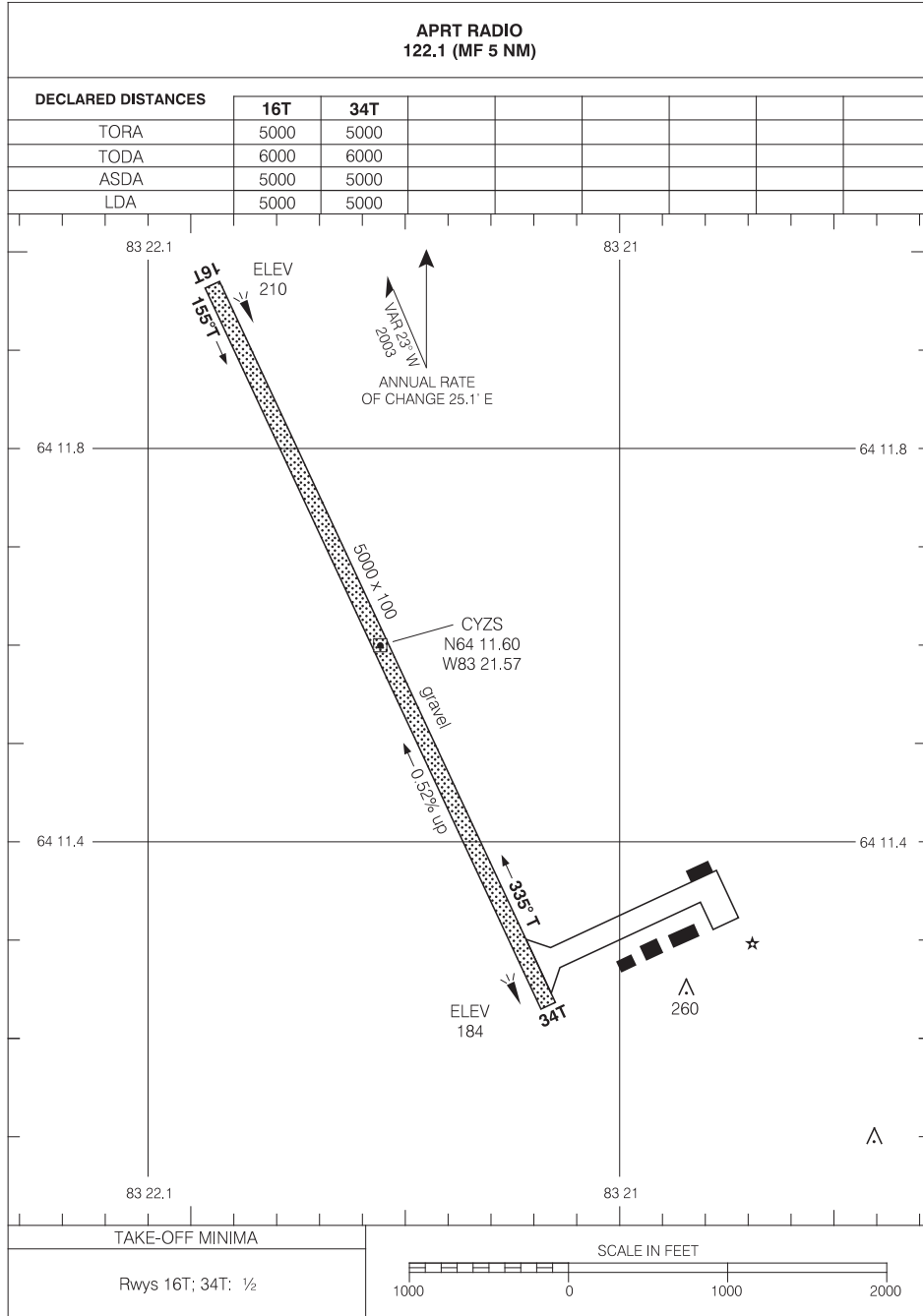
# AERODROME CHART

CLYDE RIVER NU  
CLYDE RIVER  
NAD83

EFF 22 OCT 09 CHANGE: RWY length, declared distances

# AERODROME CHART

CORAL HARBOUR  
CORAL HARBOUR NU



Source of Canadian Civil Aeronautical Data : © 2010 NAV CANADA All rights reserved

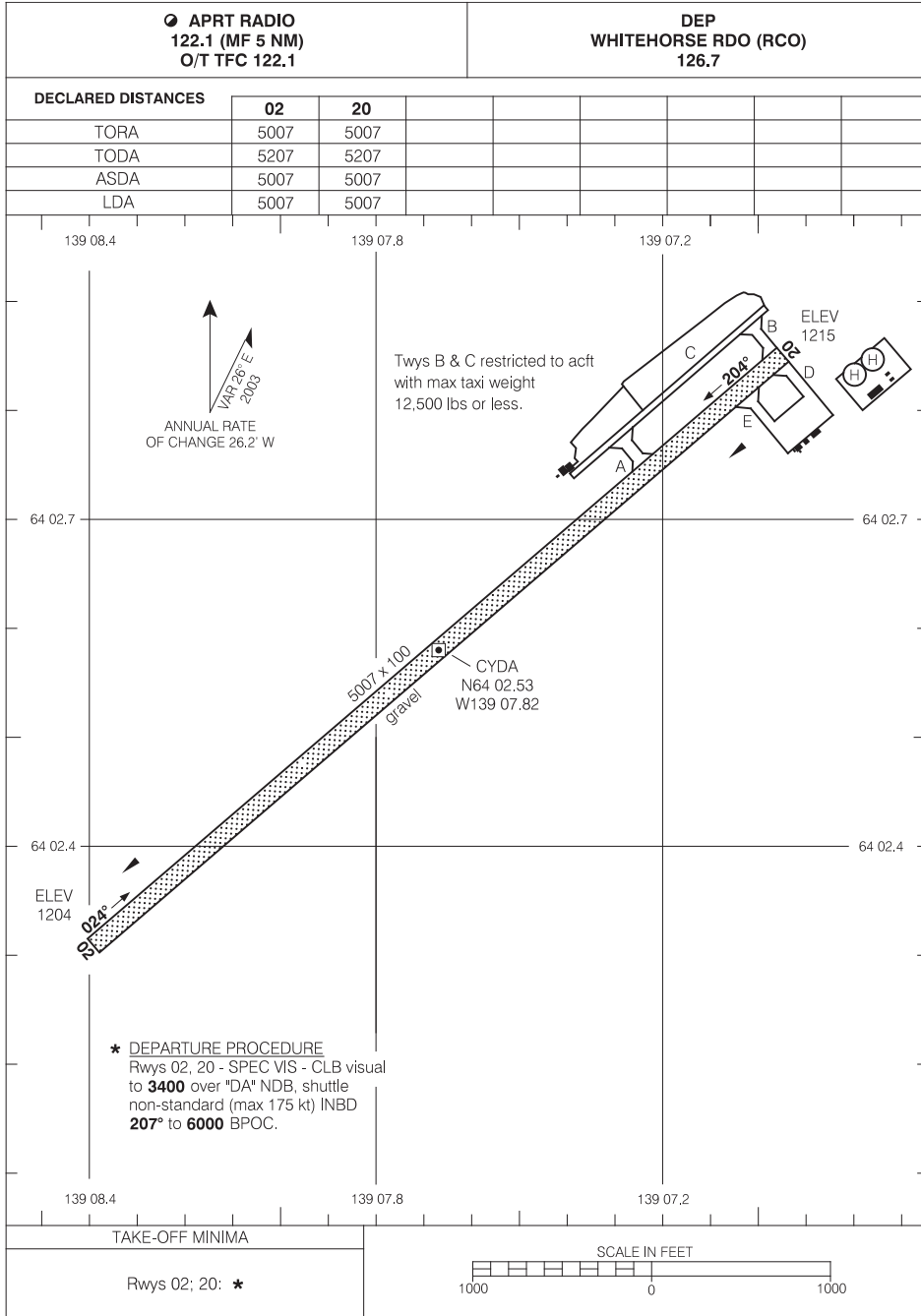
# AERODROME CHART

CORAL HARBOUR NU  
CORAL HARBOUR  
NAD83

EFF 8 JUN 06 CHANGE: Editorial

# AERODROME CHART

DAWSON CITY  
DAWSON CITY YT



# AERODROME CHART

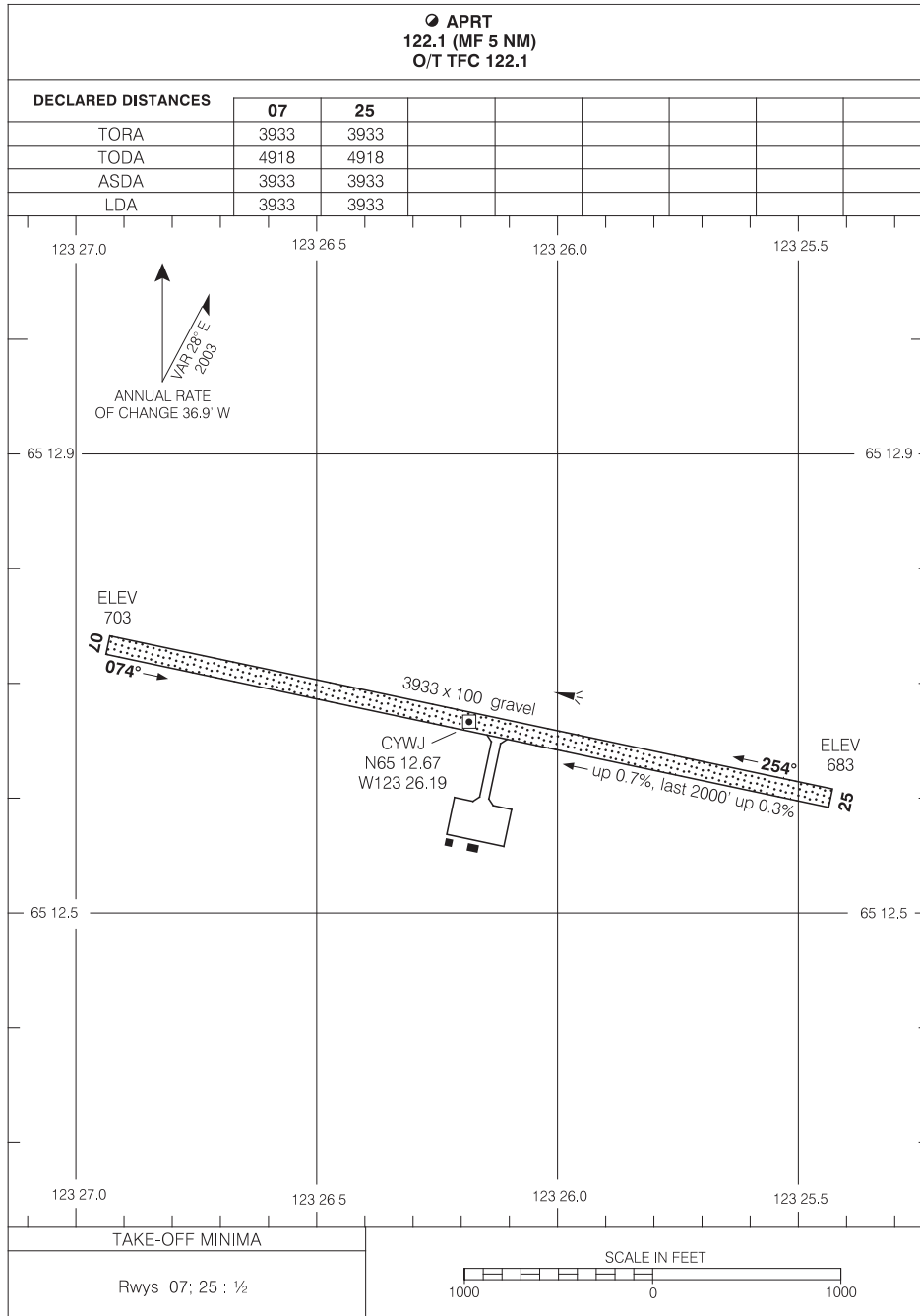
DAWSON CITY YT  
DAWSON CITY  
NAD83

EFF 31 JUL 08 CHANGE: Revised



# AERODROME CHART

DÉLINE  
DÉLINE NT



Source of Canadian Civil Aeronautical Data : © 2010 NAV CANADA All rights reserved

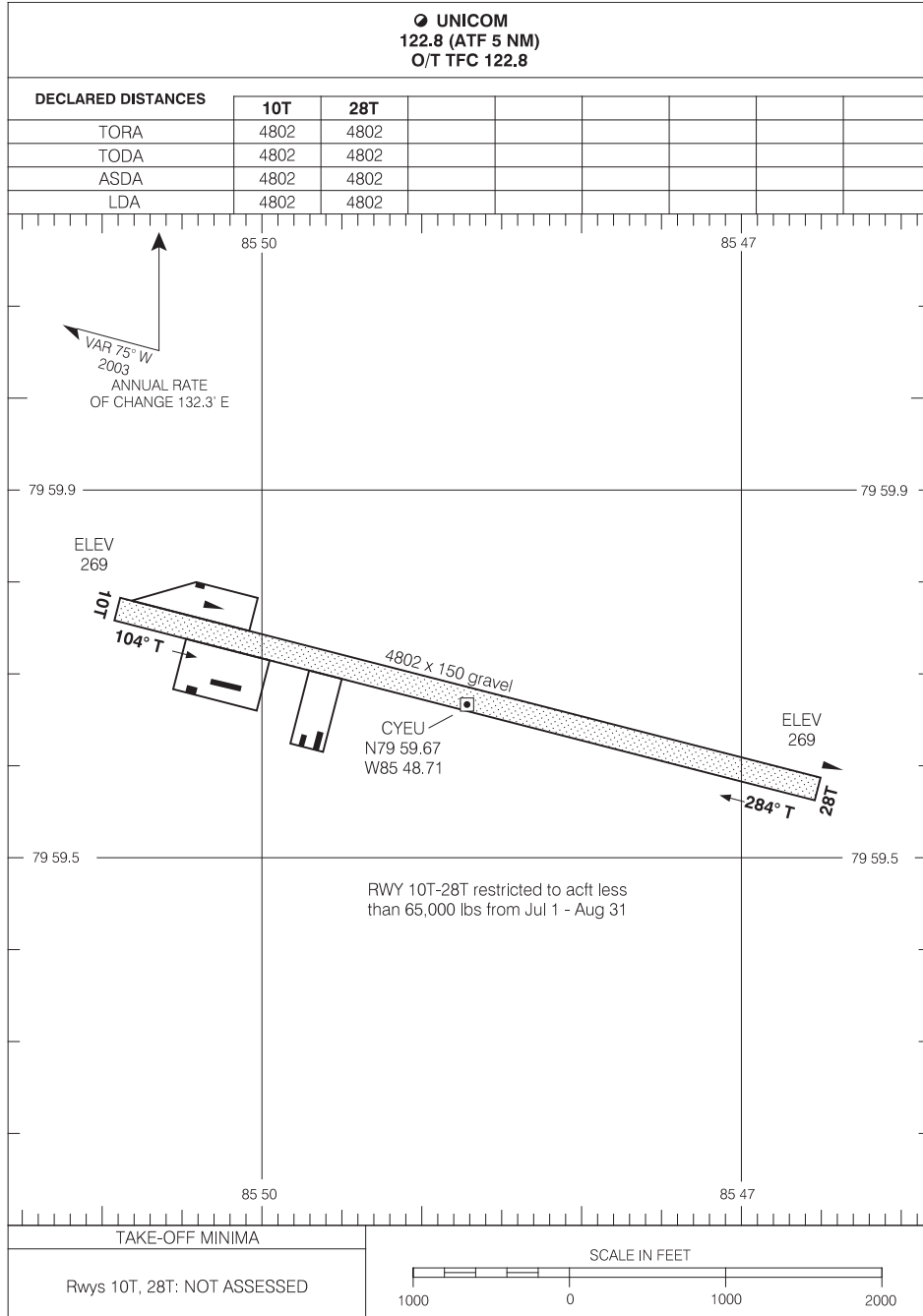
# AERODROME CHART

DÉLINE NT  
DÉLINE  
NAD83

EFF 23 NOV 06 CHANGE: Declared distances TODA

# AERODROME CHART

EUREKA  
EUREKA NU



Source of Canadian Civil Aeronautical Data : © 2010 NAV CANADA All rights reserved

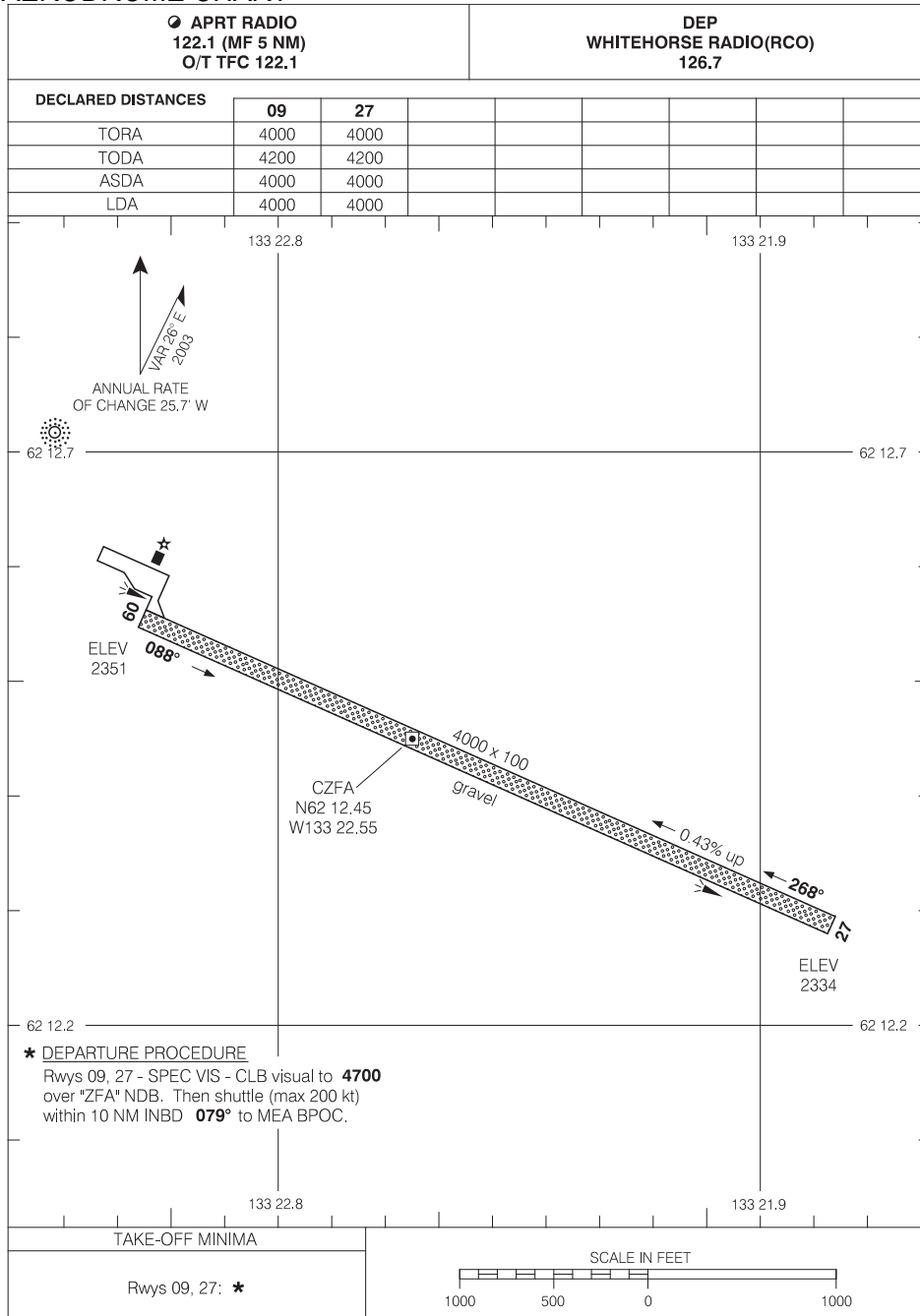
# AERODROME CHART

EUREKA NU  
EUREKA  
NAD83

EFF 25 SEP 08      CHANGE: Editorial

# AERODROME CHART

FARO  
FARO YT



**\* DEPARTURE PROCEDURE**  
 Rwy's 09, 27 - SPEC VIS - CLB visual to **4700**  
 over "ZFA" NDB. Then shuttle (max 200 kt)  
 within 10 NM INBD **079°** to MEA BPOC.

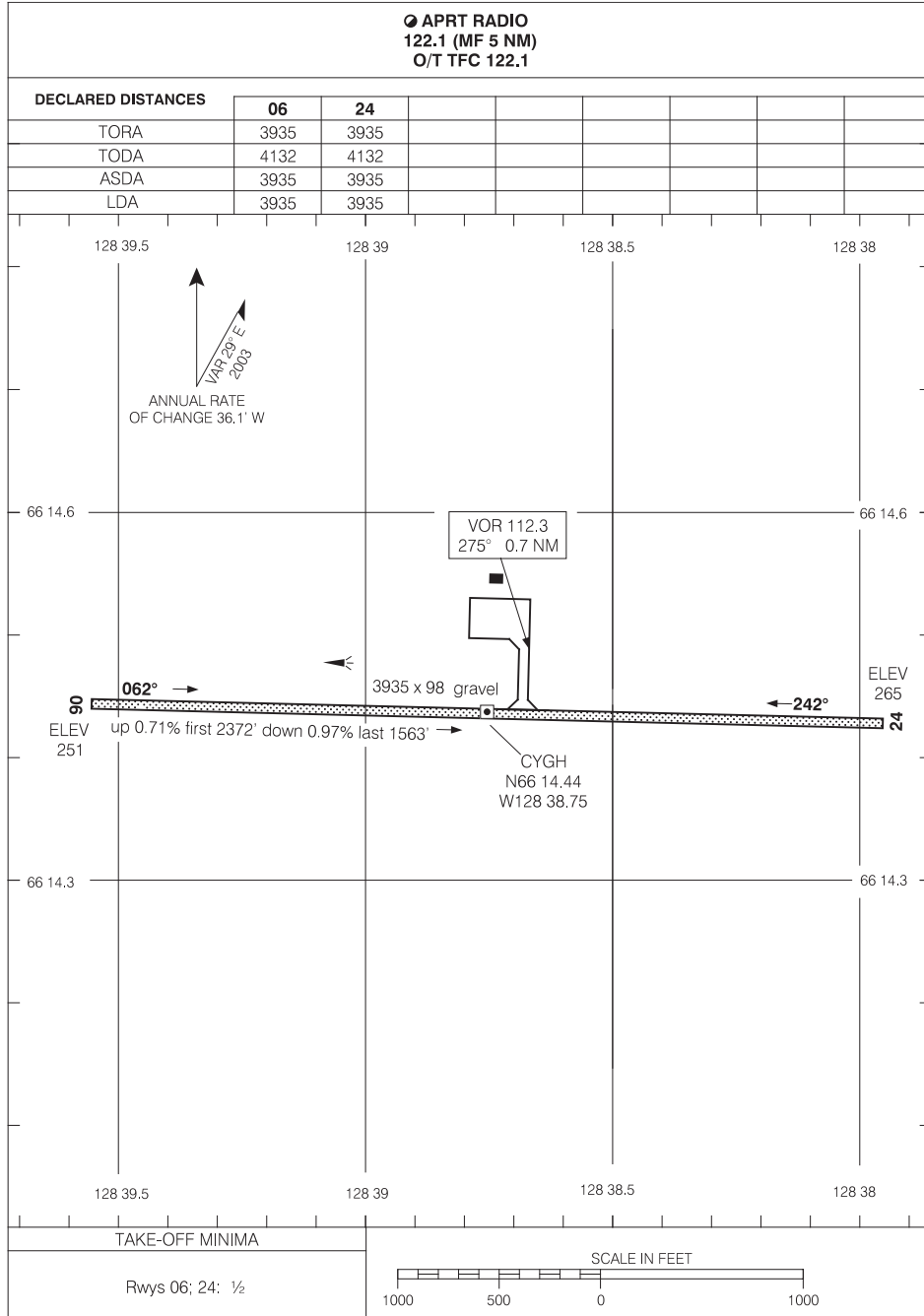
# AERODROME CHART

FARO YT  
FARO  
NAD83

EFF 8 JUN 06 CHANGE: Geometric coords added

# AERODROME CHART

FORT GOOD HOPE  
FORT GOOD HOPE NT



Source of Canadian Civil Aeronautical Data : © 2010 NAV CANADA All rights reserved

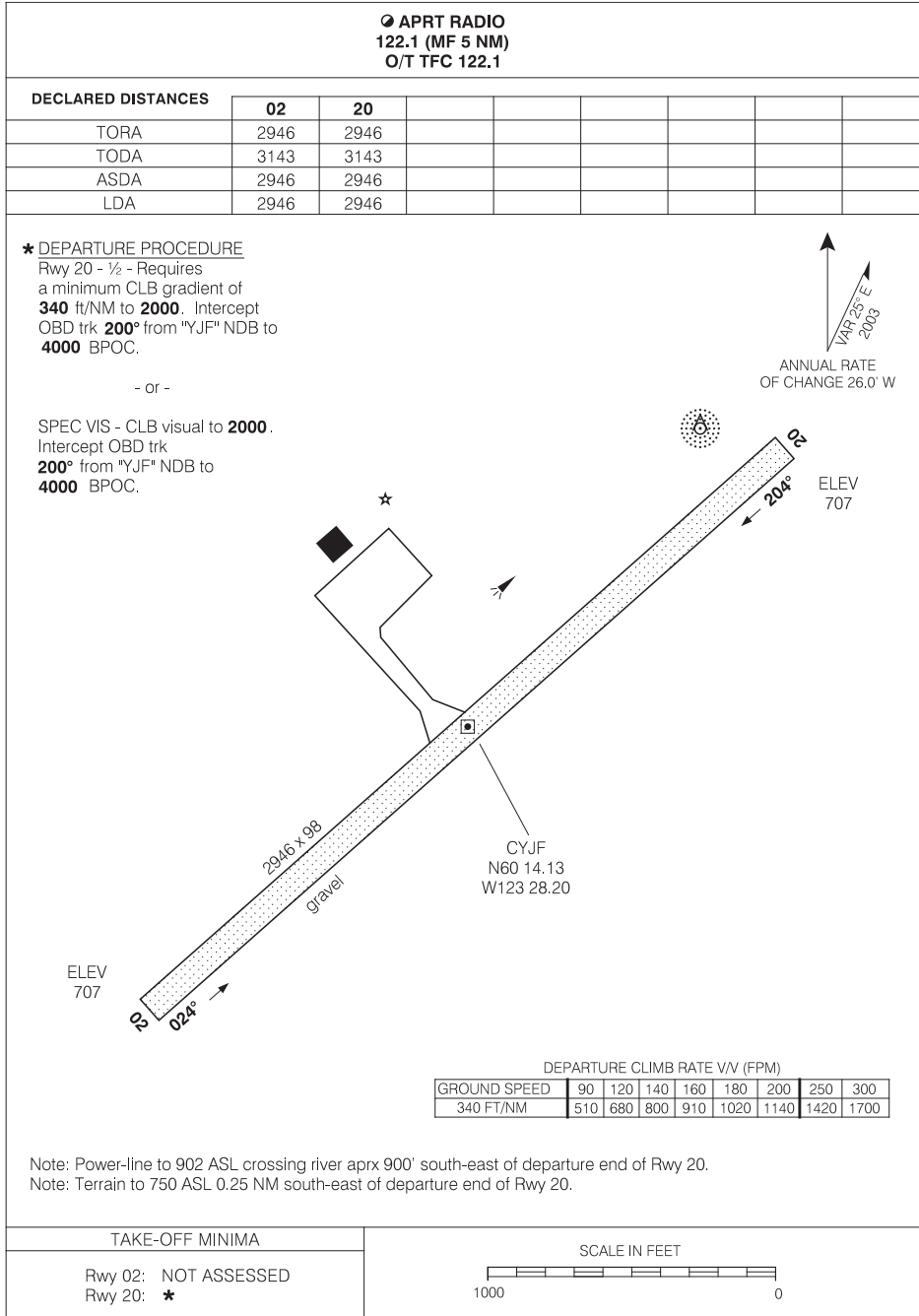
# AERODROME CHART

FORT GOOD HOPE NT  
FORT GOOD HOPE  
NAD83

EFF 11 FEB 10      CHANGE: Revised

# AERODROME CHART

FORT LIARD  
FORT LIARD NT



Source of Canadian Civil Aeronautical Data : © 2010 NAV CANADA All rights reserved

# AERODROME CHART

FORT LIARD NT  
FORT LIARD  
NAD83

EFF 20 DEC 07 CHANGE: Rwy surface

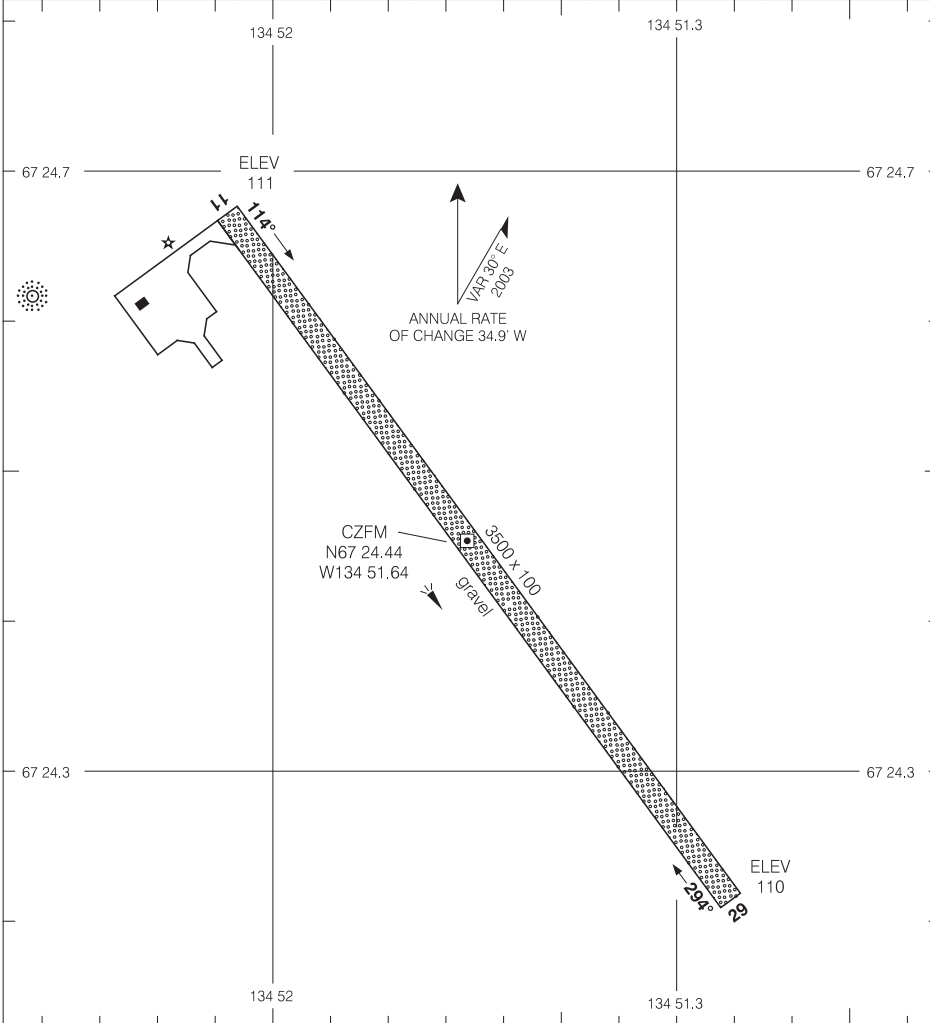
# AERODROME CHART

FORT McPHERSON  
FORT McPHERSON NT

APRT RDO  
122.1 (MF 5 NM)  
O/T TFC 122.1

**DECLARED DISTANCES**

	11	29						
TORA	3500	3500						
TODA	4090	4500						
ASDA	3500	3500						
LDA	3500	3500						



Source of Canadian Civil Aeronautical Data : © 2010 NAV CANADA All rights reserved

TAKE-OFF MINIMA
Rwys 11; 29: ½



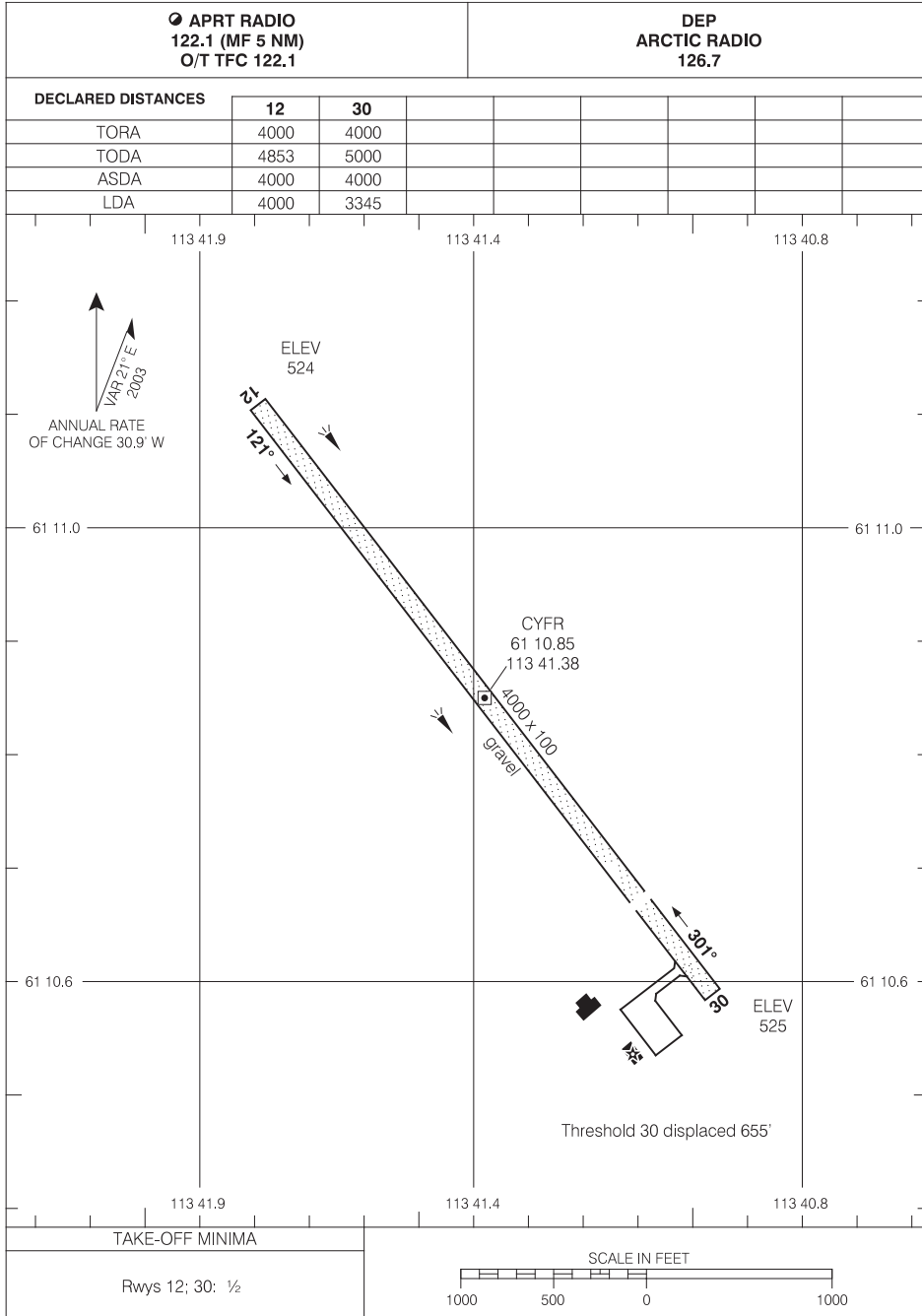
# AERODROME CHART

FORT McPHERSON NT  
FORT McPHERSON  
NAD83

EFF 8 JUN 06 CHANGE: Editorial

# AERODROME CHART

FORT RESOLUTION  
FORT RESOLUTION NT



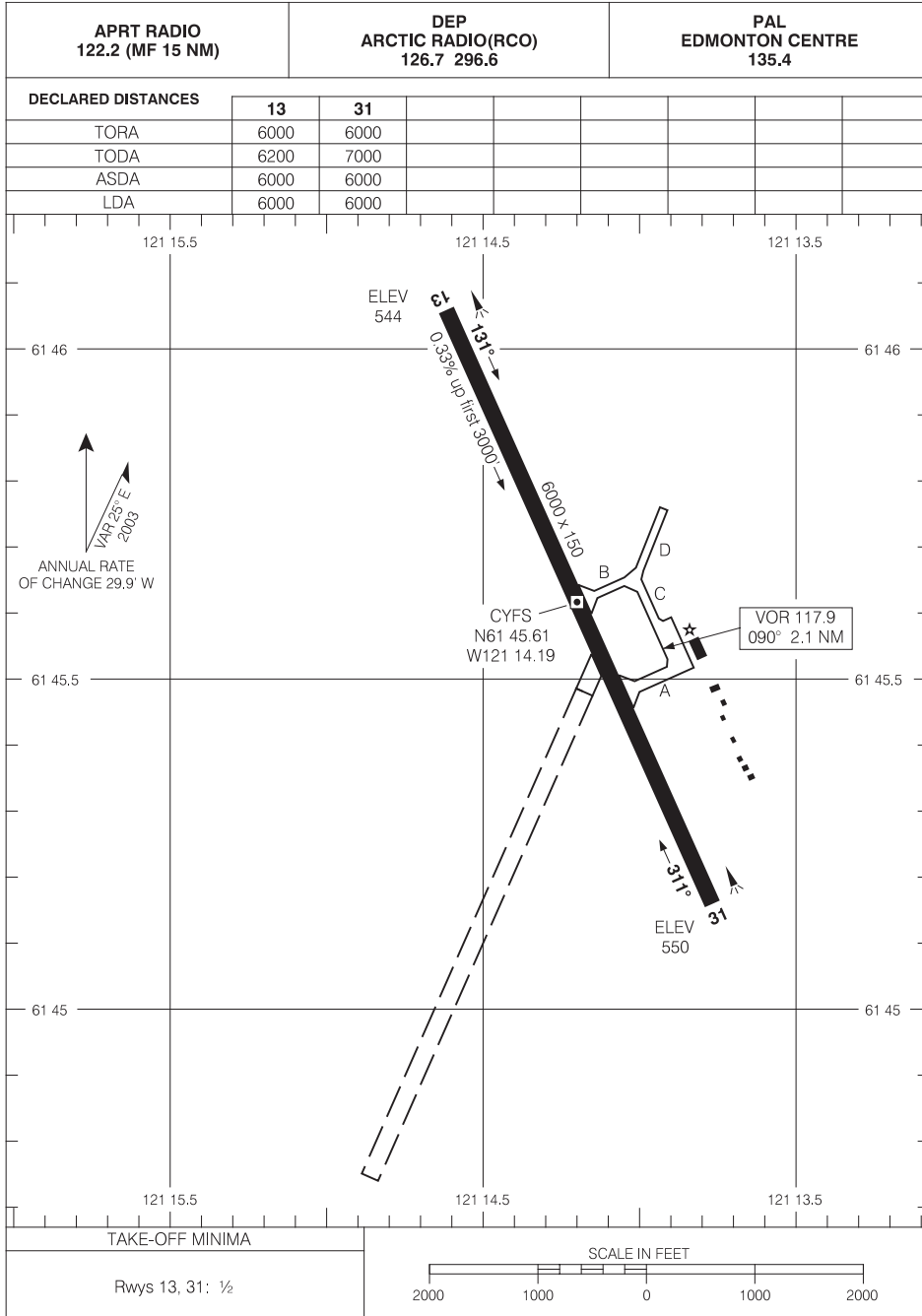
# AERODROME CHART

FORT RESOLUTION NT  
FORT RESOLUTION  
NAD83

EFF 5 JUN 08 CHANGE: Rwy 12 TODA

# AERODROME CHART

FORT SIMPSON  
FORT SIMPSON NT



Source of Canadian Civil Aeronautical Data : © 2010 NAV CANADA All rights reserved

# AERODROME CHART

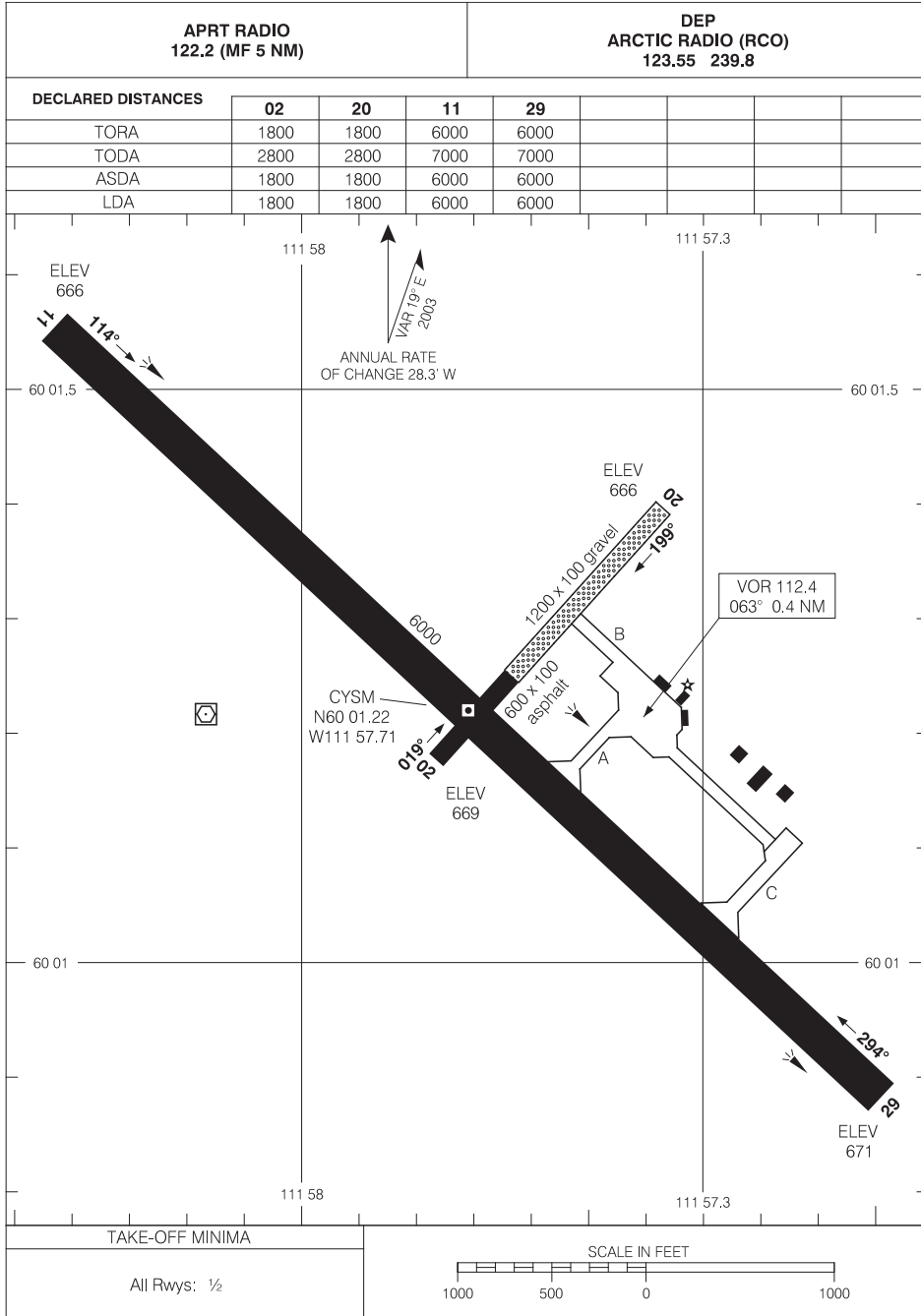
FORT SIMPSON NT  
FORT SIMPSON  
NAD83

EFF 27 AUG 09 CHANGE: Rwy 31 TODA



# AERODROME CHART

FORT SMITH  
FORT SMITH NT



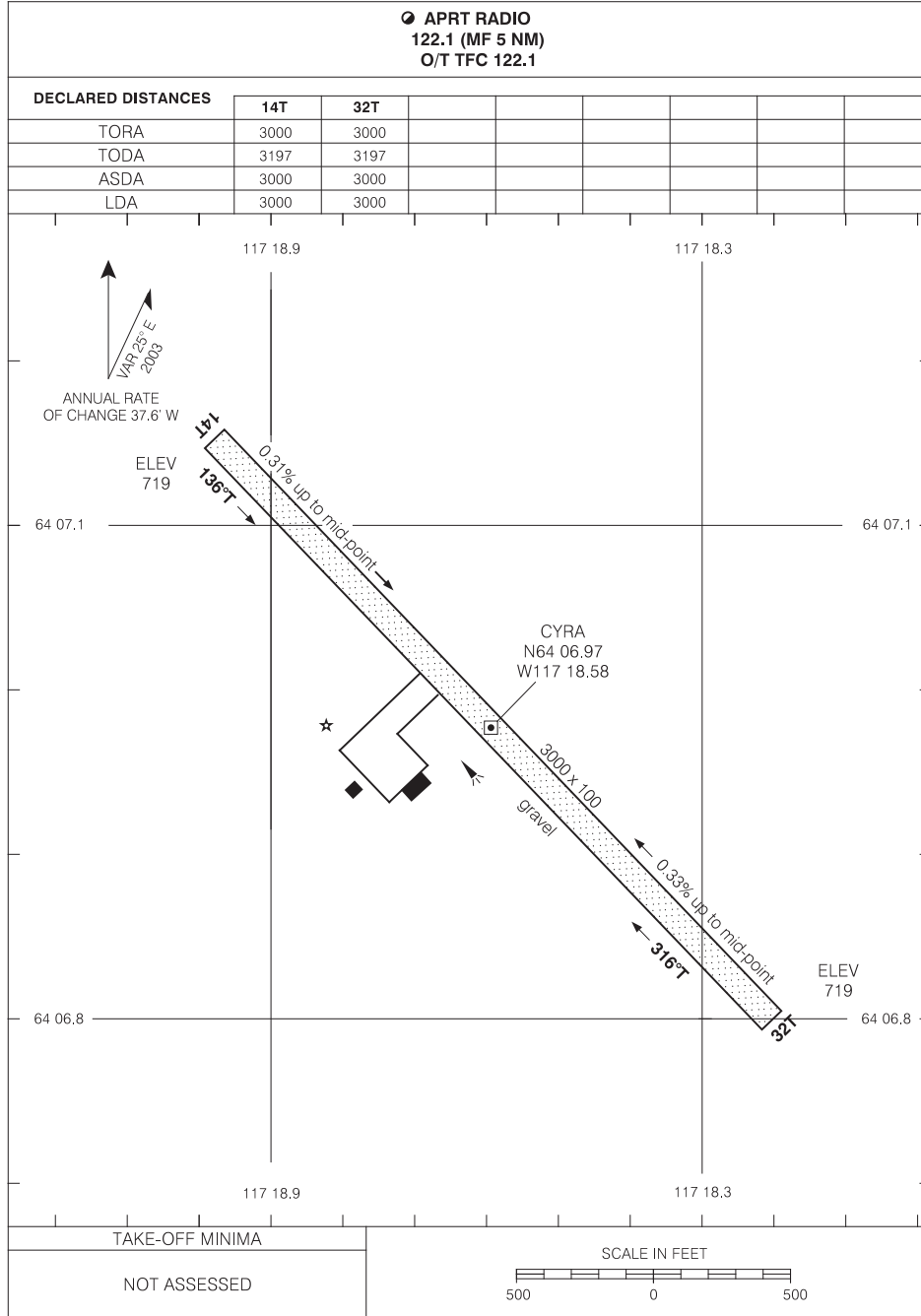
# AERODROME CHART

FORT SMITH NT  
FORT SMITH  
NAD83

EFF 15 MAR 07 CHANGE: Comm box

# AERODROME CHART

GAMÈTÌ/RAE LAKES  
GAMÈTÌ/RAE LAKES NT



Source of Canadian Civil Aeronautical Data : © 2010 NAV CANADA All rights reserved

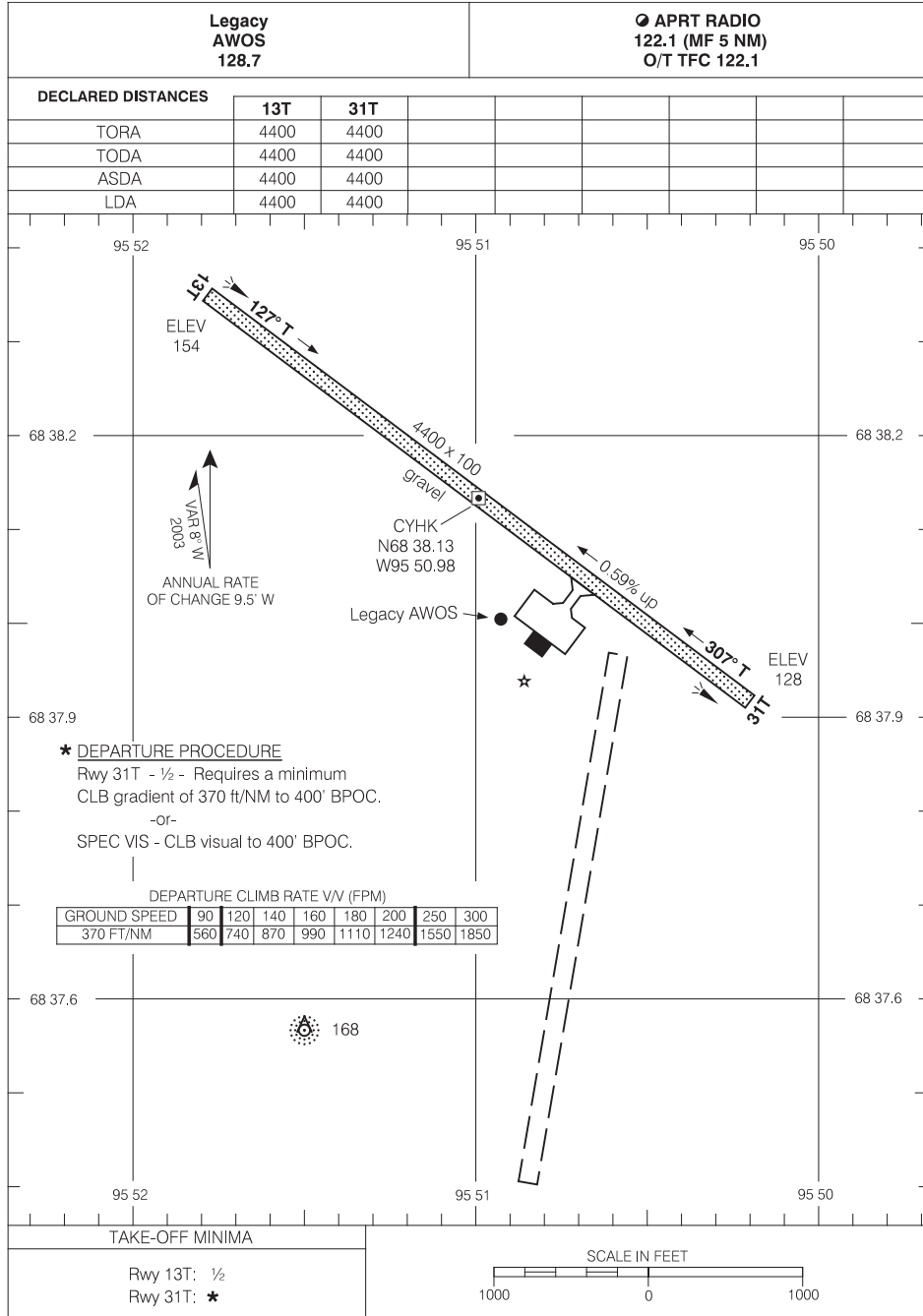
# AERODROME CHART

GAMÈTÌ/RAE LAKES NT  
GAMÈTÌ/RAE LAKES  
NAD83

EFF 25 SEP 08 CHANGE: Declared distances

# AERODROME CHART

GJOA HAVEN  
GJOA HAVEN NU



Source of Canadian Civil Aeronautical Data : © 2010 NAV CANADA All rights reserved

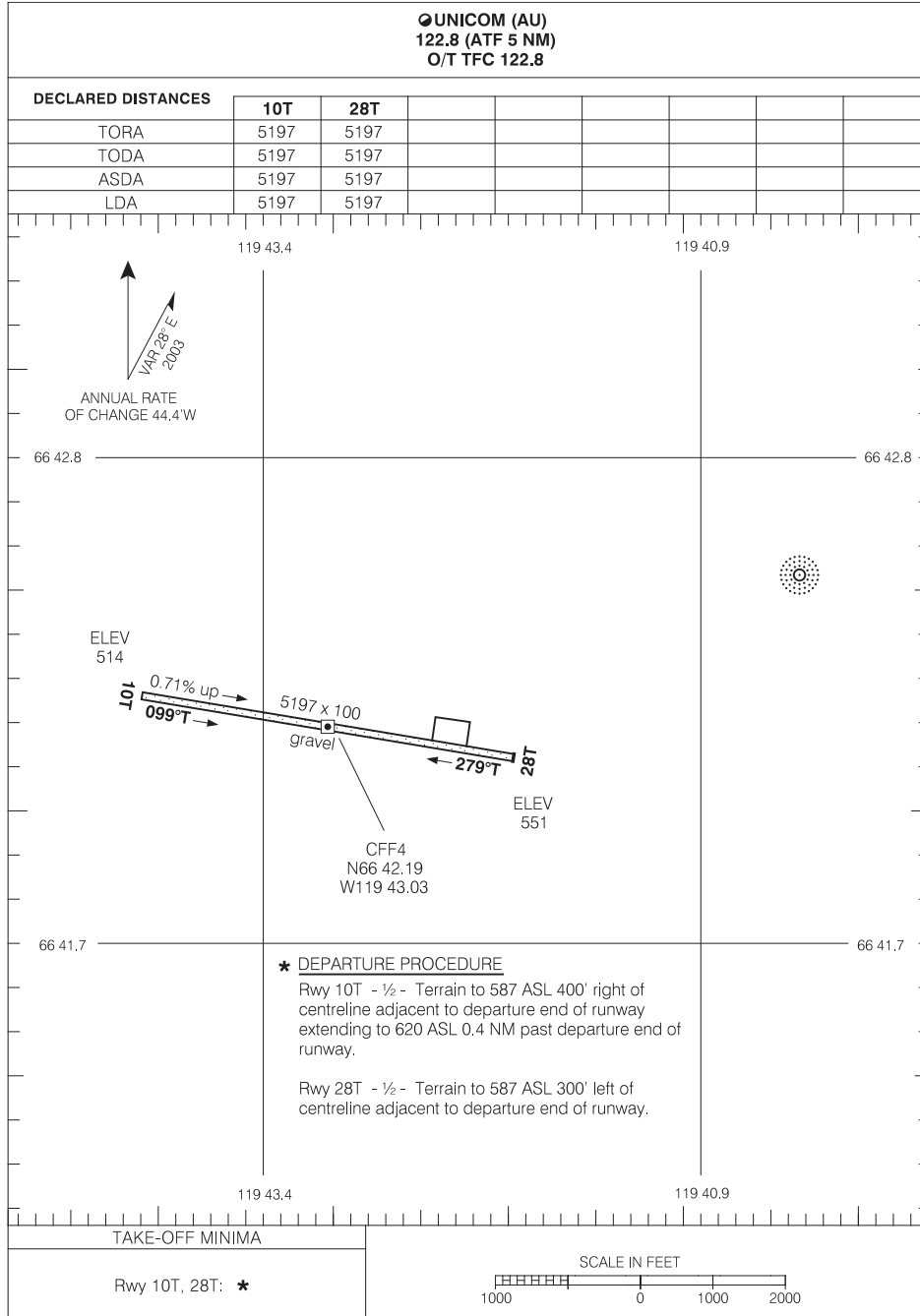
# AERODROME CHART

GJOA HAVEN NU  
GJOA HAVEN  
NAD83

EFF 20 NOV 08 CHANGE: AWOS

# AERODROME CHART

GREAT BEAR LAKE  
GREAT BEAR LAKE NT



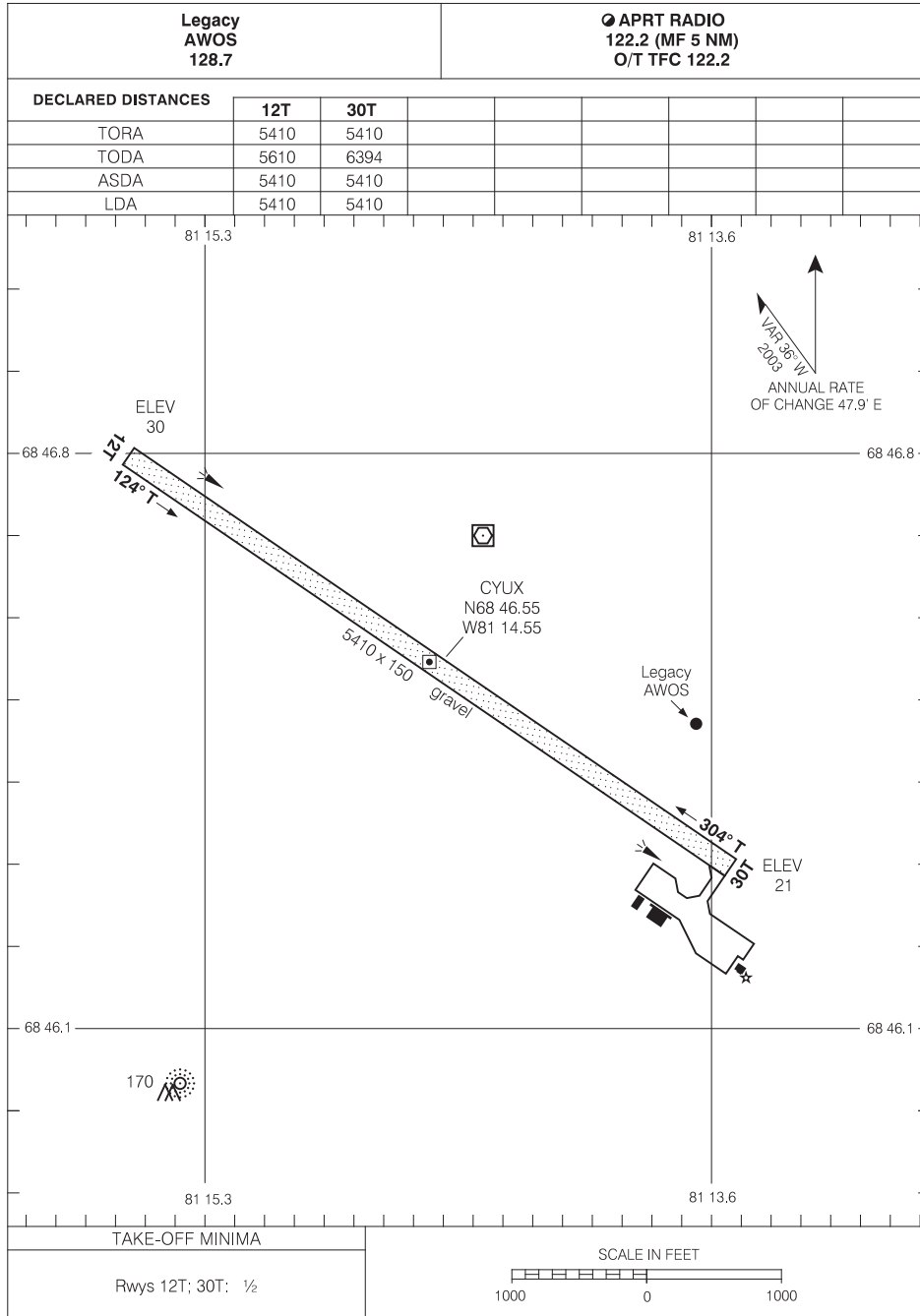
# AERODROME CHART

GREAT BEAR LAKE NT  
GREAT BEAR LAKE  
NAD83

EFF 27 AUG 09 CHANGE: Declared distances

# AERODROME CHART

HALL BEACH  
HALL BEACH NU



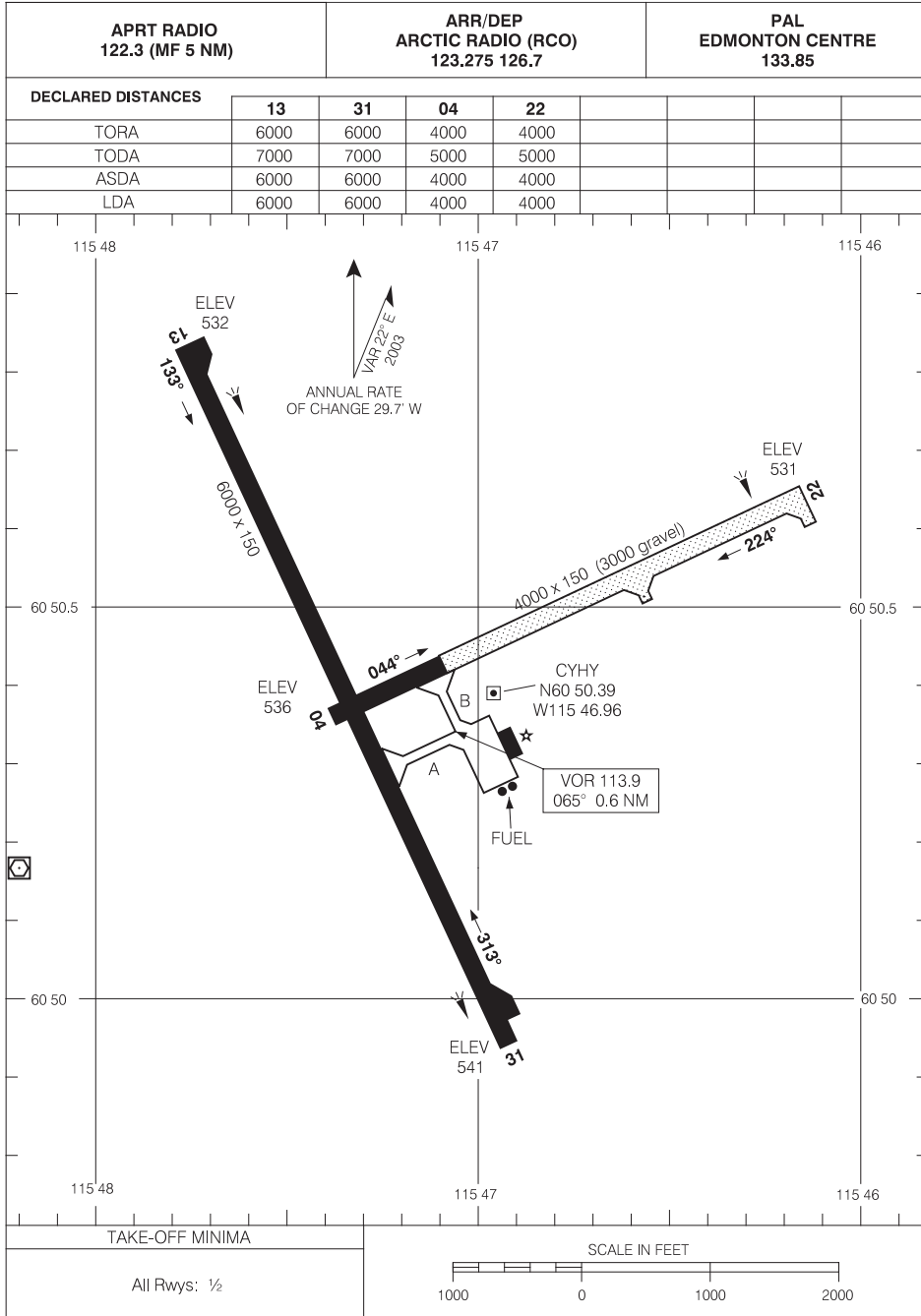
# AERODROME CHART

HALL BEACH NU  
HALL BEACH  
NAD83

EFF 11 FEB 10 CHANGE: Grid

# AERODROME CHART

HAY RIVER  
HAY RIVER NT



Source of Canadian Civil Aeronautical Data : © 2010 NAV CANADA All rights reserved

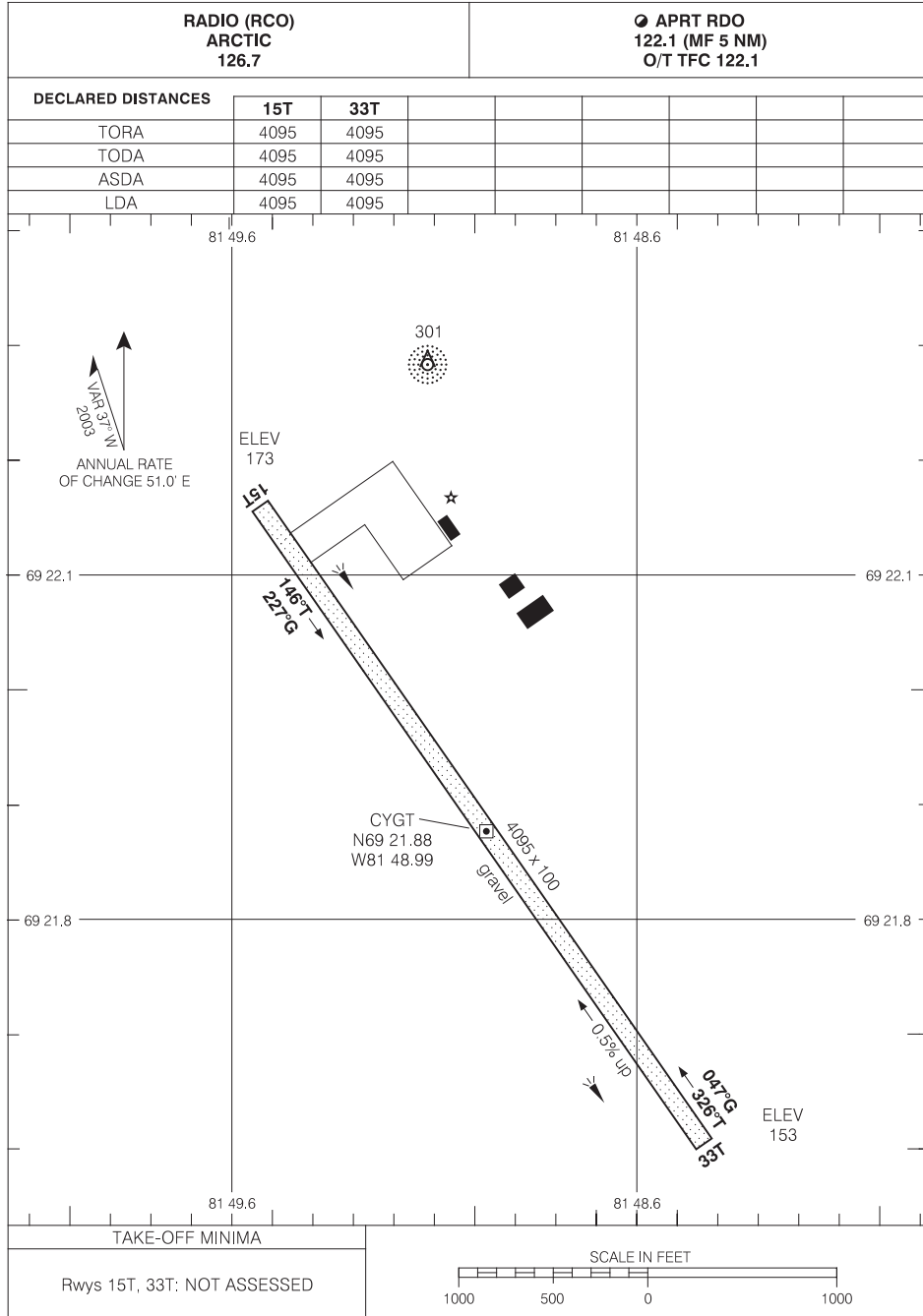
# AERODROME CHART

HAY RIVER NT  
HAY RIVER  
NAD83

EFF 14 FEB 08      CHANGE: Comm box

# AERODROME CHART

IGLOOLIK  
IGLOOLIK NU



Source of Canadian Civil Aeronautical Data : © 2010 NAV CANADA All rights reserved

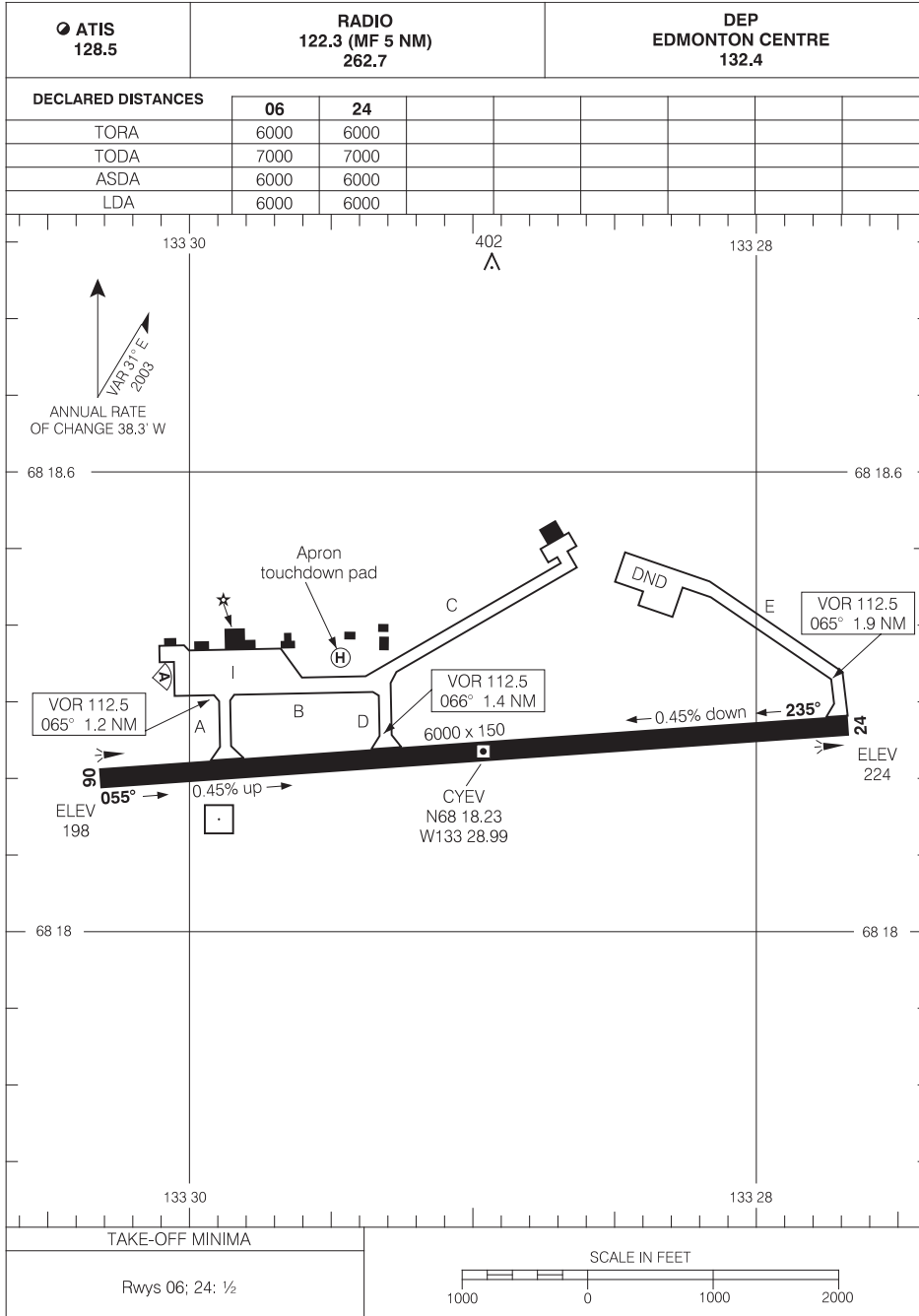
# AERODROME CHART

IGLOOLIK NU  
IGLOOLIK  
NAD83

EFF 17 DEC 09 CHANGE: Revised

# AERODROME CHART

INUVIK (MIKE ZUBKO)  
INUVIK NT



Source of Canadian Civil Aeronautical Data : © 2010 NAV CANADA All rights reserved

# AERODROME CHART

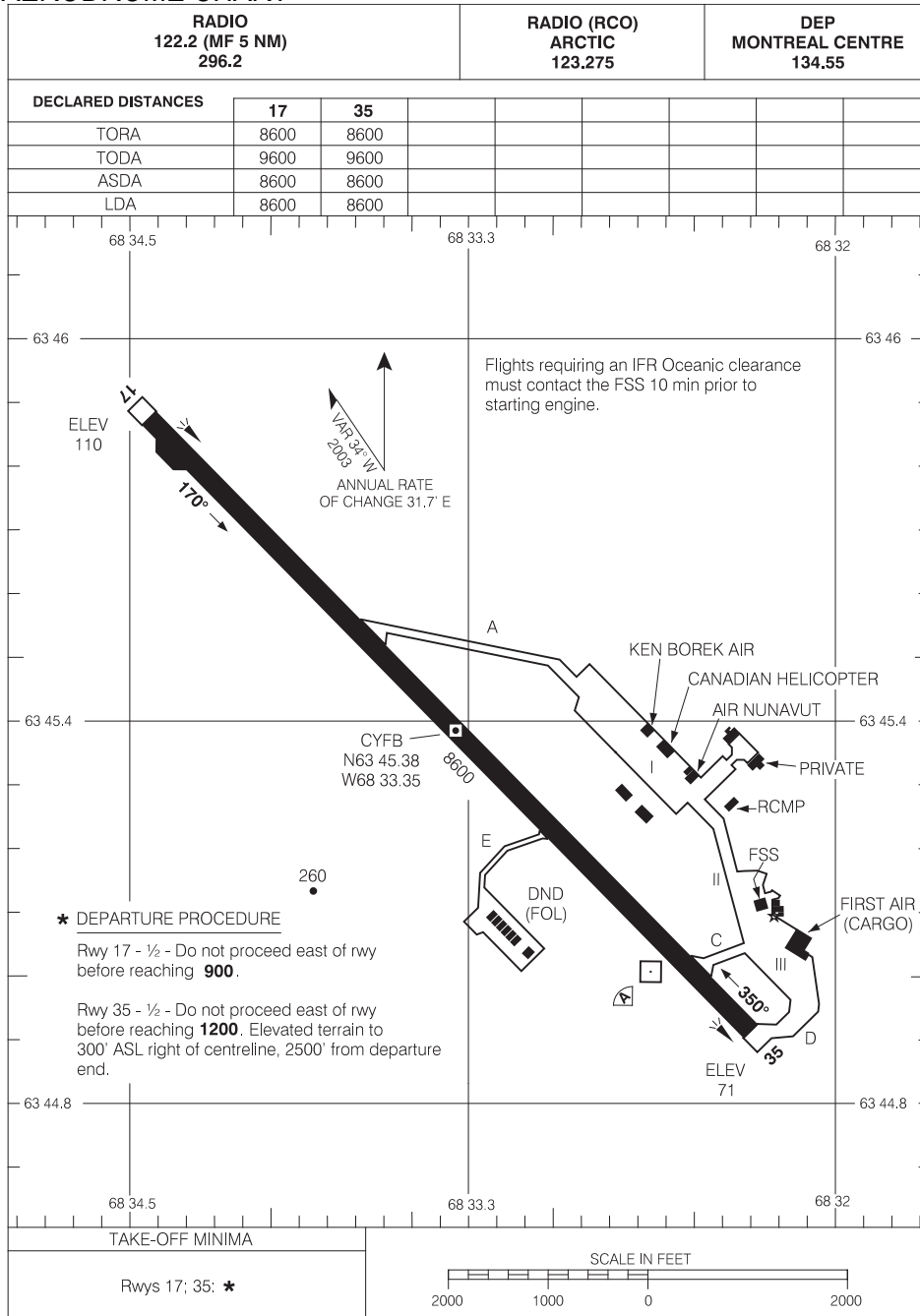
INUVIK NT  
INUVIK (MIKE ZUBKO)  
NAD83

EFF 7 MAY 09 CHANGE: Operational note deleted



# AERODROME CHART

IQALUIT  
IQALUIT NU



**\* DEPARTURE PROCEDURE**

Rwy 17 - ½ - Do not proceed east of rwy before reaching **900**.

Rwy 35 - ½ - Do not proceed east of rwy before reaching **1200**. Elevated terrain to 300' ASL right of centreline, 2500' from departure end.

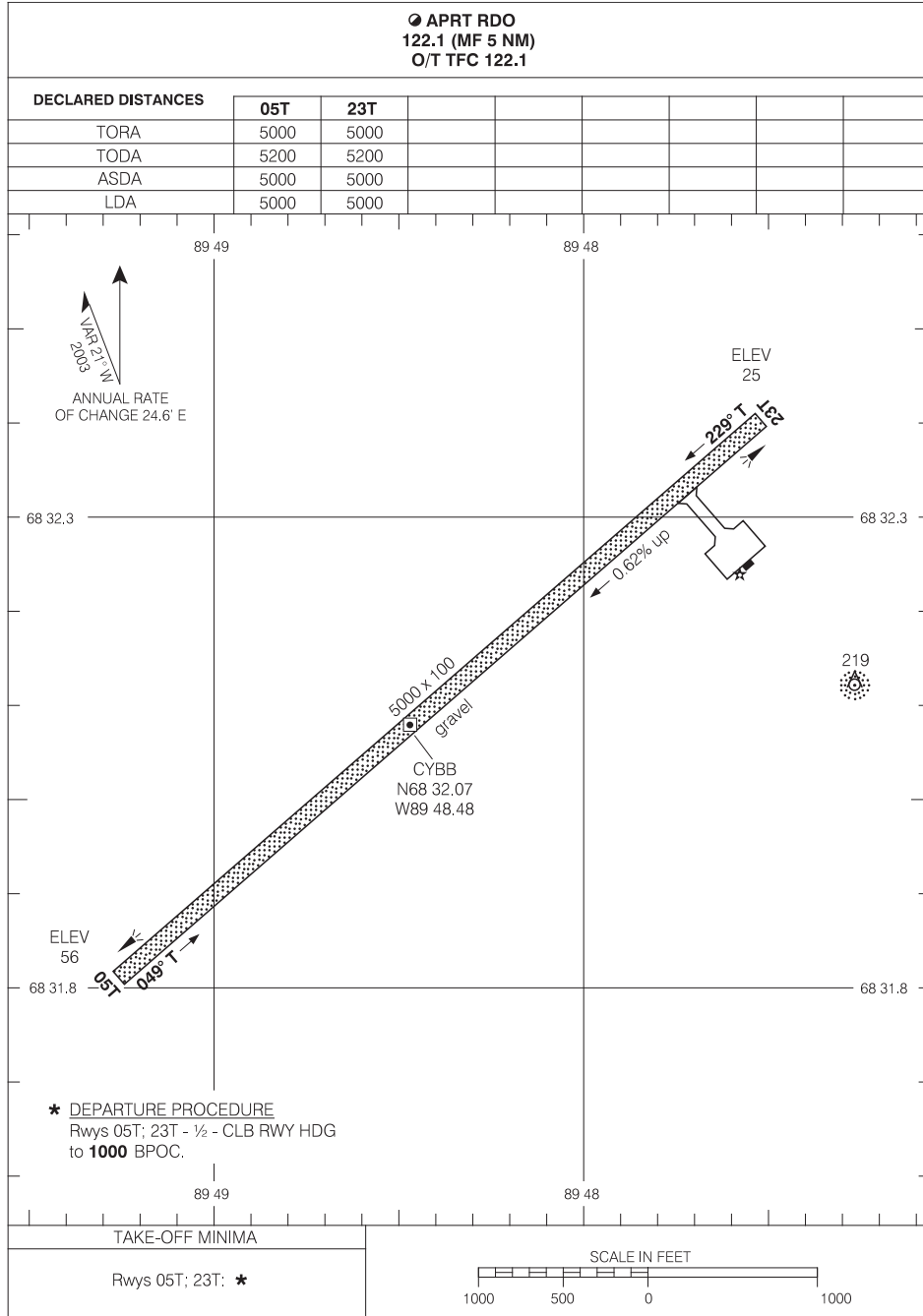
# AERODROME CHART

IQALUIT NU  
IQALUIT  
NAD83

EFF 27 AUG 09 CHANGE: VOT deleted

# AERODROME CHART

KUGAARUK  
KUGAARUK NU



# AERODROME CHART

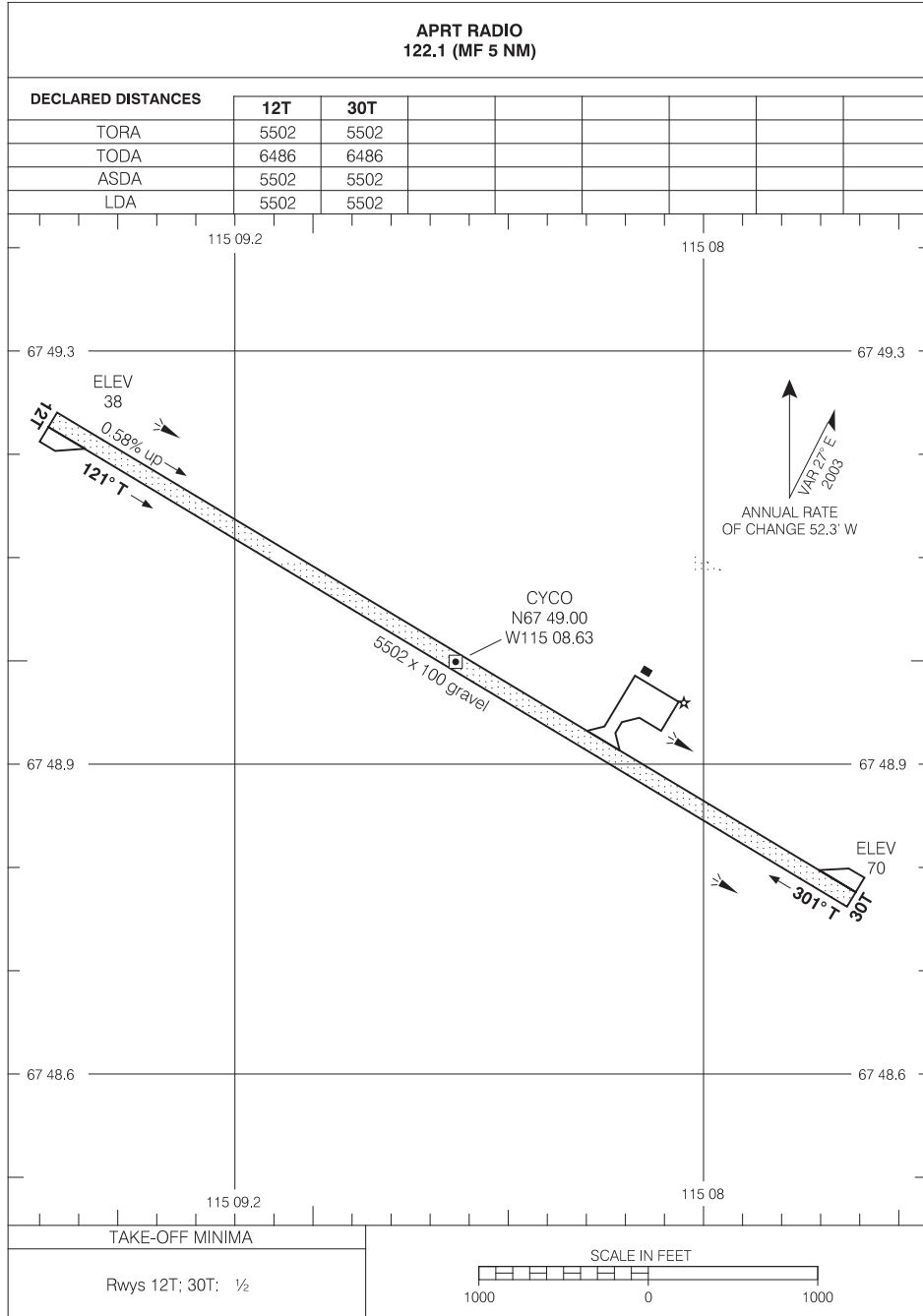
KUGAARUK NU  
KUGAARUK  
NAD83

EFF 8 JUN 06

CHANGE: Editorial

# AERODROME CHART

KUGLUKTUK  
KUGLUKTUK NU



Source of Canadian Civil Aeronautical Data : © 2010 NAV CANADA All rights reserved

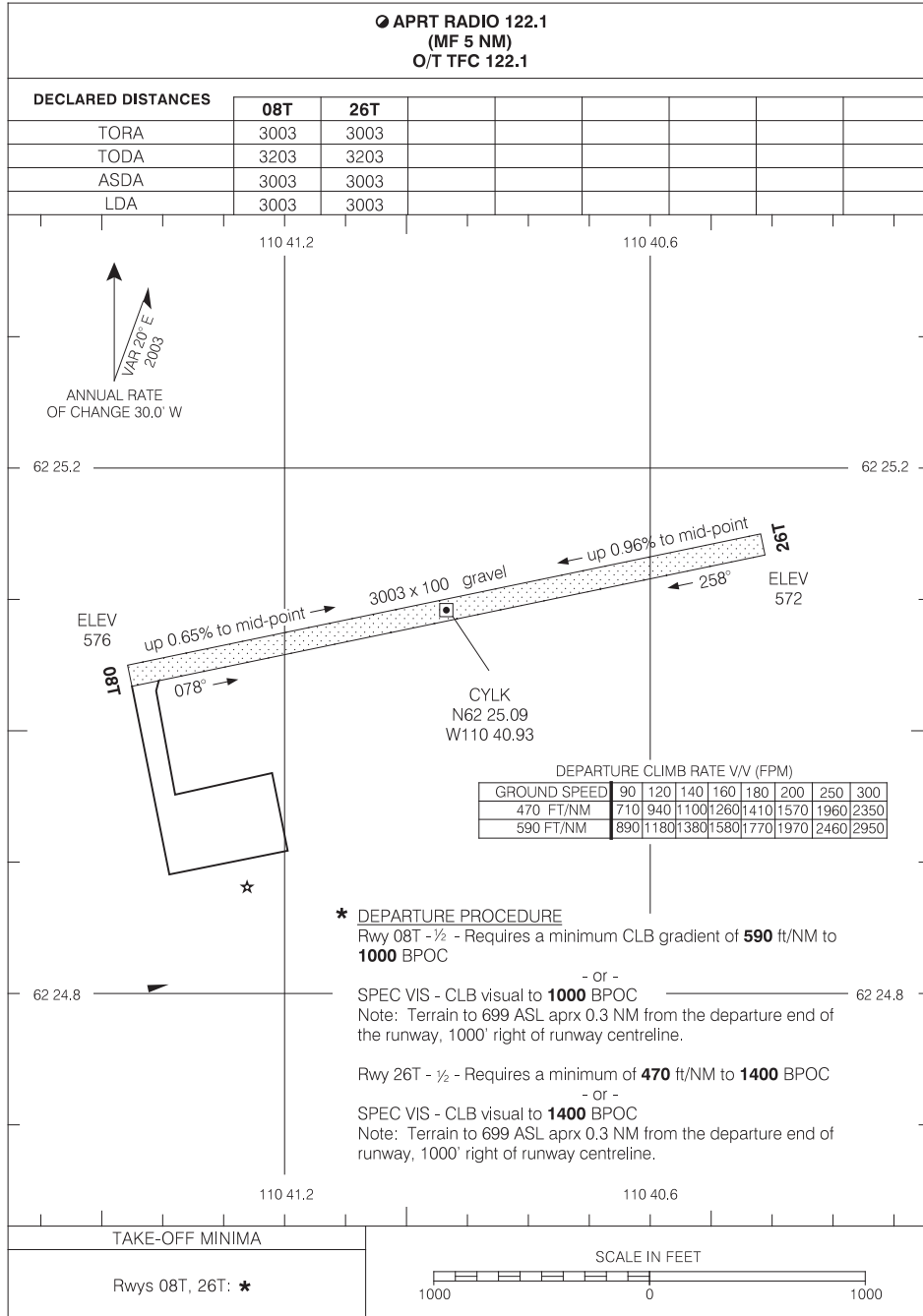
# AERODROME CHART

KUGLUKTUK NU  
KUGLUKTUK  
NAD83

EFF 11 FEB 10 CHANGE: Declared distances, rwy length, thld elevation, rwy slope

# AERODROME CHART

LETSELK'E  
LETSELK'E NT



# AERODROME CHART

LETSELK' NT  
LUTSELK'E

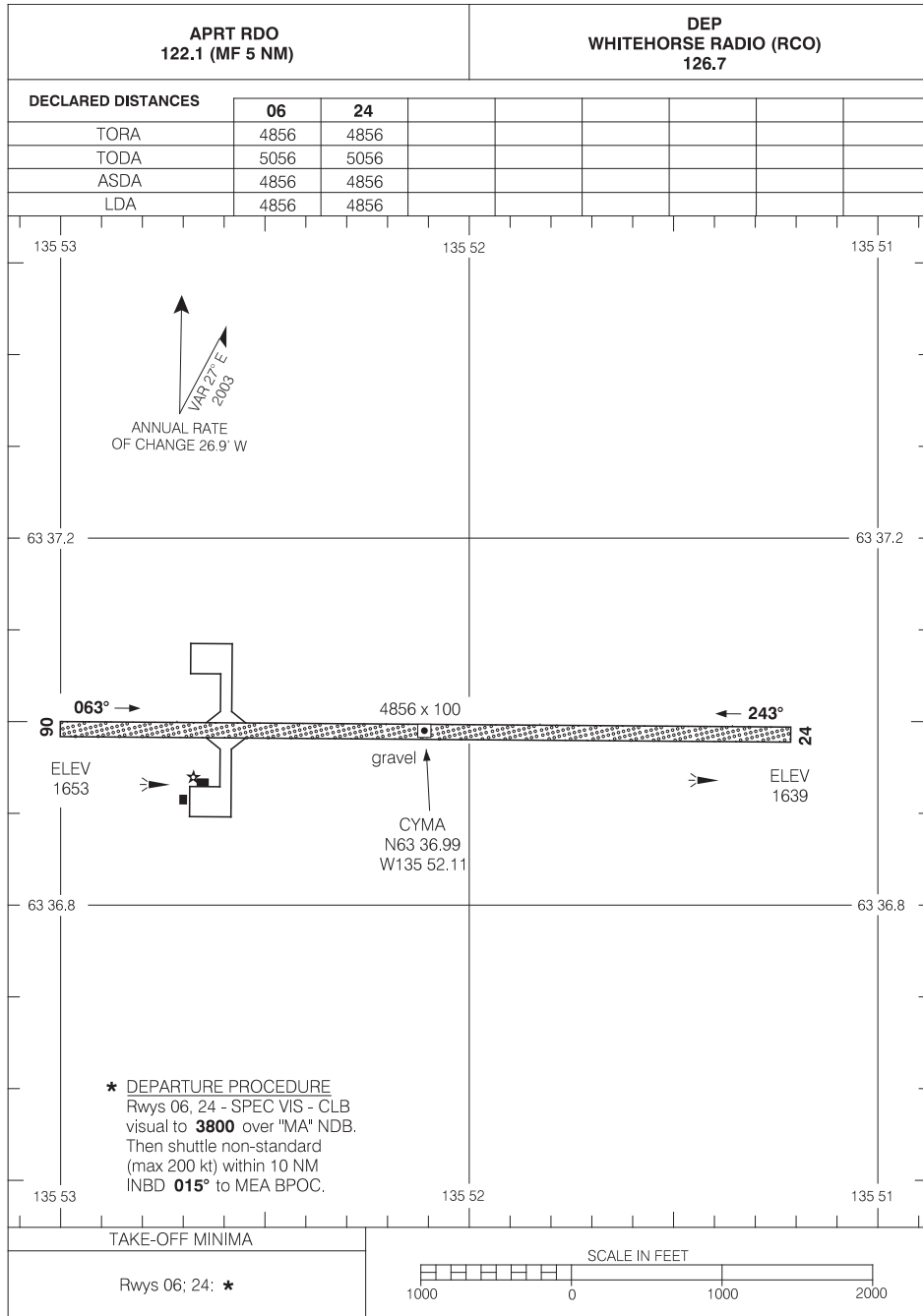
EFF 2 JUL 09

CHANGE: Rwy length, elevation, declared distances, departure procedure, departure climb rate

NAD83

# AERODROME CHART

MAYO  
MAYO YT



Source of Canadian Civil Aeronautical Data : © 2010 NAV CANADA All rights reserved

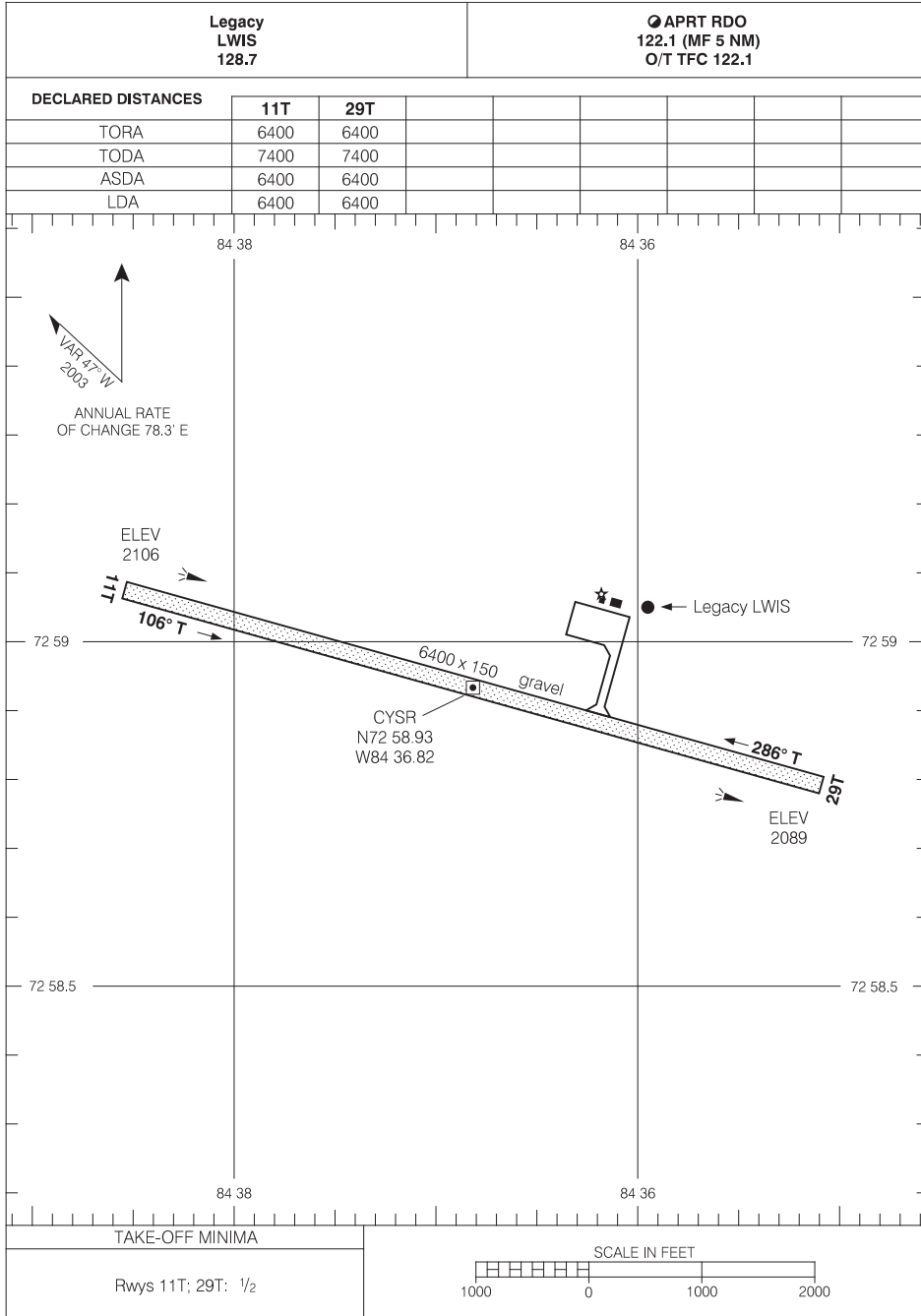
# AERODROME CHART

MAYO YT  
MAYO  
NAD83

EFF 8 JUN 06      CHANGE: Editorial

# AERODROME CHART

NANISIVIK  
NANISIVIK NU



Source of Canadian Civil Aeronautical Data : © 2010 NAV CANADA All rights reserved

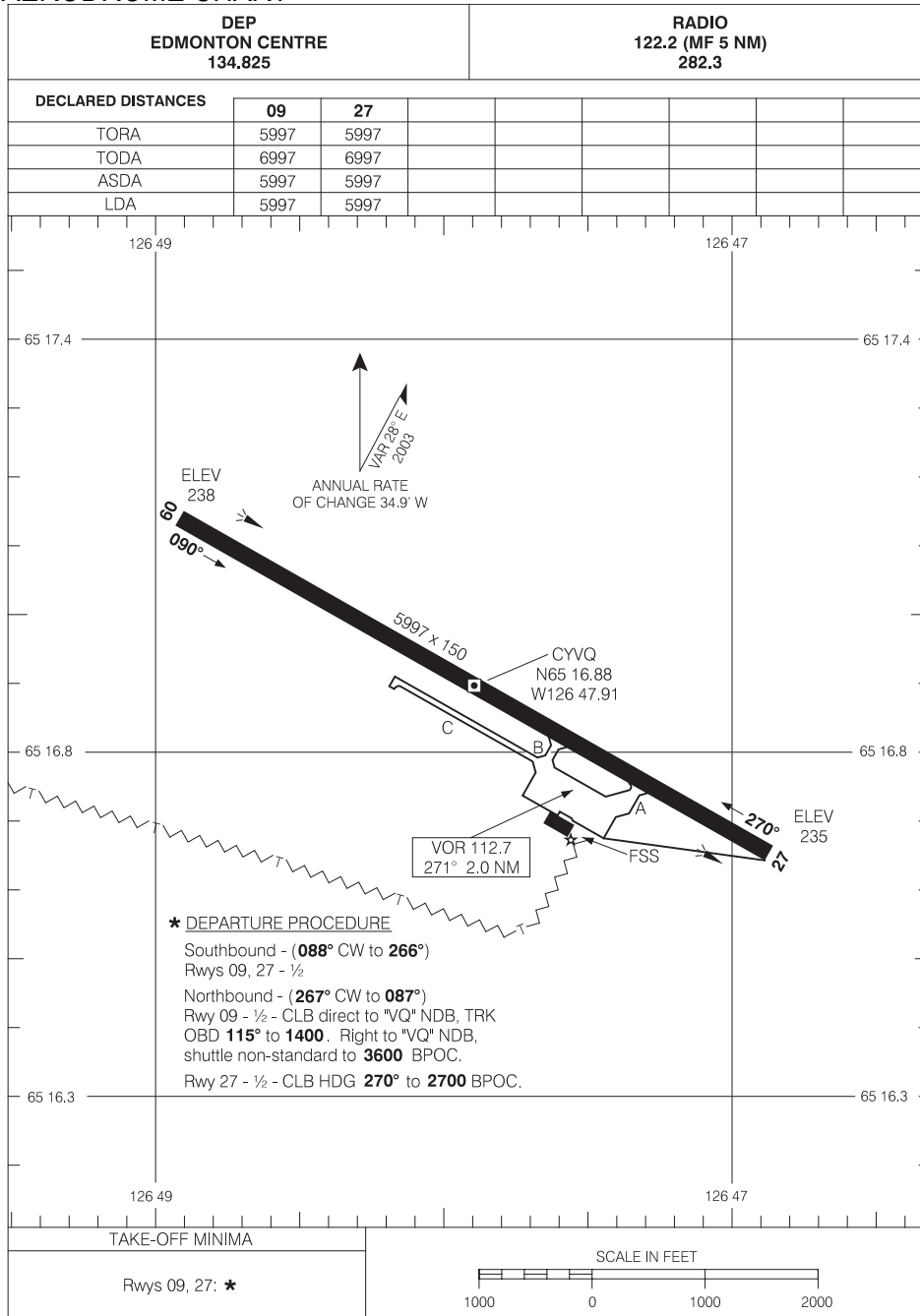
# AERODROME CHART

NANISIVIK NU  
NANISIVIK  
NAD83

EFF 20 NOV 08 CHANGE: LWIS

# AERODROME CHART

NORMAN WELLS  
NORMAN WELLS NT



Source of Canadian Civil Aeronautical Data : © 2010 NAV CANADA All rights reserved

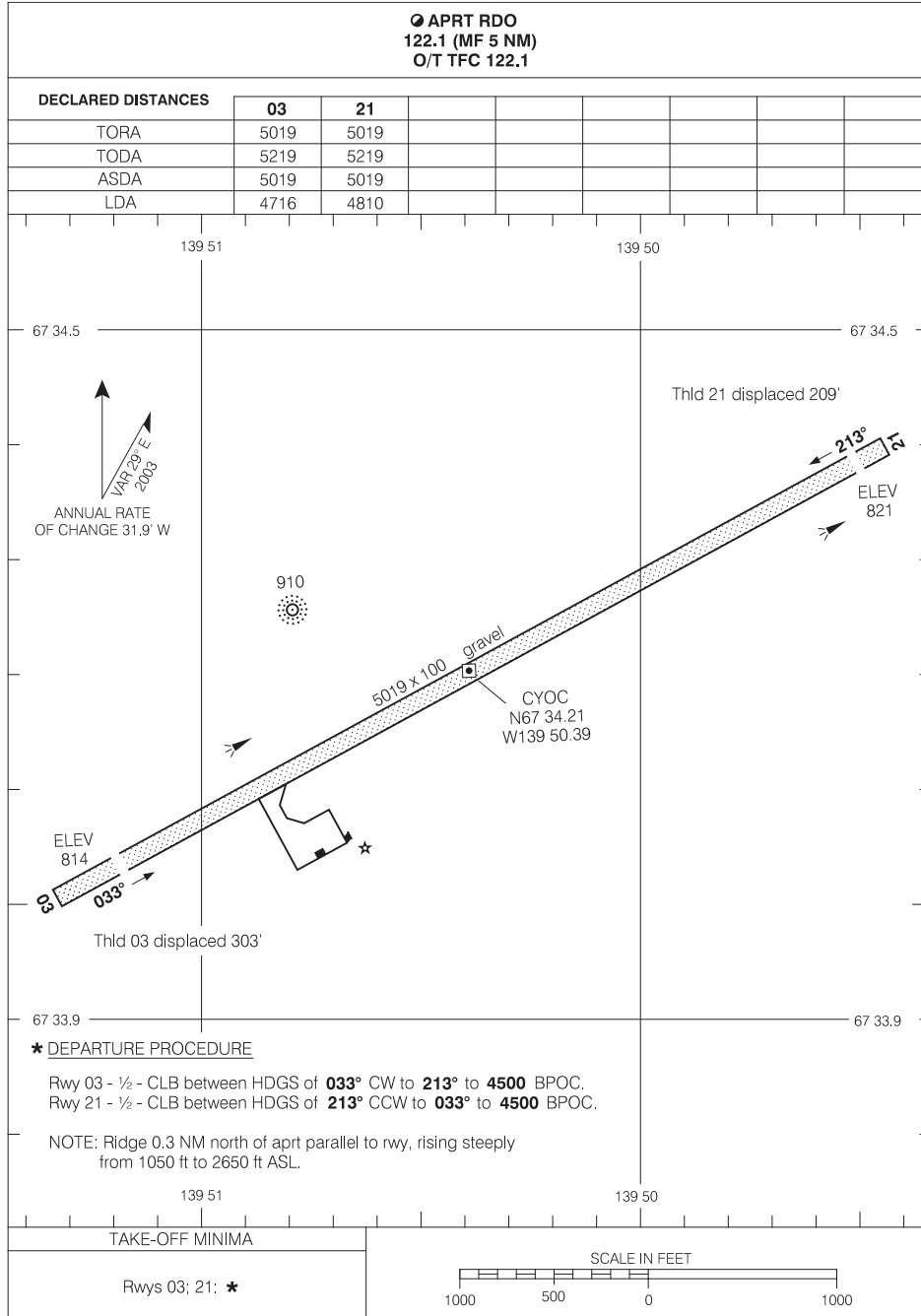
# AERODROME CHART

NORMAN WELLS NT  
NORMAN WELLS  
NAD83

EFF 27 AUG 09 CHANGE: AGCC

# AERODROME CHART

OLD CROW  
OLD CROW YT



# AERODROME CHART

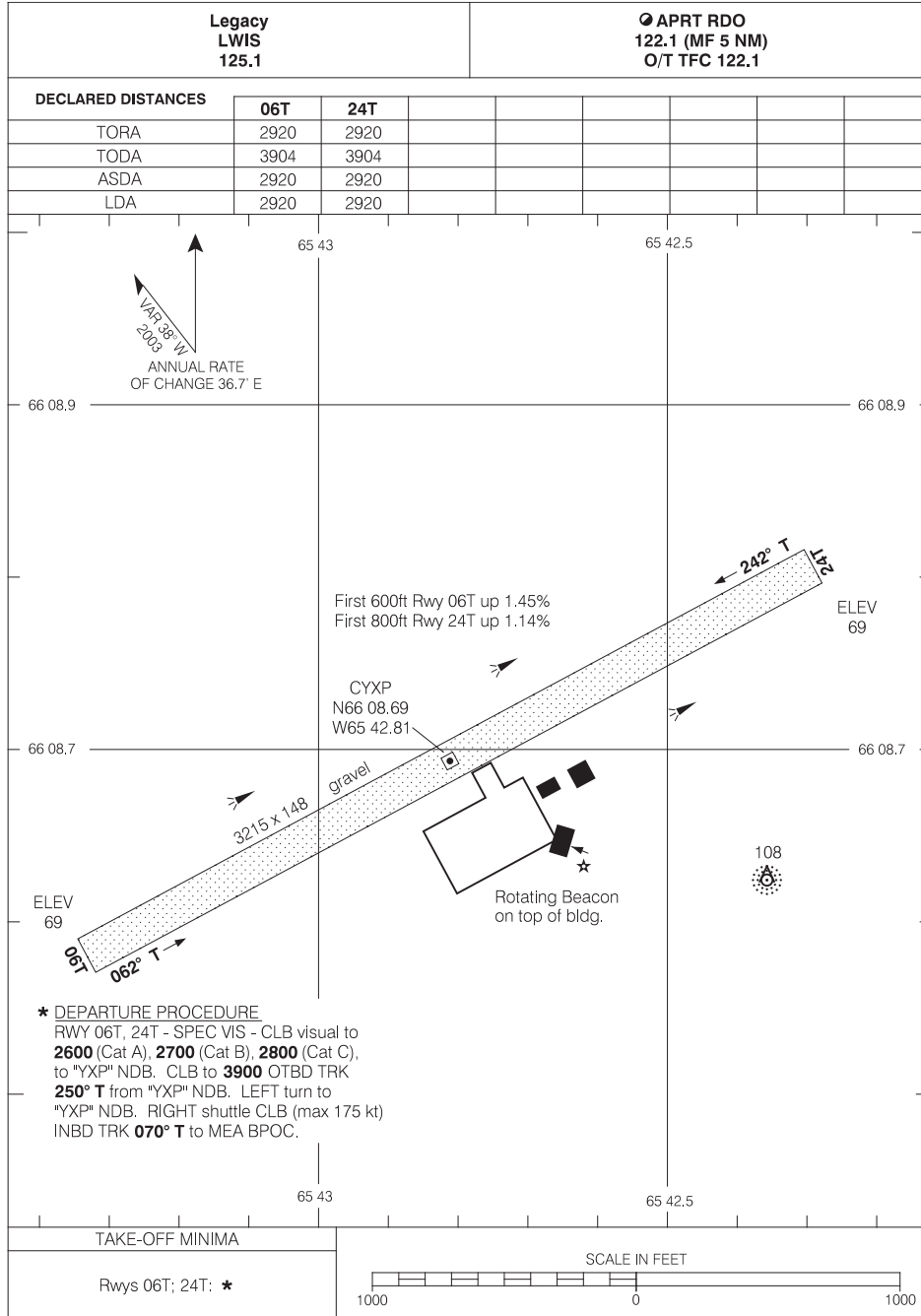
OLD CROW YT  
OLD CROW  
NAD83

EFF 22 OCT 09 CHANGE: Revised



# AERODROME CHART

PANGNIRTUNG  
PANGNIRTUNG NU



Source of Canadian Civil Aeronautical Data : © 2010 NAV CANADA All rights reserved

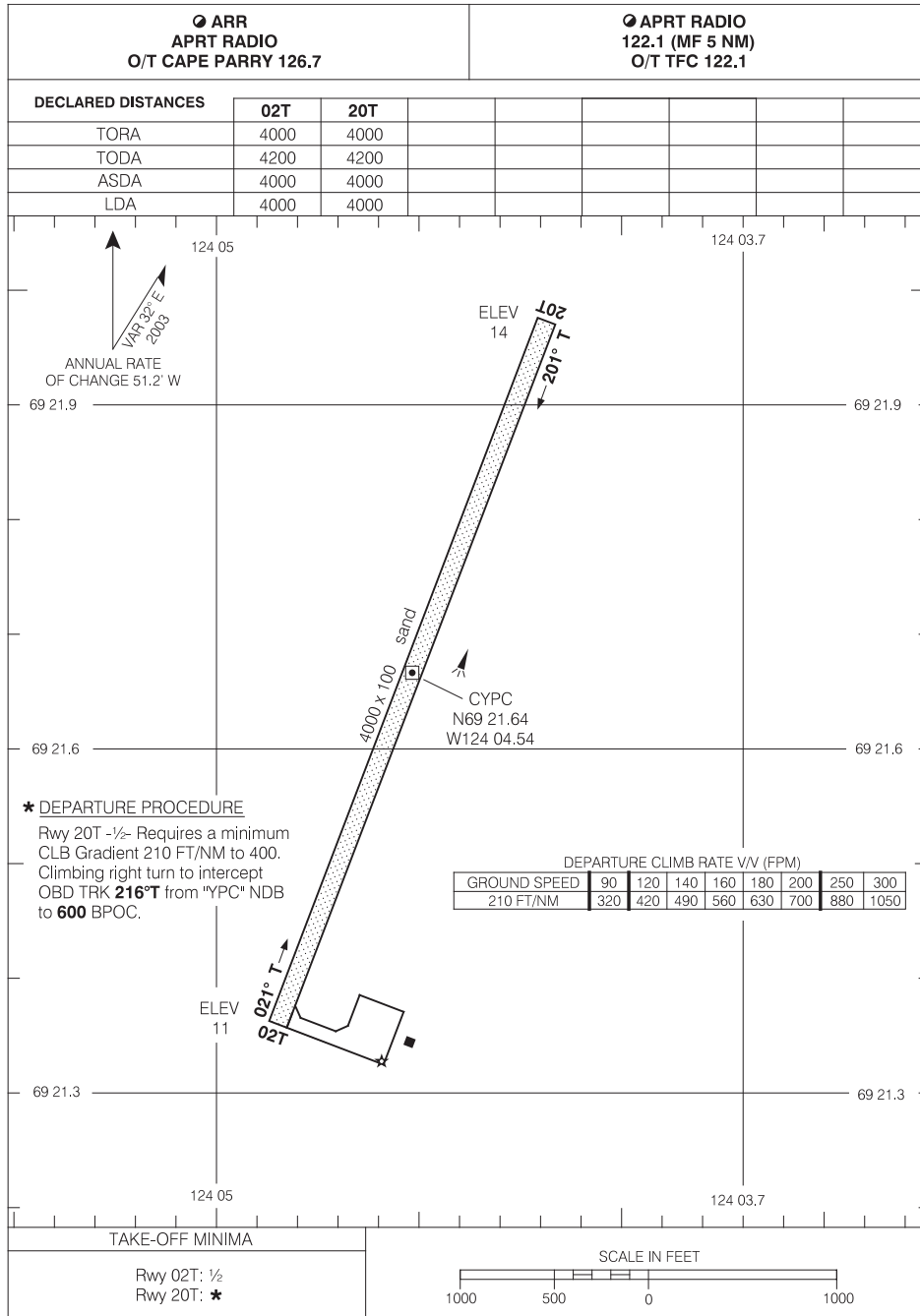
# AERODROME CHART

PANGNIRTUNG NU  
PANGNIRTUNG  
NAD83

EFF 11 FEB 10 CHANGE: Windssocks, thld elev, rwy length, declared distances

# AERODROME CHART

PAULATUK  
PAULATUK NT



Source of Canadian Civil Aeronautical Data : © 2010 NAV CANADA All rights reserved

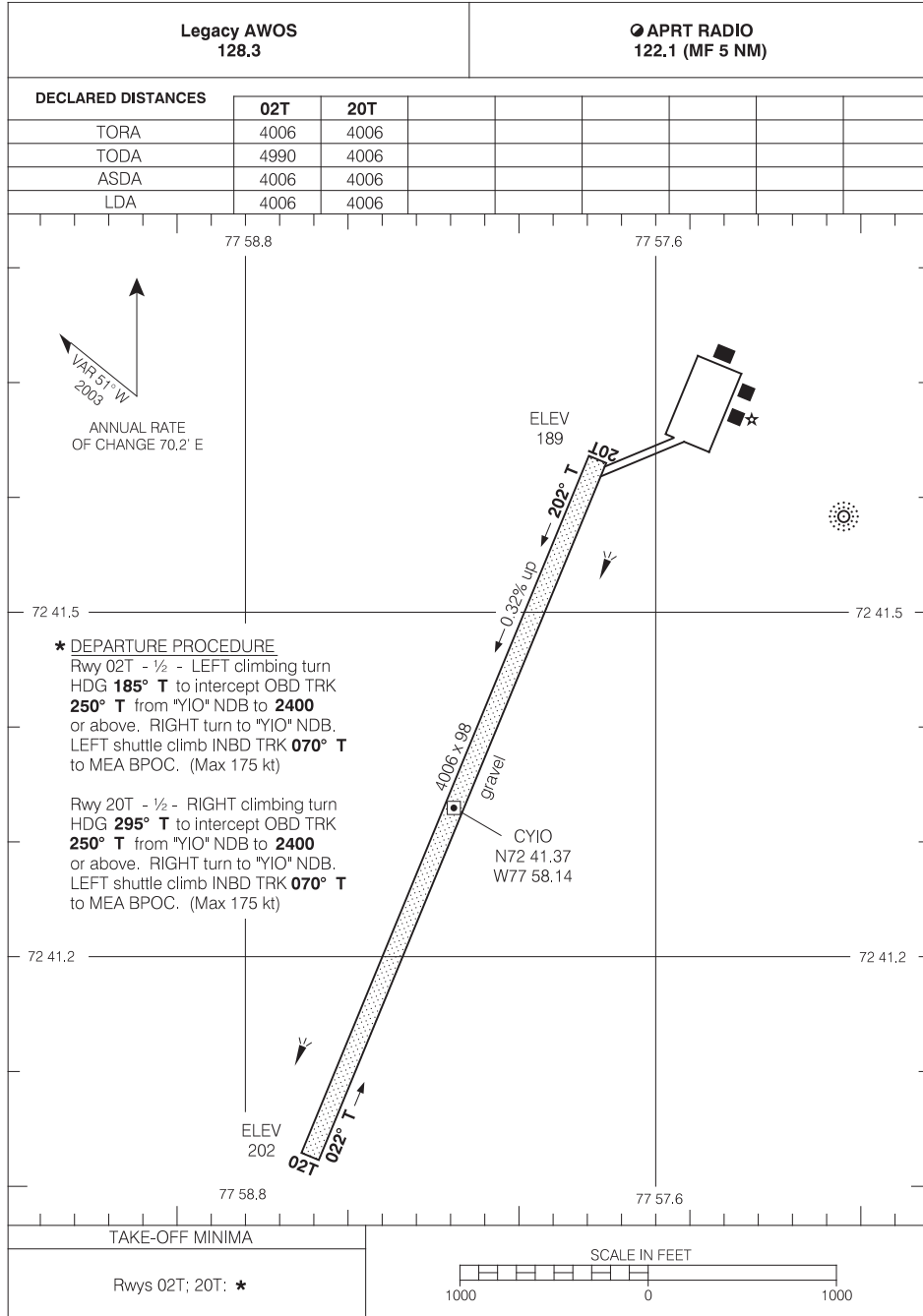
# AERODROME CHART

PAULATUK NT  
PAULATUK  
NAD83

EFF 31 JUL 08 CHANGE: Rwy headings

# AERODROME CHART

POND INLET  
POND INLET NU



Source of Canadian Civil Aeronautical Data : © 2010 NAV CANADA All rights reserved

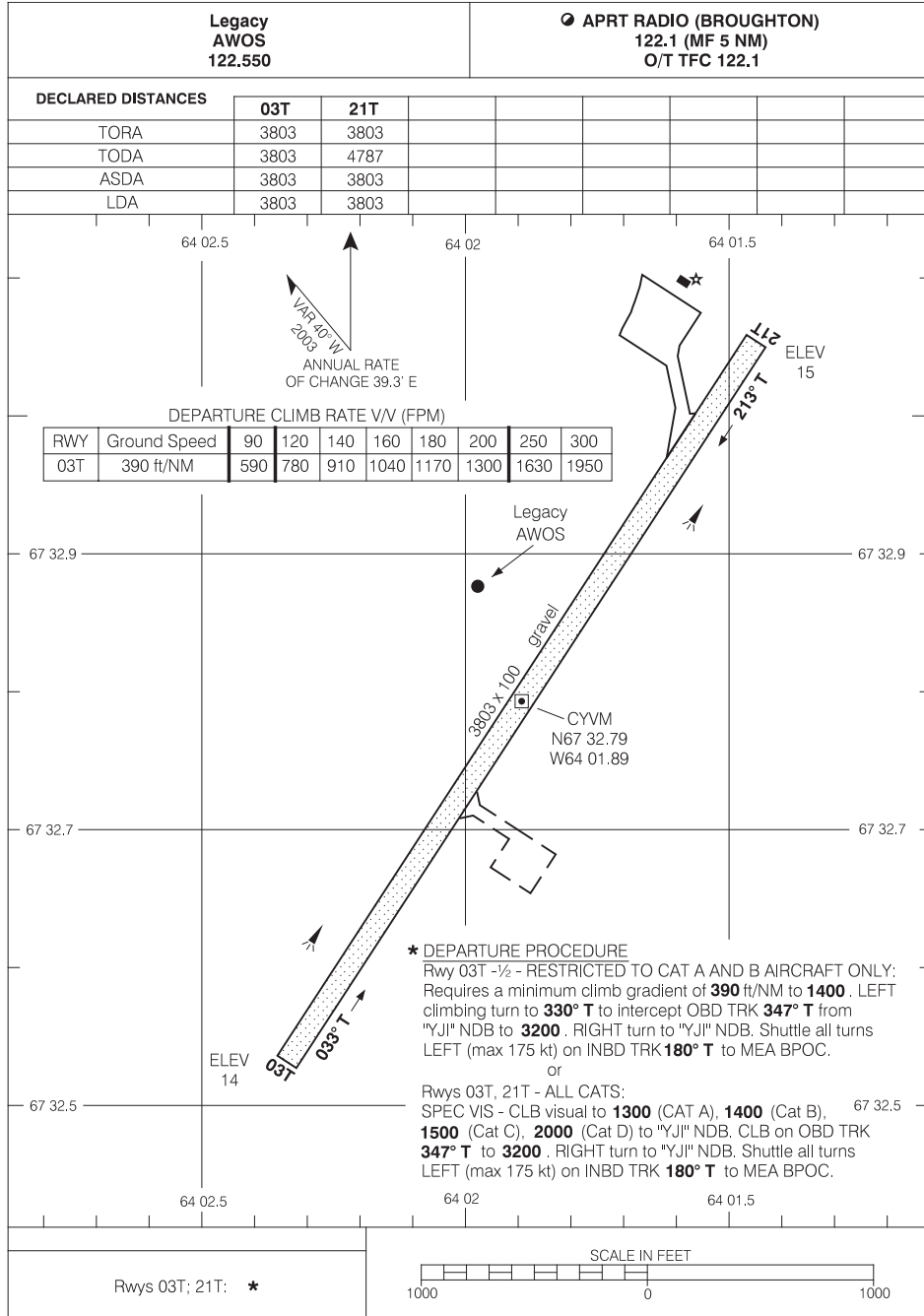
# AERODROME CHART

POND INLET NU  
POND INLET  
NAD83

EFF 17 DEC 09 CHANGE: Rwy slope added

# AERODROME CHART

QIKIQTARJUAQ  
QIKIQTARJUAQ NU



Source of Canadian Civil Aeronautical Data : © 2010 NAV CANADA All rights reserved

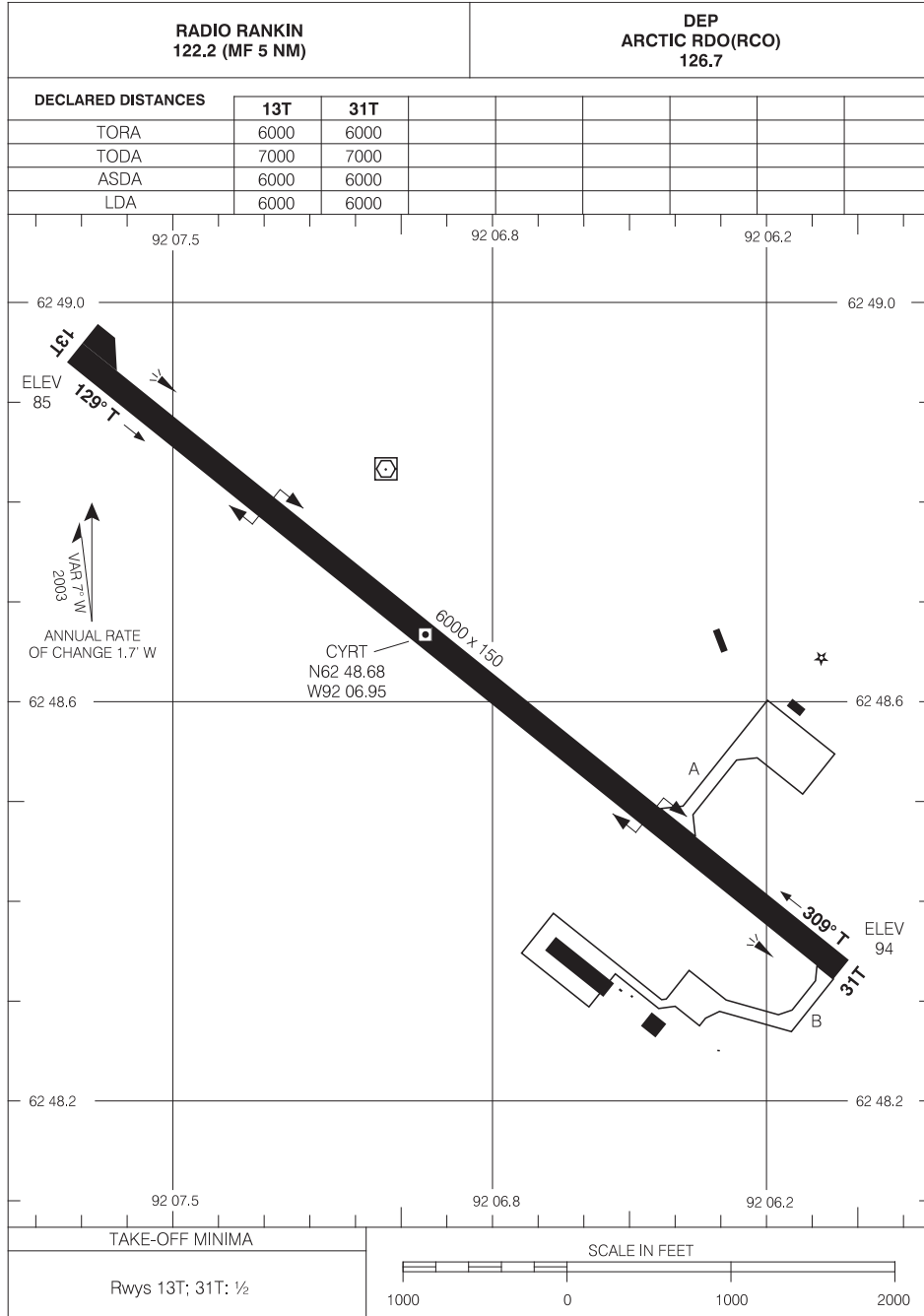
# AERODROME CHART

QIKIQTARJUAQ NU  
QIKIQTARJUAQ  
NAD83

EFF 11 FEB 10 CHANGE: AGCC, rwy length, declared distances, thld elevations

# AERODROME CHART

RANKIN INLET  
RANKIN INLET NU



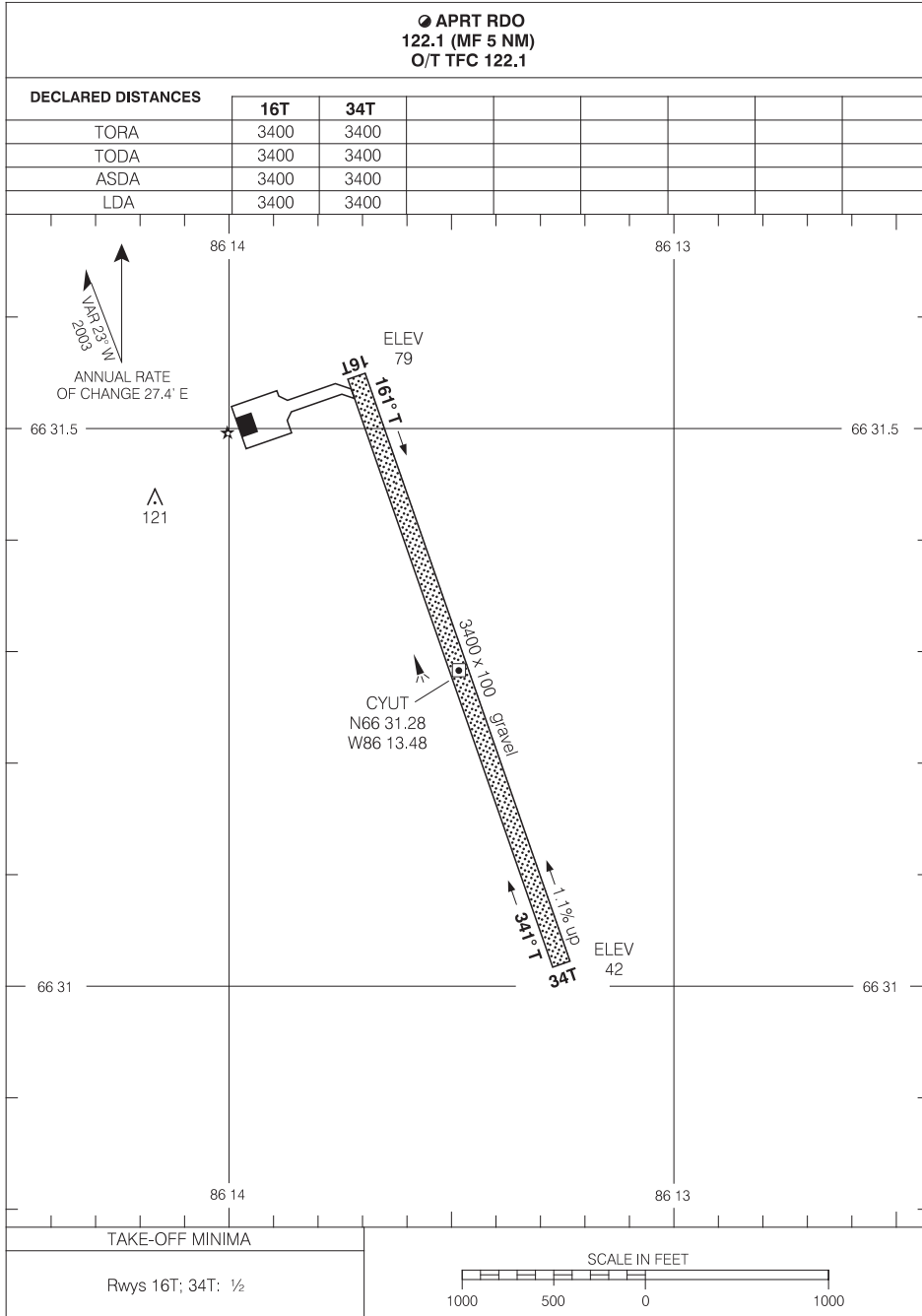
# AERODROME CHART

RANKIN INLET NU  
RANKIN INLET  
NAD83

EFF 16 FEB 06 CHANGE: Comm box

# AERODROME CHART

REPULSE BAY  
REPULSE BAY NU



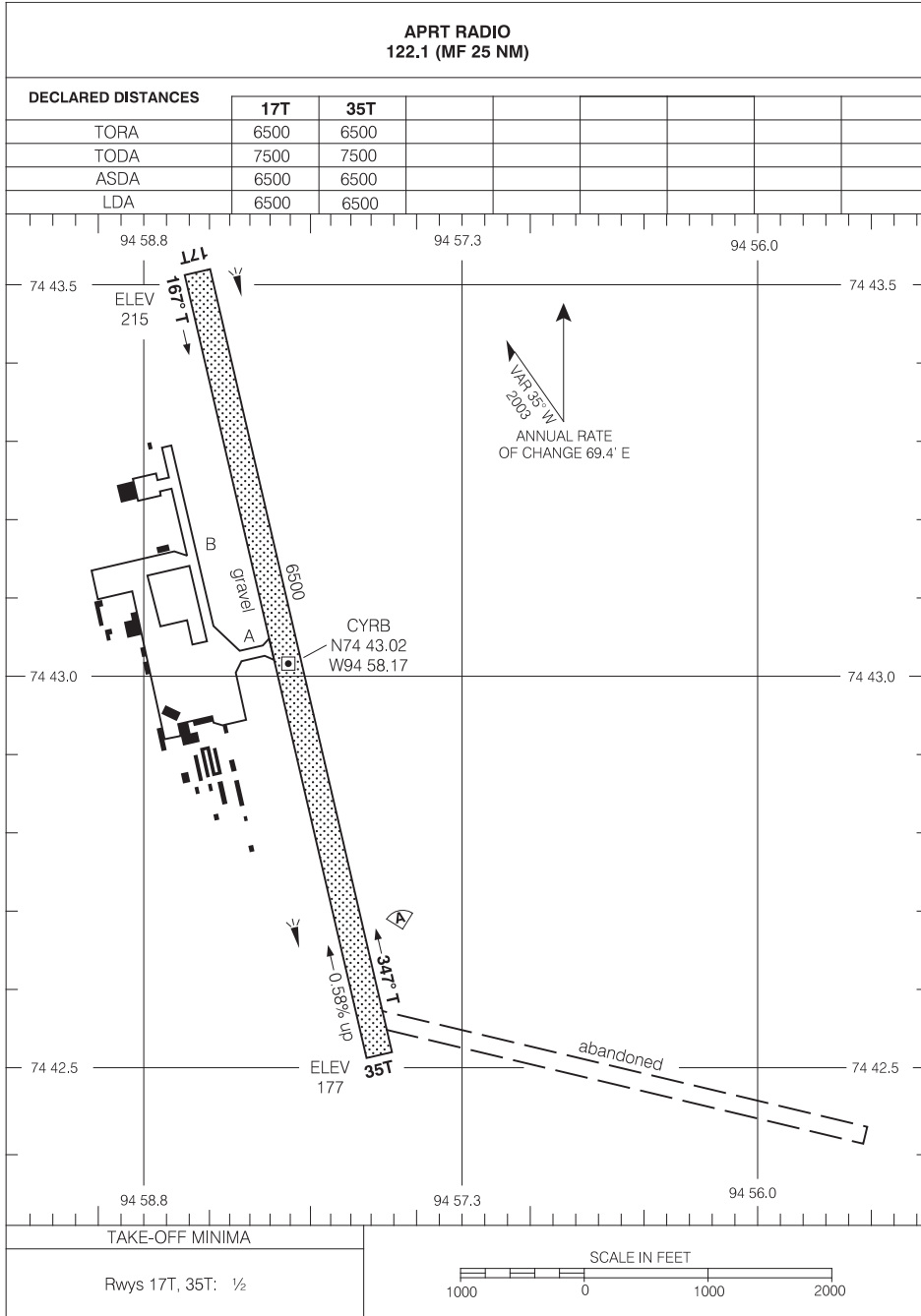
# AERODROME CHART

REPULSE BAY NU  
REPULSE BAY  
NAD83

EFF 13 APR 06 CHANGE: Declared distances

# AERODROME CHART

RESOLUTE BAY  
RESOLUTE BAY NU



Source of Canadian Civil Aeronautical Data : © 2010 NAV CANADA All rights reserved

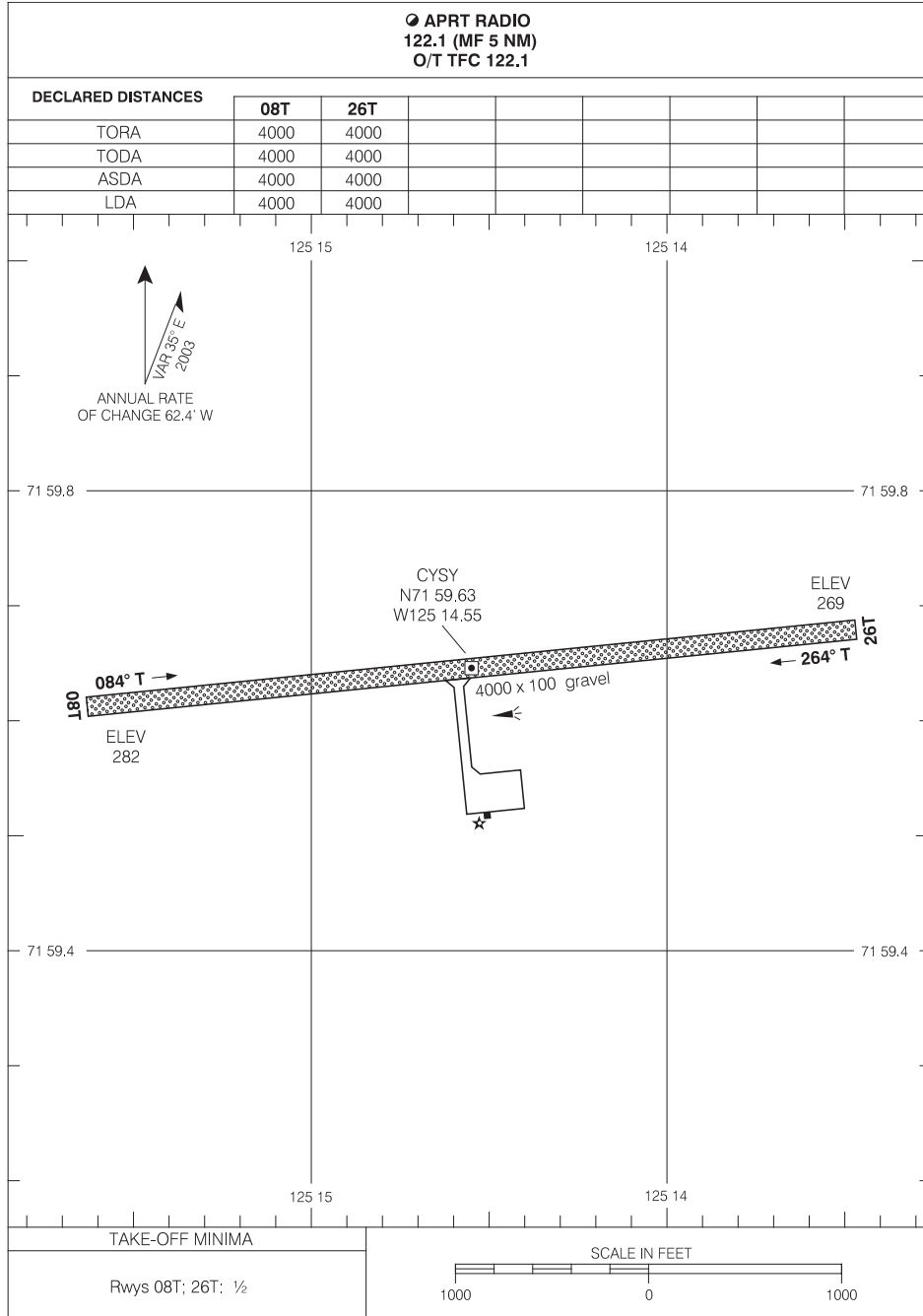
# AERODROME CHART

RESOLUTE BAY NU  
RESOLUTE BAY  
NAD83

EFF 27 AUG 09 CHANGE: VOT deleted

# AERODROME CHART

SACHS HARBOUR  
SACHS HARBOUR NT



Source of Canadian Civil Aeronautical Data : © 2010 NAV CANADA All rights reserved

# AERODROME CHART

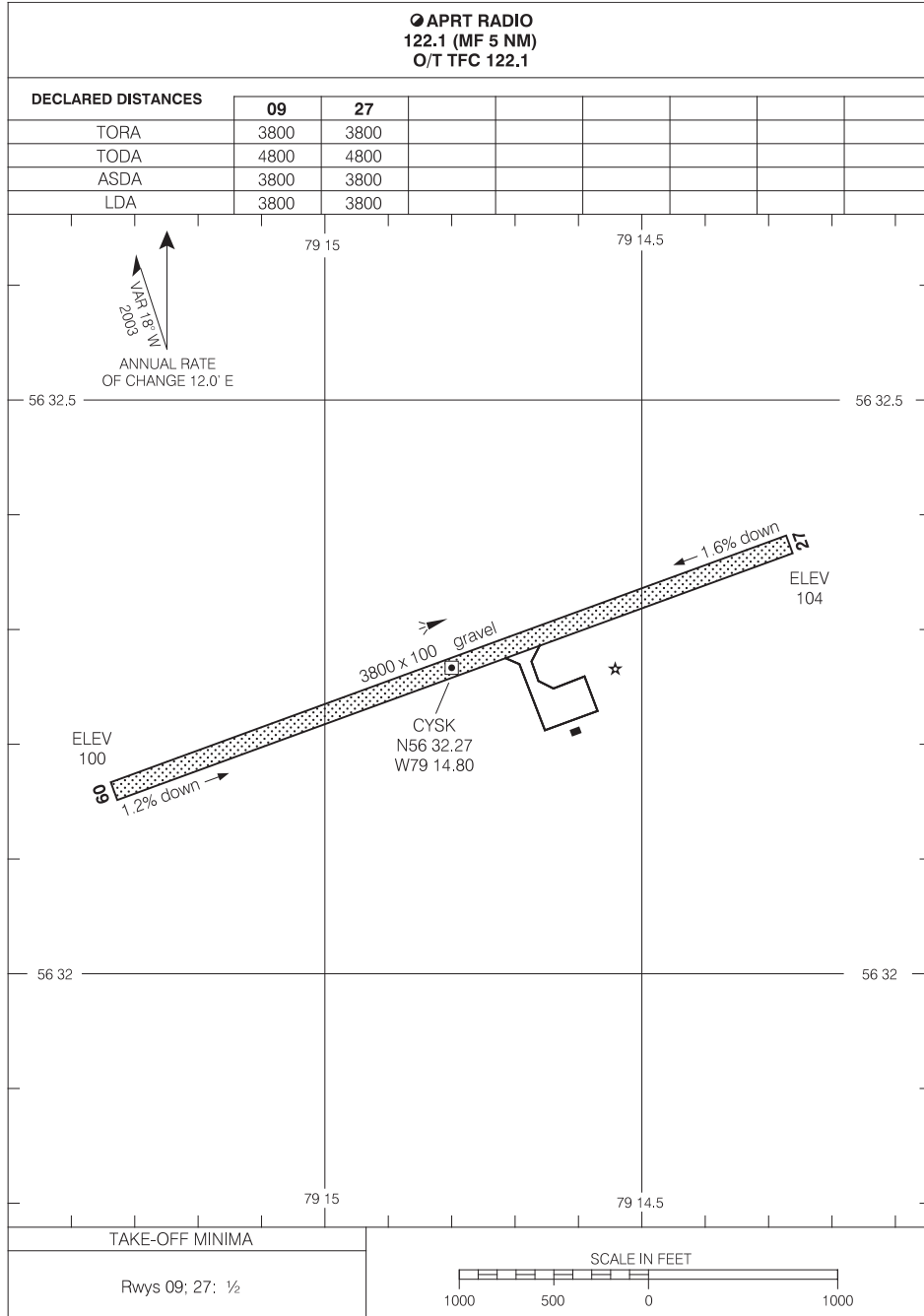
SACHS HARBOUR NT  
SACHS HARBOUR  
NAD83

EFF 8 JUN 06 CHANGE: Threshold elevations



# AERODROME CHART

SANIKILUAQ  
SANIKILUAQ NU



Source of Canadian Civil Aeronautical Data : © 2010 NAV CANADA All rights reserved

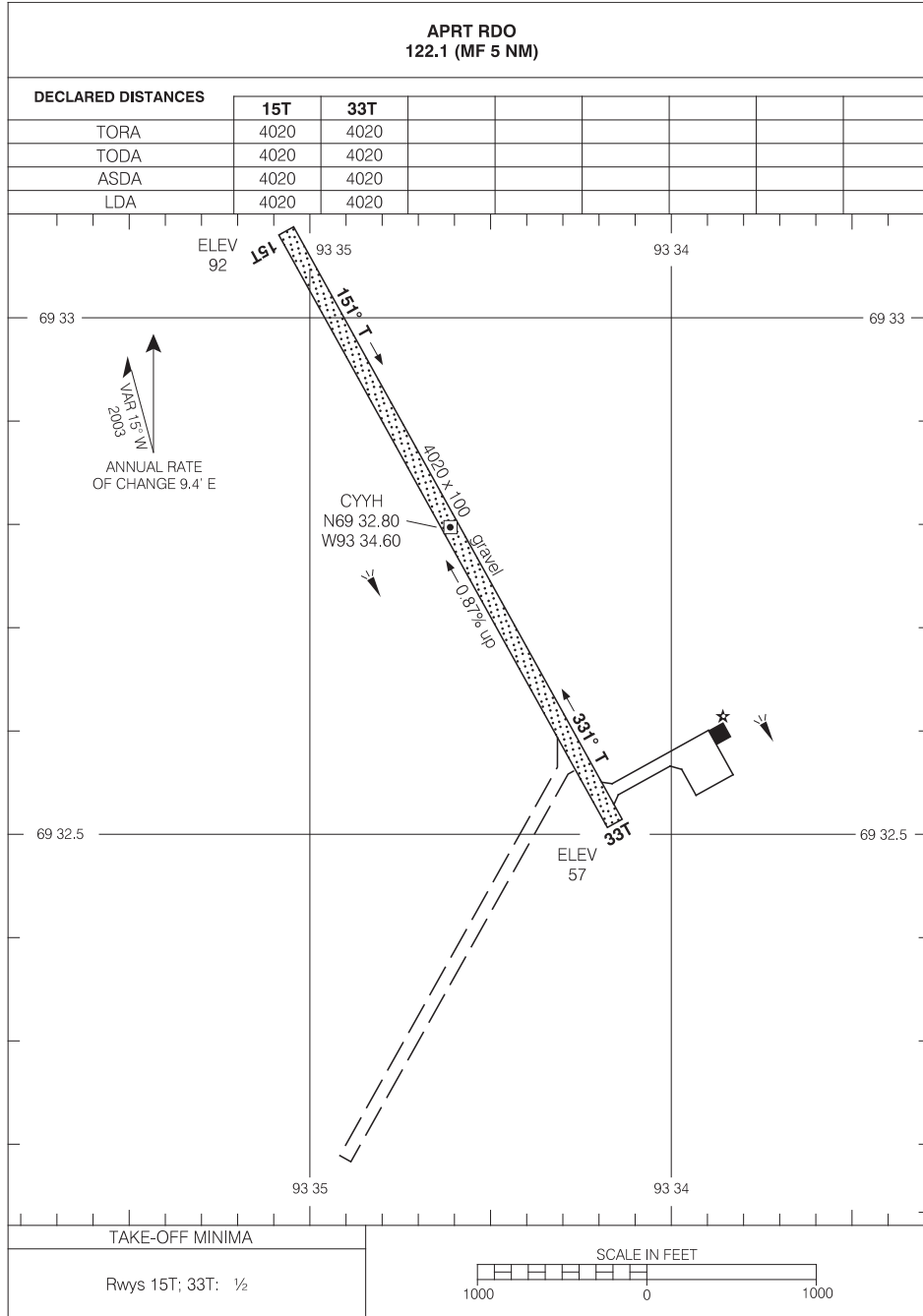
# AERODROME CHART

SANIKILUAQ NU  
SANIKILUAQ  
NAD83

EFF 2 JUL 09      CHANGE: Rwy gradient

# AERODROME CHART

TALOYOAK  
TALOYOAK NU



Source of Canadian Civil Aeronautical Data : © 2010 NAV CANADA All rights reserved

# AERODROME CHART

TALOYOAK NU  
TALOYOAK  
NAD83

EFF 13 APR 06 CHANGE: Declared distances

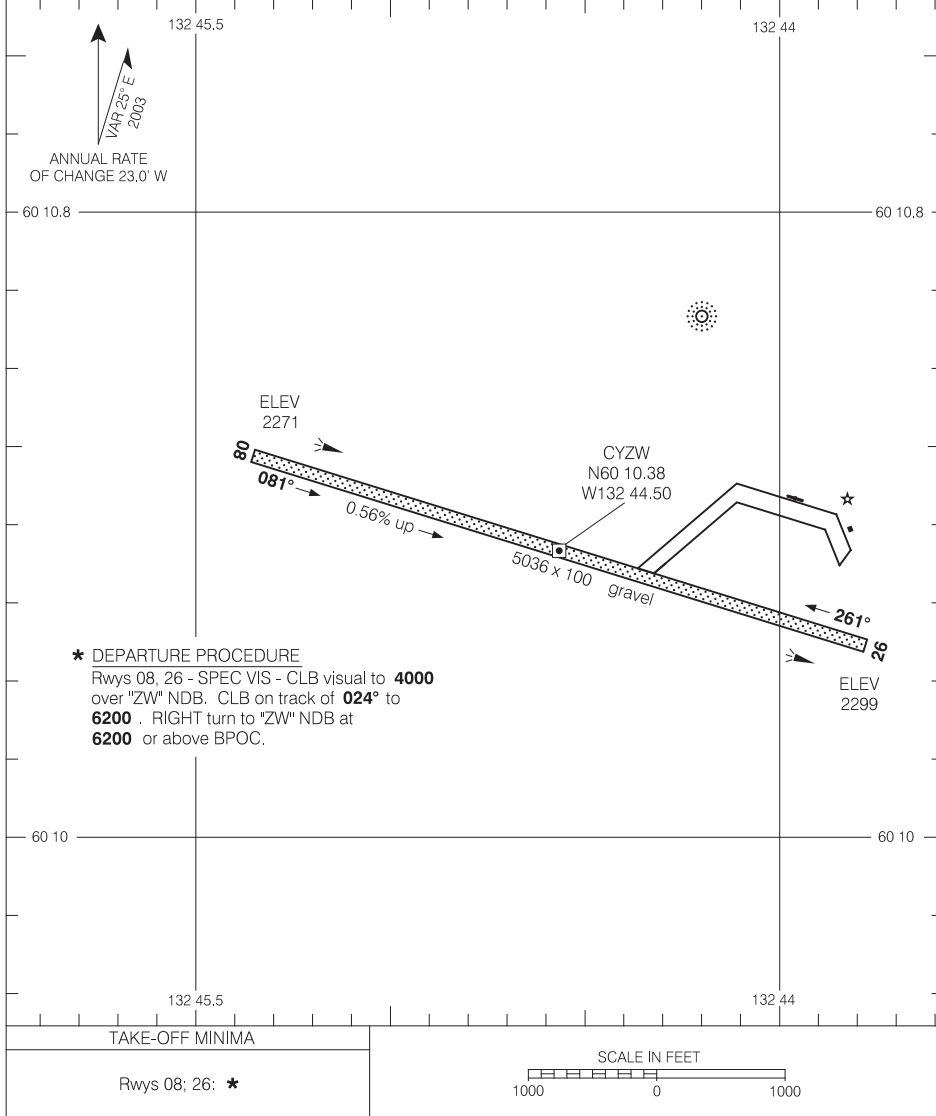
# AERODROME CHART

TESLIN  
TESLIN YT

● APRT RDO  
122.1 (MF 5 NM)  
O/T TFC 122.1

**DECLARED DISTANCES**

	08	26					
TORA	5036	5036					
TODA	5236	5236					
ASDA	5036	5036					
LDA	5036	5036					



# AERODROME CHART

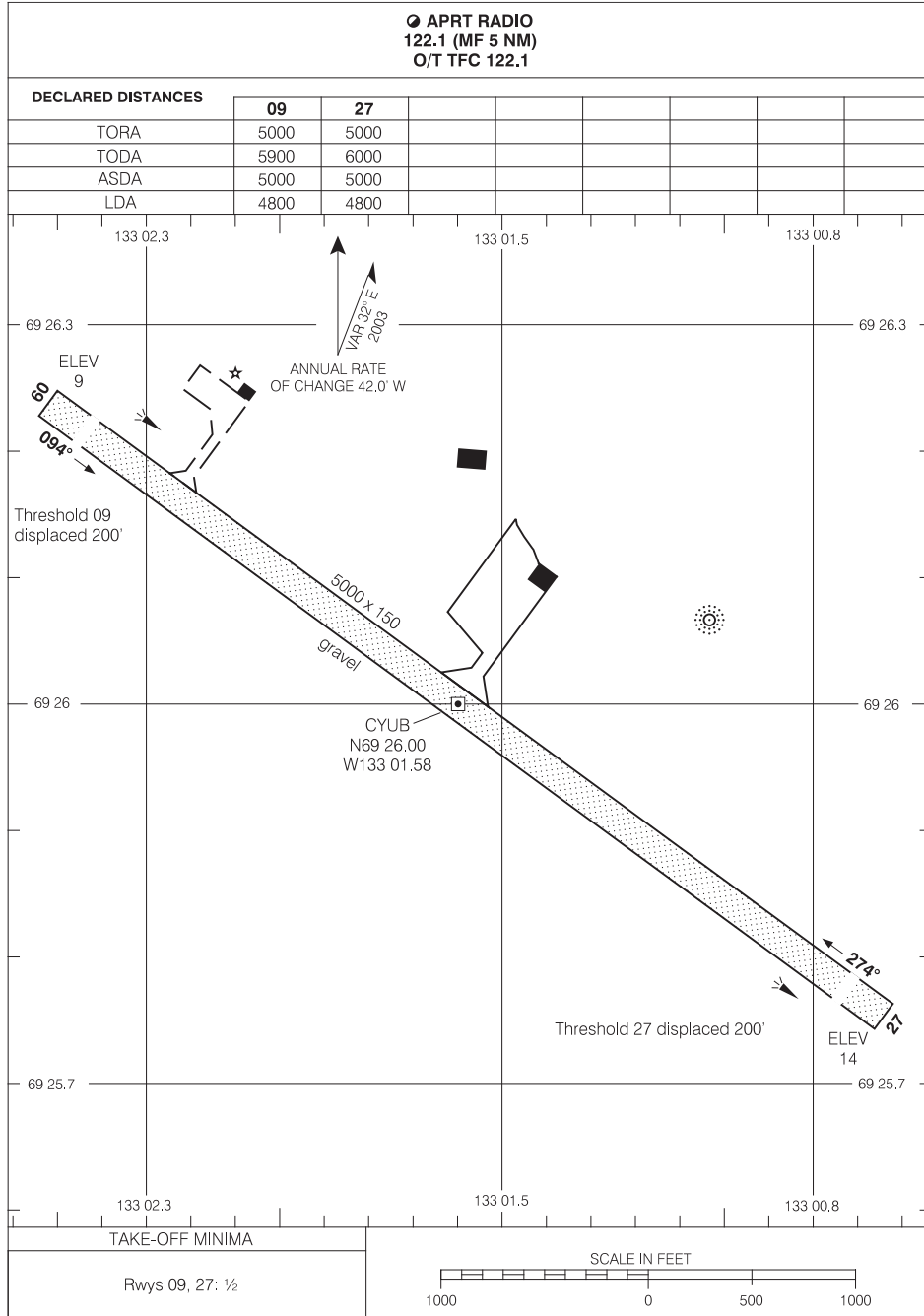
TESLIN YT  
TESLIN  
NAD83

EFF 7 MAY 09

CHANGE: Declared distance, runway length, elevation, mag brg

# AERODROME CHART

TUKTOYAKTUK / JAMES GRUBEN  
TUKTOYAKTUK NT



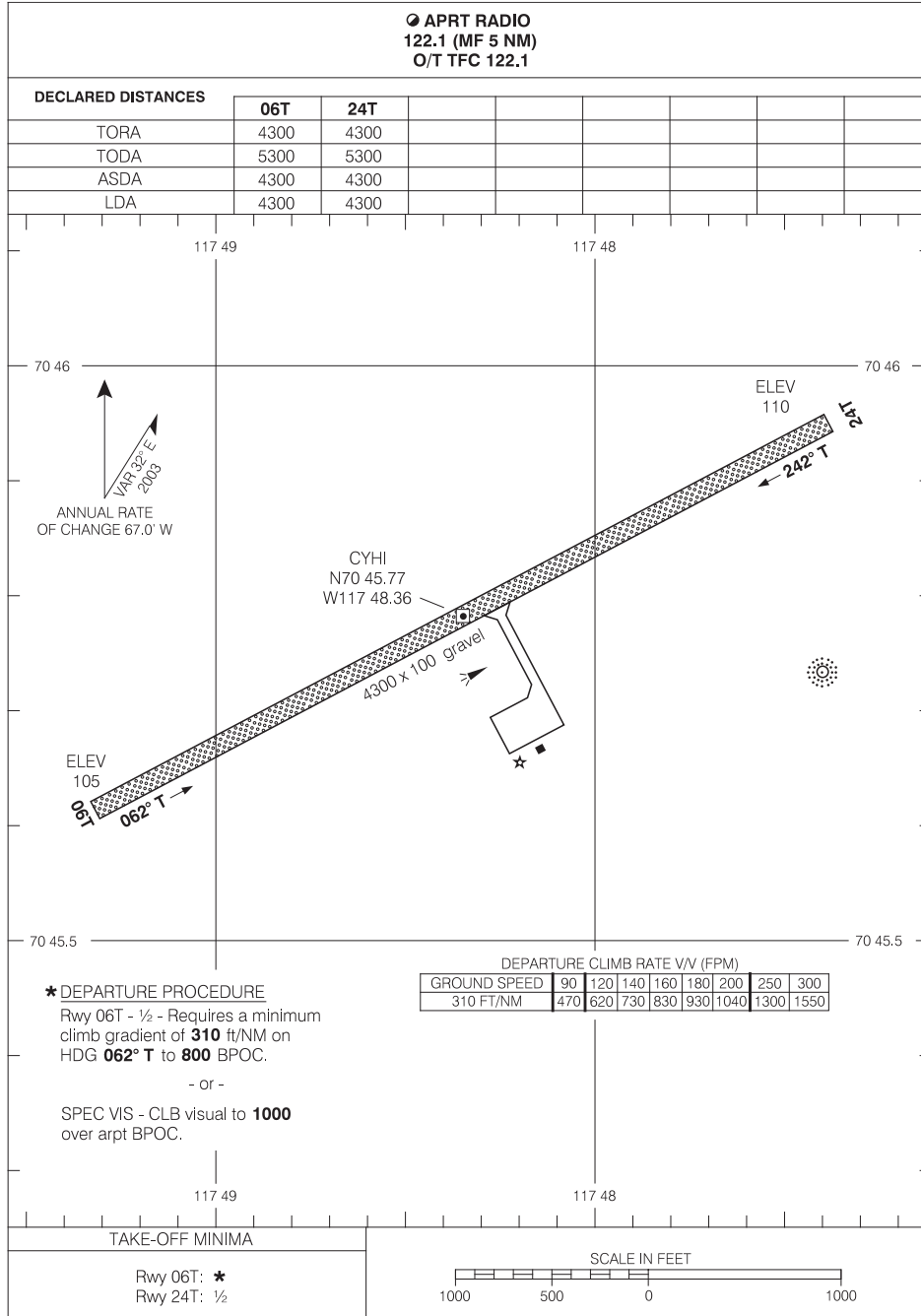
# AERODROME CHART

TUKTOYAKTUK NT  
TUKTOYAKTUK / JAMES GRUBEN  
NAD83

EFF 20 NOV 08 CHANGE: Aerodrome name

# AERODROME CHART

ULUKHAKTOK/HOLMAN  
HOLMAN NT



Source of Canadian Civil Aeronautical Data : © 2010 NAV CANADA All rights reserved

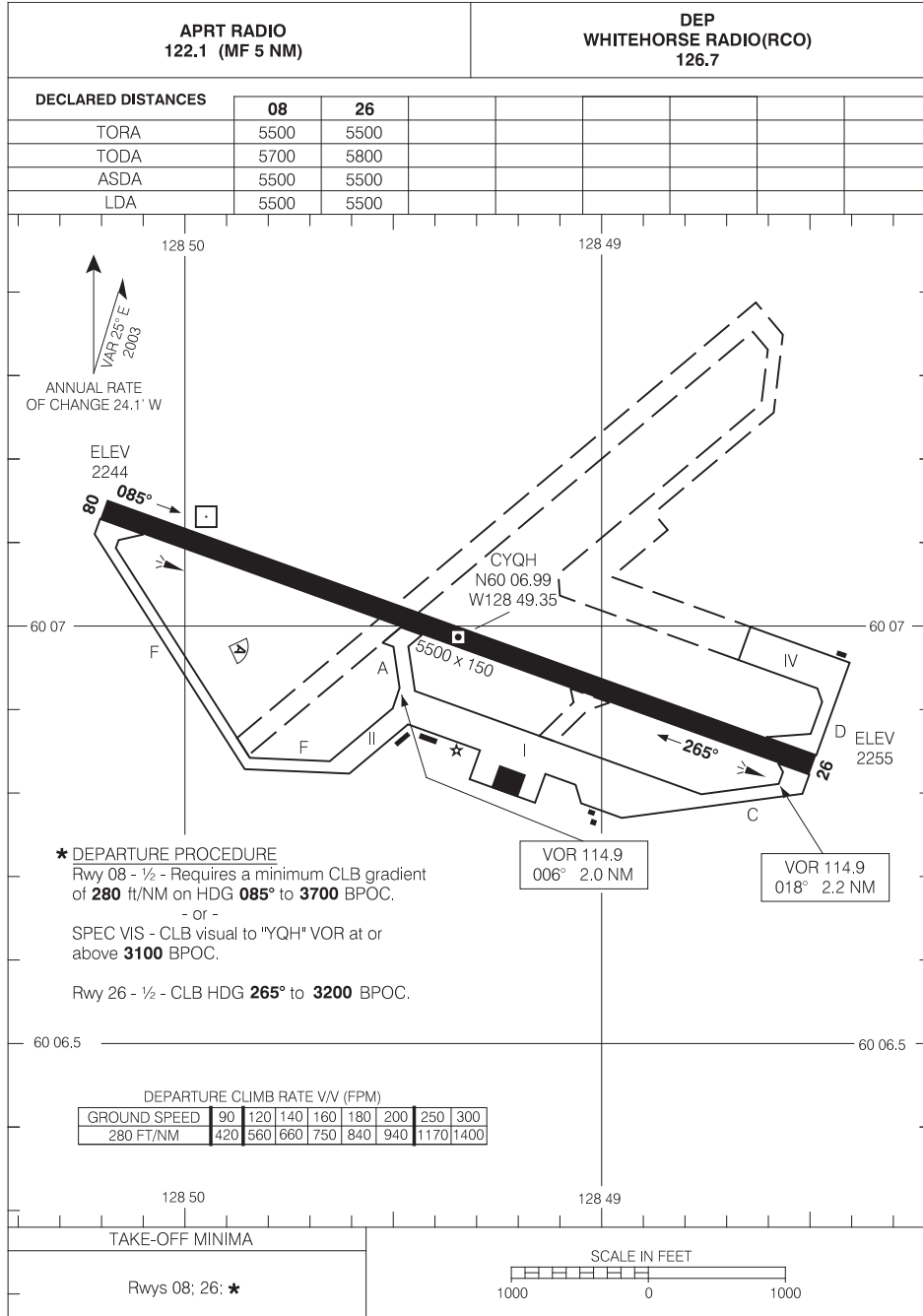
# AERODROME CHART

HOLMAN NT  
ULUKHAKTOK/HOLMAN  
NAD83

EFF 3 AUG 06    CHANGE: Aerodrome name

# AERODROME CHART

WATSON LAKE  
WATSON LAKE YT



Source of Canadian Civil Aeronautical Data : © 2010 NAV CANADA All rights reserved

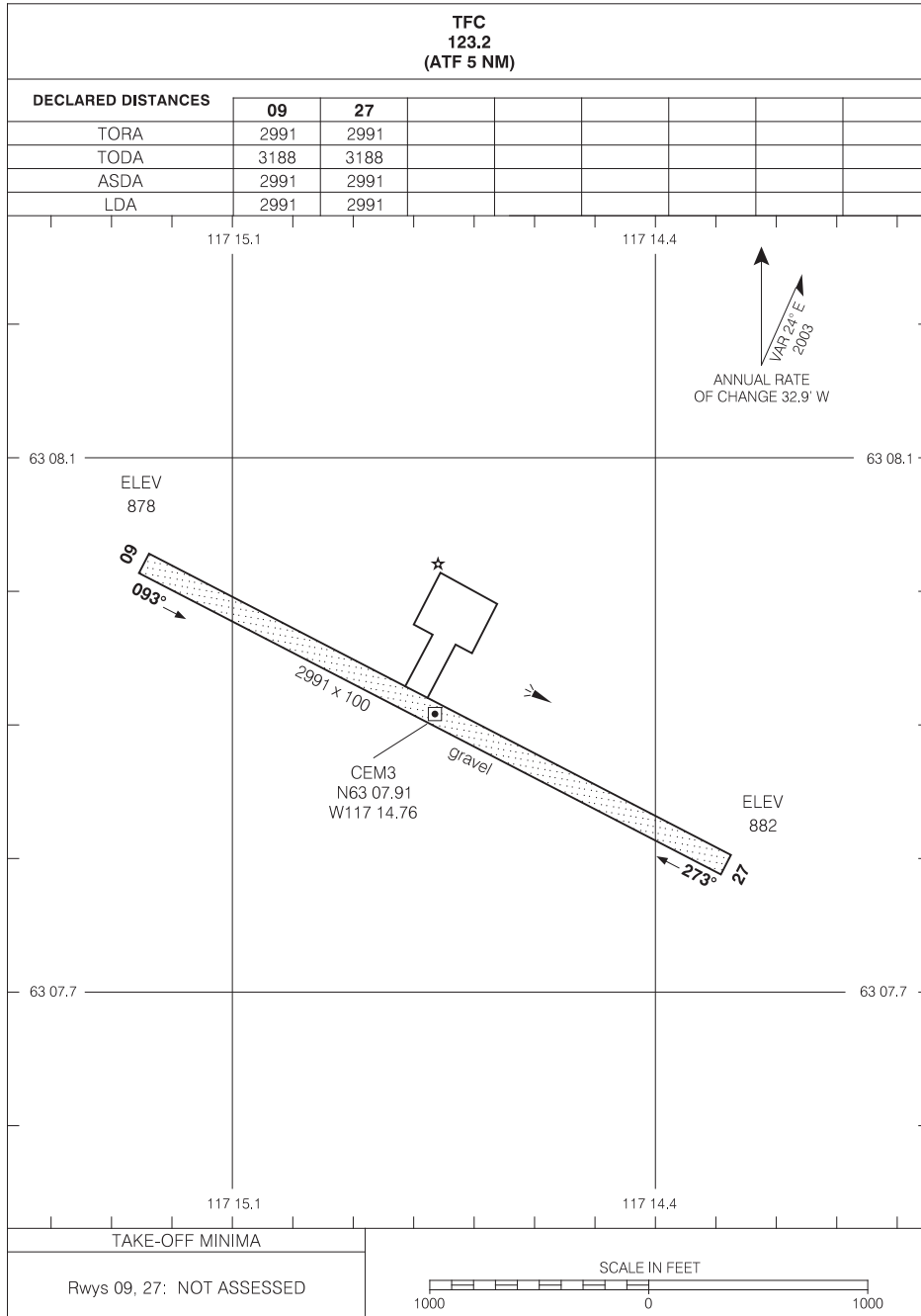
# AERODROME CHART

WATSON LAKE YT  
WATSON LAKE  
NAD83

EFF 2 JUL 09 CHANGE: AGCC

# AERODROME CHART

WHATI  
WHATI NT



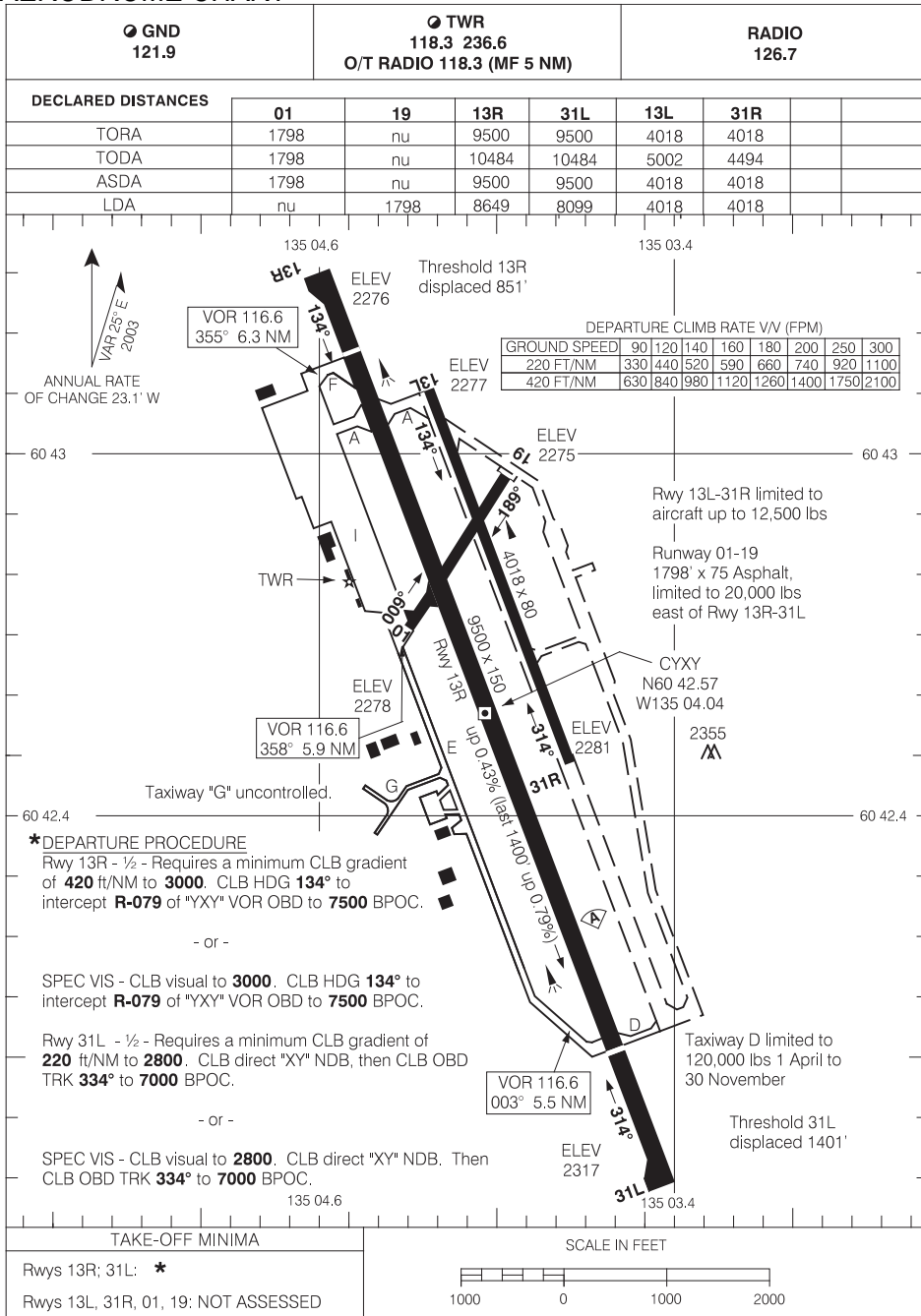
# AERODROME CHART

WHATI NT  
WHATI  
NAD83

EFF 11 FEB 10 CHANGE: New A/D chart

# AERODROME CHART

WHITEHORSE INTL  
WHITEHORSE YT



Source of Canadian Civil Aeronautical Data : © 2010 NAV CANADA All rights reserved

# AERODROME CHART

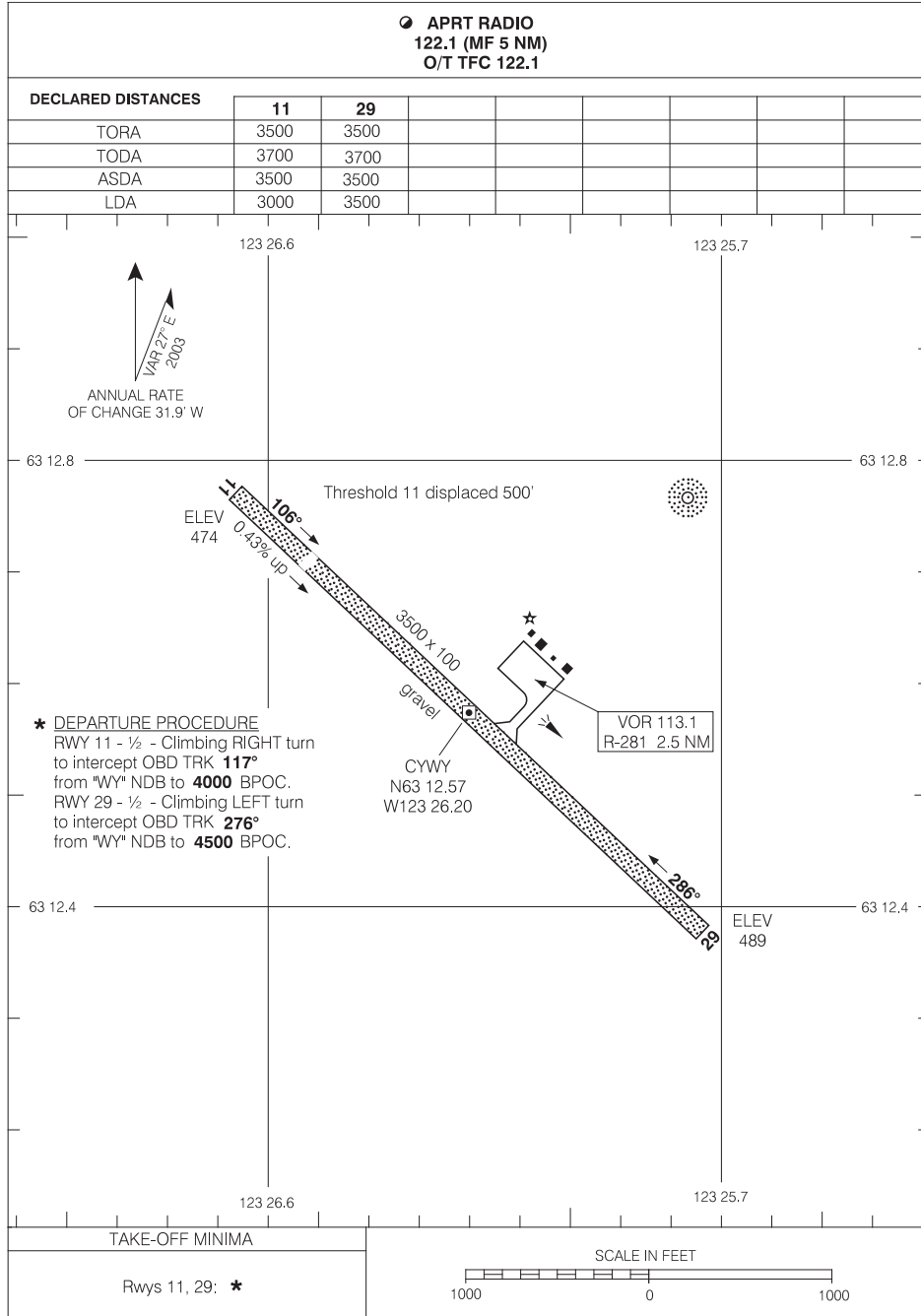
WHITEHORSE YT  
WHITEHORSE INTL  
NAD83

EFF 17 DEC 09 CHANGE: Revised



# AERODROME CHART

WRIGLEY  
WRIGLEY NT



Source of Canadian Civil Aeronautical Data : © 2010 NAV CANADA All rights reserved

# AERODROME CHART

WRIGLEY NT  
WRIGLEY  
NAD83

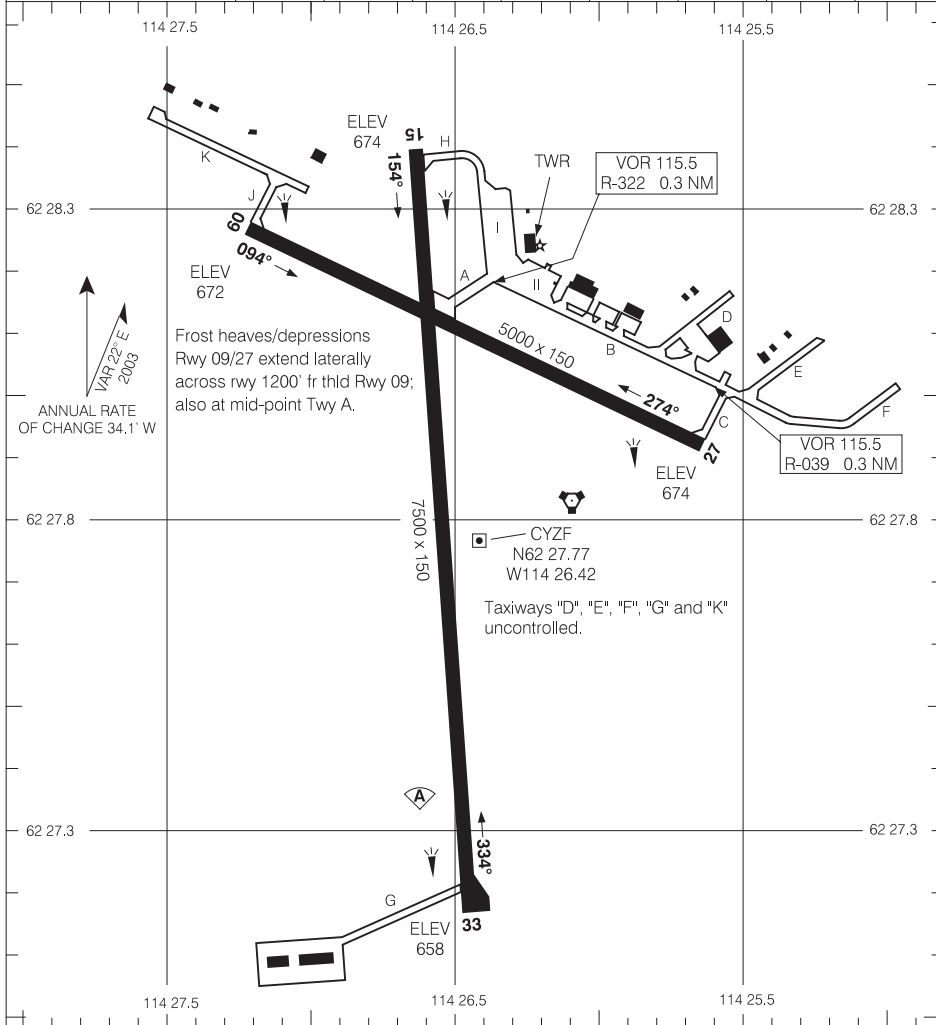
EFF 28 SEP 06 CHANGE: Rwy surface

# AERODROME CHART

YELLOWKNIFE  
YELLOWKNIFE NT

<b>ATIS</b> 128.4	<b>GND</b> 121.9	<b>TWR</b> 118.5 340.8 O/T RADIO 118.5 (MF 5 NM)	<b>RADIO (RCO)</b> ARCTIC RDO 126.7 122.5 262.0 (FISE)
----------------------	---------------------	--	--

DECLARED DISTANCES	09	27	15	33
TORA	5000	5000	7500	7500
TODA	6000	6000	8500	8500
ASDA	5000	5000	7500	7500
LDA	5000	5000	7500	7500



TAKE-OFF MINIMA	SCALE IN FEET
All Rwyys: ½	1000 0 1000 2000

# AERODROME CHART

YELLOWKNIFE NT  
YELLOWKNIFE  
NAD83

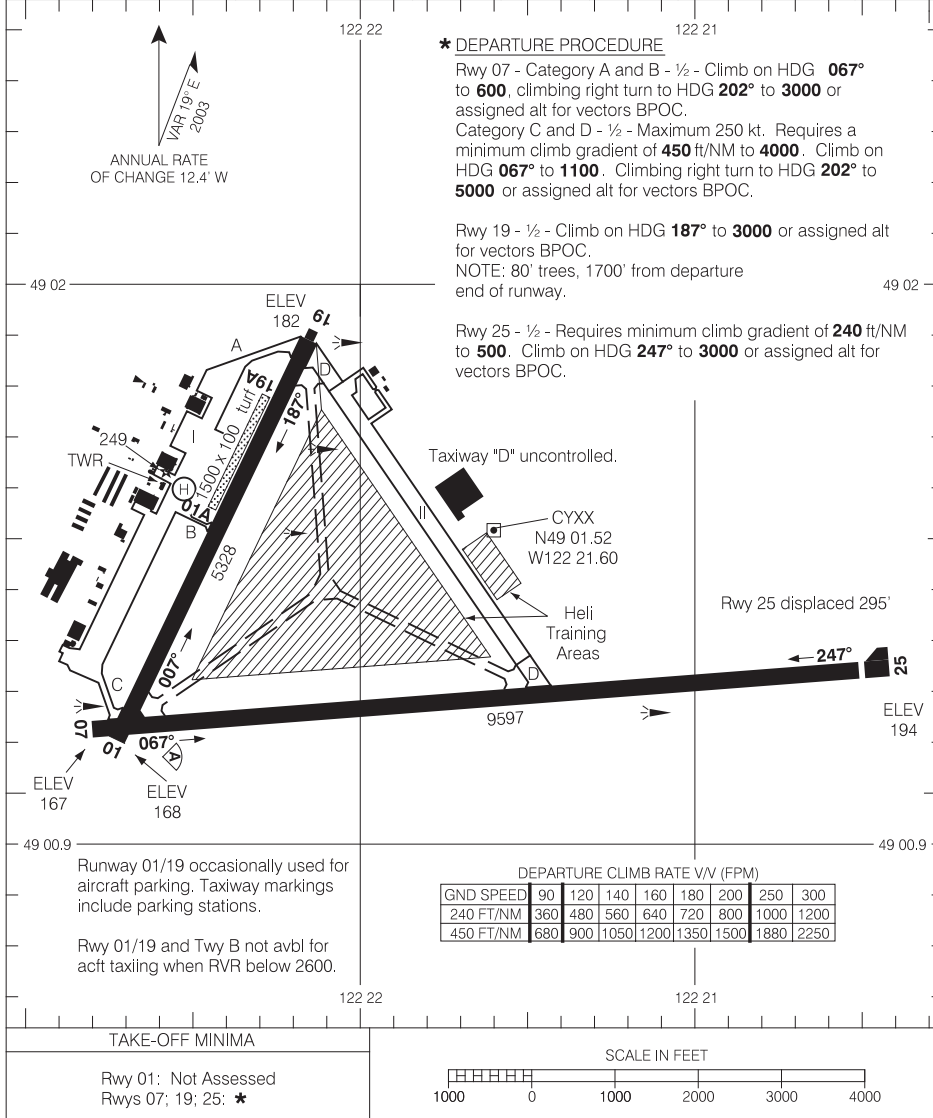
EFF 27 AUG 09 CHANGE: Taxiway

# AERODROME CHART

ABBOTSFORD  
ABBOTSFORD BC

● ATIS 119.8	● GND 121.8	● TWR 119.4 295.0 O/T RADIO(RCO) CRANBROOK 119.4 295.0 (MF CZ)	DEP VICTORIA TERMINAL 132.7 290.8
-----------------	----------------	--	---

DECLARED DISTANCES	01	19	01A	19A	07	25
TORA	5328	5328	1500	1500	9597	9597
TODA	6178	5854	1500	1500	10101	10581
ASDA	5328	5328	1500	1500	9597	9597
LDA	5328	5328	1500	1500	9597	9302



Source of Canadian Civil Aeronautical Data : © 2010 NAV CANADA All rights reserved

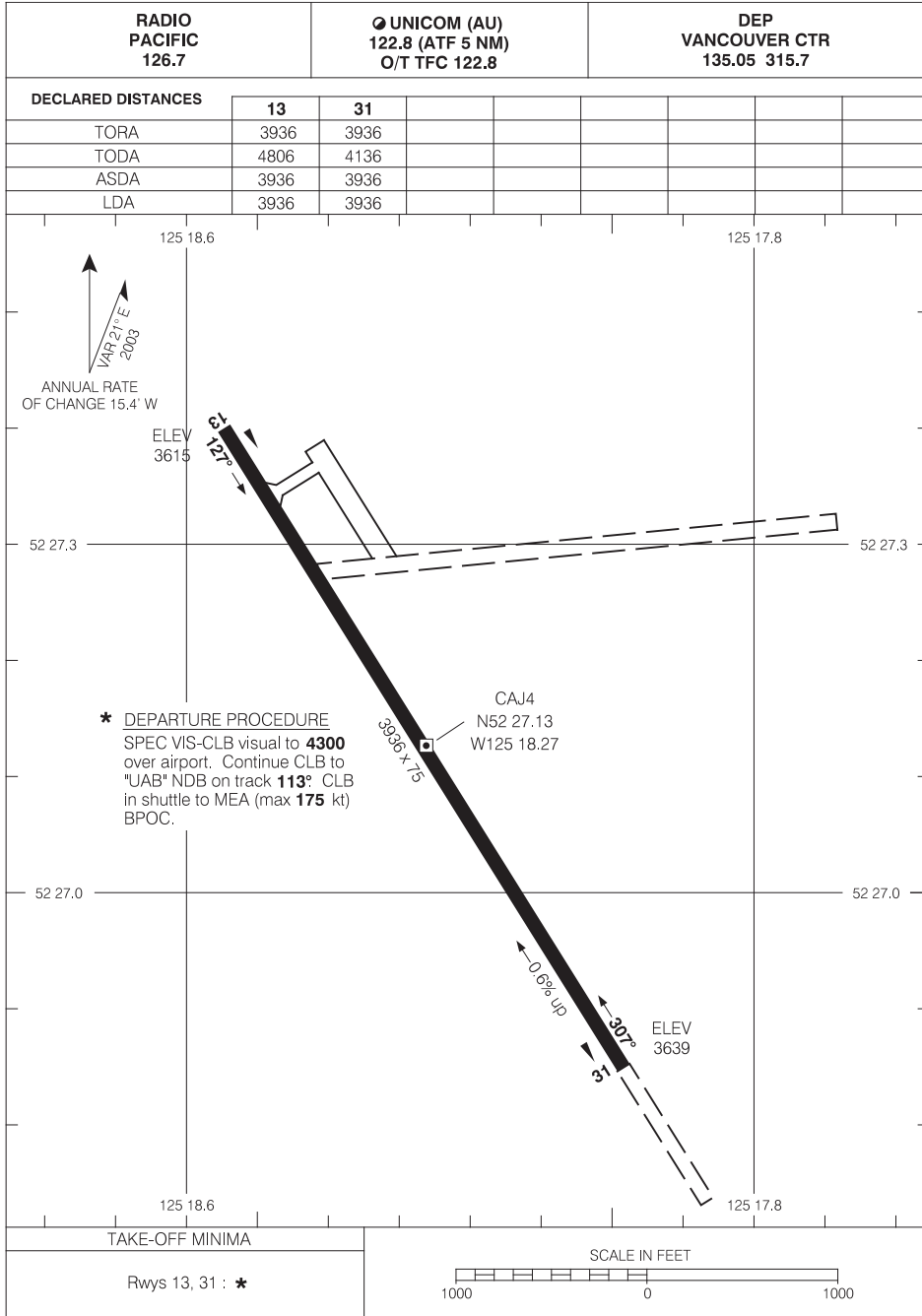
# AERODROME CHART

ABBOTSFORD BC  
ABBOTSFORD  
NAD83

EFF 27 AUG 09 CHANGE: Revised

# AERODROME CHART

ANAHIM LAKE  
ANAHIM LAKE BC



**\* DEPARTURE PROCEDURE**  
SPEC VIS-CLB visual to **4300** over airport. Continue CLB to "UAB" NDB on track **113°**. CLB in shuttle to MEA (max **175** kt) BPOC.

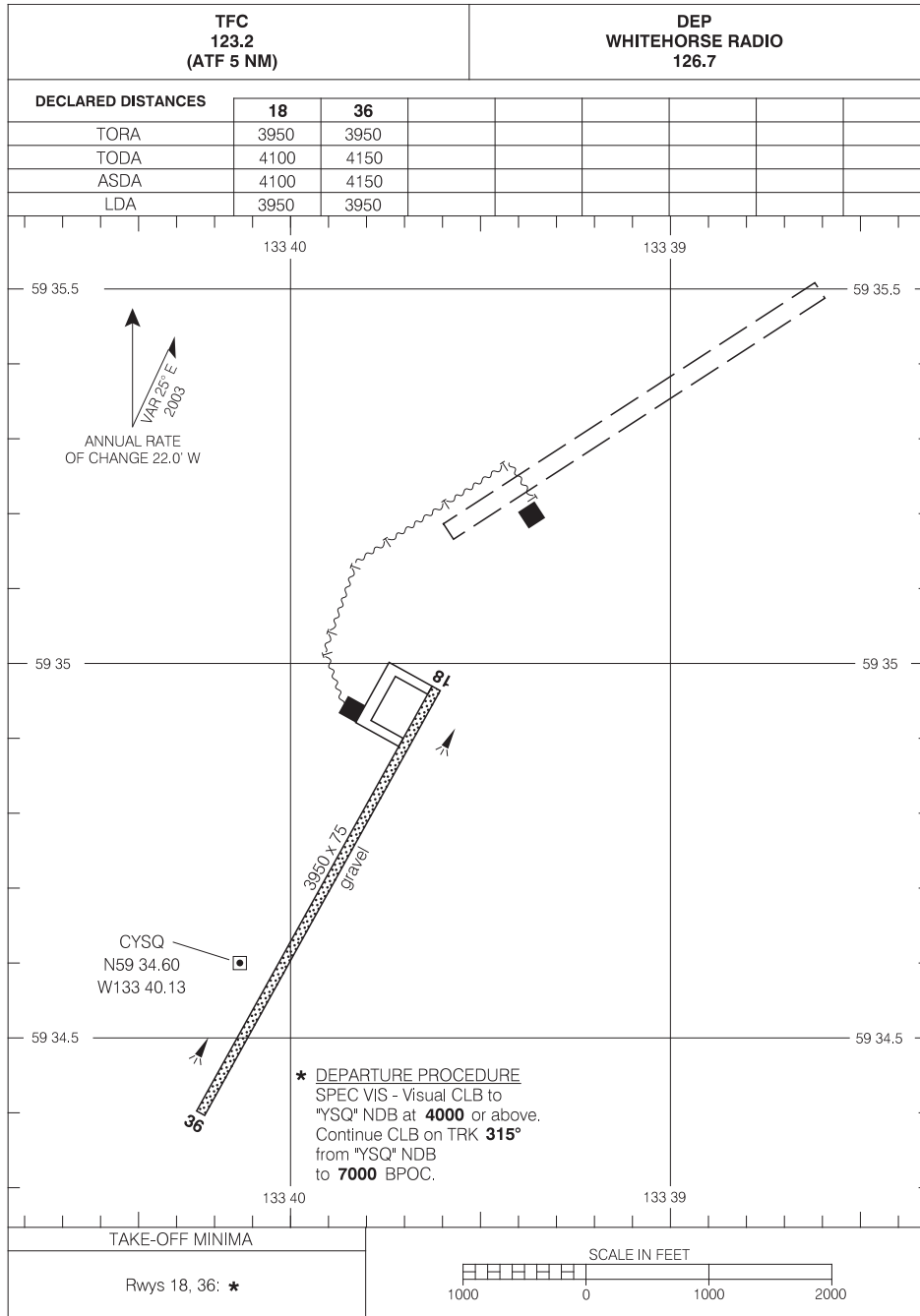
# AERODROME CHART

ANAHIM LAKE BC  
ANAHIM LAKE  
NAD83

EFF 7 MAY 09 CHANGE: Revised

# AERODROME CHART

ATLIN  
ATLIN BC



Source of Canadian Civil Aeronautical Data : © 2010 NAV CANADA All rights reserved

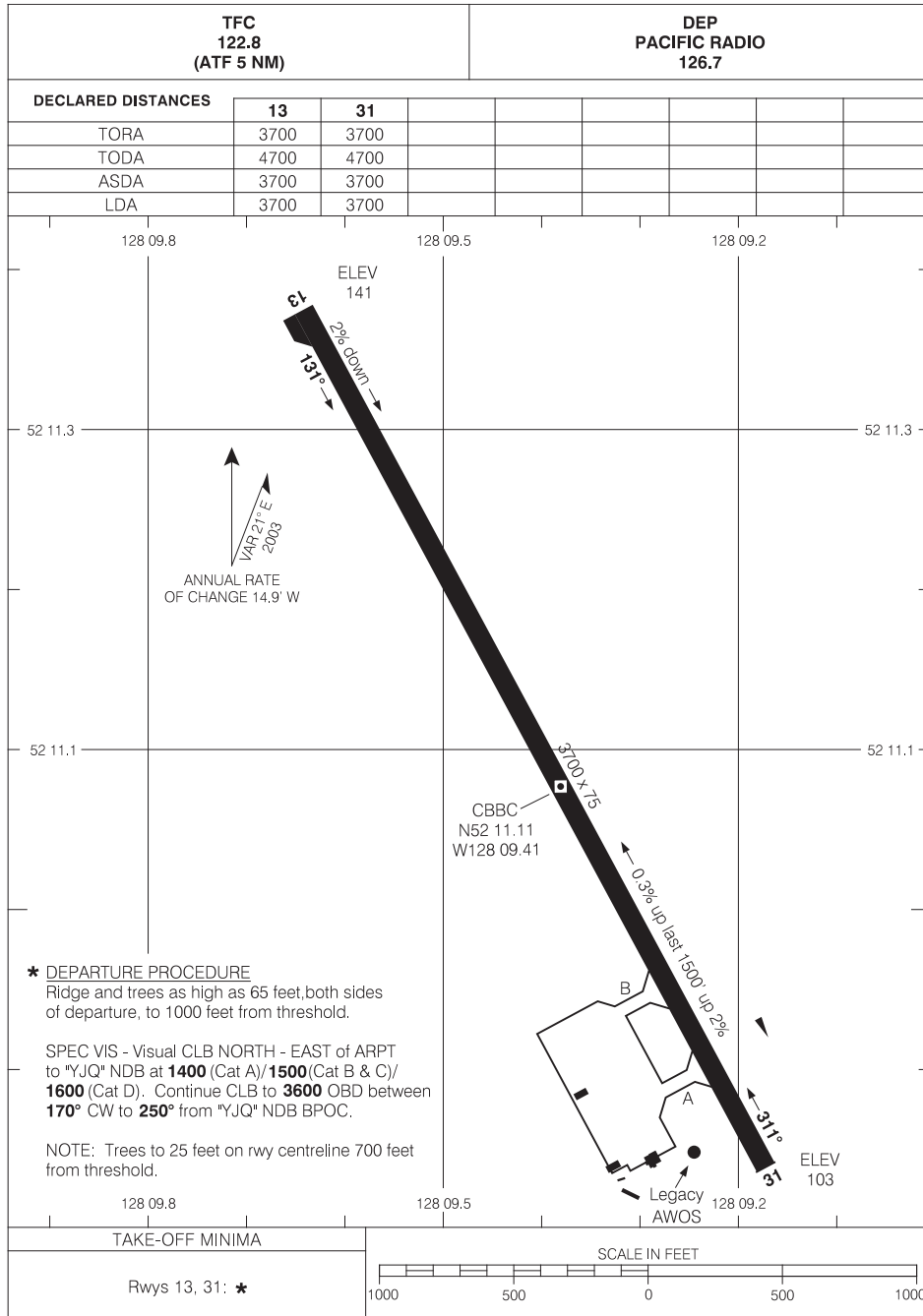
# AERODROME CHART

ATLIN BC  
ATLIN

EFF 13 APR 06 CHANGE: Editorial

# AERODROME CHART

BELLA BELLA (CAMPBELL ISLAND)  
BELLA BELLA BC



Source of Canadian Civil Aeronautical Data : © 2010 NAV CANADA All rights reserved

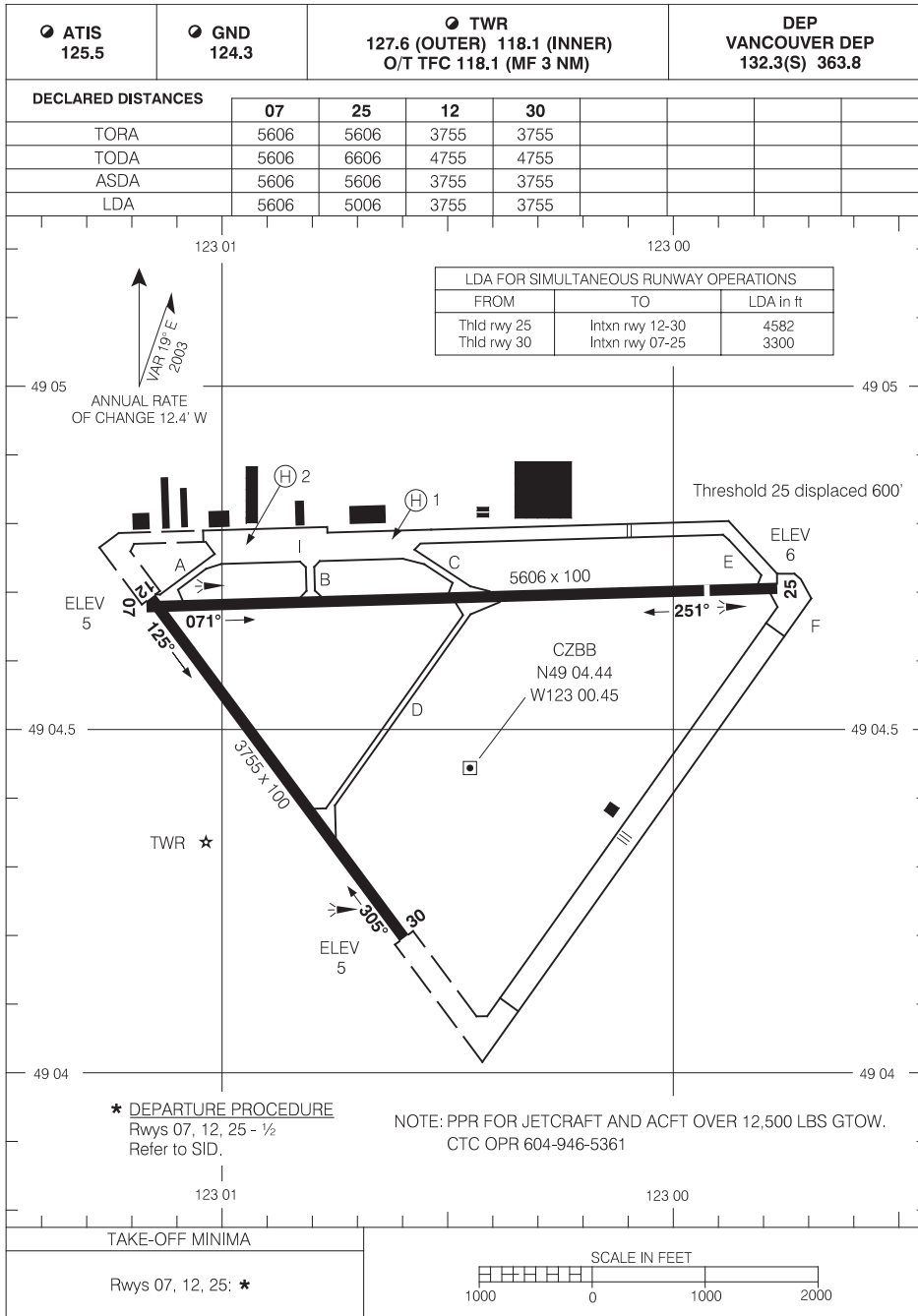
# AERODROME CHART

BELLA BELLA BC  
BELLA BELLA (CAMPBELL ISLAND)  
NAD83

EFF 22 OCT 09 CHANGE: AGCC

# AERODROME CHART

BOUNDARY BAY  
BOUNDARY BAY BC



Source of Canadian Civil Aeronautical Data : © 2010 NAV CANADA All rights reserved

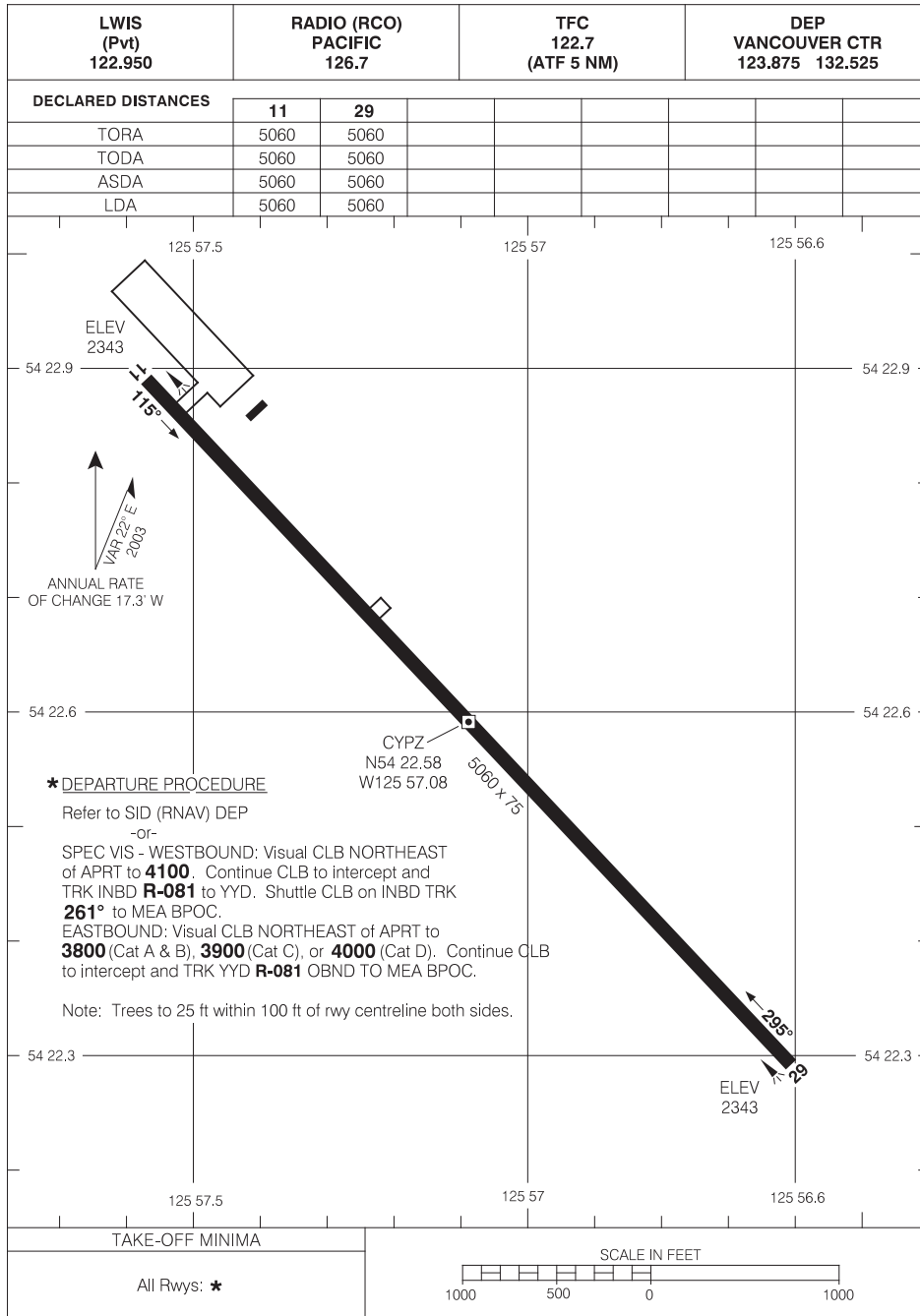
# AERODROME CHART

BOUNDARY BAY BC  
BOUNDARY BAY  
NAD83

EFF 27 AUG 09 CHANGE: Windsock position

# AERODROME CHART

BURNS LAKE  
BURNS LAKE BC



# AERODROME CHART

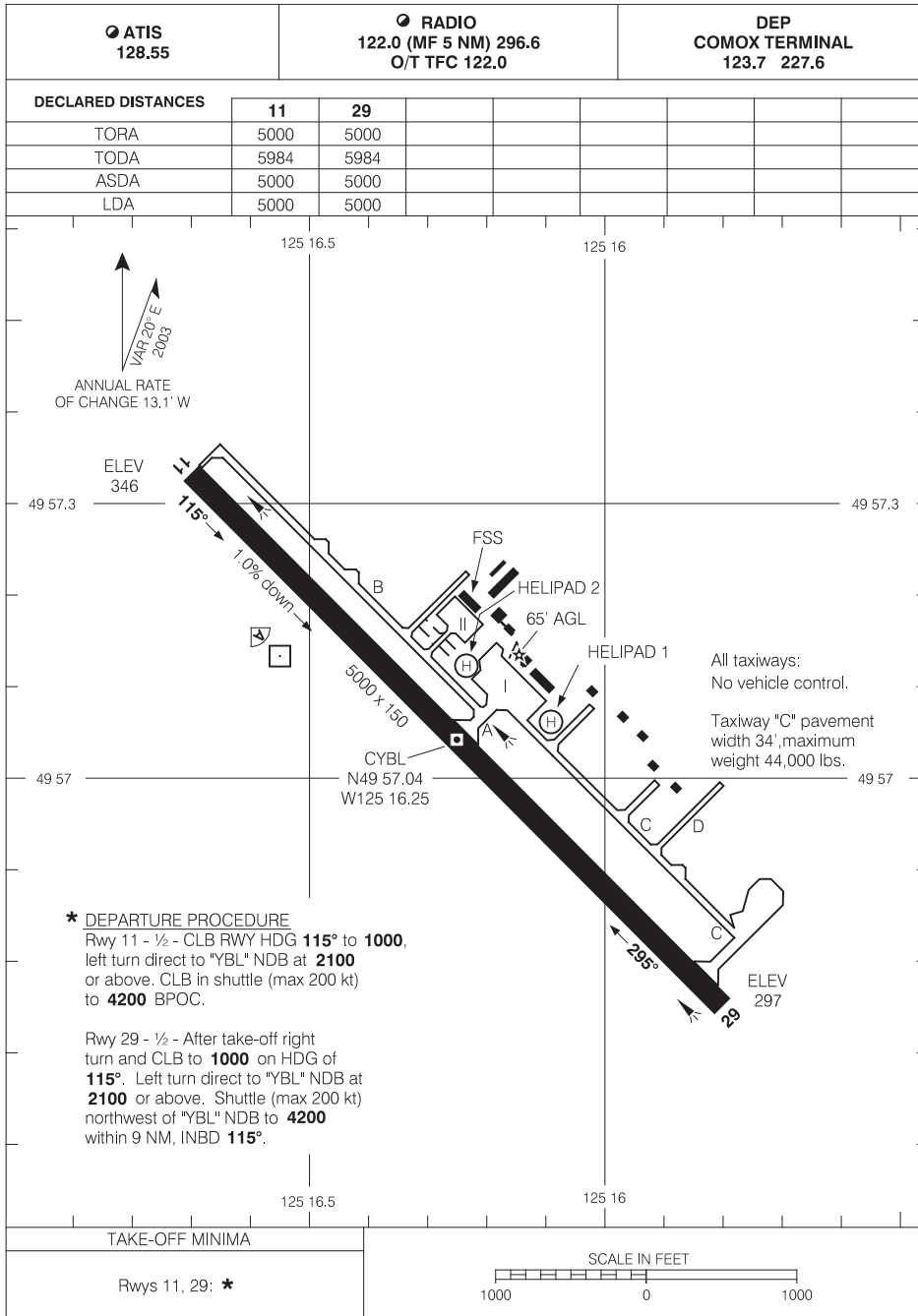
BURNS LAKE BC  
BURNS LAKE  
NAD83

EFF 22 OCT 09 CHANGE: Declared distances, rwy length



# AERODROME CHART

CAMPBELL RIVER  
CAMPBELL RIVER BC



Source of Canadian Civil Aeronautical Data : © 2010 NAV CANADA All rights reserved

# AERODROME CHART

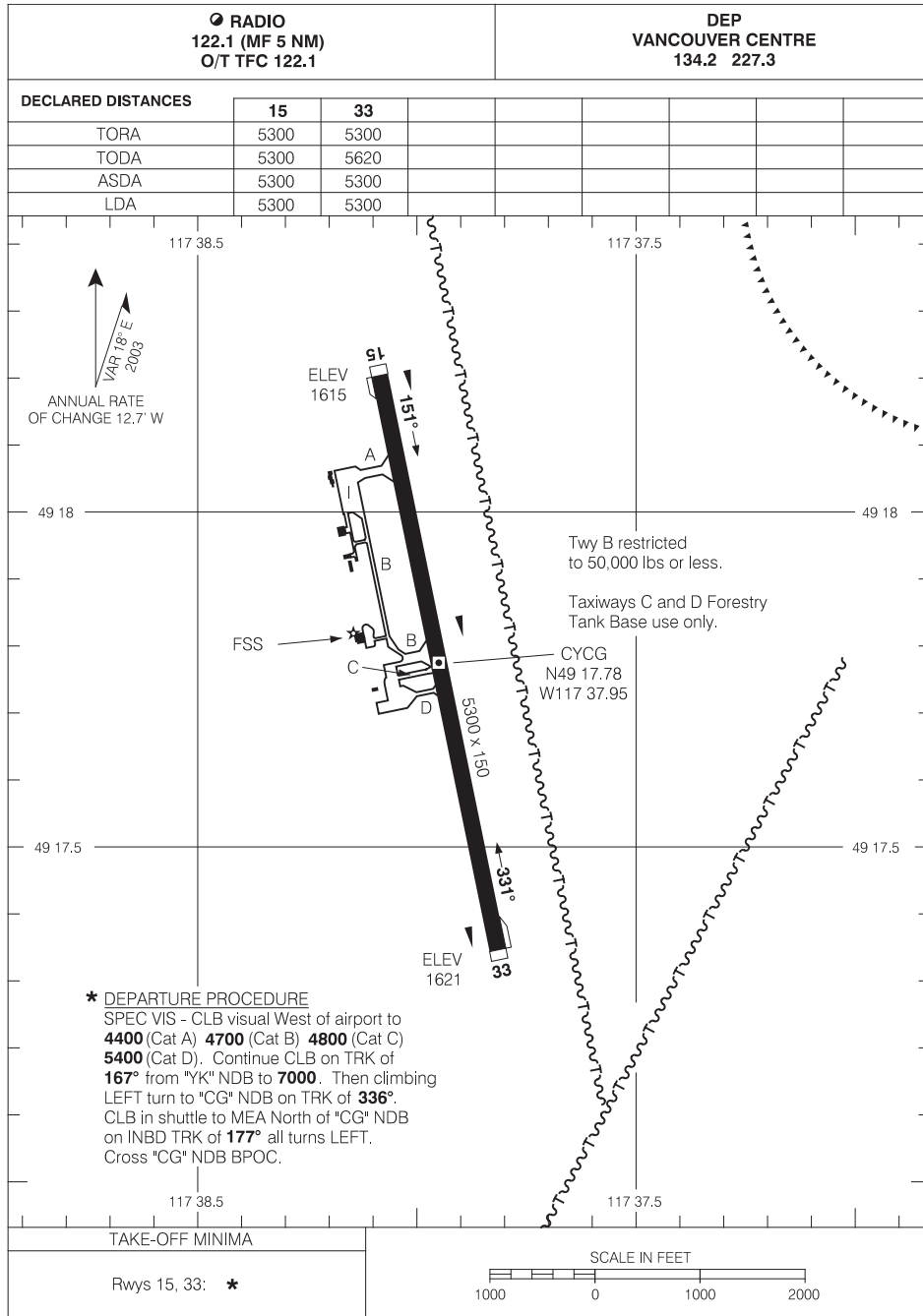
CAMPBELL RIVER BC  
CAMPBELL RIVER

EFF 27 AUG 09      CHANGE: AGCC, declared distances, beacon position

NAD83

# AERODROME CHART

CASTLEGAR/WESTKOOTENAY REGIONAL  
CASTLEGAR BC



Source of Canadian Civil Aeronautical Data : © 2010 NAV CANADA All rights reserved

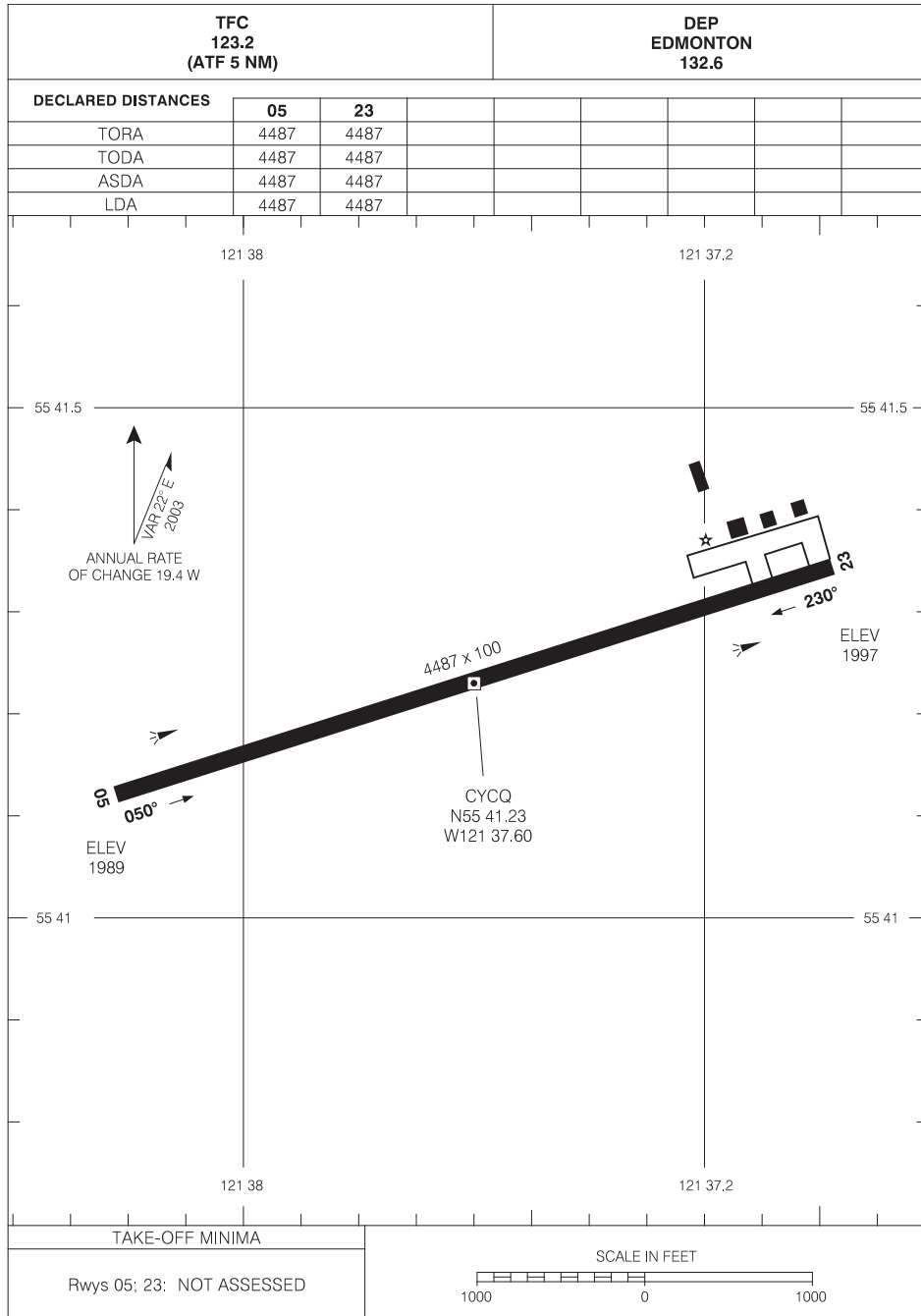
# AERODROME CHART

CASTLEGAR BC  
CASTLEGAR/WESTKOOTENAY REGIONAL  
NAD83

EFF 11 FEB 10 CHANGE: Aerodrome name

# AERODROME CHART

CHETWYND  
CHETWYND BC



# AERODROME CHART

CHETWYND BC  
CHETWYND  
NAD83

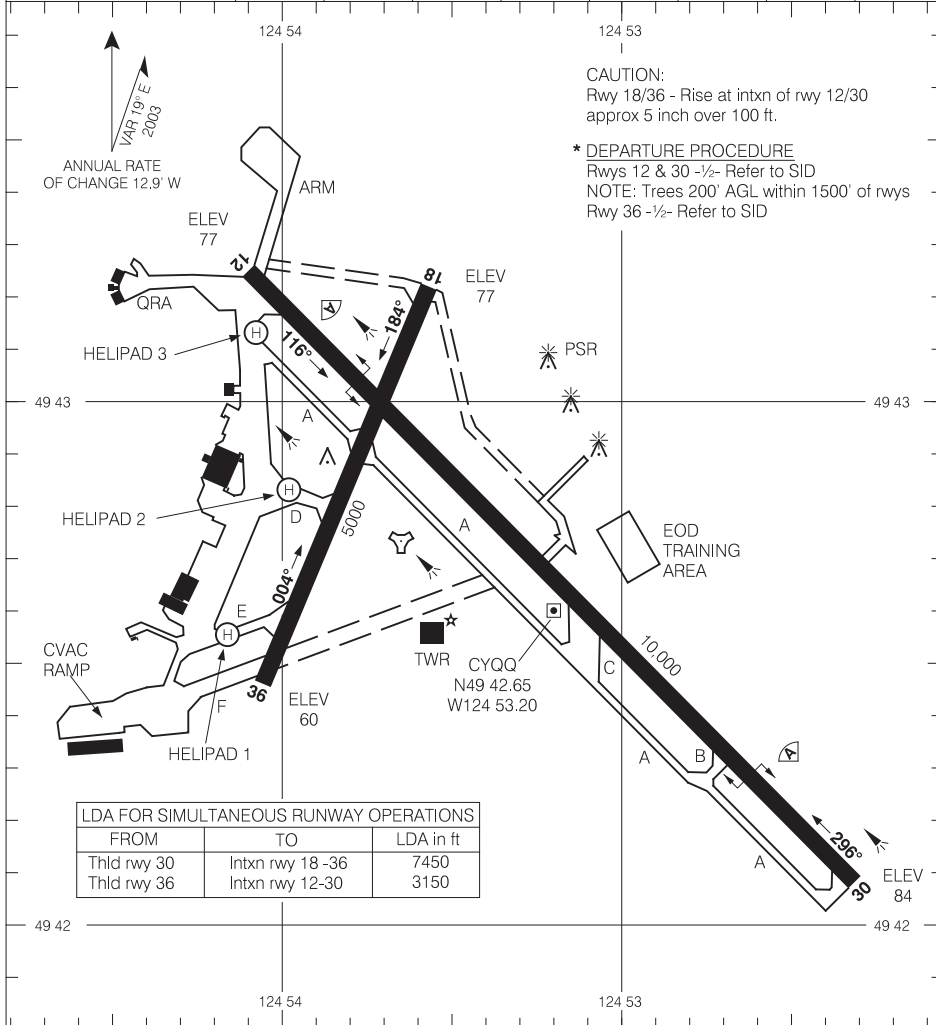
EFF 22 OCT 09 CHANGE: Revised

# AERODROME CHART (DND)

COMOX  
COMOX BC

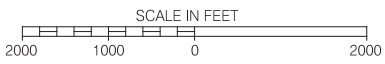
<b>ATIS</b> 118.6 282.2	<b>CLNC DEL</b> 123.7 227.6	<b>GND</b> 119.75 250.3	<b>TWR</b> 126.2 358.1	<b>DEP</b> 123.7 227.6
-------------------------------	-----------------------------------	-------------------------------	------------------------------	------------------------------

DECLARED DISTANCES	12	30	18	36
TORA	10,000	10,000	5000	5000
TODA	11,000	11,000	5000	5000
ASDA	10,000	10,000	5000	5000
LDA	10,000	10,000	5000	5000



LDA FOR SIMULTANEOUS RUNWAY OPERATIONS		
FROM	TO	LDA in ft
Thld rwy 30	Intxn rwy 18-36	7450
Thld rwy 36	Intxn rwy 12-30	3150

TAKE-OFF MINIMA
Rwys: 12, 30, 36: *
Rwy: 18 NOT ASSESSED



Source of Canadian Civil Aeronautical Data : © 2010 NAV CANADA All rights reserved

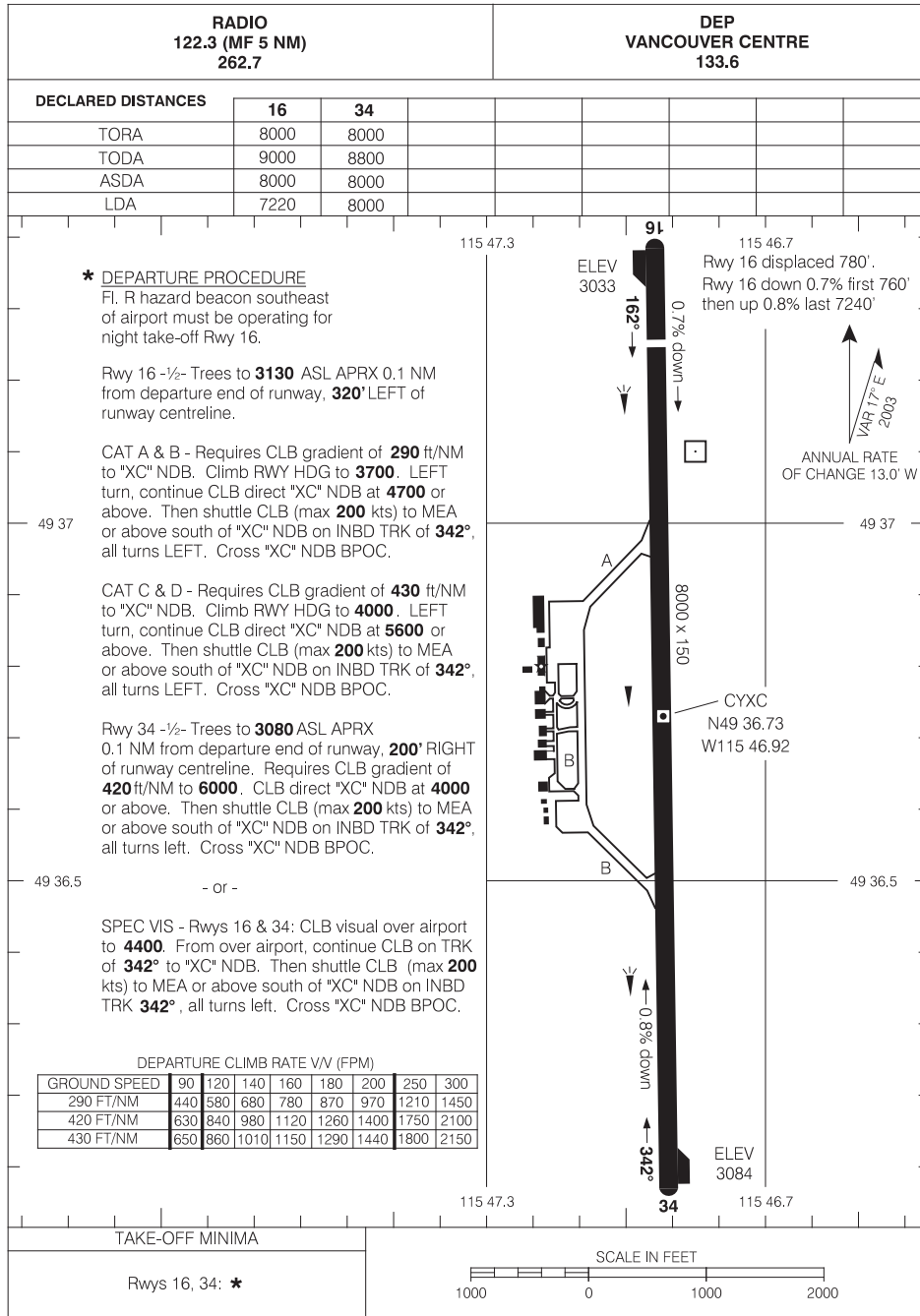
# AERODROME CHART (DND)

COMOX BC  
COMOX  
NAD83

EFF 27 AUG 09 CHANGE: Declared distances

# AERODROME CHART

CRANBROOK/CANADIAN ROCKIES INTL  
CRANBROOK BC



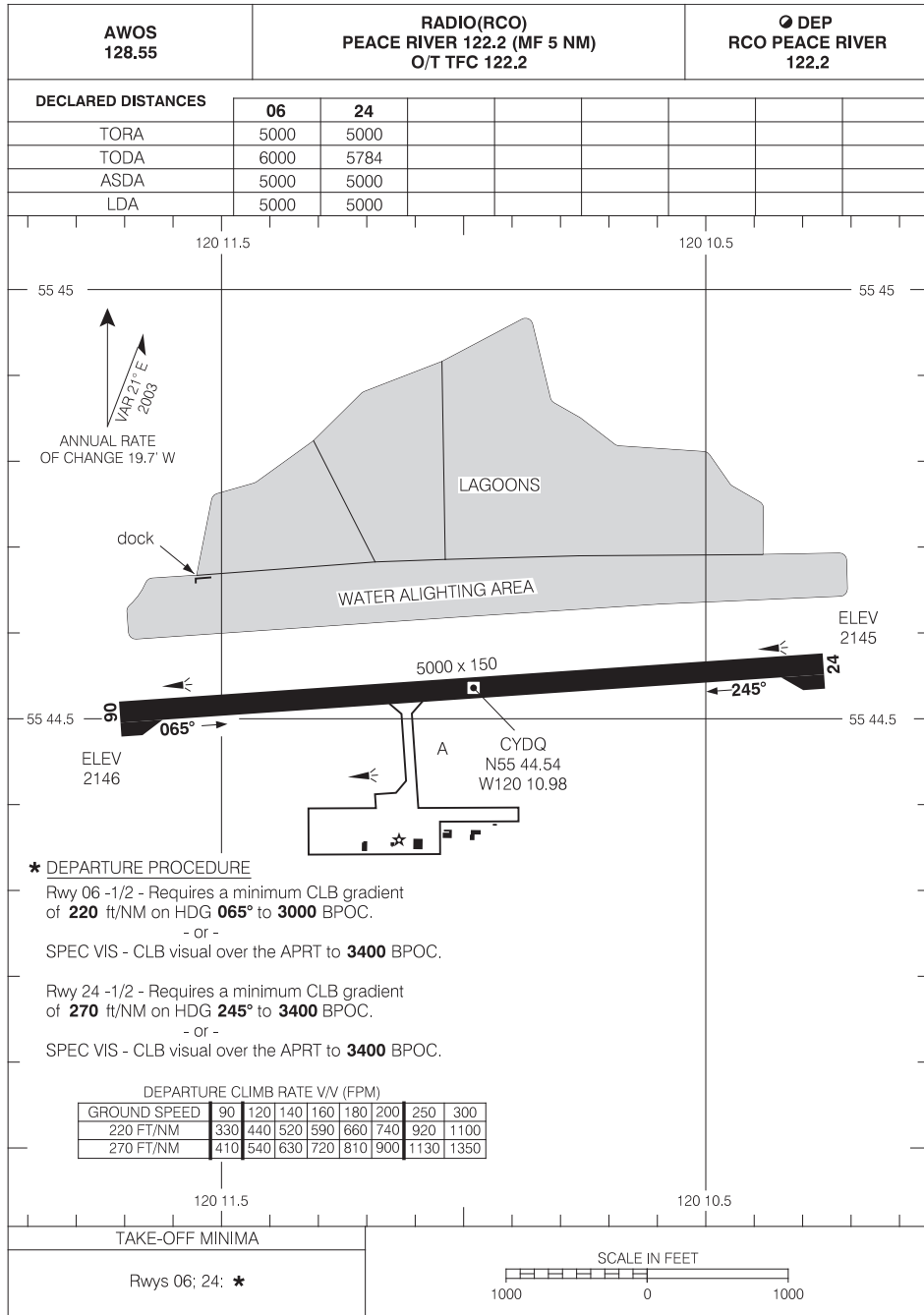
# AERODROME CHART

CRANBROOK BC  
CRANBROOK/CANADIAN ROCKIES INTL  
NAD83

EFF 17 DEC 09 CHANGE: Beacon

# AERODROME CHART

DAWSON CREEK  
DAWSON CREEK BC



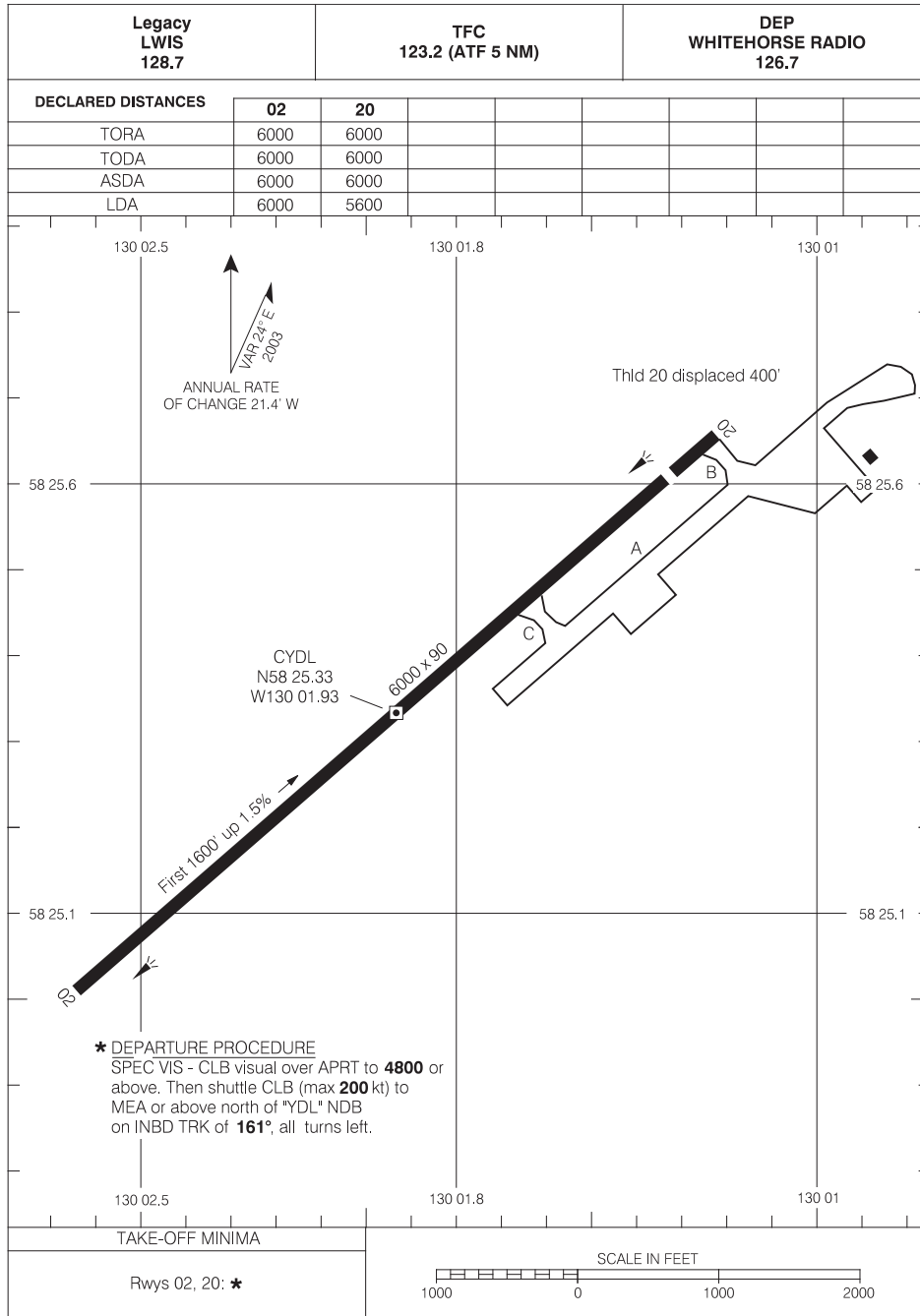
# AERODROME CHART

DAWSON CREEK BC  
DAWSON CREEK  
NAD83

EFF 22 OCT 09 CHANGE: COMM

# AERODROME CHART

DEASE LAKE  
DEASE LAKE BC



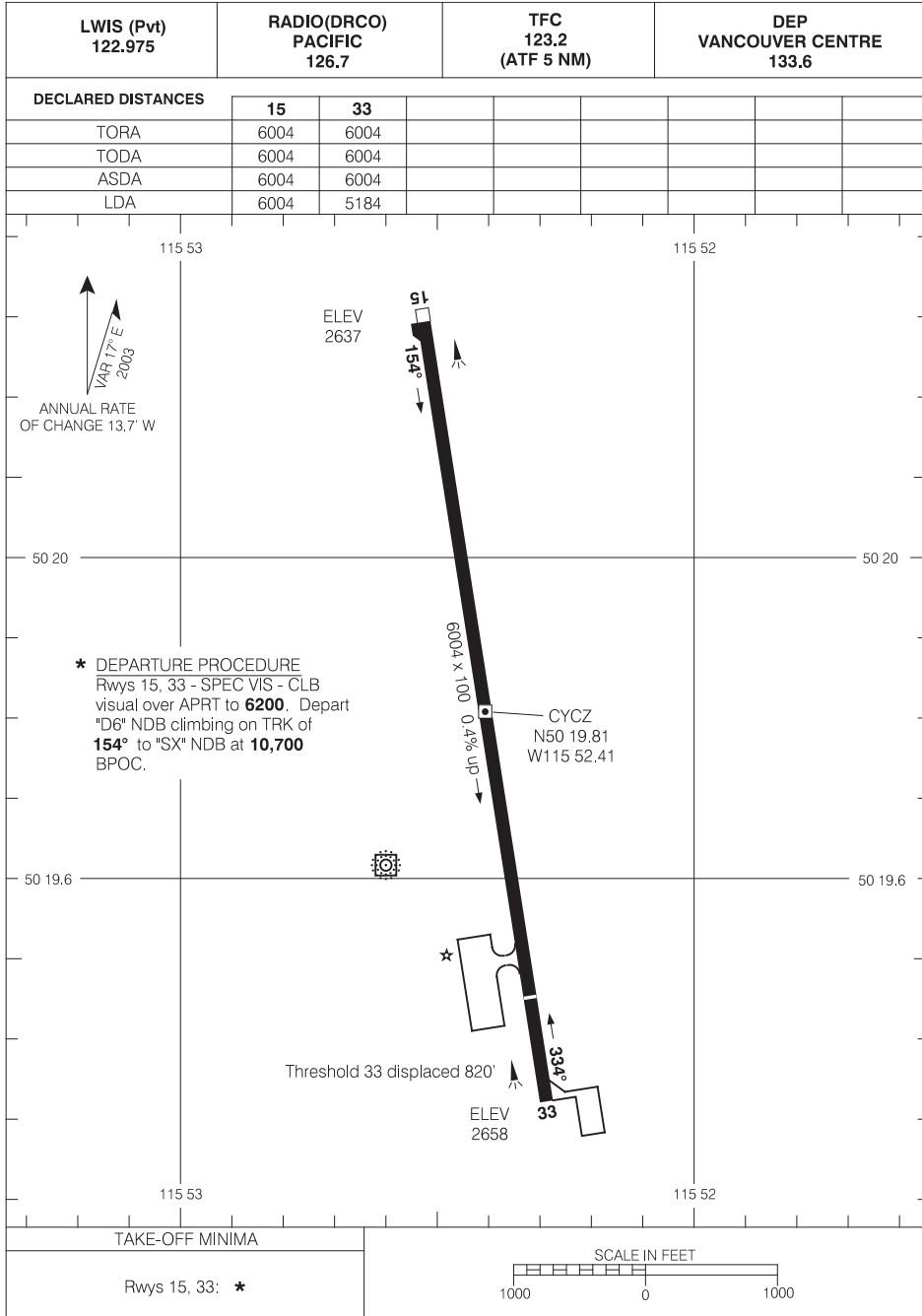
# AERODROME CHART

DEASE LAKE BC  
DEASE LAKE  
NAD83

EFF 20 NOV 08 CHANGE: LWIS

# AERODROME CHART

FAIRMONT HOT SPRINGS  
FAIRMONT HOT SPRINGS BC



Source of Canadian Civil Aeronautical Data : © 2010 NAV CANADA All rights reserved

# AERODROME CHART

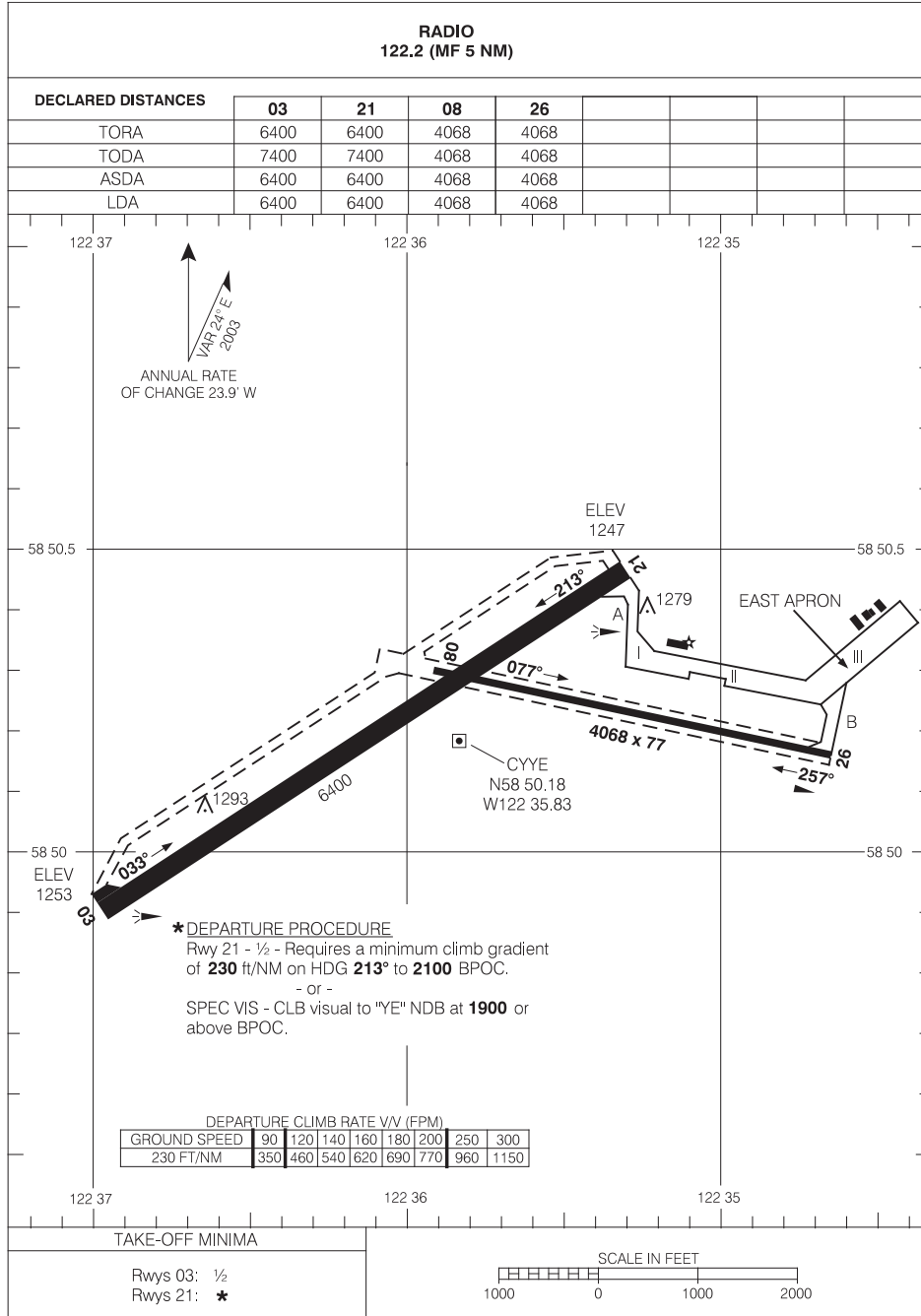
FAIRMONT HOT SPRINGS BC  
FAIRMONT HOT SPRINGS  
NAD83

EFF 2 JUL 09 CHANGE: Revised



# AERODROME CHART

FORT NELSON  
FORT NELSON BC



Source of Canadian Civil Aeronautical Data : © 2010 NAV CANADA All rights reserved

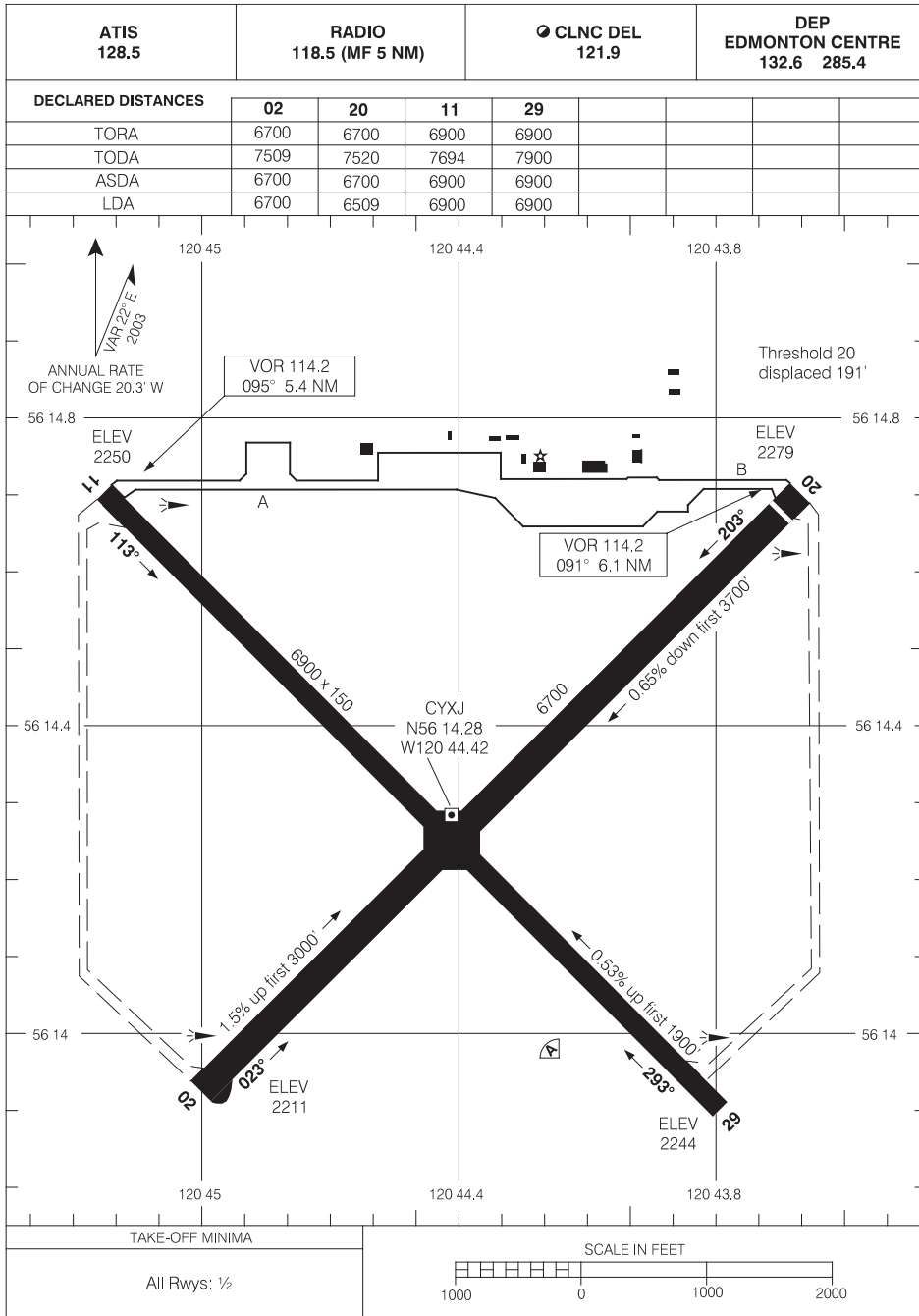
# AERODROME CHART

FORT NELSON BC  
FORT NELSON  
NAD83

EFF 27 AUG 09 CHANGE: COMM

# AERODROME CHART

FORT ST. JOHN  
FORT ST. JOHN BC



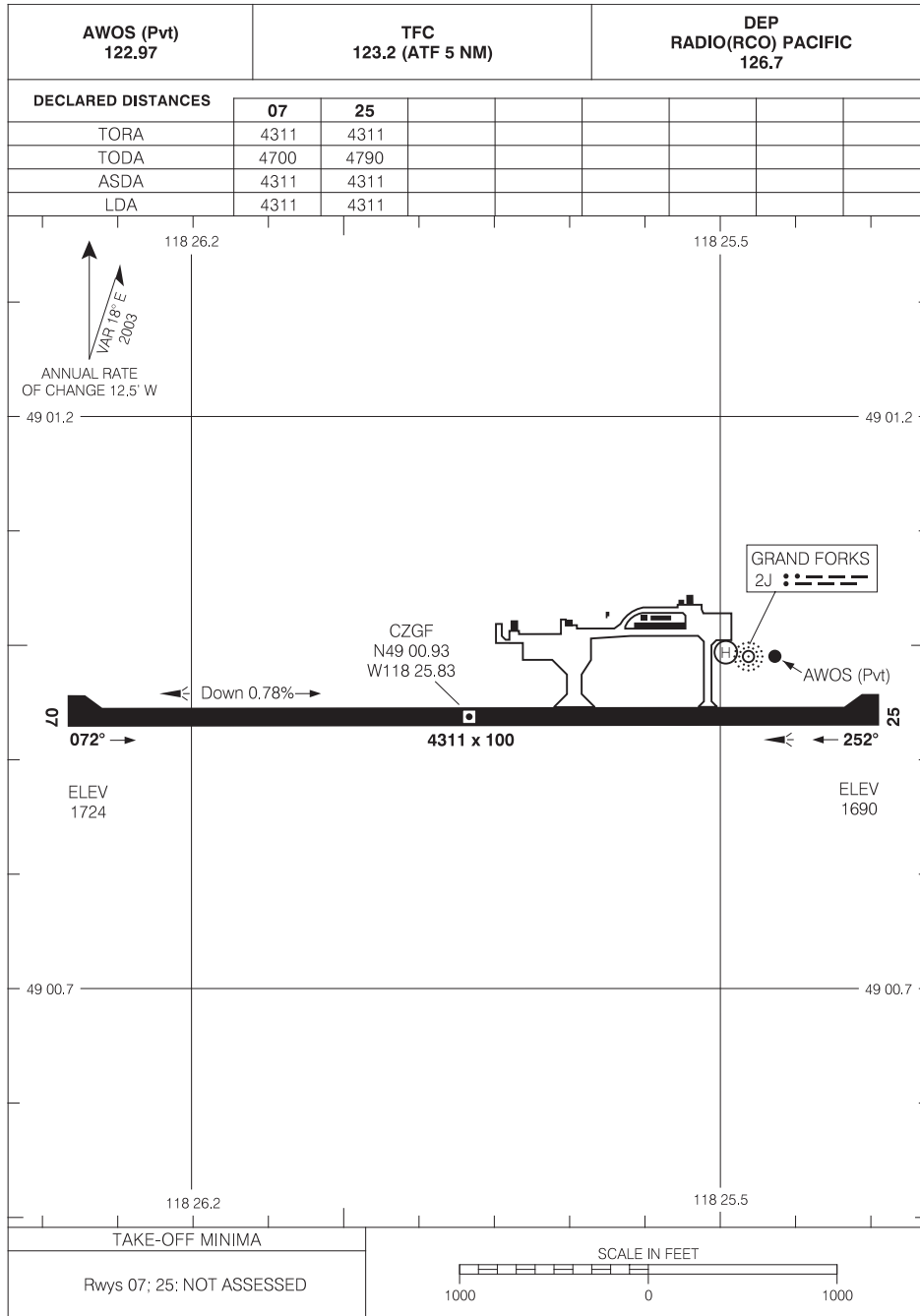
# AERODROME CHART

FORT ST. JOHN BC  
FORT ST. JOHN  
NAD83

EFF 27 AUG 09 CHANGE: COMM

# AERODROME CHART

GRAND FORKS  
GRAND FORKS BC



Source of Canadian Civil Aeronautical Data : © 2010 NAV CANADA All rights reserved

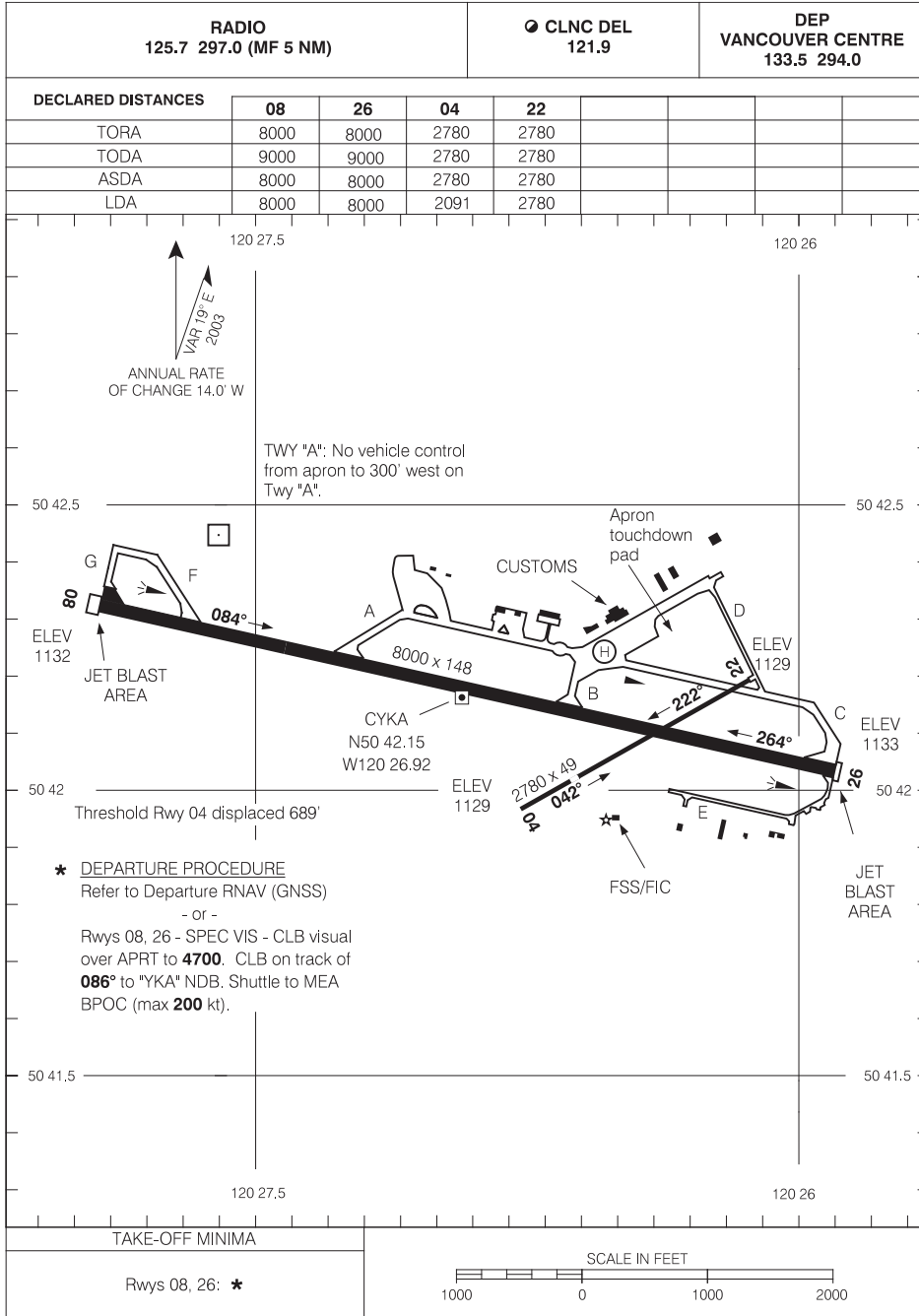
# AERODROME CHART

GRAND FORKS BC  
GRAND FORKS  
NAD83

EFF 11 FEB 10 CHANGE: Revised

# AERODROME CHART

KAMLOOPS  
KAMLOOPS BC



Source of Canadian Civil Aeronautical Data : © 2010 NAV CANADA All rights reserved

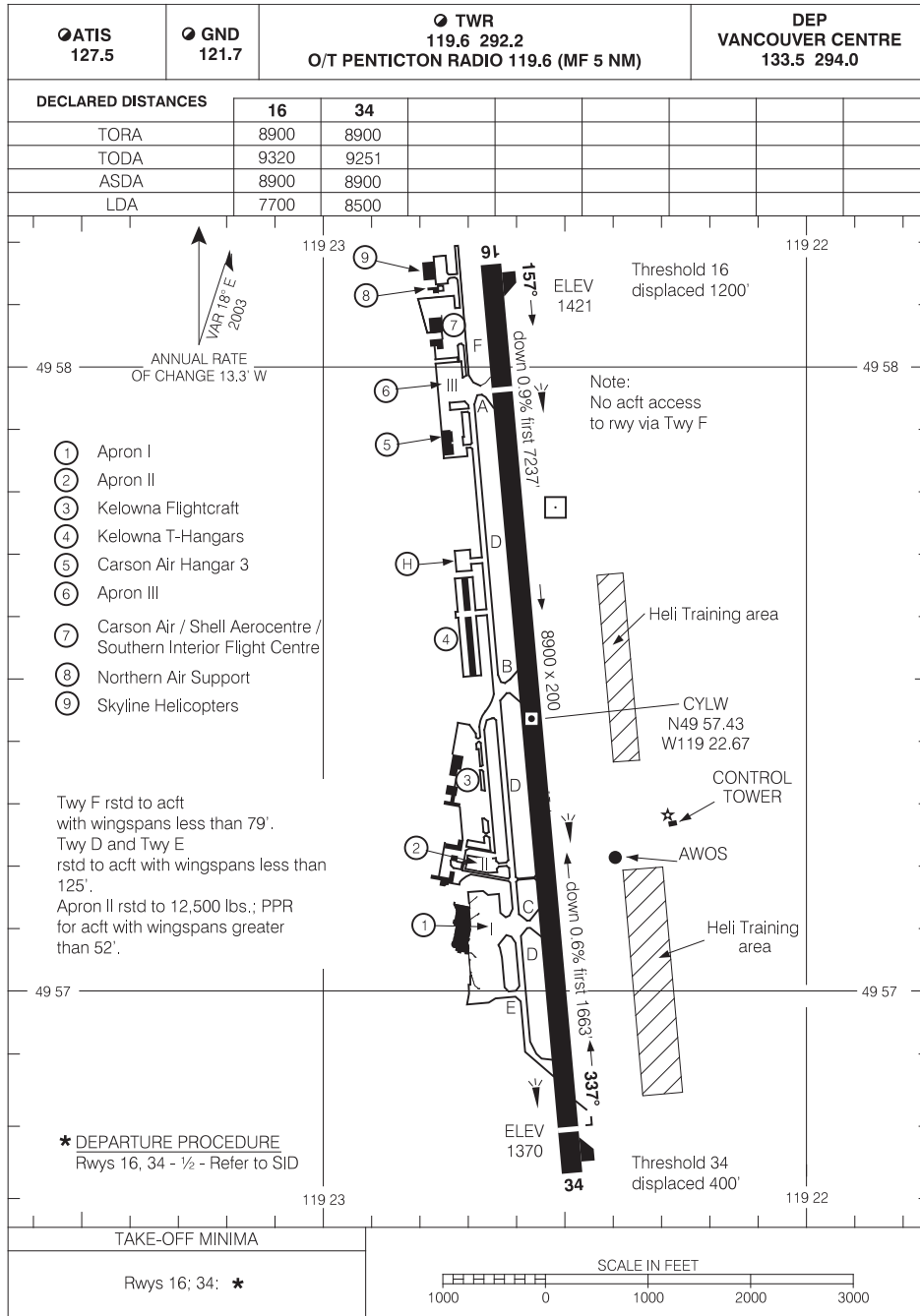
# AERODROME CHART

KAMLOOPS BC  
KAMLOOPS  
NAD83

EFF 11 FEB 10 CHANGE: Abandoned rwy

# AERODROME CHART

KELOWNA  
KELOWNA BC



Source of Canadian Civil Aeronautical Data : © 2010 NAV CANADA All rights reserved

# AERODROME CHART

KELOWNA BC  
KELOWNA  
NAD83

EFF 11 FEB 10 CHANGE: Editorial

# PARKING AREAS

KELOWNA  
KELOWNA BC

KELOWNA GROUND CONTROL  
121.7

### LEGEND

⑤ Parking Position

D Taxiway



Source of Canadian Civil Aeronautical Data : © 2010 NAV CANADA All rights reserved

# PARKING AREAS

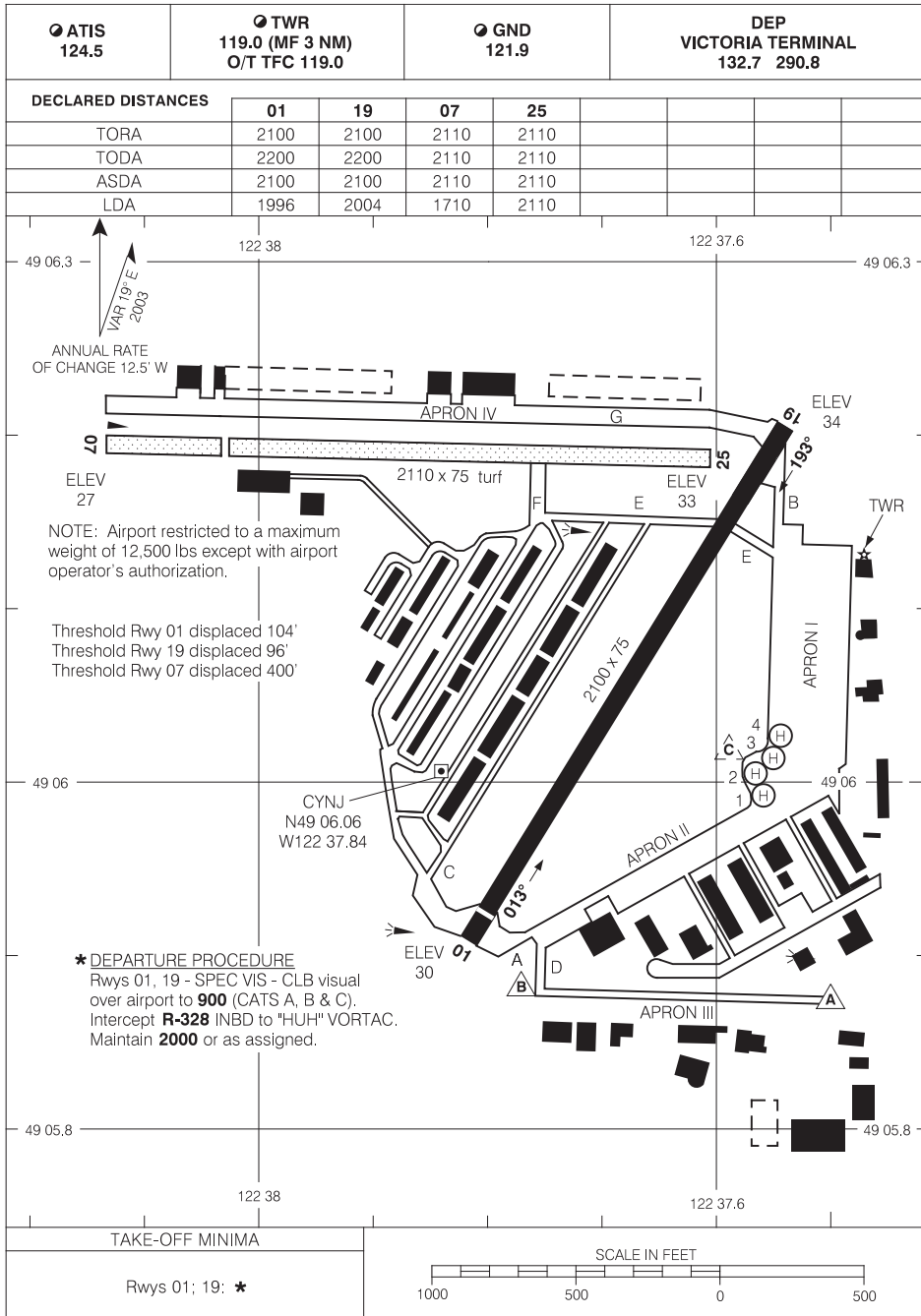
KELOWNA BC  
KELOWNA  
NAD83

EFF 27 AUG 09

CHANGE: Helipads deleted from apron 1

# AERODROME CHART

LANGLEY REGIONAL  
LANGLEY BC



Source of Canadian Civil Aeronautical Data : © 2010 NAV CANADA All rights reserved

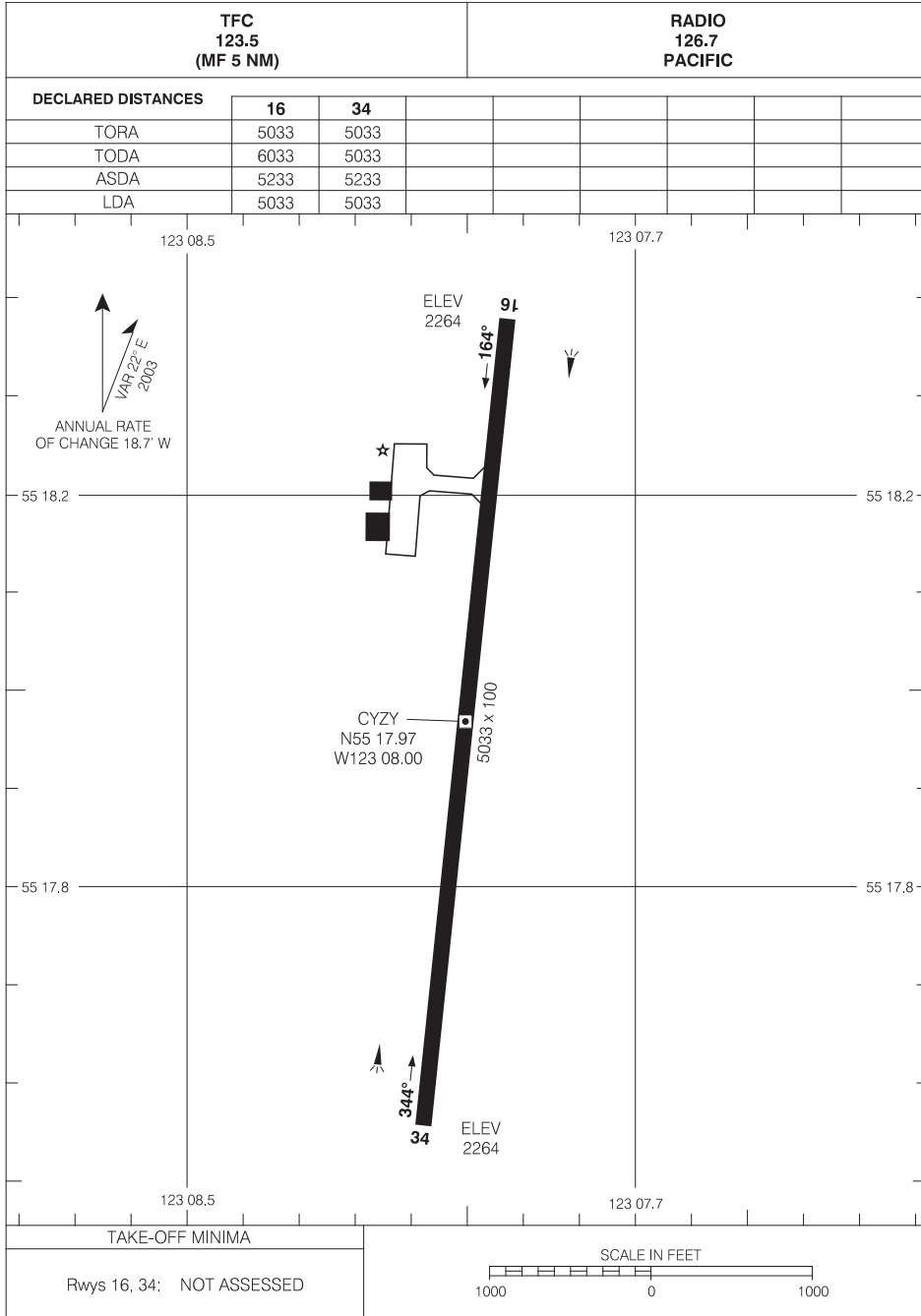
# AERODROME CHART

LANGLEY BC  
LANGLEY REGIONAL  
NAD83

EFF 22 OCT 09 CHANGE: Editorial

# AERODROME CHART

MACKENZIE  
MACKENZIE BC



Source of Canadian Civil Aeronautical Data : © 2010 NAV CANADA All rights reserved

# AERODROME CHART

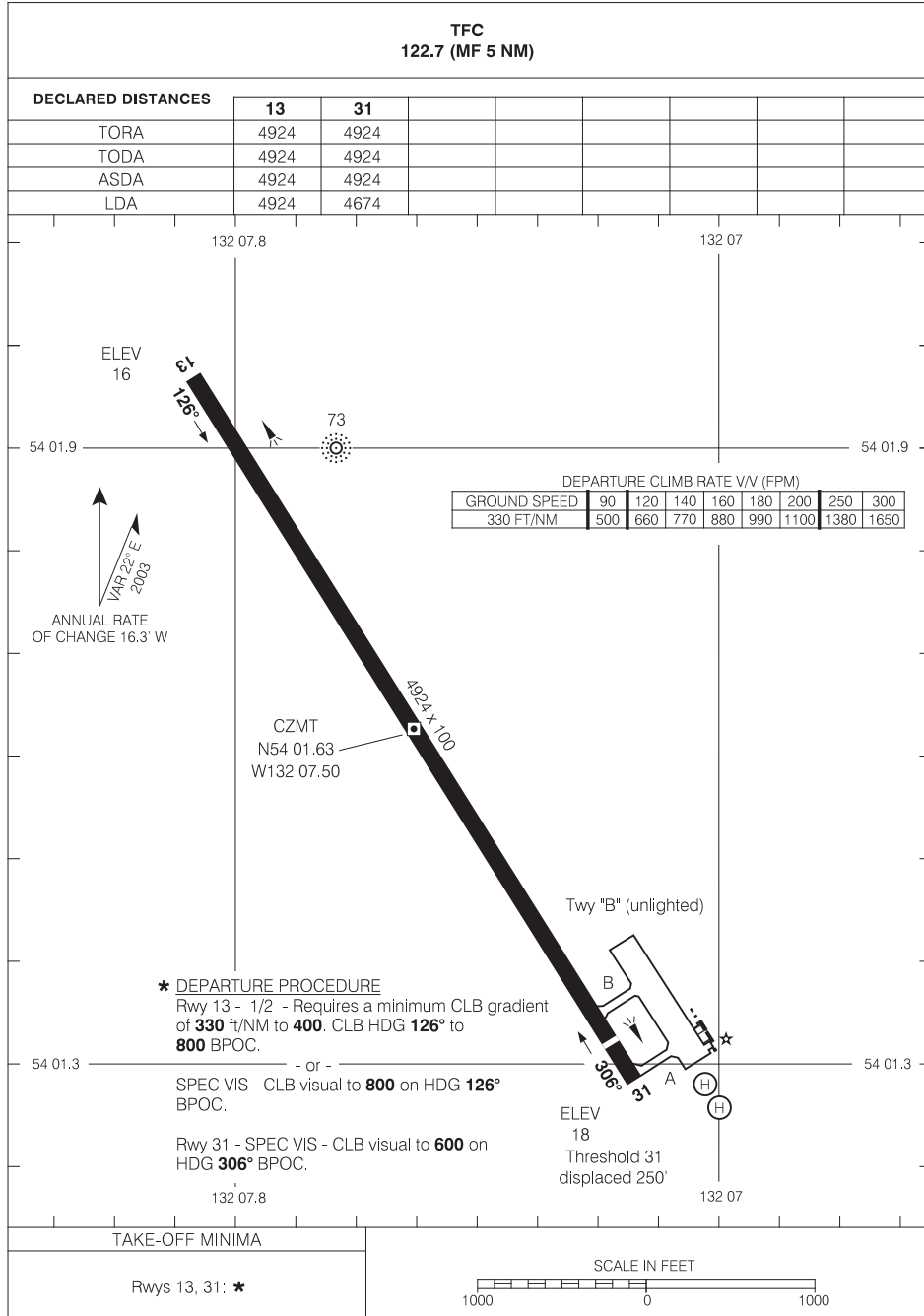
MACKENZIE BC  
MACKENZIE  
NAD83

EFF 30 AUG 07 CHANGE: New A/D chart



# AERODROME CHART

MASSET  
MASSET BC



Source of Canadian Civil Aeronautical Data : © 2010 NAV CANADA All rights reserved

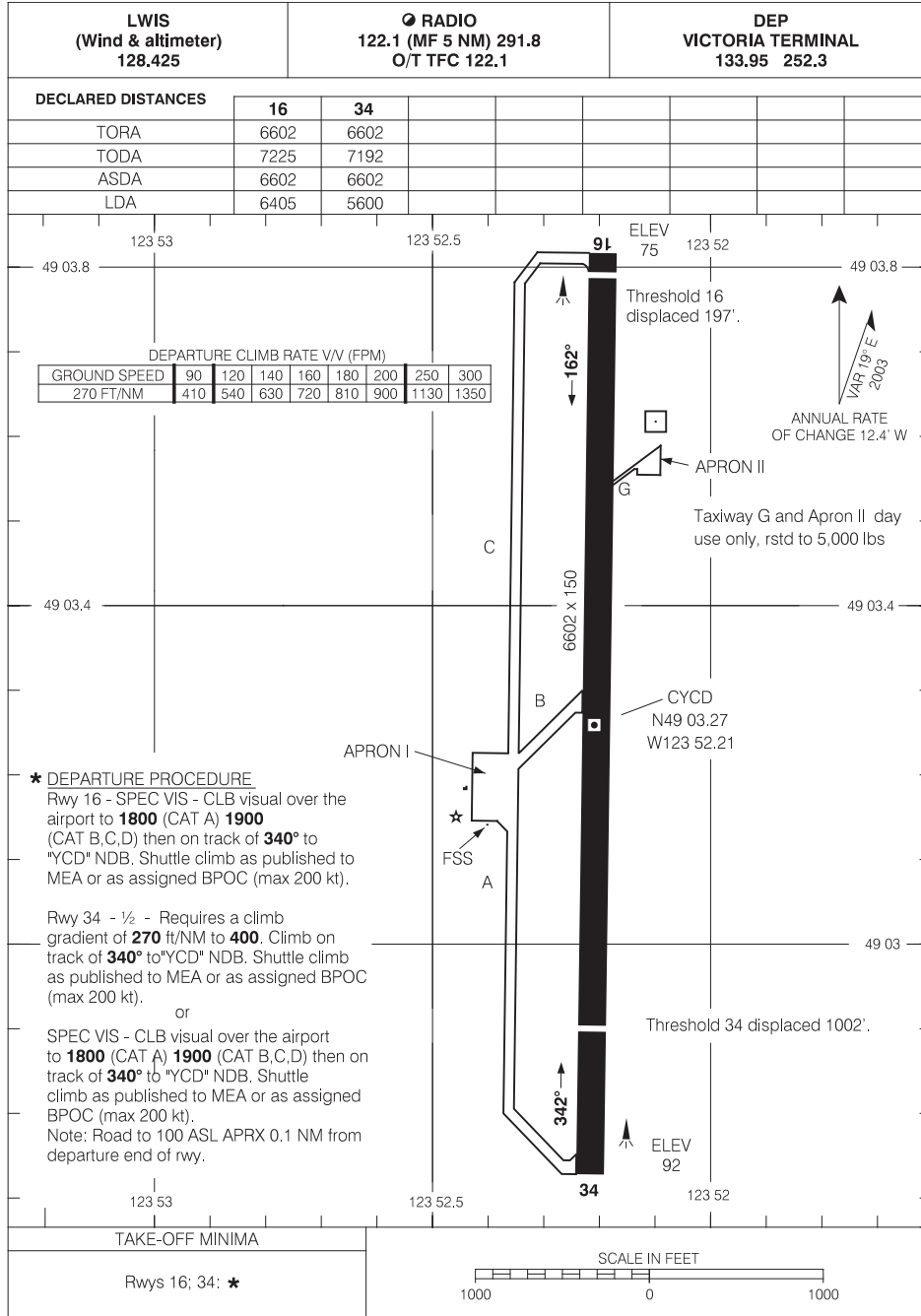
# AERODROME CHART

MASSET BC  
MASSET  
NAD83

EFF 22 OCT 09 CHANGE: Notes

# AERODROME CHART

NANAIMO  
NANAIMO BC



# AERODROME CHART

NANAIMO BC  
NANAIMO  
NAD83

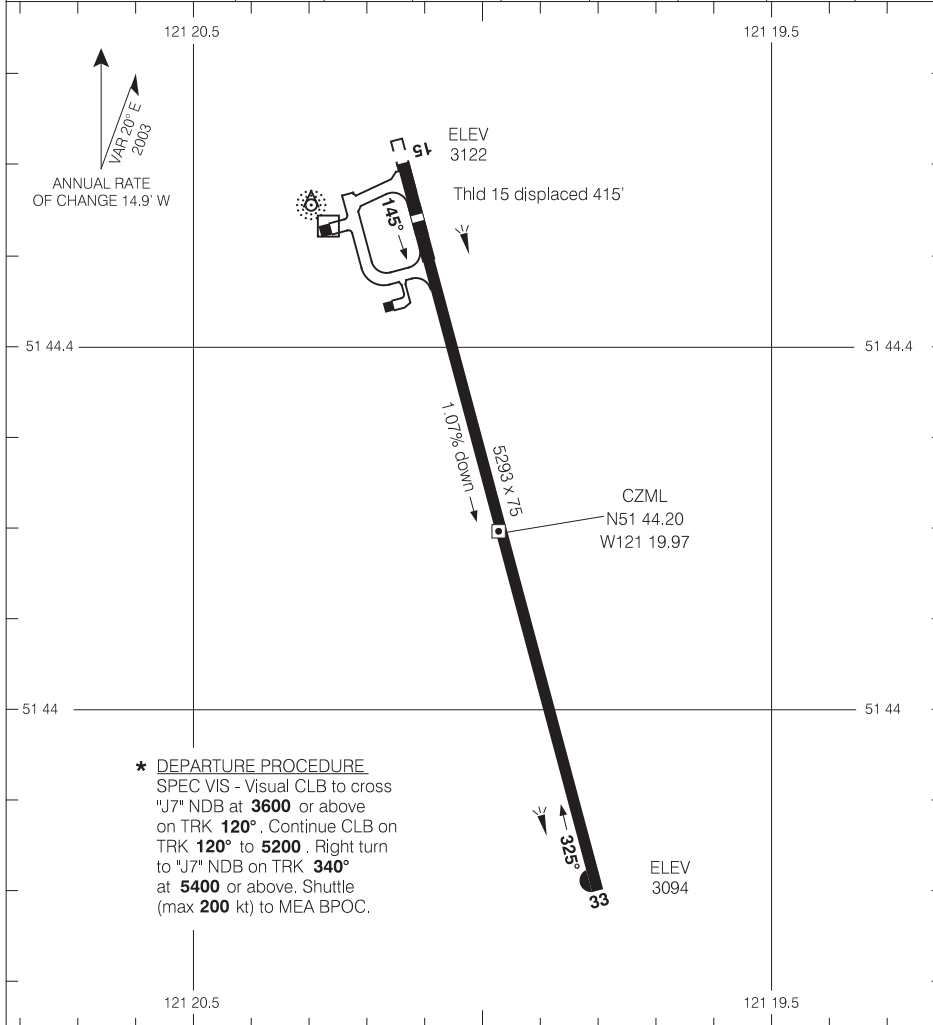
EFF 17 DEC 09 CHANGE: Revised

# AERODROME CHART

108 MILE AIRPORT  
108 MILE RANCH BC

<b>LWIS (Pvt)</b> 122.5	<b>RADIO PACIFIC</b> 126.7	<b>TFC</b> 123.2 (ATF 5 NM)	<b>DEP VANCOUVER CENTRE</b> 134.0 381.4
----------------------------	-------------------------------	-----------------------------------	--

DECLARED DISTANCES		15	33						
TORA		5293	5293						
TODA		5293	5293						
ASDA		5293	5293						
LDA		4878	5293						



Source of Canadian Civil Aeronautical Data : © 2010 NAV CANADA All rights reserved

TAKE-OFF MINIMA	SCALE IN FEET
Rwys 15; 33: *	1000 0 1000

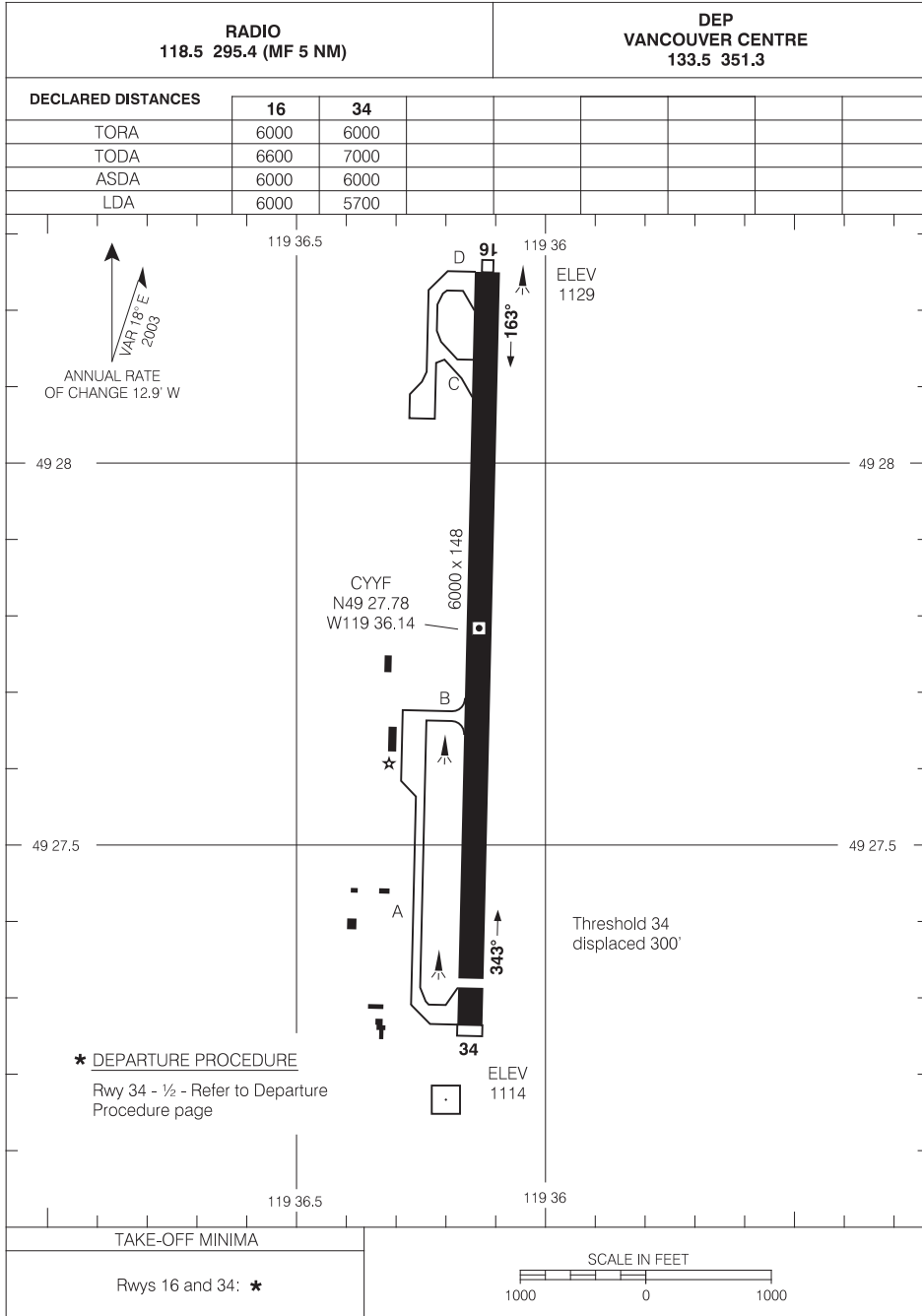
# AERODROME CHART

108 MILE RANCH BC  
108 MILE AIRPORT  
NAD83

EFF 22 OCT 09 CHANGE: Revised

# AERODROME CHART

PENTICTON  
PENTICTON BC



Source of Canadian Civil Aeronautical Data : © 2010 NAV CANADA All rights reserved

# AERODROME CHART

PENTICTON BC  
PENTICTON  
NAD83

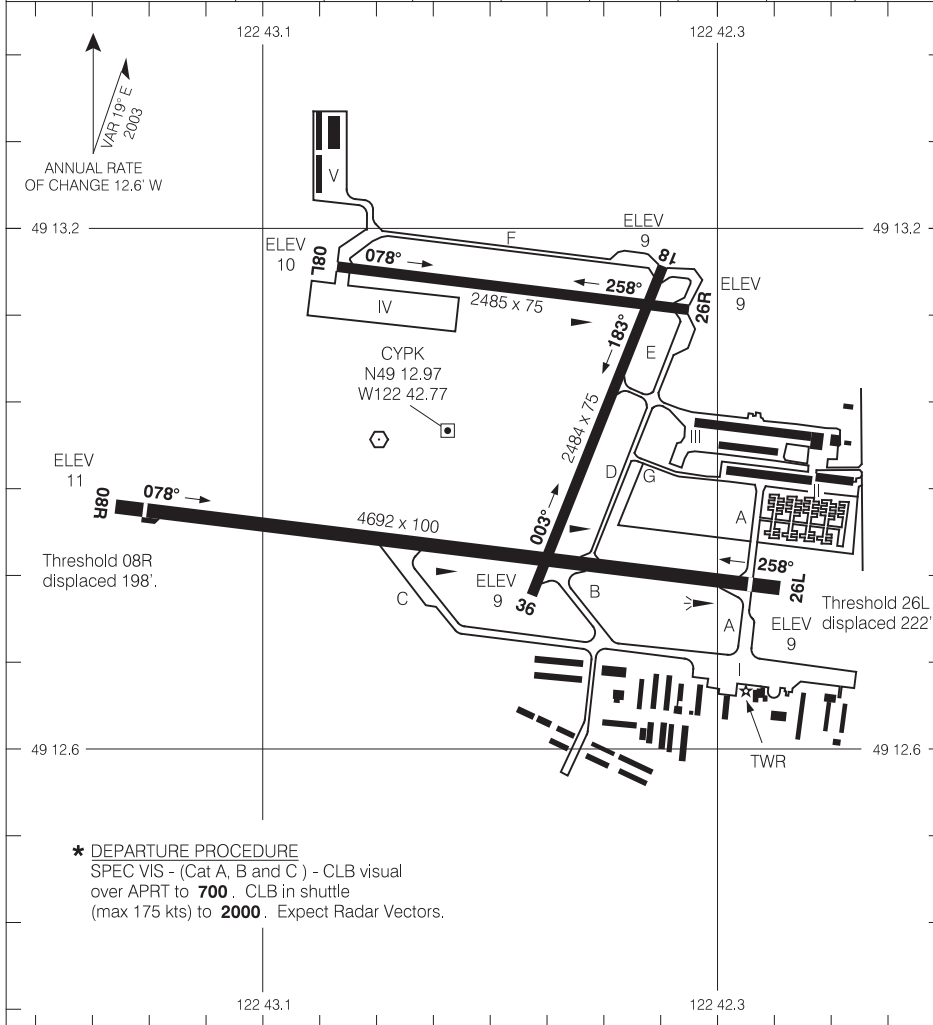
EFF 27 AUG 09 CHANGE: VOT deleted

# AERODROME CHART

PITT MEADOWS  
PITT MEADOWS BC

● ATIS 125.0	● GND 123.8	● TWR 126.3 O/T TFC 126.3 (MF 3 NM)	DEP VANCOUVER 132.3(S) 363.8
-----------------	----------------	---	------------------------------------

DECLARED DISTANCES	NIGHT							
	08R	26L	08L	26R	18	36	08R	26L
TORA	4692	4692	2485	2485	2484	2484	4272	4272
TODA	4992	4992	2585	2585	2584	2584	4794	4770
ASDA	4692	4692	2485	2485	2484	2484	4272	4272
LDA	4494	4470	2485	2485	2484	2484	4272	4272



Source of Canadian Civil Aeronautical Data : © 2010 NAV CANADA All rights reserved

TAKE-OFF MINIMA	SCALE IN FEET
All Rwy's: *	1000 0 1000

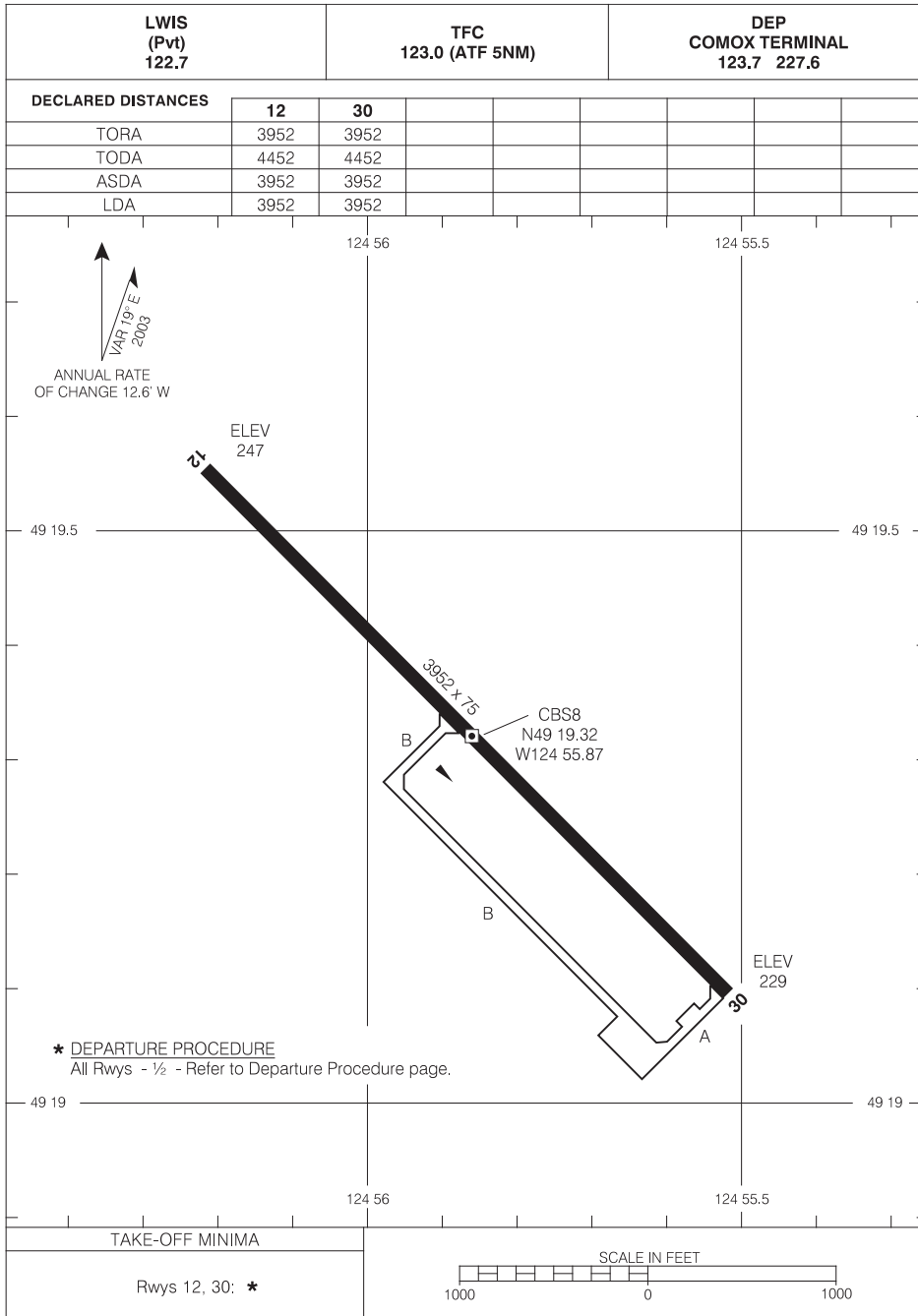
# AERODROME CHART

PITT MEADOWS BC  
PITT MEADOWS  
NAD83

EFF 17 DEC 09 CHANGE: Apron V

# AERODROME CHART

PORT ALBERNI (ALBERNI VALLEY REGIONAL)  
PORT ALBERNI BC



Source of Canadian Civil Aeronautical Data : © 2010 NAV CANADA All rights reserved

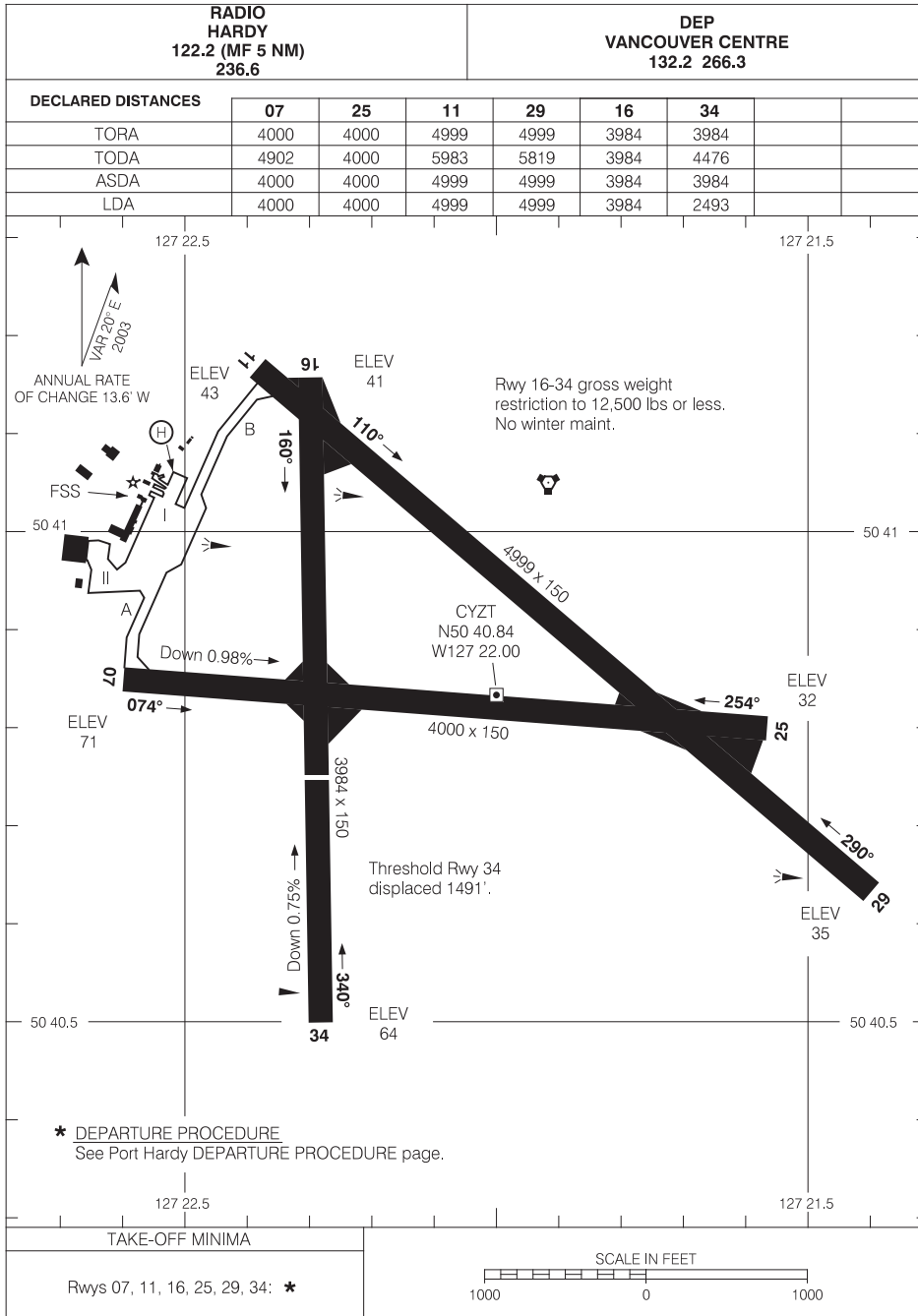
# AERODROME CHART

PORT ALBERNI BC  
PORT ALBERNI (ALBERNI VALLEY REGIONAL)  
NAD83

EFF 20 NOV 08 CHANGE: LWIS

# AERODROME CHART

PORT HARDY  
PORT HARDY BC



Source of Canadian Civil Aeronautical Data : © 2010 NAV CANADA All rights reserved

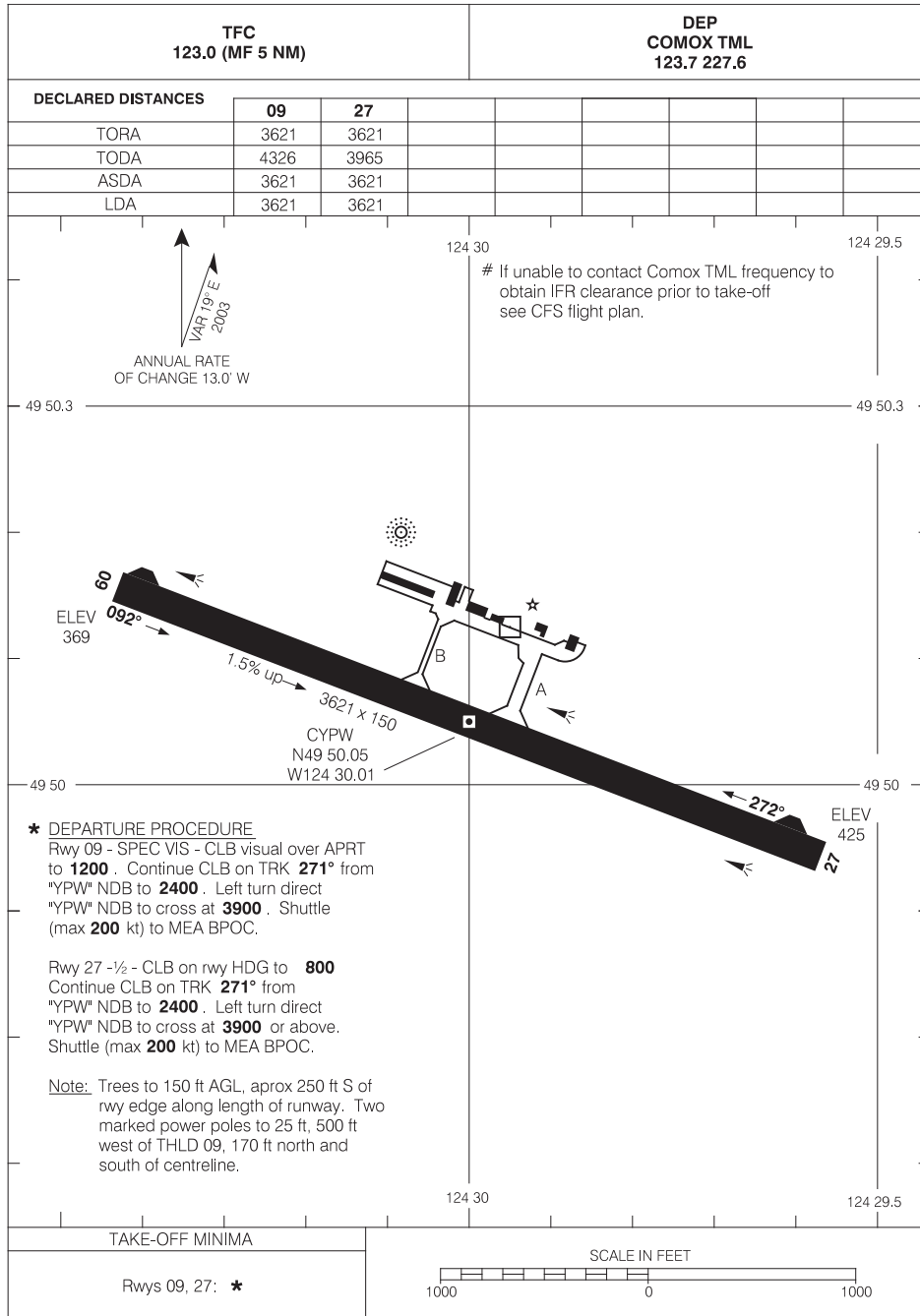
# AERODROME CHART

PORT HARDY BC  
PORT HARDY  
NAD83

EFF 11 FEB 10 CHANGE: Revised

# AERODROME CHART

POWELL RIVER  
POWELL RIVER BC



Source of Canadian Civil Aeronautical Data : © 2010 NAV CANADA All rights reserved

# AERODROME CHART

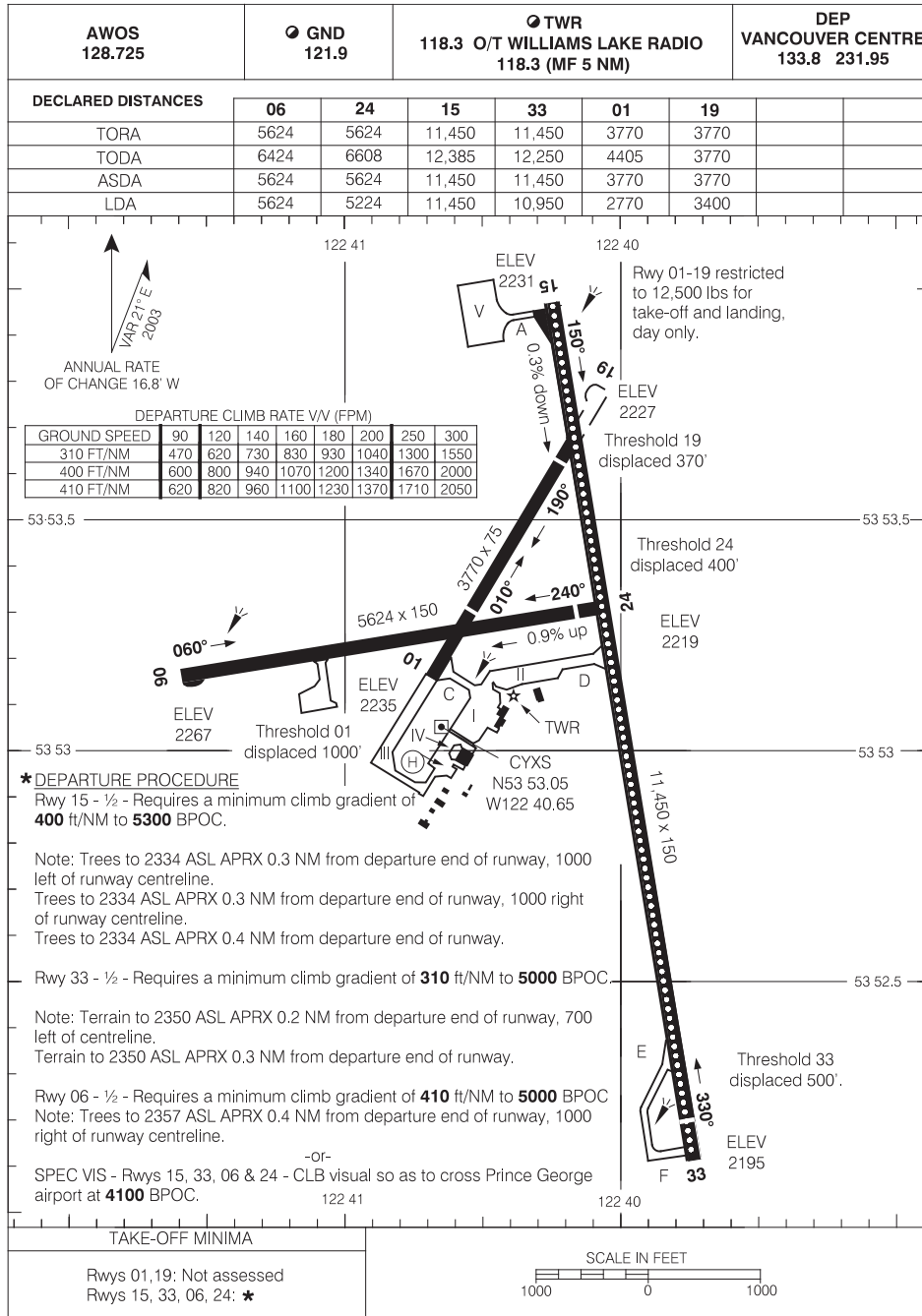
POWELL RIVER BC  
POWELL RIVER  
NAD83

EFF 5 JUL 07 CHANGE: Declared dist



# AERODROME CHART

PRINCE GEORGE  
PRINCE GEORGE BC



Source of Canadian Civil Aeronautical Data : © 2010 NAV CANADA All rights reserved

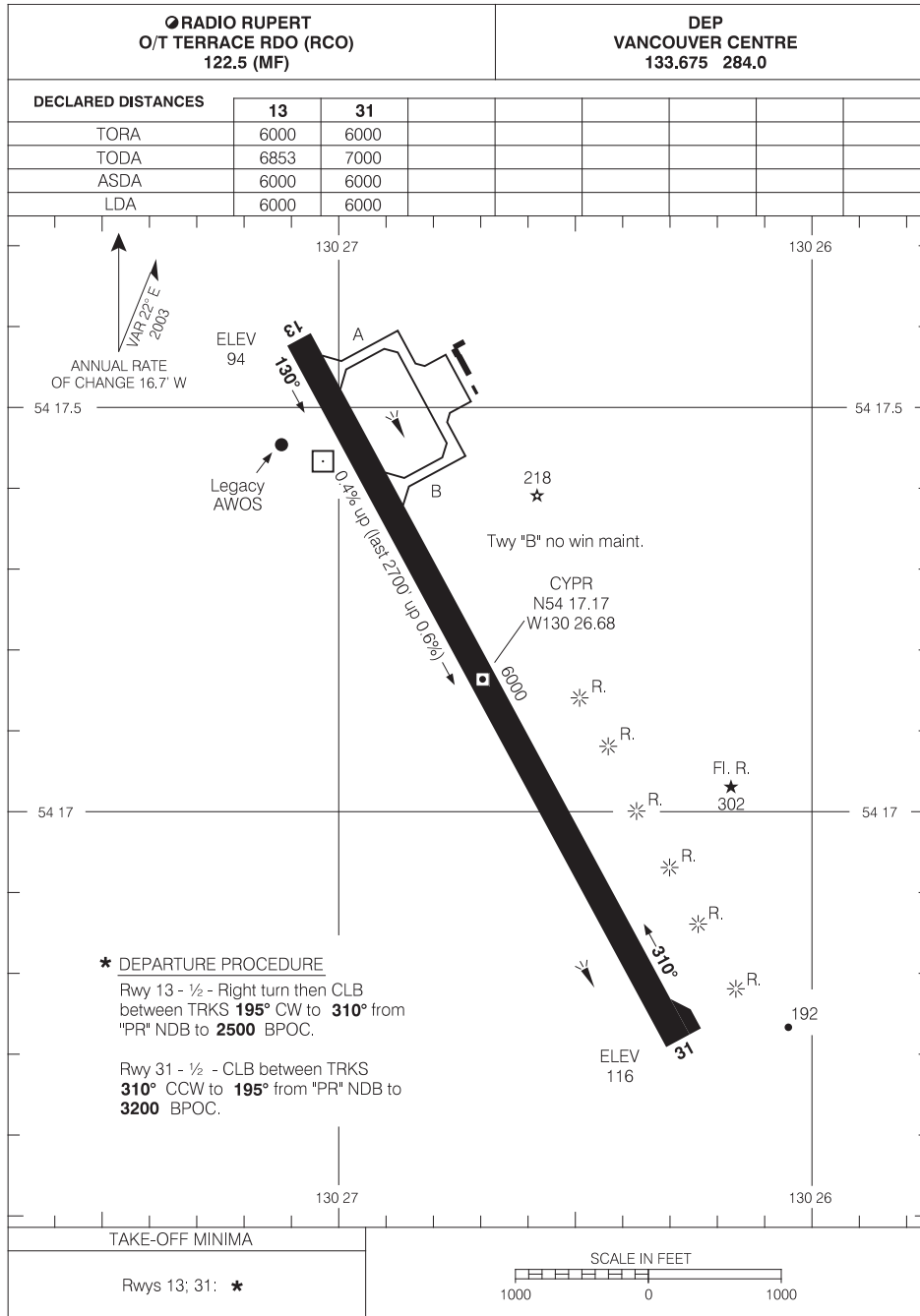
# AERODROME CHART

PRINCE GEORGE BC  
PRINCE GEORGE  
NAD83

EFF 17 DEC 09 CHANGE: Taxiway F

# AERODROME CHART

PRINCE RUPERT  
PRINCE RUPERT BC



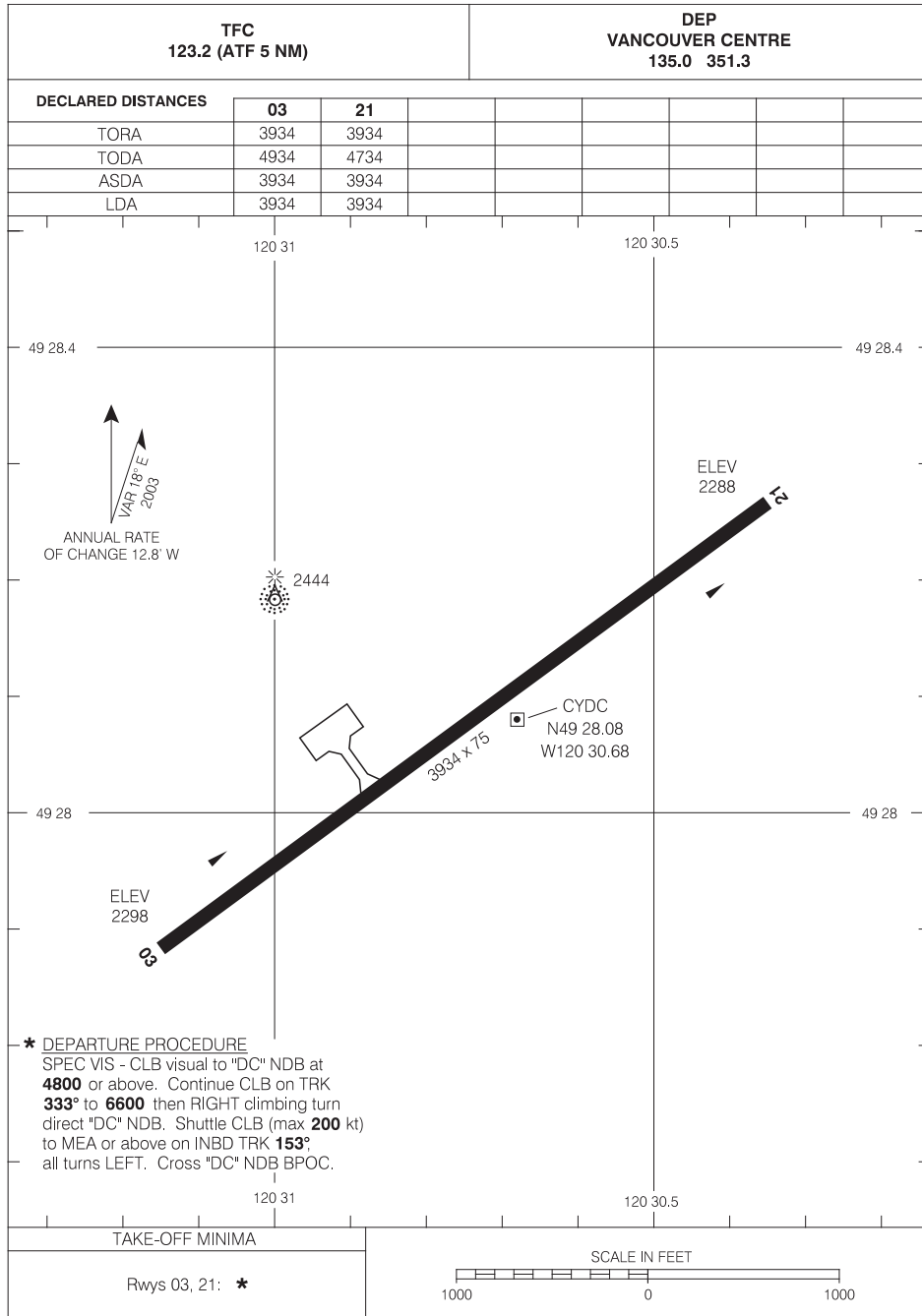
# AERODROME CHART

PRINCE RUPERT BC  
PRINCE RUPERT  
NAD83

EFF 27 AUG 09 CHANGE: VOT deleted

# AERODROME CHART

PRINCETON  
PRINCETON BC



Source of Canadian Civil Aeronautical Data : © 2010 NAV CANADA All rights reserved

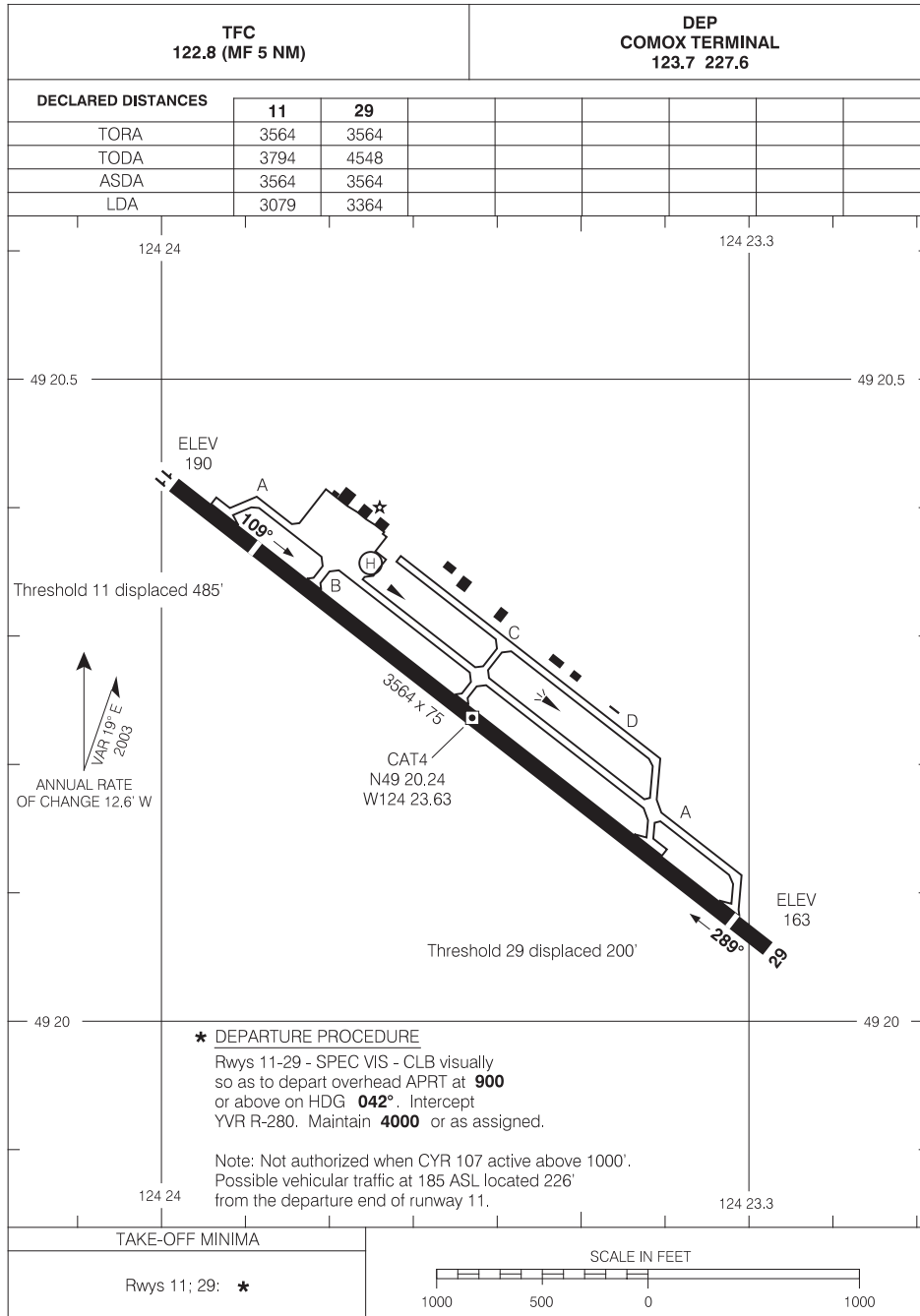
# AERODROME CHART

PRINCETON BC  
PRINCETON  
NAD83

EFF 13 APR 06 CHANGE: Editorial

# AERODROME CHART

QUALICUM BEACH  
QUALICUM BEACH BC



Source of Canadian Civil Aeronautical Data : © 2010 NAV CANADA All rights reserved

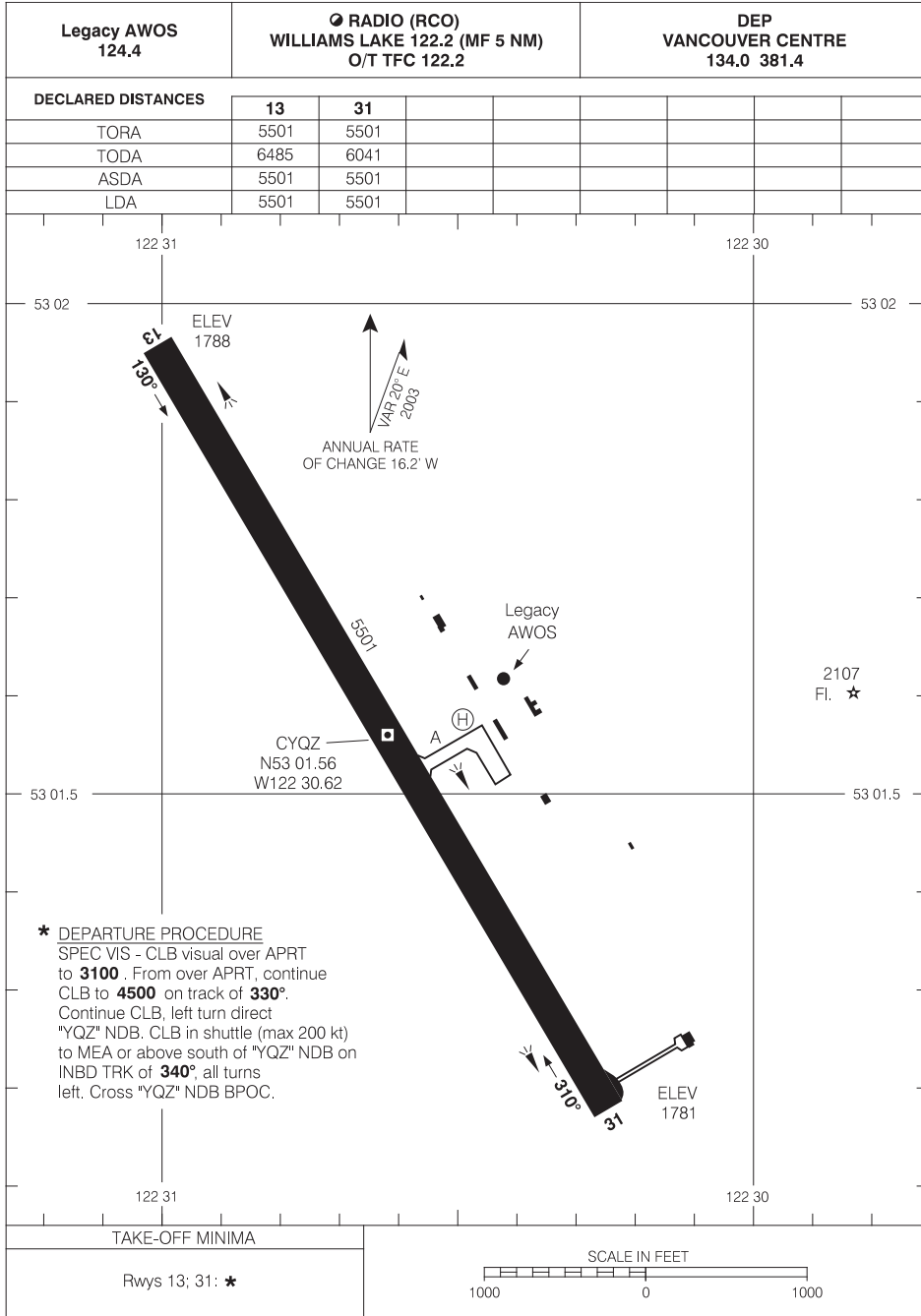
# AERODROME CHART

QUALICUM BEACH BC  
QUALICUM BEACH  
NAD83

EFF 22 OCT 09 CHANGE: Revised

# AERODROME CHART

QUESNEL  
QUESNEL BC



Source of Canadian Civil Aeronautical Data : © 2010 NAV CANADA All rights reserved

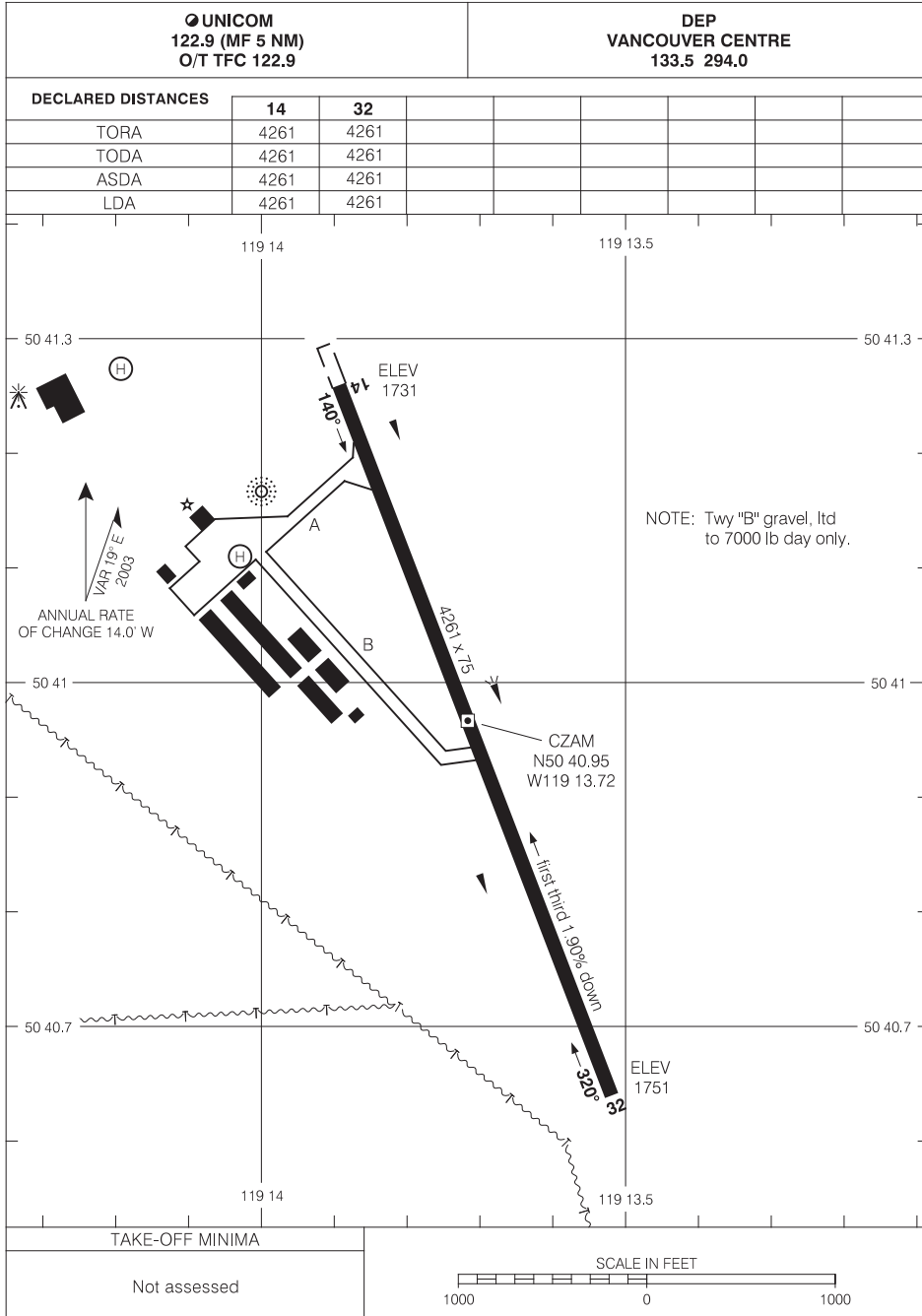
# AERODROME CHART

QUESNEL BC  
QUESNEL  
NAD83

EFF 11 FEB 10 CHANGE: Rwy distance, declared distance

# AERODROME CHART

SALMON ARM  
SALMON ARM BC



Source of Canadian Civil Aeronautical Data : © 2010 NAV CANADA All rights reserved

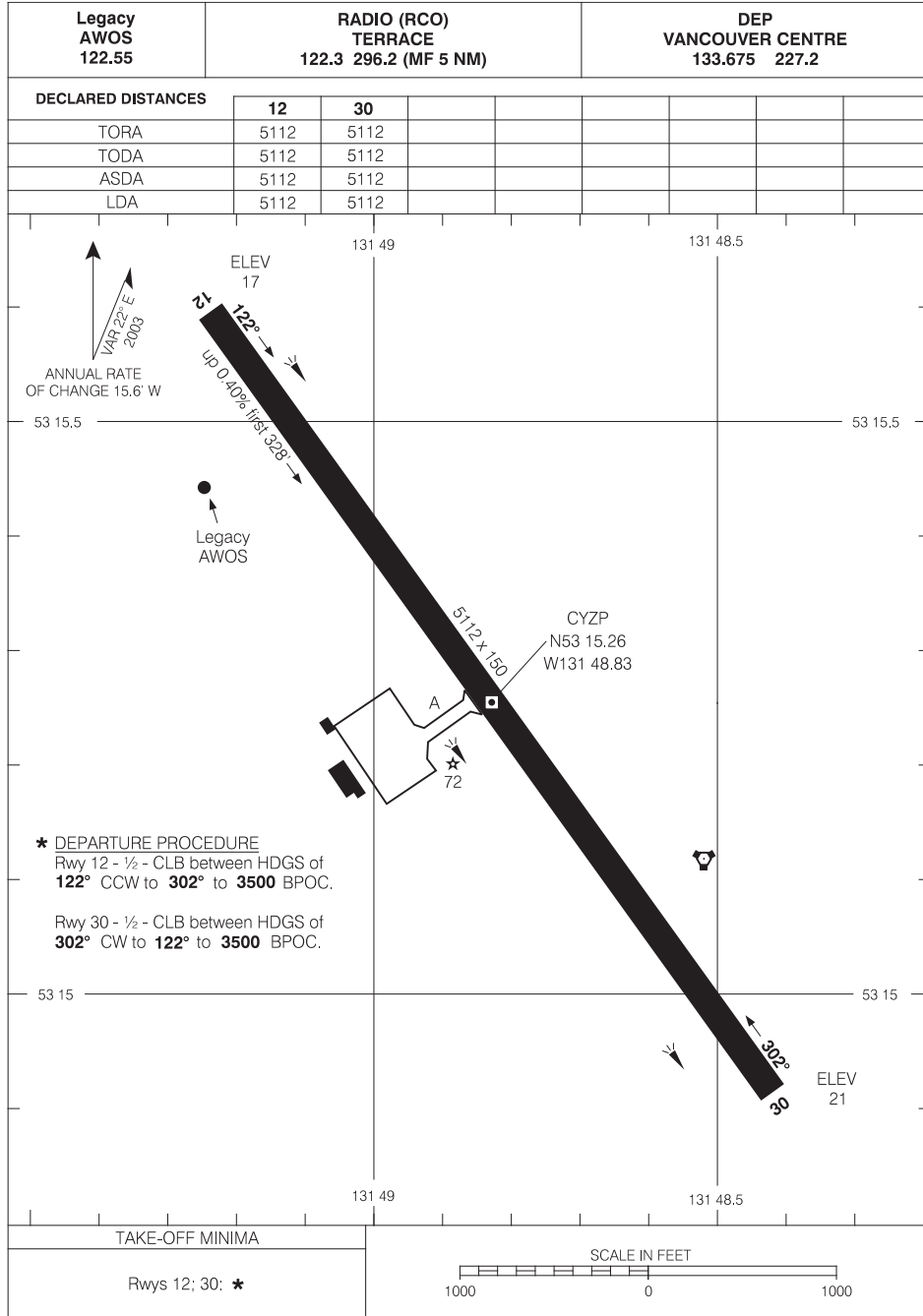
# AERODROME CHART

SALMON ARM BC  
SALMON ARM  
NAD83

EFF 11 FEB 10 CHANGE: Declared distances, rwy length, slope

# AERODROME CHART

SANDSPIT  
SANDSPIT BC



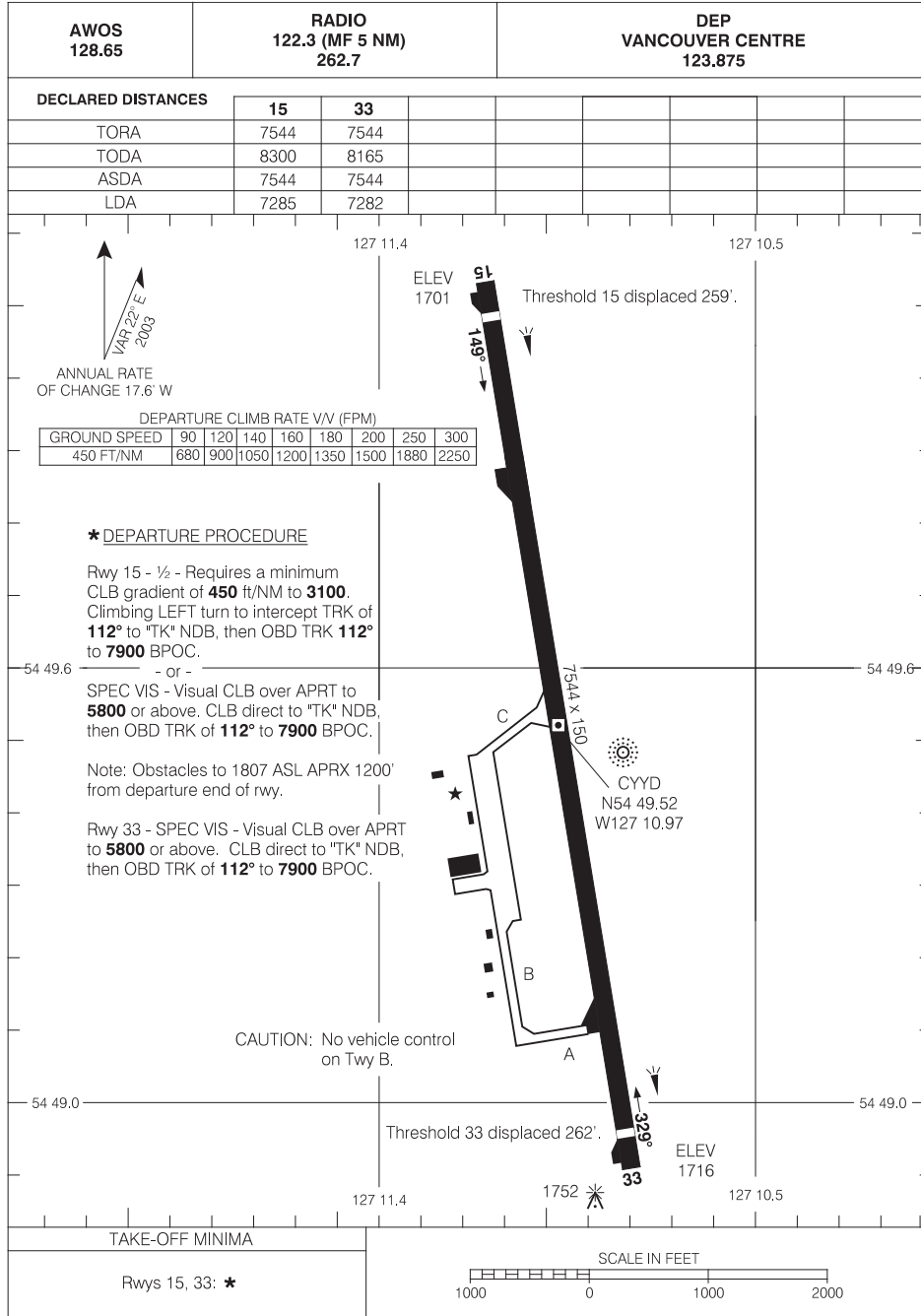
# AERODROME CHART

SANDSPIT BC  
SANDSPIT  
NAD83

EFF 11 FEB 10 CHANGE: Slope, declared distances, rwy length

# AERODROME CHART

SMITHERS  
SMITHERS BC



Source of Canadian Civil Aeronautical Data : © 2010 NAV CANADA All rights reserved

# AERODROME CHART

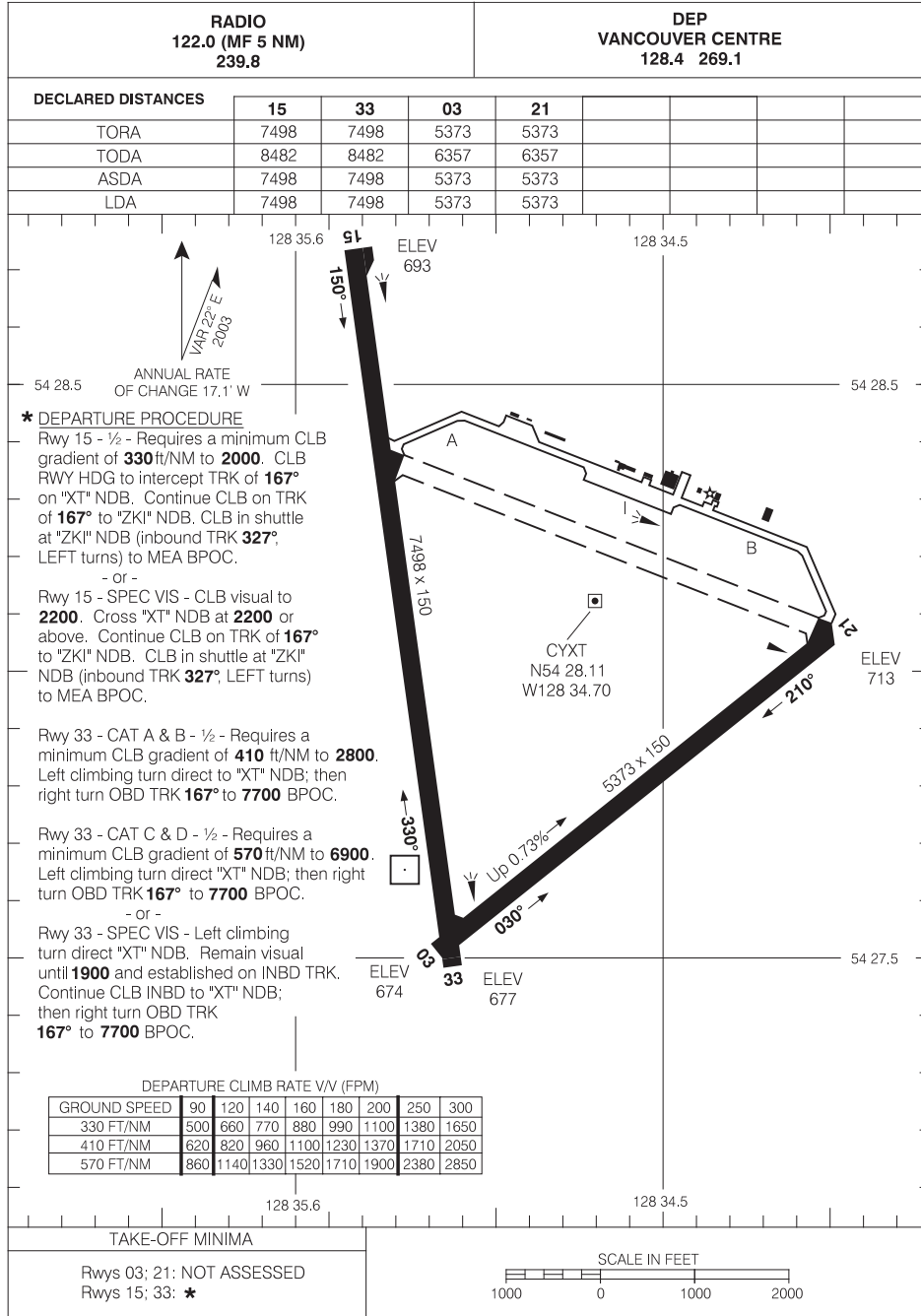
SMITHERS BC  
SMITHERS  
NAD83

EFF 11 FEB 10      CHANGE: Comm



# AERODROME CHART

TERRACE  
TERRACE BC



**\* DEPARTURE PROCEDURE**  
 Rwy 15 - ½ - Requires a minimum CLB gradient of **330** ft/NM to **2000**. CLB RWY HDG to intercept TRK of **167°** on "XT" NDB. Continue CLB on TRK of **167°** to "ZKI" NDB. CLB in shuttle at "ZKI" NDB (inbound TRK **327°**; LEFT turns) to MEA BPOC.  
 - or -  
 Rwy 15 - SPEC VIS - CLB visual to **2200**. Cross "XT" NDB at **2200** or above. Continue CLB on TRK of **167°** to "ZKI" NDB. CLB in shuttle at "ZKI" NDB (inbound TRK **327°**; LEFT turns) to MEA BPOC.

Rwy 33 - CAT A & B - ½ - Requires a minimum CLB gradient of **410** ft/NM to **2800**. Left climbing turn direct to "XT" NDB; then right turn OBD TRK **167°** to **7700** BPOC.

Rwy 33 - CAT C & D - ½ - Requires a minimum CLB gradient of **570** ft/NM to **6900**. Left climbing turn direct "XT" NDB; then right turn OBD TRK **167°** to **7700** BPOC.  
 - or -  
 Rwy 33 - SPEC VIS - Left climbing turn direct "XT" NDB. Remain visual until **1900** and established on INBD TRK. Continue CLB INBD to "XT" NDB; then right turn OBD TRK **167°** to **7700** BPOC.

DEPARTURE CLIMB RATE V/V (FPM)								
GROUND SPEED	90	120	140	160	180	200	250	300
330 FT/NM	500	660	770	880	990	1100	1380	1650
410 FT/NM	620	820	960	1100	1230	1370	1710	2050
570 FT/NM	860	1140	1330	1520	1710	1900	2380	2850

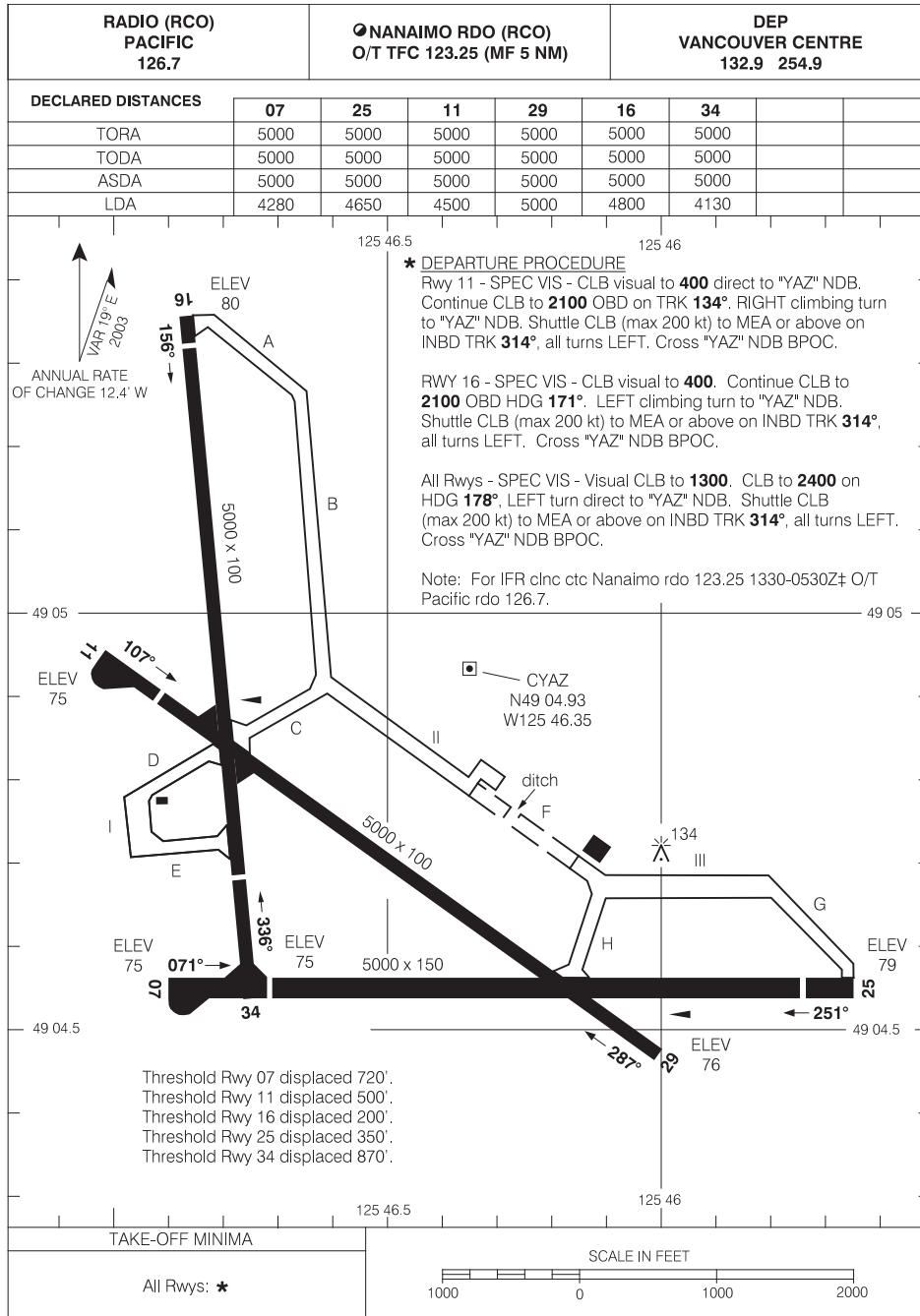
# AERODROME CHART

TERRACE BC  
TERRACE  
NAD83

EFF 11 FEB 10 CHANGE: Revised

# AERODROME CHART

TOFINO  
TOFINO BC



Source of Canadian Civil Aeronautical Data : © 2010 NAV CANADA All rights reserved

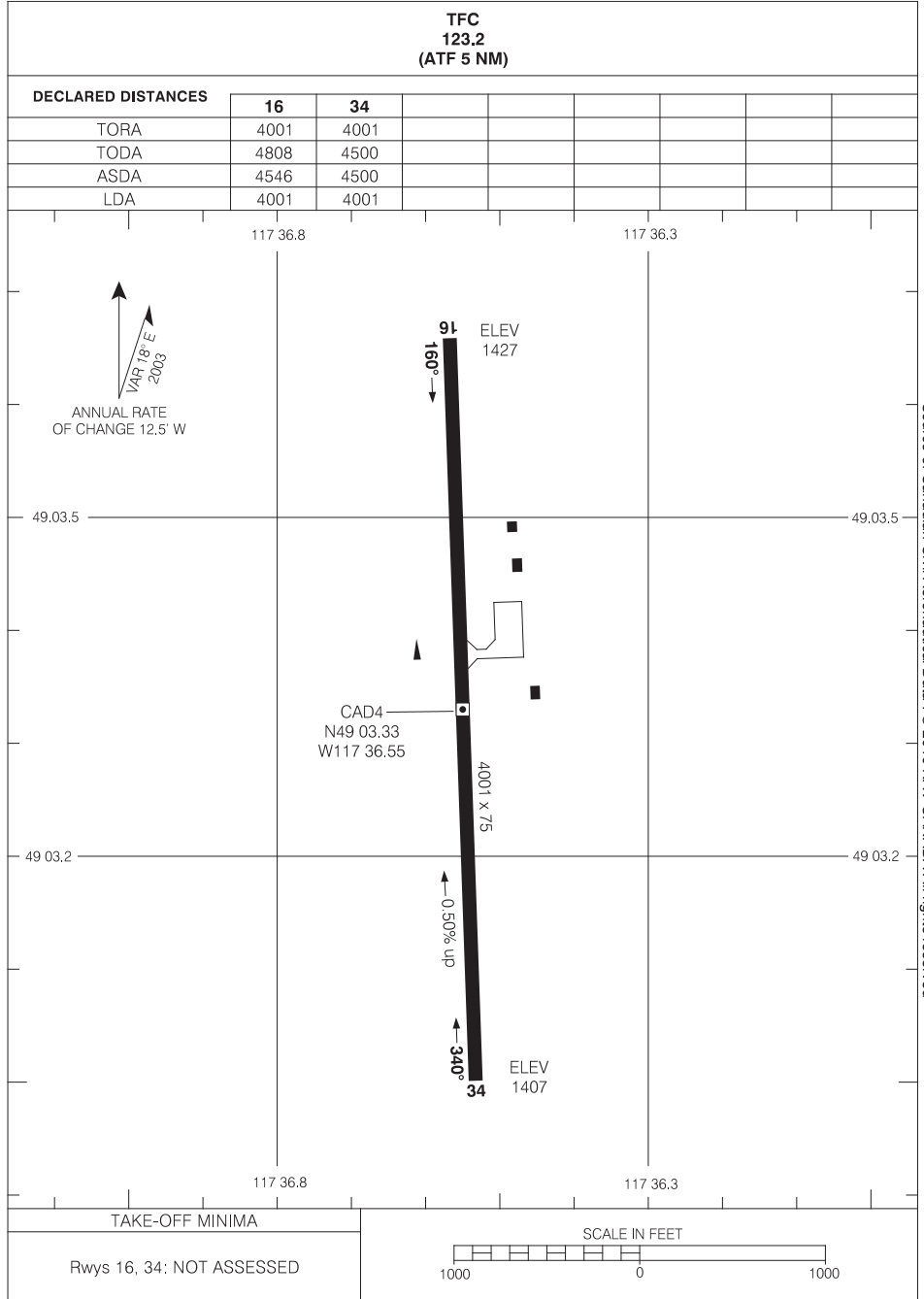
# AERODROME CHART

TOFINO BC  
TOFINO  
NAD83

EFF 15 JAN 09 CHANGE: Rwy idents

# AERODROME CHART

TRAIL  
TRAIL BC



Source of Canadian Civil Aeronautical Data : © 2010 NAV CANADA All rights reserved

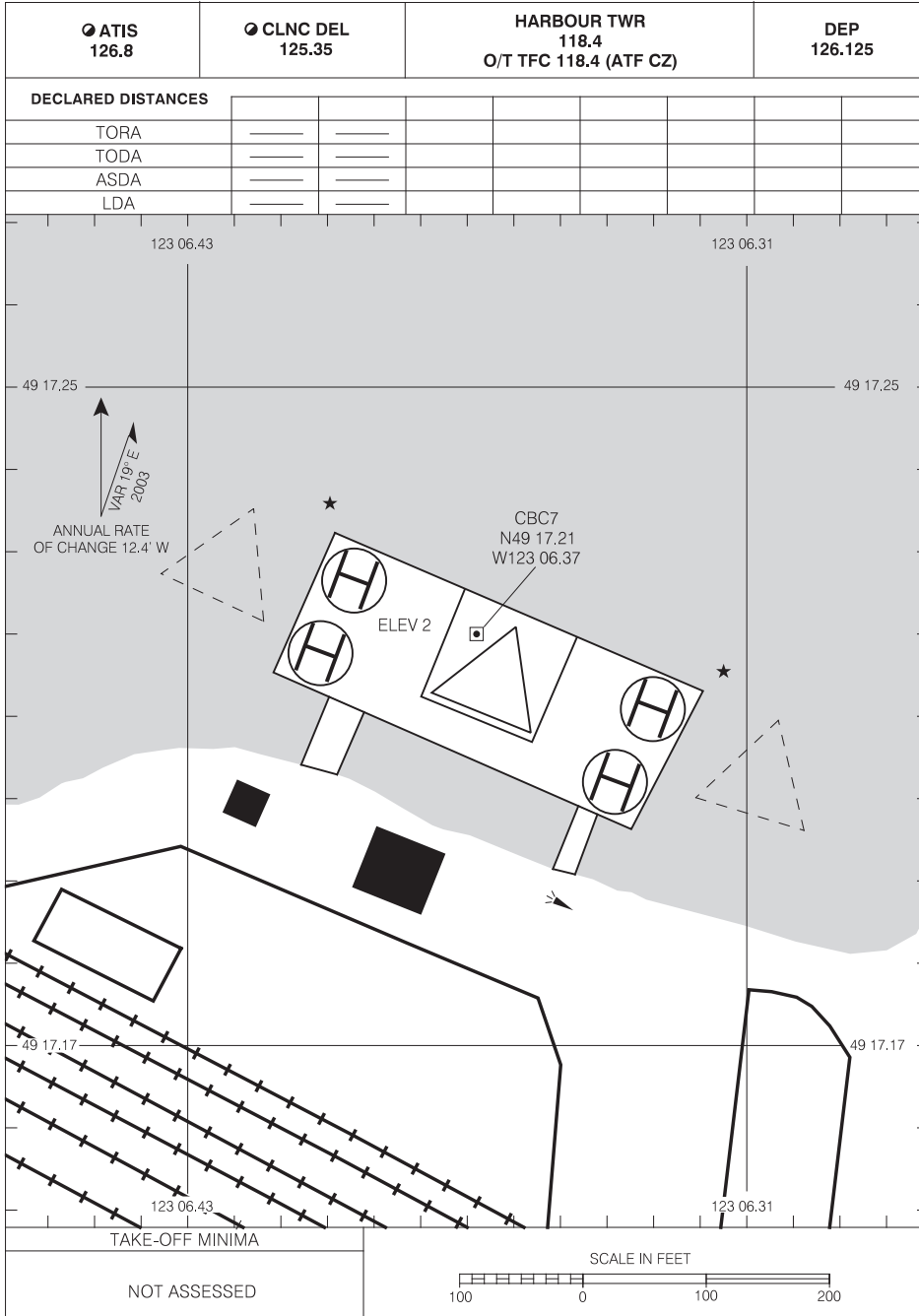
# AERODROME CHART

TRAIL BC  
TRAIL  
NAD83

EFF 27 AUG 09      CHANGE: Rwy slope and length, declared distances

# AERODROME CHART

VANCOUVER/HARBOUR (PUBLIC)  
VANCOUVER BC



Source of Canadian Civil Aeronautical Data : © 2010 NAV CANADA All rights reserved

# AERODROME CHART

VANCOUVER BC  
VANCOUVER/HARBOUR (PUBLIC)  
NAD83

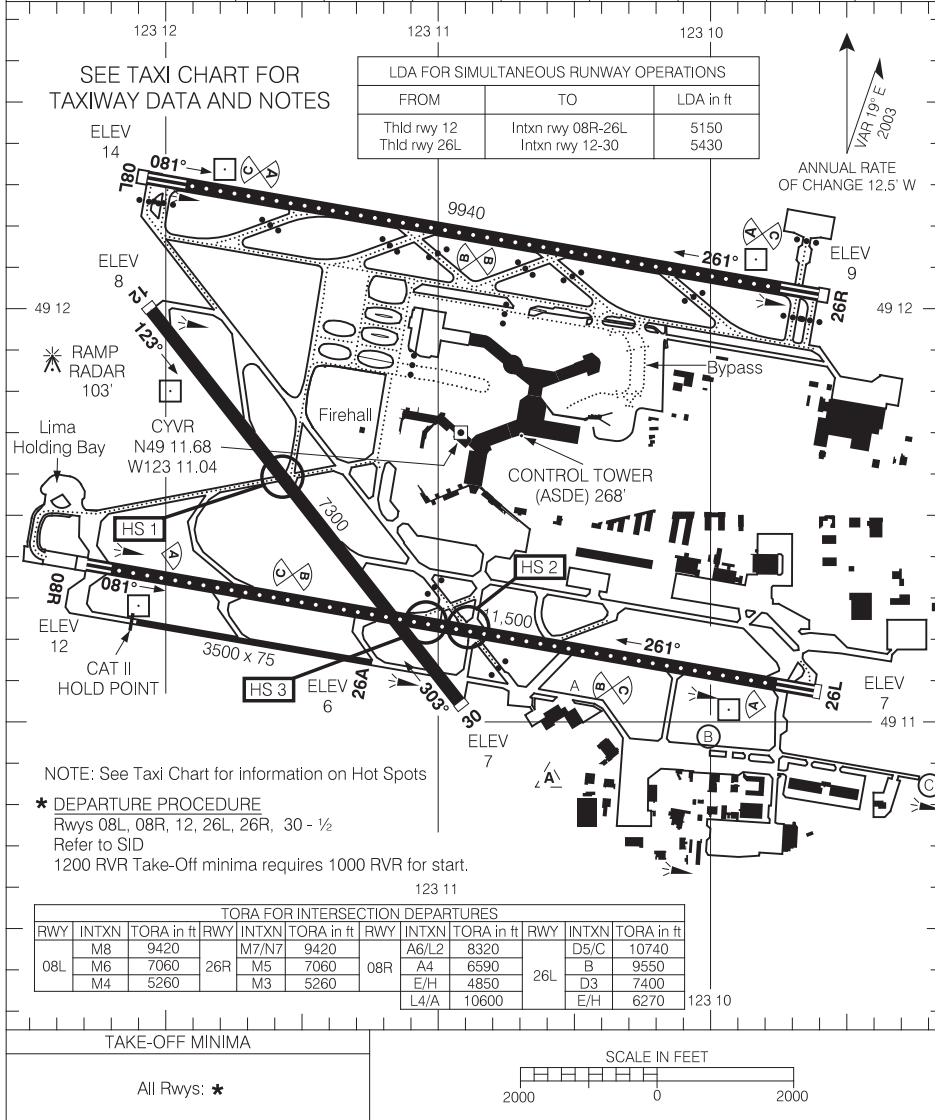
EFF 17 DEC 09 CHANGE: Comm, AGCC

# AERODROME CHART

VANCOUVER INTL  
VANCOUVER BC

<b>ATIS</b> 124.6	<b>CLNC DEL</b> 121.4	<b>GND</b> 121.7(S) 127.15(N) 275.8	<b>TWR</b> 118.7(S) 119.55(N) 226.5	<b>DEP</b> 126.125(N) 132.3(S) 363.8
----------------------	--------------------------	---	---	--

DECLARED DISTANCES							
	08R	26L	08L	26R	12	30	26A
TORA	11,500	11,500	9940	9940	7300	7300	3500
TODA	12,500	12,500	10940	10940	8300	8300	4500
ASDA	11,500	11,500	9940	9940	7300	7300	3500
LDA	11,000	11,500	9940	9940	7300	7300	nu



Source of Canadian Civil Aeronautical Data : © 2010 NAV CANADA All rights reserved

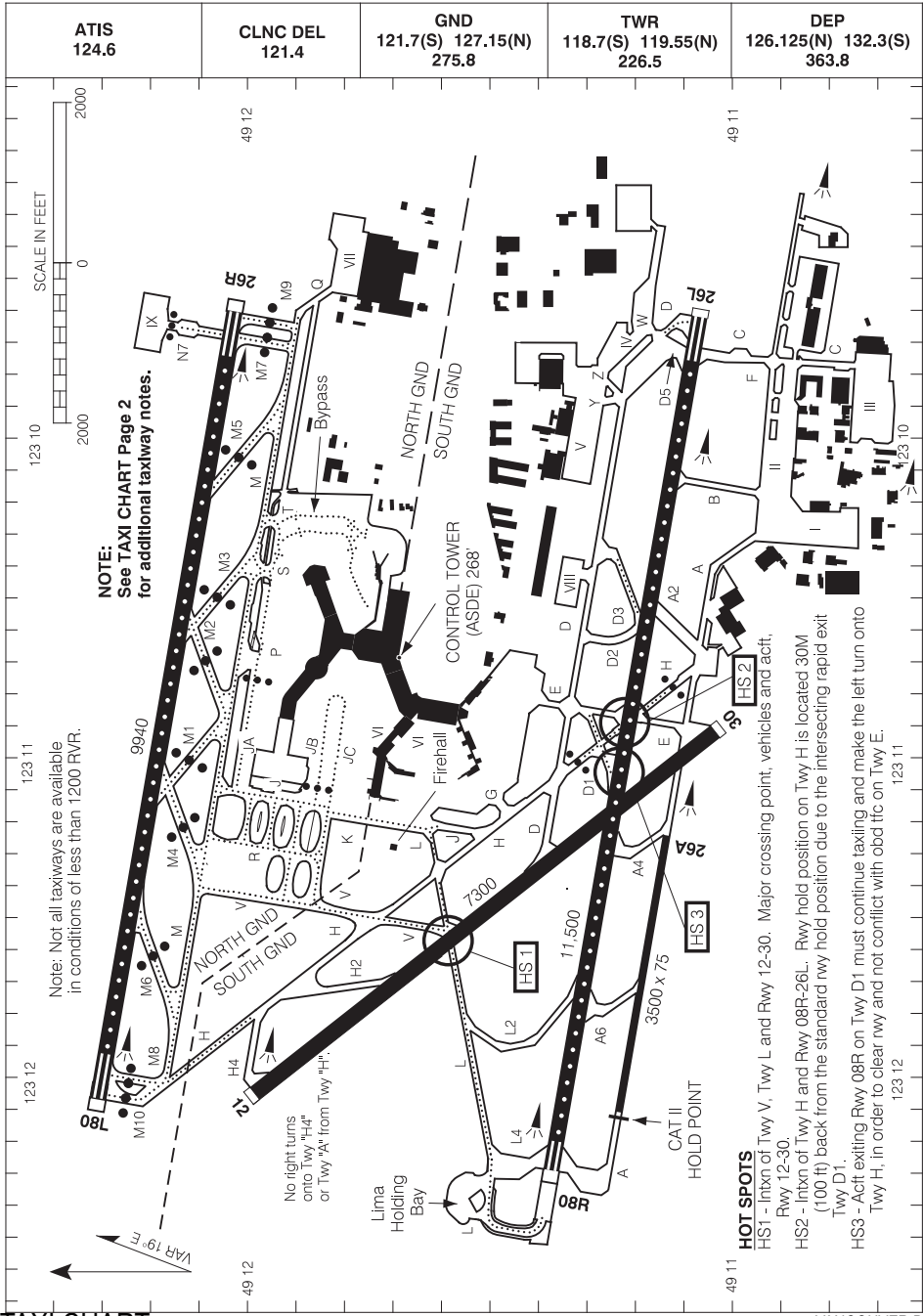
# AERODROME CHART

VANCOUVER BC  
VANCOUVER INTL  
NAD83

EFF 11 FEB 10 CHANGE: Twy, terminal

TAXI CHART (Page 1)

VANCOUVER INTL  
VANCOUVER BC



Source of Canadian Civil Aeronautical Data : © 2010 NAV CANADA All rights reserved

TAXI CHART

VANCOUVER BC  
VANCOUVER INTL  
NAD83

EFF 11 FEB 10 CHANGE: Twy, terminal

**NOTES**RWY 08L ARRIVALS

Reverse turns to exit rwy not authorized. Turbo-jets equipped with reverse thrust plan to exit Twy "M3" or beyond. A340-600/B777-300 exit Twys M5/M7/M9.

RWY 08R ARRIVALS

A340-600/B777-300 exit Twys D/D5.

Acft exiting onto "D1", turn north on "H" & hold short of "D". Do not stop in rwy area. See HOT SPOT 3.

RWY 26R ARRIVALS

Reverse turns not authorized turbo-jet. Turbo-prop auth daytime hrs only with prior approval. Turbo-jets equipped with reverse thrust plan to exit Twy "M4" or beyond. A340-600/B777 - 300 exit Twys M6/M8/M10.

RWY 26L ARRIVALS

Turns onto Rwy 30 NOT AUTHORIZED without clearance. A340-600/B777-300 exit Twy L.

A340-600/B777-300 PROHIBITED TAXIWAYS:

A, A2, A4, A6, B, C, D2, D3, E, F, G, H, (south of 08R/26L), H2, H4, L2 & S. 26L arrivals must exit Twy L.

WIDE BODY ACFT RESTRICTIONS EXCEPT B767/A310/A300:

Twy "D5", "D" restricted from simultaneous use. Apron "VI" - exit from Twy "G" and "S" not avbl.

Twy "L" - no right turns on to apron "VI". Twy "C" north of Twy "F" not avbl.

Twy "H" - no right turns onto "H4", "D", "A" and "L".

Twy "J" no left turns onto Twy "L".

APRON VI:

Apron VI bypass (taxilane centreline yellow lighting):

Simultaneous use of dual taxilanes restricted to narrow body acft.

Apron VI (horseshoe): Simultaneous use of dual taxilanes restricted to B737, A320 acft or smaller.

Source of Canadian Civil Aeronautical Data : © 2008 NAV CANADA All rights reserved

**CODED TAXI ROUTES**

<p><b>READ BACK: "CODE ROUTE (code) AND ASSIGNED RUNWAY"</b>                      Monitor tower frequency approaching the hold line of the assigned runway,                      unless otherwise instructed by ATC.                      Rwy 08R/26L - TWR 118.7      Rwy 08L/26R - TWR 119.55</p>	
Code	Taxi Route
Echo	Rwy 08R - E, D, H, hold short L. Rwy 08L - E, D, H, hold short V, contact ground 127.15 (expect taxi via H, M, M10). Rwy 26R - E, D, H, hold short V, contact ground 127.15 (expect taxi via V, M, M9). Rwy 26L - E, D.
Golf	Rwy 08R - G, H, hold short L. Rwy 08L - G, H, hold short V, contact ground 127.15 (expect taxi via H, M, M10). Rwy 26R - G, H, hold short V, contact ground 127.15 (expect taxi via V, M, M9). Rwy 26L - G, H, D.
Juliet-Alfa*	Rwy 08R - JA, J, K, V, hold short H, contact ground 121.7 (expect taxi via V, L). Rwy 08L - JA, J, M, M10. Rwy 26R - JA, J, M, M9. Rwy 26L - JA, J, K, V, hold short H, contact ground 121.7 (expect taxi via H, D).
Juliet-Bravo*	Rwy 08R - JB, J, K, V, hold short H, contact ground 121.7 (expect taxi via V, L). Rwy 08L - JB, J, M, M10. Rwy 26R - JB, J, M, M9. Rwy 26L - JB, J, K, V, hold short H, contact ground 121.7 (expect taxi via H, D).
Juliet-Charlie*	Rwy 08R - JC, K, V, hold short H, contact ground 121.7 (expect taxi via V, L). Rwy 08L - JC, J, M, M10. Rwy 26R - JC, J, M, M9. Rwy 26L - JC, K, V, hold short H, contact ground 121.7 (expect taxi via H, D).
Lima	Rwy 08L - L, H, hold short V, contact ground 127.15 (expect taxi via H, M, M10). Rwy 26R - L, H, hold short V, contact ground 127.15 (expect taxi via V, M, M9). Rwy 26L - L, J, H, D.
Papa*	Rwy 08R - P, M, V, hold short H, contact ground 121.7 (expect taxi via V, L). Rwy 08L - P, M, M10. Rwy 26R - P, M, M9. Rwy 26L - P, M, V, hold short H, contact ground 121.7 (expect taxi via H, D).
Sierra	Rwy 08R - S, M, V, hold short H, contact ground 121.7 (expect taxi via V, L). Rwy 08L - S, M, M10. Rwy 26R - S, M, M9. Rwy 26L - S, M, V, hold short H, contact ground 121.7 (expect taxi H, D).
Tango*	Rwy 08R - T, M, V, hold short H, contact ground 121.7 (expect taxi via V, L). Rwy 08L - T, M, M10. Rwy 26R - T, M, M9. Rwy 26L - T, M, V, hold short H, contact ground 121.7 (expect taxi via H, D).

Source of Canadian Civil Aeronautical Data : © 2010 NAV CANADA All rights reserved

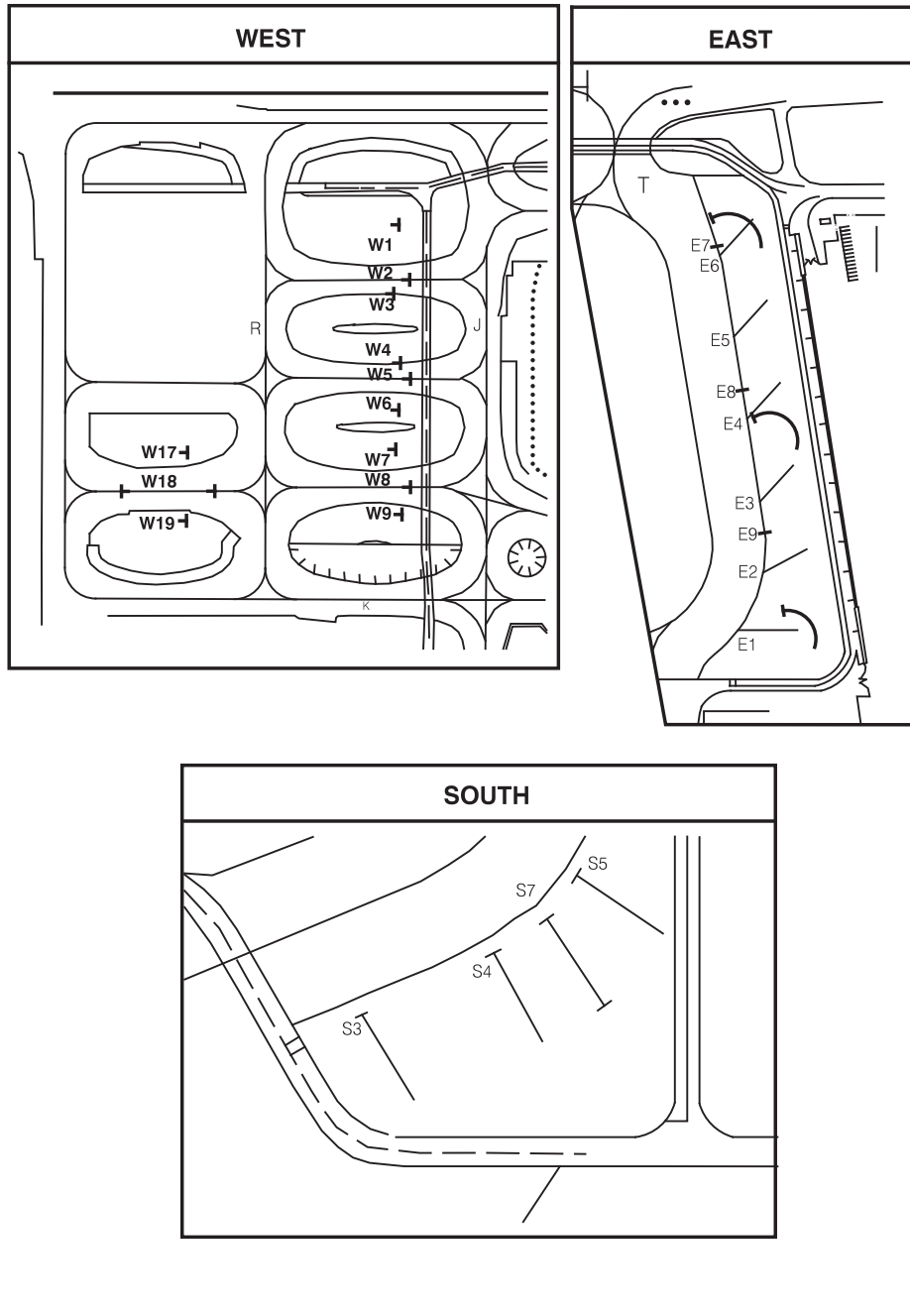
\*A340-600/B777-300 Taxi Routes

**CODED TAXI ROUTES**



DE-ICING FACILITY

VANCOUVER INTL  
VANCOUVER BC



Source of Canadian Civil Aeronautical Data : © 2010 NAV CANADA All rights reserved

DE-ICING FACILITY

VANCOUVER BC  
VANCOUVER INTL  
NAD83

EFF 11 FEB 10 CHANGE: Revised

## DE-ICING GENERAL

1. De-icing at gates permitted for frost removal only, contact "VANCOUVER DE-ICE" on 129.95.
2. De-icing pads West, East and South are positively controlled when de-icing OPS are in effect, AEROMAG is providing control of all aircraft and vehicle movements on these surfaces.
3. 30 min prior to pushback or taxi, advise "VANCOUVER DE-ICE" on 129.95 that de-icing is required, the type(s) of fluids required and the aircraft type. VANCOUVER DE-ICE will designate de-ice pad.
4. When requesting pushback or taxi clearance, advise ATC that de-icing is required and designated de-ice pad.
5. When advised by ATC, contact "AEROMAG" on 131.975 for instructions in the de-icing center and assignment to a de-icing bay.
6. Follow AEROMAG instructions to de-icing bay.
7. When advised by AEROMAG, contact ICEMAN on 136.775 and confirm brakes set, aircraft configured, engines at idle, de-icing fluid requirements and any special de-icing instructions.
8. After de-icing is completed and the aircraft has been inspected, ICEMAN will confirm aircraft is clean, start time for HOLDOVER and types of fluids applied.
9. When advised by ICEMAN, contact AEROMAG on 131.975 for instructions.

**UNDER NO CIRCUMSTANCES MAY THE AIRCRAFT BE MOVED BEFORE AEROMAG ADVISES THAT THE AIRCRAFT IS CLEARED TO TAXI OUT OF THE BAY.**

### WEST PAD

1. Aircraft queuing is on Twy V south of Twy K and on Twy V north of de-icing bay W17.
2. When transferred from ATC, follow AEROMAG instructions to de-icing bays.

### EAST PAD

1. Aircraft flow is from south to north. E8 and E9 bays are generally used as queue positions for de-ice on E7.
2. Advise ATC when ready for pushback or taxi. ATC will coordinate with AEROMAG to ensure queue space is available at the facility. Expect to hold at the gate until queue space is available.
3. When transferred from ATC, follow AEROMAG instructions to assigned de-icing bay stop position using the following references:
  - a. E7 stop abeam the end of the blast fence.
  - b. E8 stop abeam the E8 designation sign on blast fence.
  - c. E9 stop abeam the E9 designation sign on blast fence.

### SOUTH PAD

1. Queue space is limited. Advise ATC when ready for push-back or taxi from gate. ATC will coordinate with AEROMAG to ensure queue space is available at the facility. Expect to hold at the gate until queue space is available.
2. When transferred from ATC, follow AEROMAG instructions to de-icing bay S7.
3. Jet Aircraft larger than a CRJ-200 are prohibited from turning around on S7 under power.

## DE-ICING GENERAL

**ARRIVAL/DEPARTURE PROCEDURES RVR LESS THAN 1200 TO 600**

**APPLICATION**

These procedures apply to ground movements of aircraft arriving and departing under low visibility conditions. Arrivals and departures below RVR 600 are not authorized. When weather conditions indicate visibility below RVR 1200 is imminent, procedures will be implemented restricting aircraft and vehicle operations on the movement area. The following message will be added to the ATIS broadcast: "Low visibility procedures in effect for <name of applicable runway>."

**GENERAL**

**Taxi Routes**

Taxiways M, J north of L, L, K, R, S, P, T, V, M1-M10 and north side of Apron VI are equipped with green centreline lights and yellow in-set taxiway intersection lights. These yellow lights are located at taxiway/taxiway intersections coincident with lighted taxiway signs or at a taxi position fix on the apron coincident with taxi position markings. Aircraft may be directed to hold or report by any of these positions. Midfield crossings of Rwy 08R/26L are not permitted.

**Airport Surface Detection Equipment (ASDE)**

Ground radar is used to monitor the position of aircraft operating on the manoeuvring area. In the event of an ASDE failure, ATC may suspend, restrict or terminate low visibility operations.

**DEPARTURES**

The primary runways for departure are 08R/26L. Yellow flashing runway guard lights (wig-wags) are installed abeam each hold line. Intersection take-offs are not permitted.

**Sequencing of Aircraft Ground Movements for Take-off**

Do not request start, push back or call for taxi clearance until the reported RVR is greater than:

<u>Aircraft/Pilot Take-off Minima</u>	<u>Minimum RVR for Start</u>
1200 RVR	1000 RVR
600 RVR	600 RVR

**SMGCS Rwy 08L/26R**

Taxiways M1-M10 are equipped with a stop bar consisting of red in-set lights and red elevated lights located at the taxi holding position. Yellow flashing runway guard lights (wig-wags) are also installed abeam each stop bar location. When the red stop bar lights are illuminated, green lead on lights beyond the stop bar are extinguished. When ATC issues a clearance to proceed onto the runway, the red stop bar lights will be extinguished and the green lead on lights beyond the stop bar will be illuminated. The stop bar is reset automatically as the aircraft moves onto the runway.

**"AT NO TIME SHALL A PILOT CROSS AN ILLUMINATED RED STOP BAR"**

**ARRIVALS**

The primary runways for arrival are 08L/26R.

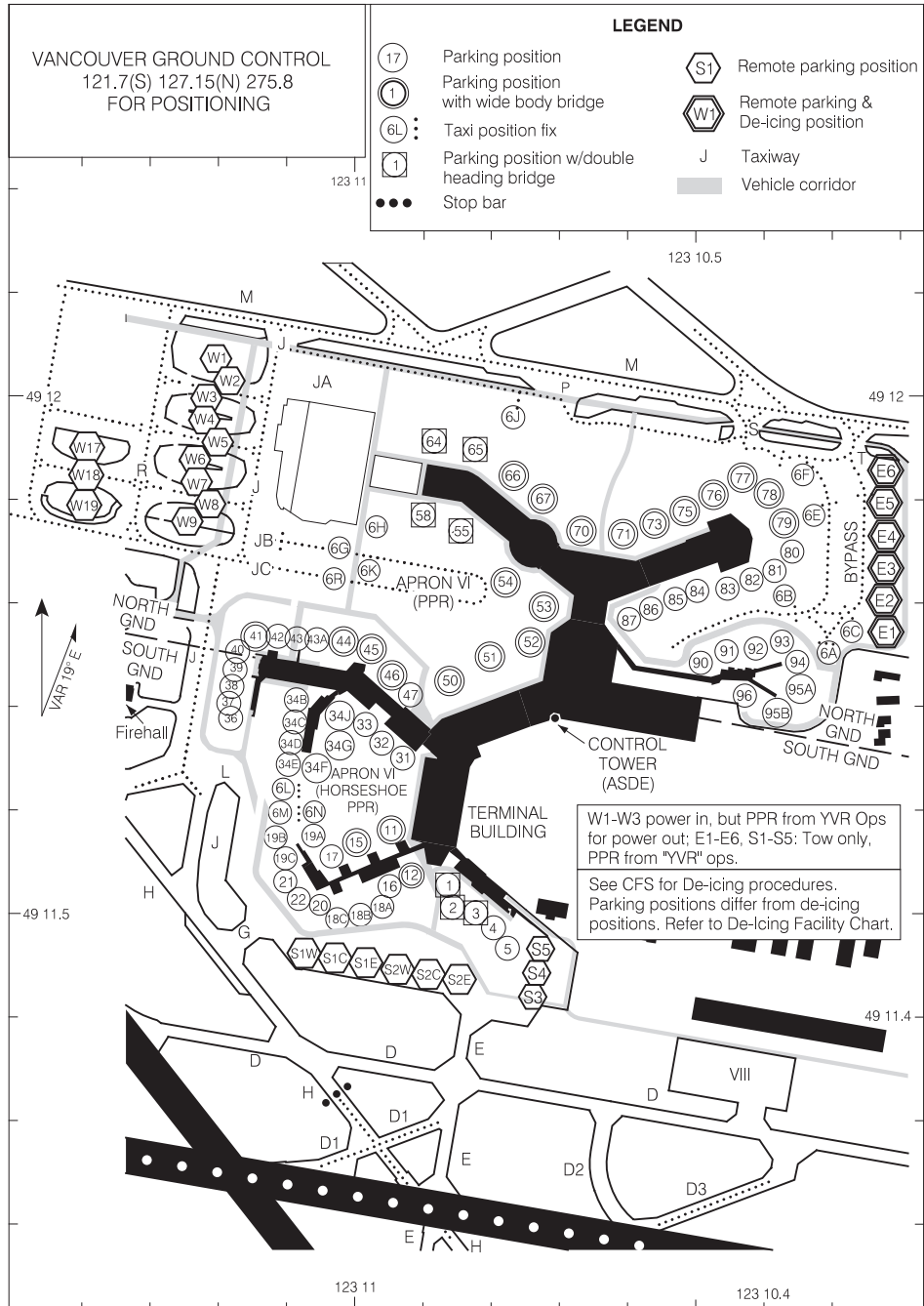
Plan to exit on the centerline lighted rapid exit taxiways and proceed beyond the alternating green and yellow centerline lights to the taxi intersection lights to ensure the aircraft is clear of the runway and the ILS sensitive area.

"Follow me" service is available.

**ARRIVAL/DEPARTURE PROCEDURES RVR LESS THAN 1200 TO 600**

# PARKING AREAS

VANCOUVER INTL  
VANCOUVER BC



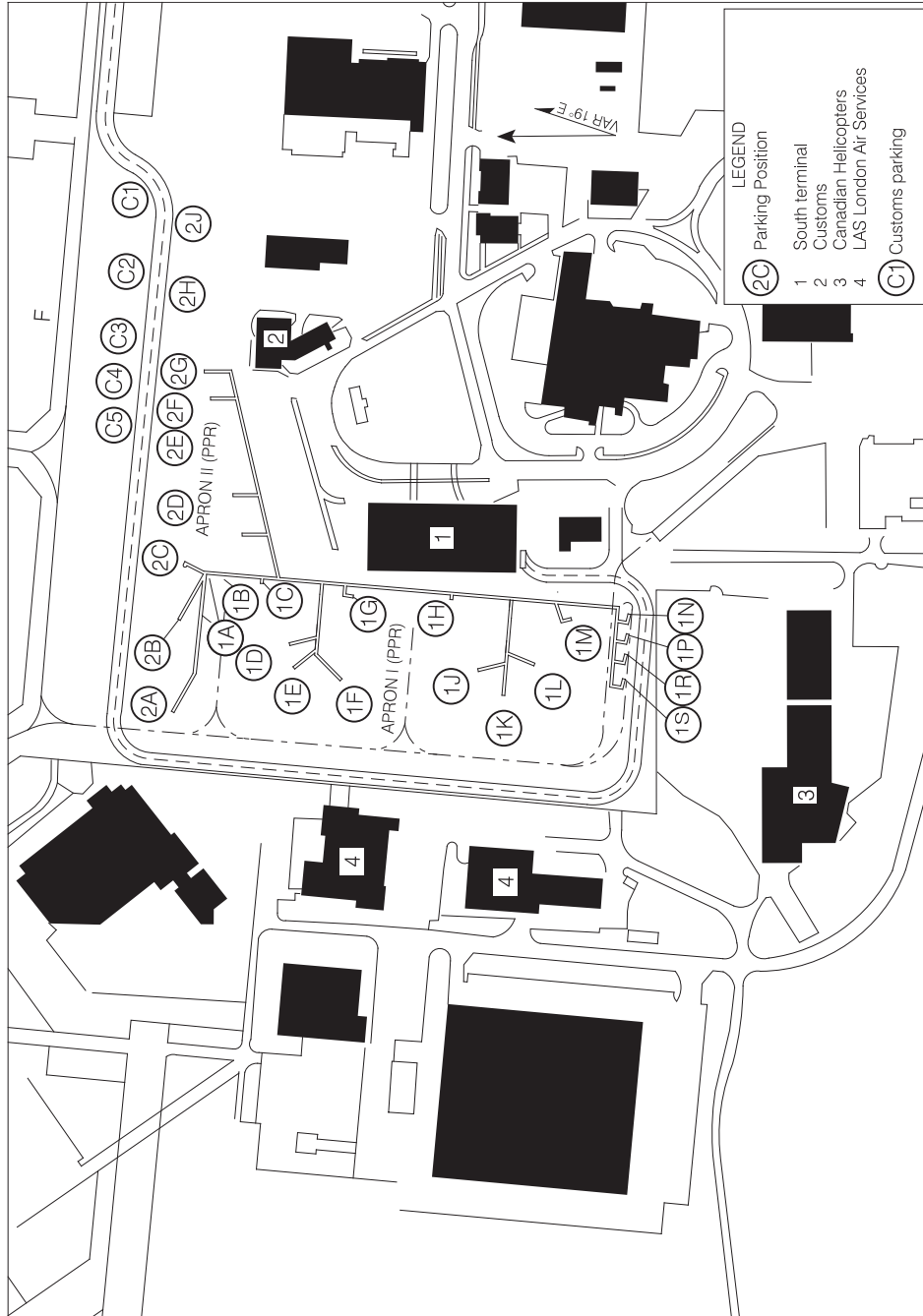
# PARKING AREAS

VANCOUVER BC  
VANCOUVER INTL  
NAD83

EFF 11 FEB 10 CHANGE: Revised

SOUTH TERMINAL PARKING AREAS

VANCOUVER INTL  
VANCOUVER BC



Source of Canadian Civil Aeronautical Data : © 2010 NAV CANADA All rights reserved

SOUTH TERMINAL PARKING AREAS

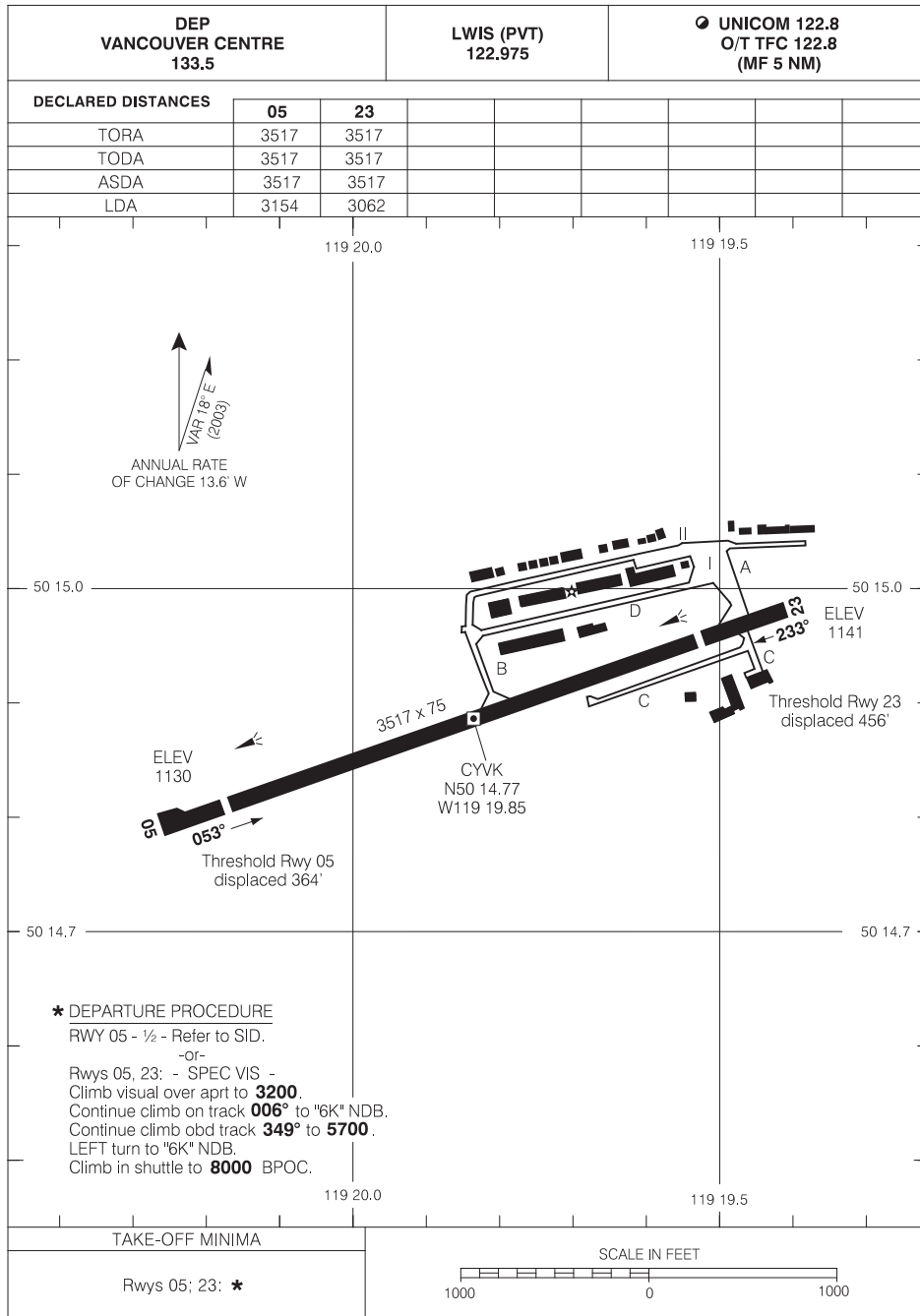
VANCOUVER BC  
VANCOUVER INTL

EFF 11 FEB 10

CHANGE: Customs parking

# AERODROME CHART

VERNON  
VERNON BC



Source of Canadian Civil Aeronautical Data : © 2010 NAV CANADA All rights reserved

# AERODROME CHART

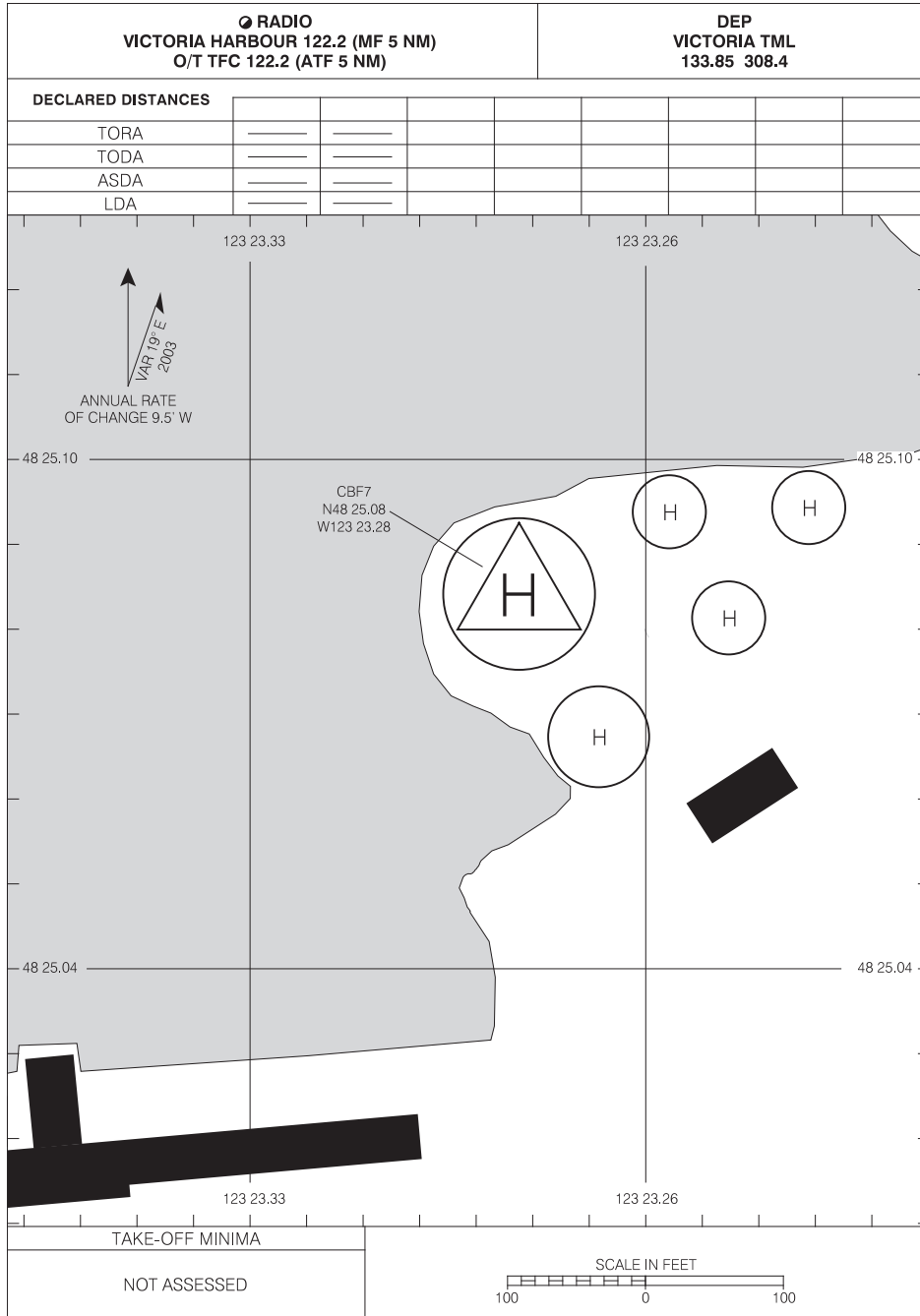
VERNON BC  
VERNON  
NAD83

EFF 2 JUL 09

CHANGE: LWIS

# AERODROME CHART

VICTORIA HARBOUR (CAMEL POINT)  
VICTORIA BC



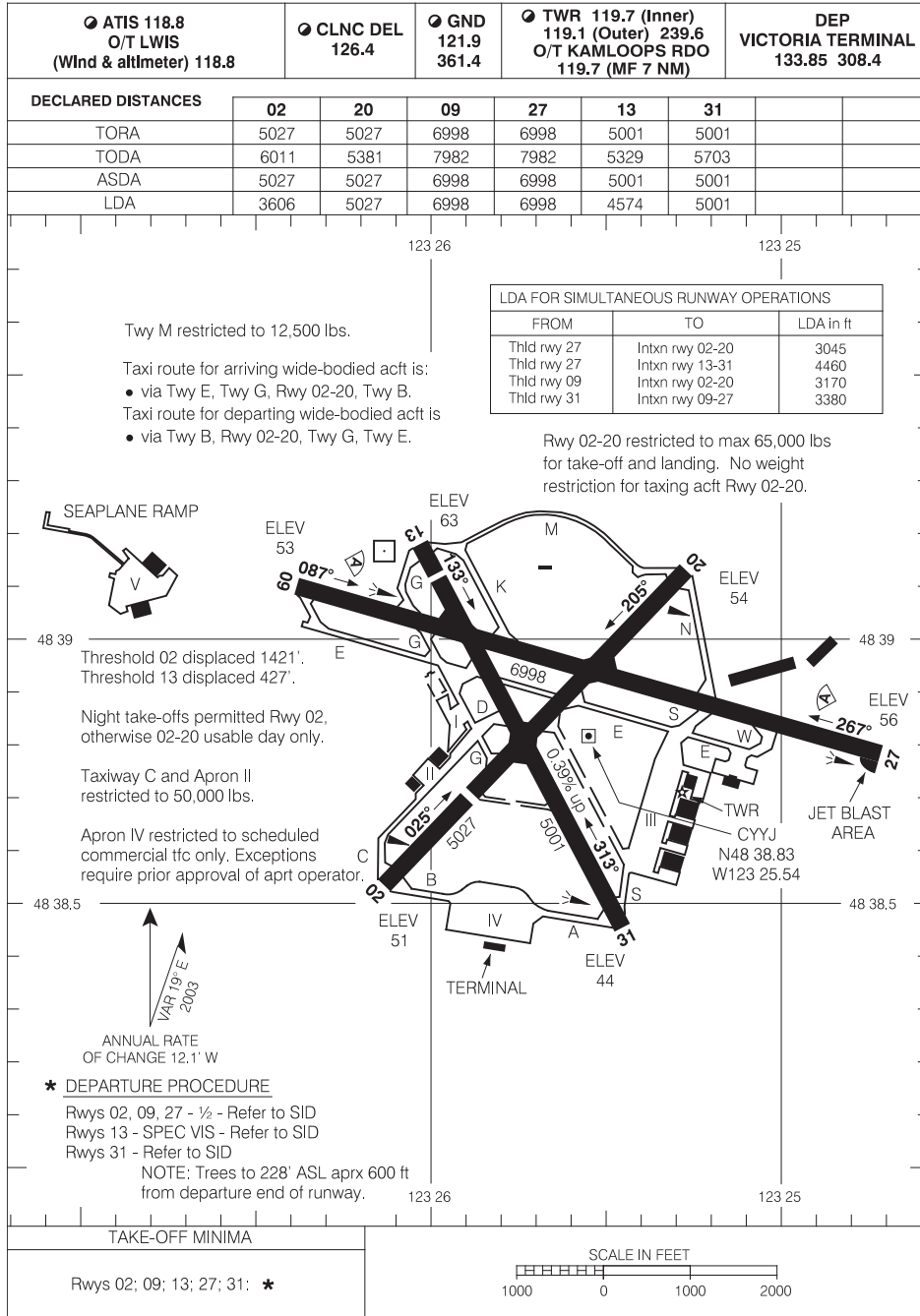
# AERODROME CHART

VICTORIA BC  
VICTORIA HARBOUR (CAMEL POINT)  
NAD83

EFF 2 JUL 09 CHANGE: New A/D chart

# AERODROME CHART

VICTORIA INTL  
VICTORIA BC



Source of Canadian Civil Aeronautical Data : © 2010 NAV CANADA All rights reserved

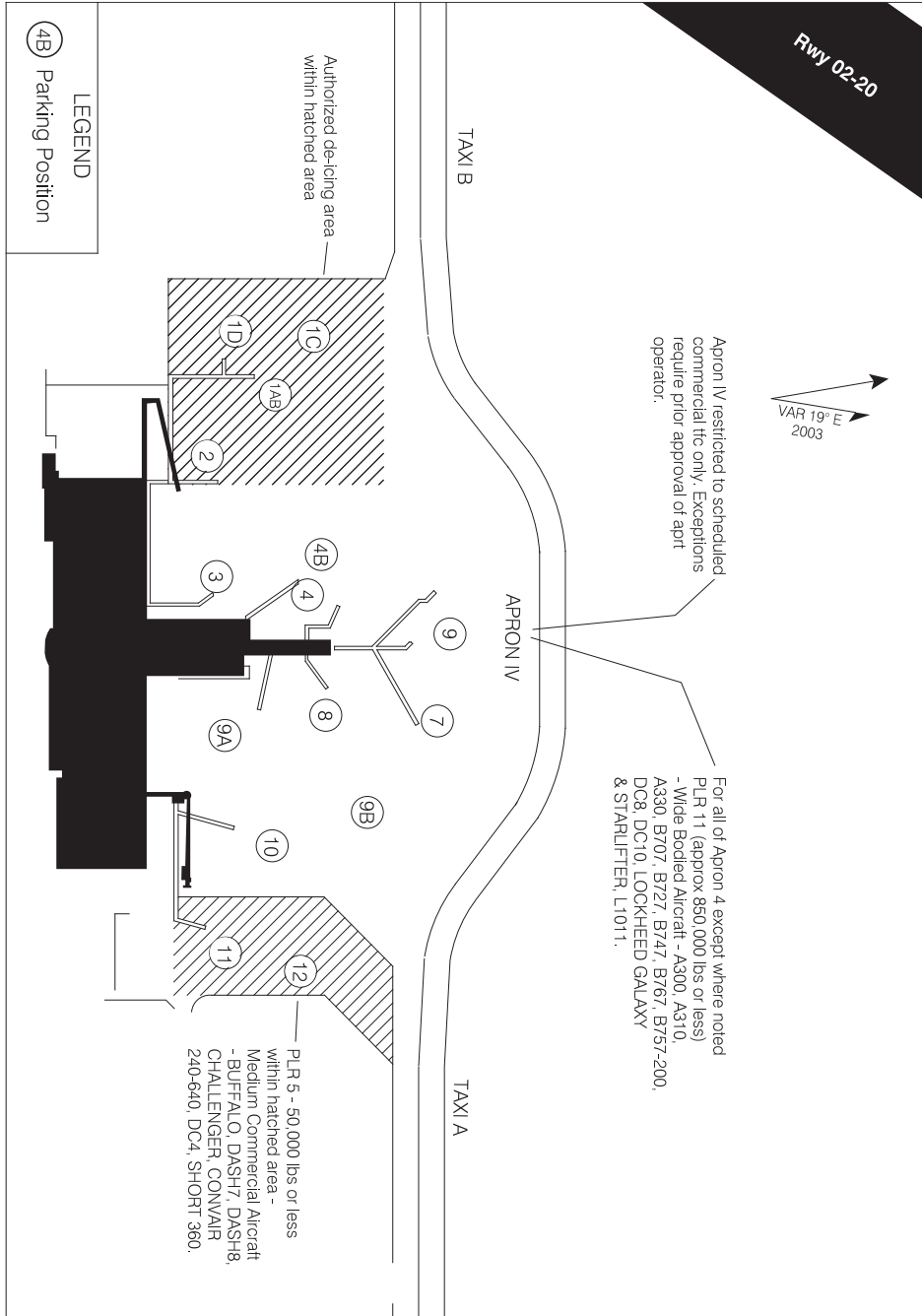
# AERODROME CHART

VICTORIA BC  
VICTORIA INTL  
NAD83

EFF 27 AUG 09 CHANGE: VOT deleted, declared distances



**PARKING AREAS**



Source of Canadian Civil Aeronautical Data : © 2010 NAV CANADA All rights reserved

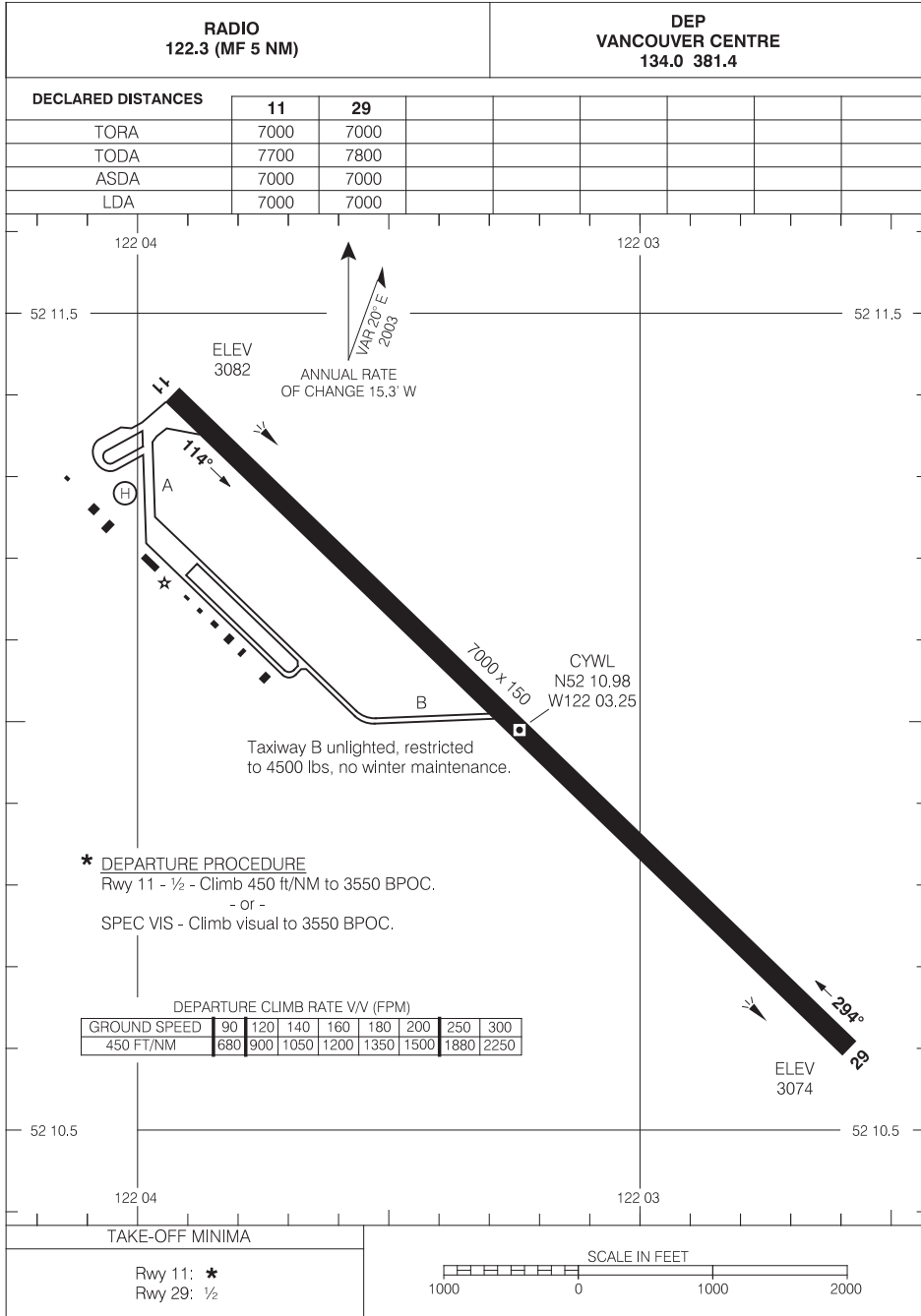
**PARKING AREAS**

EFF 28 SEP 06

CHANGE: Apron IV note added

# AERODROME CHART

WILLIAMS LAKE  
WILLIAMS LAKE BC



Source of Canadian Civil Aeronautical Data : © 2010 NAV CANADA All rights reserved

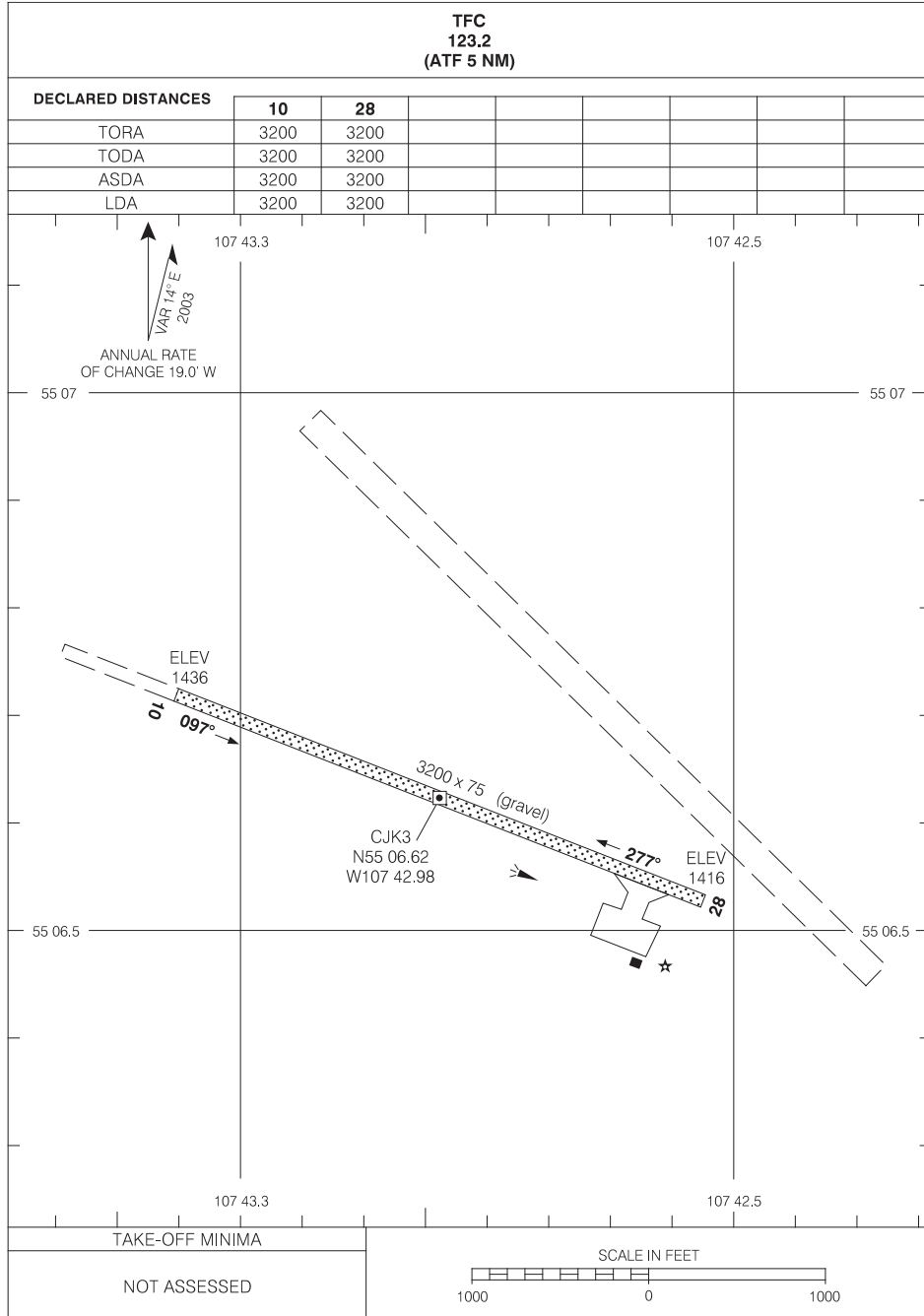
# AERODROME CHART

WILLIAMS LAKE BC  
WILLIAMS LAKE  
NAD83

EFF 27 AUG 09 CHANGE: VOT deleted

# AERODROME CHART

BEAUVAL  
BEAUVAL SK



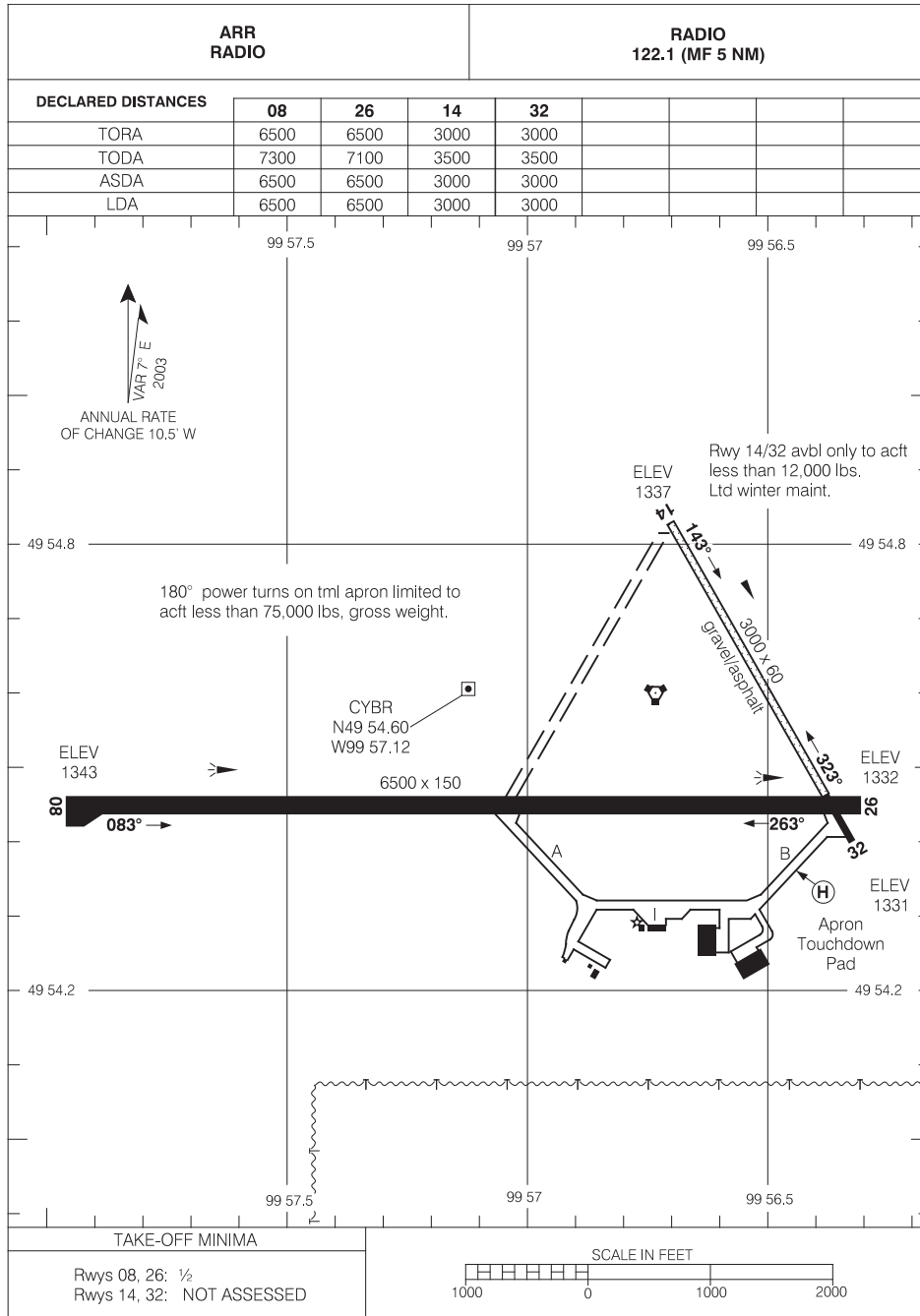
# AERODROME CHART

BEAUVAL SK  
BEAUVAL  
NAD83

EFF 13 APR 06 CHANGE: Declared distances; thld elevations

# AERODROME CHART

BRANDON MUNI  
BRANDON MB



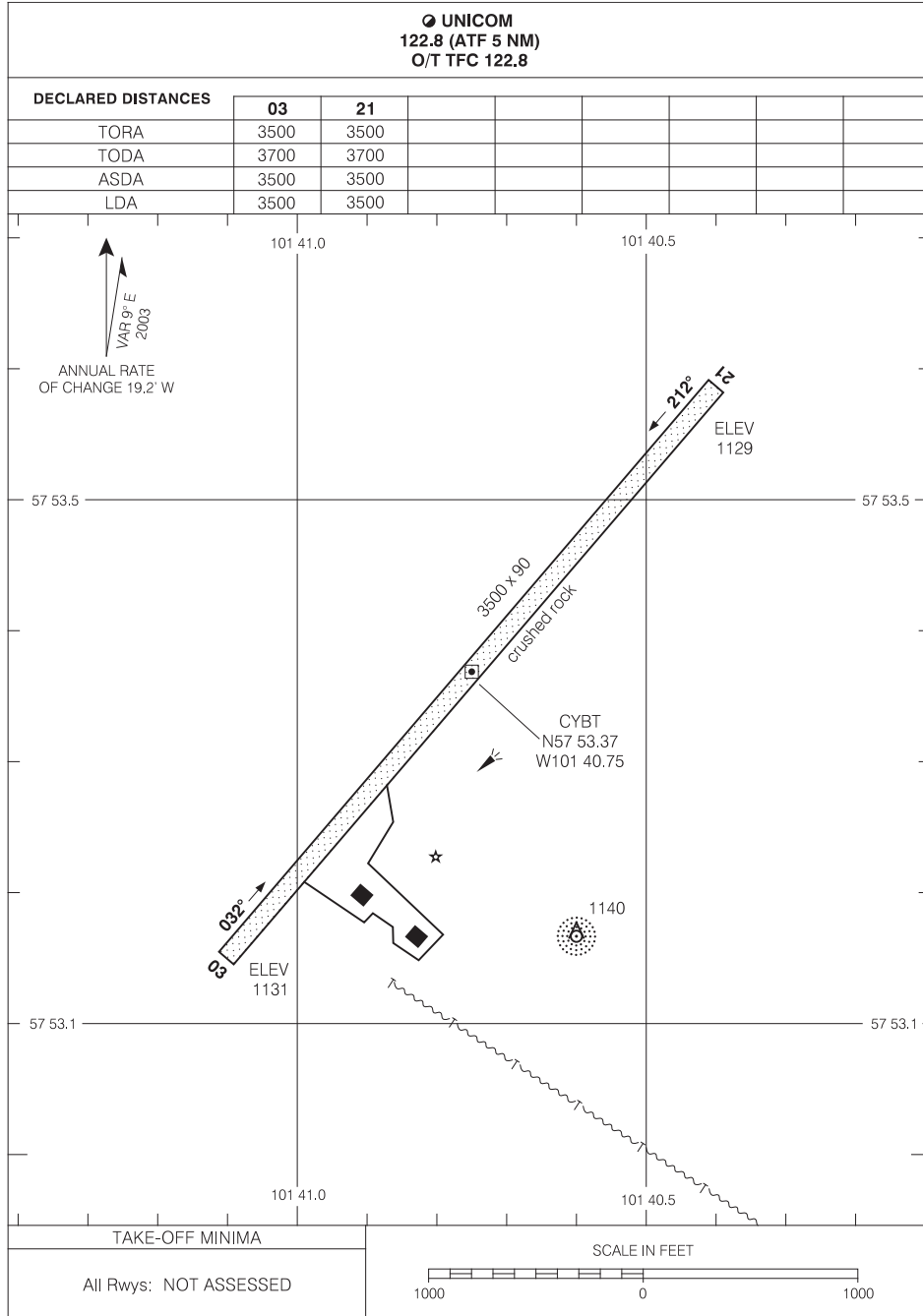
# AERODROME CHART

BRANDON MB  
BRANDON MUNI  
NAD83

EFF 27 AUG 09 CHANGE: COMM

# AERODROME CHART

BROCHET  
BROCHET MB



Source of Canadian Civil Aeronautical Data : © 2010 NAV CANADA All rights reserved

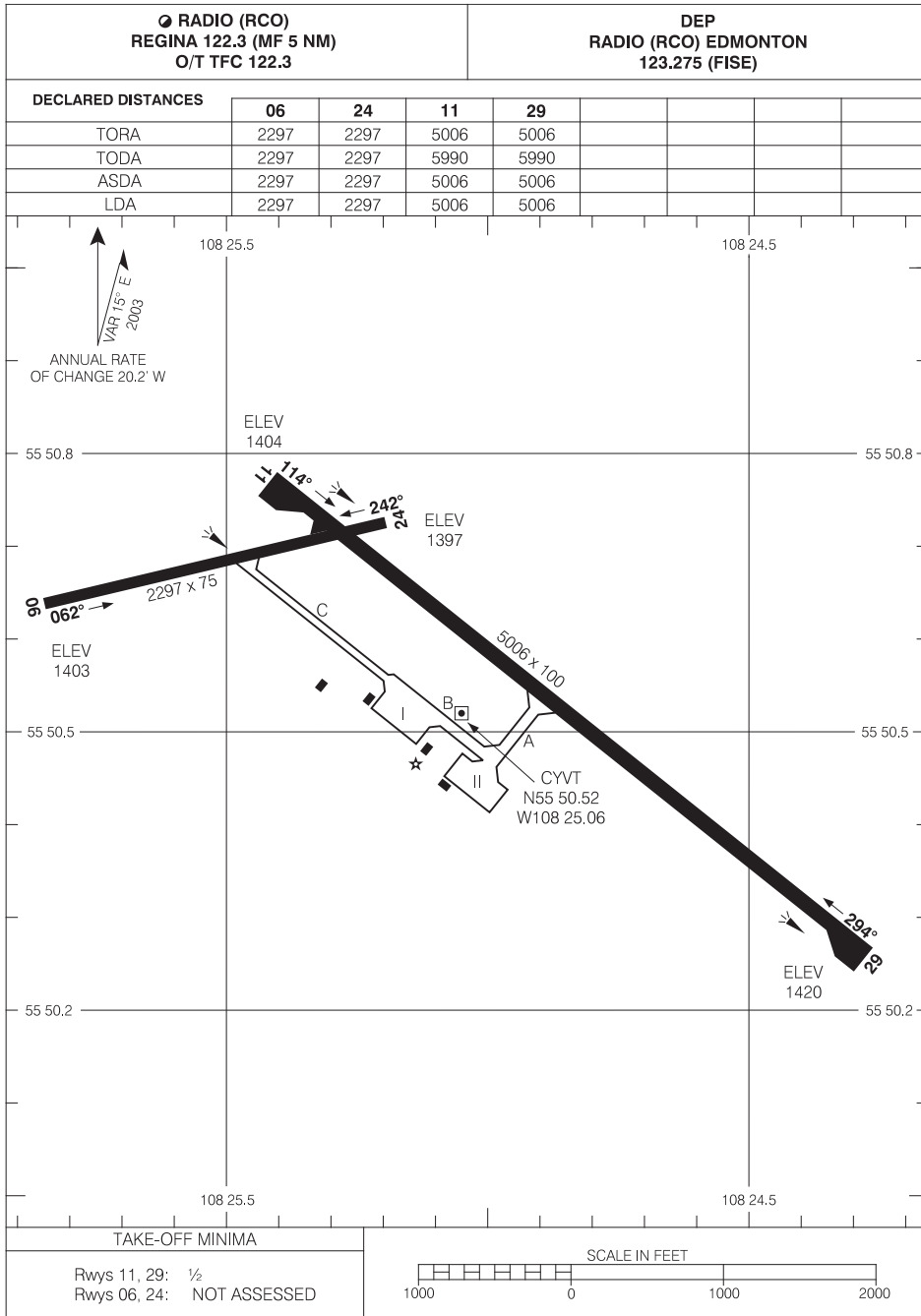
# AERODROME CHART

BROCHET MB  
BROCHET  
NAD83

EFF 25 SEP 08 CHANGE: Runway Bearing, Thresholds Elevation

# AERODROME CHART

BUFFALO NARROWS  
BUFFALO NARROWS SK



# AERODROME CHART

BUFFALO NARROWS SK  
BUFFALO NARROWS  
NAD83

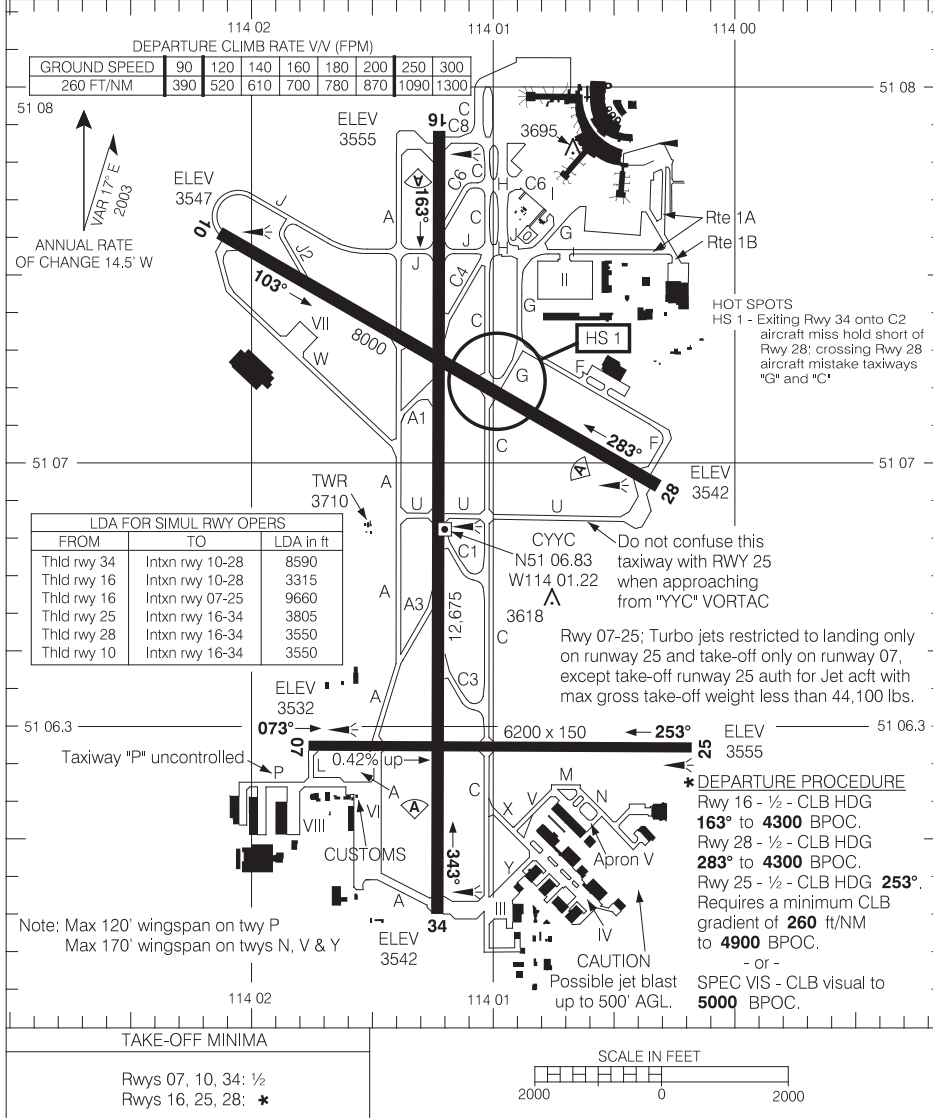
EFF 22 OCT 09 CHANGE: Revised

# AERODROME CHART

CALGARY INTL  
CALGARY AB

<b>ATIS</b> 127.2	<b>CLNC DEL</b> 121.3	<b>GND</b> 121.9 125.35 275.8	<b>TWR</b> 118.4 236.6	<b>DEP</b> 119.8 124.525 255.1
----------------------	--------------------------	-------------------------------------	------------------------------	--------------------------------------

DECLARED DISTANCES	07	25	10	28	16	34
TORA	6200	6200	8000	8000	12,675	12,675
TODA	6500	7200	8900	9000	13,665	13,675
ASDA	6200	6200	8000	8000	12,675	12,675
LDA	6200	6200	8000	8000	12,675	12,675



Source of Canadian Civil Aeronautical Data : © 2010 NAV CANADA All rights reserved

# AERODROME CHART

CALGARY AB  
CALGARY INTL  
NAD83

EFF 11 FEB 10

CHANGE: Comm, editorial, twy

AERODROME CHART (HIRO)

CALGARY INTL  
CALGARY AB

LDA For High Intensity Runway Operations			
From threshold runway:	To exit point	LDA in ft	Preferred Exit for Medium/Heavy Jet Transports
10	A	3373	F/U
	C	5000	
	G	5165	
	F/U	8000	
16	A1	3976	C1 A3 C3
	C2	5840	
	C1	6415	
	A3	7489	
	C3	8516	
28	C/A	12,675	
	C	3200	J2 J
	A	4853	
	J2	6606	
W/J	8000		
34	C3	4154	C2 C4
	A3	5181	
	C1	6255	
	C2	6830	
	A1	8684	
	C4	9369	
	C6	10,984	
	A/C8	12,675	

Pilots may plan their arrivals using the above table of threshold-to-exit-point distances. The distances are measured from the landing threshold to the point of the intersection of the runway centreline and the extended exit taxiway centreline.

During HIRO operations, the Control Tower may nominate the runway exit. Compliance with ATC nomination of runway exit is at pilot's discretion and should be acknowledged. REMARK: For detailed information on High Intensity Runway Operations, pilots may refer to AIP RAC 4.4.10

Source of Canadian Civil Aeronautical Data : © 2010 NAV CANADA All rights reserved

AERODROME CHART (HIRO)

CALGARY AB  
CALGARY INTL

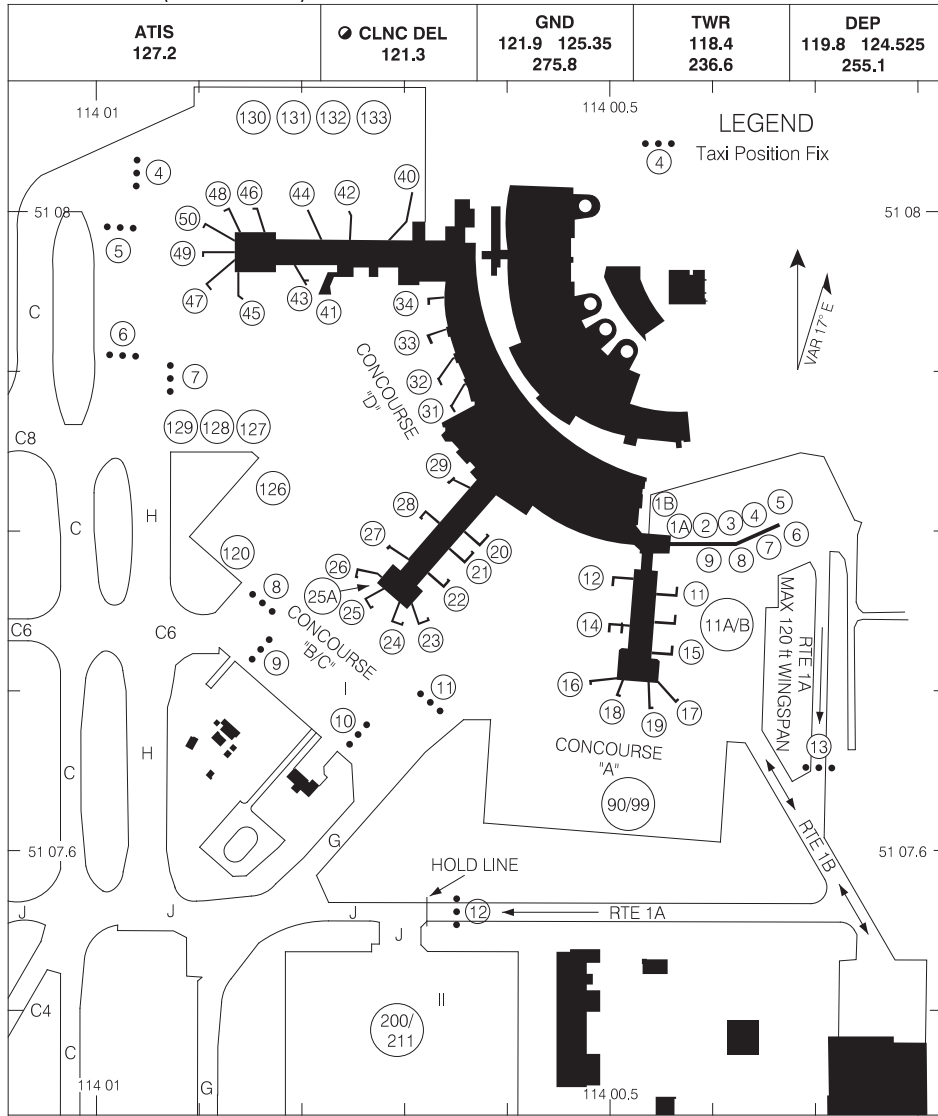
EFF 8 JUN 06

CHANGE: Editorial



# TAXI CHART (GATES 1 TO 9)

CALGARY INTL  
CALGARY AB



Source of Canadian Civil Aeronautical Data : © 2010 NAV CANADA All rights reserved

Apron 1 Exit Routing Procedure  
(see chart below)

Route Ident	Routing
RTE 1A	Available for acft utilizing Gates 1-9 as directed by ATC. RTE 1A is <b>one-way only</b> for acft exiting Apron I proceeding to Twy J. That portion of RTE 1A north of RTE 1B is restricted to Code C acft or acft with a maximum of 120 ft wingspan. <b>Caution:</b> 1. Converging traffic with RTE 1B. 2. Cargo vehicles may be crossing route.
RTE 1B	RTE 1B connects to RTE 1A for traffic exiting Apron I proceeding to TWY J. <b>Caution:</b> 1. Converging traffic with RTE 1A.

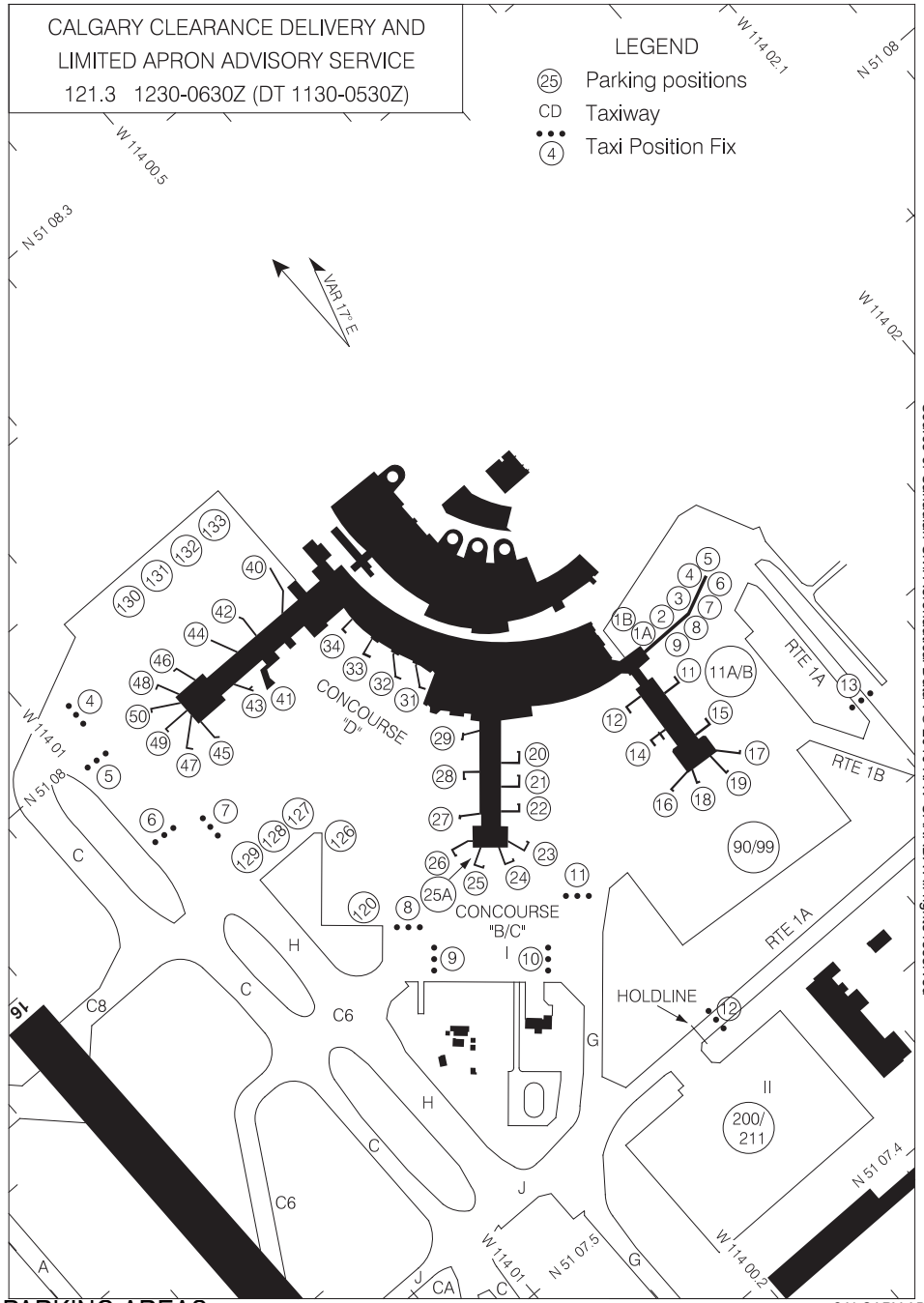
# TAXI CHART (GATES 1 TO 9)

CALGARY AB  
CALGARY INTL  
NAD83

EFF 11 FEB 10 CHANGE: Taxi position fix, comm

# PARKING AREAS

CALGARY INTL  
CALGARY AB



Source of Canadian Civil Aeronautical Data : © 2010 NAV CANADA All rights reserved

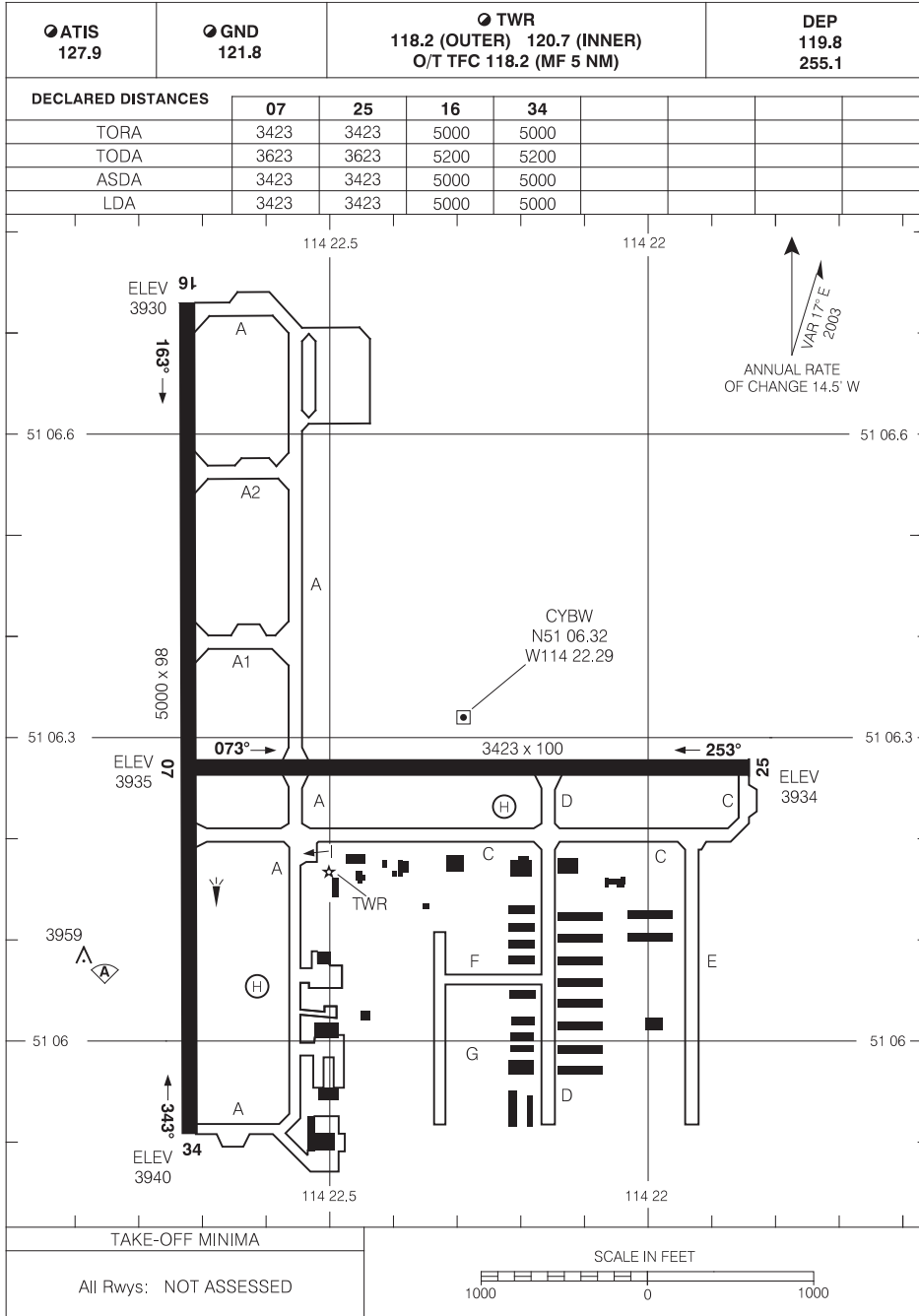
# PARKING AREAS

CALGARY AB  
CALGARY INTL  
NAD83

EFF 11 FEB 10 CHANGE: Added taxi position fix 13

# AERODROME CHART

CALGARY/SPRINGBANK  
CALGARY AB



# AERODROME CHART

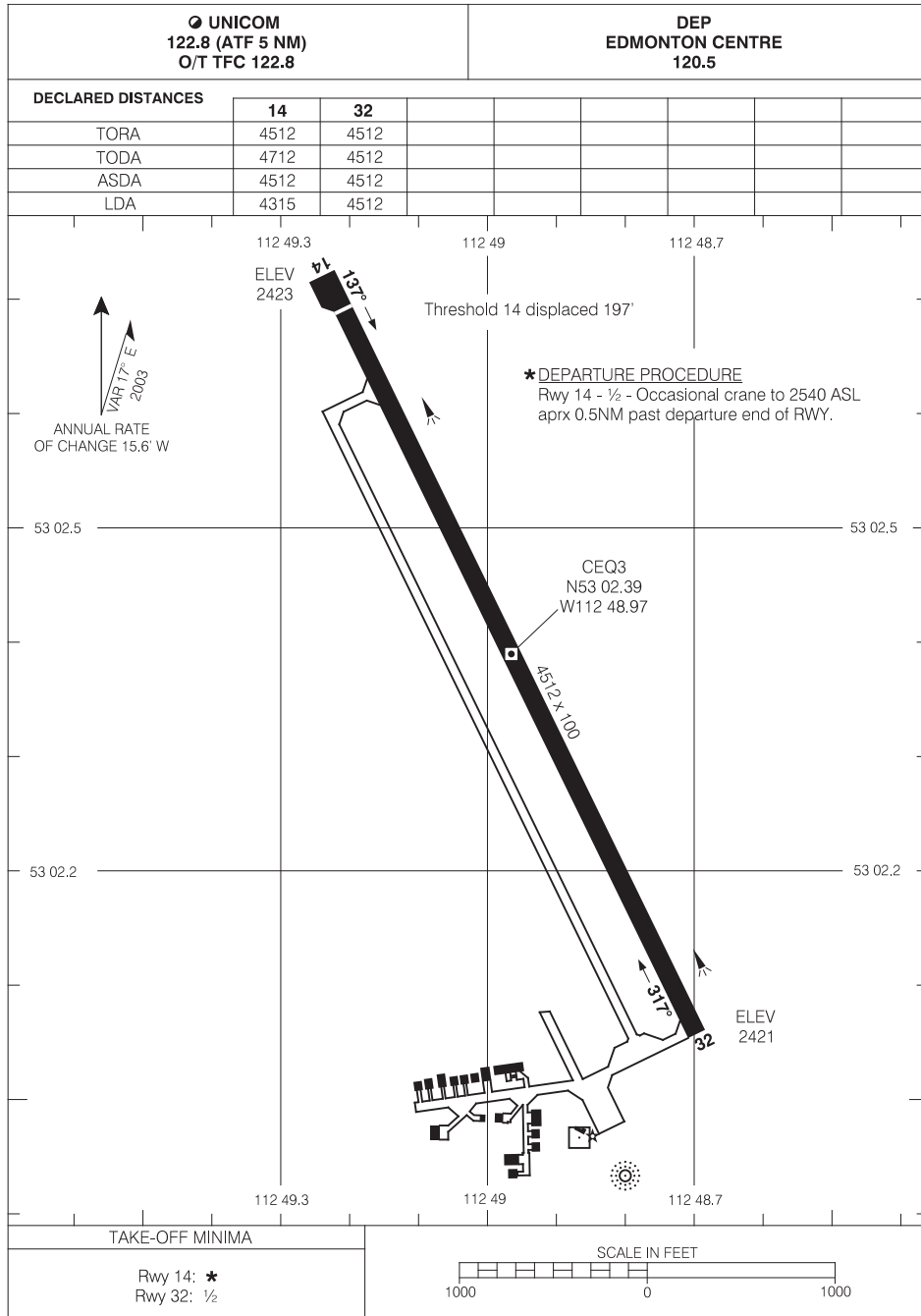
CALGARY AB  
CALGARY/SPRINGBANK  
NAD83

EFF 27 AUG 09

CHANGE: Helipads added

# AERODROME CHART

CAMROSE  
CAMROSE AB



Source of Canadian Civil Aeronautical Data : © 2010 NAV CANADA All rights reserved

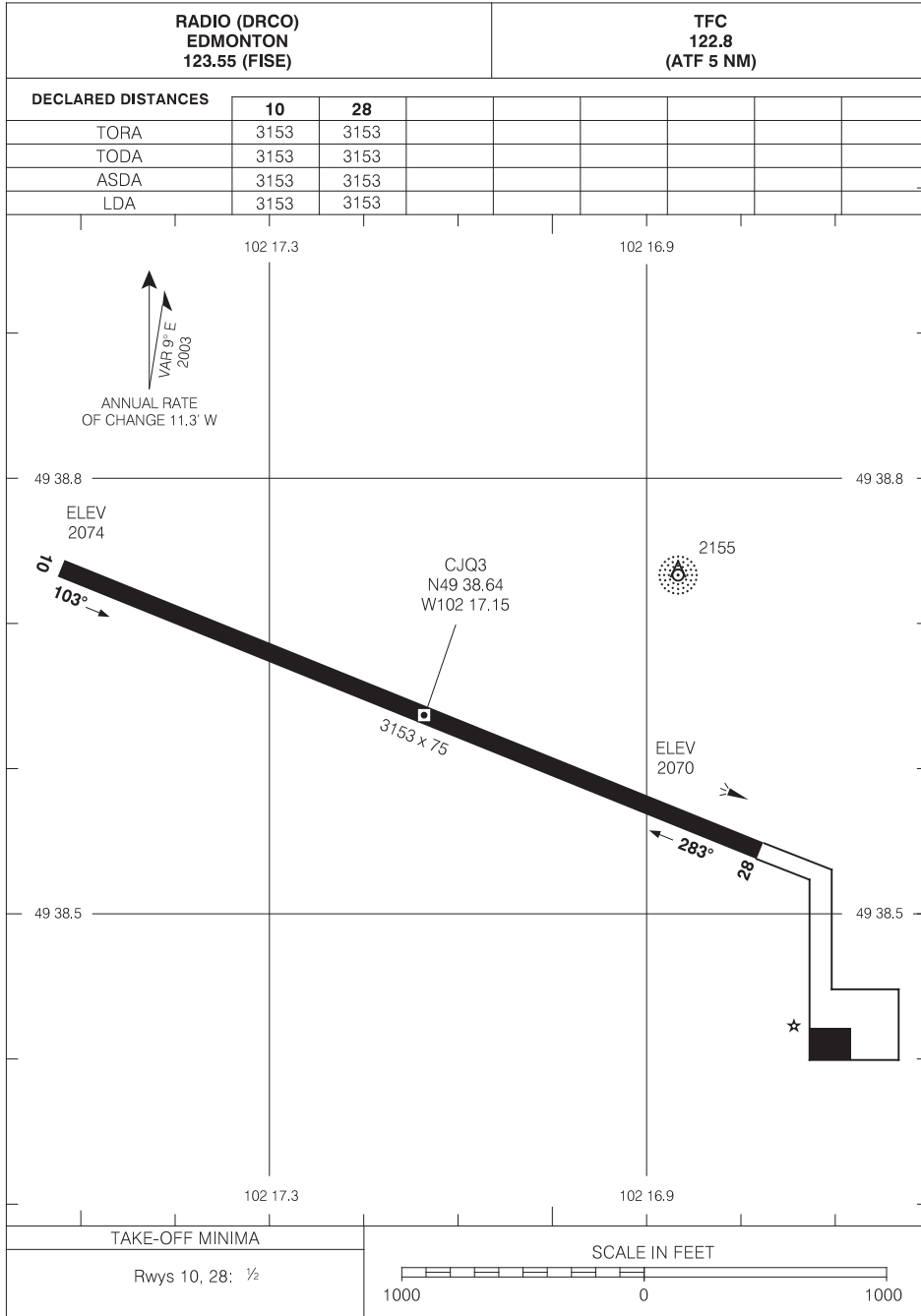
# AERODROME CHART

CAMROSE AB  
CAMROSE  
NAD83

EFF 2 JUL 09 CHANGE: Revised

# AERODROME CHART

CARLYLE  
CARLYLE SK



Source of Canadian Civil Aeronautical Data : © 2010 NAV CANADA All rights reserved

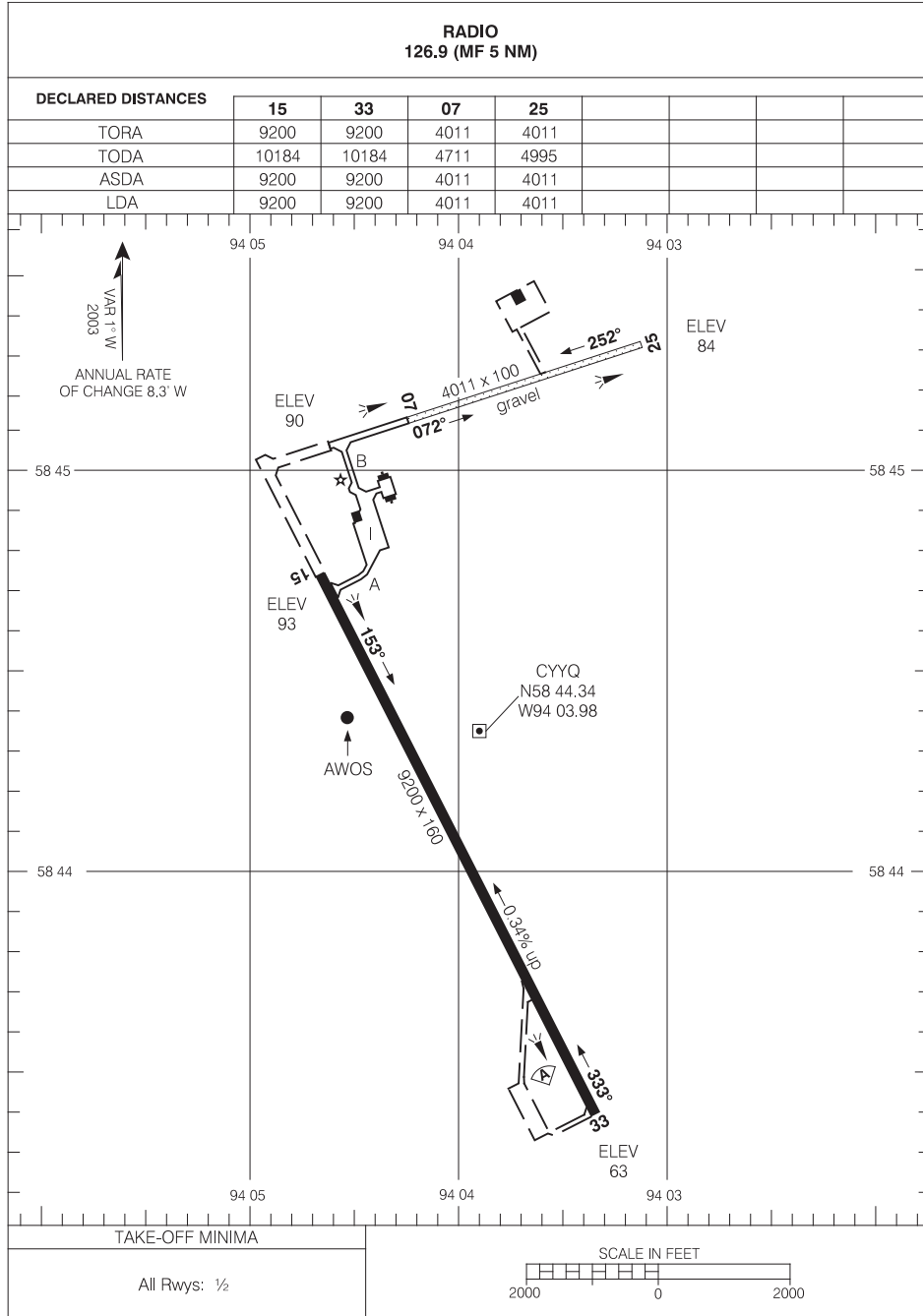
# AERODROME CHART

CARLYLE SK  
CARLYLE  
NAD83

EFF 15 JAN 09 CHANGE: Windsock location

# AERODROME CHART

CHURCHILL  
CHURCHILL MB



# AERODROME CHART

CHURCHILL MB  
CHURCHILL  
NAD83

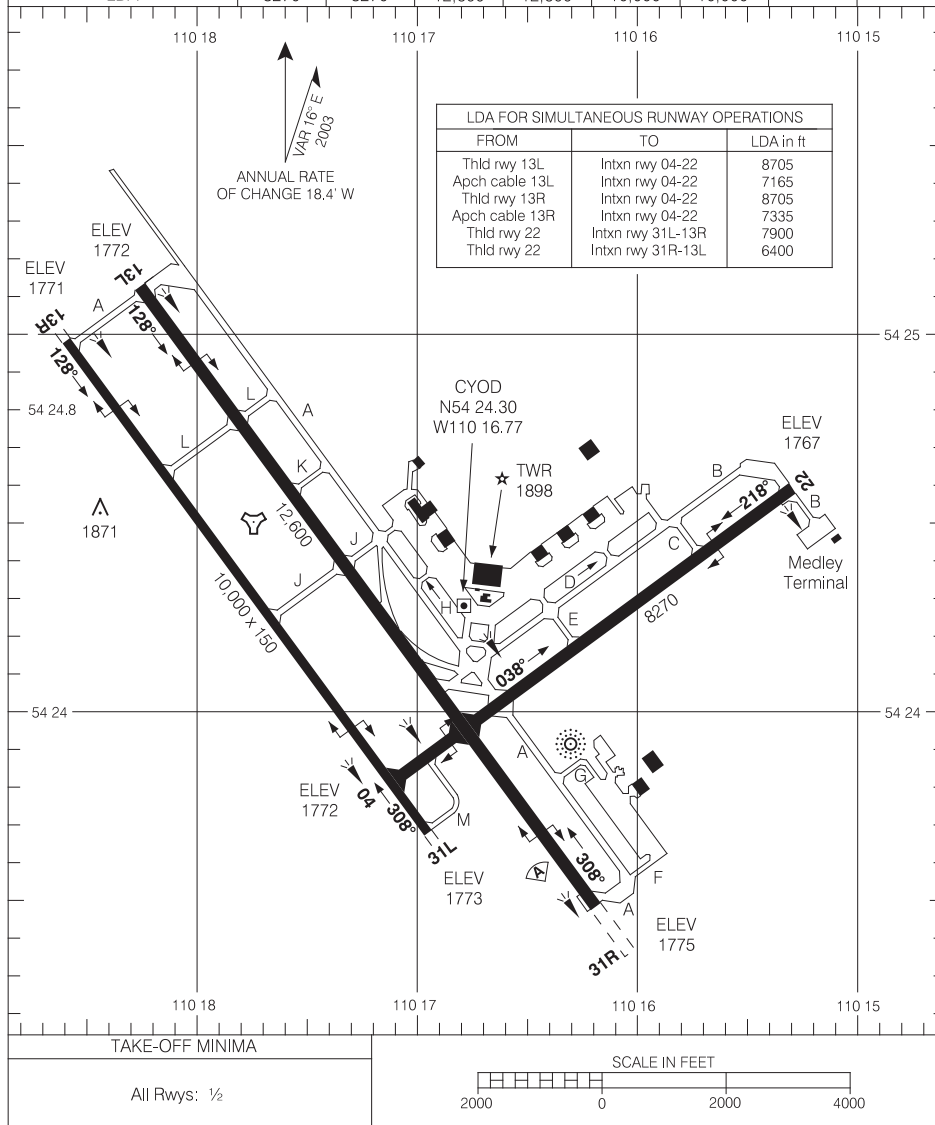
EFF 17 DEC 09 CHANGE: Declared distances, rwy length, elev

# AERODROME CHART (DND)

COLD LAKE/GROUP CAPTAIN R.W. McNAIR  
COLD LAKE AB

<b>ATIS</b> 260.0	<b>CLNC DEL</b> 120.6 230.6	<b>GND</b> 121.9 275.8	<b>TWR</b> 126.2 226.5	<b>DEP</b> 124.5 322.8
----------------------	-----------------------------------	------------------------------	------------------------------	------------------------------

DECLARED DISTANCES						
	04	22	13L	31R	13R	31L
TORA	8270	8270	12,600	12,600	10,000	10,000
TODA	9250	9045	13,580	13,580	10,980	10,980
ASDA	8270	8270	12,600	12,600	10,000	10,000
LDA	8270	8270	12,600	12,600	10,000	10,000



Source of Canadian Civil Aeronautical Data : © 2010 NAV CANADA All rights reserved

# AERODROME CHART (DND)

COLD LAKE AB  
COLD LAKE/GROUP CAPTAIN R.W. McNAIR  
NAD83

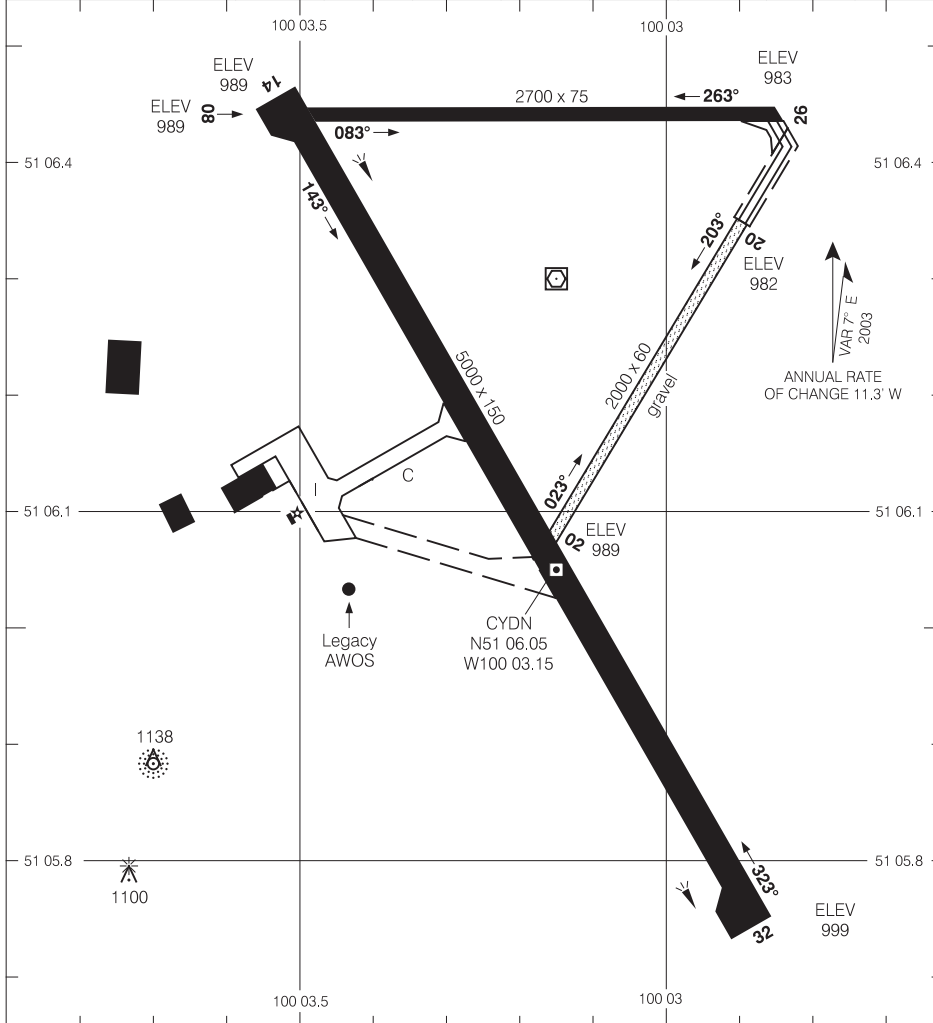
EFF 10 APR 08 CHANGE: Revised

DAUPHIN (LT. COL W.G.(BILLY) BARKER, VC APRT)  
DAUPHIN MB

AERODROME CHART

Legacy AWOS 128.6	RADIO (RCO) BRANDON 122.3 297.0 (MF 5 NM) O/T TFC 122.3 297.0	DEP RADIO (RCO) WINNIPEG 123.375 (FISE)
-------------------------	---	---

DECLARED DISTANCES	08	26	14	32	02	20
TORA	2700	2700	5000	5000	2000	2000
TODA	3700	3520	6000	6000	2000	2000
ASDA	2700	2700	5000	5000	2000	2000
LDA	2700	2700	5000	5000	2000	2000



Source of Canadian Civil Aeronautical Data : © 2010 NAV CANADA All rights reserved

TAKE-OFF MINIMA	SCALE IN FEET
NOT ASSESSED	1000 500 0 1000

AERODROME CHART

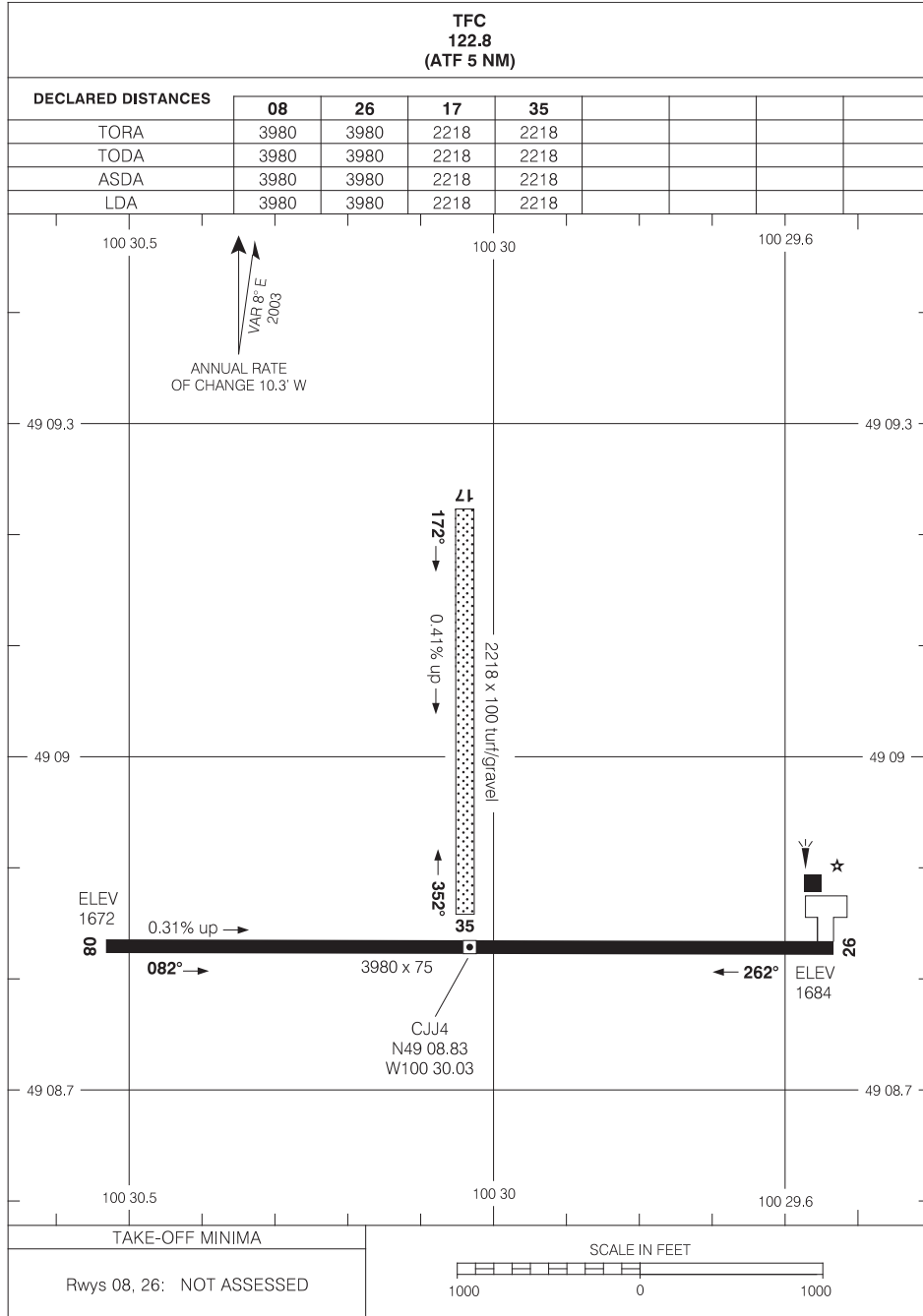
DAUPHIN MB  
DAUPHIN (LT. COL W.G.(BILLY) BARKER, VC APRT)  
NAD83

EFF 20 NOV 08 CHANGE: AWOS



# AERODROME CHART

DELORAINE  
DELORAINE MB



Source of Canadian Civil Aeronautical Data : © 2010 NAV CANADA All rights reserved

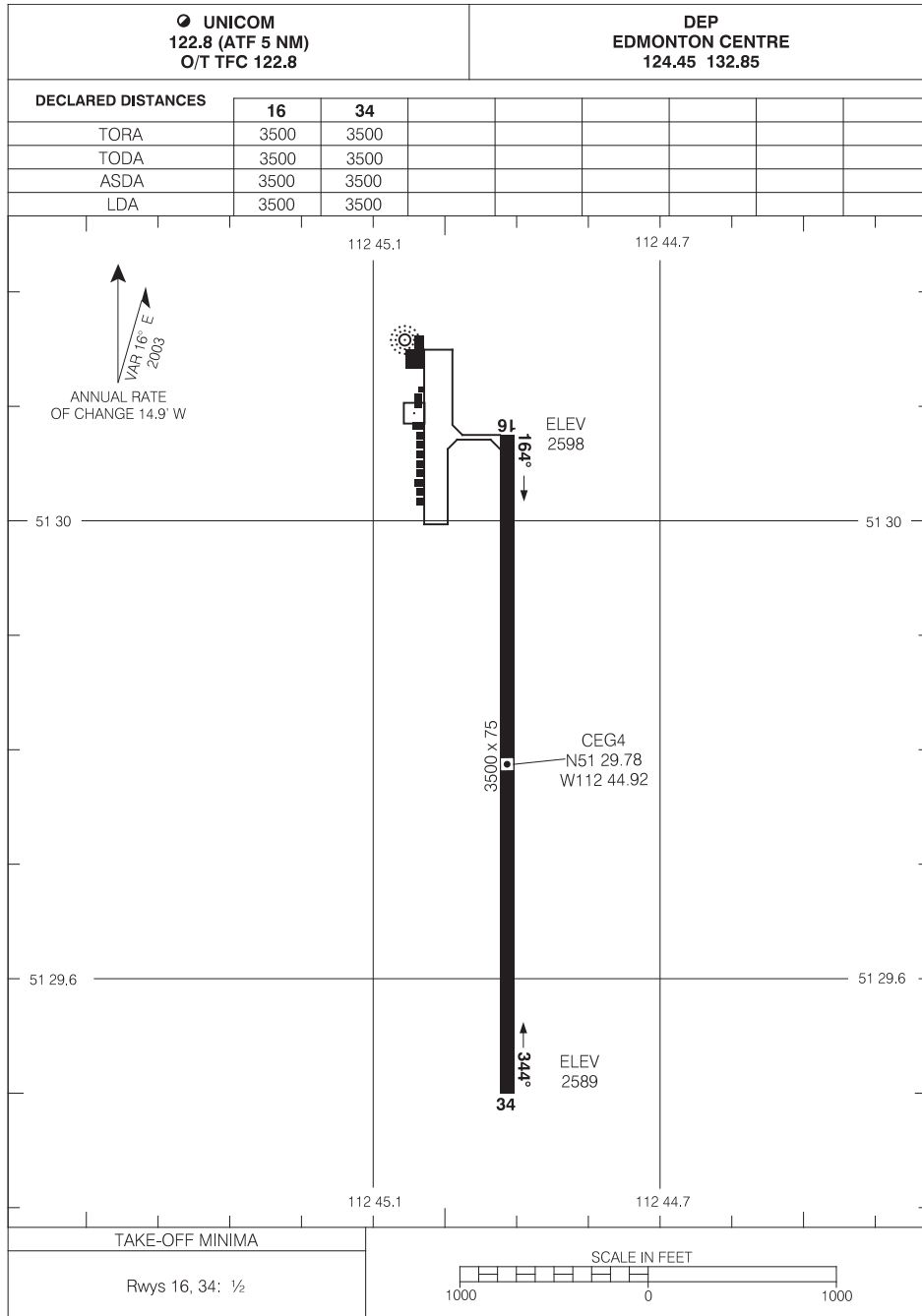
# AERODROME CHART

DELORAINE MB  
DELORAINE  
NAD83

EFF 13 APR 06      CHANGE: Declared distances

# AERODROME CHART

DRUMHELLER MUNI  
DRUMHELLER AB



Source of Canadian Civil Aeronautical Data : © 2010 NAV CANADA All rights reserved

# AERODROME CHART

DRUMHELLER AB  
DRUMHELLER MUNI  
NAD83

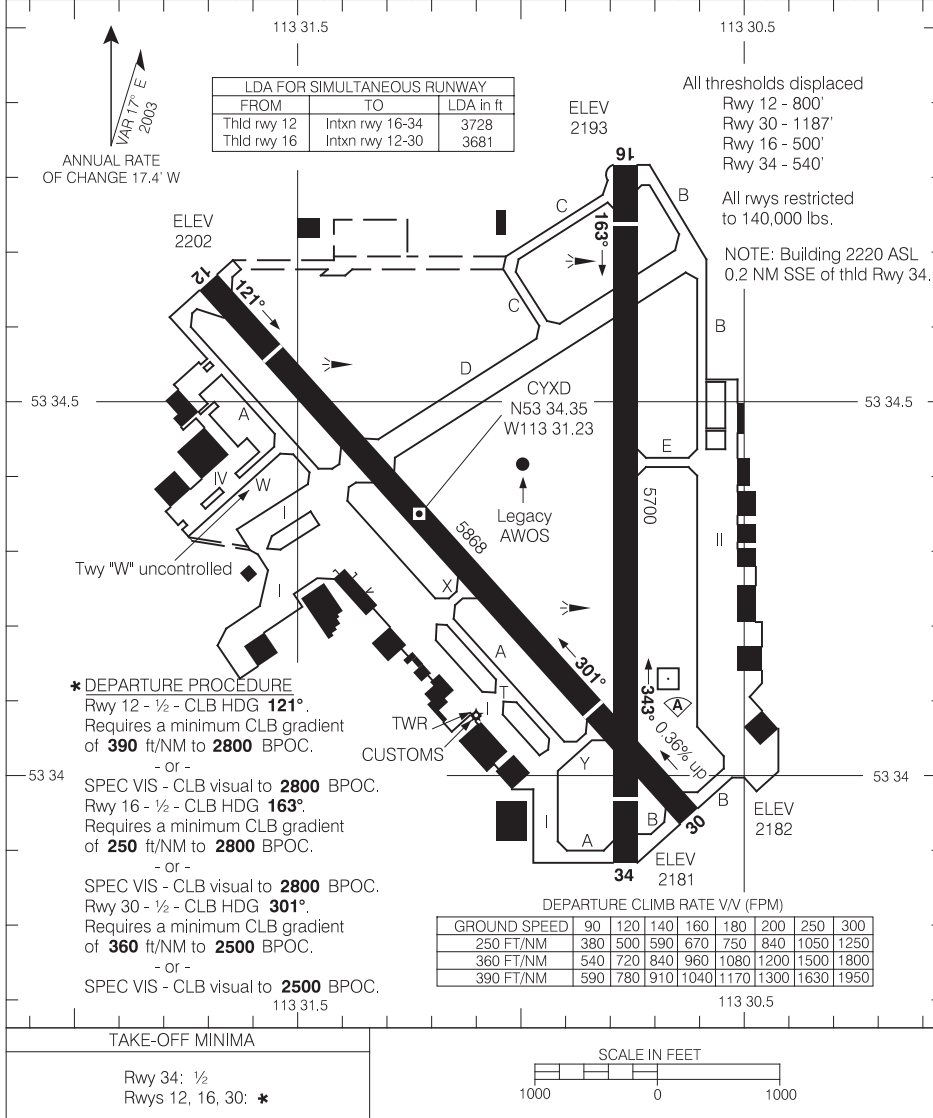
EFF 31 JUL 08 CHANGE: DEP comm box

EDMONTON CITY CENTRE (BLATCHFORD FIELD)  
EDMONTON AB

AERODROME CHART

Legacy AWOS 128.625	ATIS 125.4	CLNC DEL 121.3	GND 121.9	TWR 119.1 O/T RED DEER RDO 119.1 (MF 5 NM)	DEP 119.5
---------------------	------------	----------------	-----------	---	-----------

DECLARED DISTANCES	12	30	16	34
TORA	5868	5868	5700	5700
TODA	5868	6068	6160	6200
ASDA	5868	5868	5700	5700
LDA	5068	4681	5200	5160



AERODROME CHART

EDMONTON AB  
EDMONTON CITY CENTRE (BLATCHFORD FIELD)  
NAD83

EFF 11 FEB 10

CHANGE: Comm

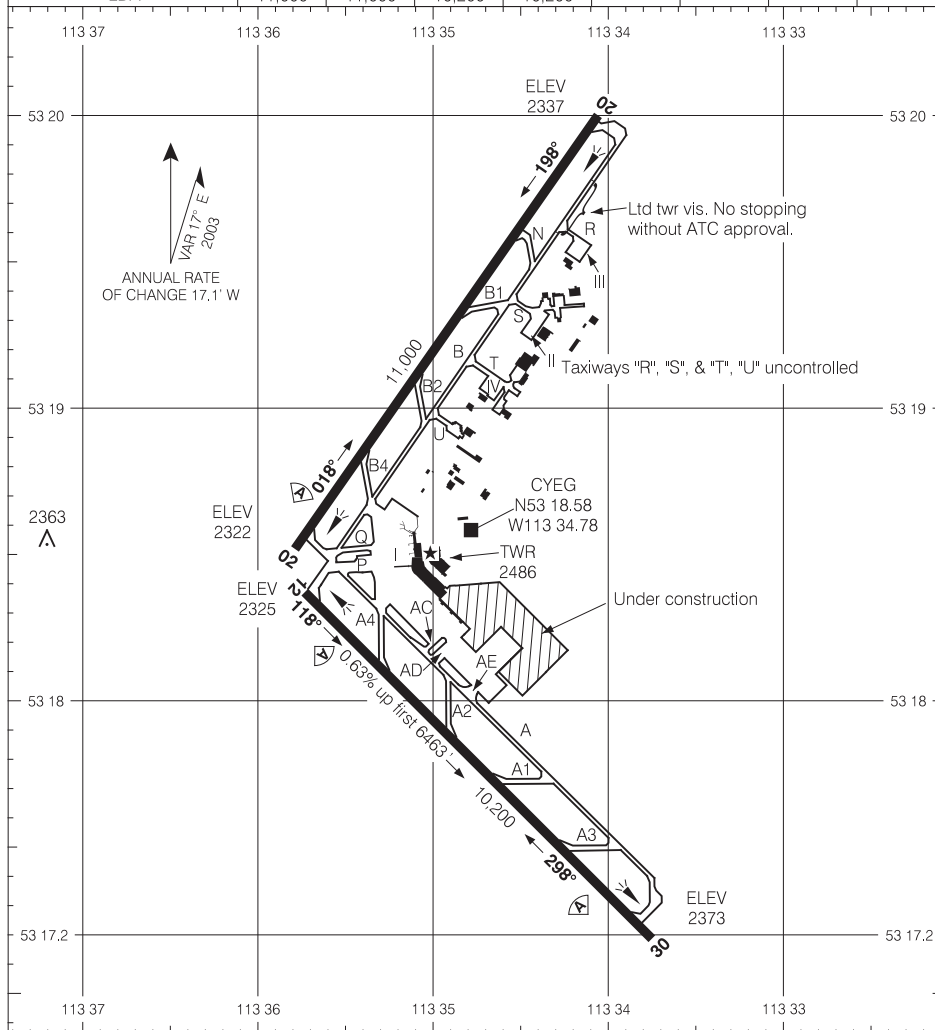
Source of Canadian Civil Aeronautical Data : © 2010 NAV CANADA All rights reserved

# AERODROME CHART

EDMONTON INTL  
EDMONTON AB

<b>ATIS</b> 128.0	<b>CLNC DEL</b> 124.1	<b>GND</b> 121.7 275.6	<b>TWR</b> 118.3 381.2	<b>DEP</b> 133.65 363.8
----------------------	--------------------------	------------------------------	------------------------------	-------------------------------

DECLARED DISTANCES	02	20	12	30
TORA	11,000	11,000	10,200	10,200
TODA	12,000	12,000	11,200	11,200
ASDA	11,000	11,000	10,200	10,200
LDA	11,000	11,000	10,200	10,200



Source of Canadian Civil Aeronautical Data : © 2010 NAV CANADA All rights reserved

TAKE-OFF MINIMA	SCALE IN FEET
All Rwys: 1/2	2000 0 2000 4000 6000

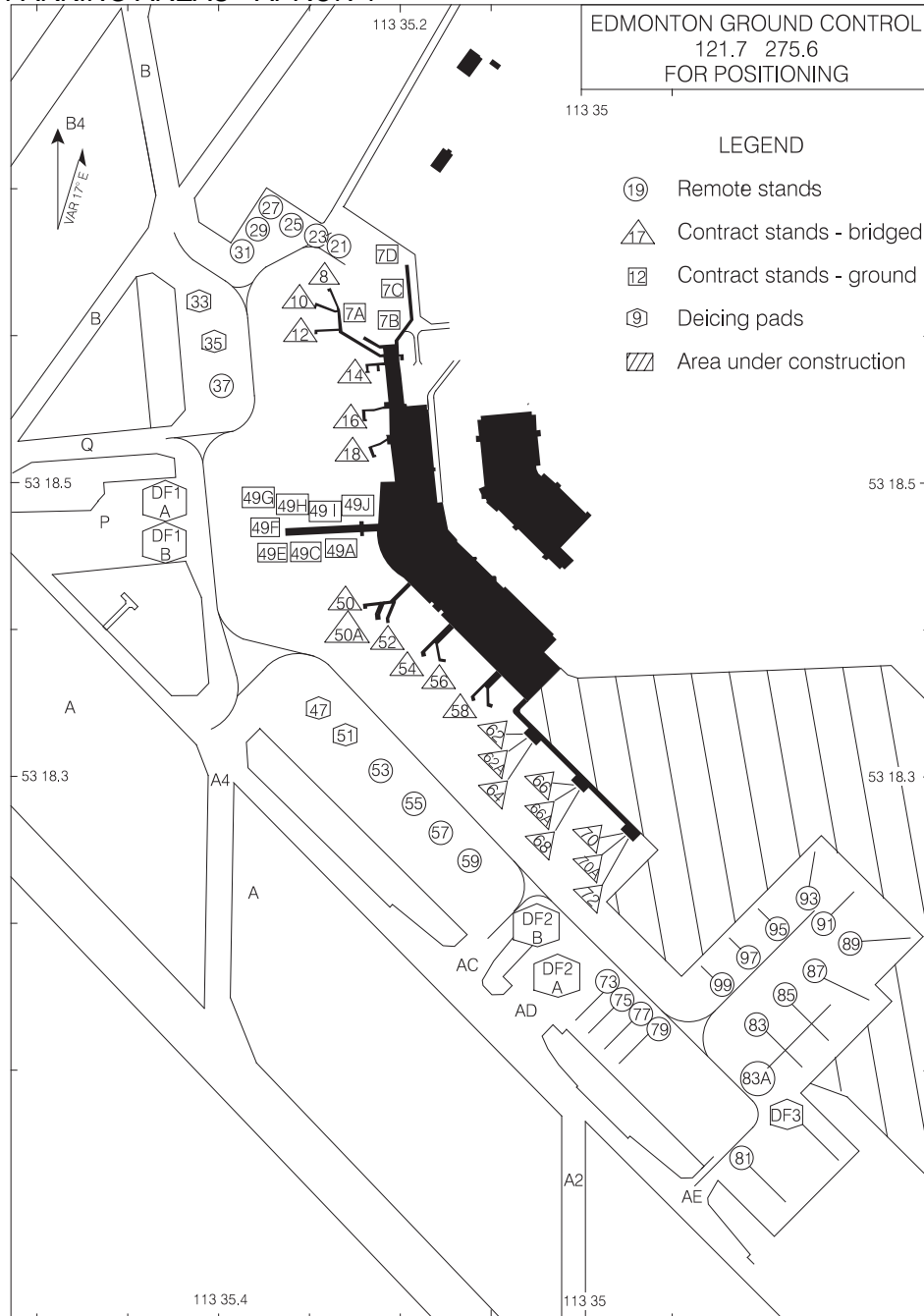
# AERODROME CHART

EDMONTON AB  
EDMONTON INTL  
NAD83

EFF 11 FEB 10 CHANGE: Construction area

# PARKING AREAS - APRON 1

EDMONTON INTL  
EDMONTON AB



Source of Canadian Civil Aeronautical Data : © 2010 NAV CANADA All rights reserved

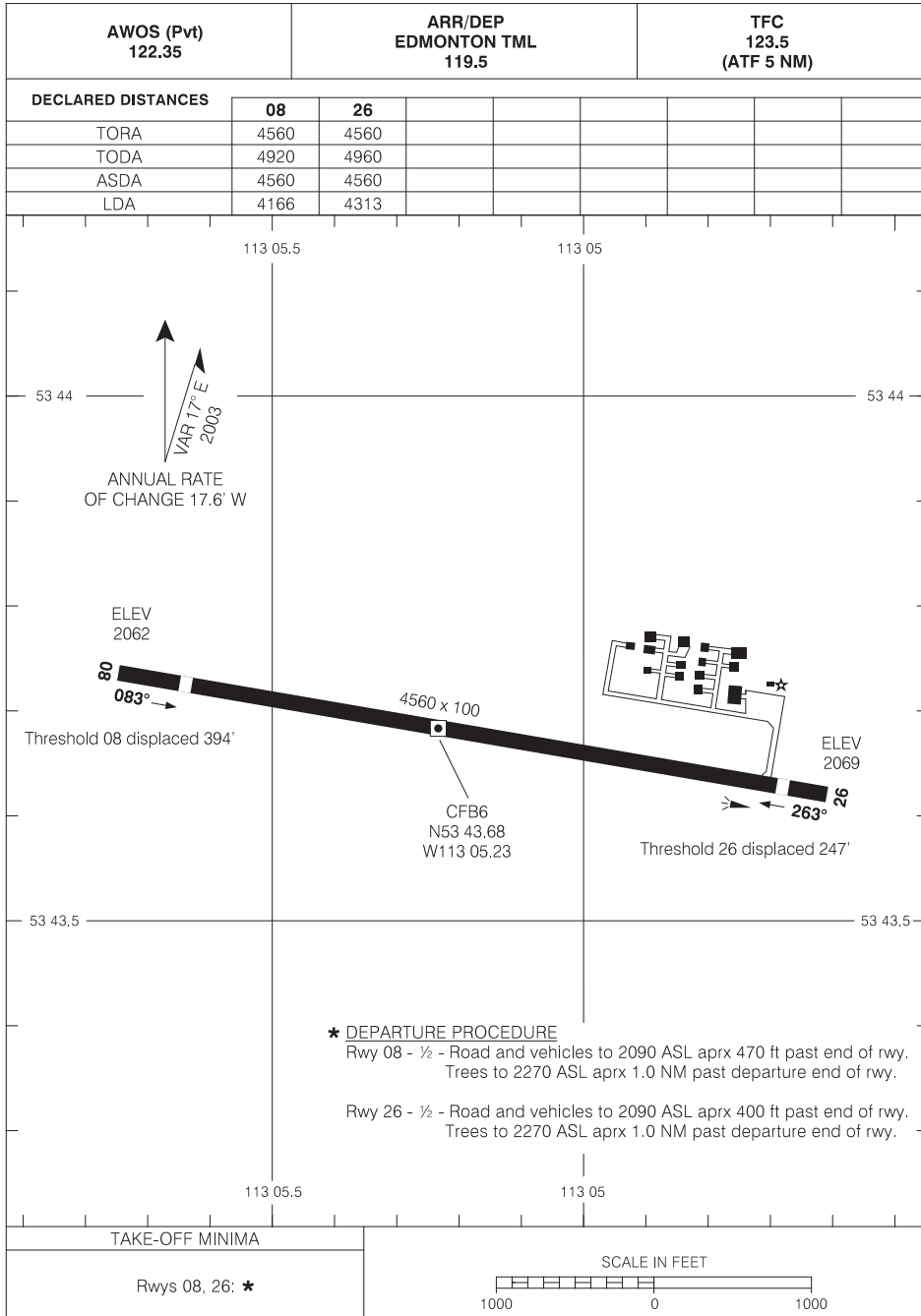
# PARKING AREAS - APRON 1

EDMONTON AB  
EDMONTON INTL  
NAD83

EFF 11 FEB 10 CHANGE: Revised

# AERODROME CHART

EDMONTON/JOSEPHBURG  
EDMONTON AB



Source of Canadian Civil Aeronautical Data : © 2010 NAV CANADA All rights reserved

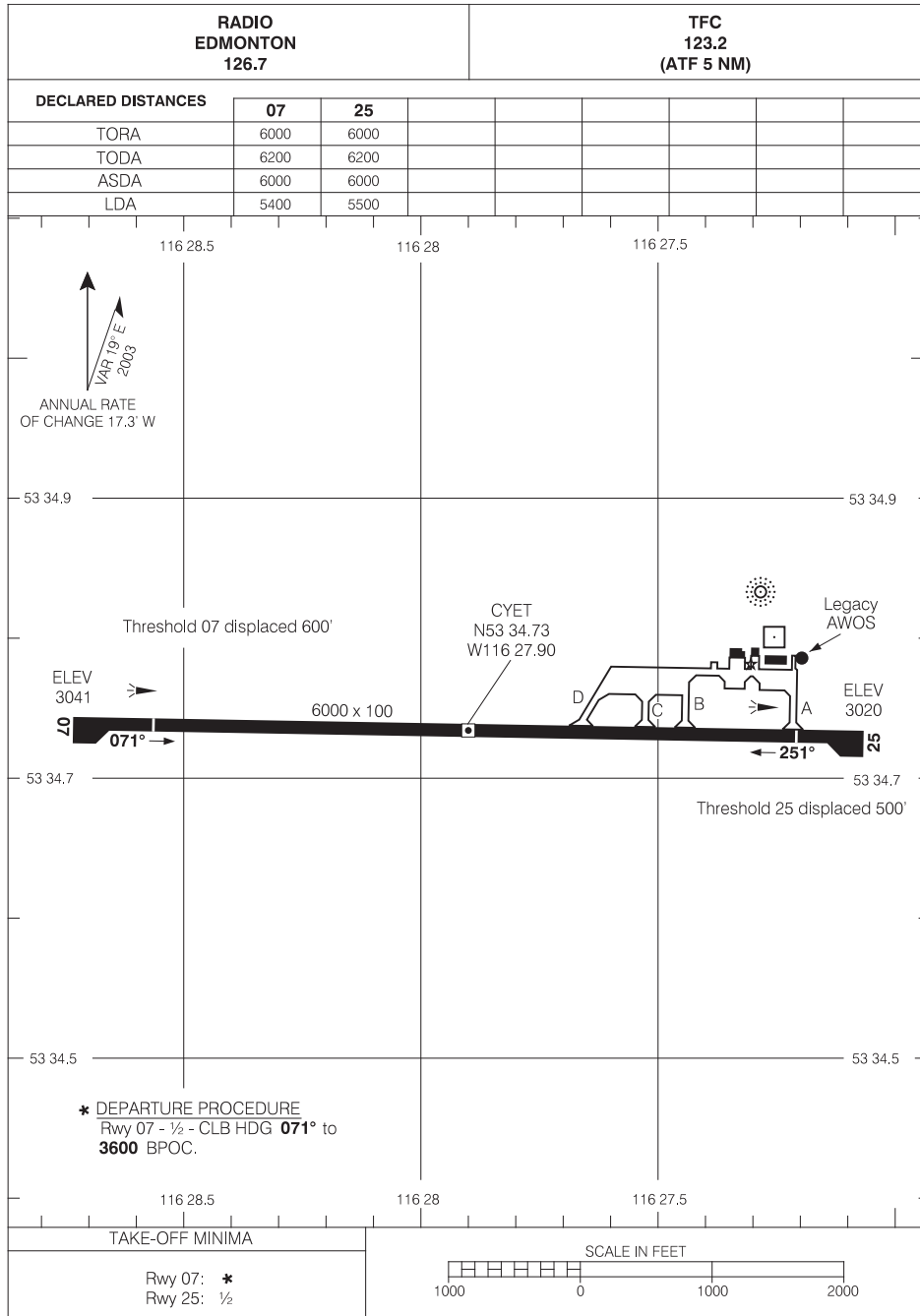
# AERODROME CHART

EDMONTON AB  
EDMONTON/JOSEPHBURG  
NAD83

EFF 17 DEC 09 CHANGE: Comm

# AERODROME CHART

EDSON  
EDSON AB



Source of Canadian Civil Aeronautical Data : © 2010 NAV CANADA All rights reserved

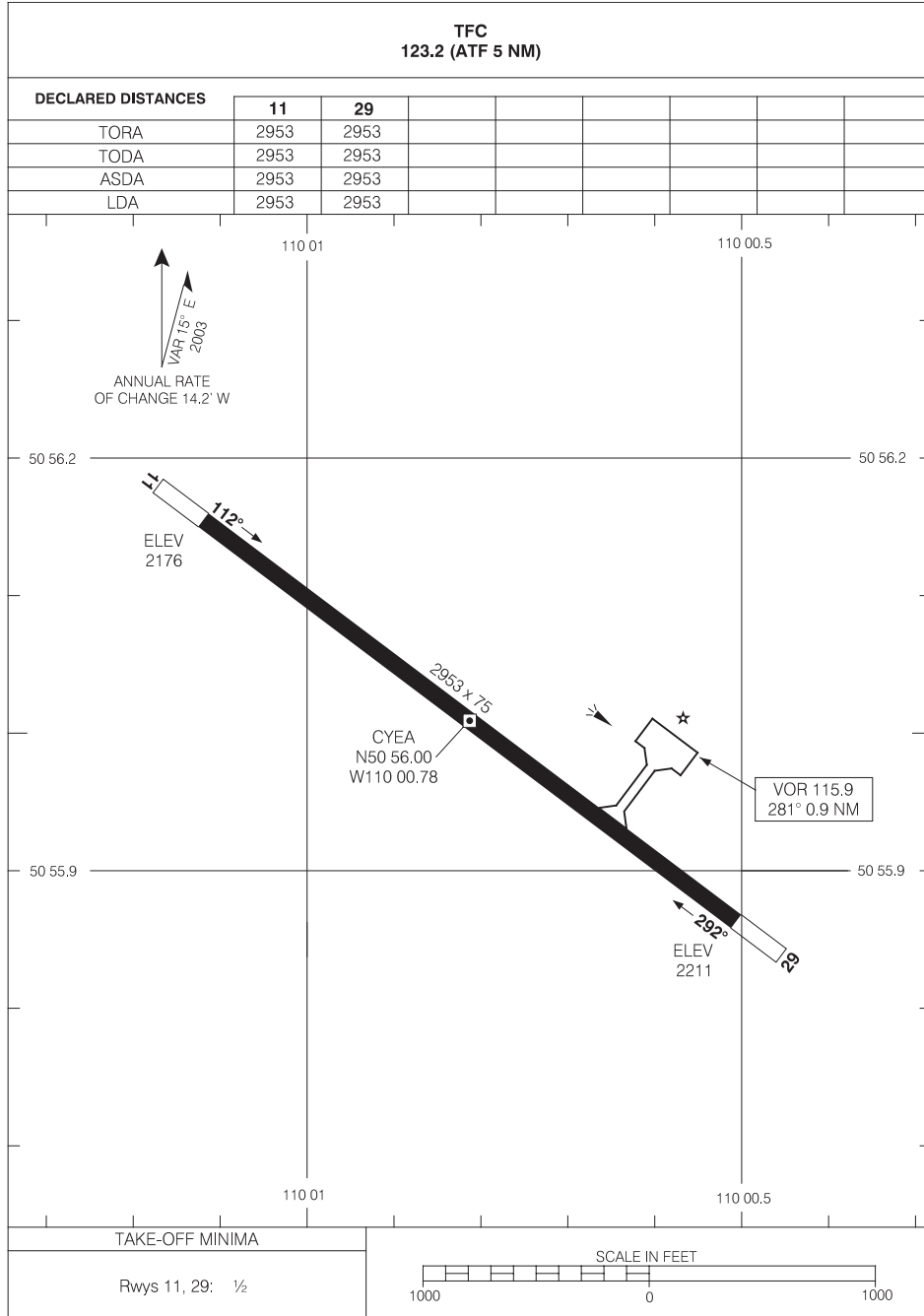
# AERODROME CHART

EDSON AB  
EDSON  
NAD83

EFF 20 NOV 08 CHANGE: AWOS

# AERODROME CHART

EMPRESS  
EMPRESS AB



# AERODROME CHART

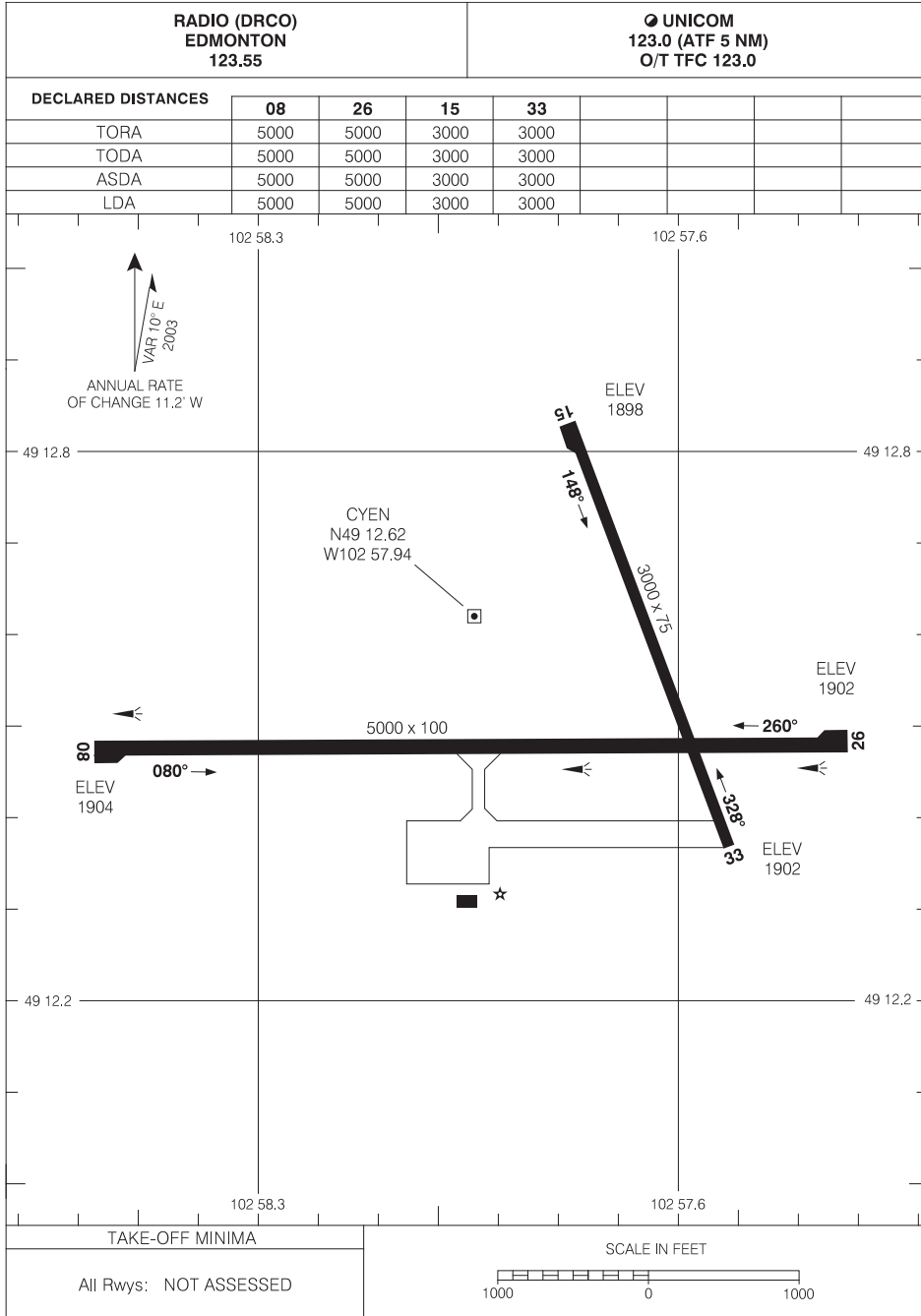
EMPRESS AB  
EMPRESS  
NAD83

EFF 27 AUG 09 CHANGE: Declared distances



# AERODROME CHART

ESTEVAN  
ESTEVAN SK



Source of Canadian Civil Aeronautical Data : © 2010 NAV CANADA All rights reserved

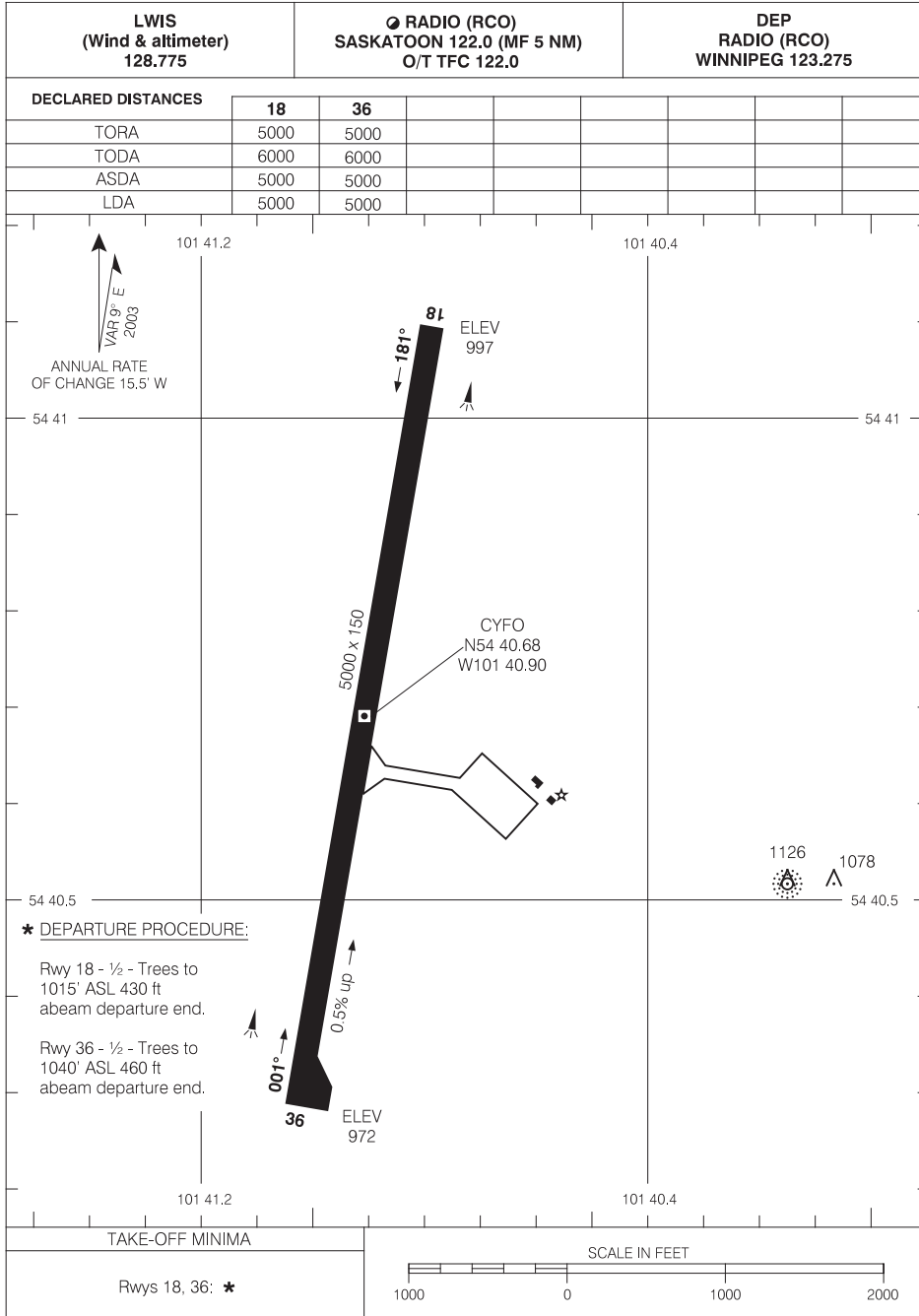
# AERODROME CHART

ESTEVAN SK  
ESTEVAN  
NAD83

EFF 20 NOV 08 CHANGE: Thld elev added

# AERODROME CHART

FLIN FLON  
FLIN FLON MB



Source of Canadian Civil Aeronautical Data : © 2010 NAV CANADA All rights reserved

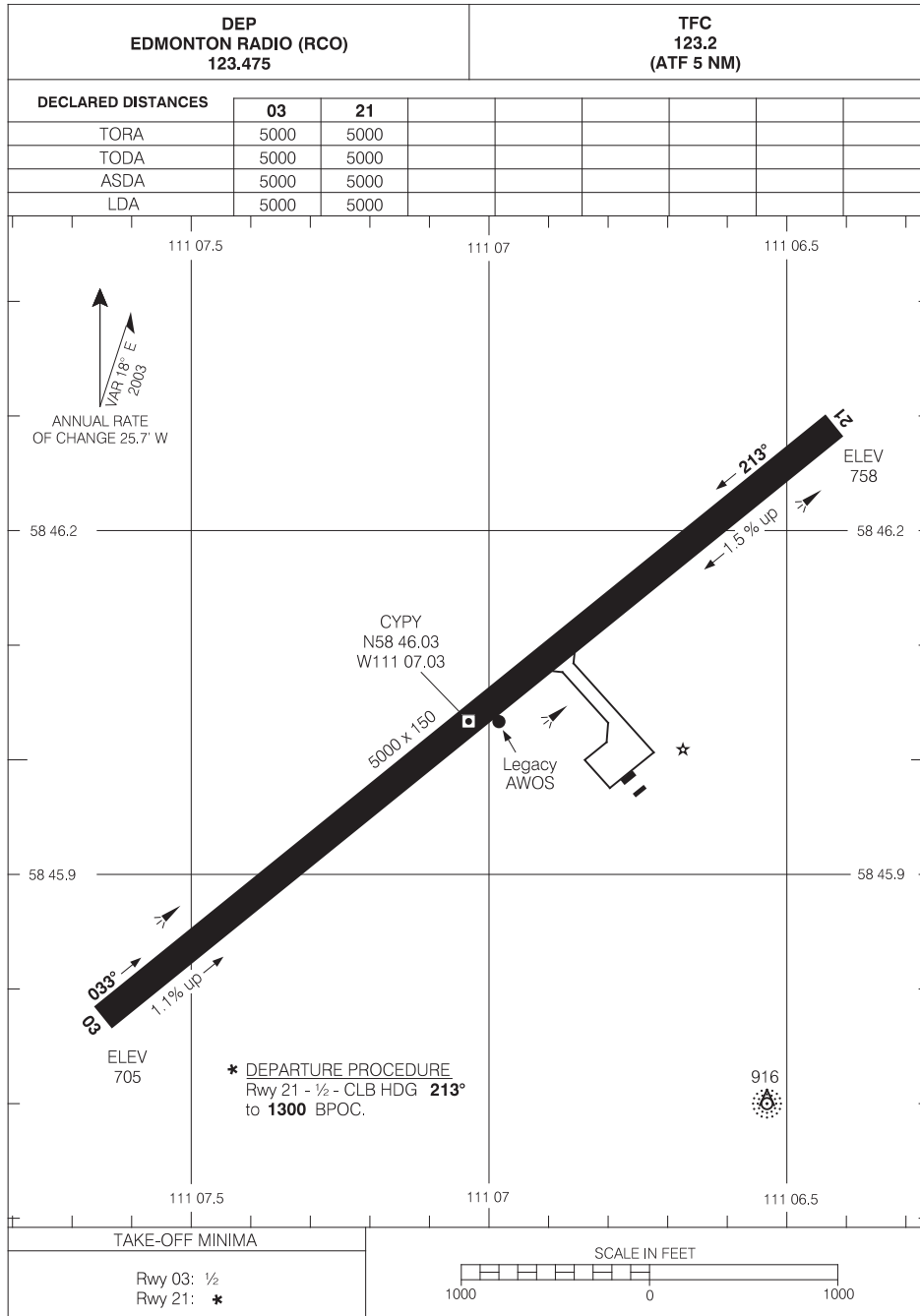
# AERODROME CHART

FLIN FLON MB  
FLIN FLON  
NAD83

EFF 20 NOV 08 CHANGE: Comm box

# AERODROME CHART

FORT CHIPEWYAN  
FORT CHIPEWYAN AB



Source of Canadian Civil Aeronautical Data : © 2010 NAV CANADA All rights reserved

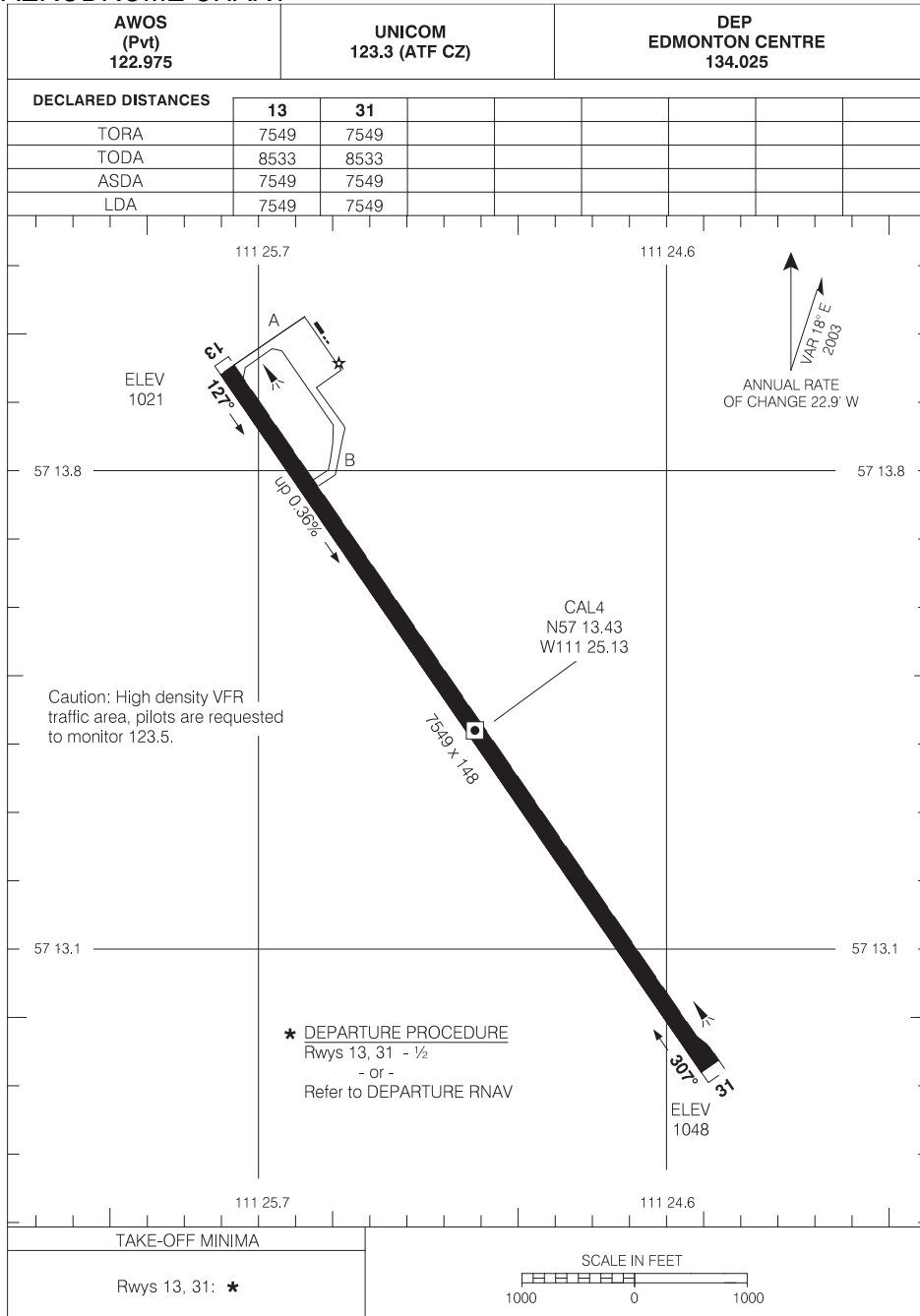
# AERODROME CHART

FORT CHIPEWYAN AB  
FORT CHIPEWYAN  
NAD83

EFF 20 NOV 08    CHANGE: AWOS

# AERODROME CHART

FORT MACKAY/ALBIAN  
FORT MACKAY AB



# AERODROME CHART

FORT MACKAY AB  
FORT MACKAY/ALBIAN  
NAD83

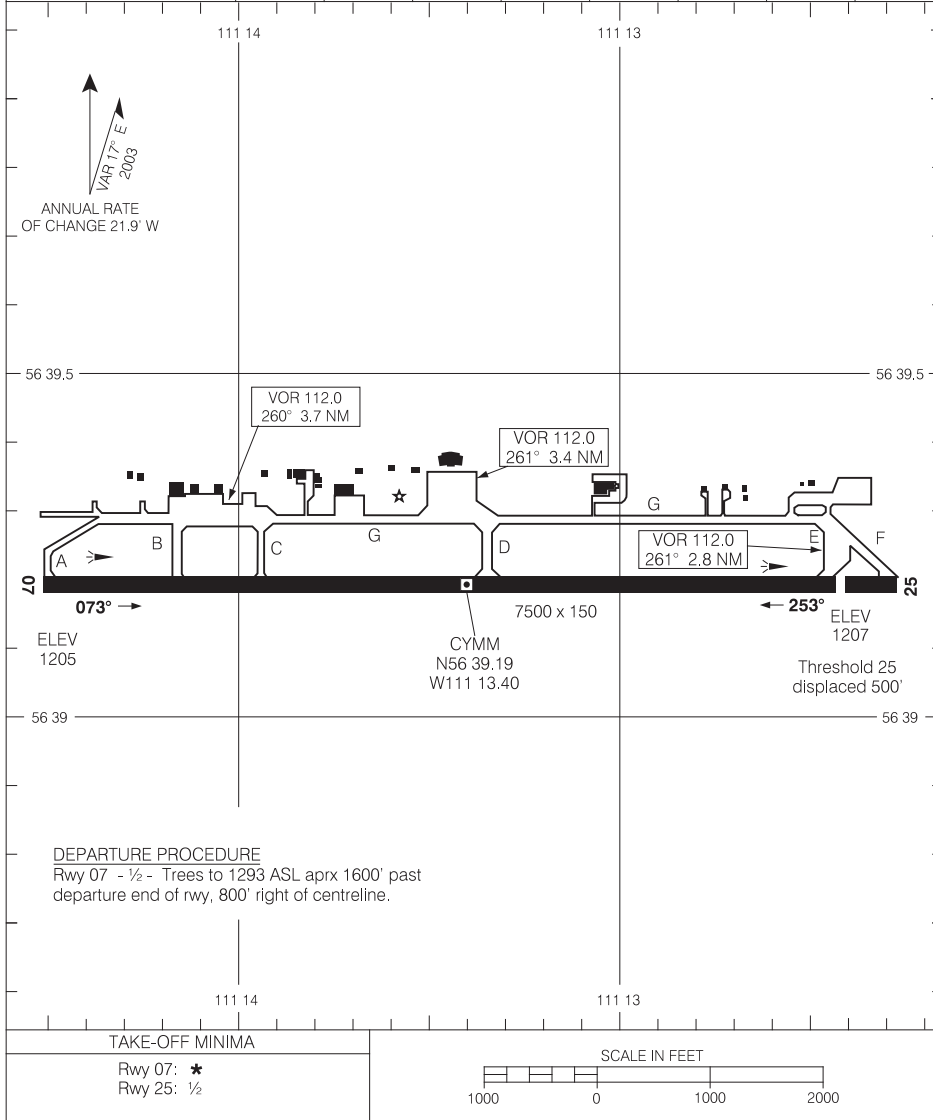
EFF 11 FEB 10 CHANGE: Comm

# AERODROME CHART

FORT McMURRAY  
FORT McMURRAY AB

● ATIS 128.5 O/T Legacy AWOS 128.5	DEP EDMONTON CENTRE 135.7	● TWR 118.1 236.6 O/T PEACE RIVER RDO 118.1 (MF 5 NM)	● GND 121.9	● CLNC DEL 121.9
--	---------------------------------	---	----------------	---------------------

DECLARED DISTANCES	07	25						
TORA	7500	7500						
TODA	8500	8500						
ASDA	7500	7500						
LDA	7500	7000						



Source of Canadian Civil Aeronautical Data : © 2010 NAV CANADA All rights reserved

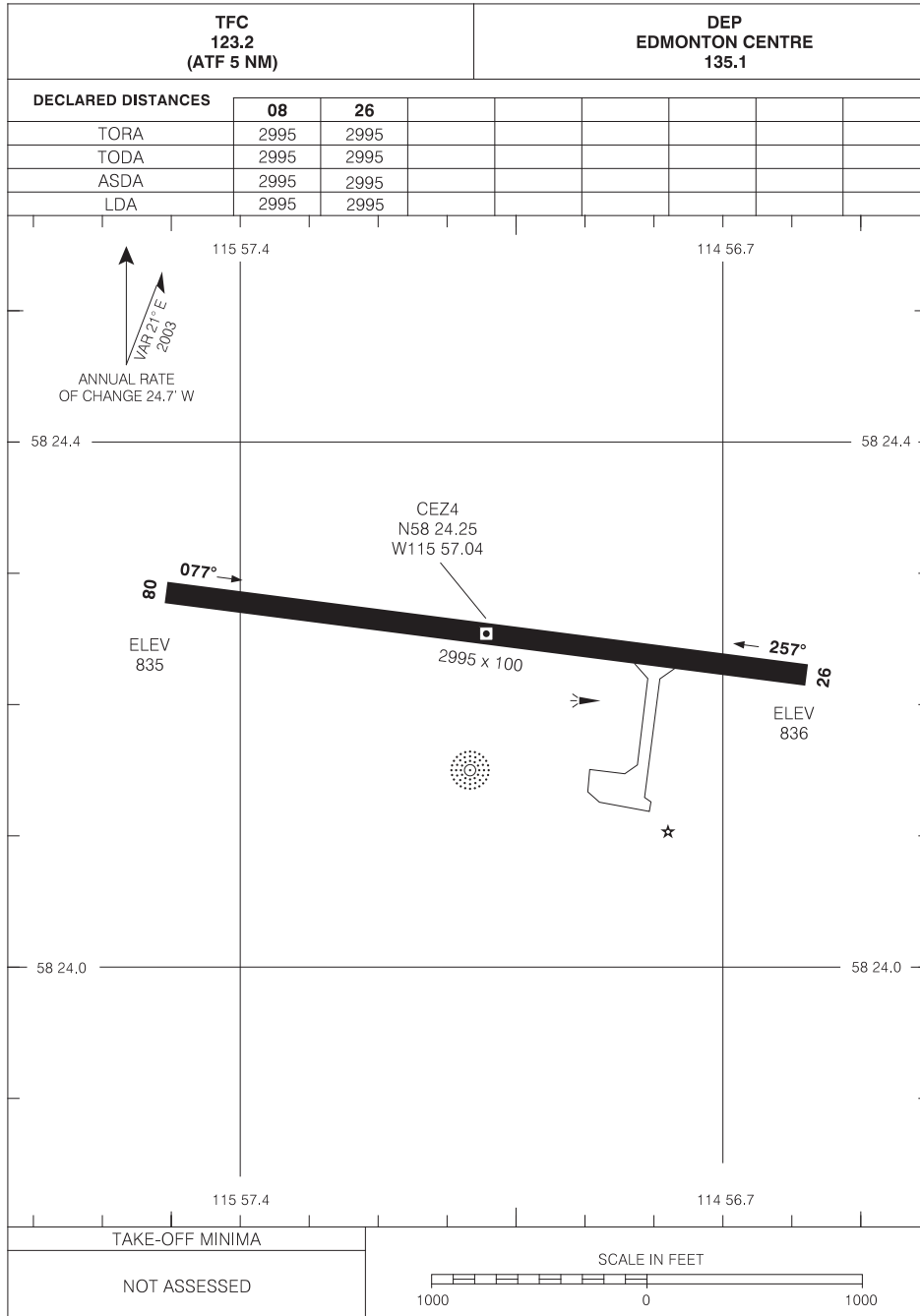
# AERODROME CHART

FORT McMURRAY AB  
FORT McMURRAY  
NAD83

EFF 7 MAY 09 CHANGE: COMM box

# AERODROME CHART

FORT VERMILION  
FORT VERMILION AB



Source of Canadian Civil Aeronautical Data : © 2009 NAV CANADA All rights reserved

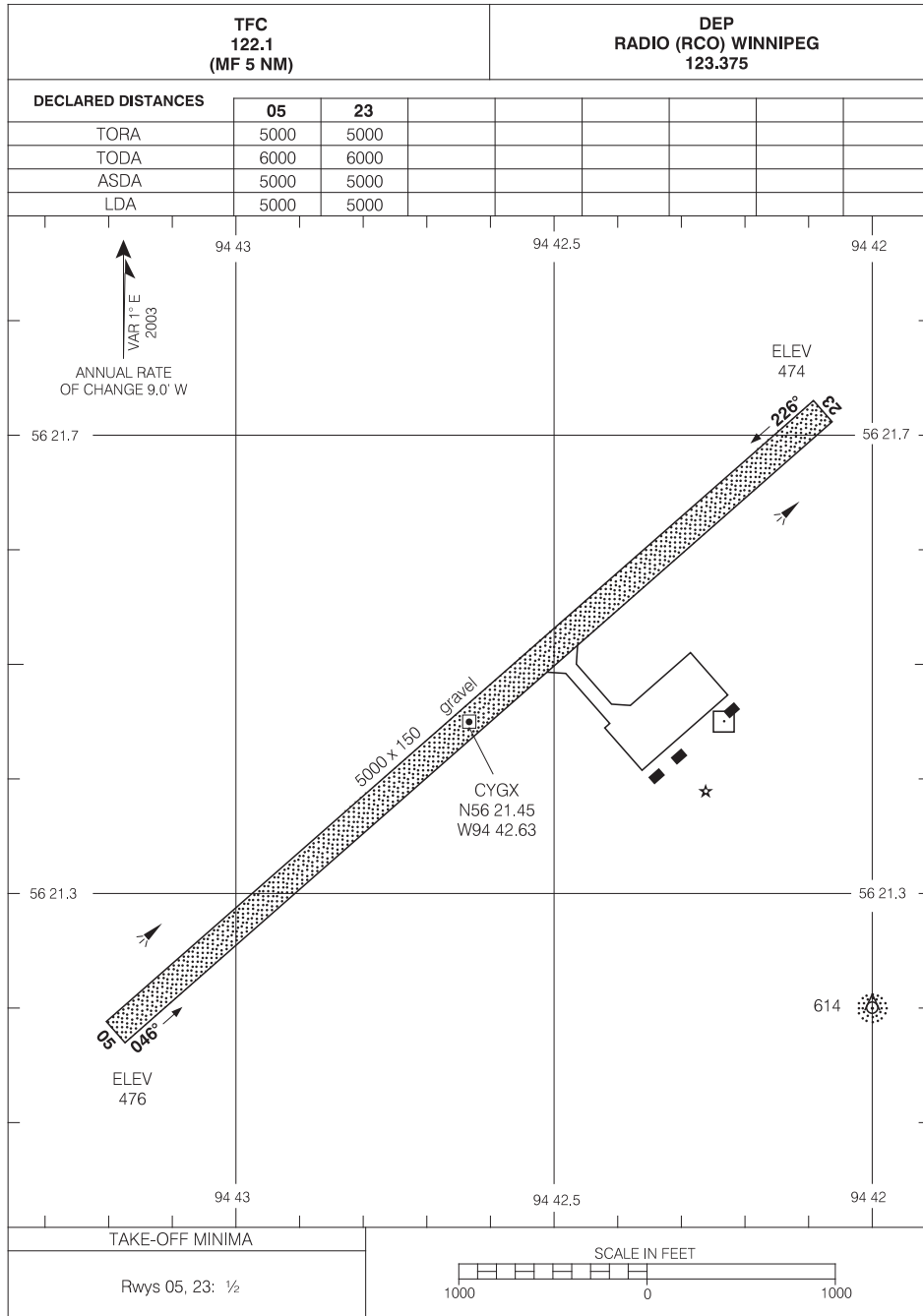
# AERODROME CHART

FORT VERMILION AB  
FORT VERMILION  
NAD83

EFF 15 JAN 09 CHANGE: Threshold elevations

# AERODROME CHART

GILLAM  
GILLAM MB



Source of Canadian Civil Aeronautical Data : © 2010 NAV CANADA All rights reserved

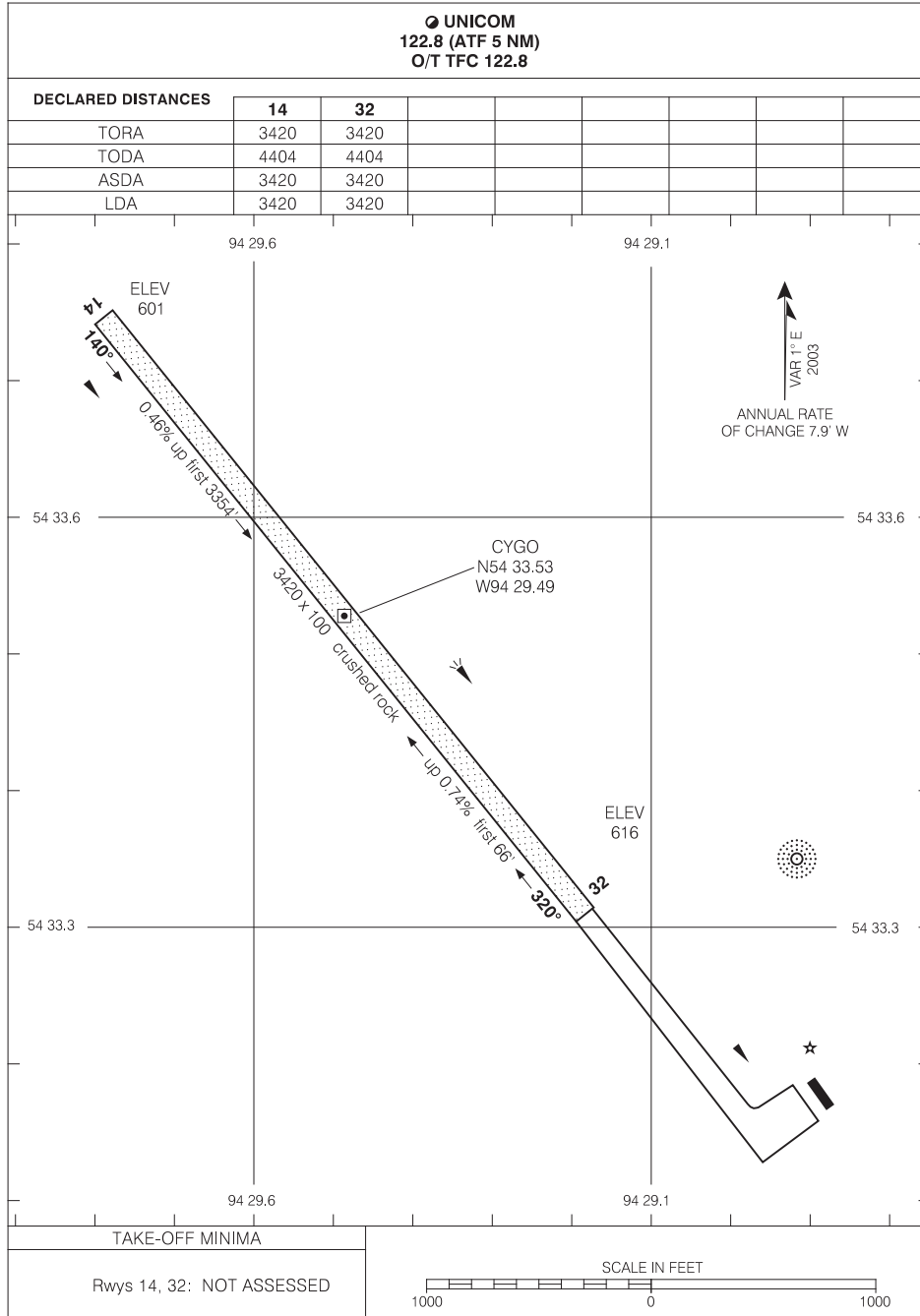
# AERODROME CHART

GILLAM MB  
GILLAM  
NAD83

EFF 8 JUN 06 CHANGE: Editorial

# AERODROME CHART

GODS LAKE NARROWS  
GODS LAKE NARROWS MB



Source of Canadian Civil Aeronautical Data : © 2009 NAV CANADA All rights reserved

# AERODROME CHART

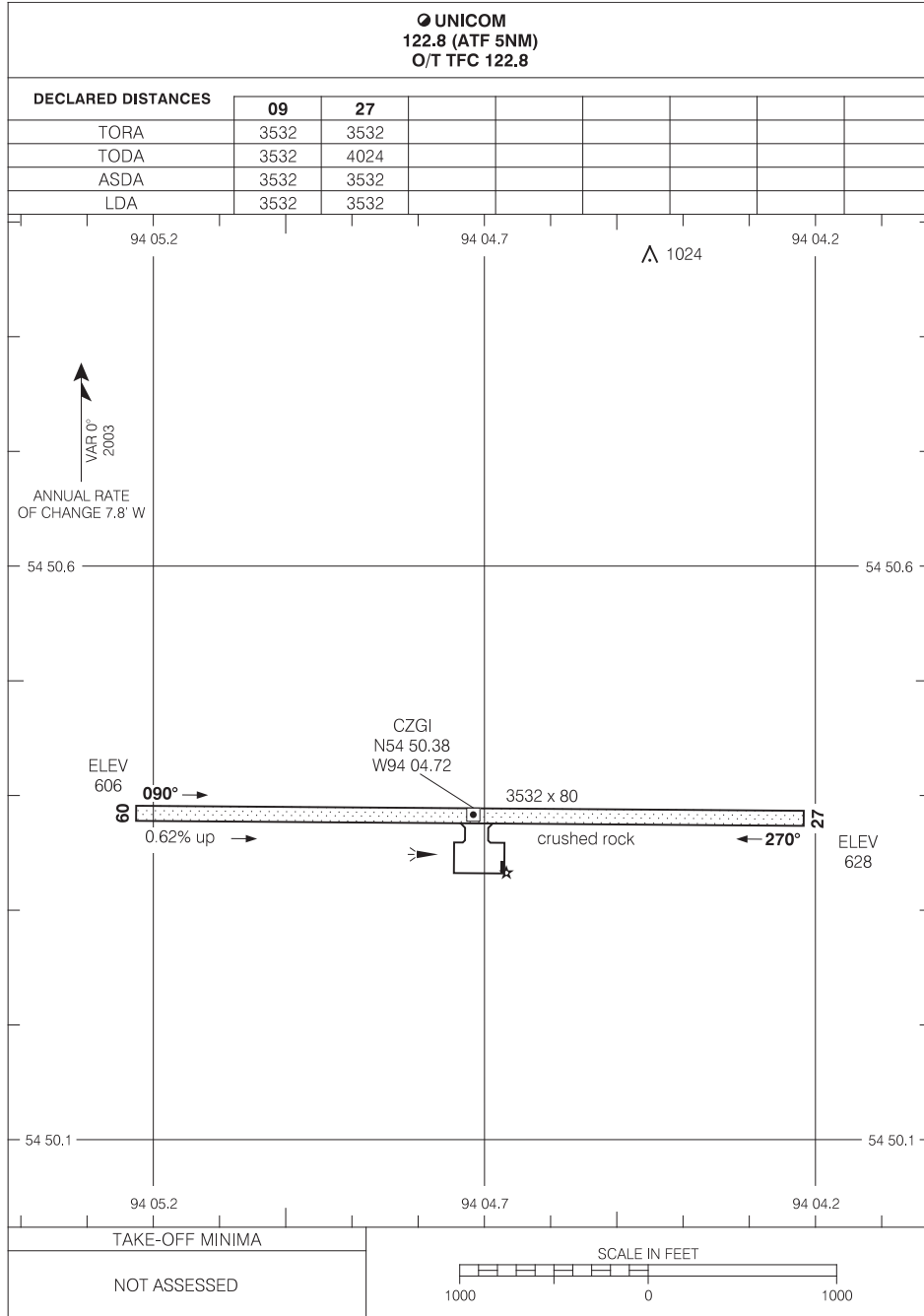
GODS LAKE NARROWS MB  
GODS LAKE NARROWS  
NAD83

EFF 17 DEC 09 CHANGE: Revised



# AERODROME CHART

GODS RIVER  
GODS RIVER MB



Source of Canadian Civil Aeronautical Data : © 2010 NAV CANADA All rights reserved

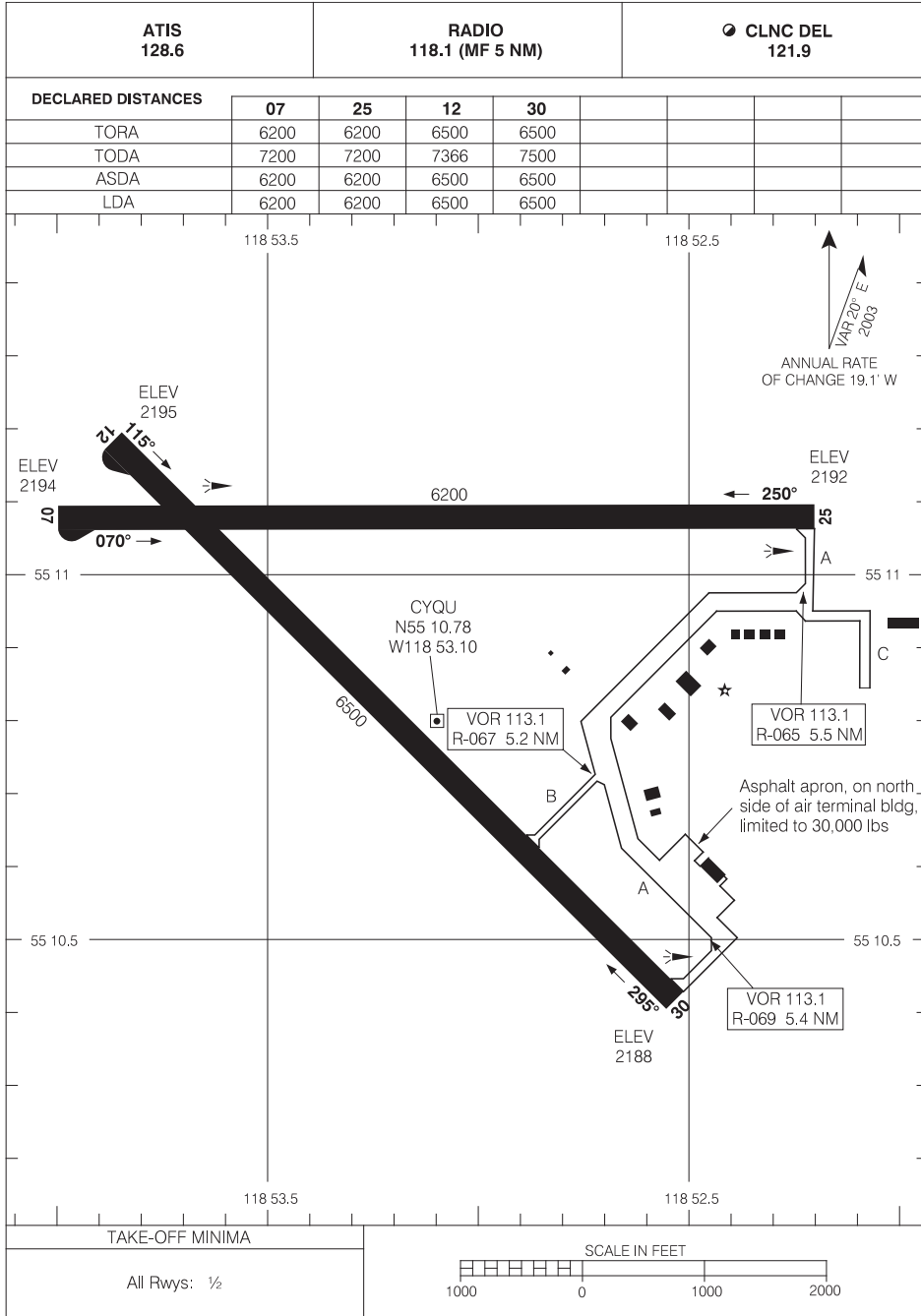
# AERODROME CHART

GODS RIVER MB  
GODS RIVER  
NAD83

EFF 22 OCT 09      CHANGE: Declared distances

# AERODROME CHART

GRANDE PRAIRIE  
GRANDE PRAIRIE AB



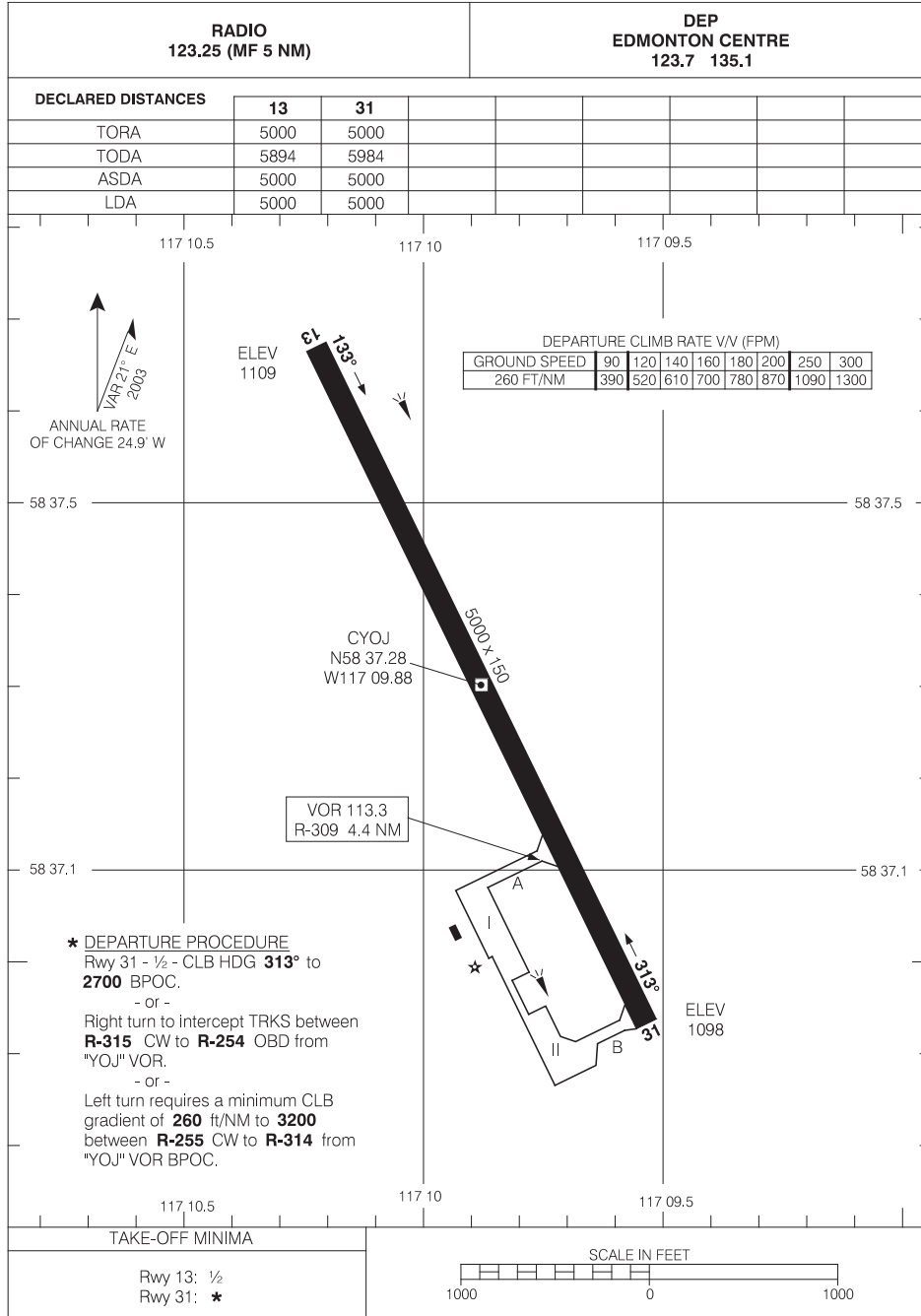
# AERODROME CHART

GRANDE PRAIRIE AB  
GRANDE PRAIRIE  
NAD83

EFF 25 OCT 07 CHANGE: Comm box

# AERODROME CHART

HIGH LEVEL  
HIGH LEVEL AB



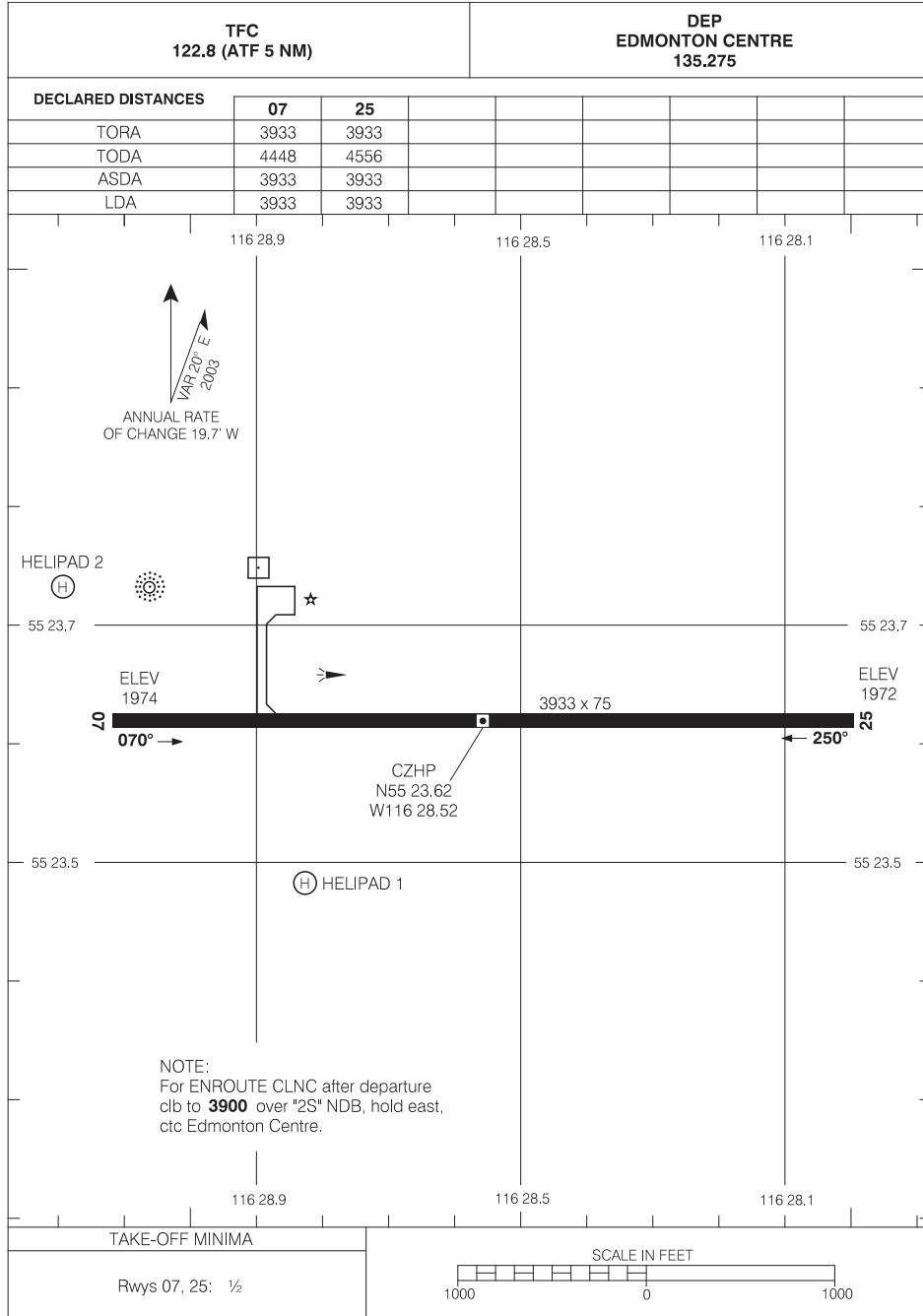
# AERODROME CHART

HIGH LEVEL AB  
HIGH LEVEL  
NAD83

EFF 23 NOV 06 CHANGE: TODA

# AERODROME CHART

HIGH PRAIRIE  
HIGH PRAIRIE AB



# AERODROME CHART

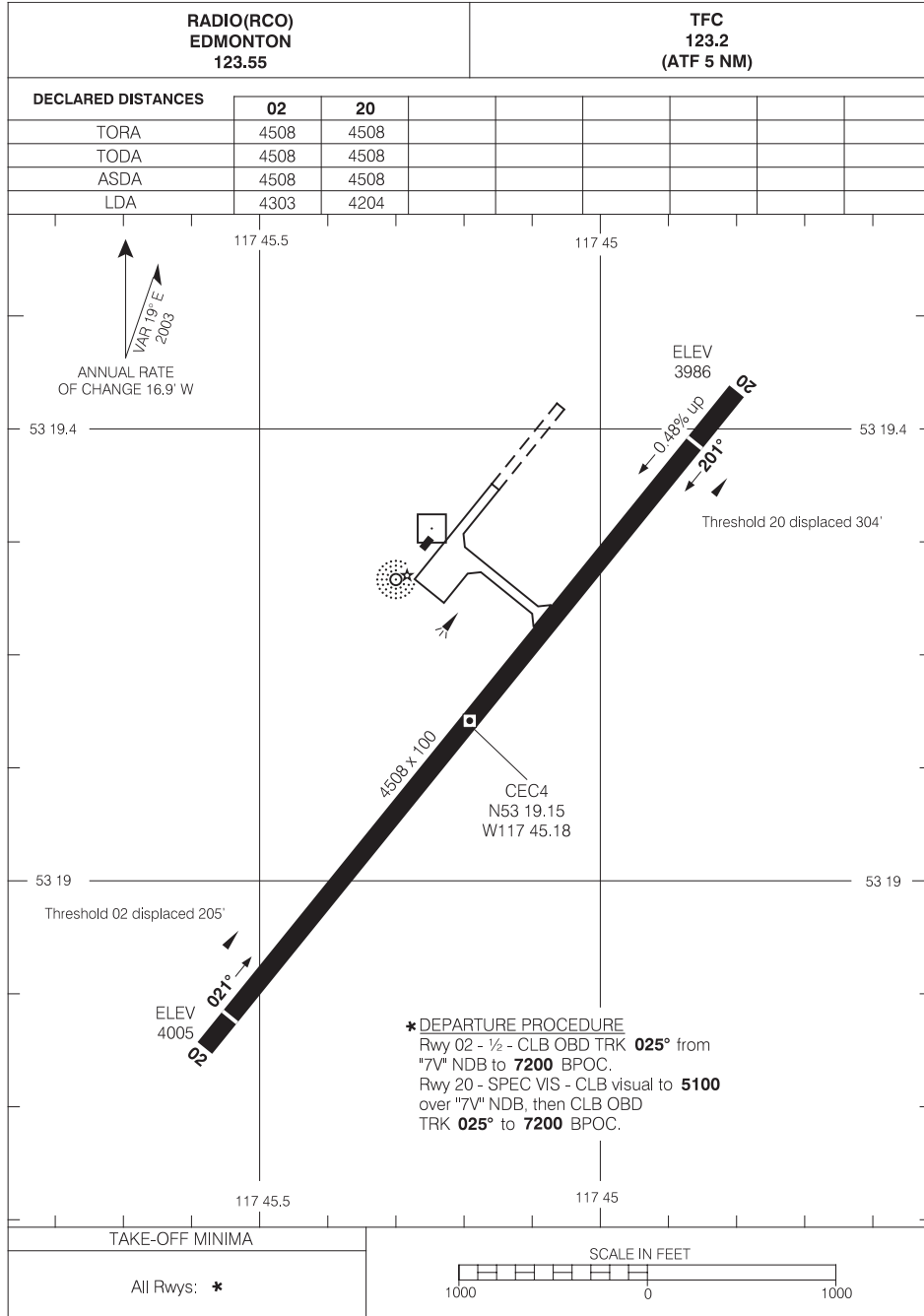
HIGH PRAIRIE AB  
HIGH PRAIRIE  
NAD83

EFF 8 JUN 06

CHANGE: Helipads 1 & 2

# AERODROME CHART

HINTON/JASPER-HINTON  
HINTON AB



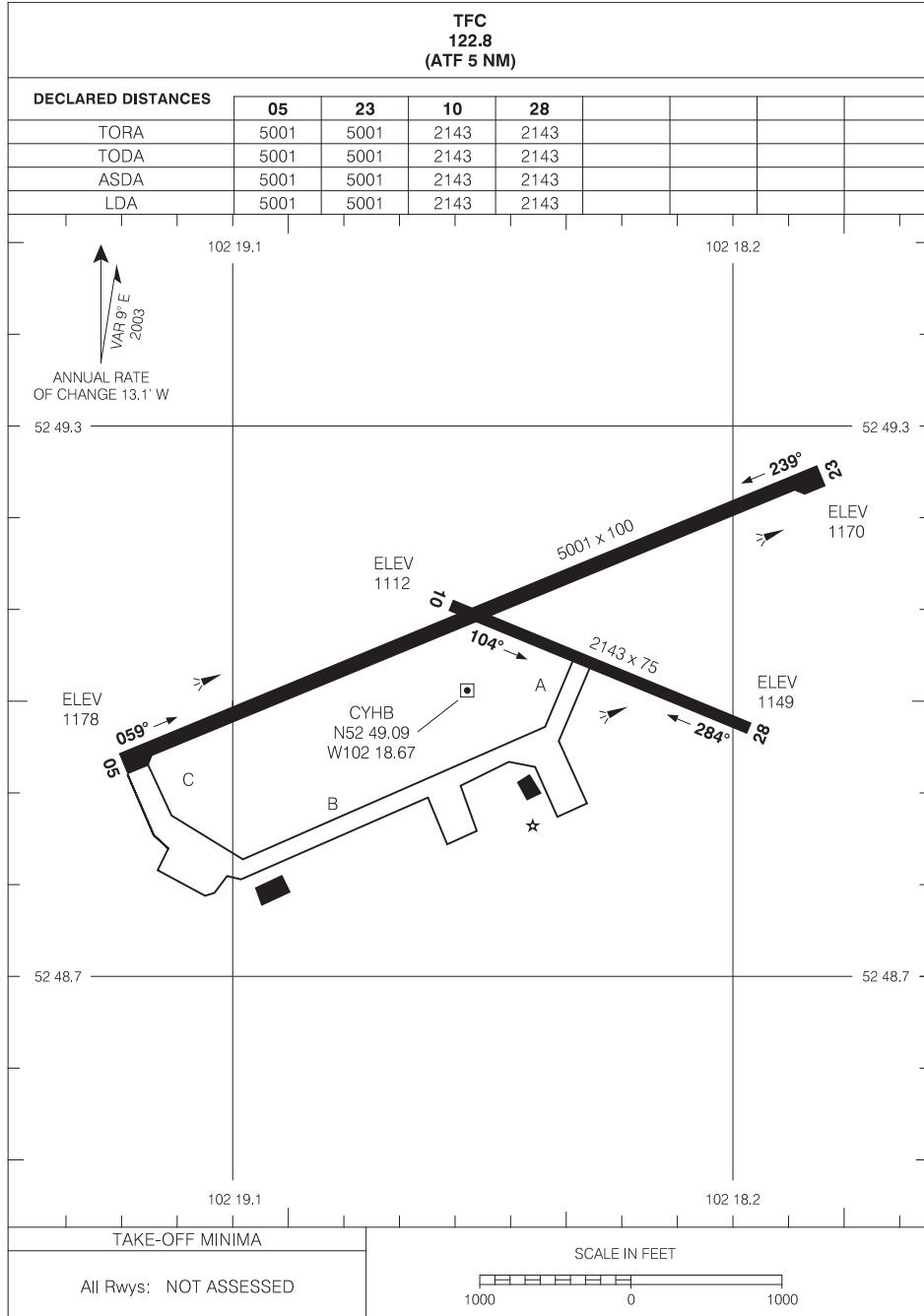
# AERODROME CHART

HINTON AB  
HINTON/JASPER-HINTON  
NAD83

EFF 27 AUG 09 CHANGE: Threshold notes added

# AERODROME CHART

HUDSON BAY  
HUDSON BAY SK



Source of Canadian Civil Aeronautical Data : © 2010 NAV CANADA All rights reserved

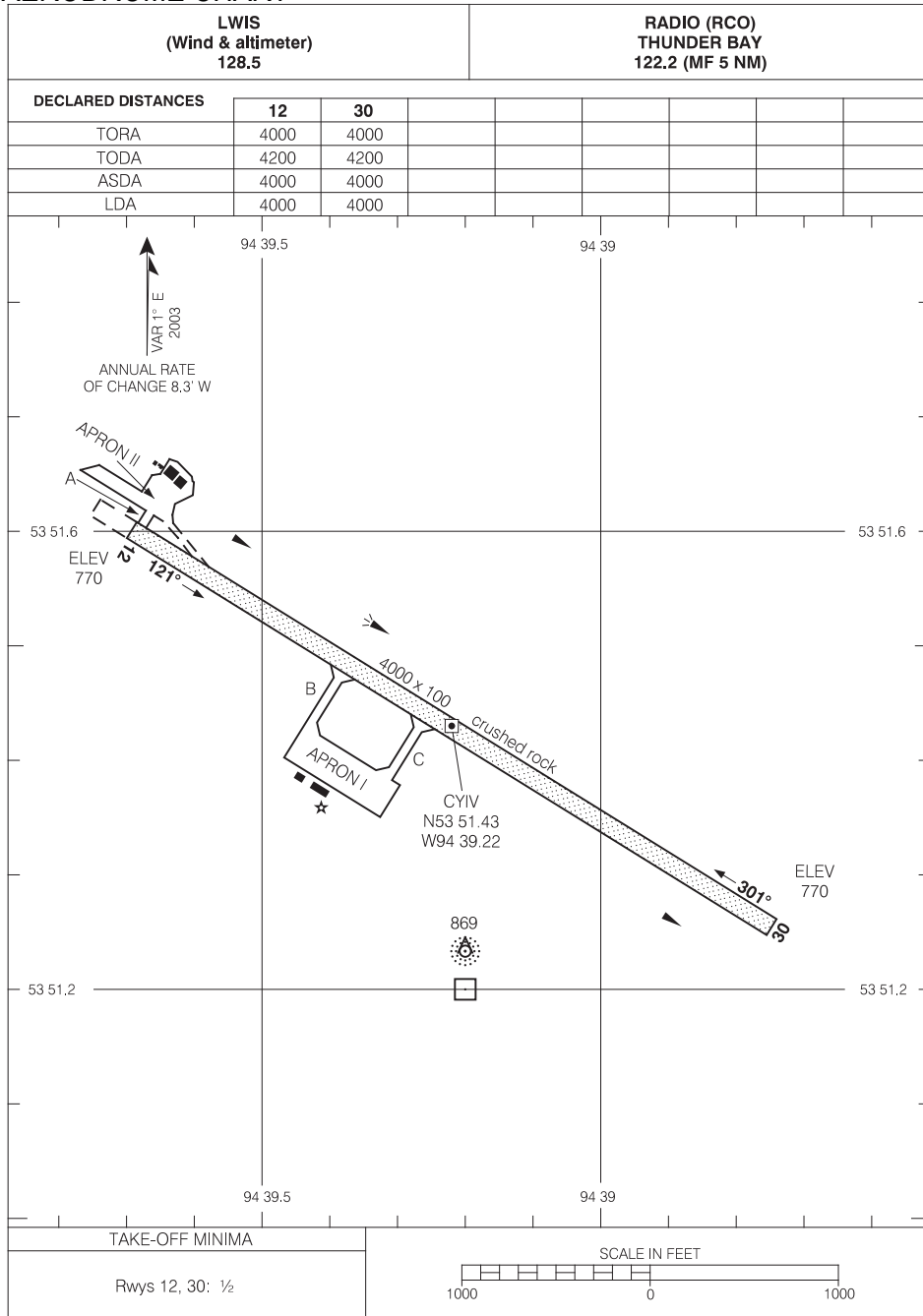
# AERODROME CHART

HUDSON BAY SK  
HUDSON BAY  
NAD83

EFF 11 FEB 10 CHANGE: Rwy magnetic bearings

# AERODROME CHART

ISLAND LAKE  
ISLAND LAKE MB



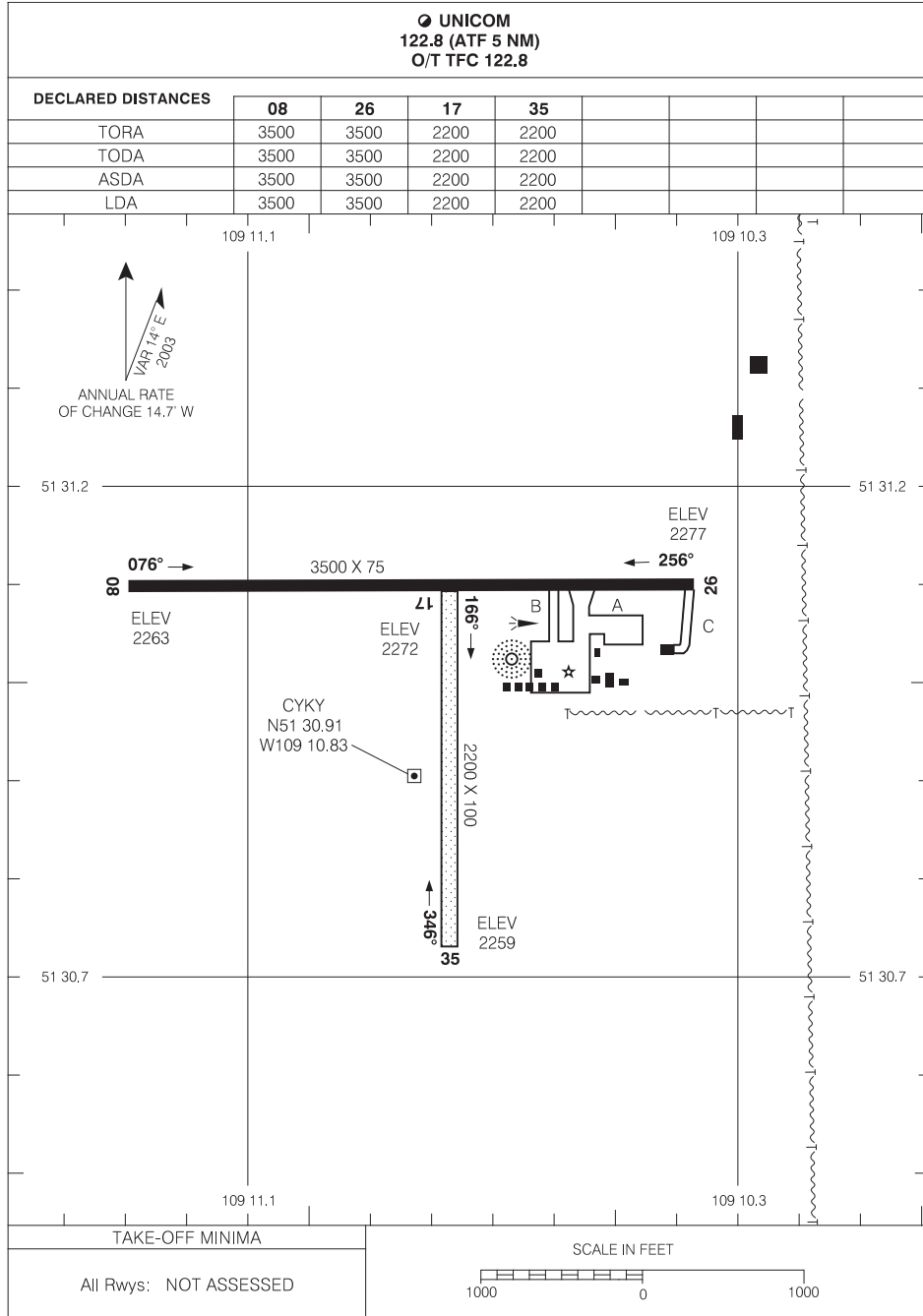
# AERODROME CHART

ISLAND LAKE MB  
ISLAND LAKE  
NAD83

EFF 15 MAR 07 CHANGE: COMM

# AERODROME CHART

KINDERSLEY REGIONAL  
KINDERSLEY SK



Source of Canadian Civil Aeronautical Data : © 2010 NAV CANADA All rights reserved

# AERODROME CHART

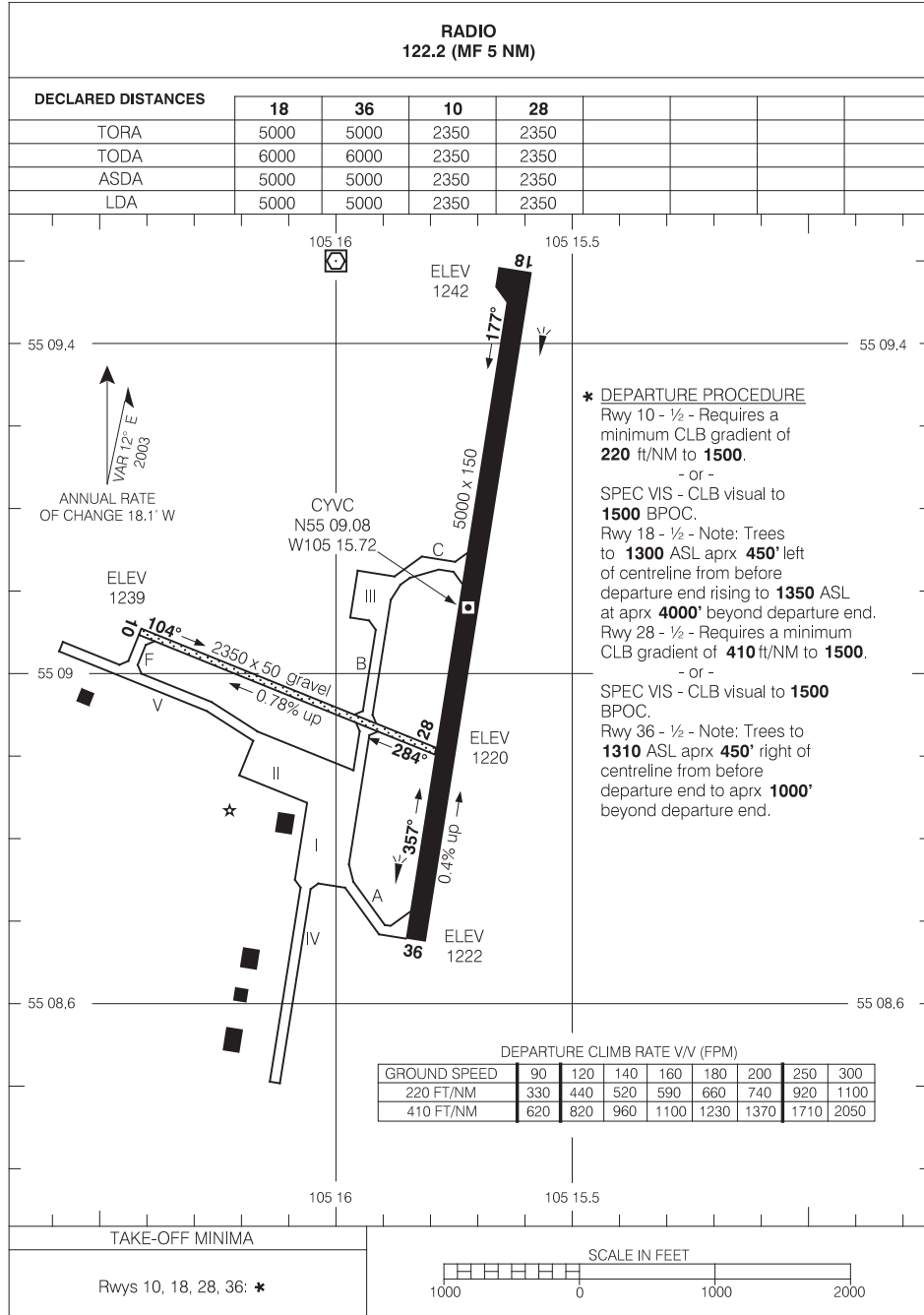
KINDERSLEY SK  
KINDERSLEY REGIONAL  
NAD83

EFF 27 AUG 09 CHANGE: Name



# AERODROME CHART

LA RONGE (BARBER FIELD)  
LA RONGE SK



Source of Canadian Civil Aeronautical Data : © 2010 NAV CANADA All rights reserved

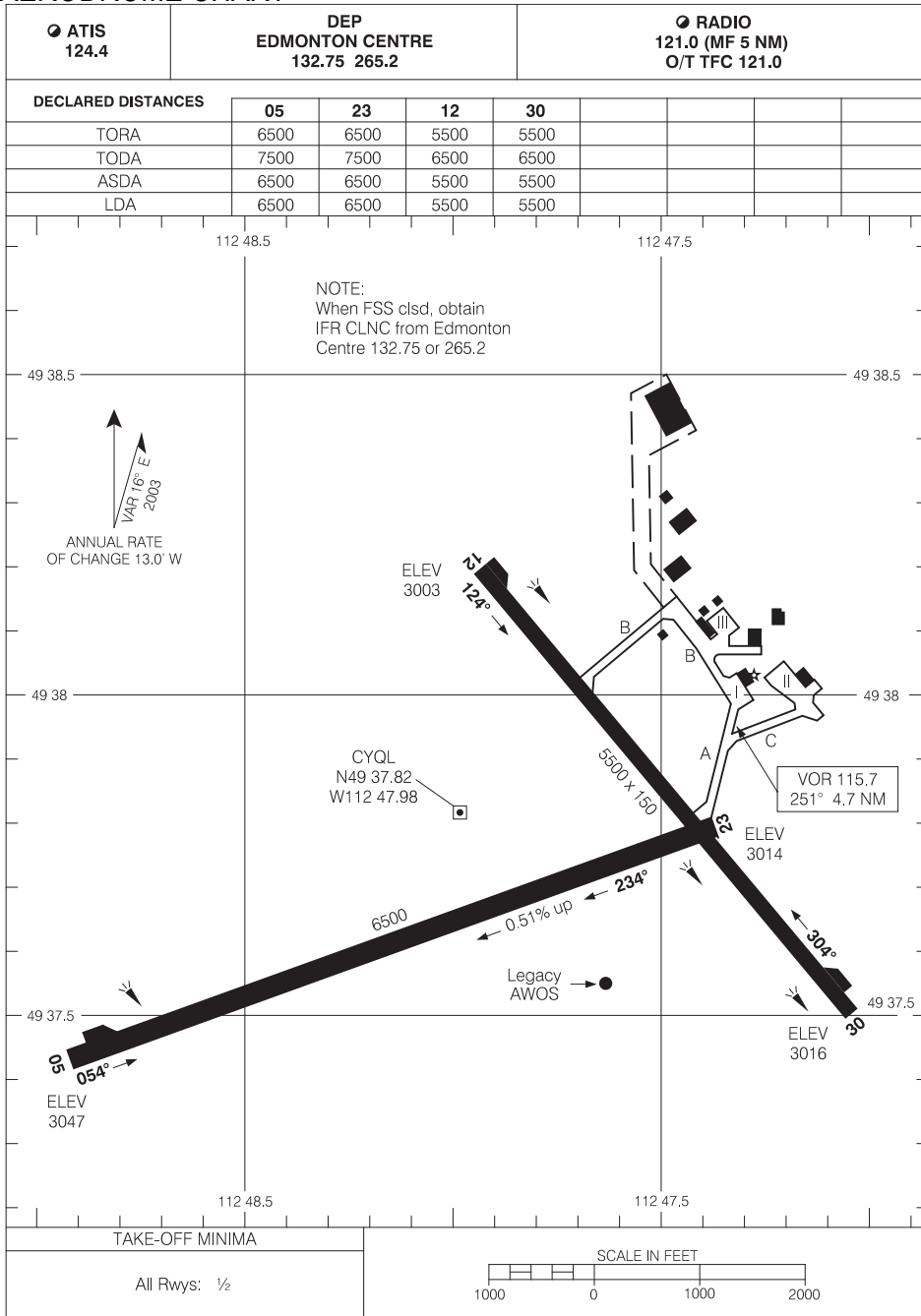
# AERODROME CHART

LA RONGE SK  
LA RONGE (BARBER FIELD)  
NAD83

EFF 27 AUG 09 CHANGE: Apron V

# AERODROME CHART

LETHBRIDGE COUNTY  
LETHBRIDGE AB



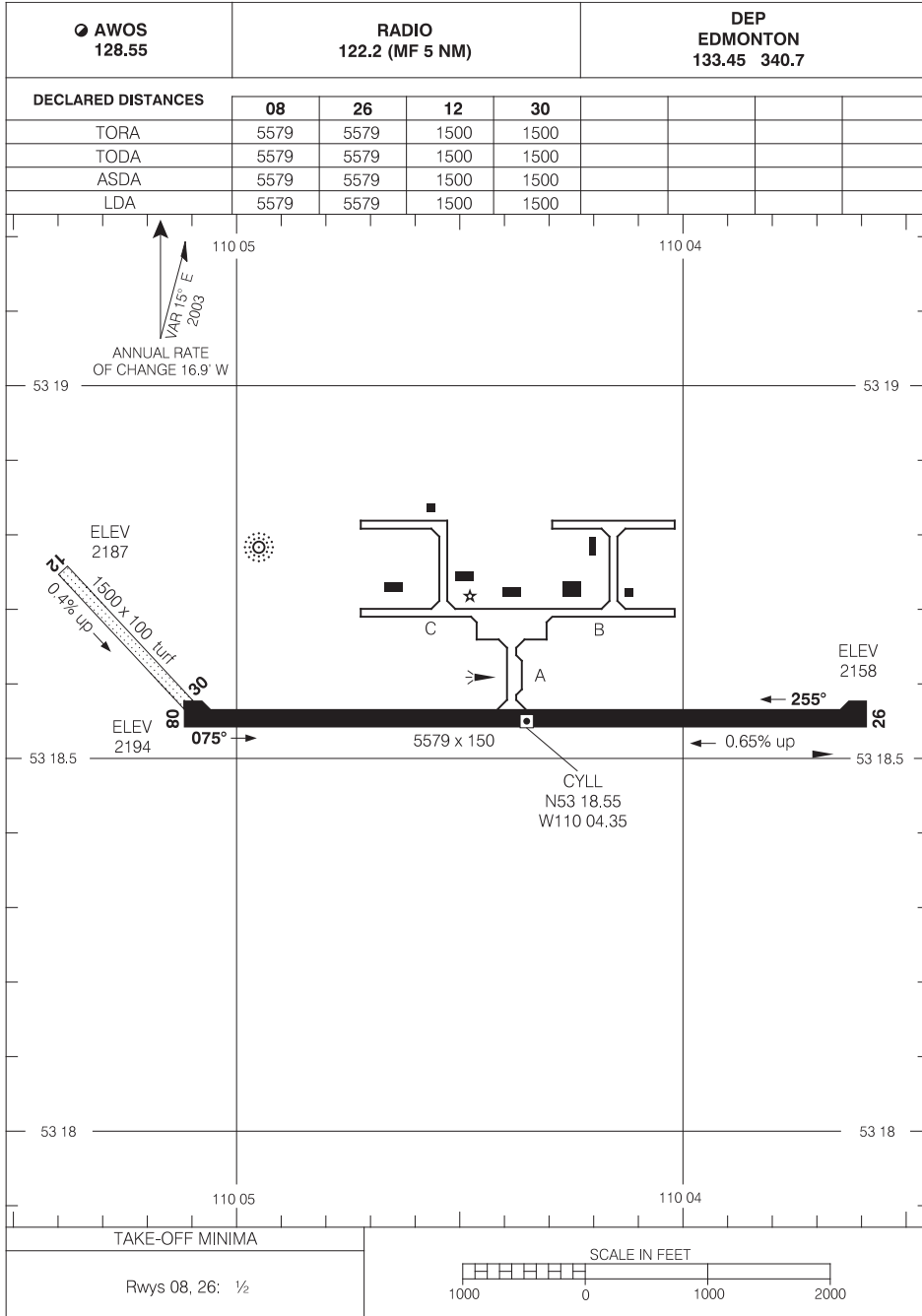
# AERODROME CHART

LETHBRIDGE AB  
LETHBRIDGE COUNTY  
NAD83

EFF 22 OCT 09 CHANGE: Aerodrome name

# AERODROME CHART

LLOYDMINSTER  
LLOYDMINSTER AB



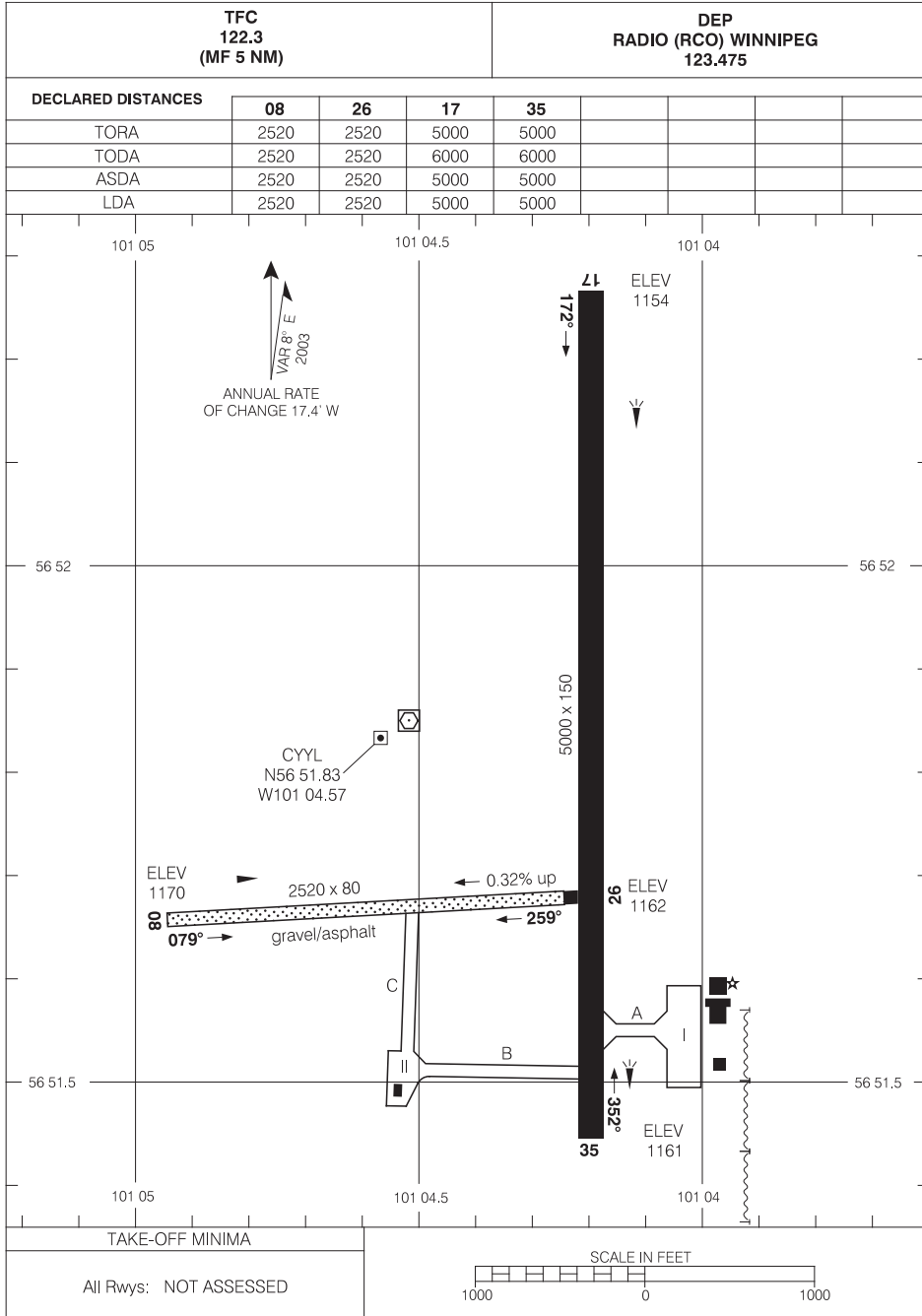
# AERODROME CHART

LLOYDMINSTER AB  
LLOYDMINSTER  
NAD83

EFF 17 DEC 09 CHANGE: Comm

# AERODROME CHART

LYNN LAKE  
LYNN LAKE MB



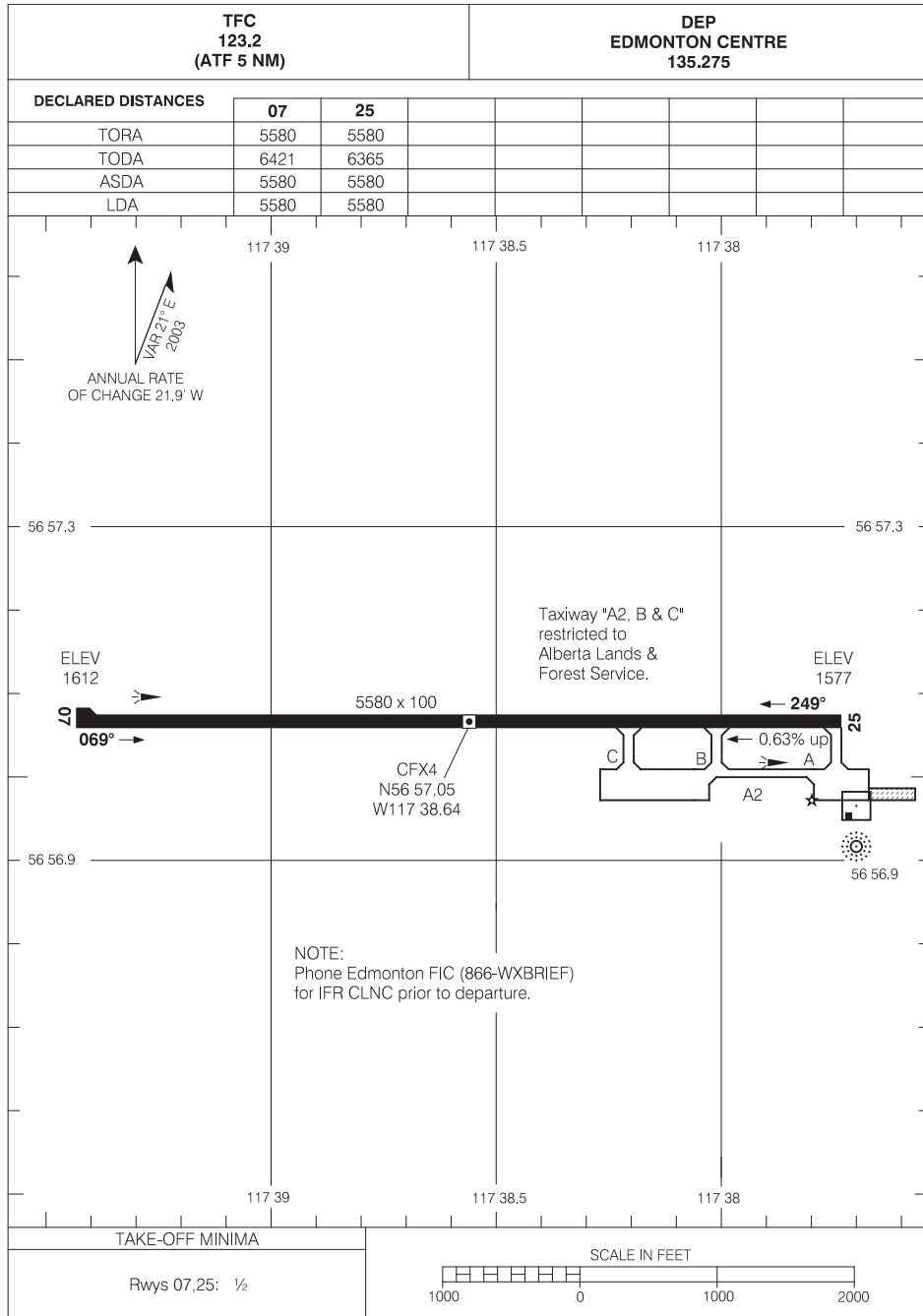
# AERODROME CHART

LYNN LAKE MB  
LYNN LAKE  
NAD83

EFF 8 JUN 06 CHANGE: Revised

# AERODROME CHART

MANNING  
MANNING AB



Source of Canadian Civil Aeronautical Data : © 2010 NAV CANADA All rights reserved

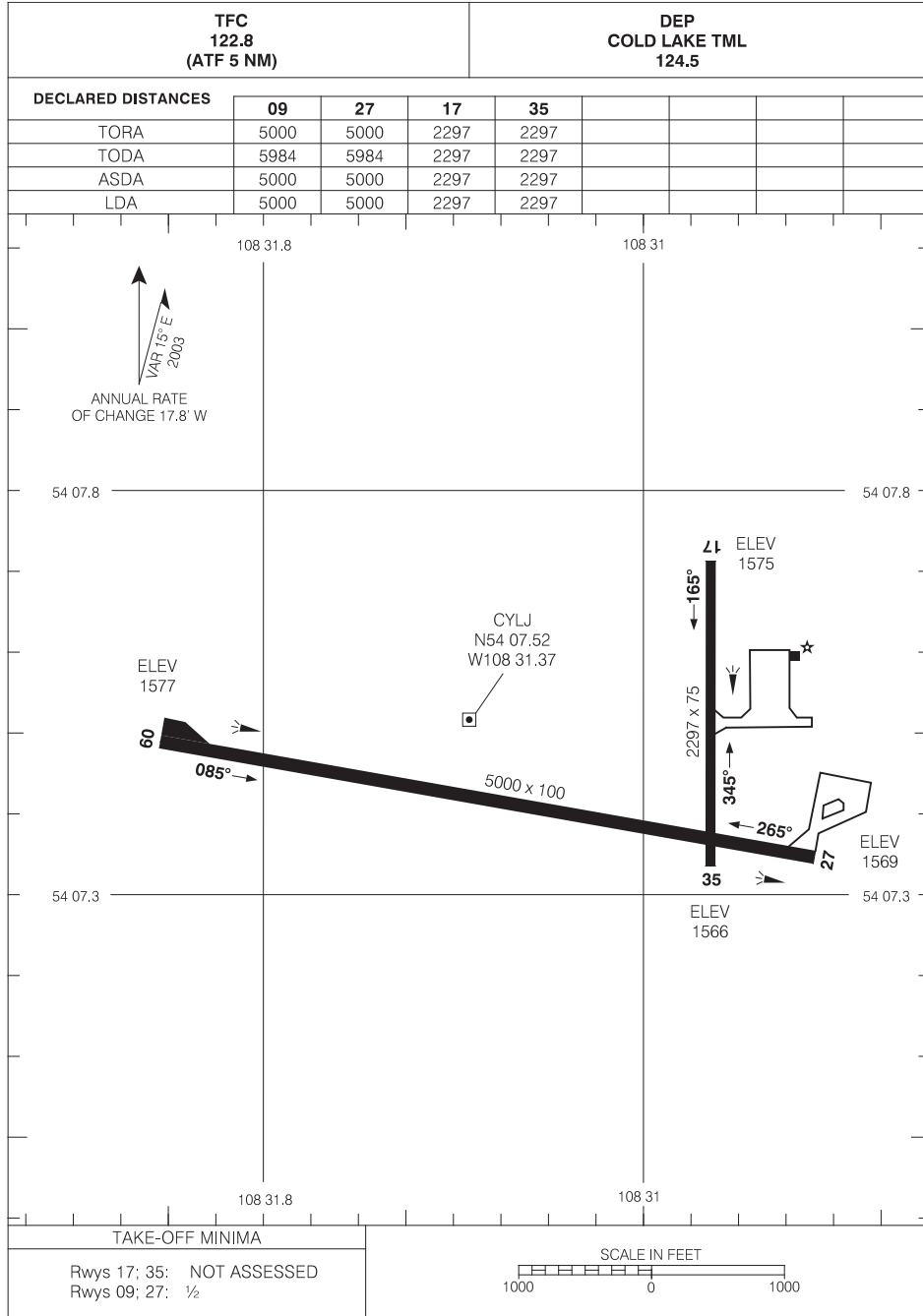
# AERODROME CHART

MANNING AB  
MANNING  
NAD83

EFF 7 MAY 09 CHANGE: Revised

# AERODROME CHART

MEADOW LAKE  
MEADOW LAKE SK



Source of Canadian Civil Aeronautical Data : © 2010 NAV CANADA All rights reserved

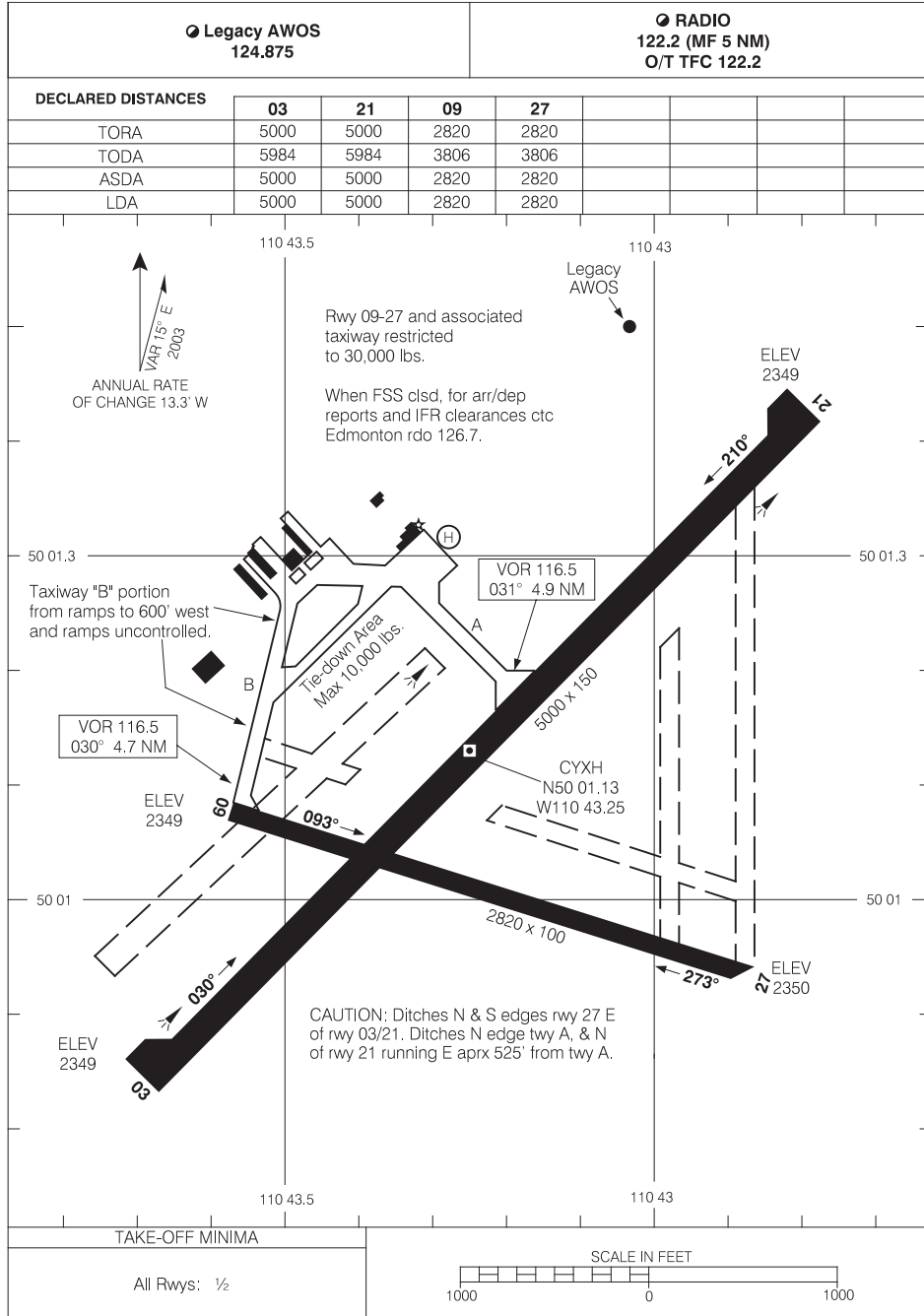
# AERODROME CHART

MEADOW LAKE SK  
MEADOW LAKE  
NAD83

EFF 22 OCT 09 CHANGE: Revised

# AERODROME CHART

MEDICINE HAT  
MEDICINE HAT AB



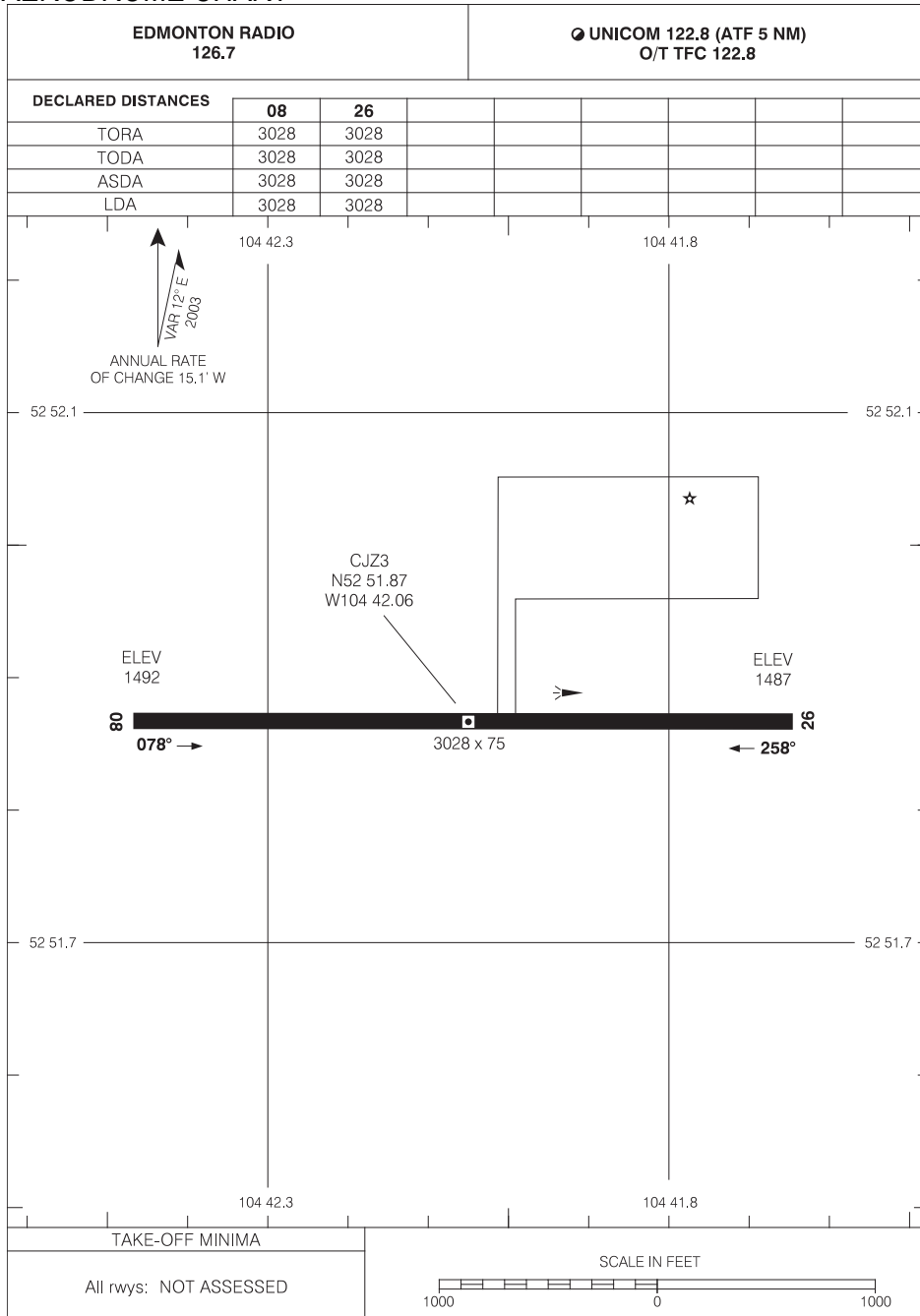
# AERODROME CHART

MEDICINE HAT AB  
MEDICINE HAT  
NAD83

EFF 20 NOV 08 CHANGE: AWOS

# AERODROME CHART

MELFORT (MILLER FIELD)  
MELFORT SK



Source of Canadian Civil Aeronautical Data : © 2010 NAV CANADA All rights reserved

# AERODROME CHART

MELFORT SK  
MELFORT (MILLER FIELD)  
NAD83

EFF 7 MAY 09

CHANGE: Rwy length, declared distances

525152N 1044203W

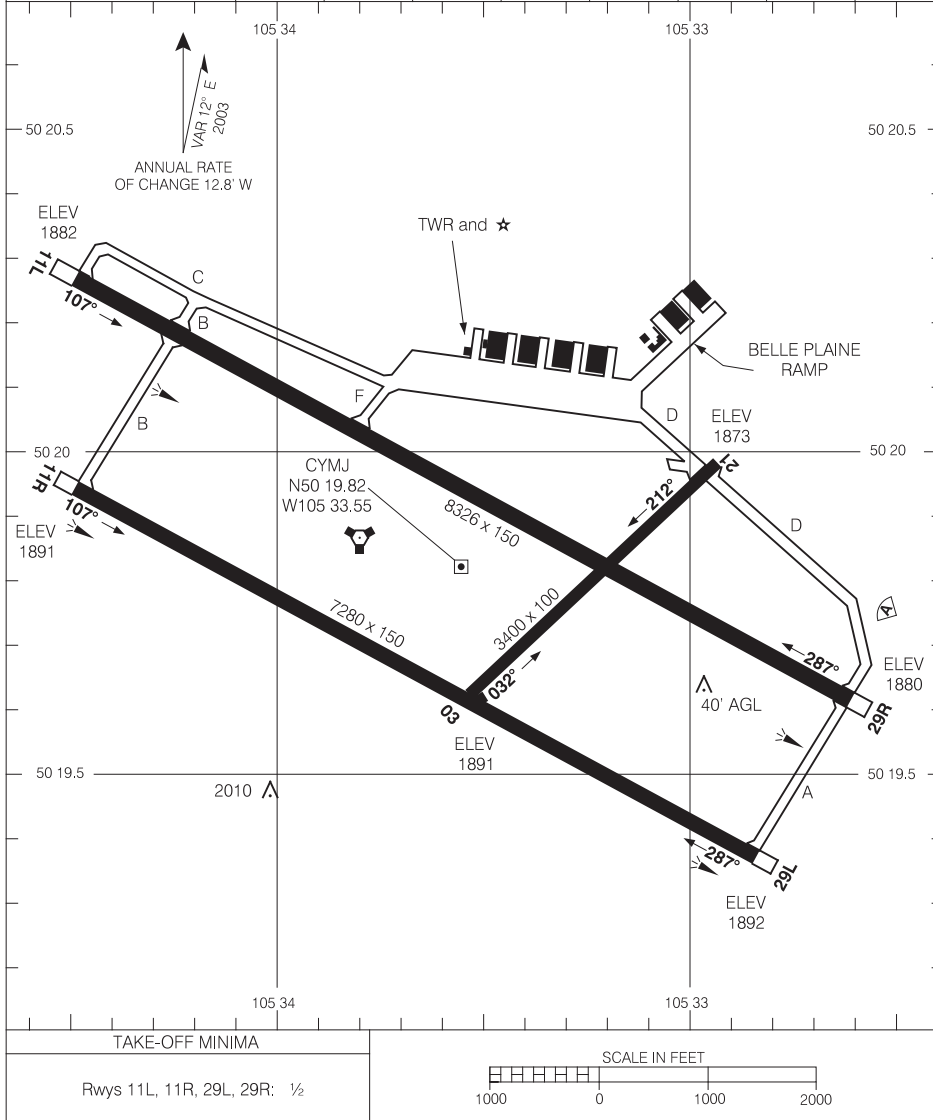


# AERODROME CHART (DND)

MOOSE JAW/AIR VICE MARSHAL C.M. McEWEN  
MOOSE JAW SK

● ATIS 257.8	● CLNC DEL 135.3 234.4	● GND 121.8 275.8	● TWR 126.2 295.6	● DEP 119.0 227.6
-----------------	------------------------------	-------------------------	-------------------------	-------------------------

DECLARED DISTANCES	11L	29R	11R	29L	03	21
TORA	8326	8326	7280	7280	3400	3400
TODA	9326	9326	8280	8280	4400	4400
ASDA	8326	8326	7280	7280	3400	3400
LDA	8326	8326	7280	7280	3400	3400



Source of Canadian Civil Aeronautical Data : © 2010 NAV CANADA All rights reserved

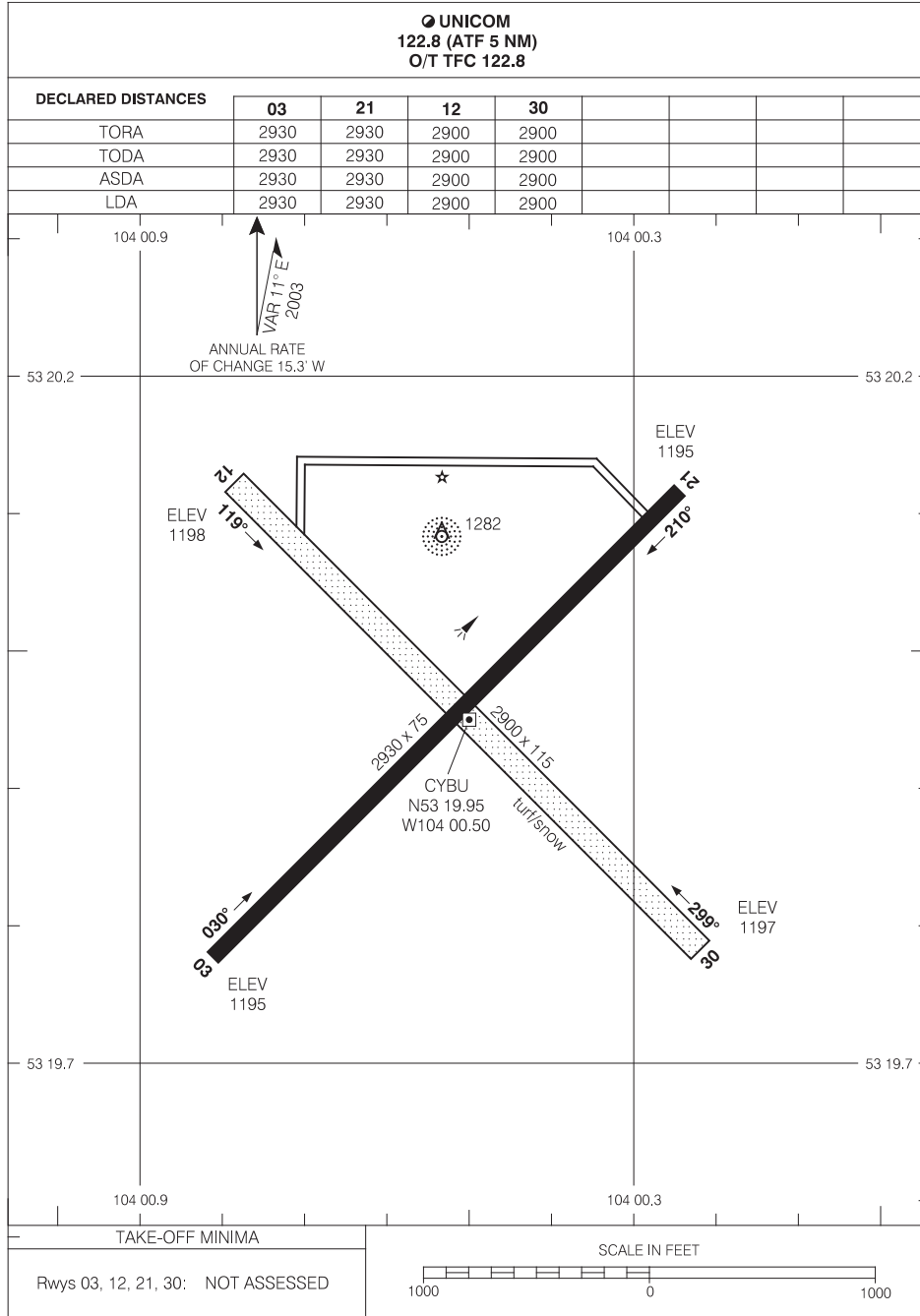
# AERODROME CHART (DND)

MOOSE JAW SK  
MOOSE JAW/AIR VICE MARSHAL C.M. McEWEN  
NAD83

EFF 25 SEP 08 CHANGE: VOT deleted

# AERODROME CHART

NIPAWIN  
NIPAWIN SK



Source of Canadian Civil Aeronautical Data : © 2010 NAV CANADA All rights reserved

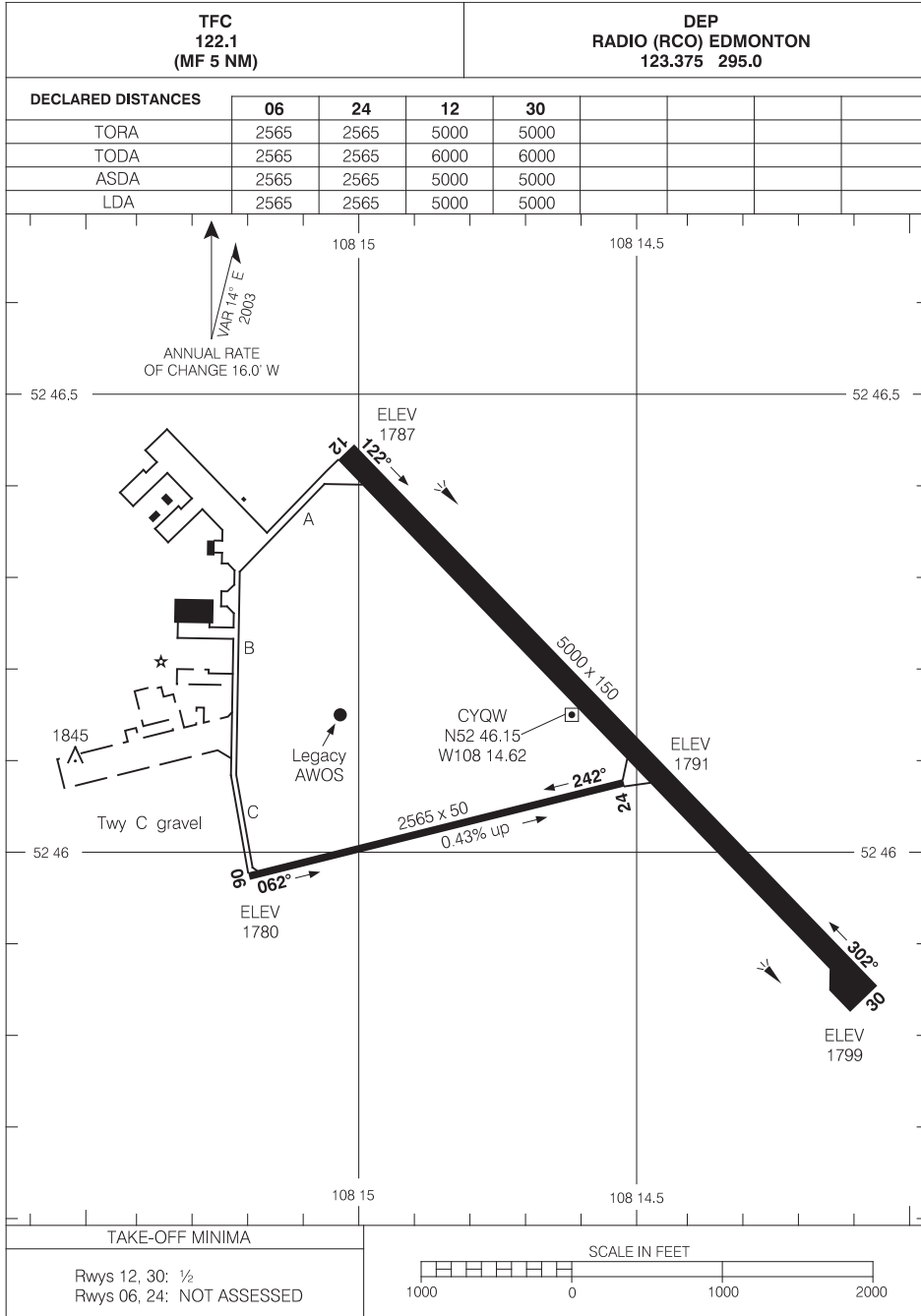
# AERODROME CHART

NIPAWIN SK  
NIPAWIN  
NAD83

EFF 17 DEC 09 CHANGE: Beacon moved

# AERODROME CHART

NORTH BATTLEFORD (CAMERON MCINTOSH)  
NORTH BATTLEFORD SK



Source of Canadian Civil Aeronautical Data : © 2010 NAV CANADA All rights reserved

# AERODROME CHART

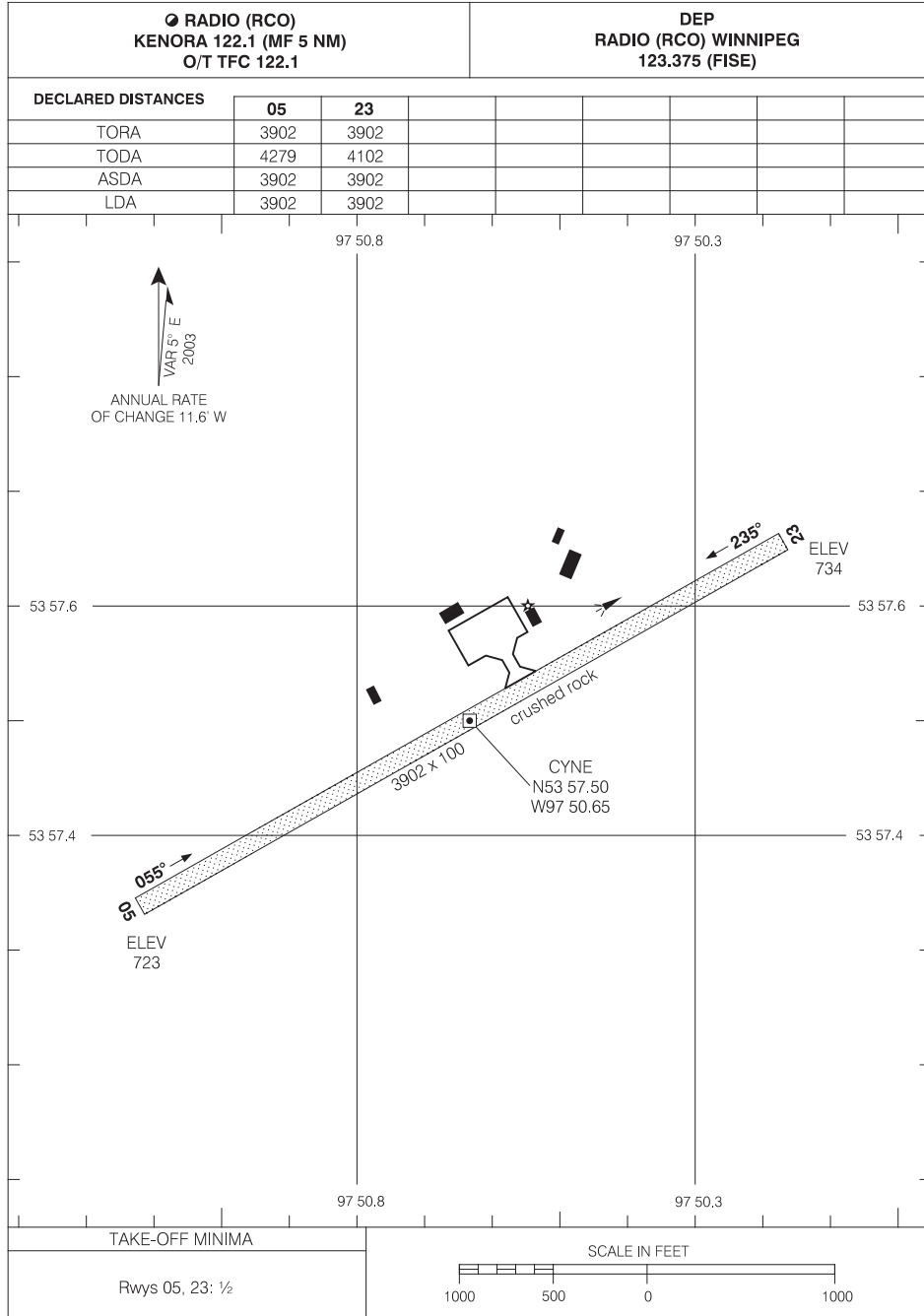
NORTH BATTLEFORD SK  
NORTH BATTLEFORD (CAMERON MCINTOSH)

EFF 27 AUG 09 CHANGE: Declared distances

NAD83

# AERODROME CHART

NORWAY HOUSE  
NORWAY HOUSE MB



Source of Canadian Civil Aeronautical Data : © 2010 NAV CANADA All rights reserved

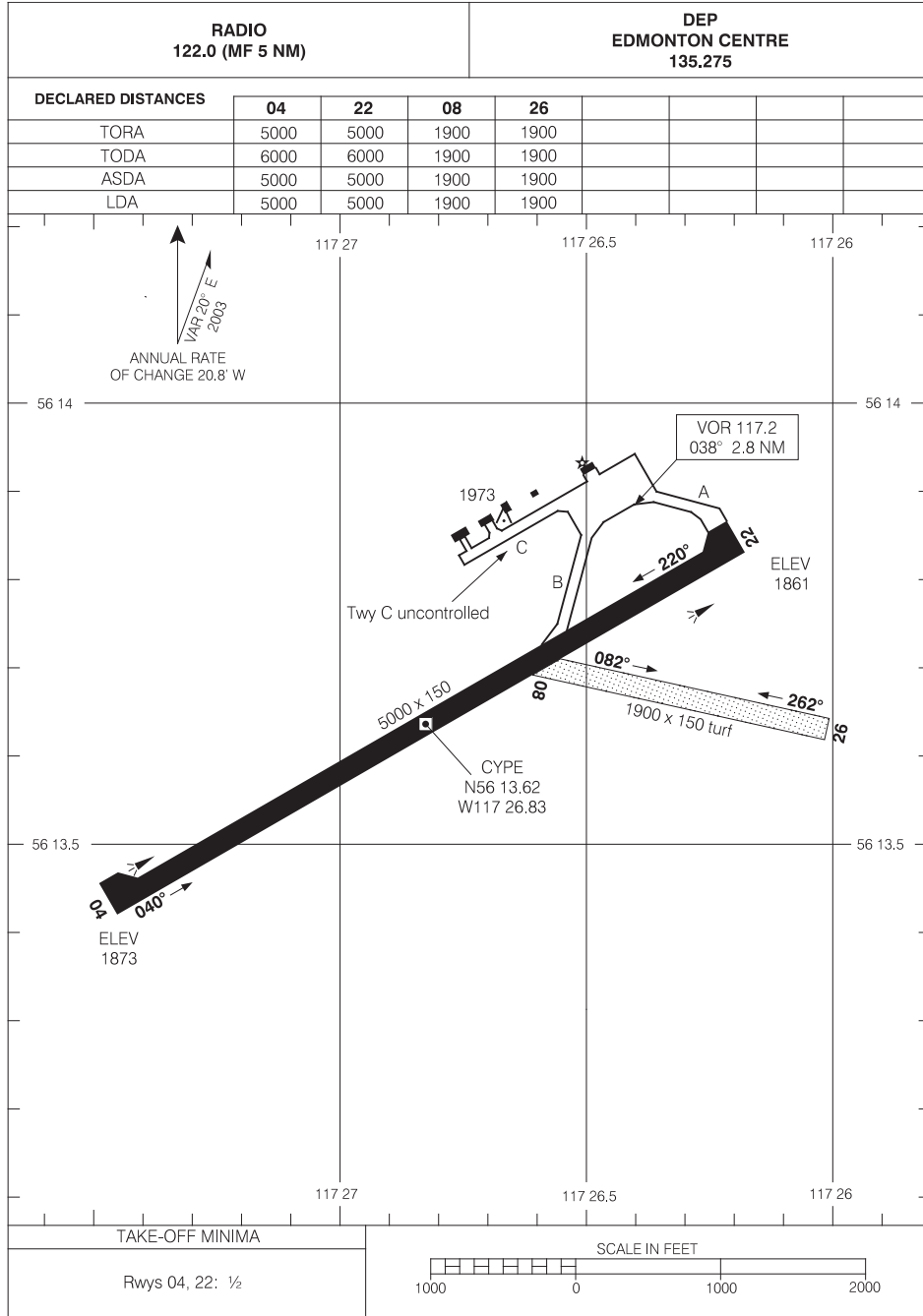
# AERODROME CHART

NORWAY HOUSE MB  
NORWAY HOUSE  
NAD83

EFF 11 FEB 10 CHANGE: Rwy length, declared distances

# AERODROME CHART

PEACE RIVER  
PEACE RIVER AB



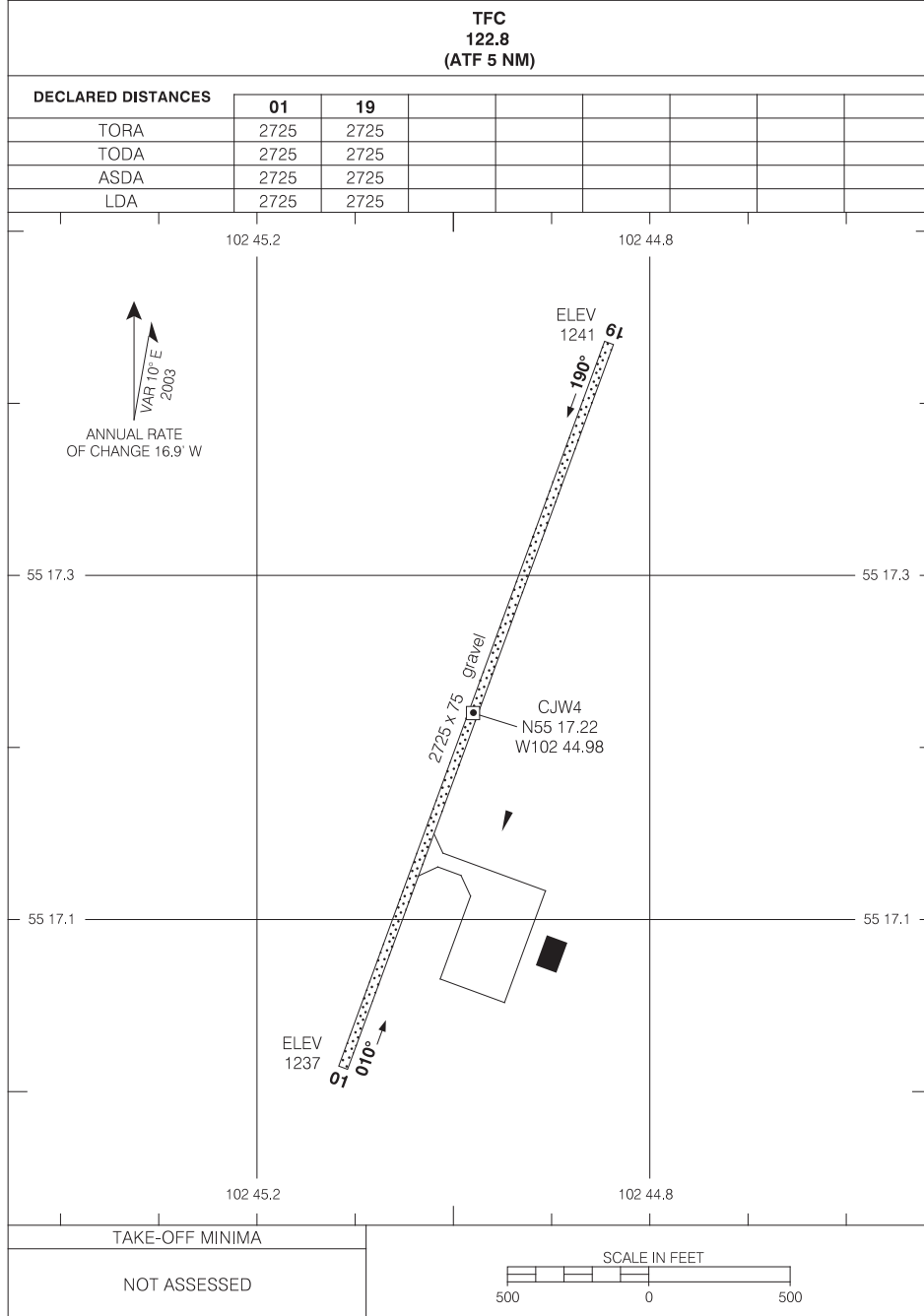
# AERODROME CHART

PEACE RIVER AB  
PEACE RIVER  
NAD83

EFF 27 AUG 09 CHANGE: Declared distances

# AERODROME CHART

PELICAN NARROWS  
PELICAN NARROWS SK



# AERODROME CHART

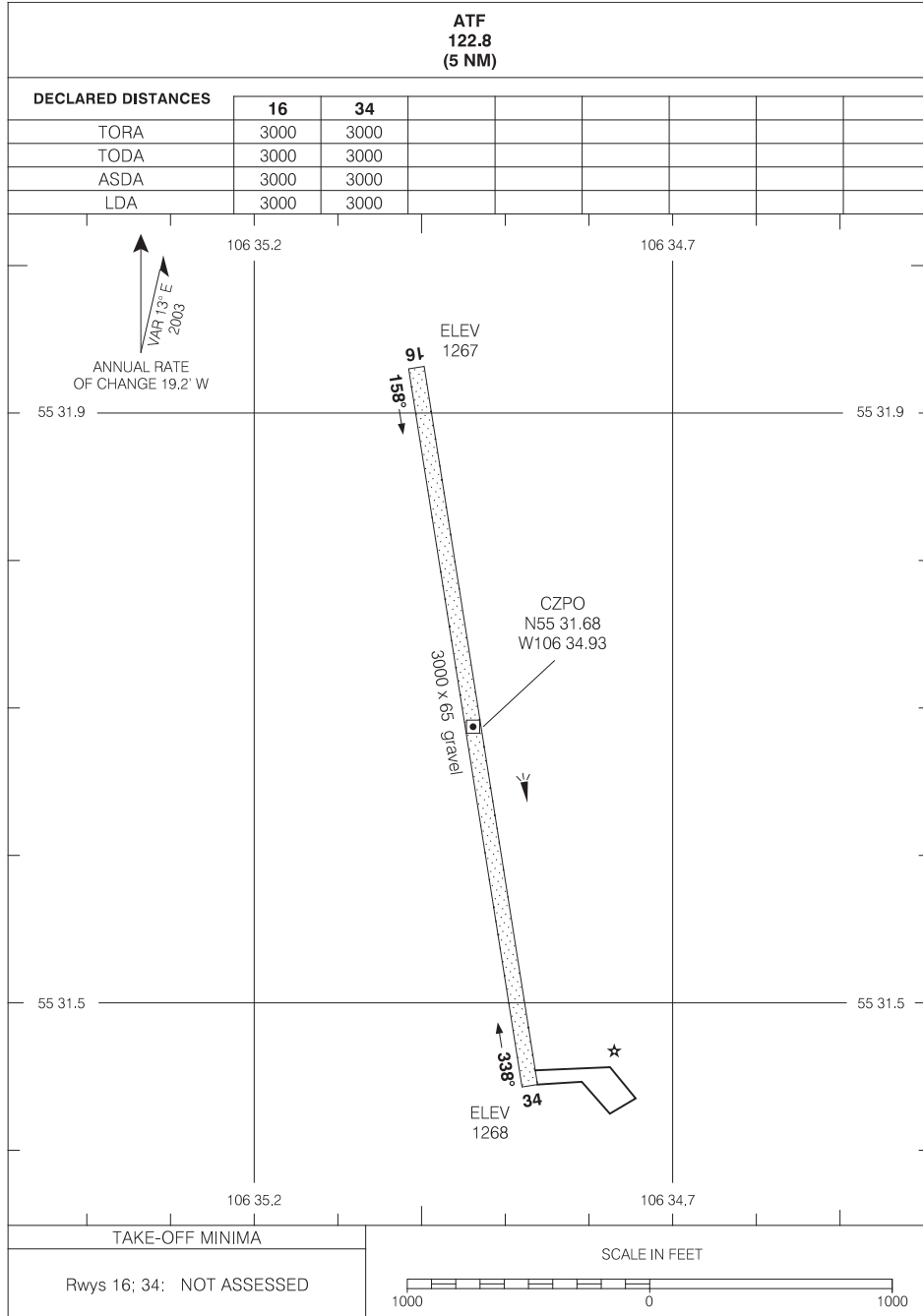
PELICAN NARROWS SK  
PELICAN NARROWS  
NAD83

EFF 13 APR 06 CHANGE: Declared distances; thld elevations



# AERODROME CHART

PINEHOUSE LAKE  
PINEHOUSE LAKE SK



# AERODROME CHART

PINEHOUSE LAKE SK  
PINEHOUSE LAKE  
NAD83

EFF 14 FEB 08 CHANGE: Runway surface

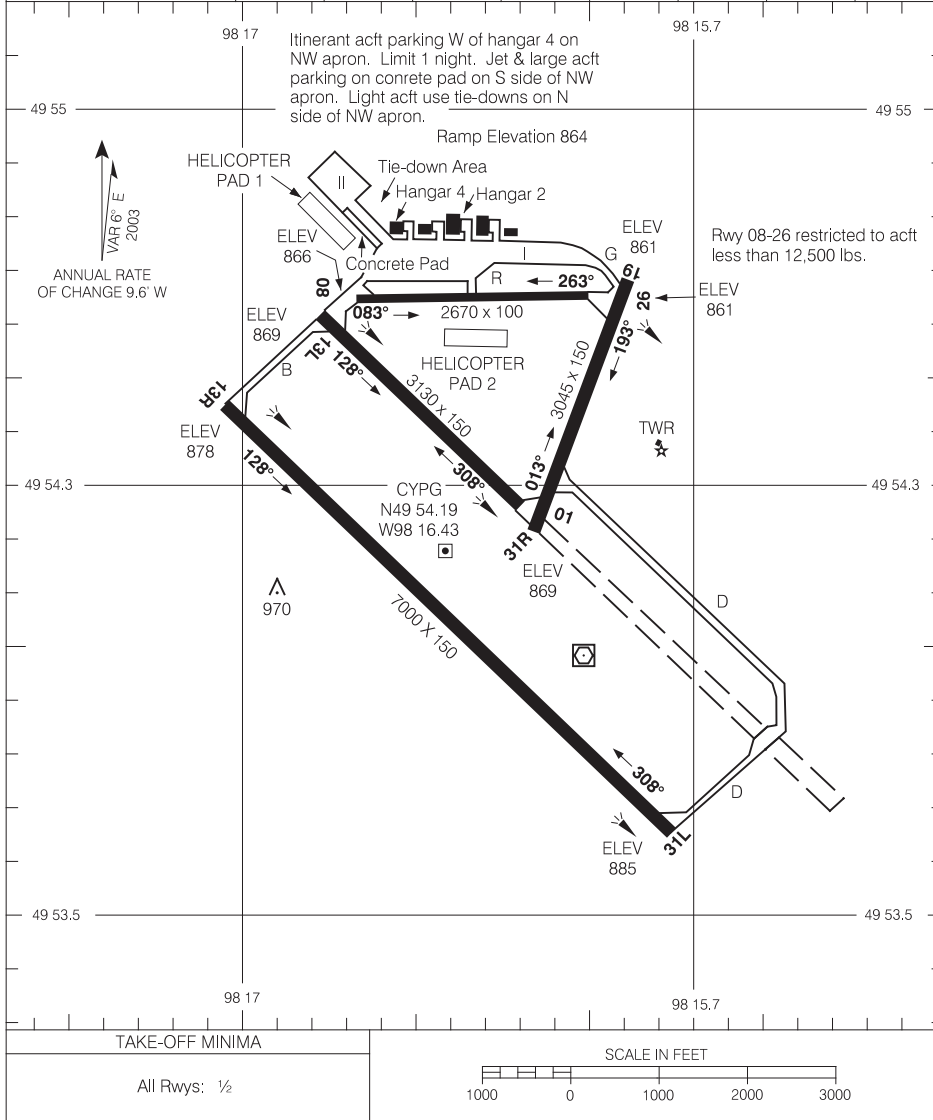


# AERODROME CHART

PORTAGE LA PRAIRIE/SOUTHPORT  
PORTAGE LA PRAIRIE MB

VOT 111.8	● ATIS 120.85	● TWR 126.2 384.2 O/T TFC 126.2 (ATF 10 NM)	● GND 121.7 275.8 O/T TFC 126.2	DEP WINNIPEG TML 121.0 341.3
--------------	------------------	---	---------------------------------------	------------------------------------

DECLARED DISTANCES	13R	31L	13L	31R	01	19	08	26
TORA	7000	7000	3130	3130	3045	3045	2520	2520
TODA	8000	8000	4130	4130	4045	4045	3520	3520
ASDA	7000	7000	3130	3130	3045	3045	2520	2520
LDA	7000	7000	3130	3130	3045	3045	2520	2520



Source of Canadian Civil Aeronautical Data : © 2010 NAV CANADA All rights reserved

# AERODROME CHART

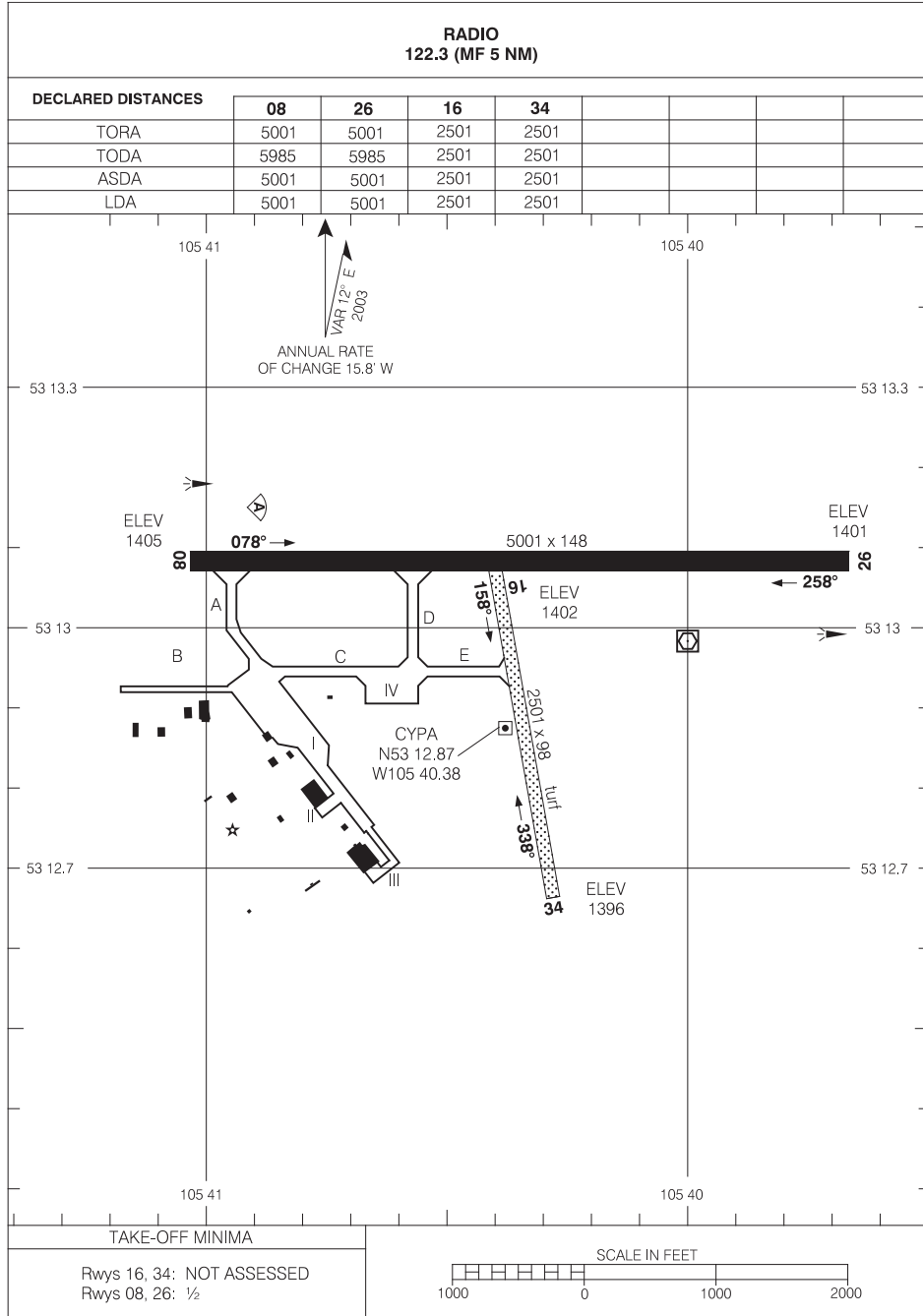
PORTAGE LA PRAIRIE MB  
PORTAGE LA PRAIRIE/SOUTHPORT

EFF 17 DEC 09 CHANGE: Rwy length, apron I & II

NAD83

# AERODROME CHART

PRINCE ALBERT (GLASS FIELD)  
PRINCE ALBERT SK



Source of Canadian Civil Aeronautical Data : © 2010 NAV CANADA All rights reserved

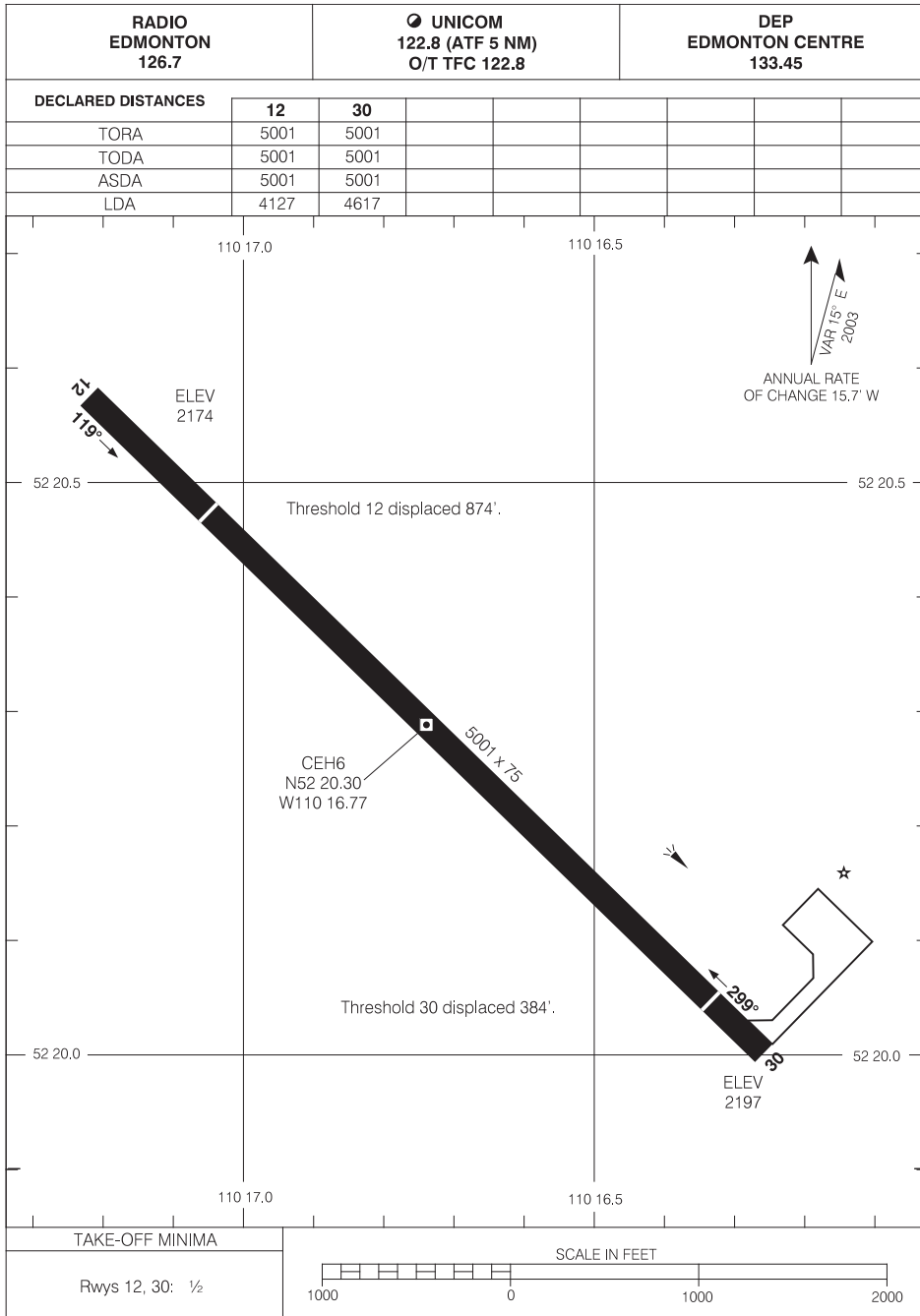
# AERODROME CHART

PRINCE ALBERT SK  
PRINCE ALBERT (GLASS FIELD)  
NAD83

EFF 27 AUG 09      CHANGE: Revised

# AERODROME CHART

PROVOST  
PROVOST AB



# AERODROME CHART

PROVOST AB  
PROVOST  
NAD83

EFF 14 FEB 08 CHANGE: NDB deleted

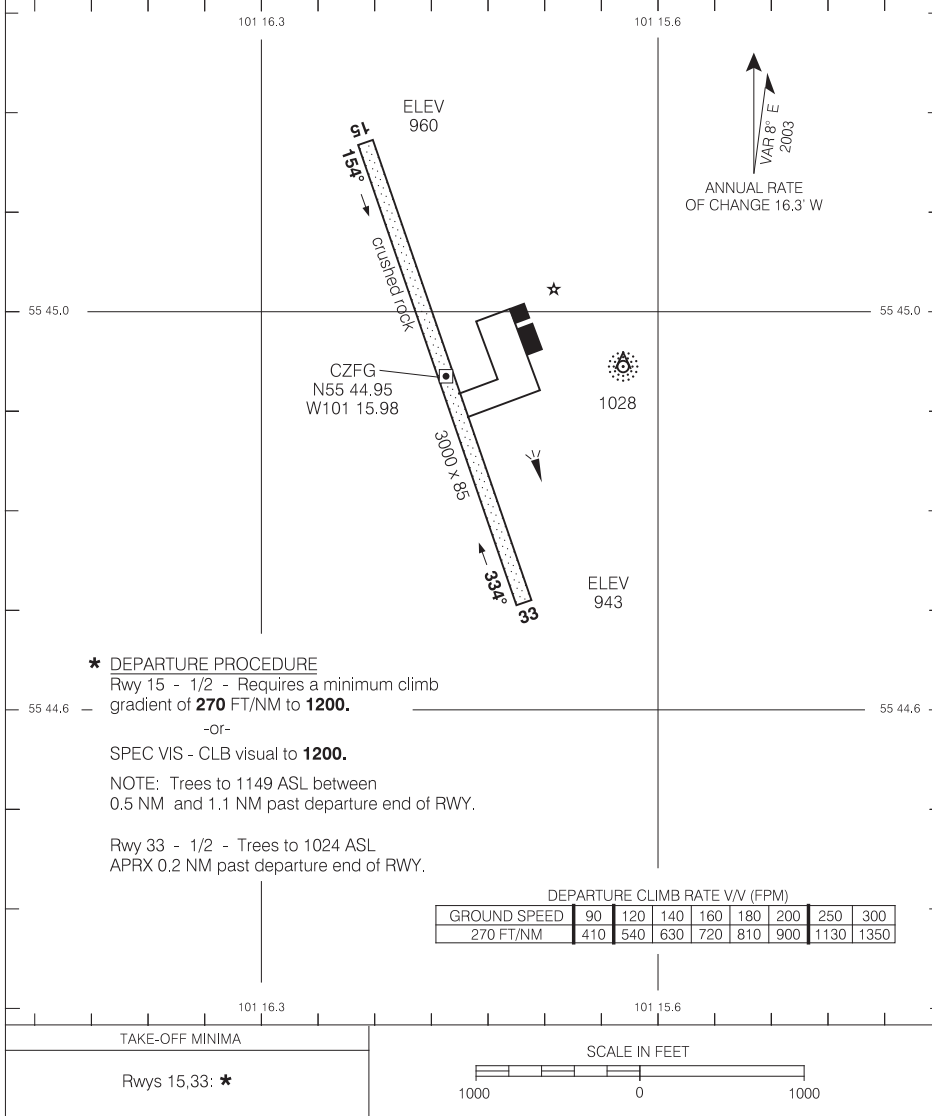
# AERODROME CHART

PUKATAWAGAN  
PUKATAWAGAN MB

UNICOM 122.8 (ATF 5 NM)  
O/T TFC 122.8

**DECLARED DISTANCES**

	15	33					
TORA	3000	3000					
TODA	3200	3200					
ASDA	3000	3000					
LDA	3000	3000					



Source of Canadian Civil Aeronautical Data : © 2010 NAV CANADA All rights reserved

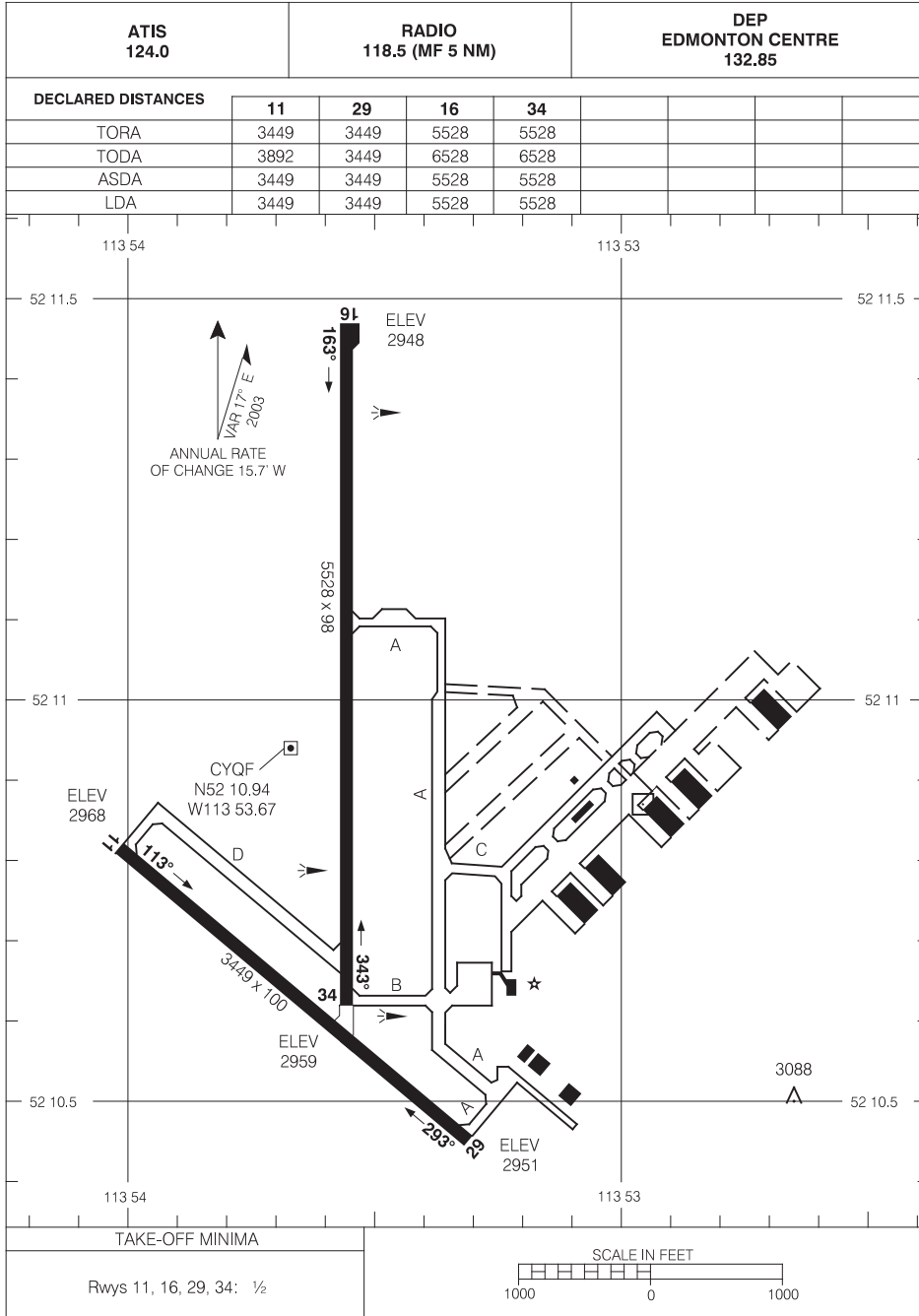
# AERODROME CHART

PUKATAWAGAN MB  
PUKATAWAGAN  
NAD83

EFF 10 APR 08 CHANGE: New chart

# AERODROME CHART

RED DEER REGIONAL  
RED DEER AB



Source of Canadian Civil Aeronautical Data : © 2010 NAV CANADA All rights reserved

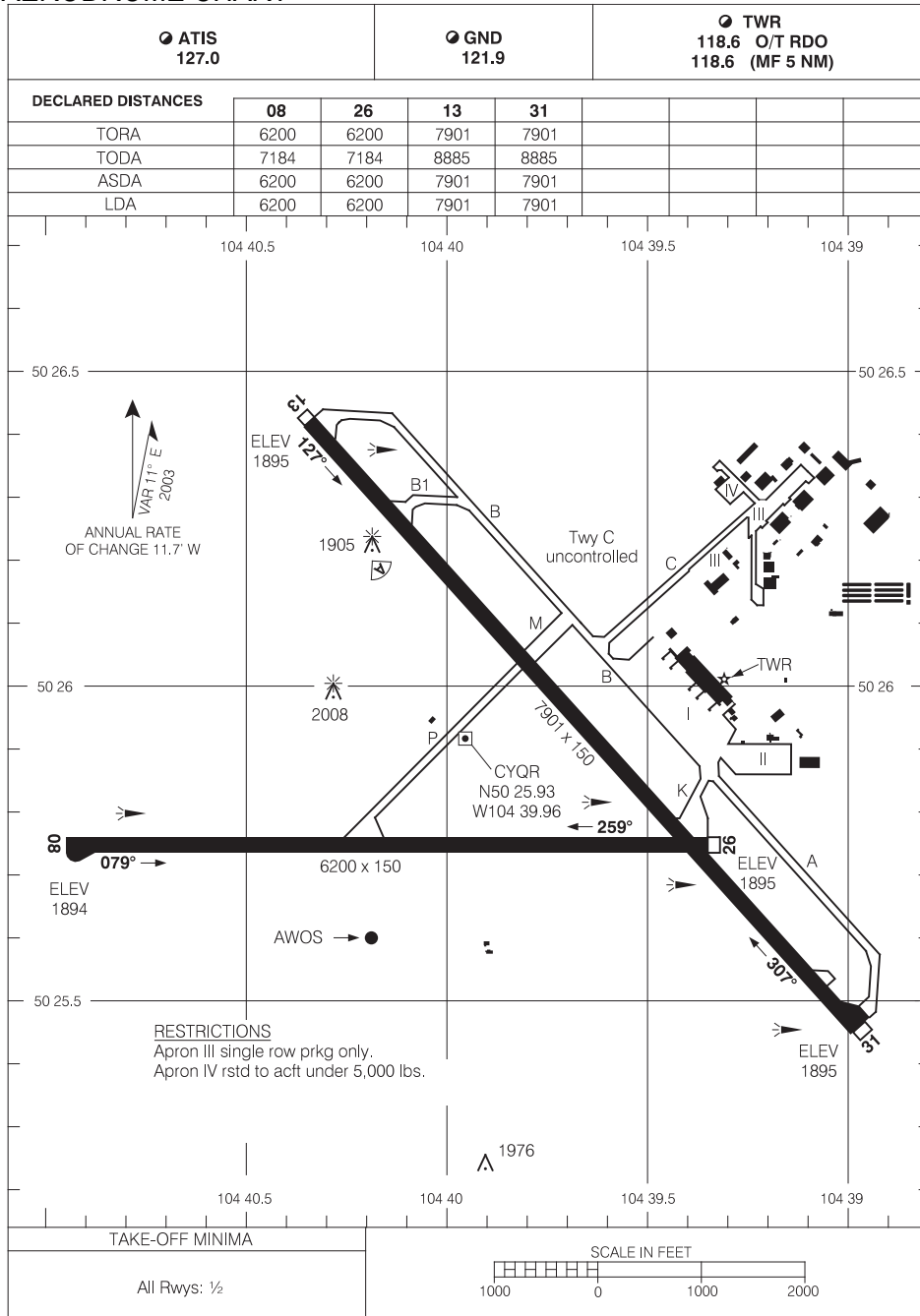
# AERODROME CHART

RED DEER AB  
RED DEER REGIONAL  
NAD83

EFF 17 DEC 09 CHANGE: Taxiway

# AERODROME CHART

REGINA INTL  
REGINA SK



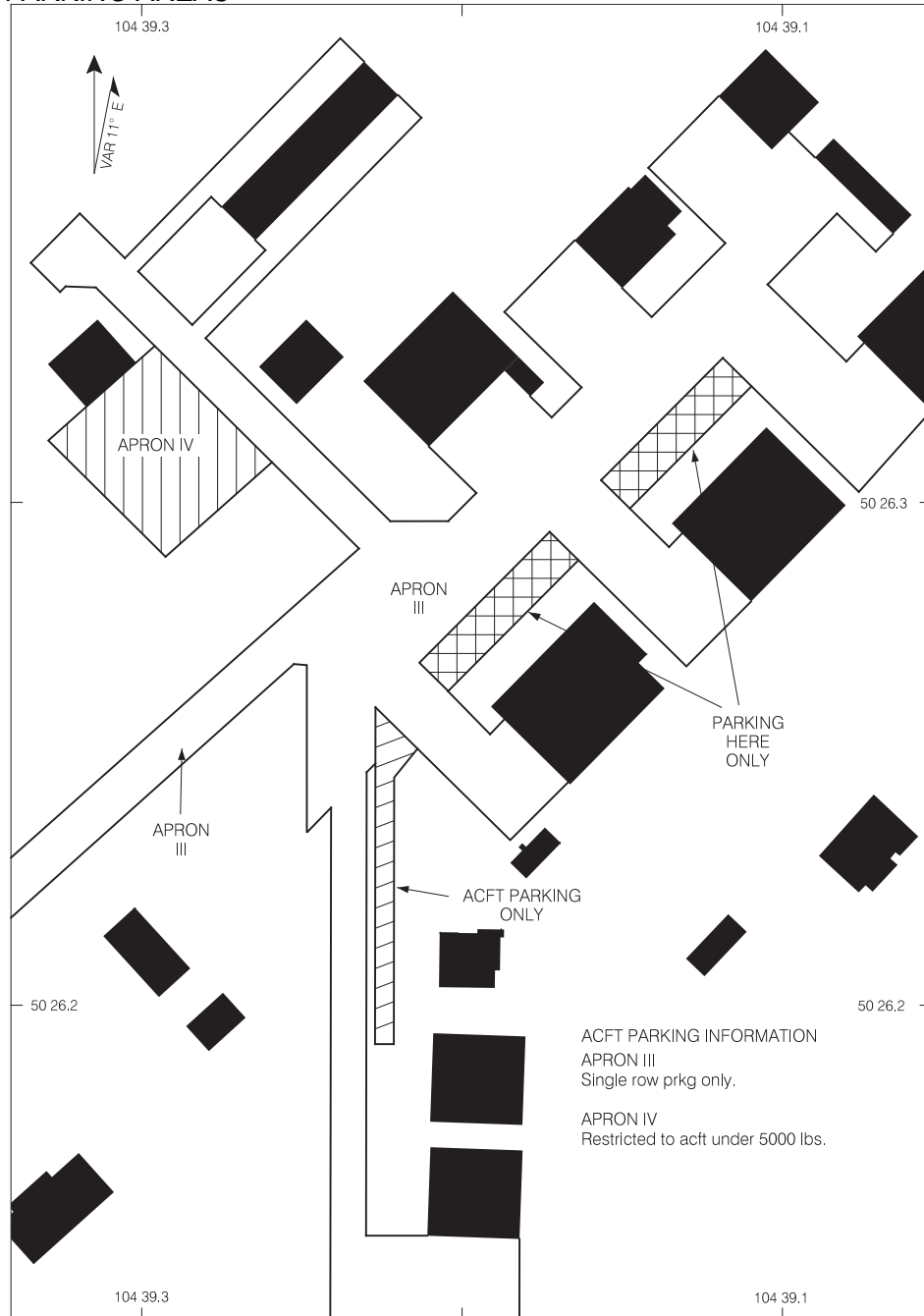
# AERODROME CHART

REGINA SK  
REGINA INTL  
NAD83

EFF 22 OCT 09 CHANGE: Restrictions

# PARKING AREAS

REGINA INTL  
REGINA SK



Source of Canadian Civil Aeronautical Data : © 2010 NAV CANADA All rights reserved

# PARKING AREAS

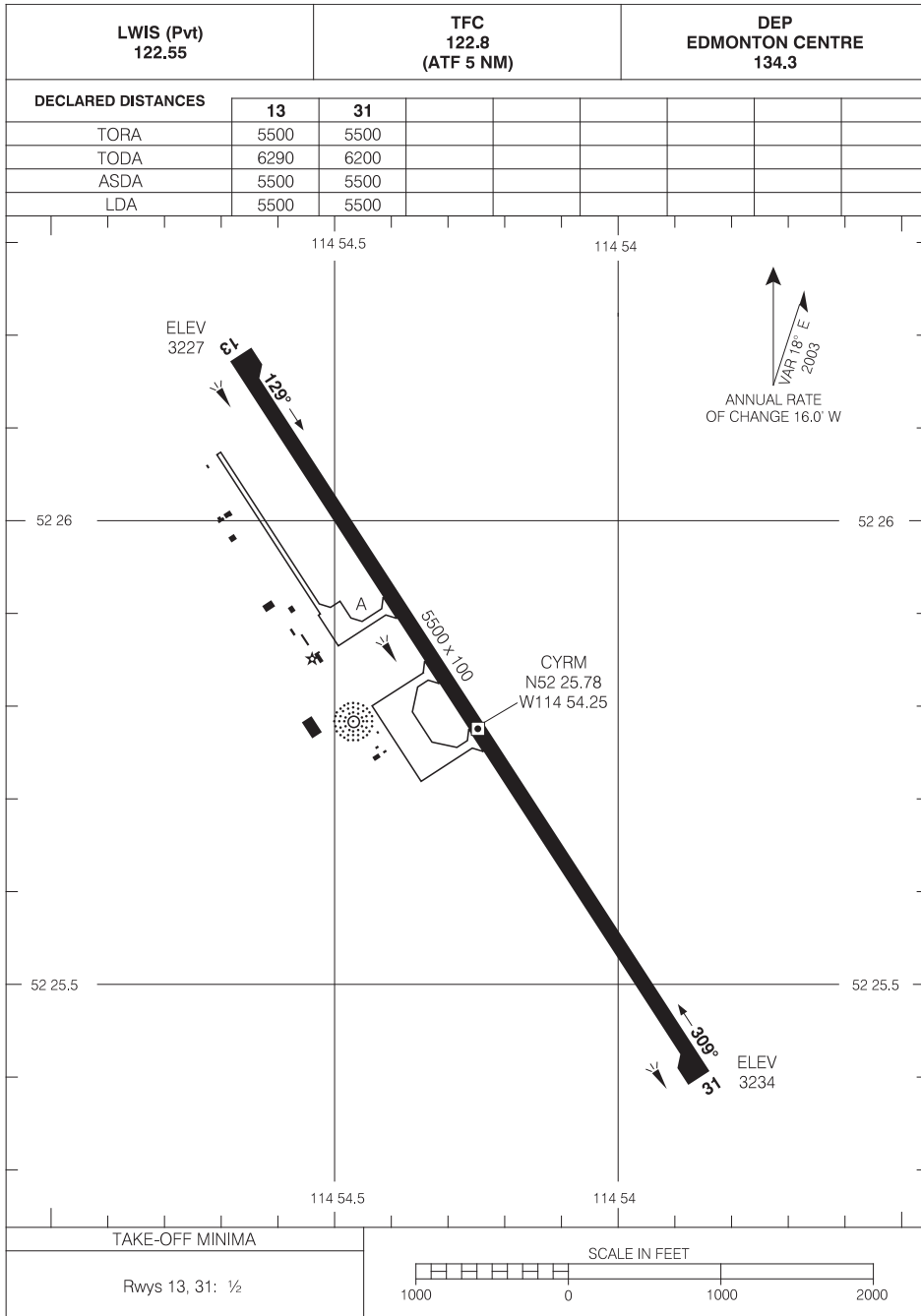
REGINA SK  
REGINA INTL  
NAD83

EFF 22 OCT 09

CHANGE: Buildings added, acft prkg info

# AERODROME CHART

ROCKY MTN HOUSE  
ROCKY MTN HOUSE AB



Source of Canadian Civil Aeronautical Data : © 2010 NAV CANADA All rights reserved

# AERODROME CHART

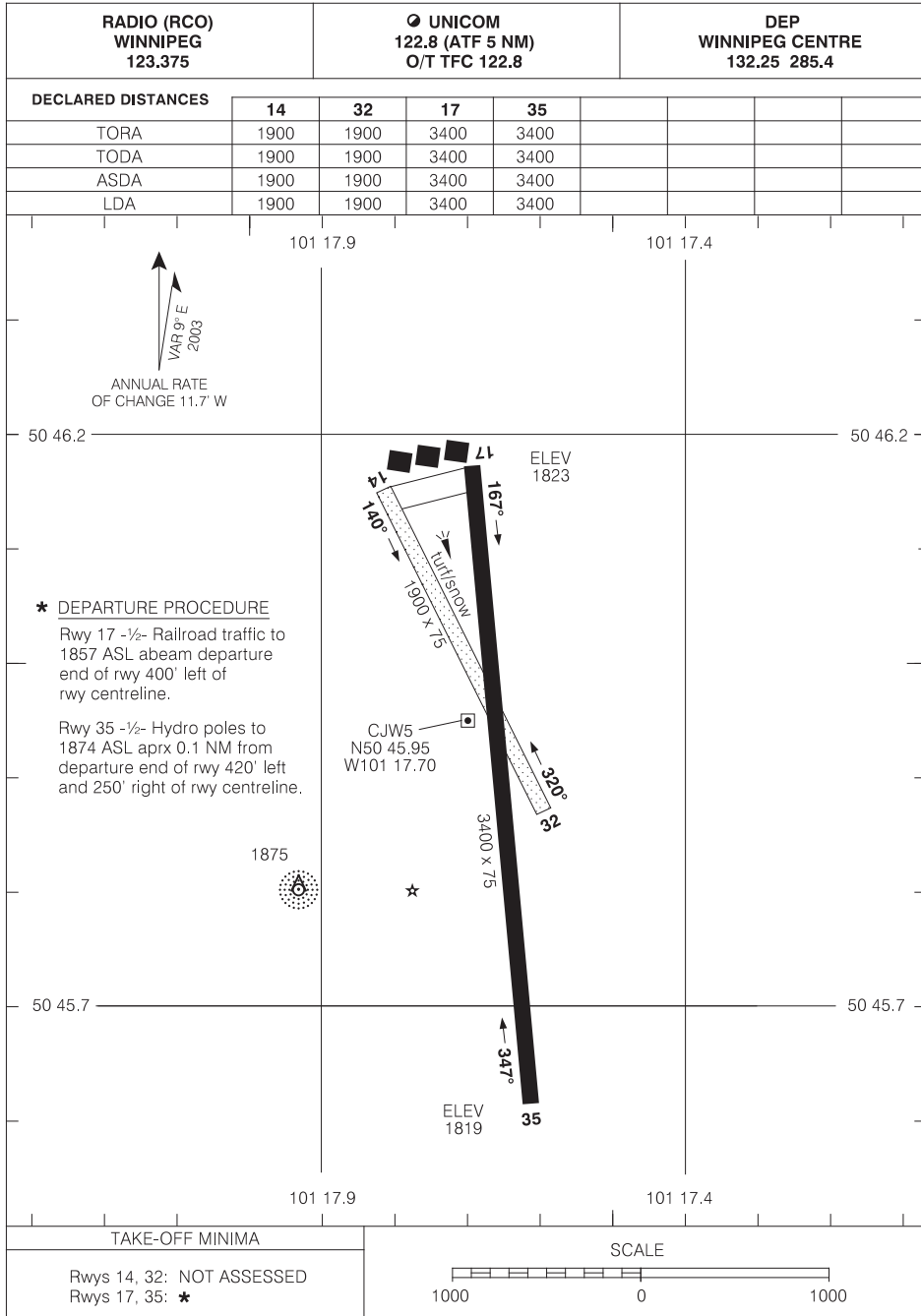
ROCKY MTN HOUSE AB  
ROCKY MTN HOUSE  
NAD83

EFF 10 MAY 07      CHANGE: COMM; LWIS (PVT)



# AERODROME CHART

RUSSELL  
RUSSELL MB



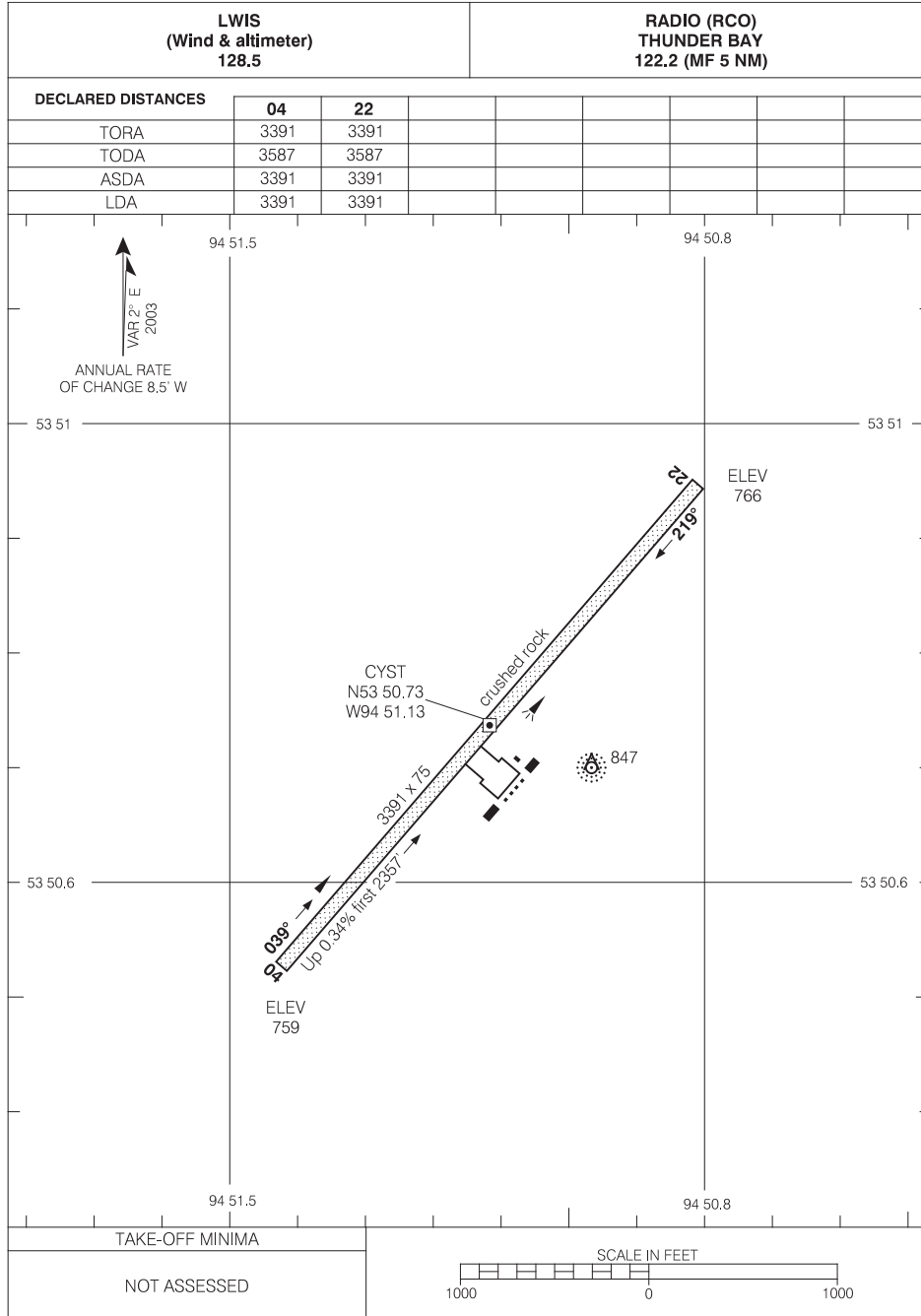
# AERODROME CHART

RUSSELL MB  
RUSSELL  
NAD83

EFF 27 AUG 09 CHANGE: Declared distances

# AERODROME CHART

ST THERESA POINT  
ST THERESA POINT MB



Source of Canadian Civil Aeronautical Data : © 2010 NAV CANADA All rights reserved

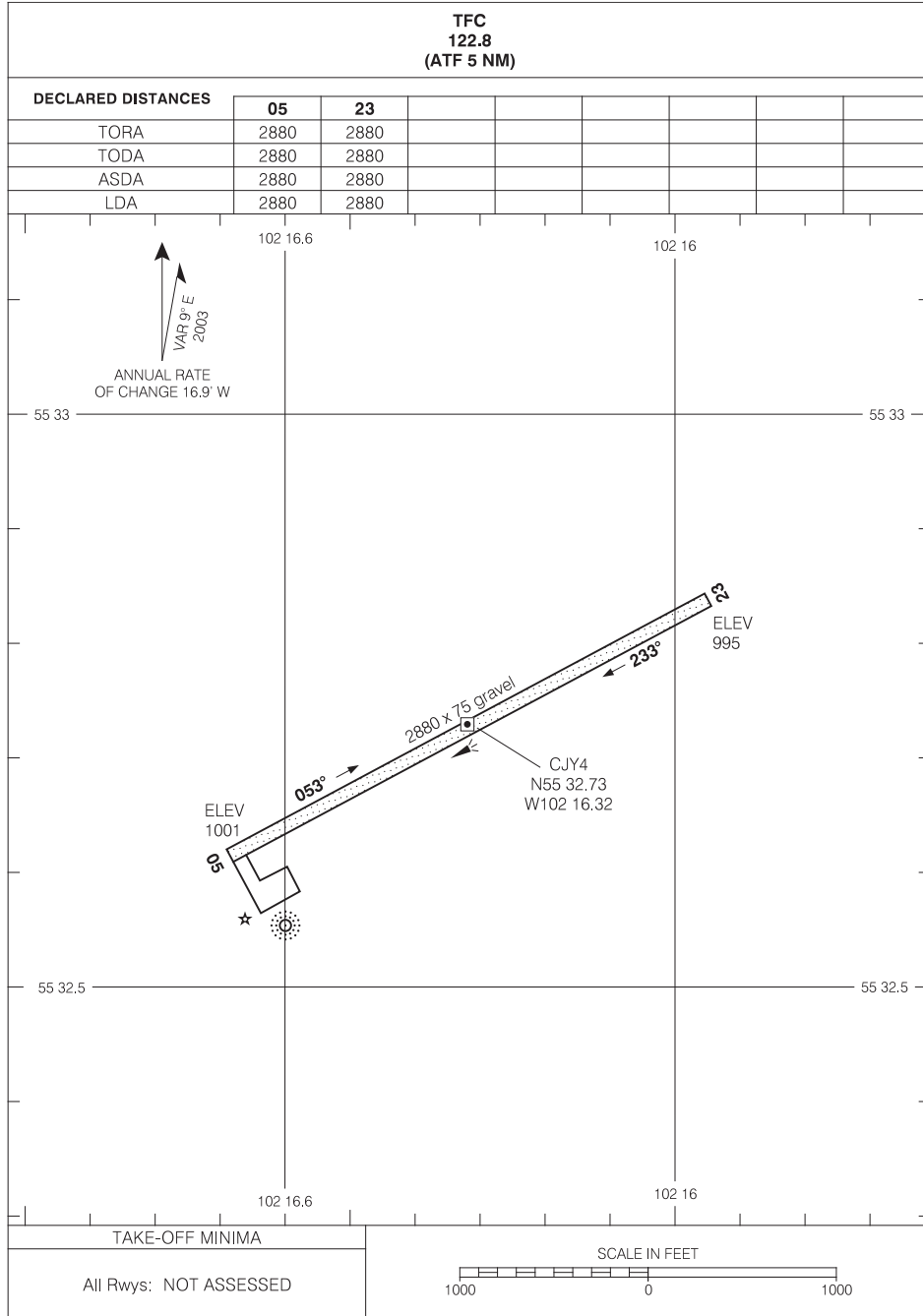
# AERODROME CHART

ST THERESA POINT MB  
ST THERESA POINT  
NAD83

EFF 17 DEC 09 CHANGE: Revised

# AERODROME CHART

SANDY BAY  
SANDY BAY SK



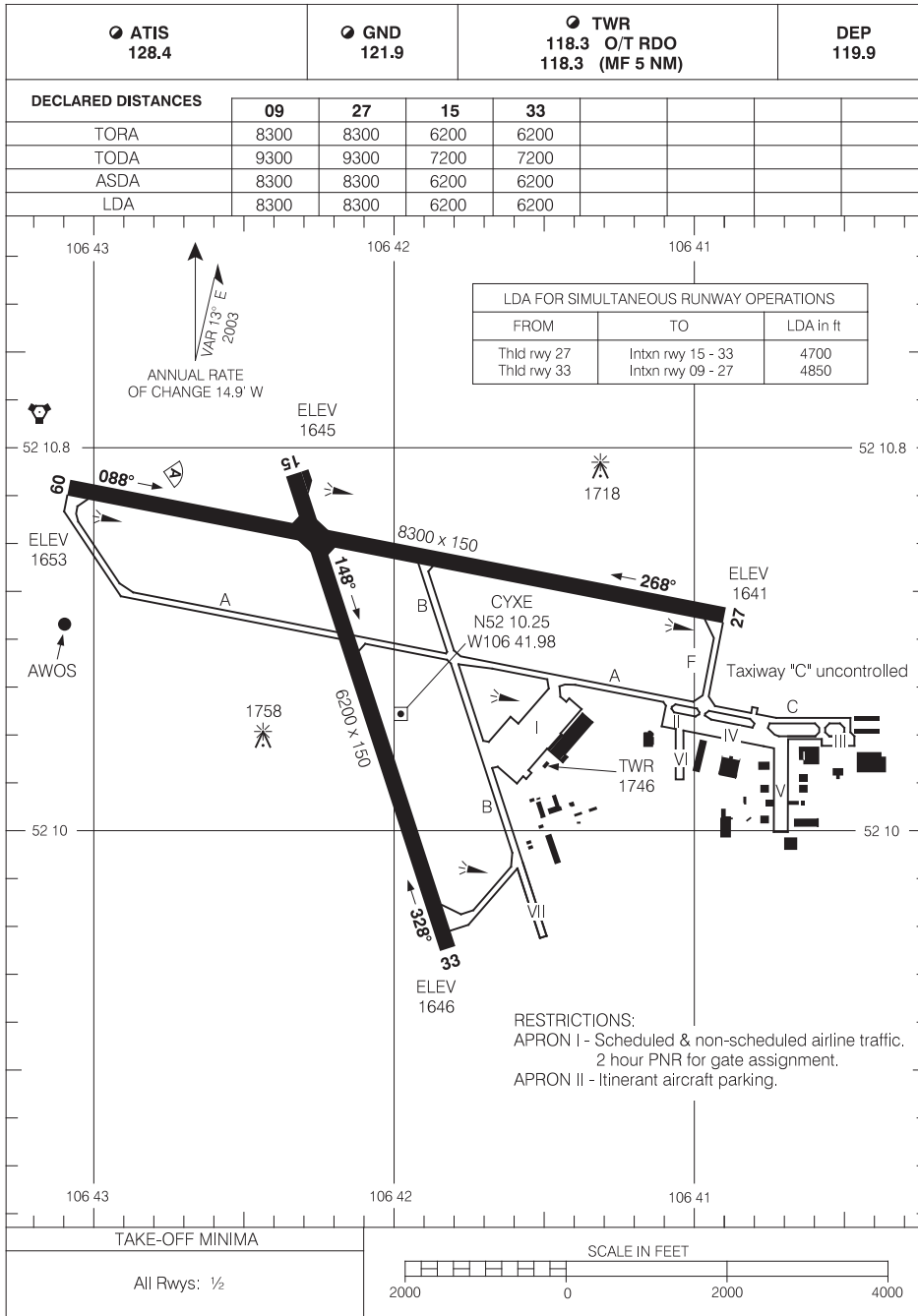
# AERODROME CHART

SANDY BAY SK  
SANDY BAY  
NAD83

EFF 11 FEB 10 CHANGE: Windsock removed

# AERODROME CHART

SASKATOON/JOHN G. DIEFENBAKER INTL  
SASKATOON SK



Source of Canadian Civil Aeronautical Data : © 2010 NAV CANADA All rights reserved

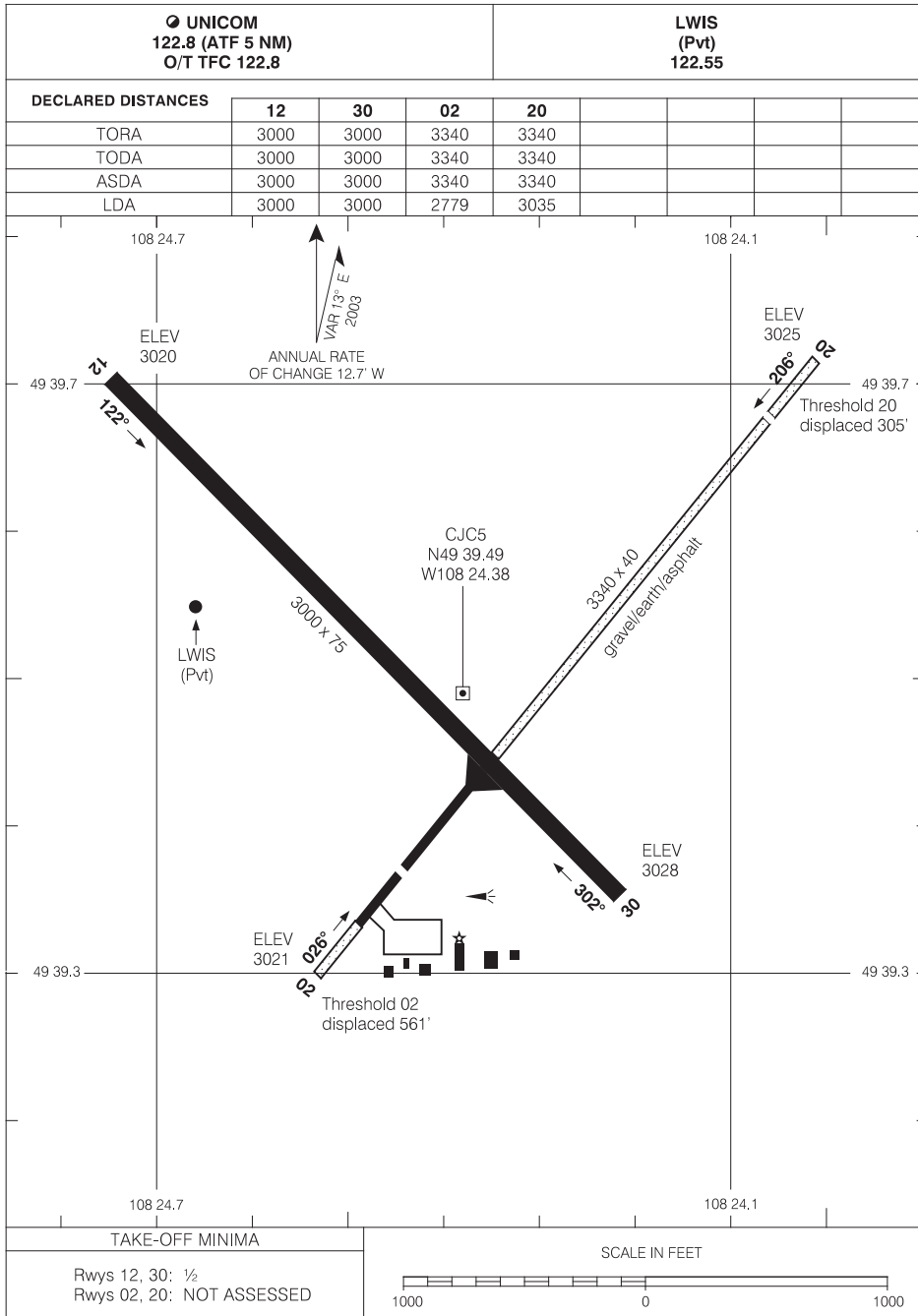
# AERODROME CHART

SASKATOON SK  
SASKATOON/JOHN G. DIEFENBAKER INTL  
NAD83

EFF 17 DEC 09 CHANGE: Revised

# AERODROME CHART

SHAUNAVON  
SHAUNAVON SK



# AERODROME CHART

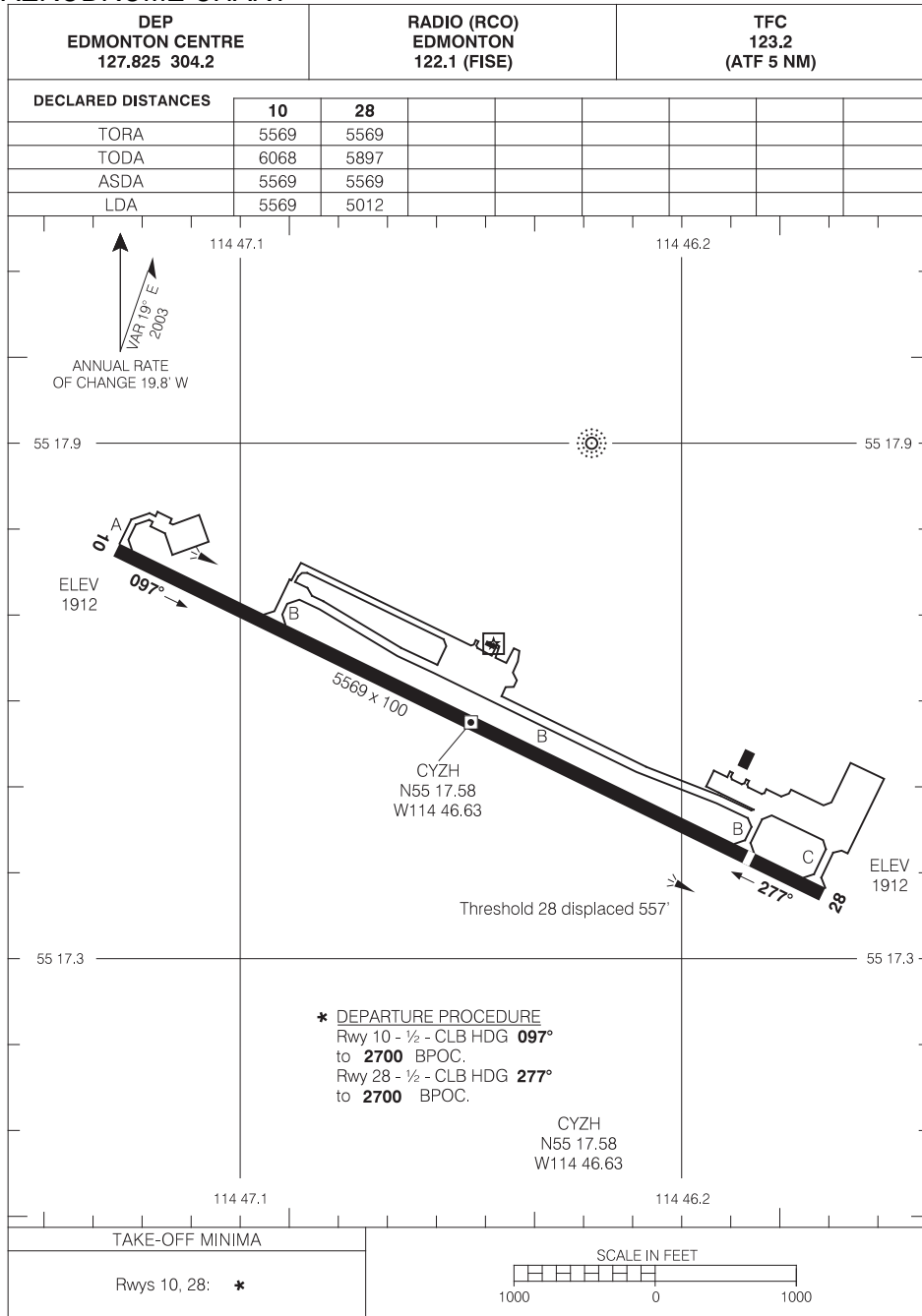
SHAUNAVON SK  
SHAUNAVON  
NAD83

EFF 20 NOV 08

CHANGE: LWIS

# AERODROME CHART

SLAVE LAKE  
SLAVE LAKE AB



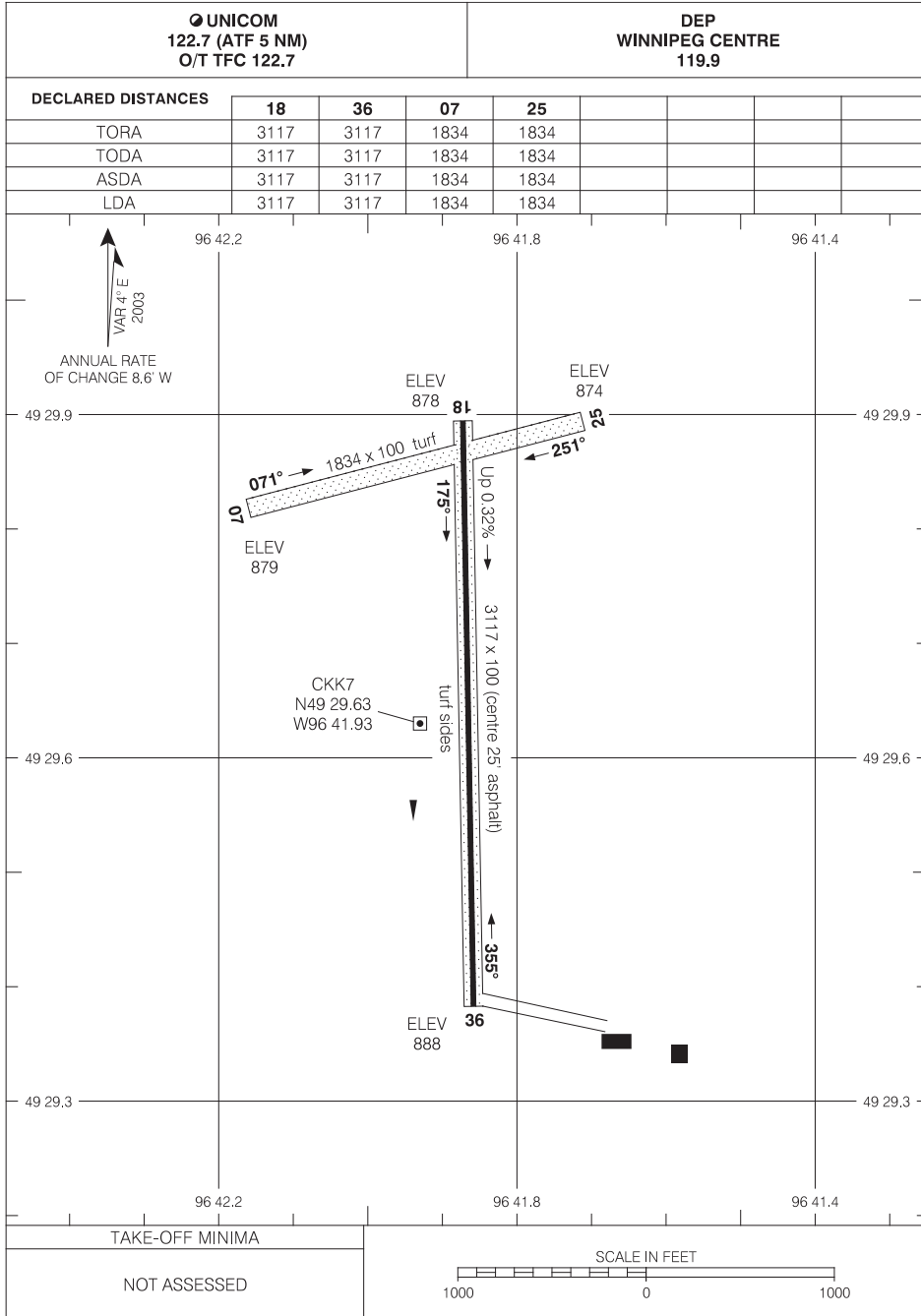
# AERODROME CHART

SLAVE LAKE AB  
SLAVE LAKE  
NAD83

EFF 11 FEB 10 CHANGE: Revised

# AERODROME CHART

STEINBACH (SOUTH)  
STEINBACH MB



# AERODROME CHART

STEINBACH MB  
STEINBACH (SOUTH)  
NAD83

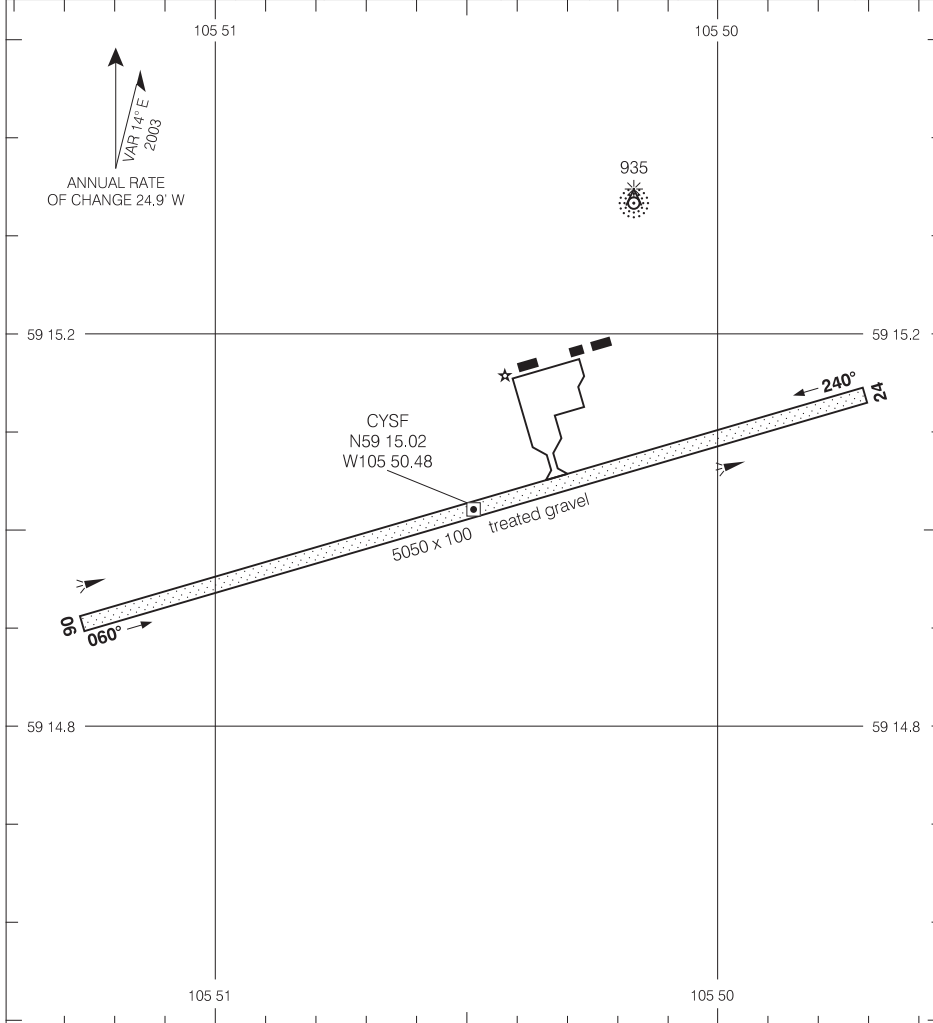
EFF 11 FEB 10 CHANGE: Rwy length, rwy slope, declared distances

# AERODROME CHART

STONY RAPIDS  
STONY RAPIDS SK

AWOS 128.75	☉ RADIO (RCO) REGINA 122.2 (MF 5 NM) O/T TFC 122.2	RADIO (RCO) EDMONTON 126.7 (FISE)	DEP EDMONTON CENTRE 124.475
----------------	--	---	-----------------------------------

DECLARED DISTANCES	06	24						
TORA	5050	5050						
TODA	6050	5550						
ASDA	5050	5050						
LDA	5050	5050						



Source of Canadian Civil Aeronautical Data : © 2010 NAV CANADA All rights reserved

TAKE-OFF MINIMA	SCALE IN FEET
NOT ASSESSED	1000 0 1000

# AERODROME CHART

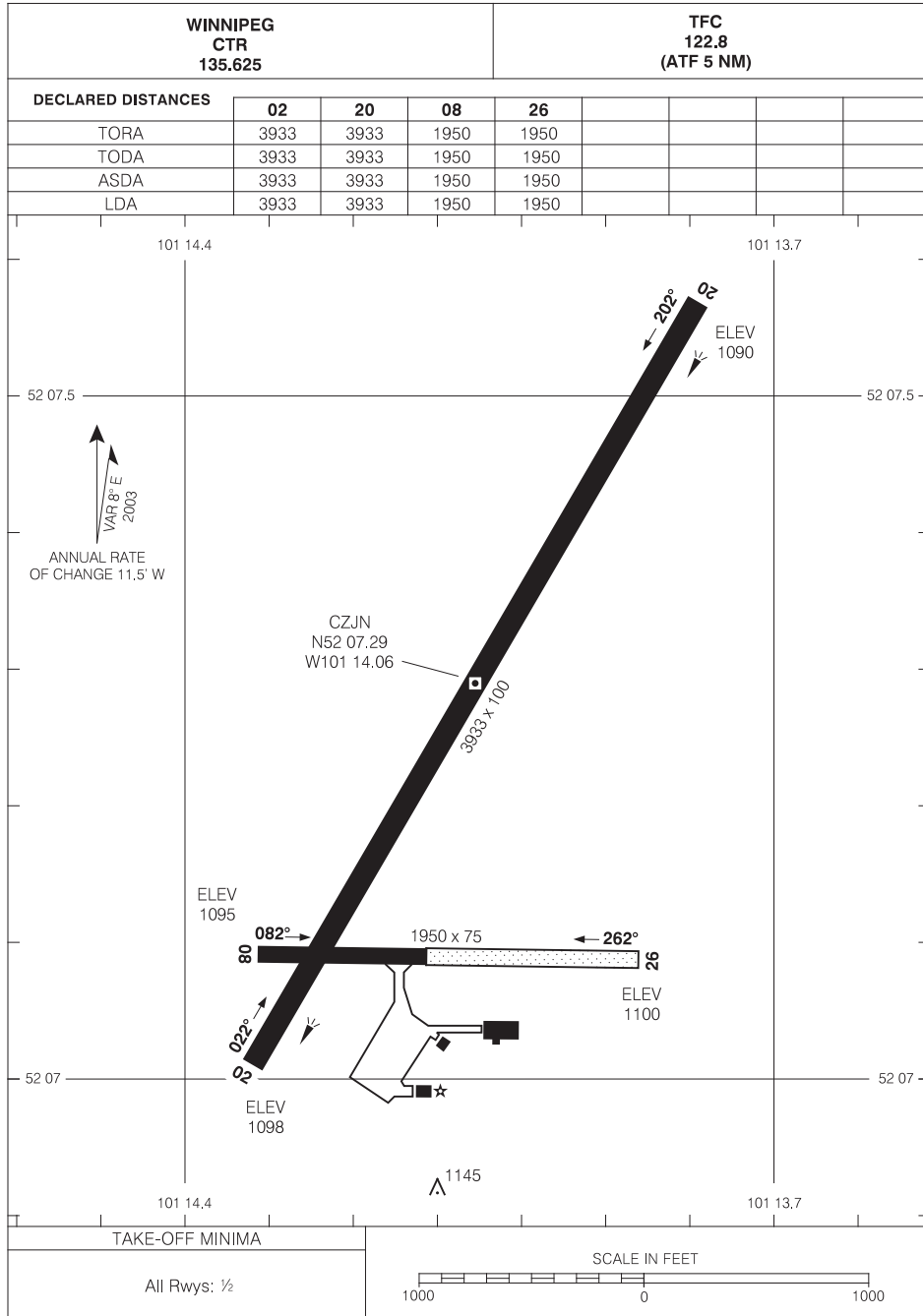
STONY RAPIDS SK  
STONY RAPIDS  
NAD83

EFF 11 FEB 10 CHANGE: Comm



# AERODROME CHART

SWAN RIVER  
SWAN RIVER MB



Source of Canadian Civil Aeronautical Data : © 2010 NAV CANADA All rights reserved

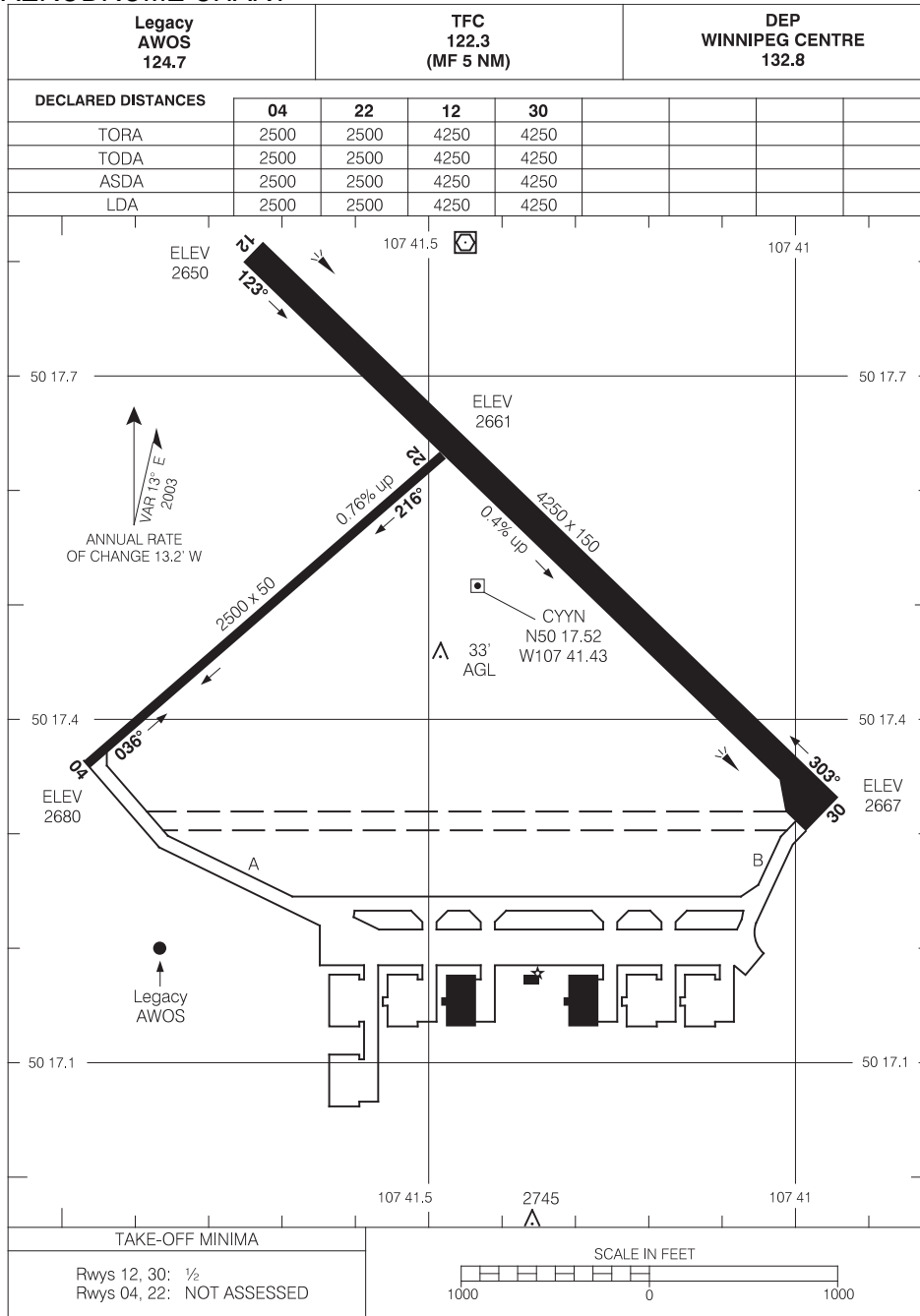
# AERODROME CHART

SWAN RIVER MB  
SWAN RIVER  
NAD83

EFF 22 OCT 09 CHANGE: Obst added

# AERODROME CHART

SWIFT CURRENT  
SWIFT CURRENT SK



Source of Canadian Civil Aeronautical Data : © 2010 NAV CANADA All rights reserved

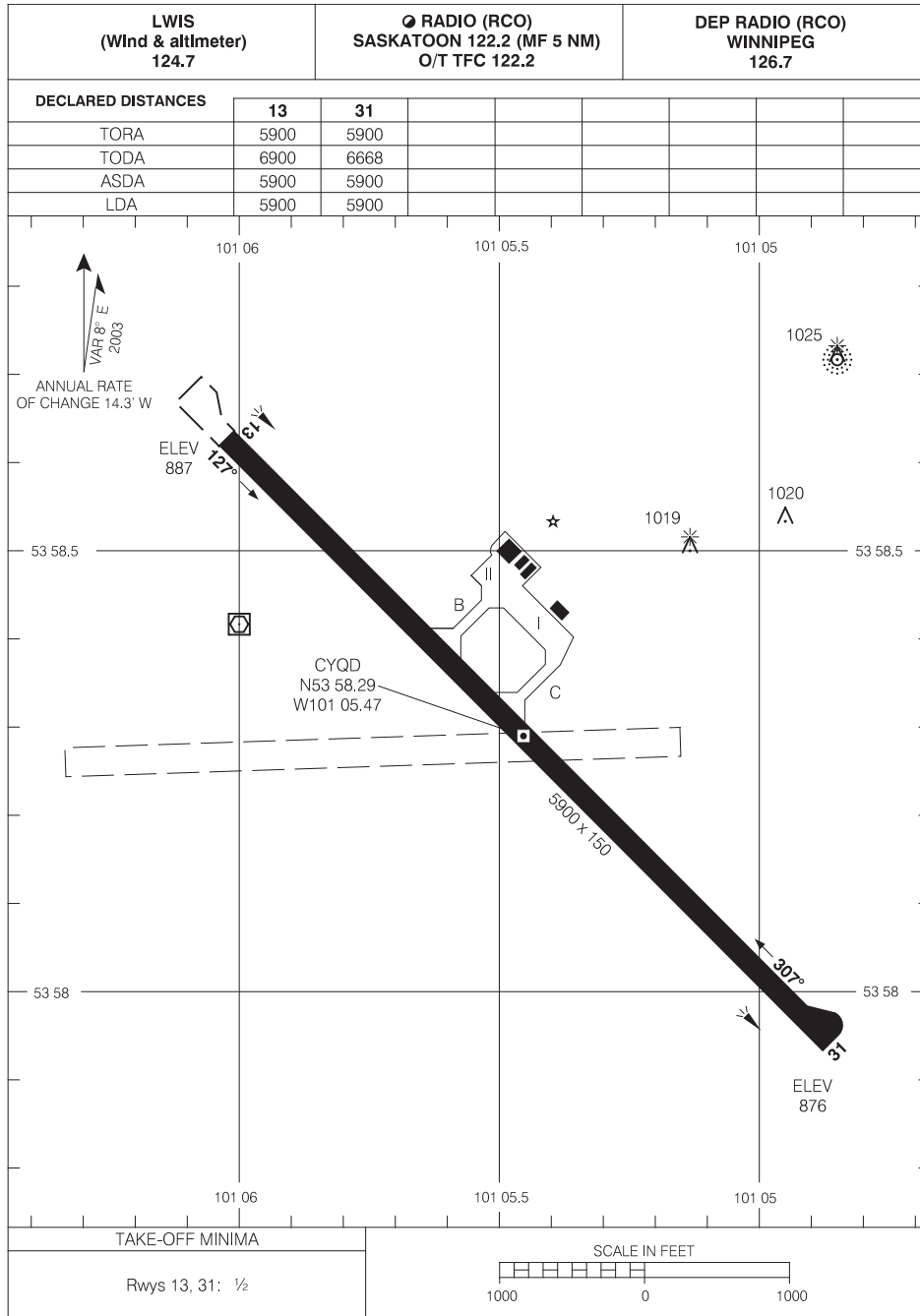
# AERODROME CHART

SWIFT CURRENT SK  
SWIFT CURRENT  
NAD83

EFF 27 AUG 09 CHANGE: Comm

# AERODROME CHART

THE PAS  
THE PAS MB



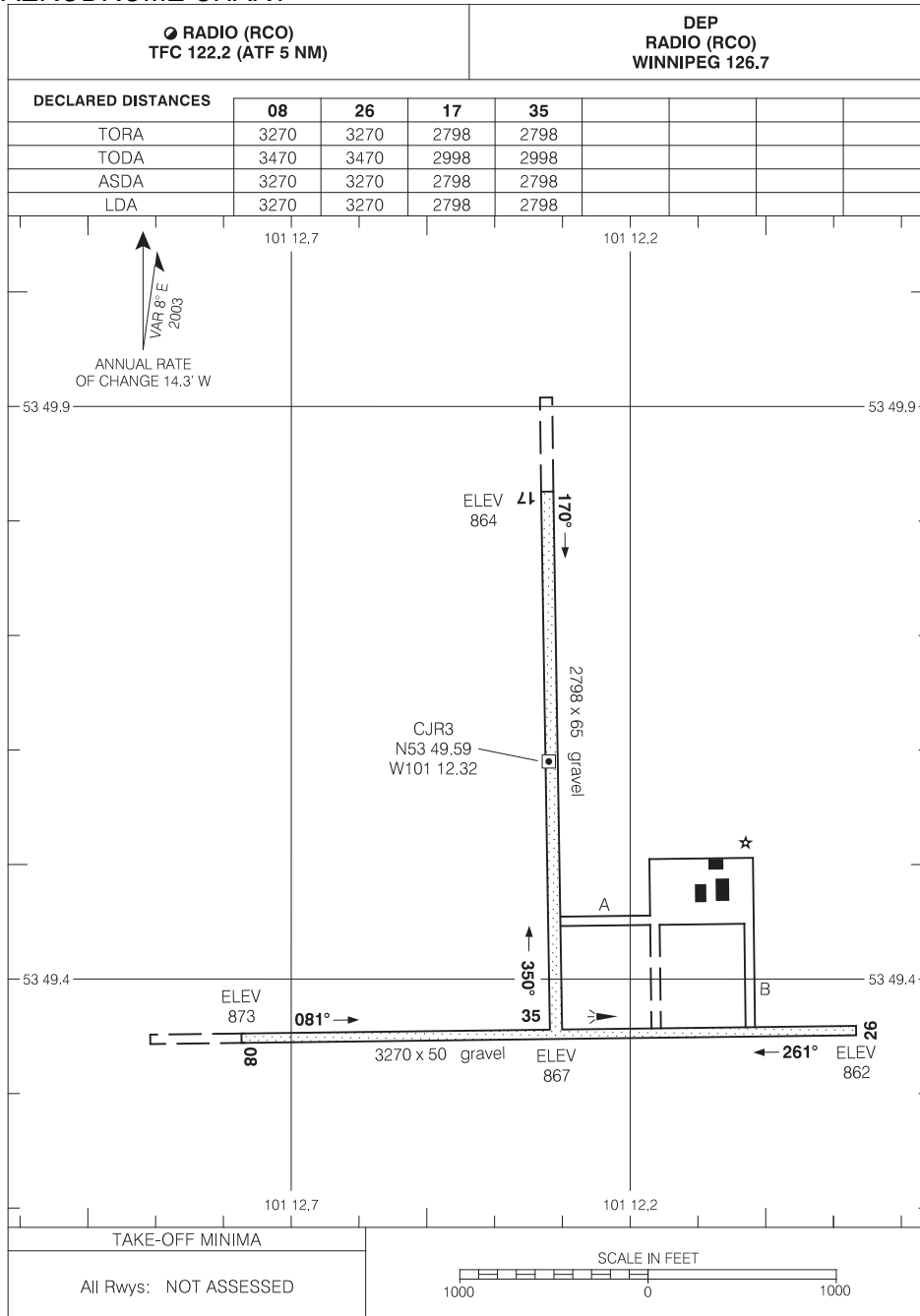
# AERODROME CHART

THE PAS MB  
THE PAS  
NAD83

EFF 27 AUG 09 CHANGE: Revised apron

# AERODROME CHART

THE PAS/GRACE LAKE  
THE PAS MB



Source of Canadian Civil Aeronautical Data : © 2010 NAV CANADA All rights reserved

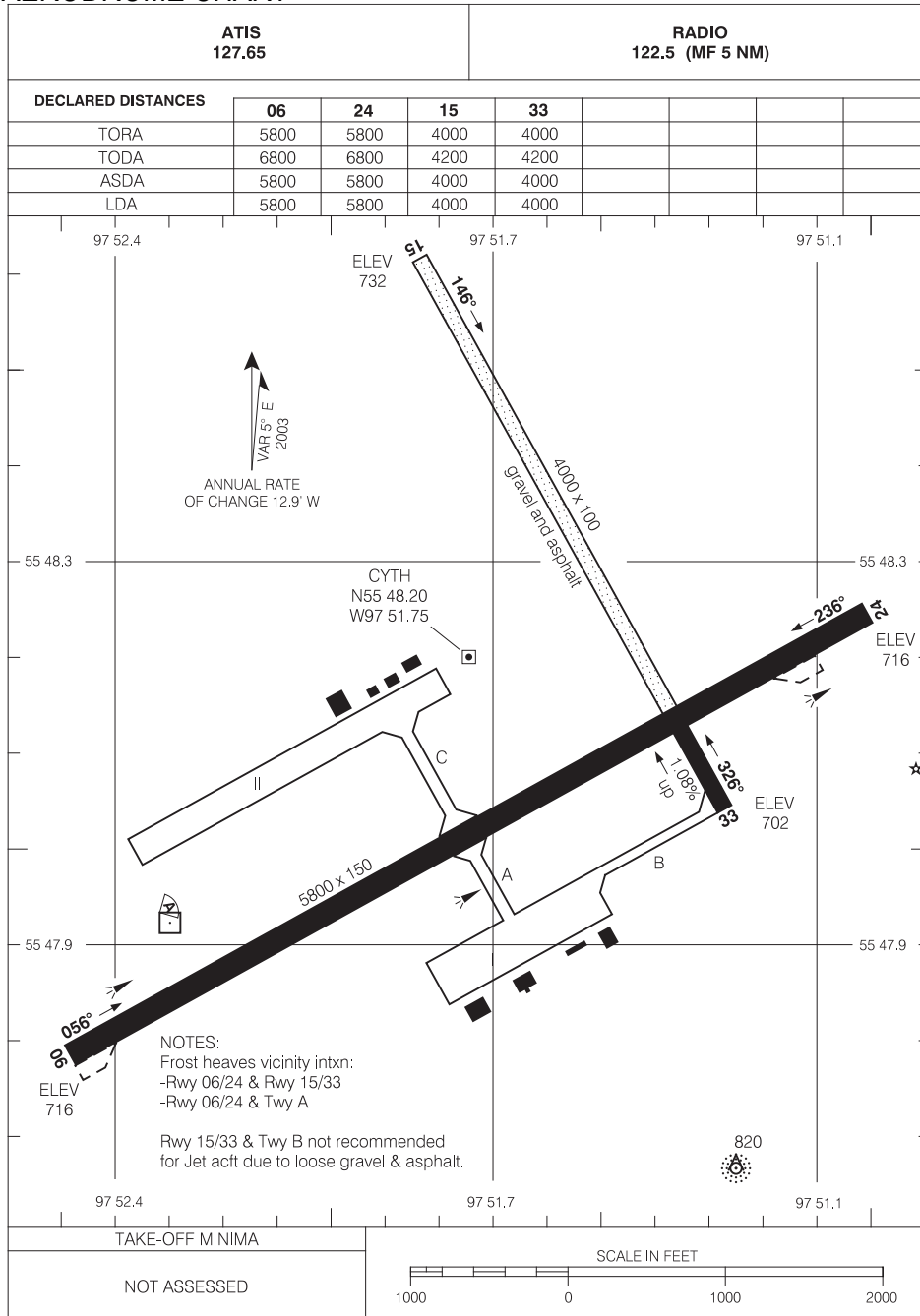
# AERODROME CHART

THE PAS MB  
THE PAS/GRACE LAKE  
NAD83

EFF 2 JUL 09 CHANGE: Rwy length, declared distances, rwy headings

# AERODROME CHART

THOMPSON  
THOMPSON MB



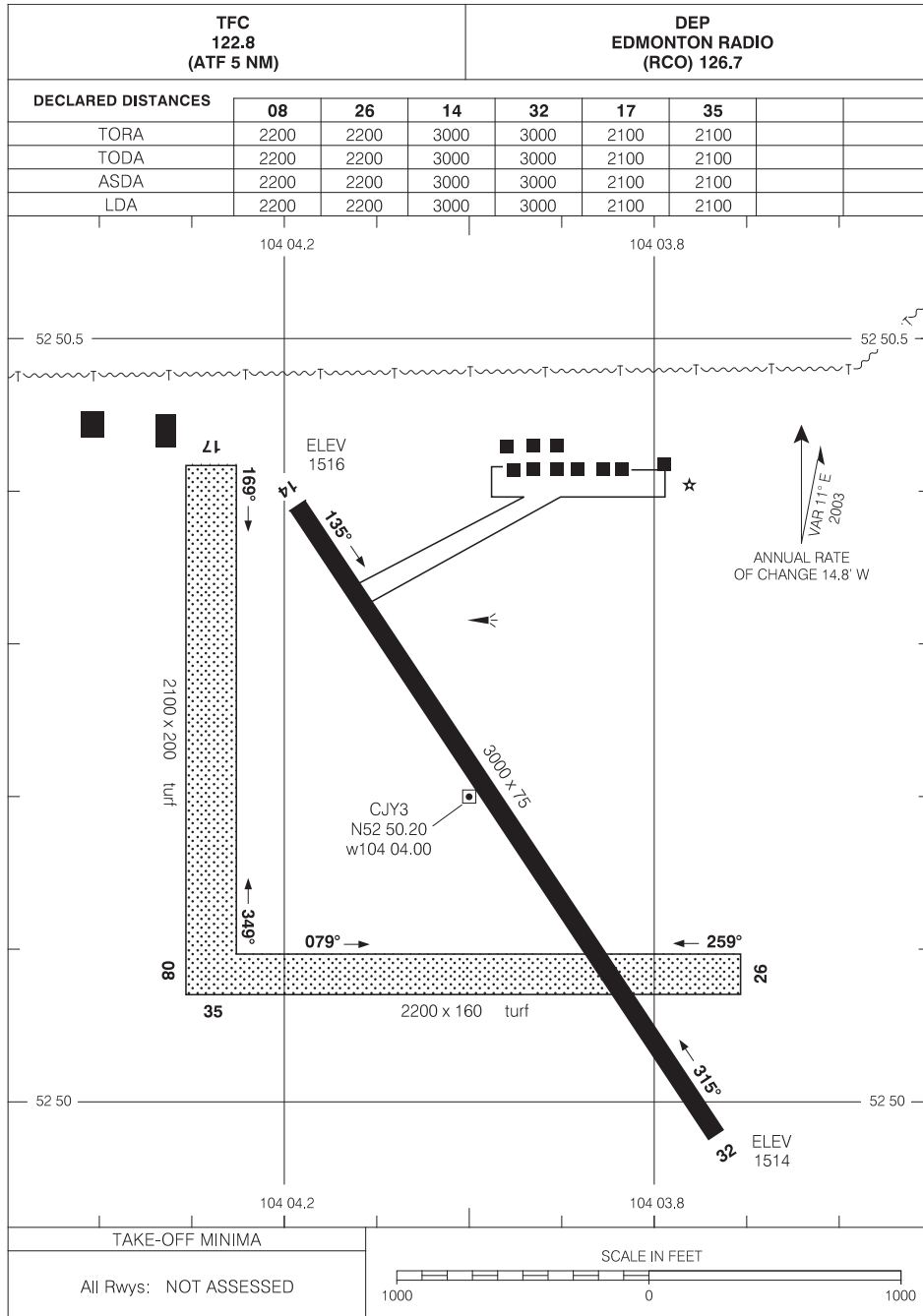
# AERODROME CHART

THOMPSON MB  
THOMPSON  
NAD83

EFF 27 AUG 09 CHANGE: Comm

# AERODROME CHART

TISDALE  
TISDALE SK



Source of Canadian Civil Aeronautical Data : © 2010 NAV CANADA All rights reserved

# AERODROME CHART

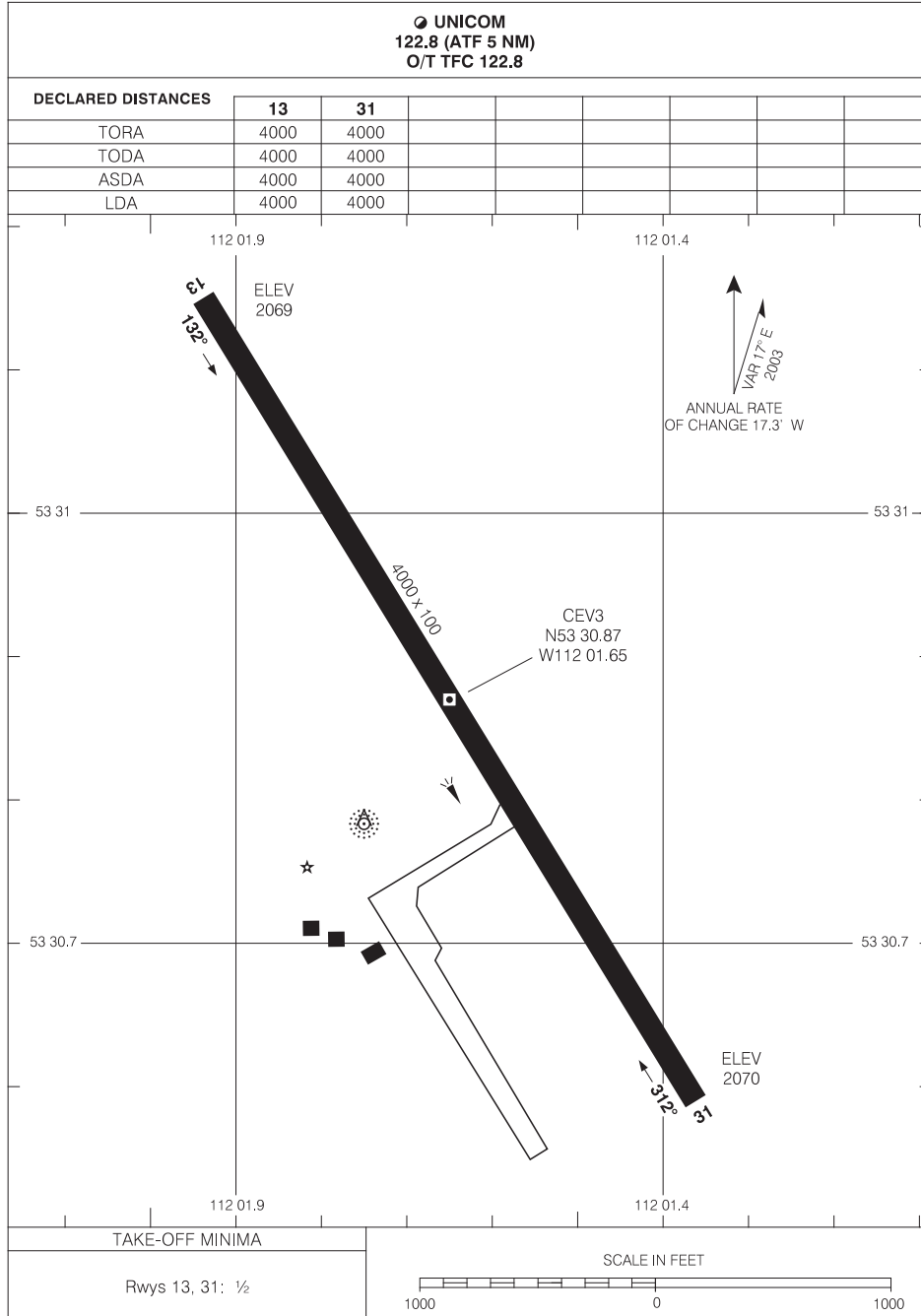
TISDALE SK  
TISDALE  
NAD83

EFF 8 JUN 06

CHANGE: Declared distances

# AERODROME CHART

VEGREVILLE  
VEGREVILLE AB



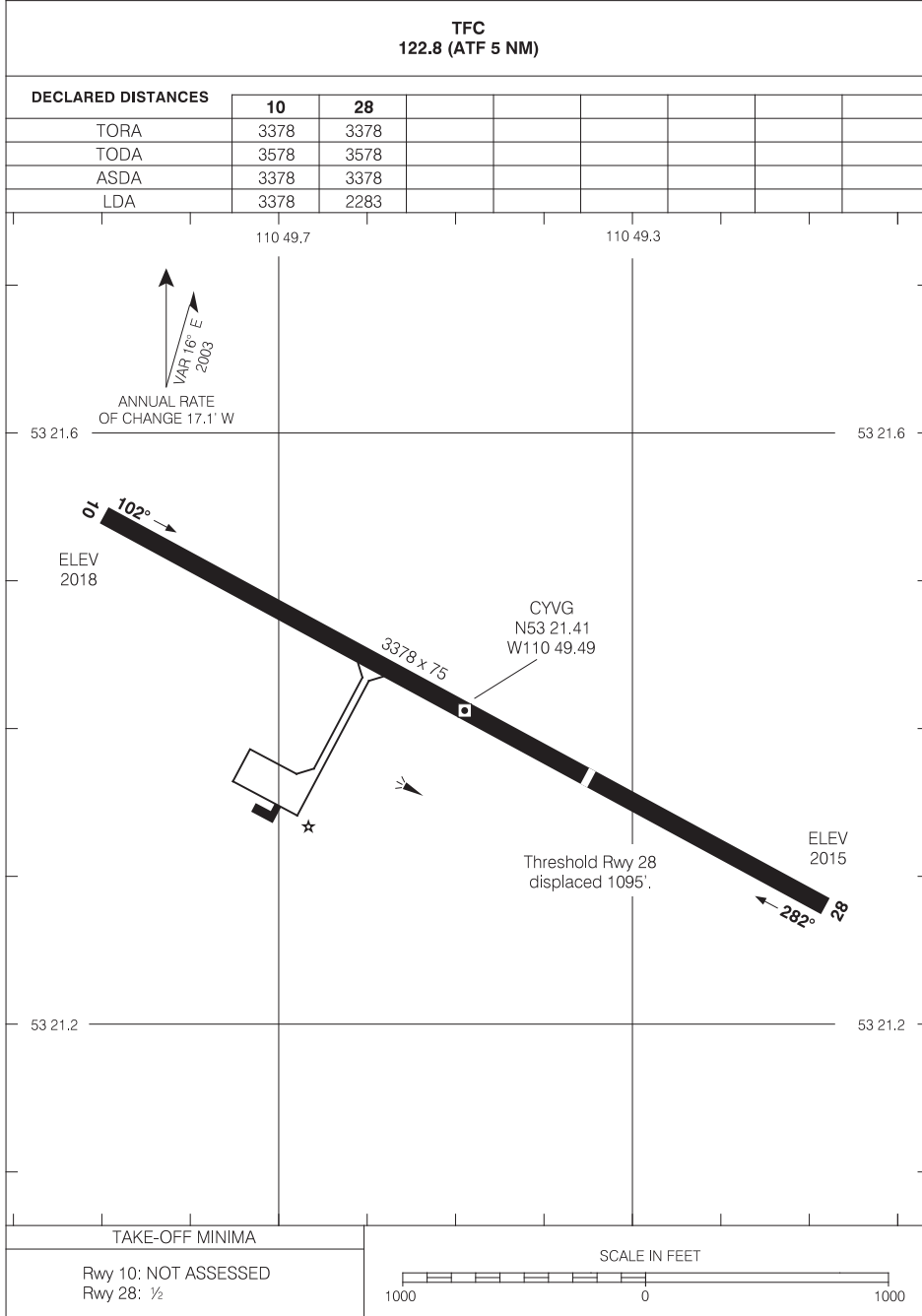
# AERODROME CHART

VEGREVILLE AB  
VEGREVILLE  
NAD83

EFF 30 AUG 07 CHANGE: New A/D chart

# AERODROME CHART

VERMILION  
VERMILION AB



# AERODROME CHART

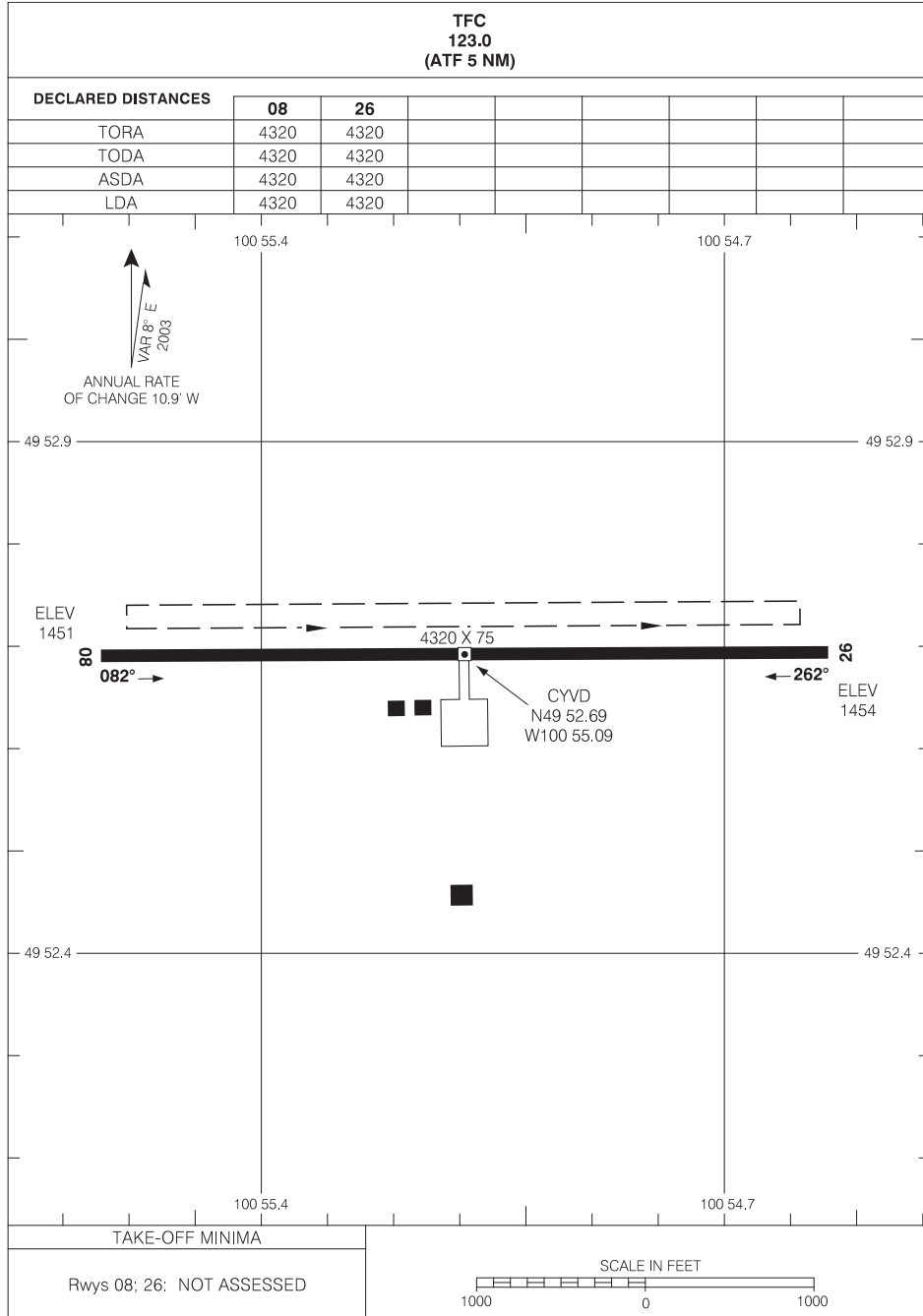
VERMILION AB  
VERMILION  
NAD83

EFF 17 DEC 09 CHANGE: Revised



# AERODROME CHART

VIRDEN/R.J. (BOB) ANDREW FIELD REGIONAL  
VIRDEN MB



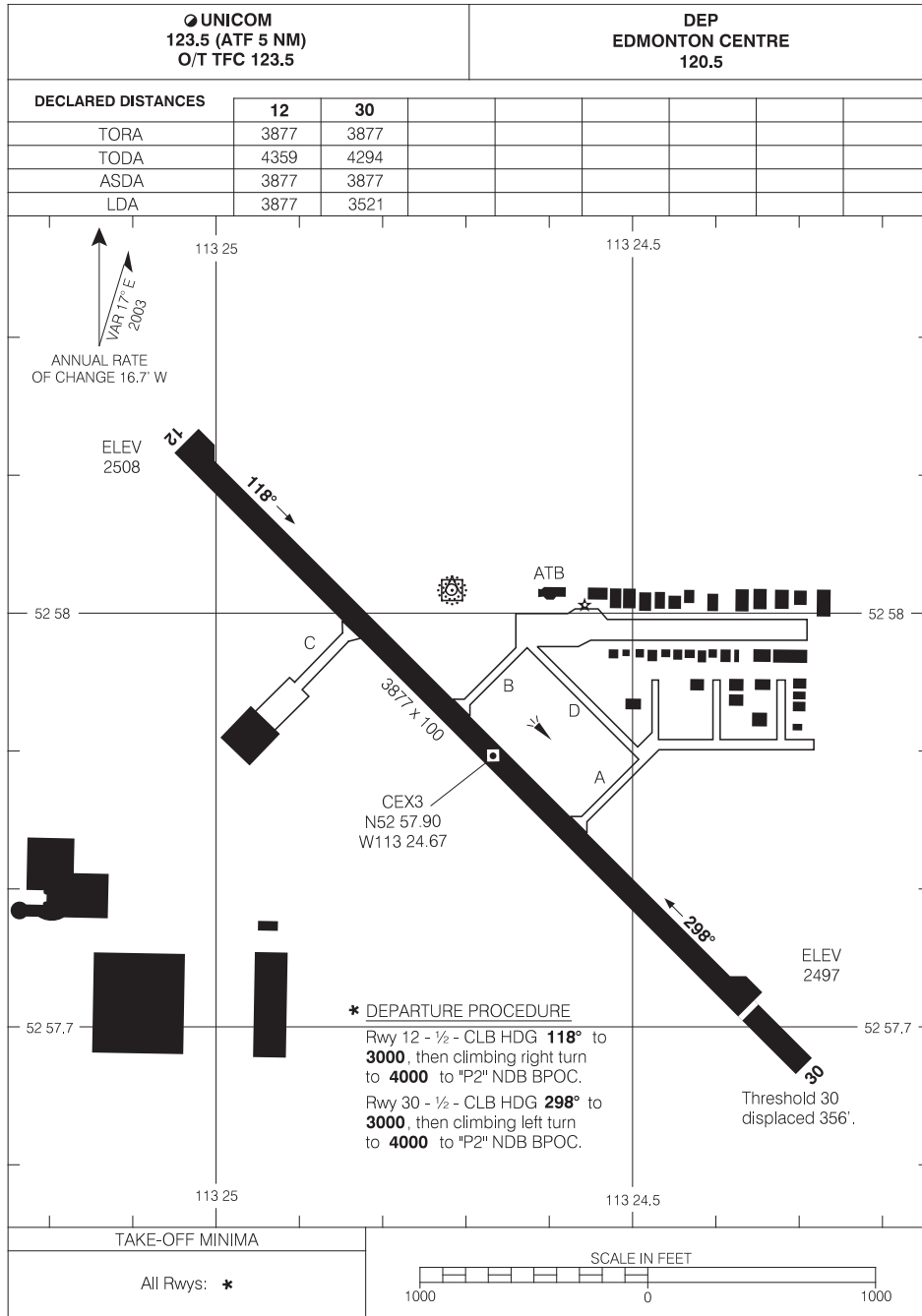
# AERODROME CHART

VIRDEN/R.J. (BOB) ANDREW FIELD REGIONAL  
VIRDEN MB  
NAD83

EFF 10 APR 08 CHANGE: A/D name

# AERODROME CHART

WETASKIWIN REGIONAL  
WETASKIWIN AB



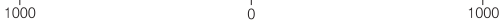
**\* DEPARTURE PROCEDURE**

Rwy 12 - ½ - CLB HDG **118°** to **3000**, then climbing right turn to **4000** to "P2" NDB BPOC.  
 Rwy 30 - ½ - CLB HDG **298°** to **3000**, then climbing left turn to **4000** to "P2" NDB BPOC.

TAKE-OFF MINIMA

All Rwys: \*

SCALE IN FEET



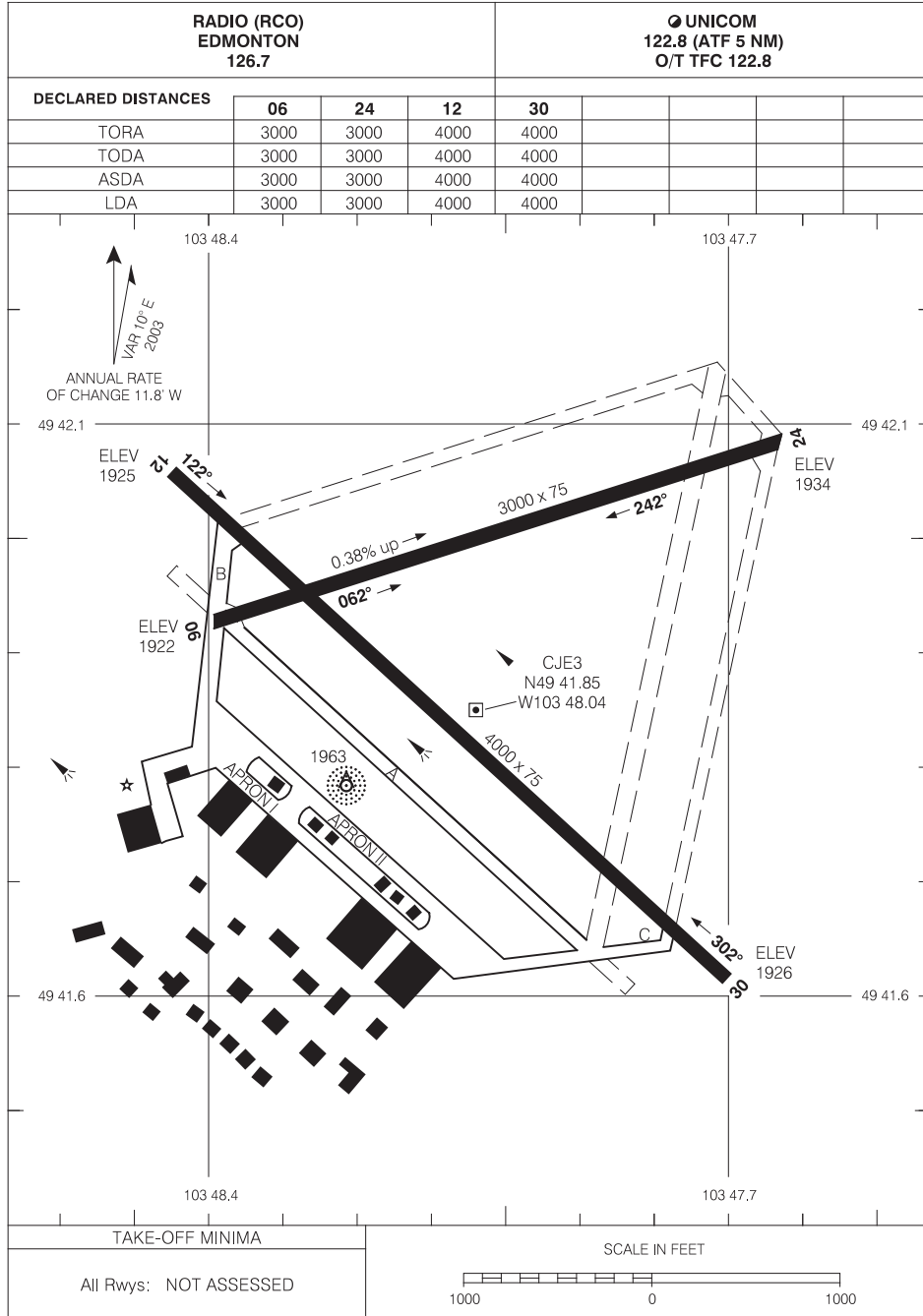
# AERODROME CHART

WETASKIWIN AB  
WETASKIWIN REGIONAL  
NAD83

EFF 10 MAY 07 CHANGE: Revised

# AERODROME CHART

WEYBURN  
WEYBURN SK



Source of Canadian Civil Aeronautical Data : © 2010 NAV CANADA All rights reserved

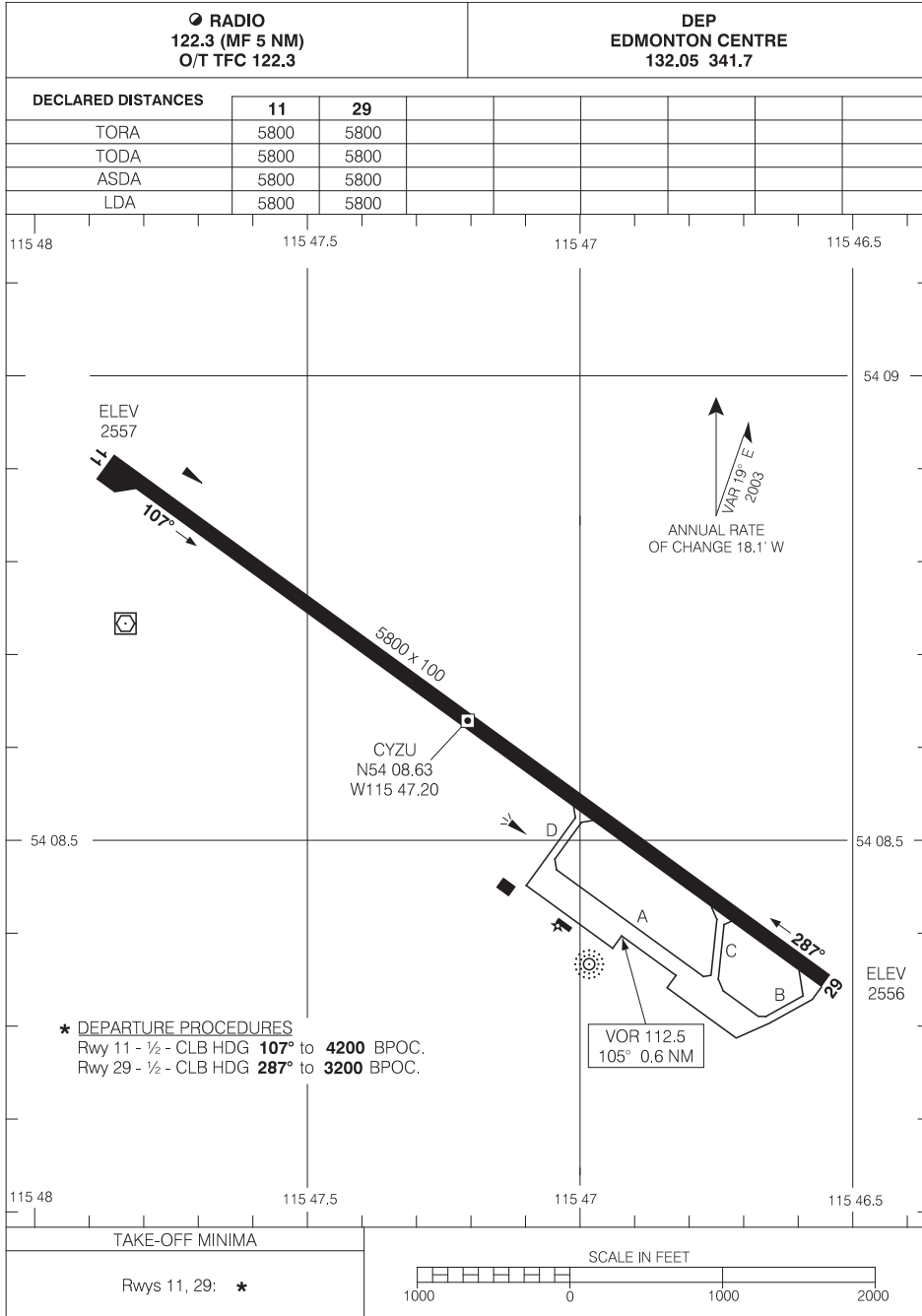
# AERODROME CHART

WEYBURN SK  
WEYBURN  
NAD83

EFF 7 MAY 09 CHANGE: Apron, Twy labels added

# AERODROME CHART

WHITECOURT  
WHITECOURT AB



Source of Canadian Civil Aeronautical Data : © 2010 NAV CANADA All rights reserved

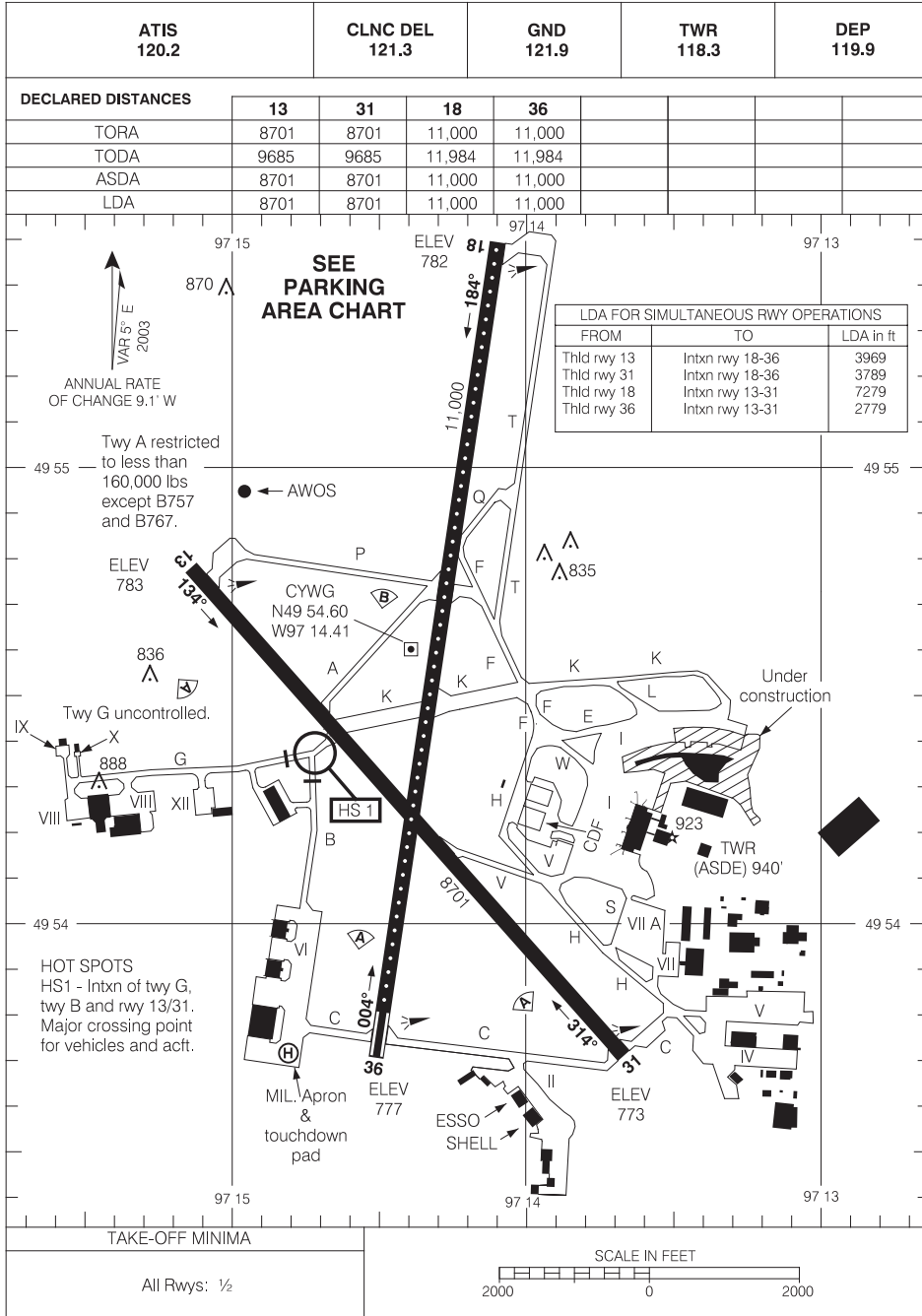
# AERODROME CHART

WHITECOURT AB  
WHITECOURT  
NAD83

EFF 30 AUG 07 CHANGE: Twy labels

# AERODROME CHART

WINNIPEG /JAMES ARMSTRONG RICHARDSON INTL  
WINNIPEG MB



Source of Canadian Civil Aeronautical Data : © 2010 NAV CANADA All rights reserved

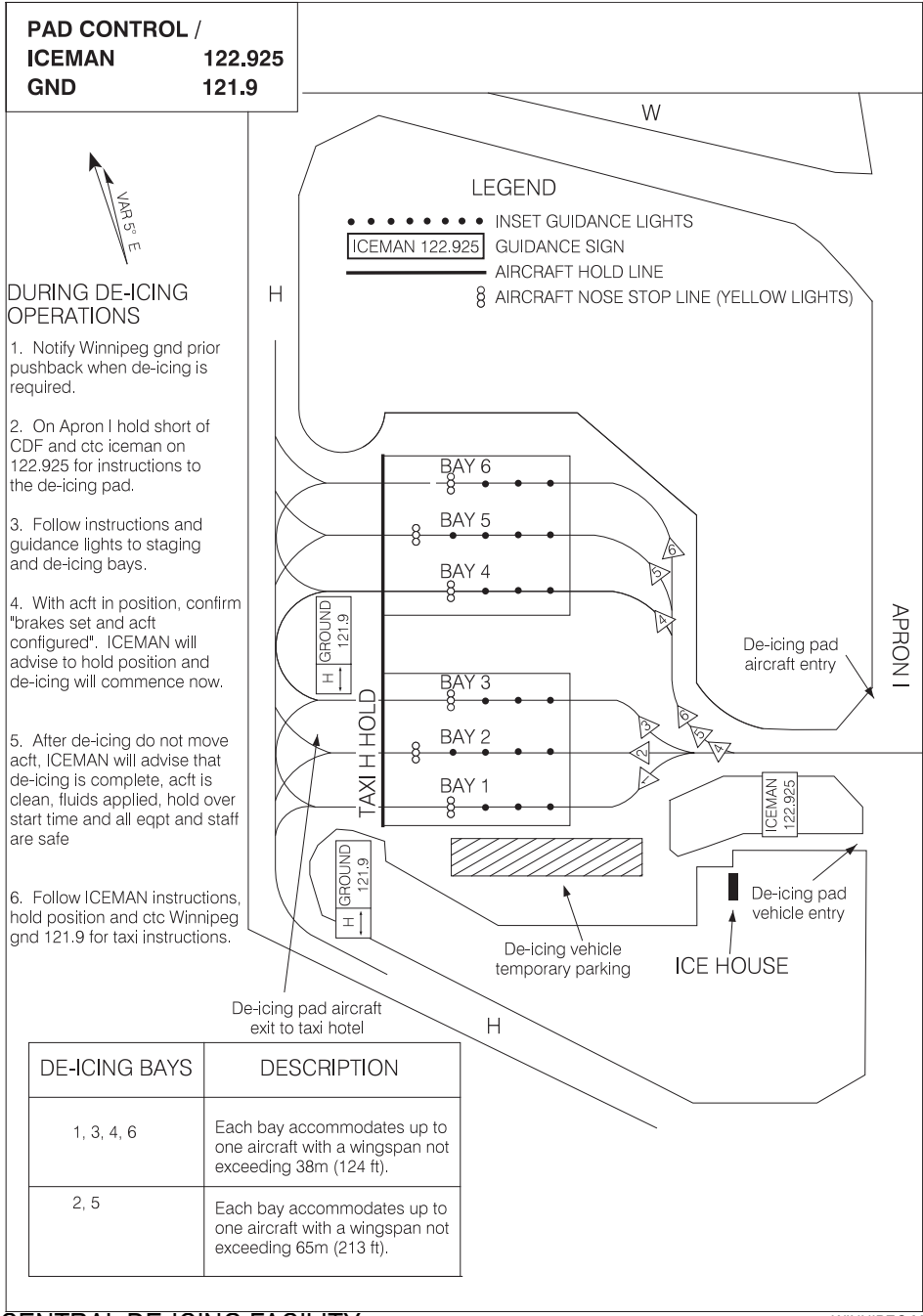
# AERODROME CHART

WINNIPEG /JAMES ARMSTRONG RICHARDSON INTL  
WINNIPEG MB  
NAD83

EFF 11 FEB 10 CHANGE: Comm

# CENTRAL DE-ICING FACILITY

WINNIPEG /JAMES ARMSTRONG RICHARDSON INTL  
WINNIPEG MB



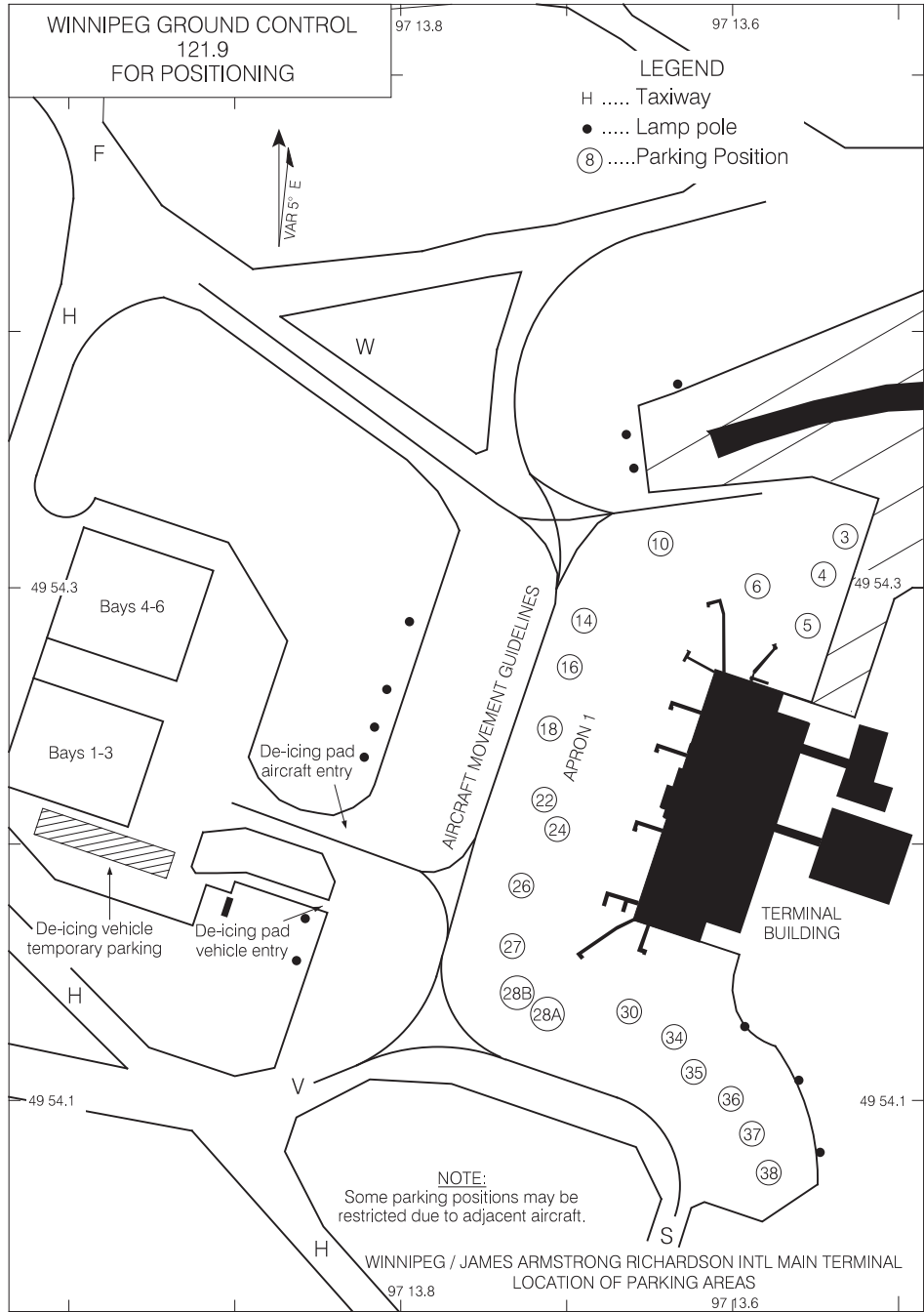
Source of Canadian Civil Aeronautical Data : © 2010 NAV CANADA All rights reserved

# CENTRAL DE-ICING FACILITY

WINNIPEG /JAMES ARMSTRONG RICHARDSON INTL  
WINNIPEG MB

WINNIPEG / JAMES ARMSTRONG RICHARDSON INTL  
WINNIPEG MB

PARKING AREA



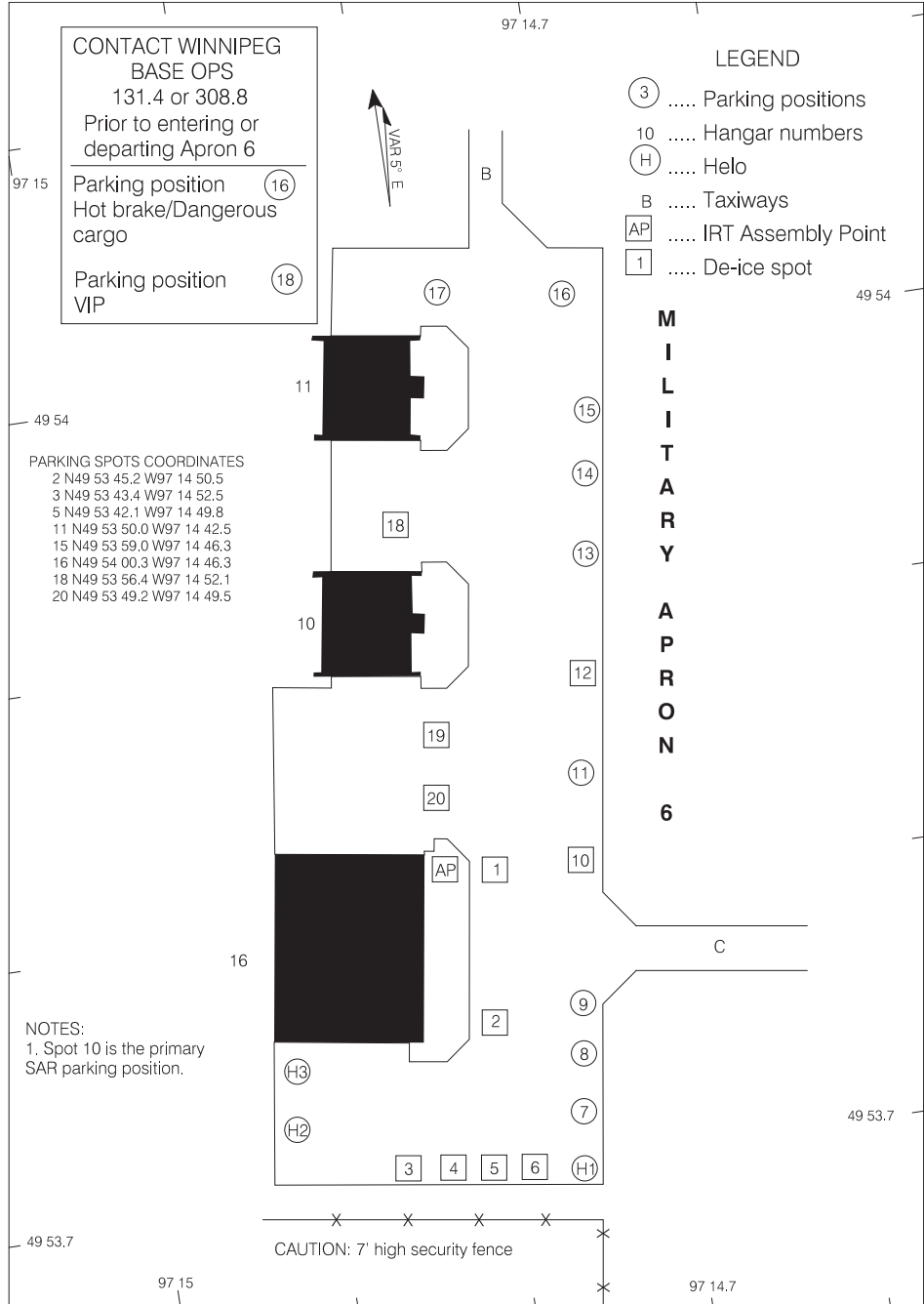
Source of Canadian Civil Aeronautical Data : © 2010 NAV CANADA All rights reserved

PARKING AREA

WINNIPEG / JAMES ARMSTRONG RICHARDSON INTL  
WINNIPEG MB

EFF 27 AUG 09 CHANGE: COMM

PARKING AREAS (DND)



CONTACT WINNIPEG  
BASE OPS  
131.4 or 308.8  
Prior to entering or  
departing Apron 6

Parking position (16)  
Hot brake/Dangerous  
cargo

Parking position (18)  
VIP

- LEGEND
- (3) ..... Parking positions
  - 10 ..... Hangar numbers
  - (H) ..... Helo
  - B ..... Taxiways
  - AP ..... IRT Assembly Point
  - 1 ..... De-ice spot

PARKING SPOTS COORDINATES

- 2 N49 53 45.2 W97 14 50.5
- 3 N49 53 43.4 W97 14 52.5
- 5 N49 53 42.1 W97 14 49.8
- 11 N49 53 50.0 W97 14 42.5
- 15 N49 53 59.0 W97 14 46.3
- 16 N49 54 00.3 W97 14 46.3
- 18 N49 53 56.4 W97 14 52.1
- 20 N49 53 49.2 W97 14 49.5

NOTES:

- 1. Spot 10 is the primary SAR parking position.

Source of Canadian Civil Aeronautical Data : © 2010 NAV CANADA All rights reserved

PARKING AREAS (DND)

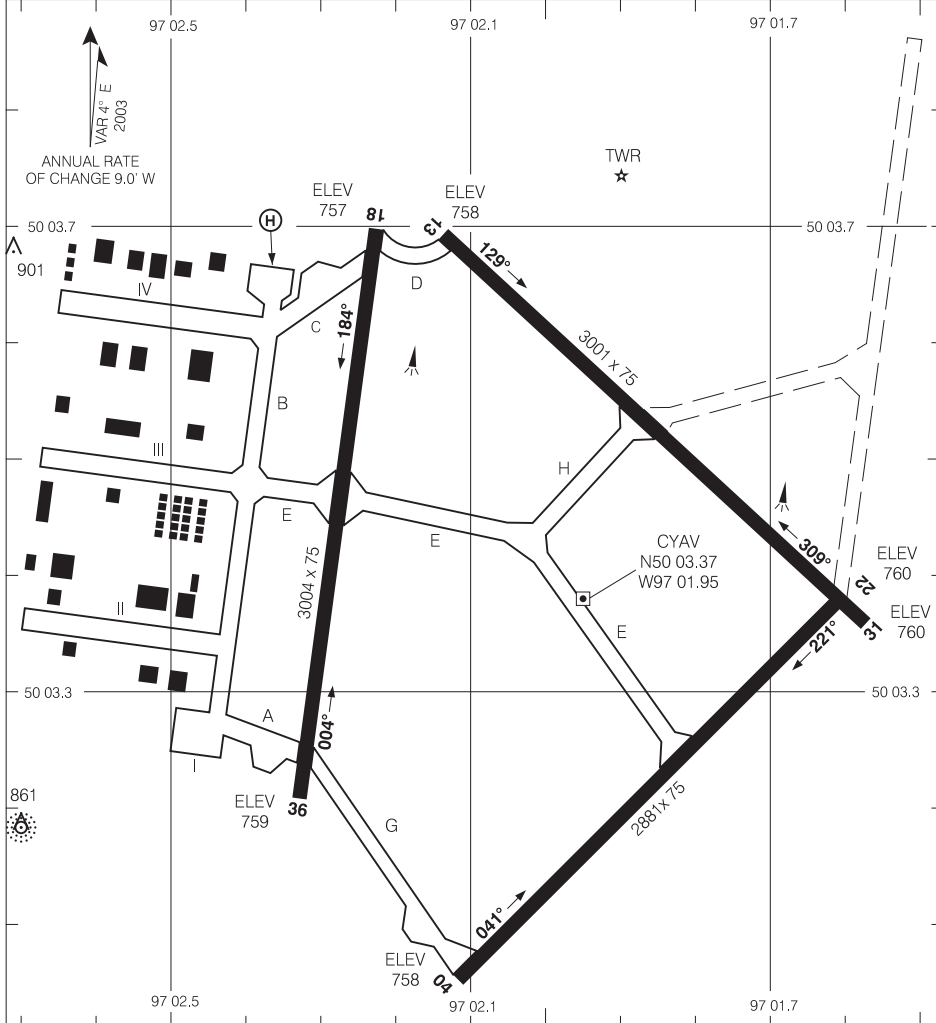


# AERODROME CHART

WINNIPEG/ST.ANDREWS  
WINNIPEG MB

● ATIS 125.8	● GND 121.8	● TWR 118.5	● DEP WINNIPEG 119.9
-----------------	----------------	----------------	----------------------------

DECLARED DISTANCES	04	22	13	31	18	36
TORA	2881	2881	3001	3001	3004	3004
TODA	3865	3865	3985	3985	3988	3988
ASDA	2881	2881	3001	3001	3004	3004
LDA	2881	2881	3001	3001	3004	3004



Source of Canadian Civil Aeronautical Data : © 2010 NAV CANADA All rights reserved

TAKE-OFF MINIMA	SCALE IN FEET
All Rwys: ½	1000 500 0 1000

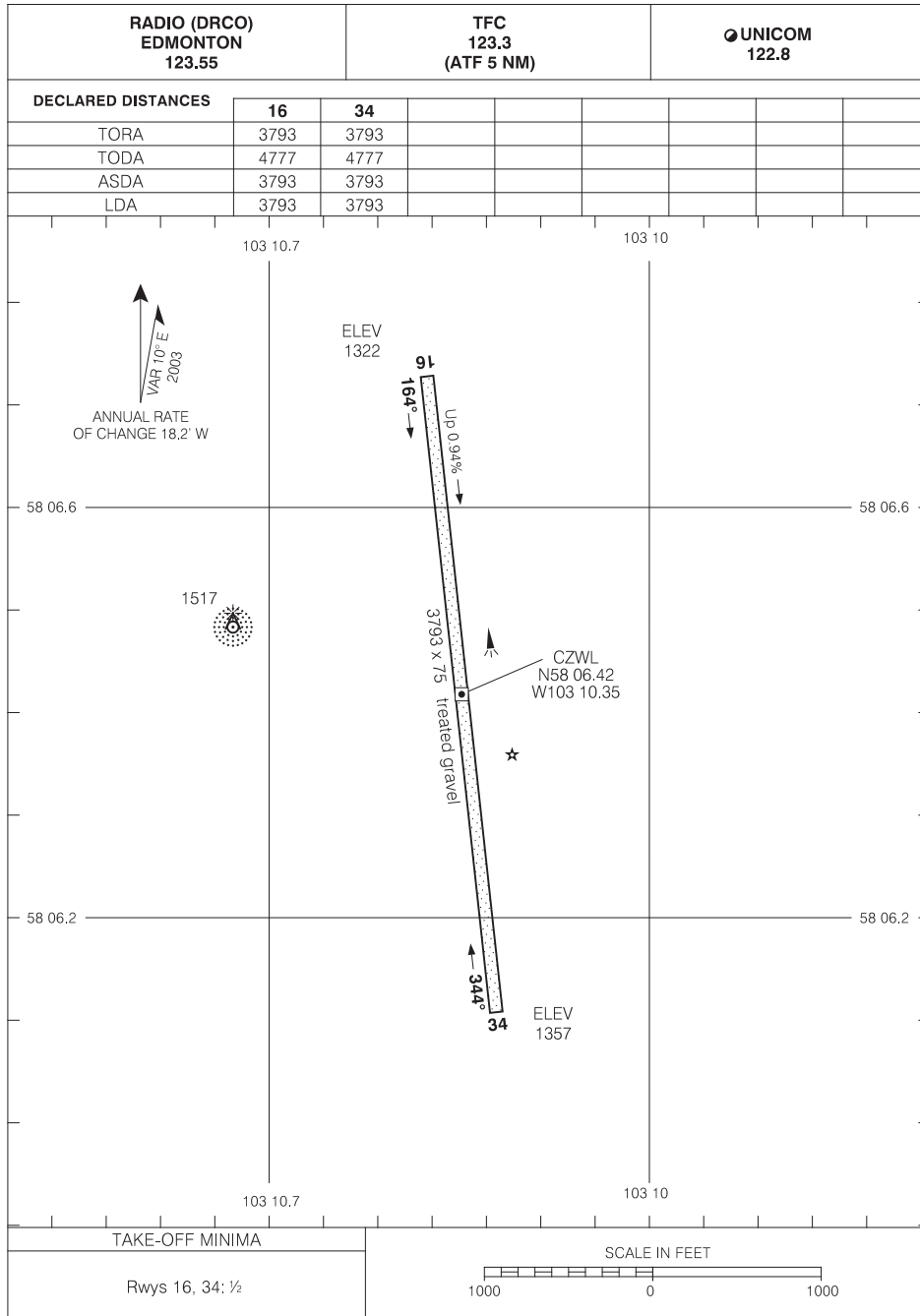
# AERODROME CHART

WINNIPEG MB  
WINNIPEG/ST.ANDREWS  
NAD83

EFF 27 AUG 09 CHANGE: COMM

# AERODROME CHART

WOLLASTON LAKE  
WOLLASTON LAKE SK



Source of Canadian Civil Aeronautical Data : © 2009 NAV CANADA All rights reserved

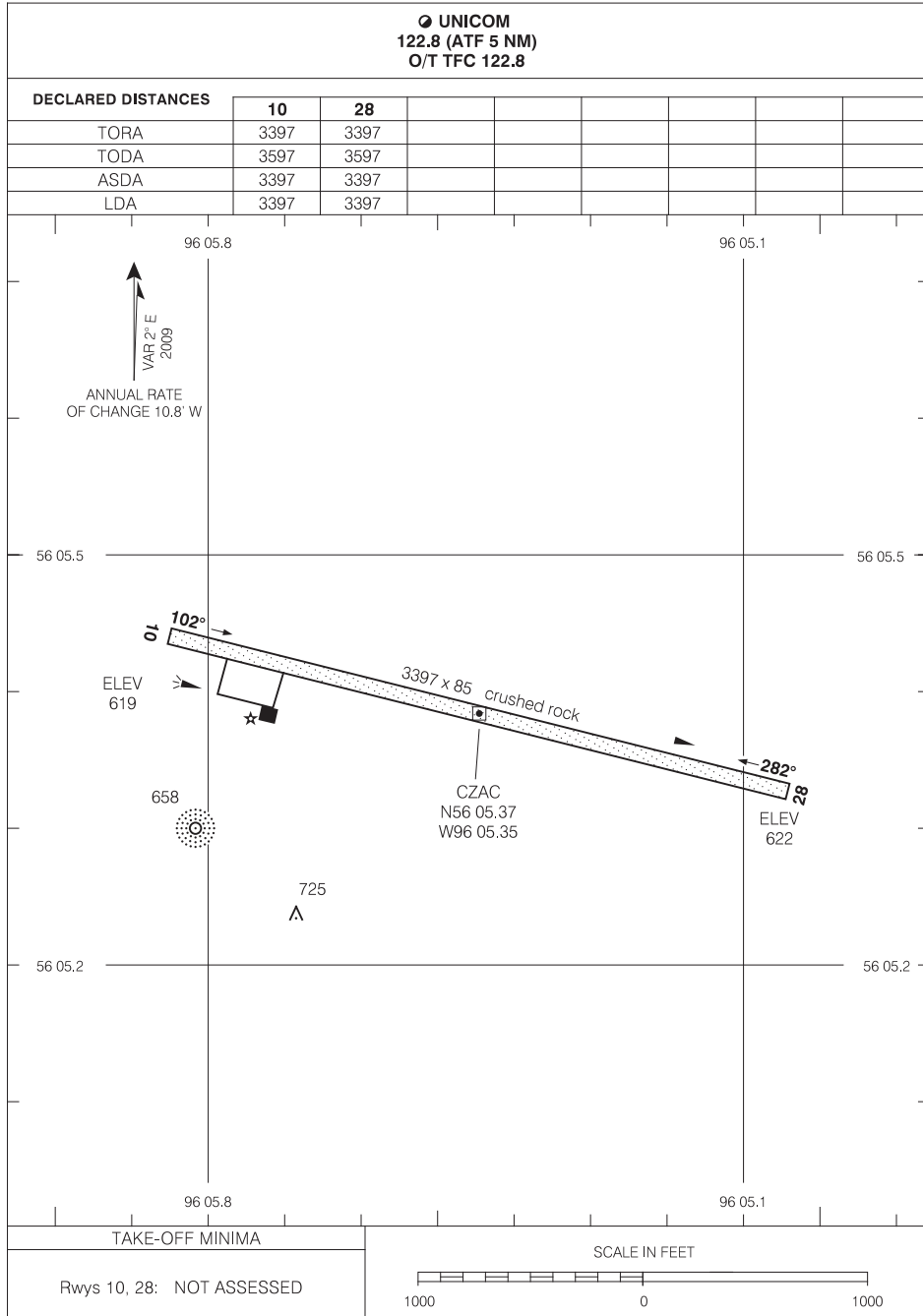
# AERODROME CHART

WOLLASTON LAKE SK  
WOLLASTON LAKE  
NAD83

EFF 27 AUG 09 CHANGE: Revised

# AERODROME CHART

YORK LANDING  
YORK LANDING MB



Source of Canadian Civil Aeronautical Data : © 2010 NAV CANADA All rights reserved

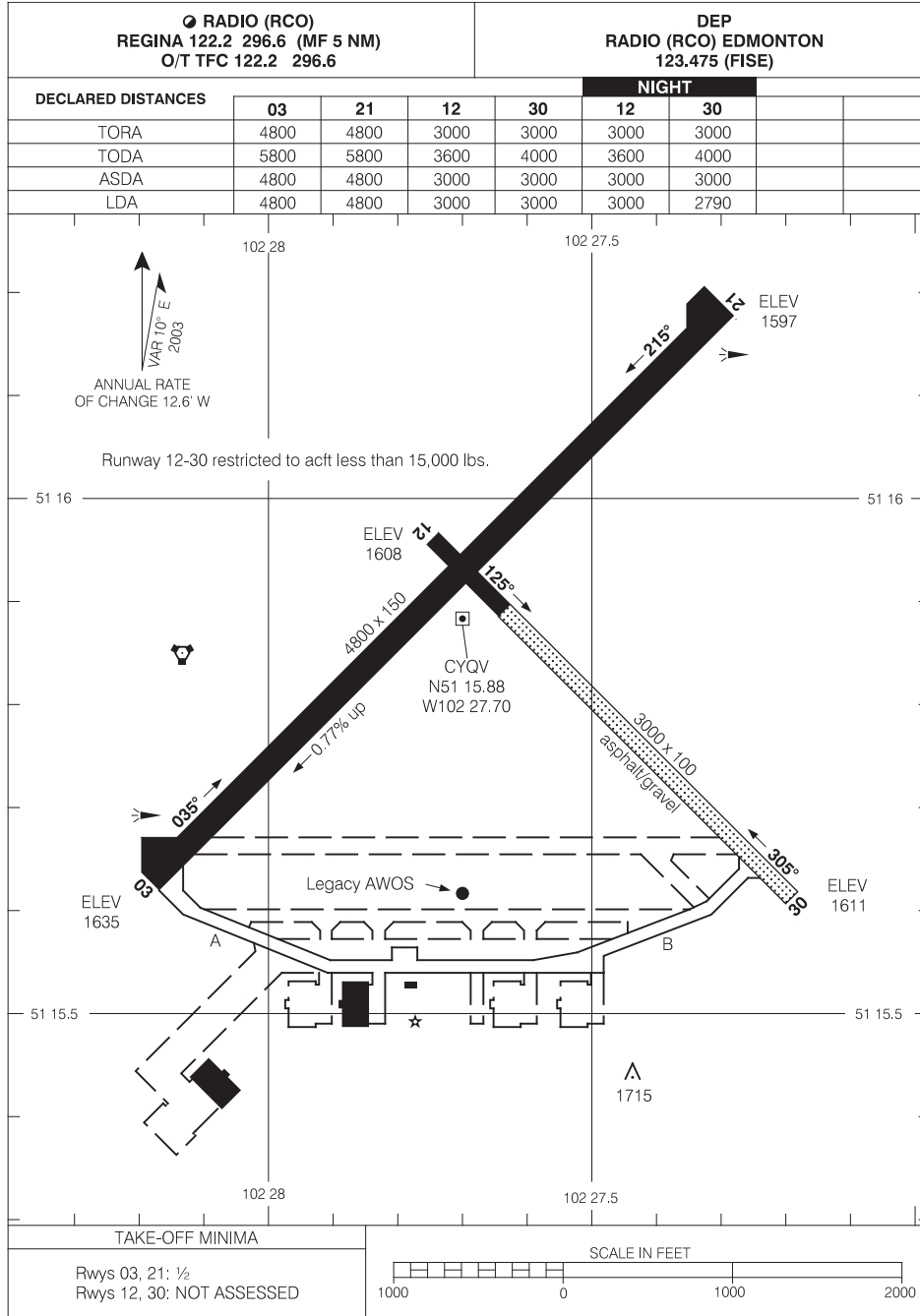
# AERODROME CHART

YORK LANDING MB  
YORK LANDING  
NAD83

EFF 17 DEC 09 CHANGE: AGCC, magnetic variation, rwy length, bearing and magnetic

# AERODROME CHART

YORKTON MUNI  
YORKTON SK



Source of Canadian Civil Aeronautical Data : © 2010 NAV CANADA All rights reserved

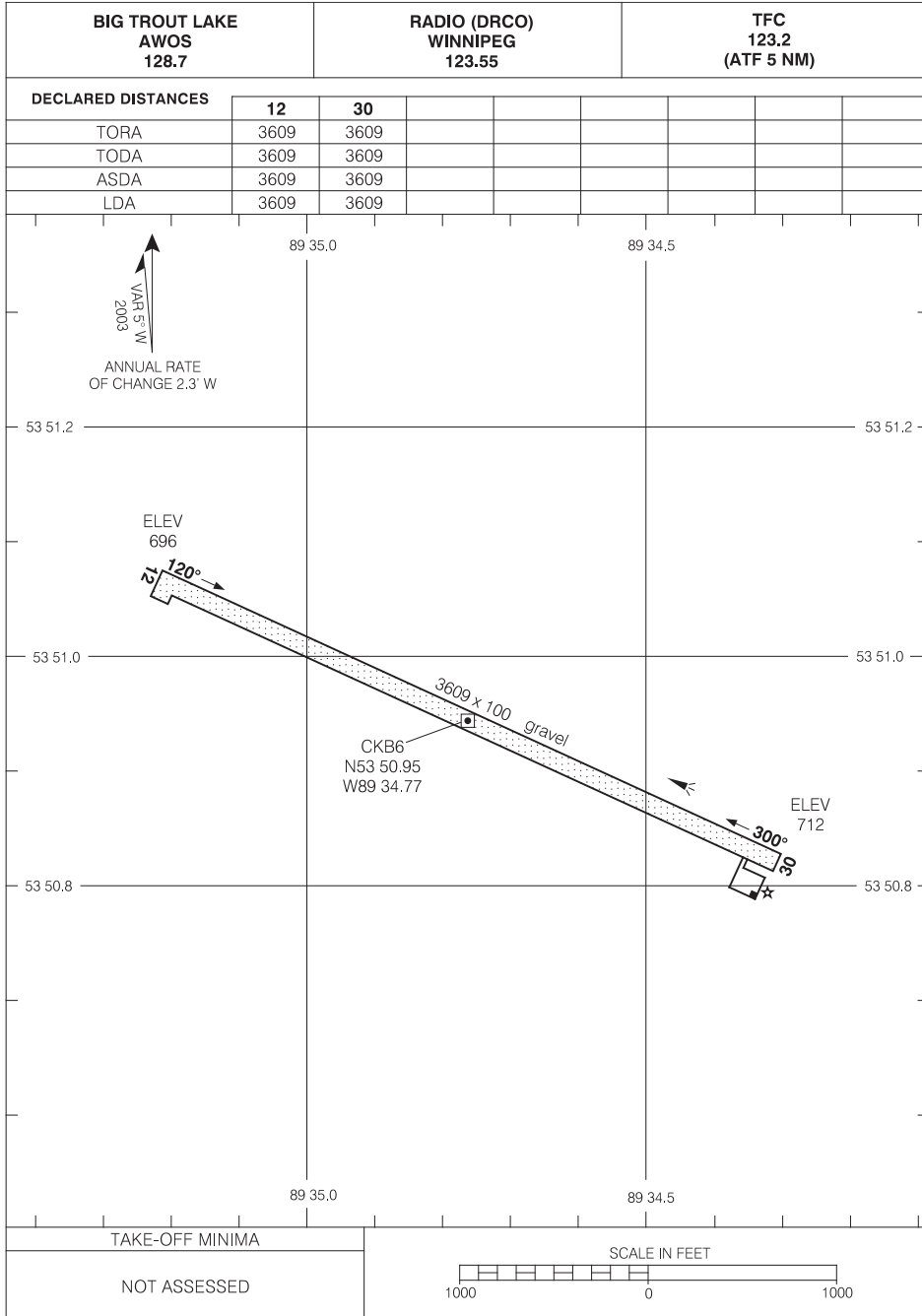
# AERODROME CHART

YORKTON SK  
YORKTON MUNI  
NAD83

EFF 20 NOV 08 CHANGE: AWOS

# AERODROME CHART

ANGLING LAKE/WAPEKEKA  
WAPEKEKA ON



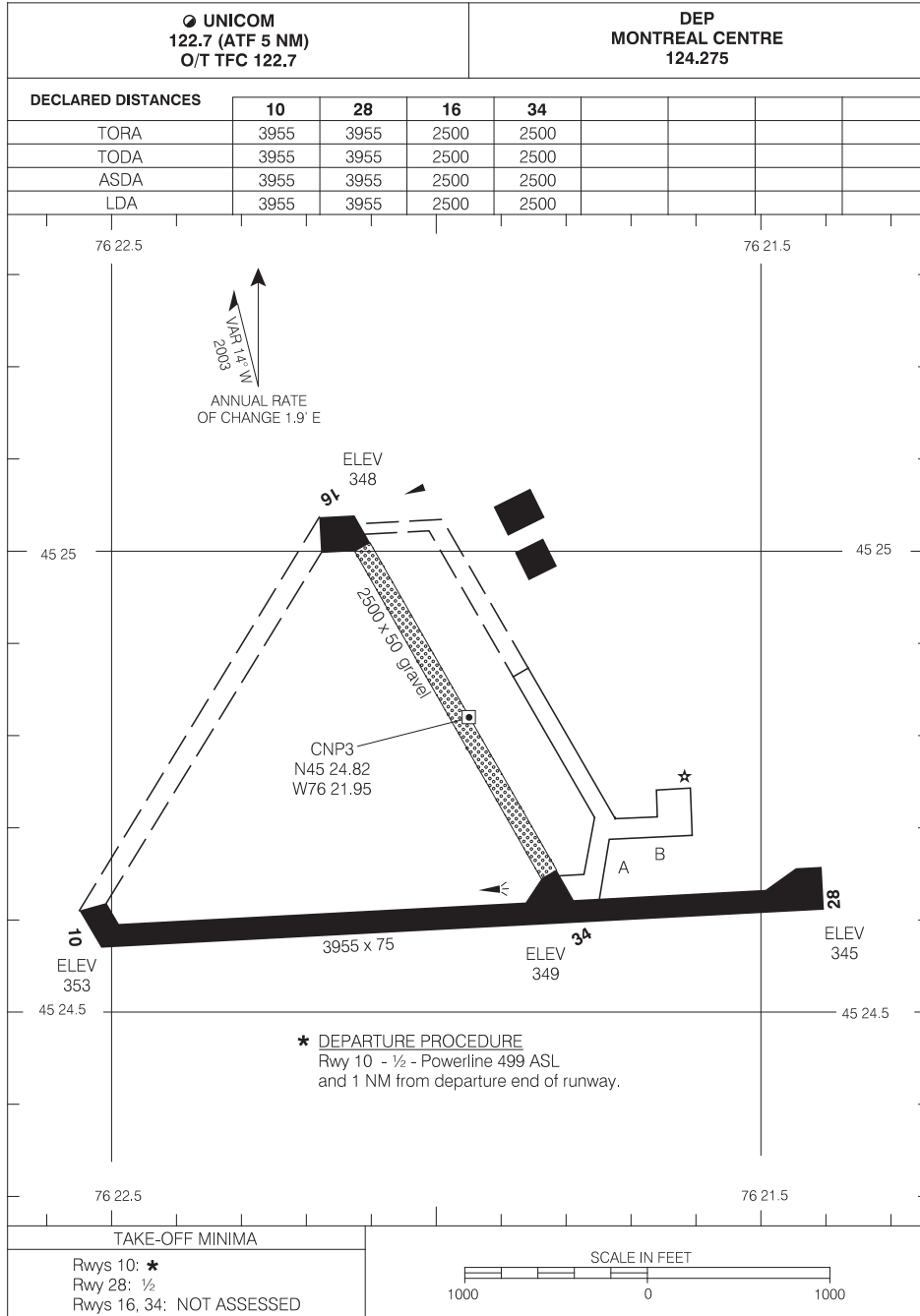
# AERODROME CHART

WAPEKEKA ON  
ANGLING LAKE/WAPEKEKA  
NAD83

EFF 27 AUG 09 CHANGE: Declared distances

# AERODROME CHART

ARNPRIOR/SOUTH RENFREW MUNI  
ARNPRIOR ON



Source of Canadian Civil Aeronautical Data : © 2010 NAV CANADA All rights reserved

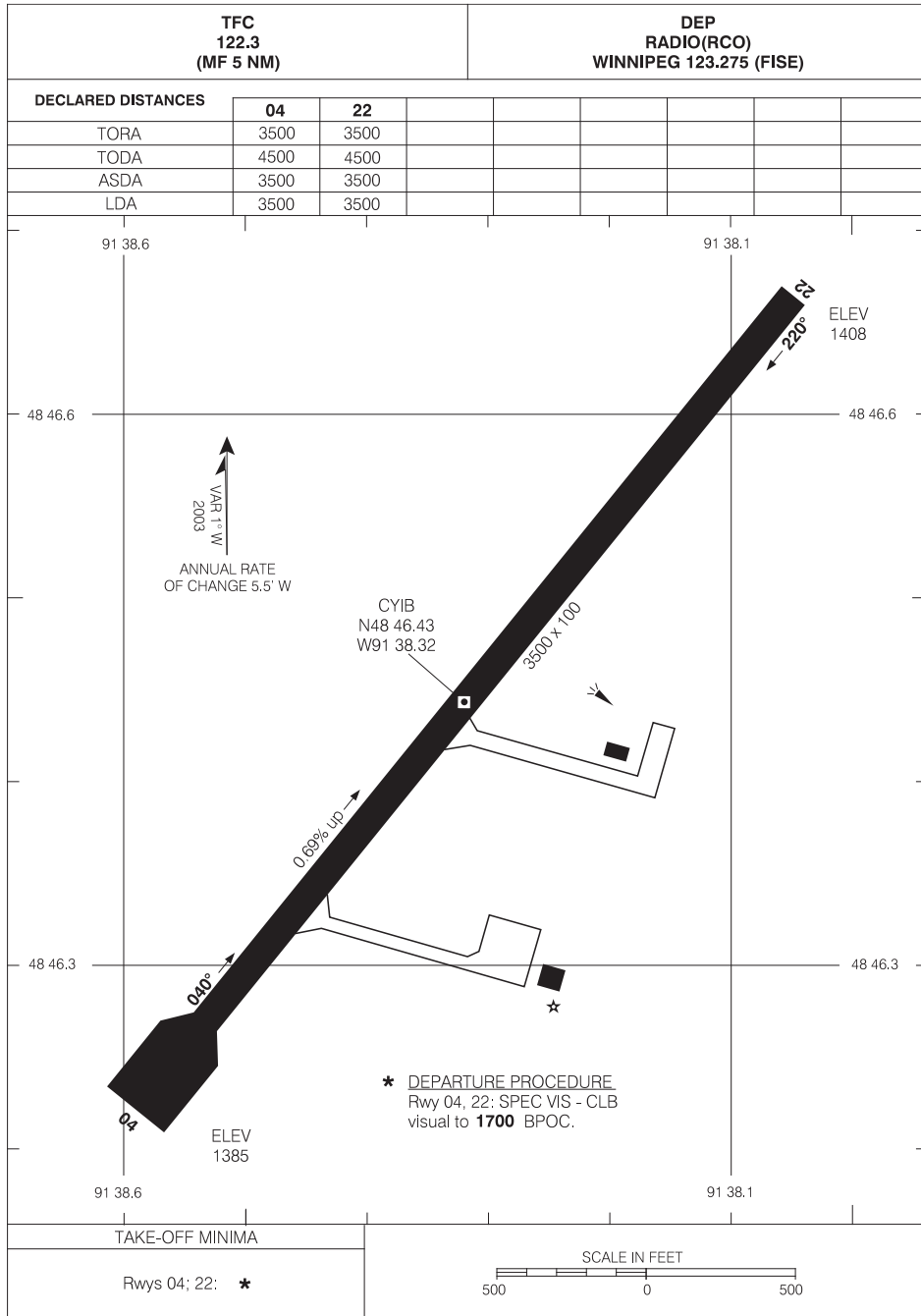
# AERODROME CHART

ARNPRIOR ON  
ARNPRIOR/SOUTH RENFREW MUNI  
NAD83

EFF 13 APR 06 CHANGE: Thld elev's added

AERODROME CHART

ATIKOKAN MUNI  
ATIKOKAN ON



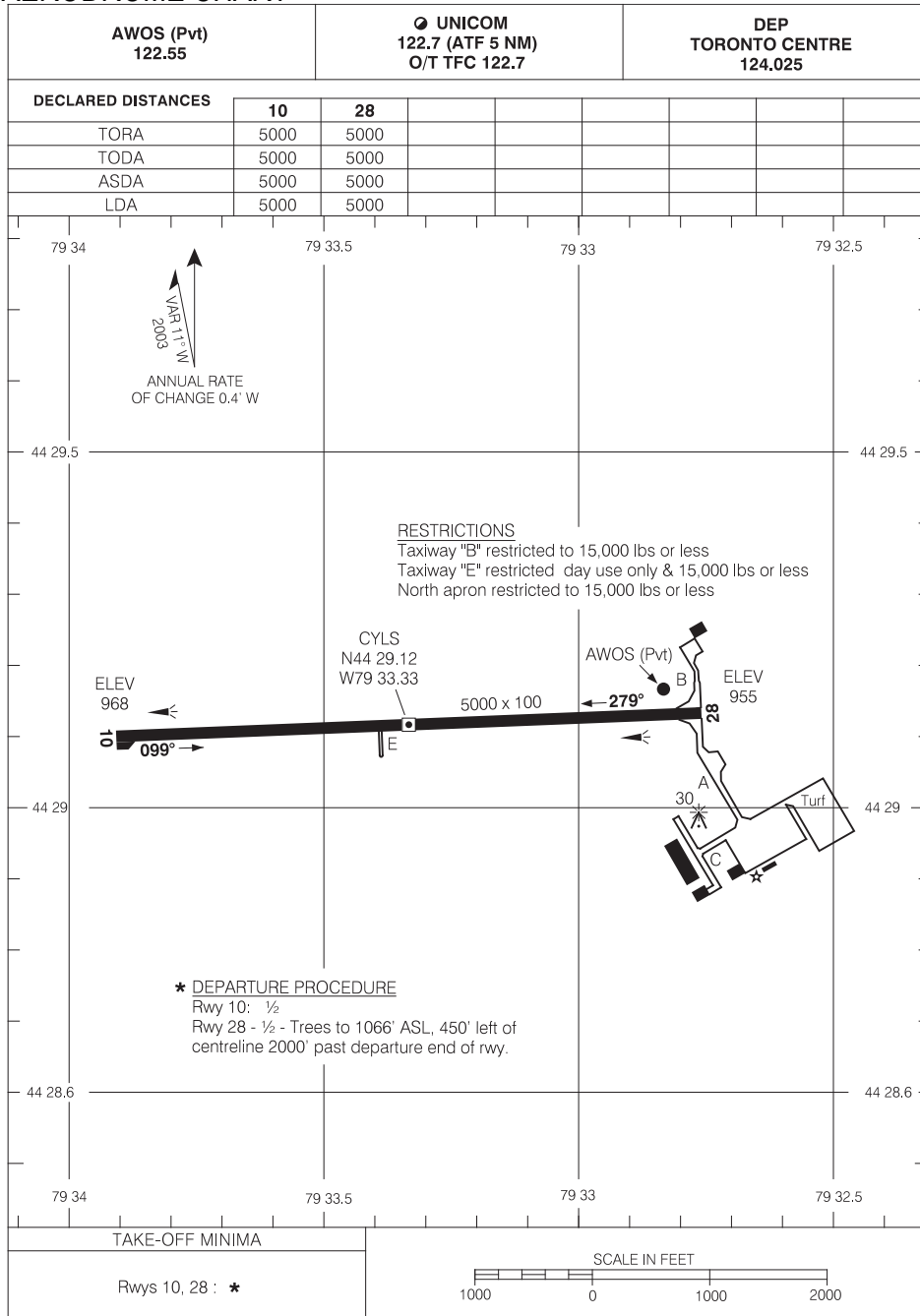
AERODROME CHART

ATIKOKAN ON  
ATIKOKAN MUNI  
NAD83

EFF 13 APR 06 CHANGE: Editorial

# AERODROME CHART

BARRIE-ORILLIA (LAKE SIMCOE REGIONAL)  
ORO-BARRIE-ORILLIA ON



# AERODROME CHART

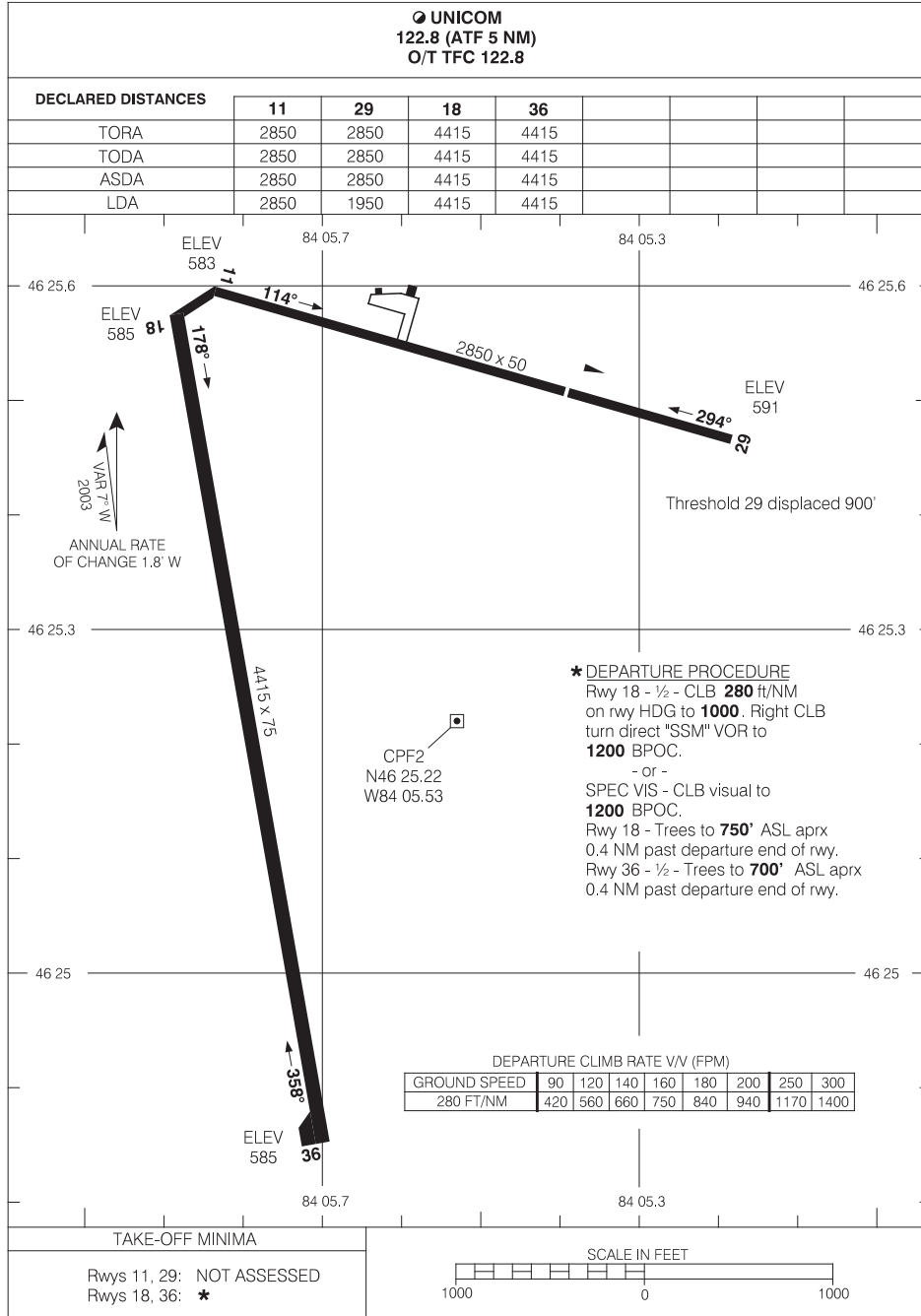
ORO-BARRIE-ORILLIA ON  
BARRIE-ORILLIA (LAKE SIMCOE REGIONAL)  
NAD83

EFF 11 FEB 10 CHANGE: Obstacle



# AERODROME CHART

BAR RIVER  
BAR RIVER ON



# AERODROME CHART

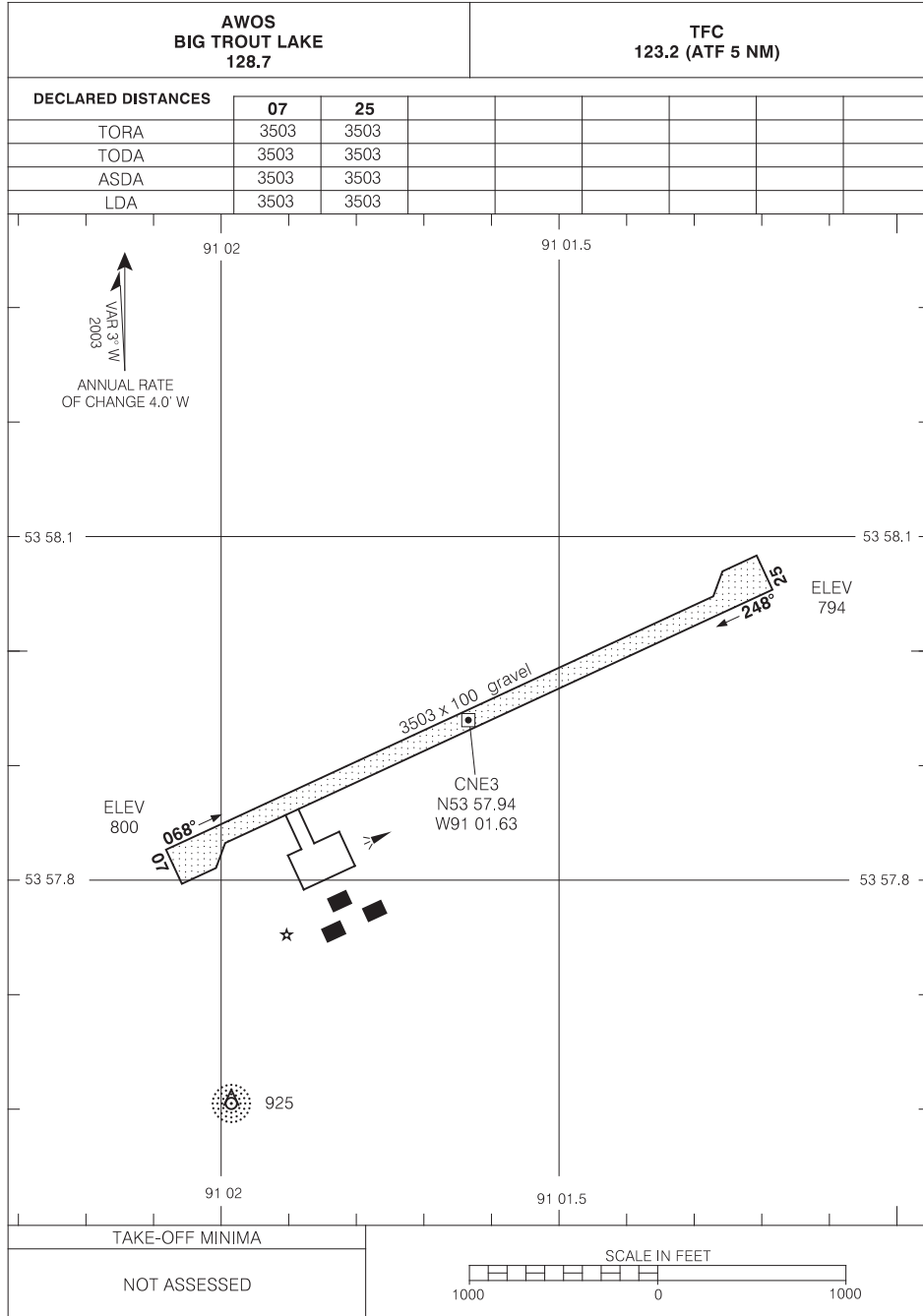
BAR RIVER ON  
BAR RIVER  
NAD83

EFF 13 APR 06

CHANGE: Editorial

# AERODROME CHART

BEARSKIN LAKE  
BEARSKIN LAKE ON



Source of Canadian Civil Aeronautical Data : © 2010 NAV CANADA All rights reserved

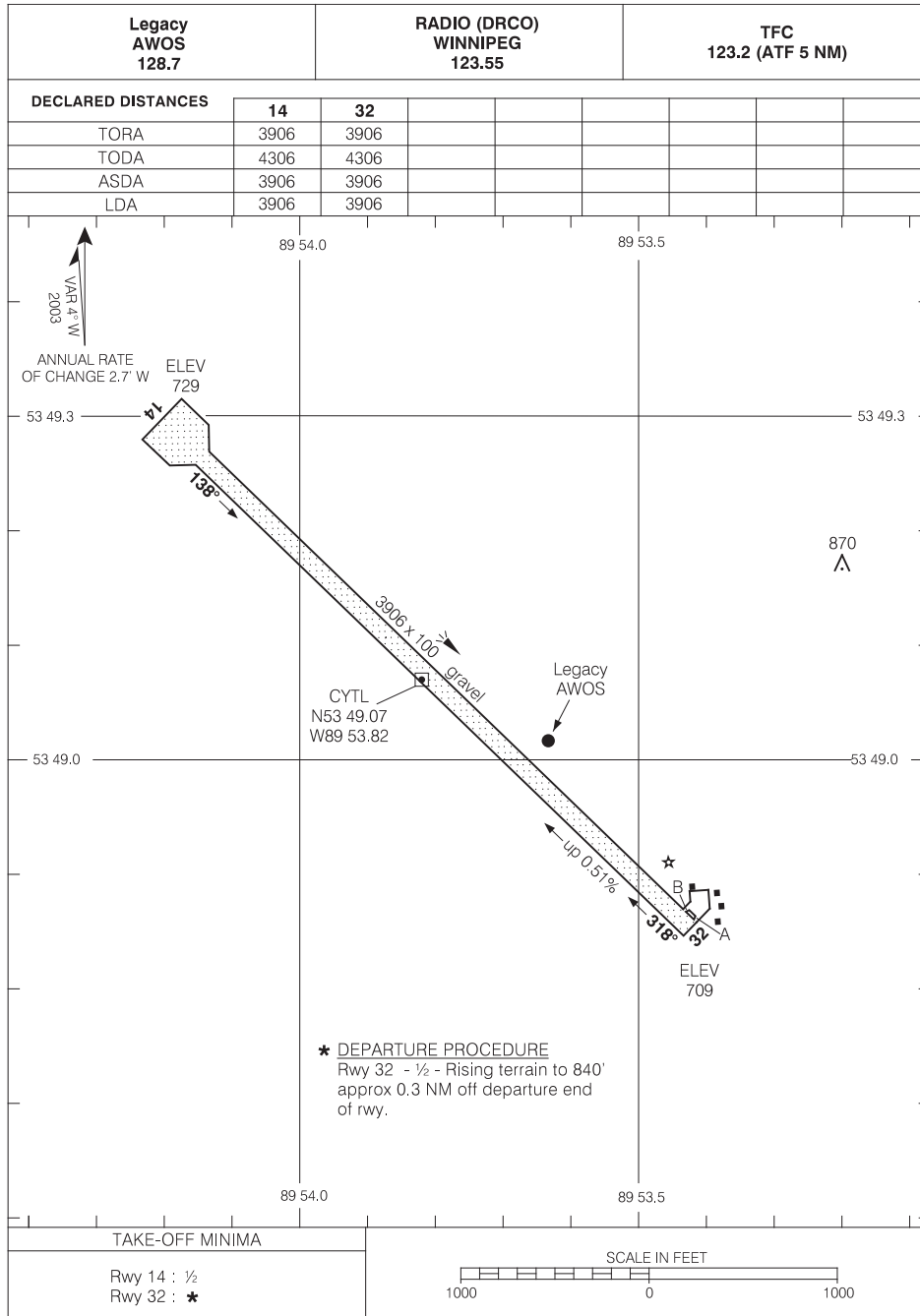
# AERODROME CHART

BEARSKIN LAKE ON  
BEARSKIN LAKE  
NAD83

EFF 22 OCT 09 CHANGE: Declared distances

# AERODROME CHART

BIG TROUT LAKE  
BIG TROUT LAKE ON



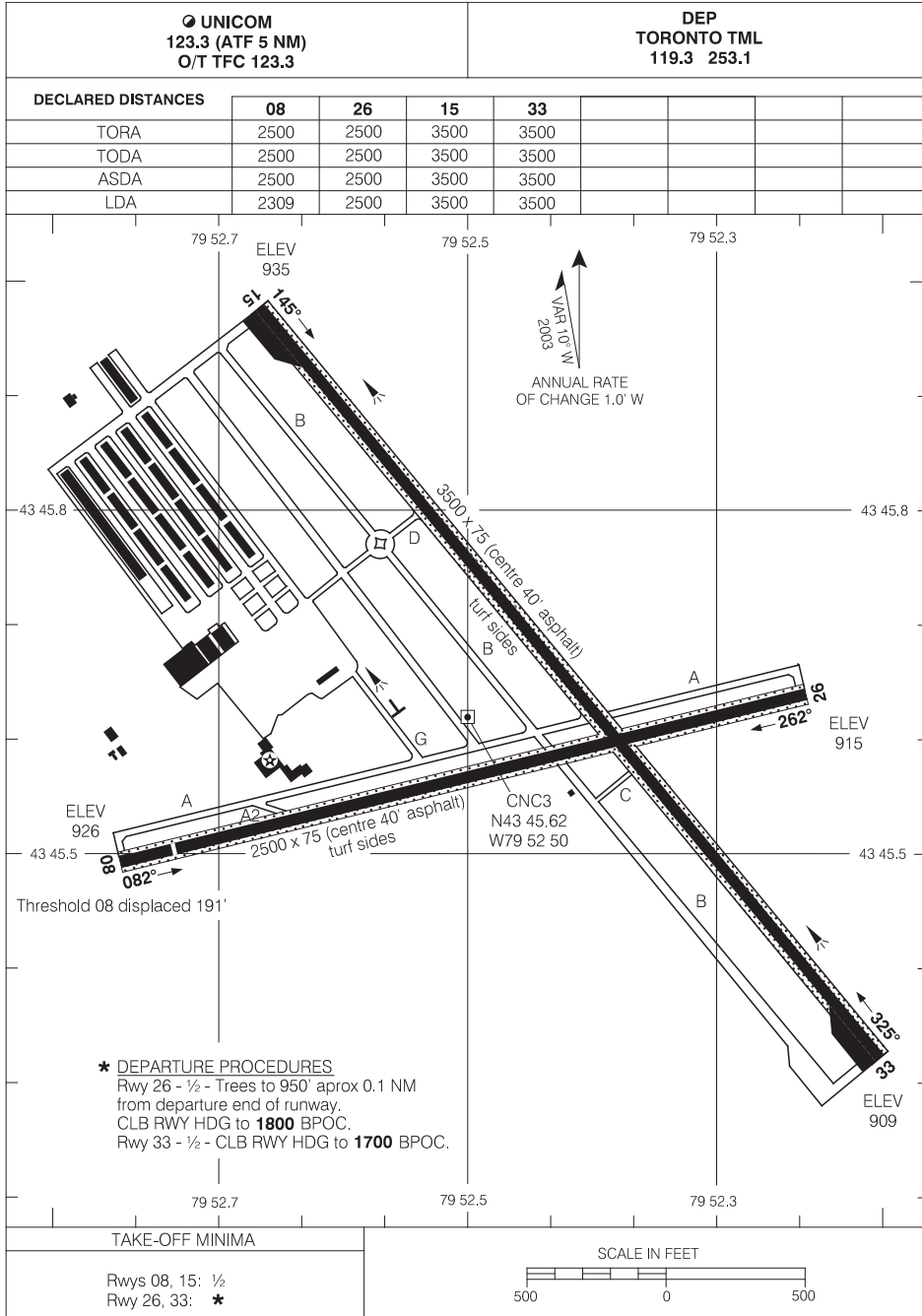
# AERODROME CHART

BIG TROUT LAKE ON  
BIG TROUT LAKE  
NAD83

EFF 11 FEB 10 CHANGE: Rwy length, declared distances

# AERODROME CHART

BRAMPTON  
BRAMPTON ON



Source of Canadian Civil Aeronautical Data : © 2010 NAV CANADA All rights reserved

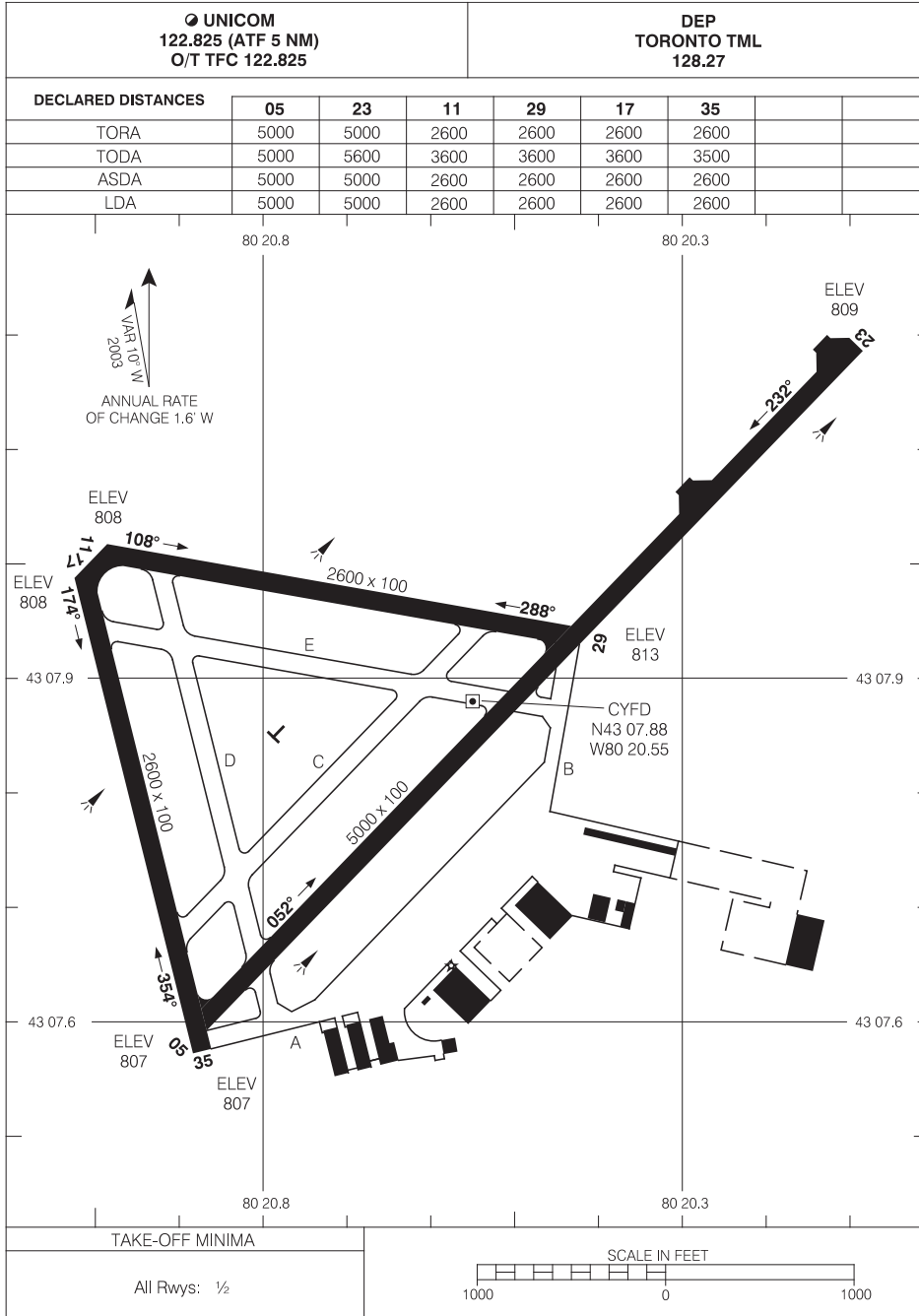
# AERODROME CHART

BRAMPTON ON  
BRAMPTON  
NAD83

EFF 13 APR 06 CHANGE: Editorial

# AERODROME CHART

BRANTFORD  
BRANTFORD ON



Source of Canadian Civil Aeronautical Data : © 2010 NAV CANADA All rights reserved

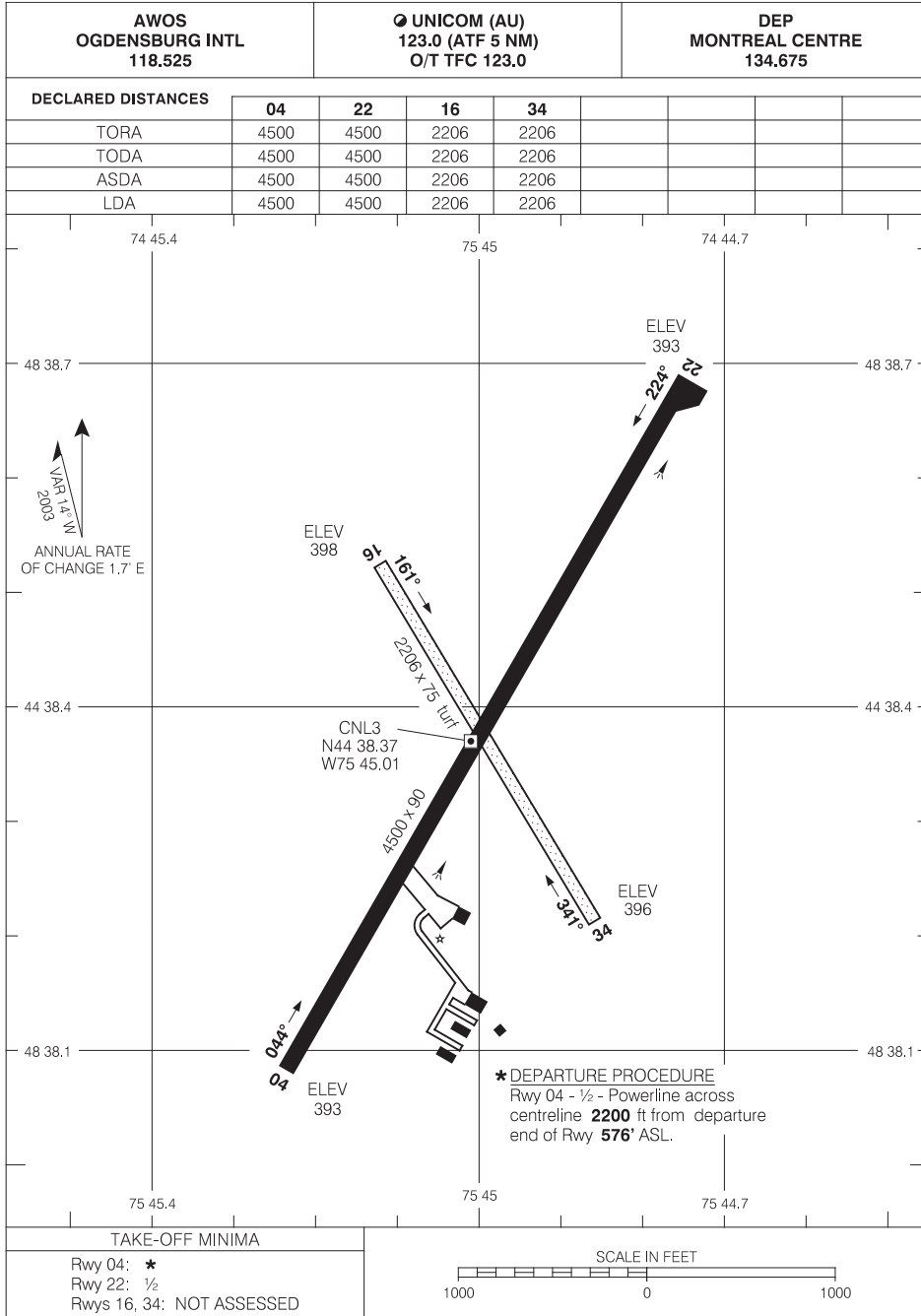
# AERODROME CHART

BRANTFORD ON  
BRANTFORD  
NAD83

EFF 16 FEB 06 CHANGE: Hanger added

# AERODROME CHART

BROCKVILLE-THOUSAND ISLAND REGIONAL TACKABERRY  
BROCKVILLE ON



Source of Canadian Civil Aeronautical Data : © 2010 NAV CANADA All rights reserved

# AERODROME CHART

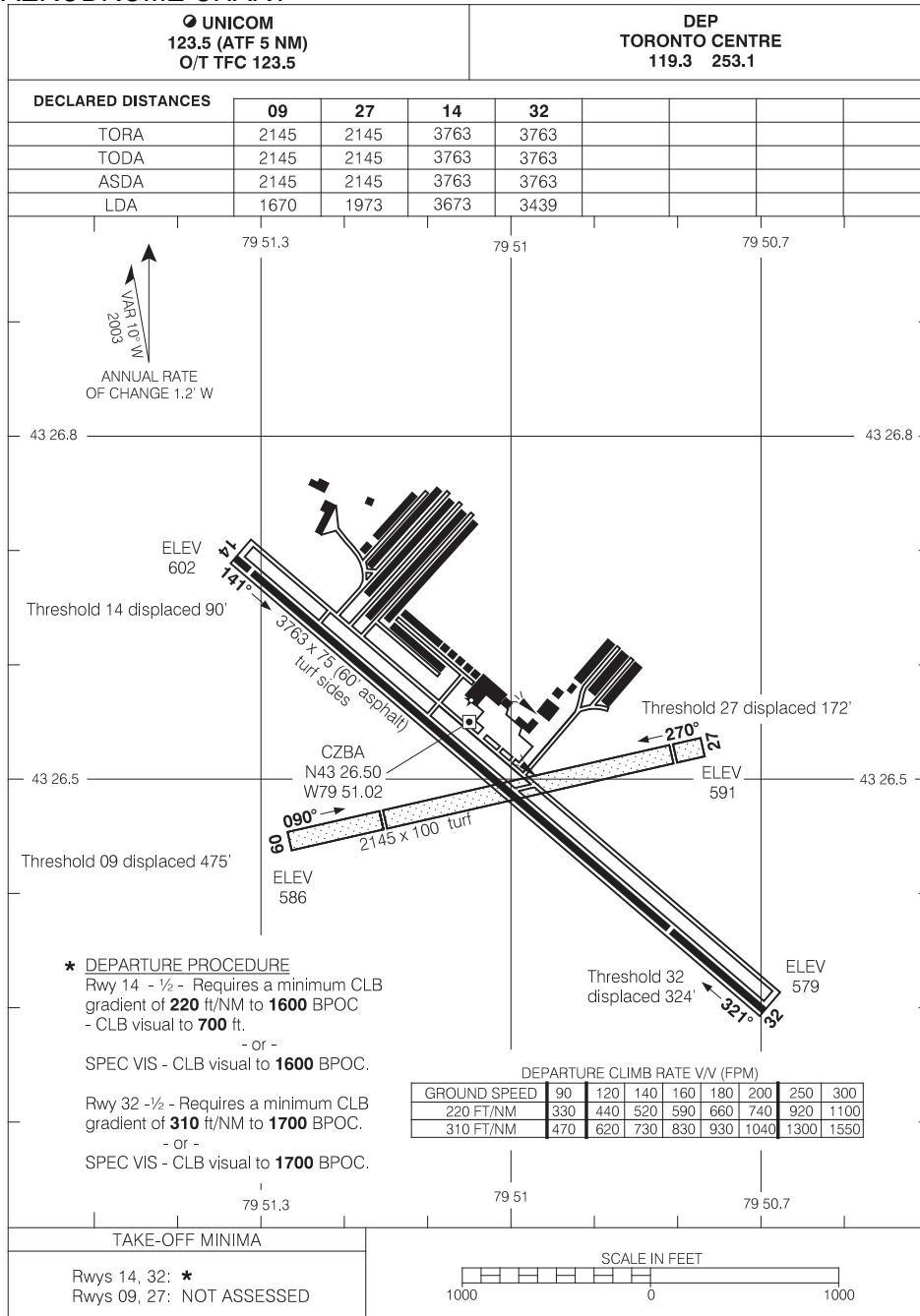
BROCKVILLE ON  
BROCKVILLE-THOUSAND ISLAND REGIONAL TACKABERRY

EFF 22 OCT 09 CHANGE: Editorial, COMM

NAD83

# AERODROME CHART

BURLINGTON AIRPARK  
BURLINGTON ON



Source of Canadian Civil Aeronautical Data : © 2010 NAV CANADA All rights reserved

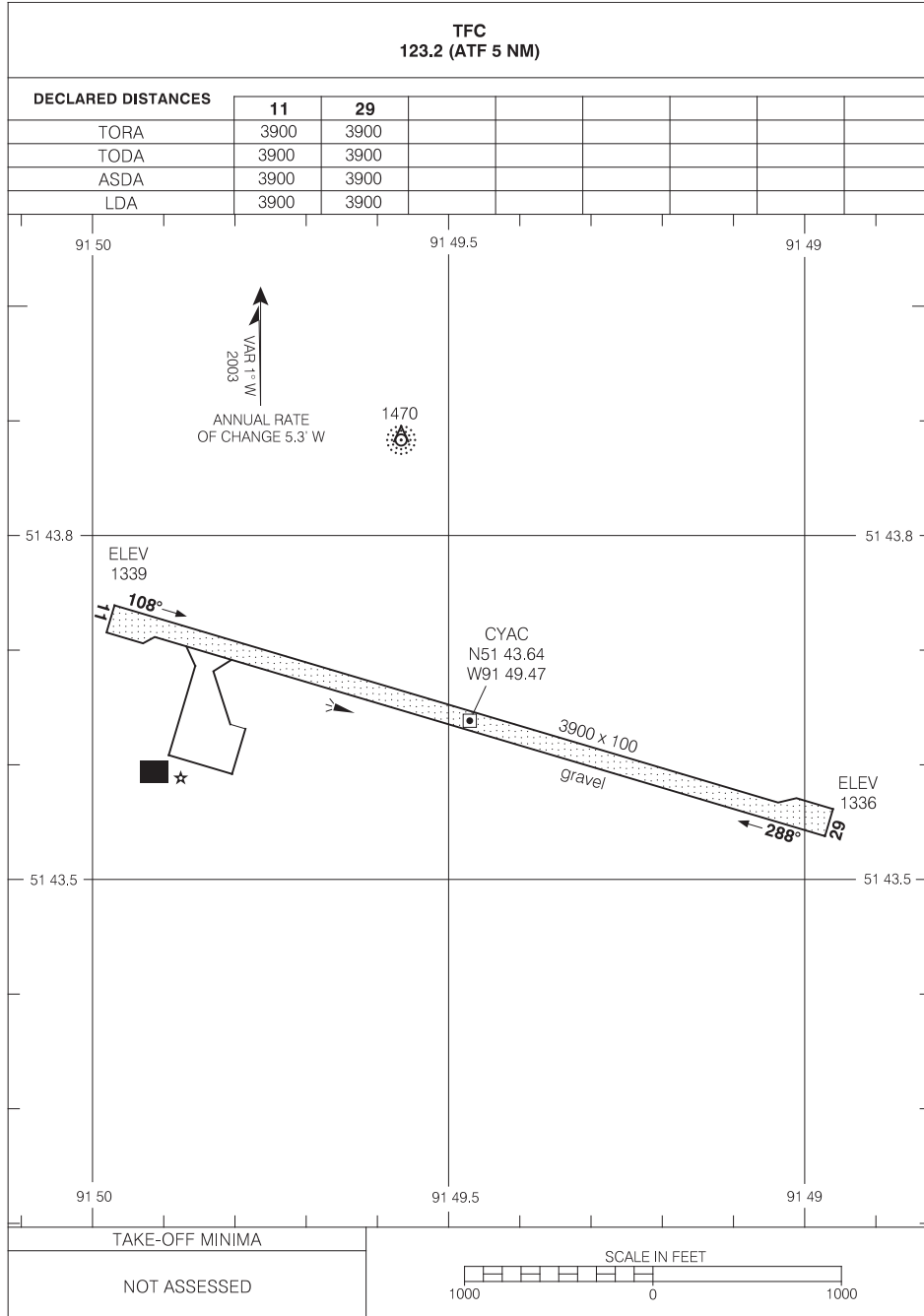
# AERODROME CHART

BURLINGTON ON  
BURLINGTON AIRPARK  
NAD83

EFF 22 OCT 09      CHANGE: Revised rwy

# AERODROME CHART

CAT LAKE  
CAT LAKE ON



Source of Canadian Civil Aeronautical Data : © 2010 NAV CANADA All rights reserved

# AERODROME CHART

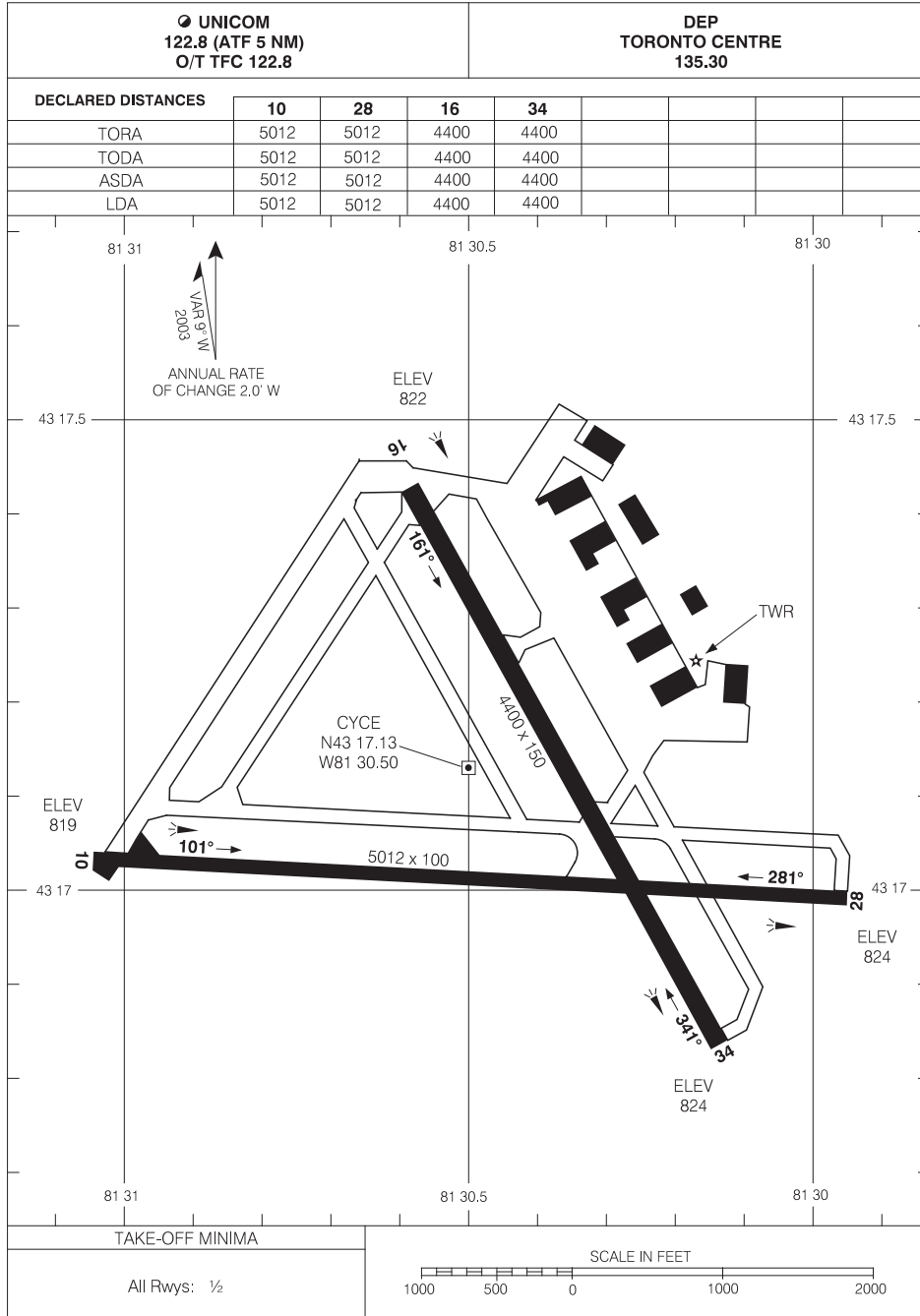
CAT LAKE ON  
CAT LAKE  
NAD83

EFF 22 OCT 09 CHANGE: Declared distances



# AERODROME CHART

CENTRALIA/JAMES T. FIELD MEMORIAL  
CENTRALIA ON



# AERODROME CHART

CENTRALIA ON  
CENTRALIA/JAMES T. FIELD MEMORIAL  
NAD83

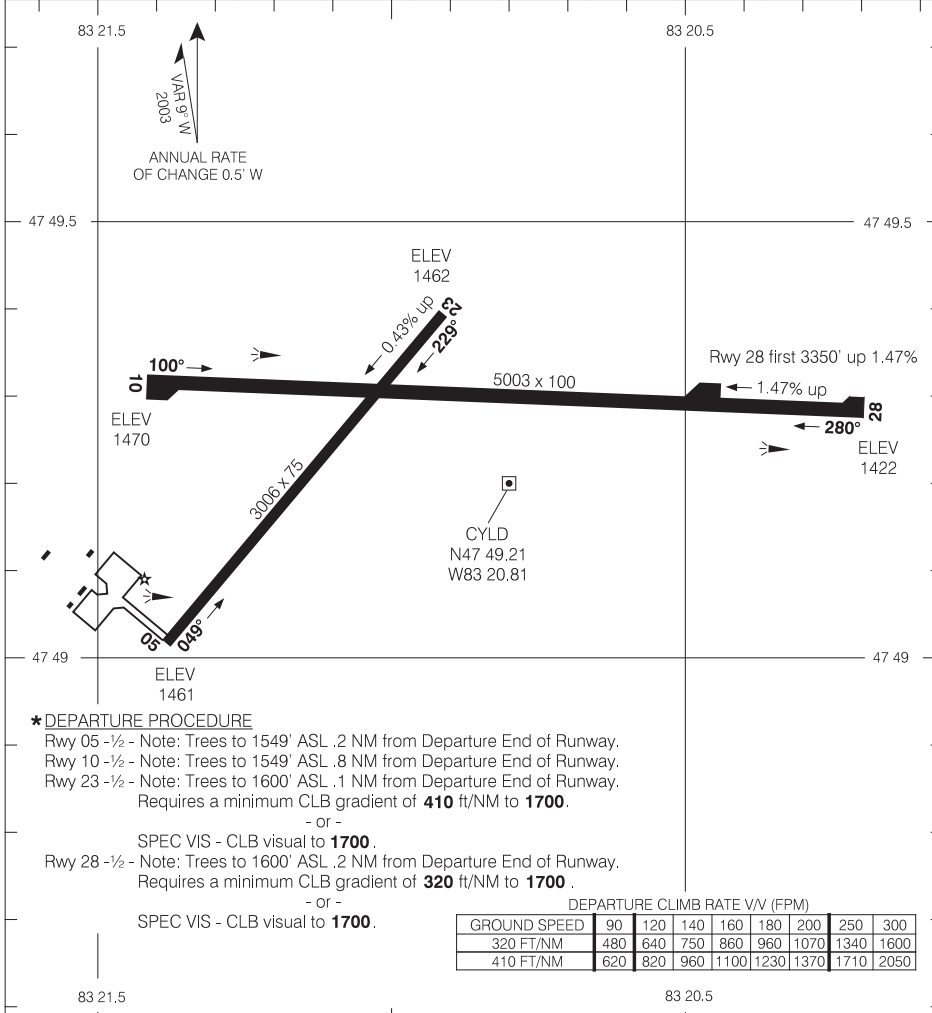
EFF 25 OCT 07 CHANGE: A/D name

# AERODROME CHART

CHAPLEAU  
CHAPLEAU ON

UNICOM (AU)  
122.8 (ATF 5 NM)  
O/T TFC 122.8

DECLARED DISTANCES	05	23	10	28				
TORA	3006	3006	5003	5003				
TODA	4006	4006	5003	5003				
ASDA	3006	3006	5003	5003				
LDA	3006	3006	5003	5003				



**\* DEPARTURE PROCEDURE**

Rwy 05 -½ - Note: Trees to 1549' ASL .2 NM from Departure End of Runway.  
 Rwy 10 -½ - Note: Trees to 1549' ASL .8 NM from Departure End of Runway.  
 Rwy 23 -½ - Note: Trees to 1600' ASL .1 NM from Departure End of Runway.  
 Requires a minimum CLB gradient of **410 ft/NM to 1700**.  
 - or -  
 SPEC VIS - CLB visual to **1700**.  
 Rwy 28 -½ - Note: Trees to 1600' ASL .2 NM from Departure End of Runway.  
 Requires a minimum CLB gradient of **320 ft/NM to 1700**.  
 - or -  
 SPEC VIS - CLB visual to **1700**.

DEPARTURE CLIMB RATE V/V (FPM)							
GROUND SPEED	90	120	140	160	180	200	300
320 FT/NM	480	640	750	860	960	1070	1600
410 FT/NM	620	820	960	1100	1230	1370	2050

TAKE-OFF MINIMA

All Rwys: \*

SCALE IN FEET

1000 0 1000

Source of Canadian Civil Aeronautical Data : © 2010 NAV CANADA All rights reserved

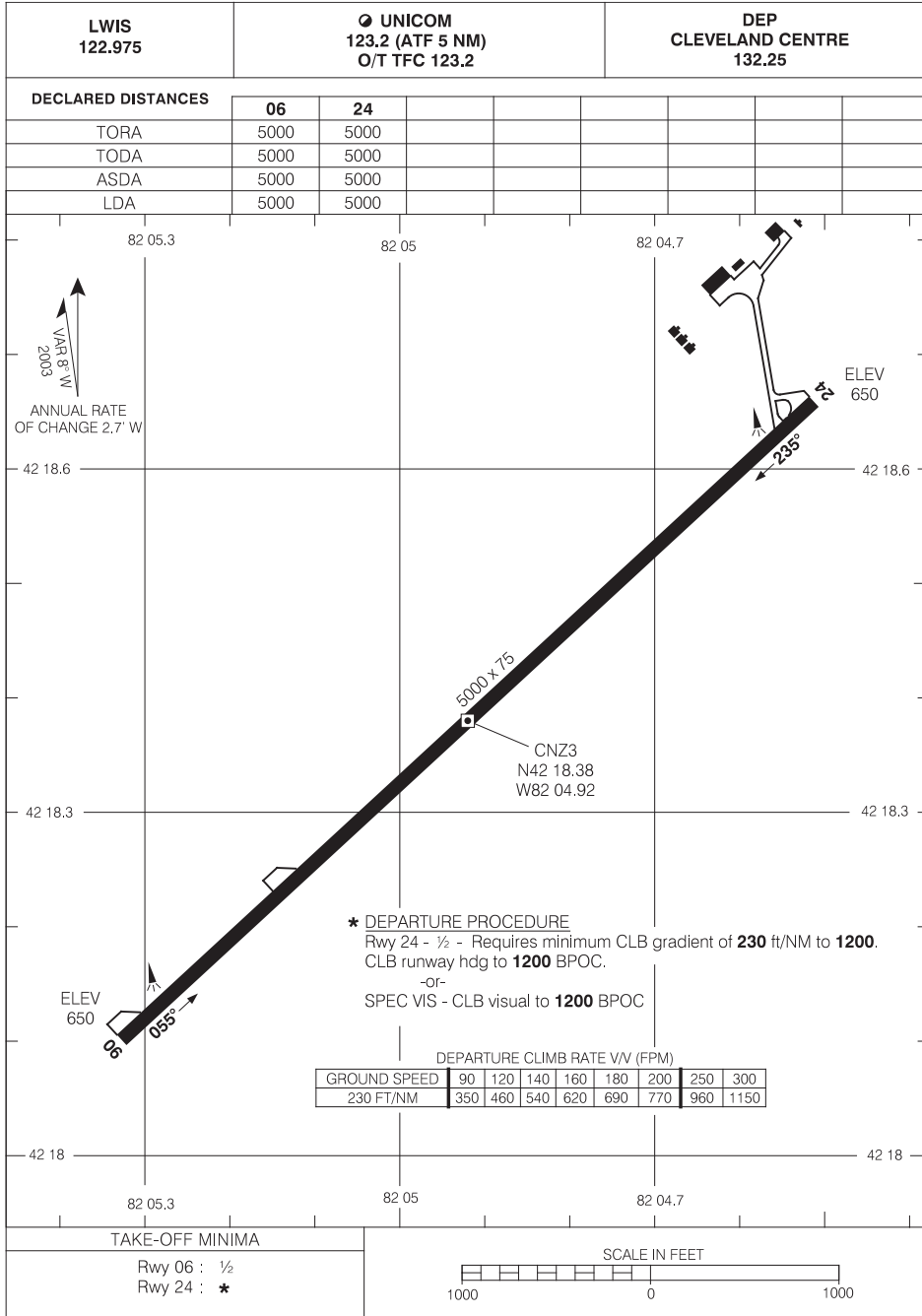
# AERODROME CHART

CHAPLEAU ON  
CHAPLEAU  
NAD83

EFF 2 JUL 09 CHANGE: Revised

# AERODROME CHART

CHATHAM-KENT  
CHATHAM ON



Source of Canadian Civil Aeronautical Data : © 2010 NAV CANADA All rights reserved

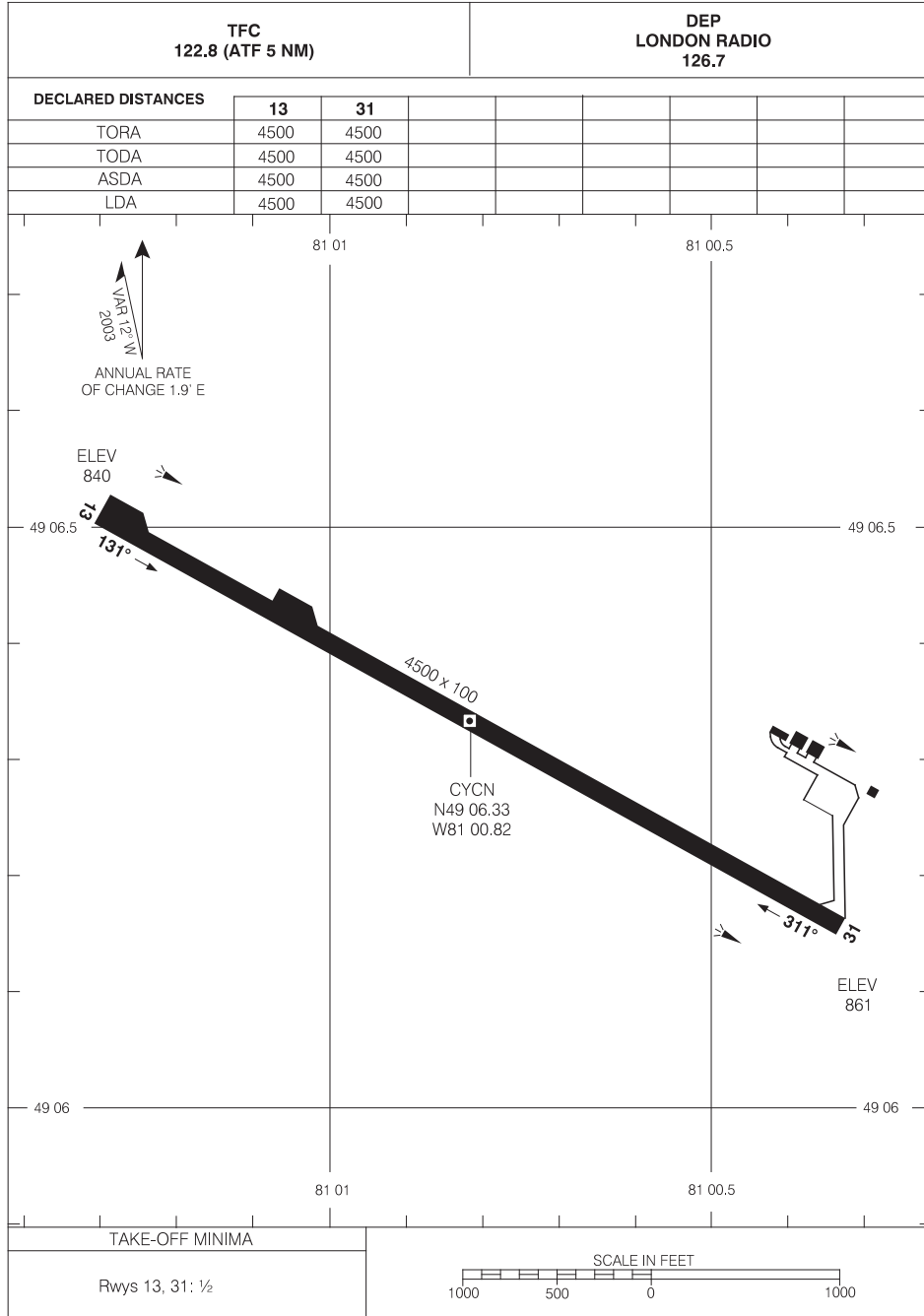
# AERODROME CHART

CHATHAM ON  
CHATHAM-KENT  
NAD83

EFF 27 AUG 09 CHANGE: Revised

# AERODROME CHART

COCHRANE  
COCHRANE ON



Source of Canadian Civil Aeronautical Data : © 2010 NAV CANADA All rights reserved

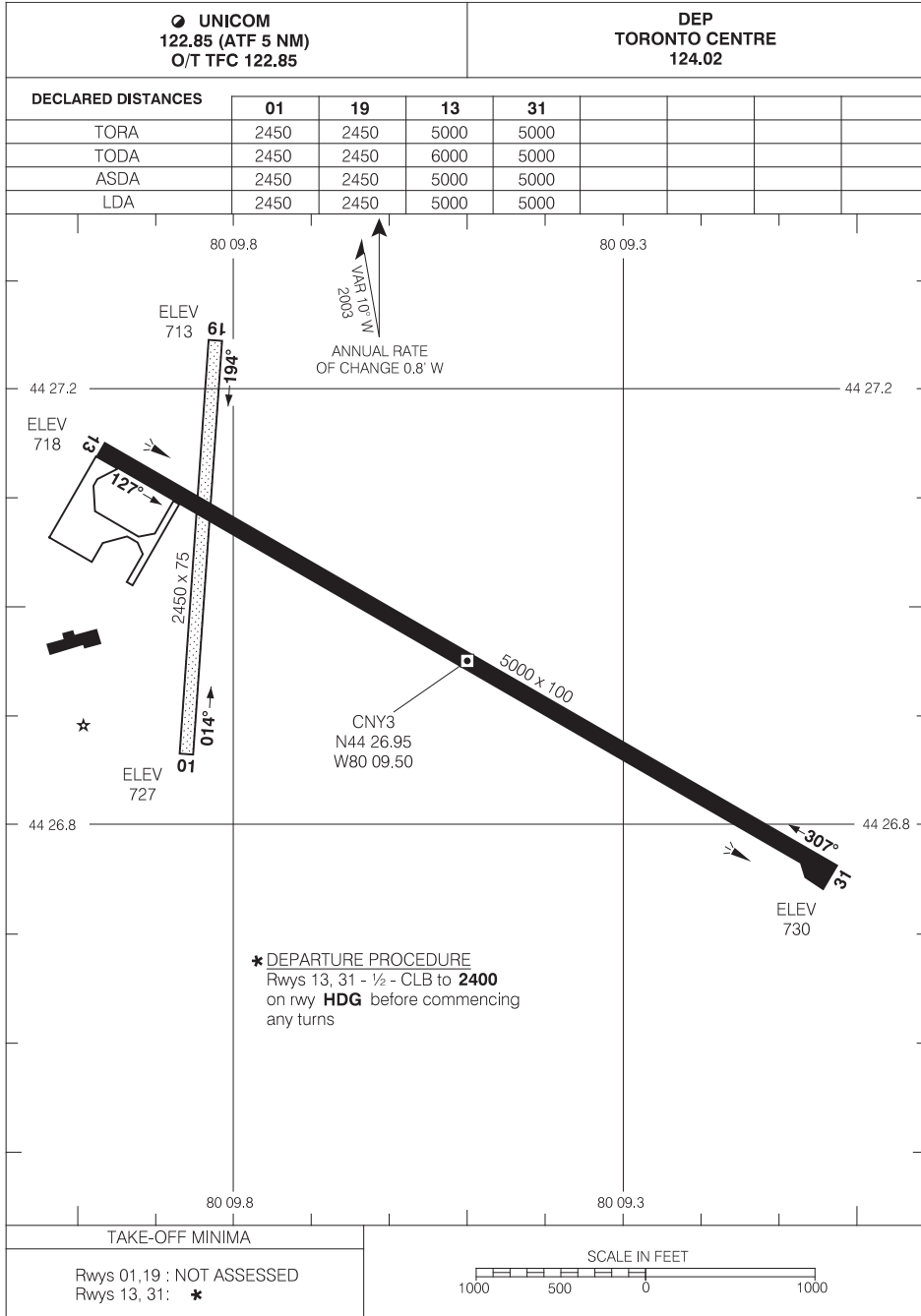
# AERODROME CHART

COCHRANE ON  
COCHRANE  
NAD83

EFF 13 APR 06 CHANGE: Editorial

# AERODROME CHART

COLLINGWOOD  
COLLINGWOOD ON



Source of Canadian Civil Aeronautical Data : © 2010 NAV CANADA All rights reserved

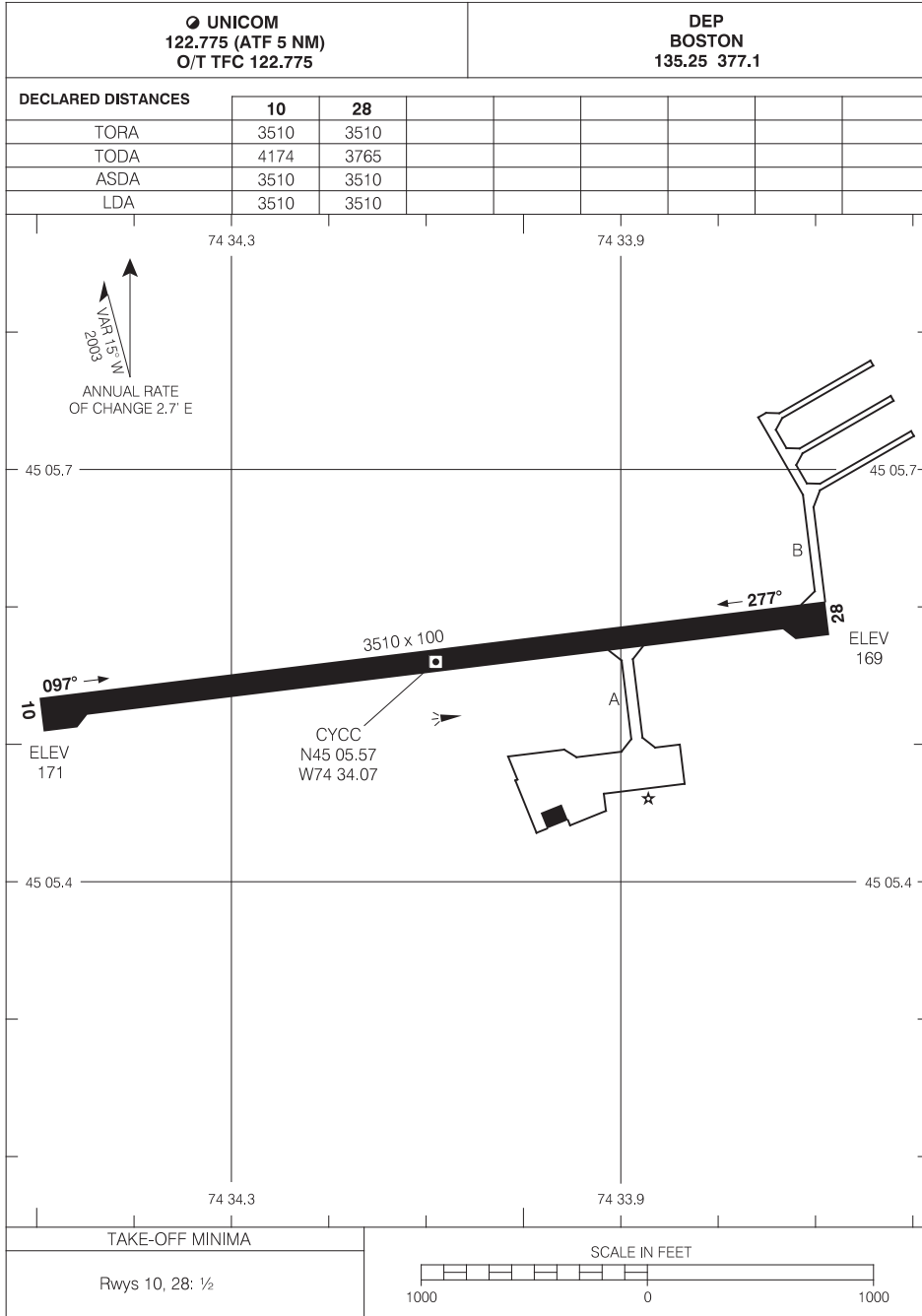
# AERODROME CHART

COLLINGWOOD ON  
COLLINGWOOD  
NAD83

EFF 27 AUG 09 CHANGE: Declared distances

# AERODROME CHART

CORNWALL REGIONAL  
CORNWALL ON



Source of Canadian Civil Aeronautical Data : © 2010 NAV CANADA All rights reserved

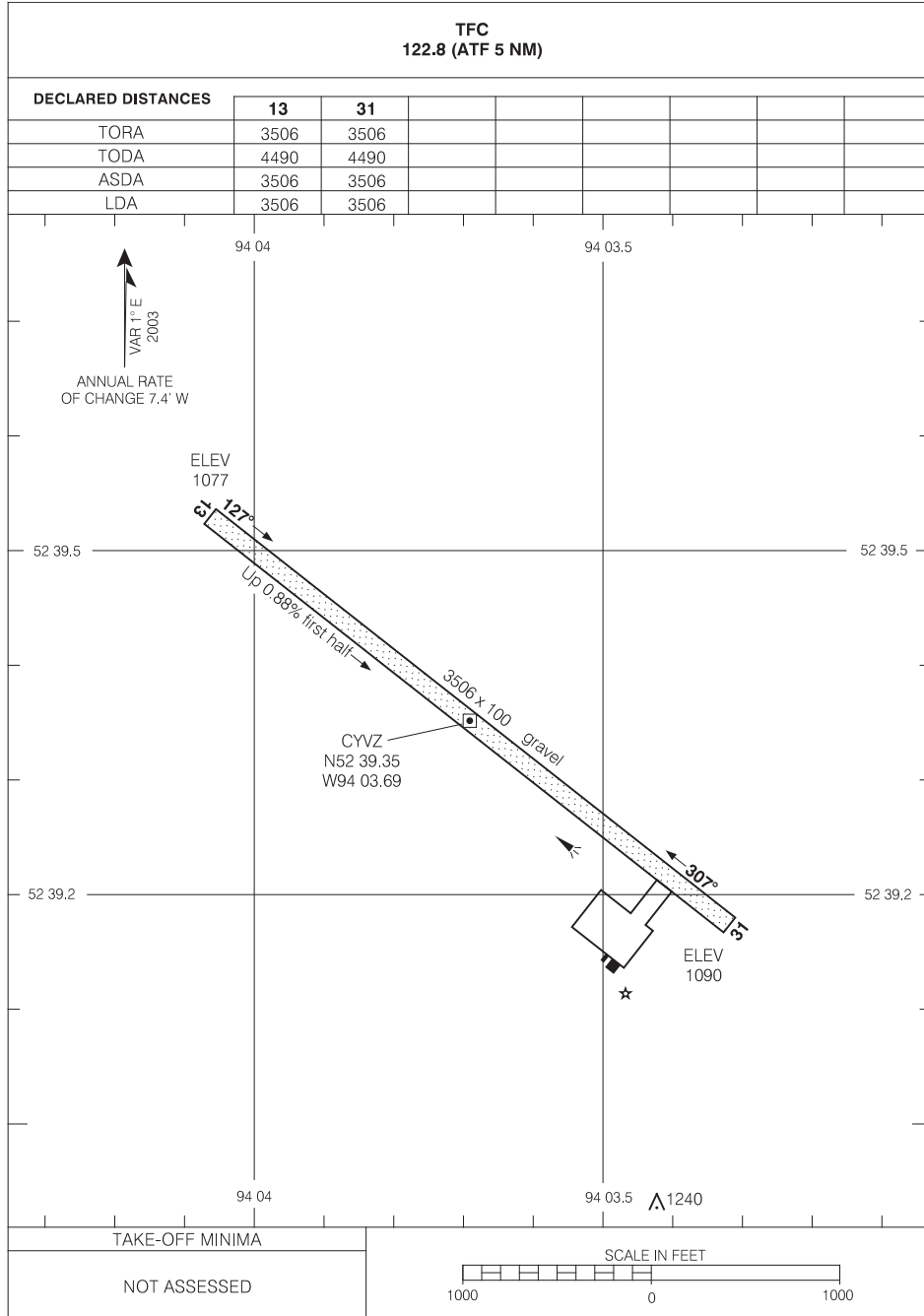
# AERODROME CHART

CORNWALL ON  
CORNWALL REGIONAL  
NAD83

EFF 15 JAN 09      CHANGE: Revised

# AERODROME CHART

DEER LAKE  
DEER LAKE ON



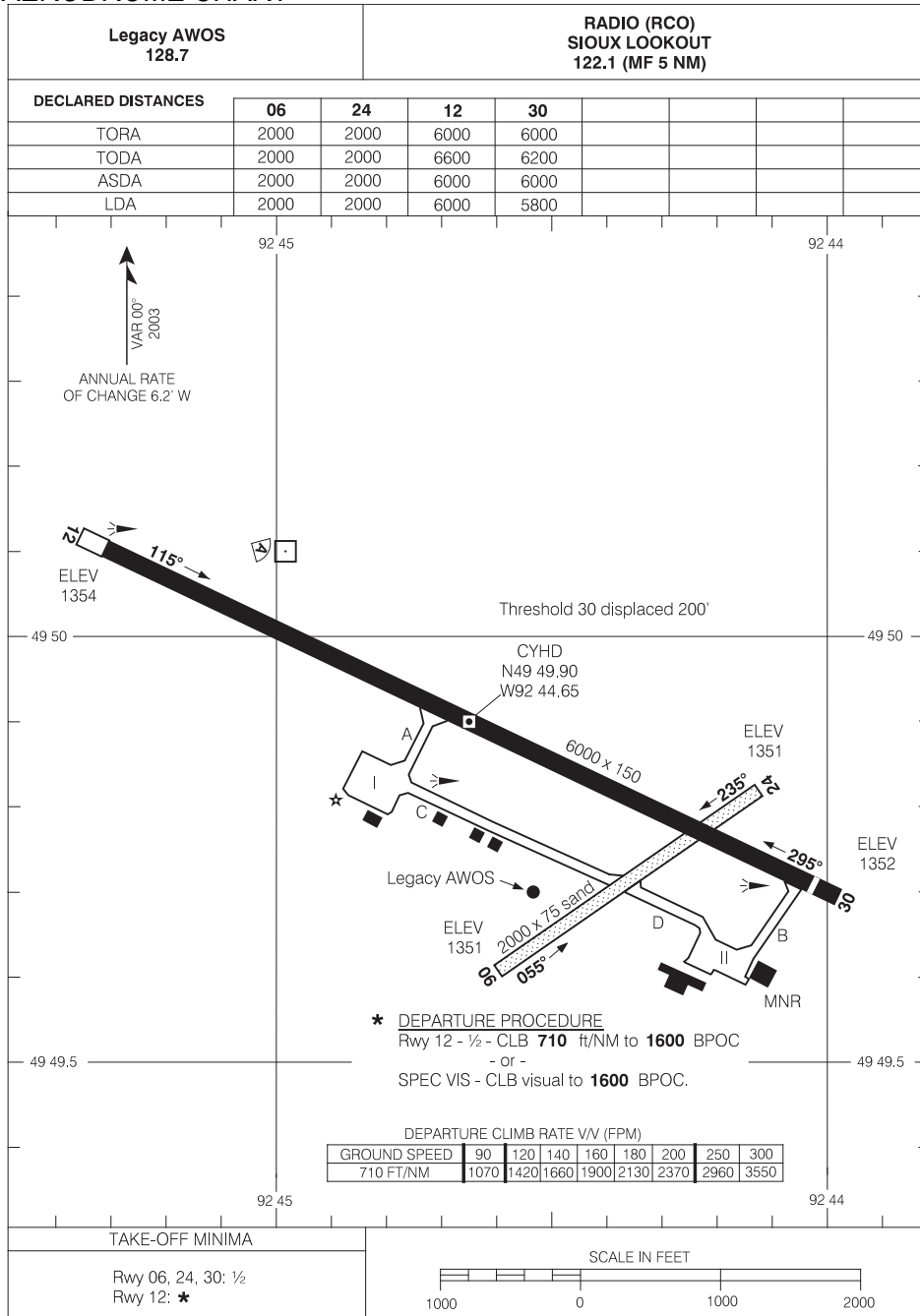
# AERODROME CHART

DEER LAKE ON  
DEER LAKE  
NAD83

EFF 11 FEB 10 CHANGE: Revised

# AERODROME CHART

DRYDEN REGIONAL  
DRYDEN ON



Source of Canadian Civil Aeronautical Data : © 2010 NAV CANADA All rights reserved

# AERODROME CHART

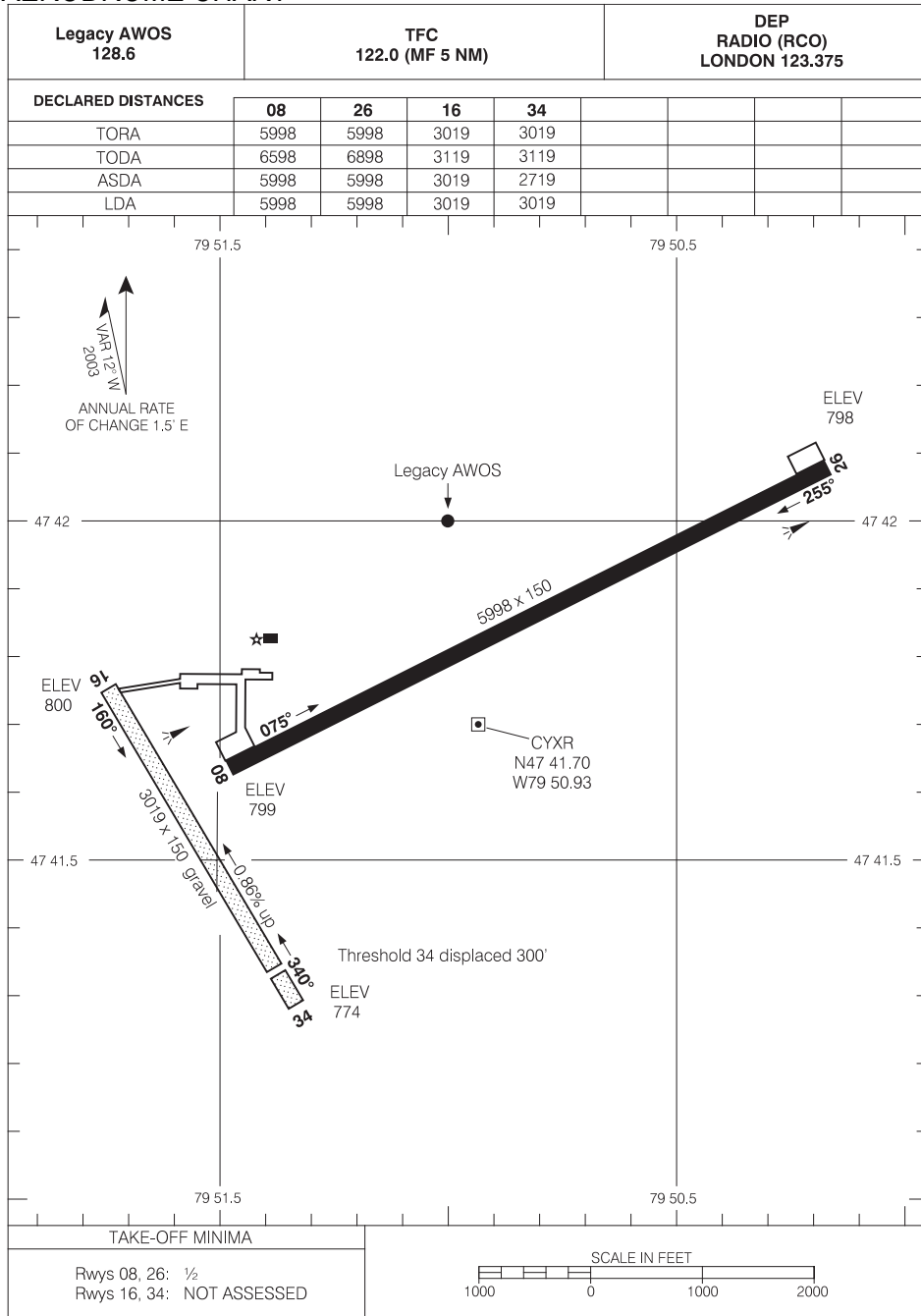
DRYDEN ON  
DRYDEN REGIONAL  
NAD83

EFF 27 AUG 09 CHANGE: Declared distances



# AERODROME CHART

EARLTON (TIMISKAMING REGIONAL)  
EARLTON ON



Source of Canadian Civil Aeronautical Data : © 2010 NAV CANADA All rights reserved

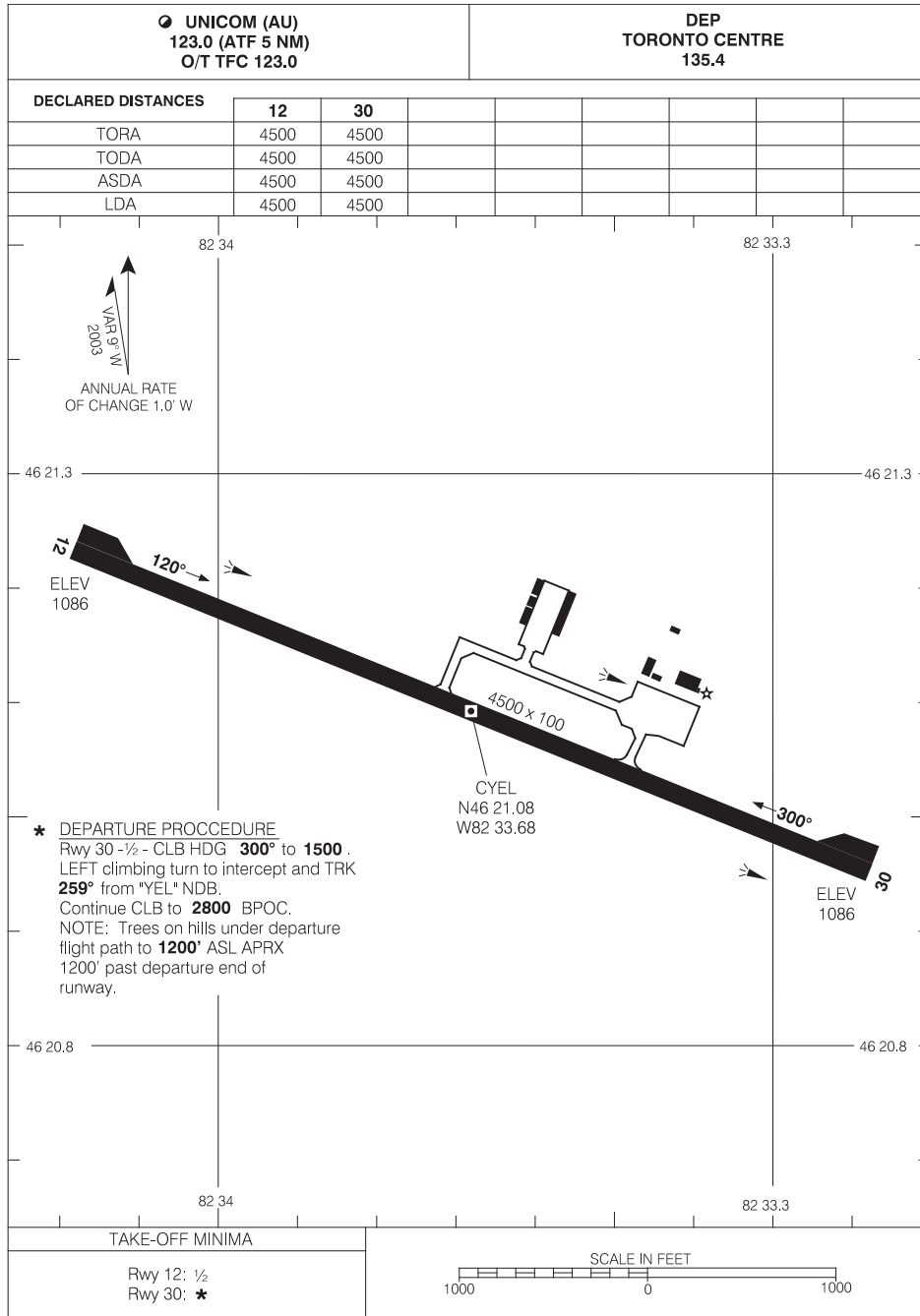
# AERODROME CHART

EARLTON ON  
EARLTON (TIMISKAMING REGIONAL)  
NAD83

EFF 17 DEC 09 CHANGE: Revised

# AERODROME CHART

ELLIOT LAKE MUNI  
ELLIOT LAKE ON



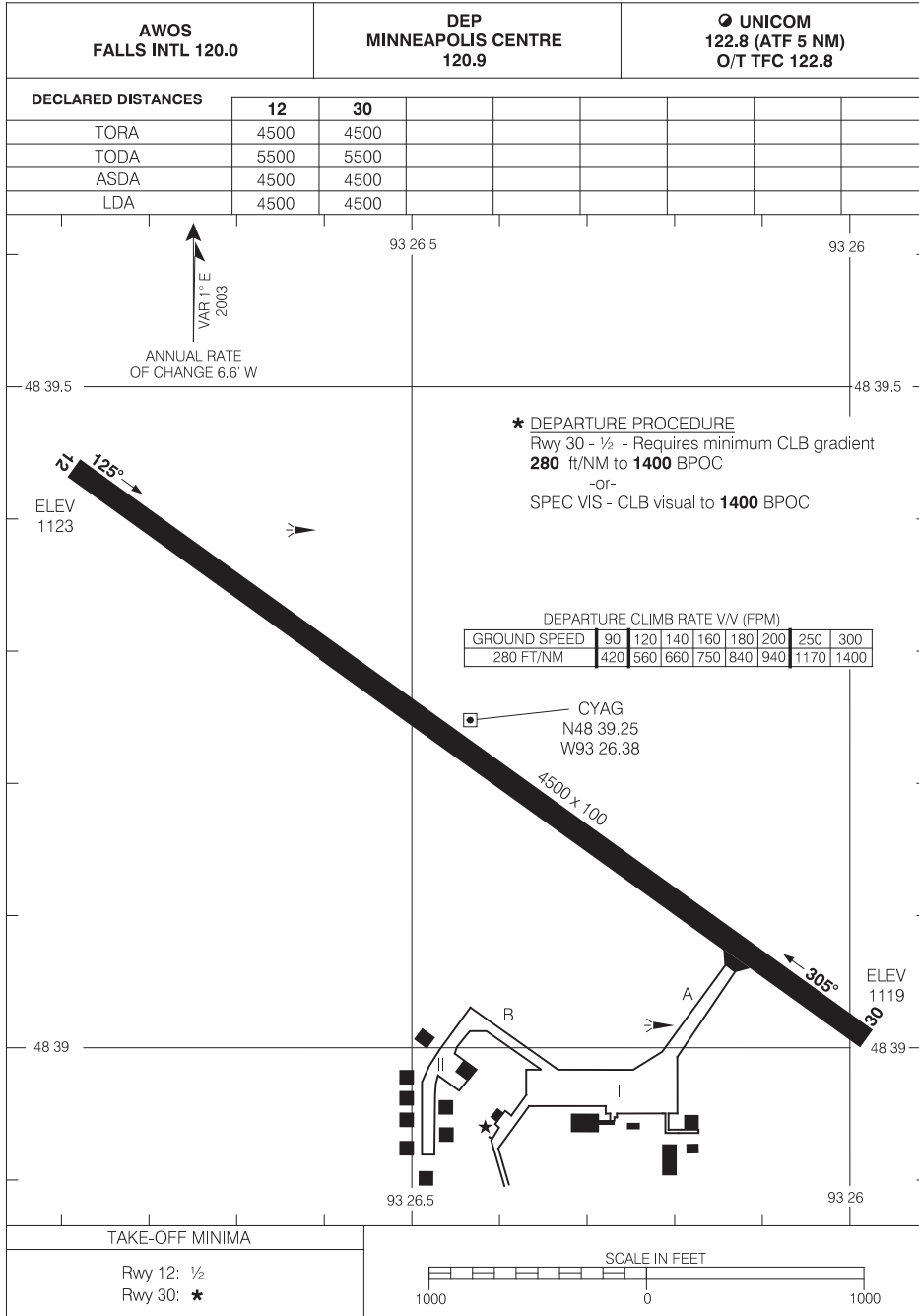
# AERODROME CHART

ELLIOT LAKE ON  
ELLIOT LAKE MUNI  
NAD83

EFF 22 OCT 09 CHANGE: COMM

# AERODROME CHART

FORT FRANCES MUNI  
FORT FRANCES ON



Source of Canadian Civil Aeronautical Data : © 2010 NAV CANADA All rights reserved

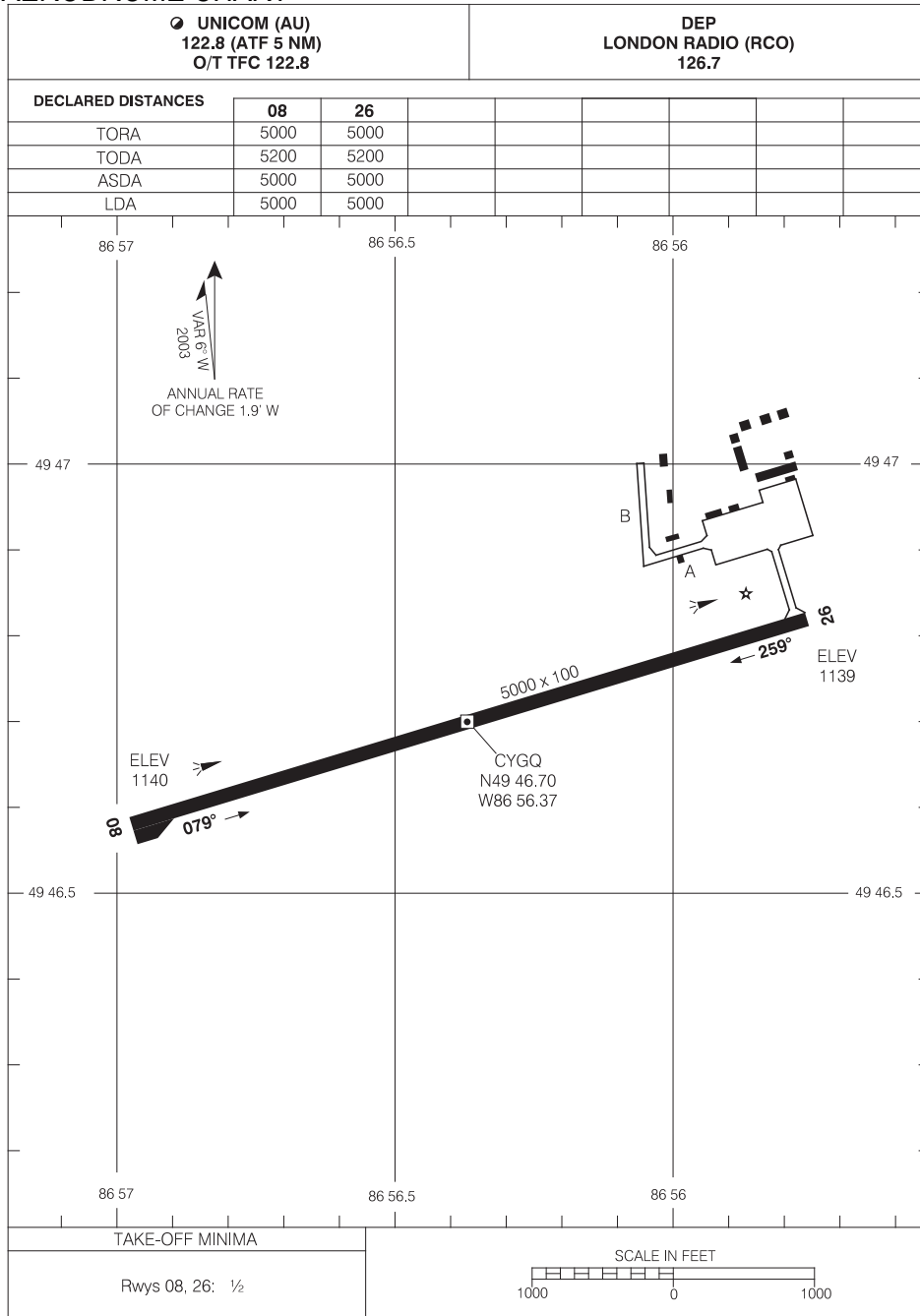
# AERODROME CHART

FORT FRANCES ON  
FORT FRANCES MUNI  
NAD83

EFF 17 DEC 09 CHANGE: Rwy closed

# AERODROME CHART

GERALDTON (GREENSTONE REGIONAL)  
GERALDTON ON



Source of Canadian Civil Aeronautical Data : © 2010 NAV CANADA All rights reserved

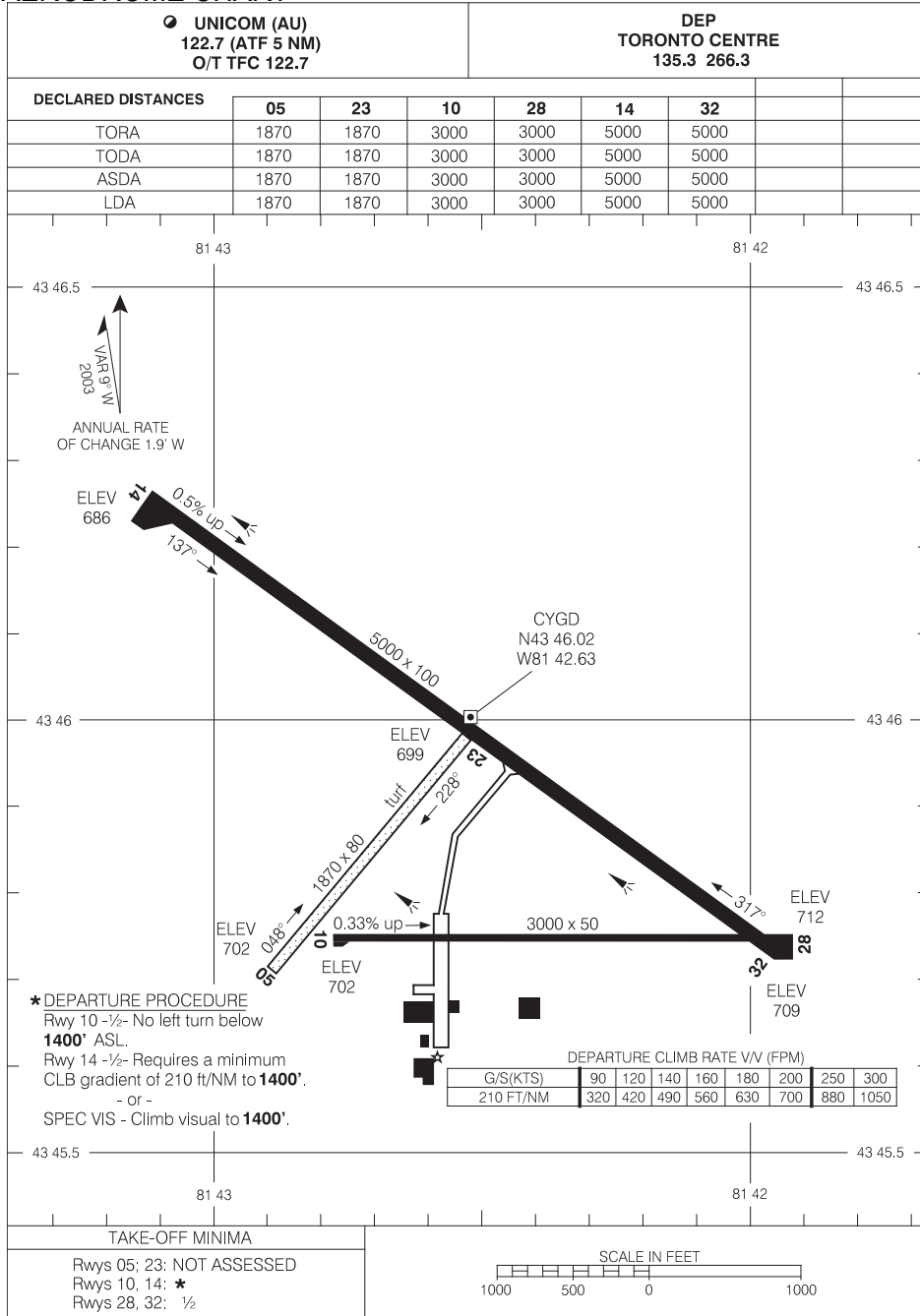
# AERODROME CHART

GERALDTON ON  
GERALDTON (GREENSTONE REGIONAL)  
NAD83

EFF 25 OCT 07 CHANGE: Helipads removed

# AERODROME CHART

GODERICH  
GODERICH ON



Source of Canadian Civil Aeronautical Data : © 2010 NAV CANADA All rights reserved

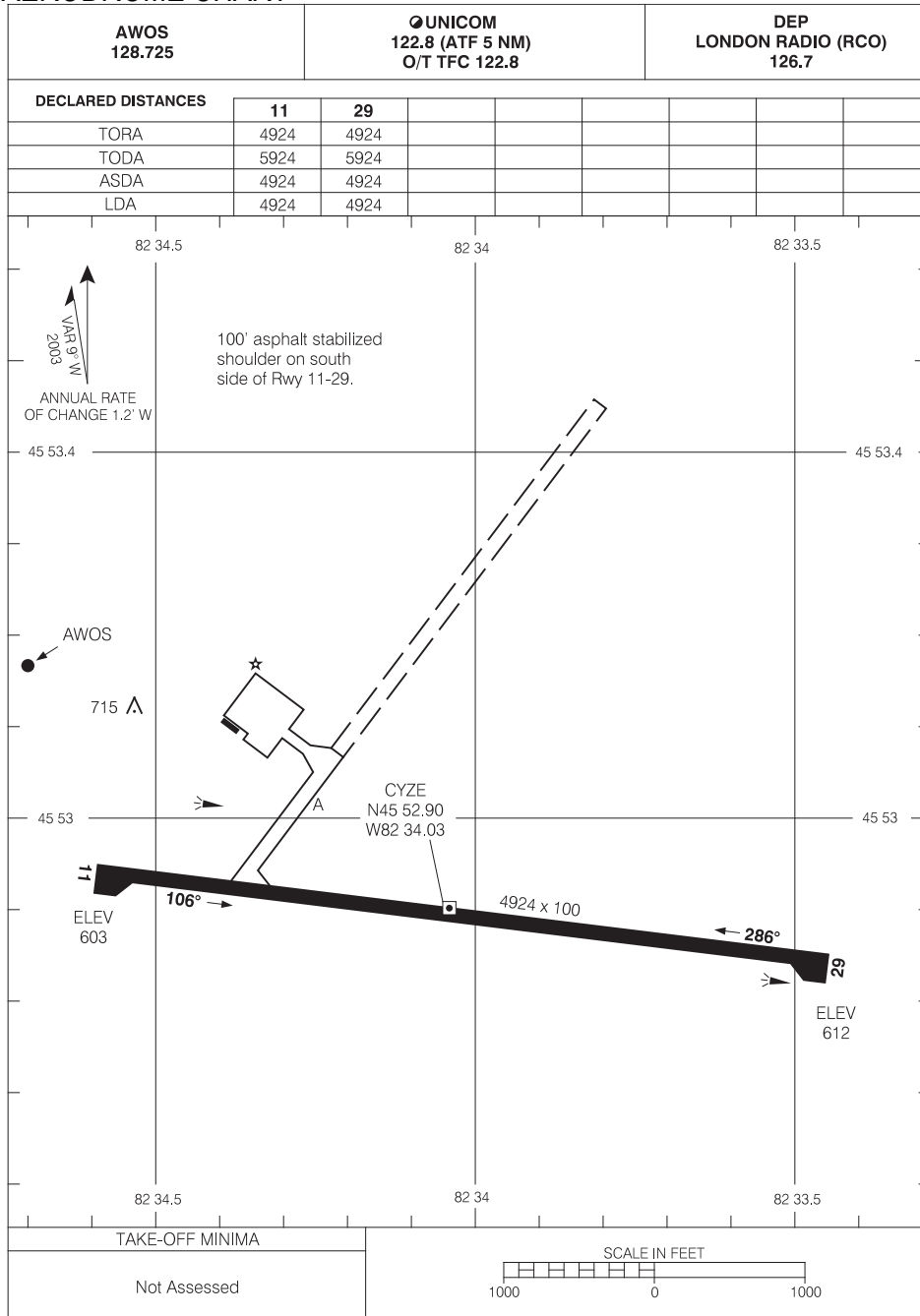
# AERODROME CHART

GODERICH ON  
GODERICH  
NAD83

EFF 10 APR 08 CHANGE: Declared distances

# AERODROME CHART

GORE BAY-MANITOULIN  
GORE BAY ON



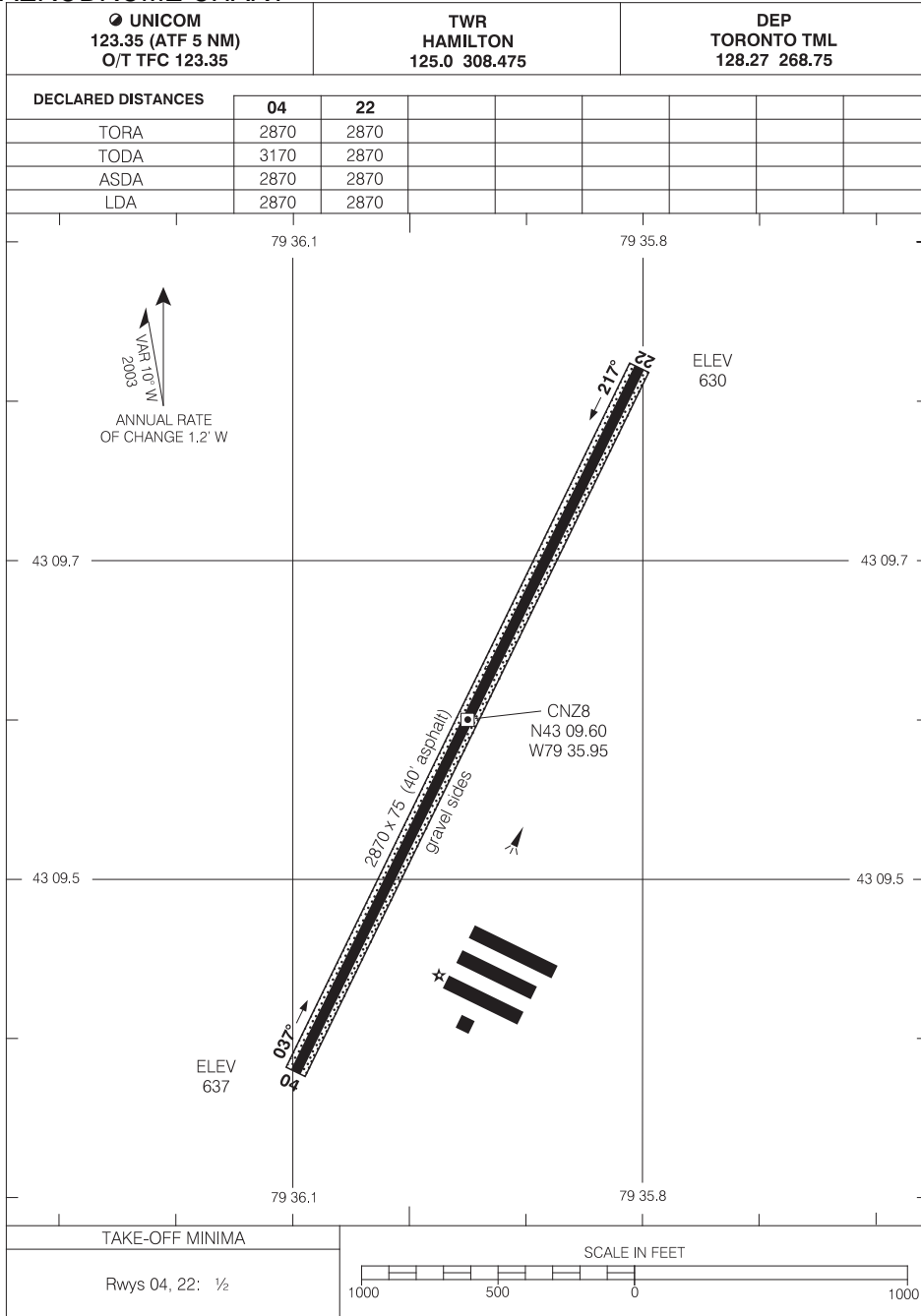
# AERODROME CHART

GORE BAY ON  
GORE BAY-MANITOULIN  
NAD83

EFF 22 OCT 09      CHANGE: AWOS

# AERODROME CHART

GRIMSBY AIR PARK  
GRIMSBY ON



Source of Canadian Civil Aeronautical Data : © 2010 NAV CANADA All rights reserved

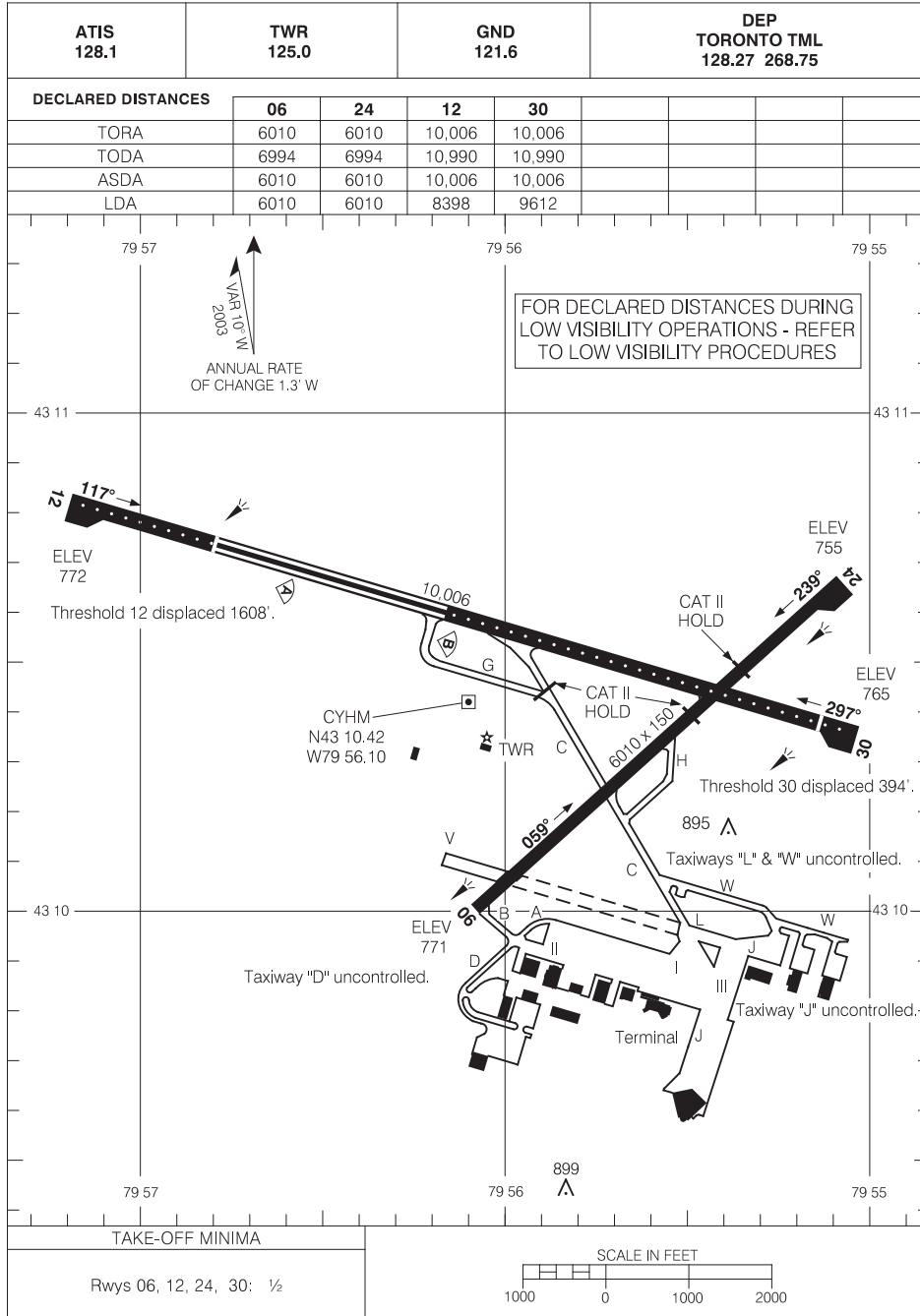
# AERODROME CHART

GRIMSBY ON  
GRIMSBY AIR PARK  
NAD83

EFF 13 APR 06 CHANGE: Editorial

# AERODROME CHART

HAMILTON  
HAMILTON ON



Source of Canadian Civil Aeronautical Data : © 2010 NAV CANADA All rights reserved

# AERODROME CHART

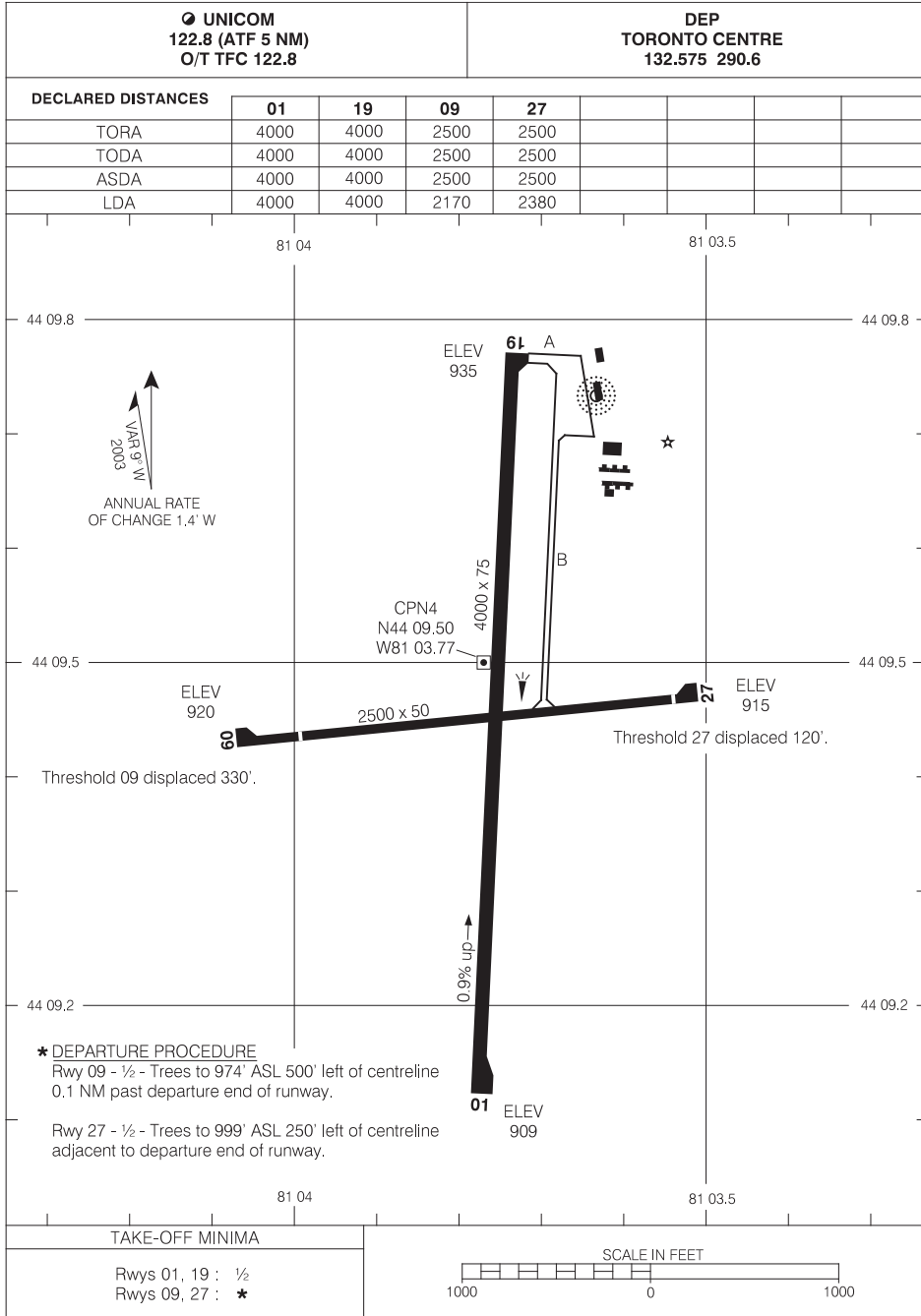
HAMILTON ON  
HAMILTON  
NAD83

EFF 17 DEC 09 CHANGE: Revised



# AERODROME CHART

HANOVER /SAUGEEN MUNI  
HANOVER ON



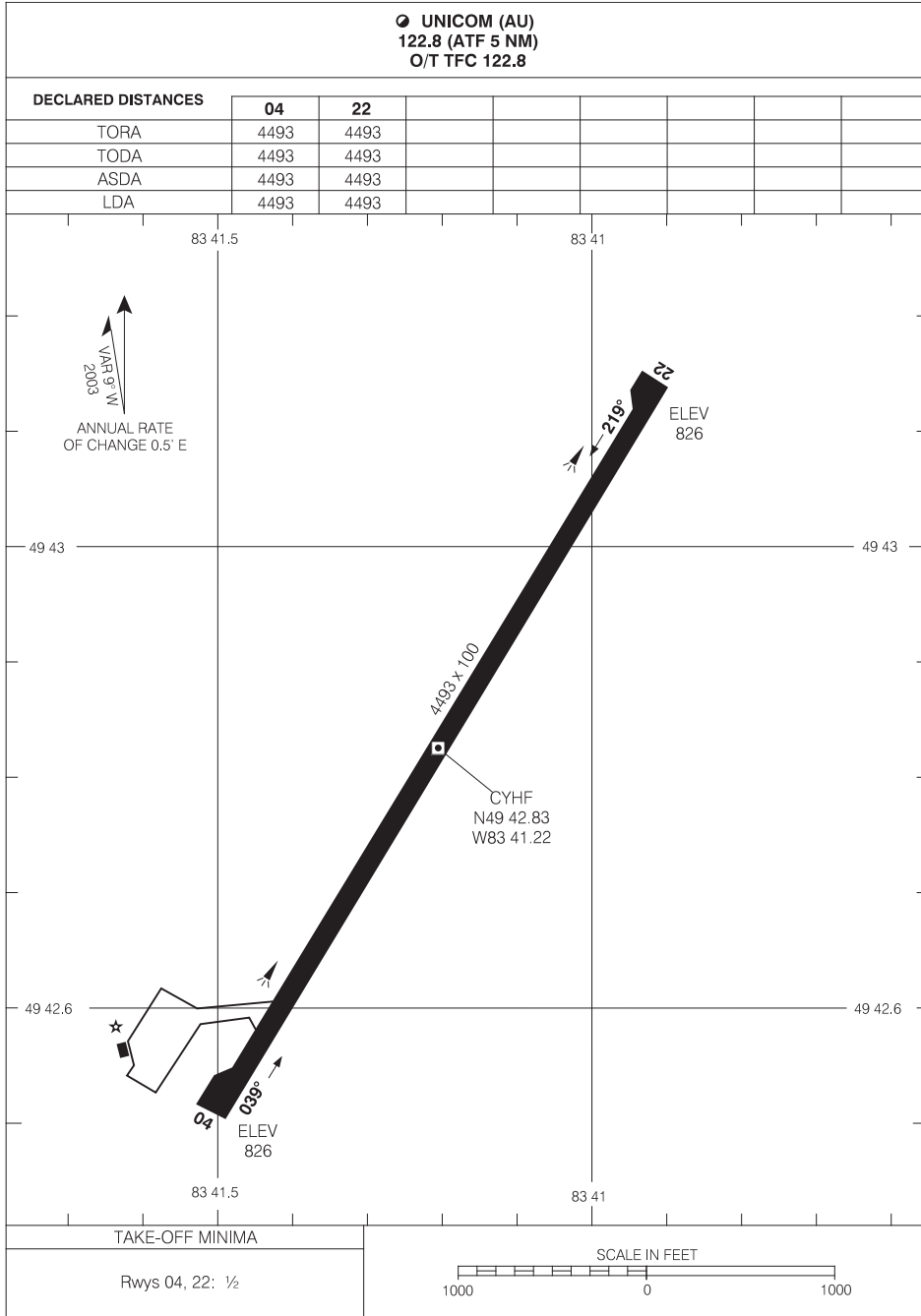
# AERODROME CHART

HANOVER ON  
HANOVER /SAUGEEN MUNI  
NAD83

EFF 10 APR 08 CHANGE: Declared distances

# AERODROME CHART

HEARST (RENE FONTAINE) MUNI  
HEARST ON



Source of Canadian Civil Aeronautical Data : © 2010 NAV CANADA All rights reserved

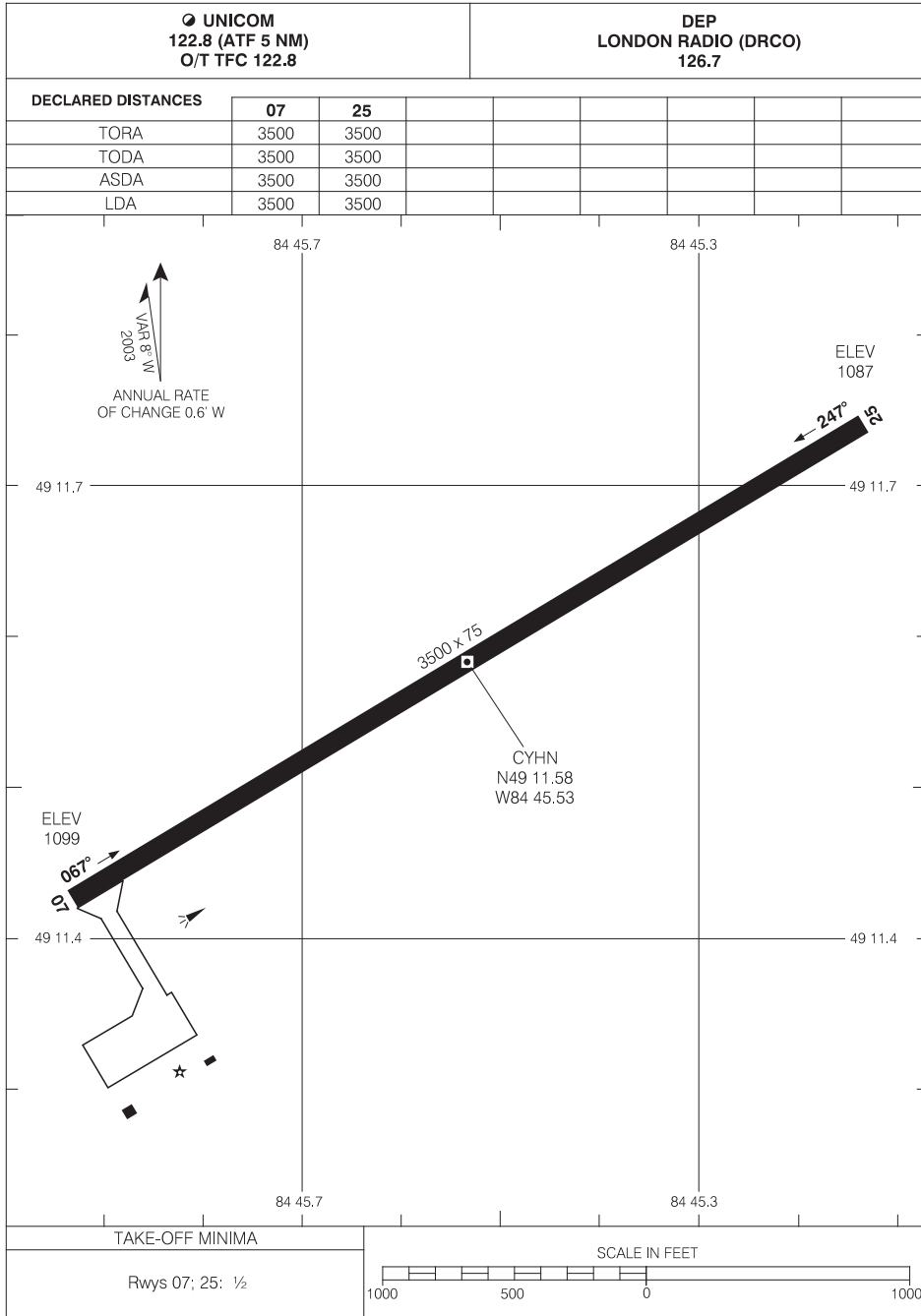
# AERODROME CHART

HEARST ON  
HEARST (RENE FONTAINE) MUNI  
NAD83

EFF 7 MAY 09 CHANGE: Revised

# AERODROME CHART

HORNEPAYNE MUNI  
HORNEPAYNE ON



Source of Canadian Civil Aeronautical Data : © 2010 NAV CANADA All rights reserved

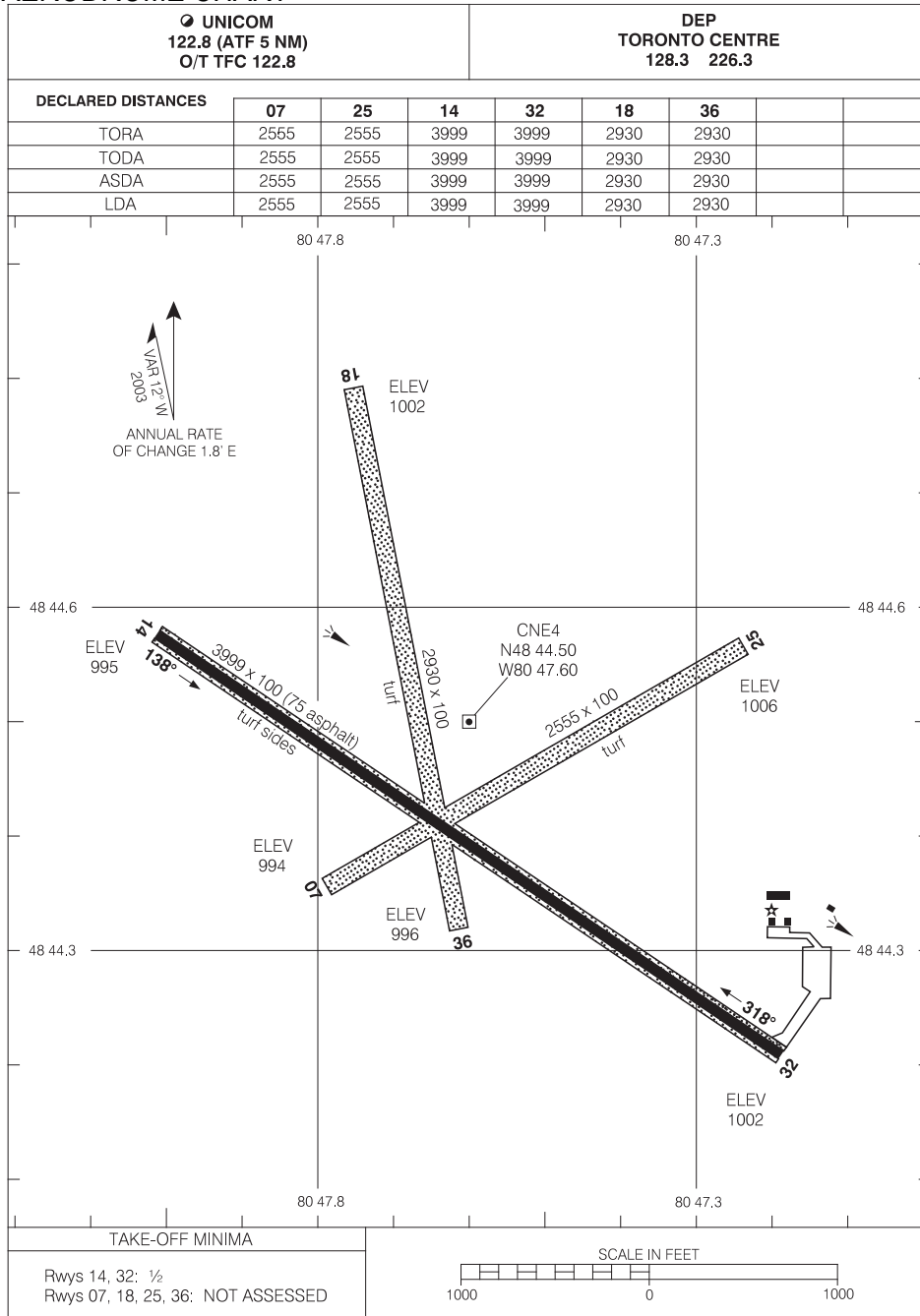
# AERODROME CHART

HORNEPAYNE ON  
HORNEPAYNE MUNI  
NAD83

EFF 13 APR 06 CHANGE: Editorial

# AERODROME CHART

IROQUOIS FALLS  
IROQUOIS FALLS ON



Source of Canadian Civil Aeronautical Data : © 2010 NAV CANADA All rights reserved

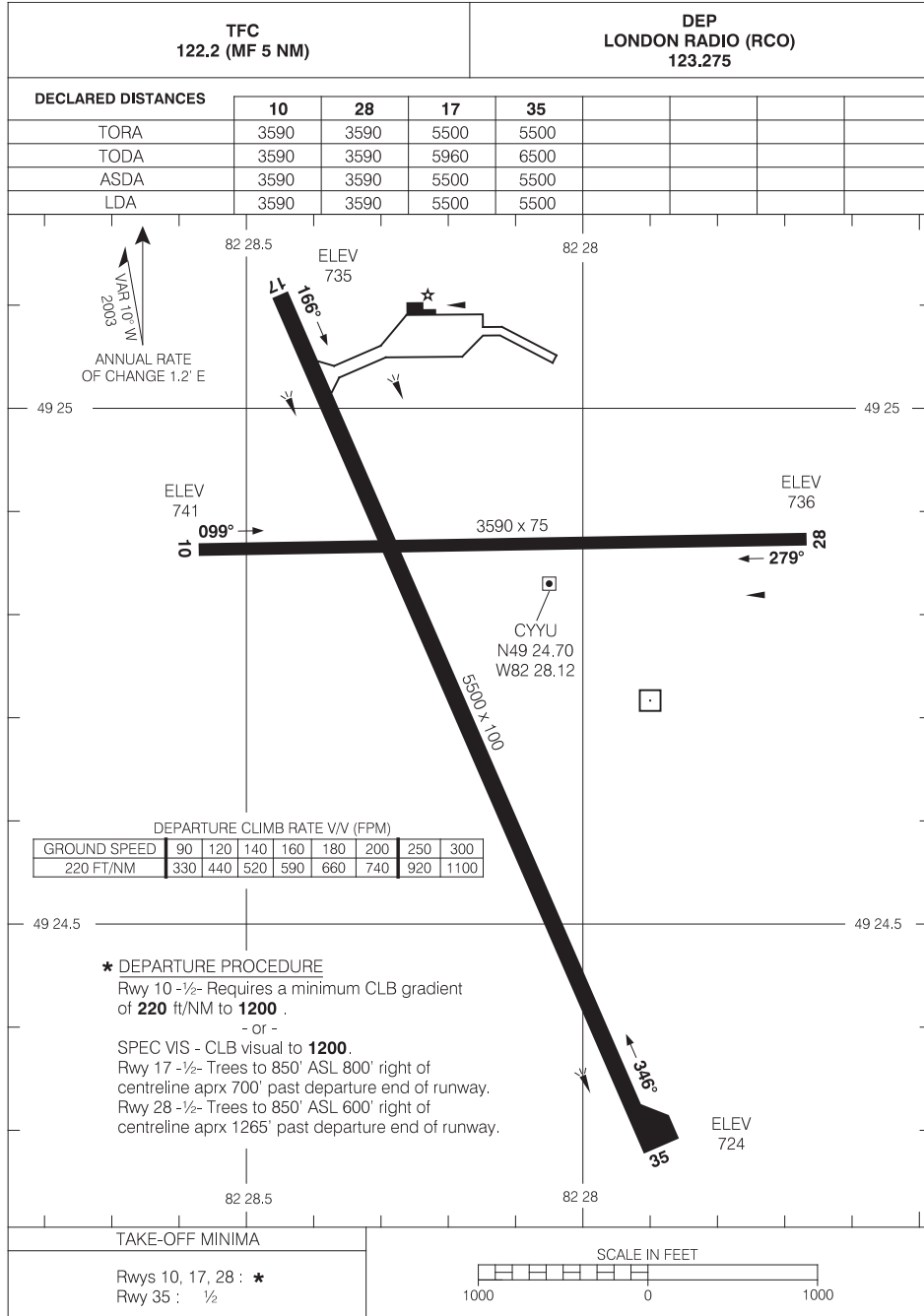
# AERODROME CHART

IROQUOIS FALLS ON  
IROQUOIS FALLS  
NAD83

EFF 13 APR 06 CHANGE: Editorial

# AERODROME CHART

KAPUSKASING  
KAPUSKASING ON



Source of Canadian Civil Aeronautical Data : © 2010 NAV CANADA All rights reserved

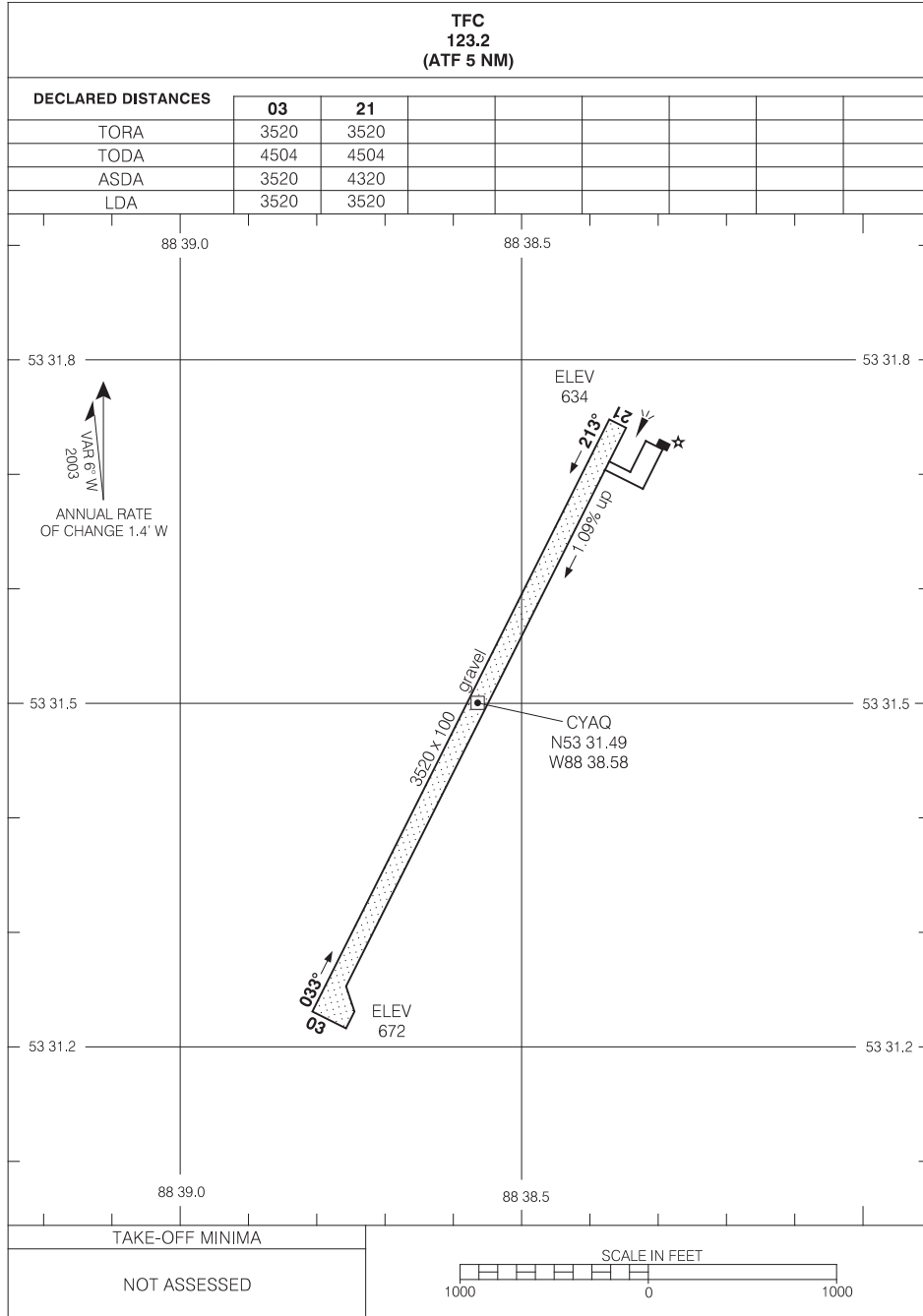
# AERODROME CHART

KAPUSKASING ON  
KAPUSKASING  
NAD83

EFF 27 AUG 09 CHANGE: Declared distances

# AERODROME CHART

KASABONIKA  
KASABONIKA ON



Source of Canadian Civil Aeronautical Data : © 2010 NAV CANADA All rights reserved

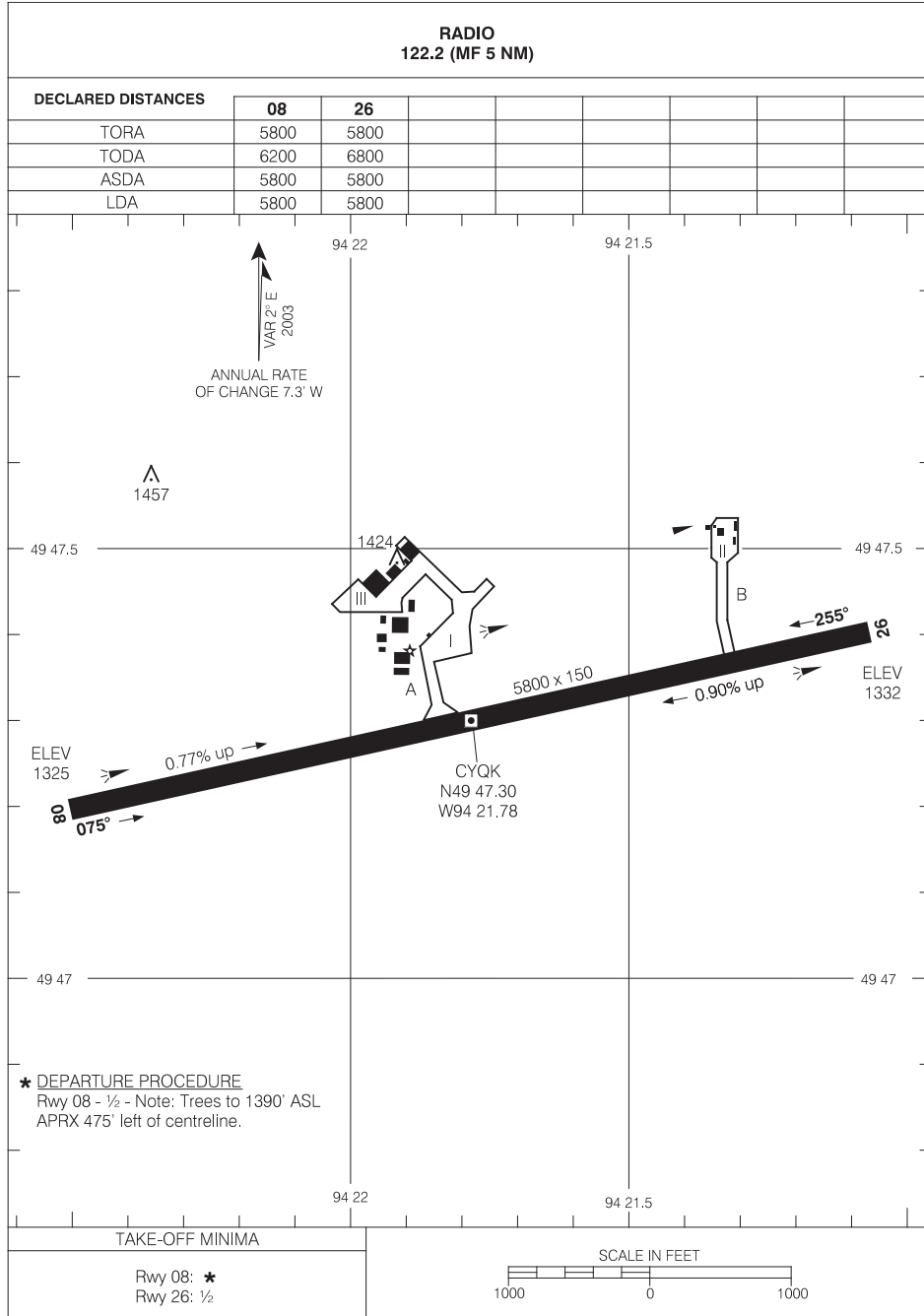
# AERODROME CHART

KASABONIKA ON  
KASABONIKA  
NAD83

EFF 22 OCT 09 CHANGE: Rwy length, declared distances

# AERODROME CHART

KENORA  
KENORA ON



# AERODROME CHART

KENORA ON  
KENORA  
NAD83

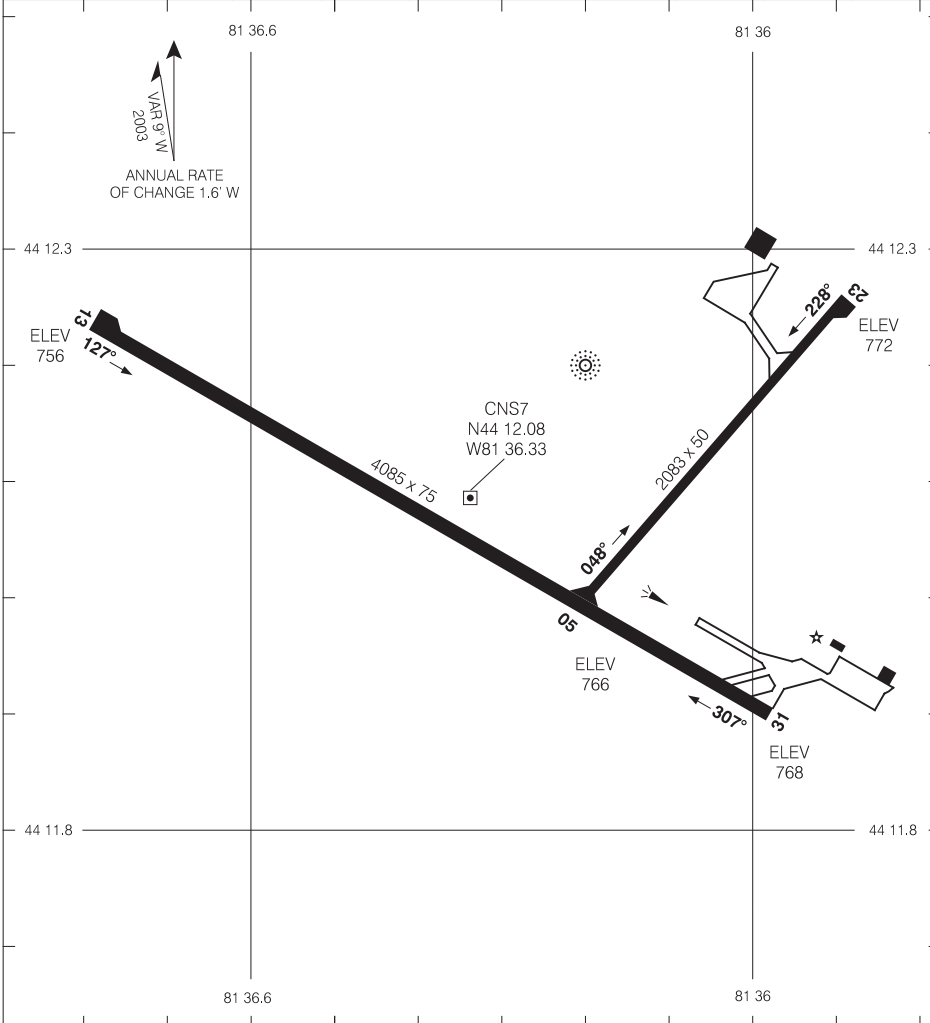
EFF 27 AUG 09 CHANGE: COMM

# AERODROME CHART

KINCARDINE  
KINCARDINE ON

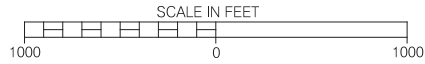
UNICOM (AU)  
122.8 (ATF 5 NM)  
O/T TFC 122.8

DECLARED DISTANCES	05	23	13	31				
TORA	2083	2083	4085	4085				
TODA	2083	2083	4285	4285				
ASDA	2083	2083	4085	4085				
LDA	2083	2083	4085	4085				



Source of Canadian Civil Aeronautical Data : © 2010 NAV CANADA All rights reserved

TAKE-OFF MINIMA
Rwys 13, 31: ½
Rwys 05, 23: NOT ASSESSED



# AERODROME CHART

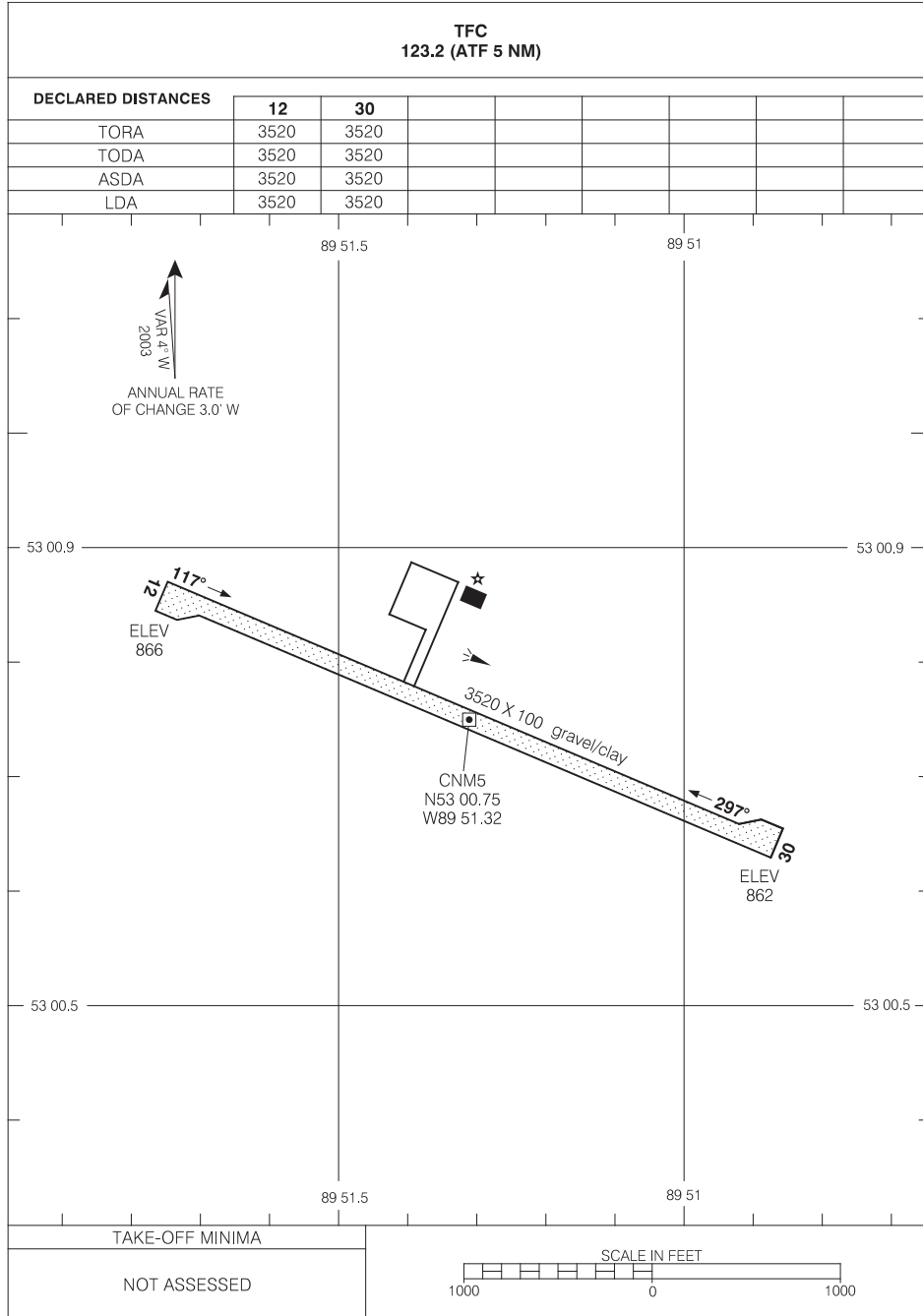
KINCARDINE ON  
KINCARDINE  
NAD83

EFF 22 OCT 09      CHANGE: Revised



# AERODROME CHART

KINGFISHER LAKE  
KINGFISHER LAKE ON



Source of Canadian Civil Aeronautical Data : © 2010 NAV CANADA All rights reserved

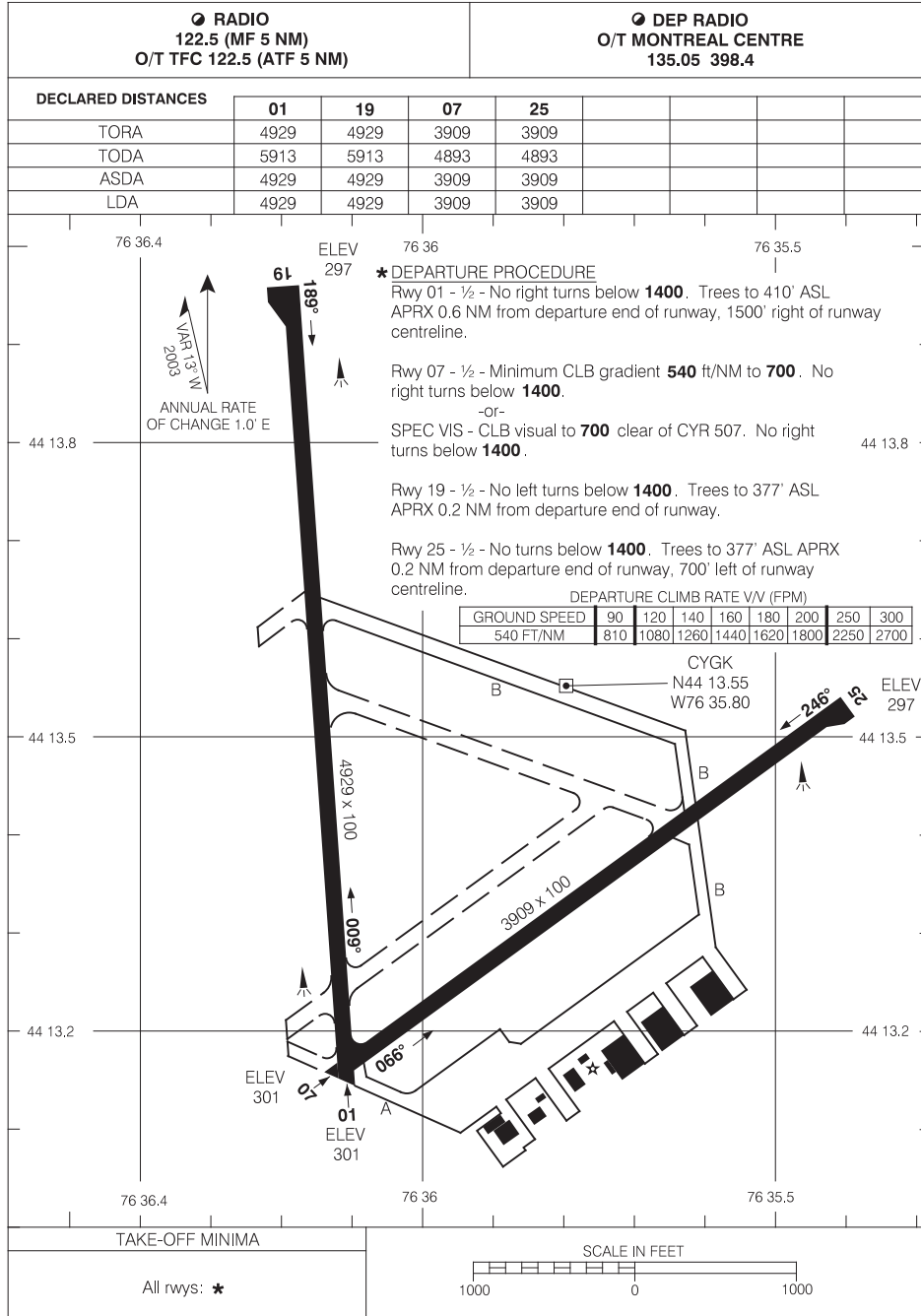
# AERODROME CHART

KINGFISHER LAKE ON  
KINGFISHER LAKE  
NAD83

EFF 27 AUG 09 CHANGE: Declared distances

# AERODROME CHART

KINGSTON  
KINGSTON ON



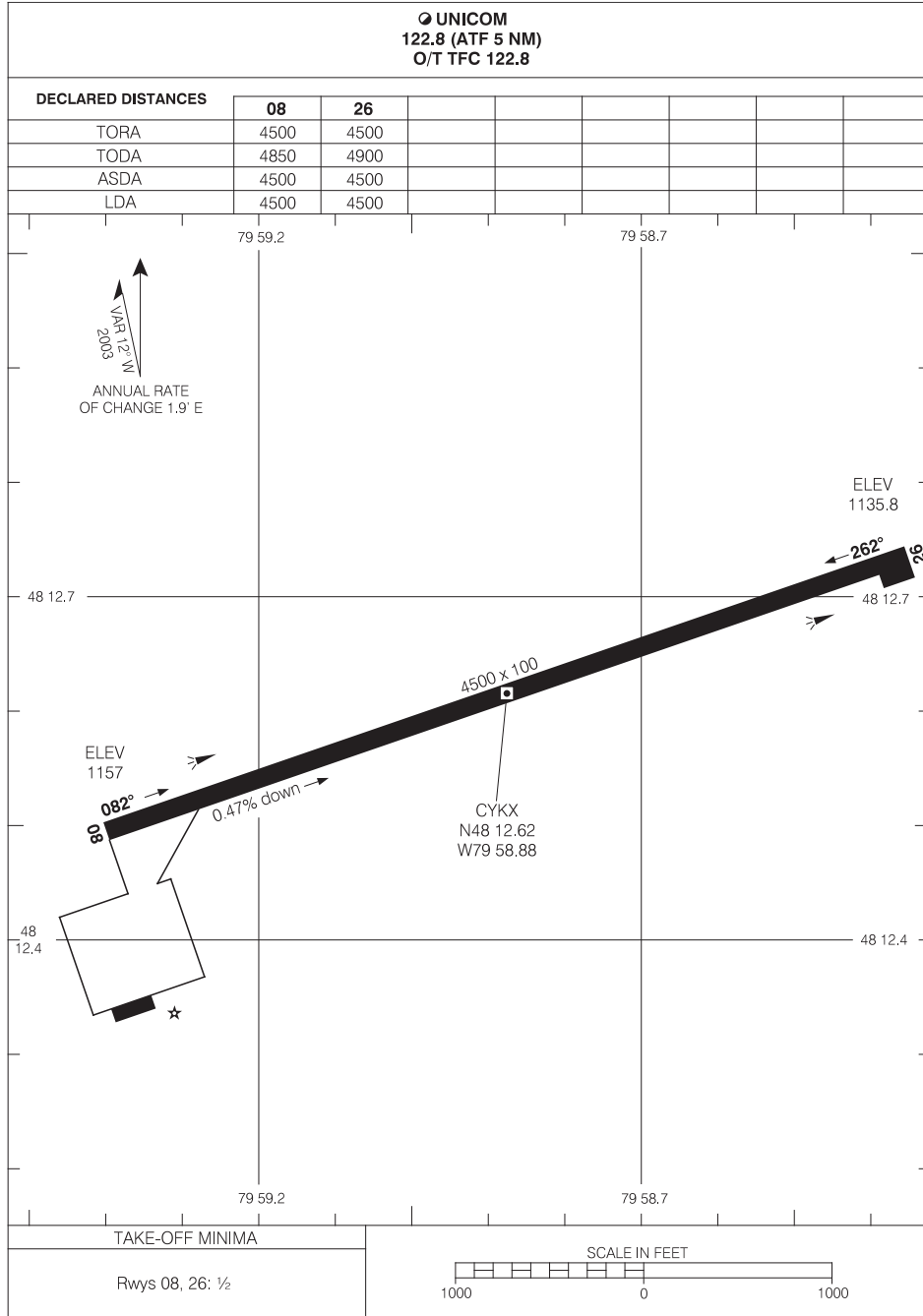
# AERODROME CHART

KINGSTON ON  
KINGSTON  
NAD83

EFF 22 OCT 09 CHANGE: Revised, COMM

# AERODROME CHART

KIRKLAND LAKE  
KIRKLAND LAKE ON



Source of Canadian Civil Aeronautical Data : © 2010 NAV CANADA All rights reserved

# AERODROME CHART

KIRKLAND LAKE ON  
KIRKLAND LAKE  
NAD83

EFF 8 JUN 06

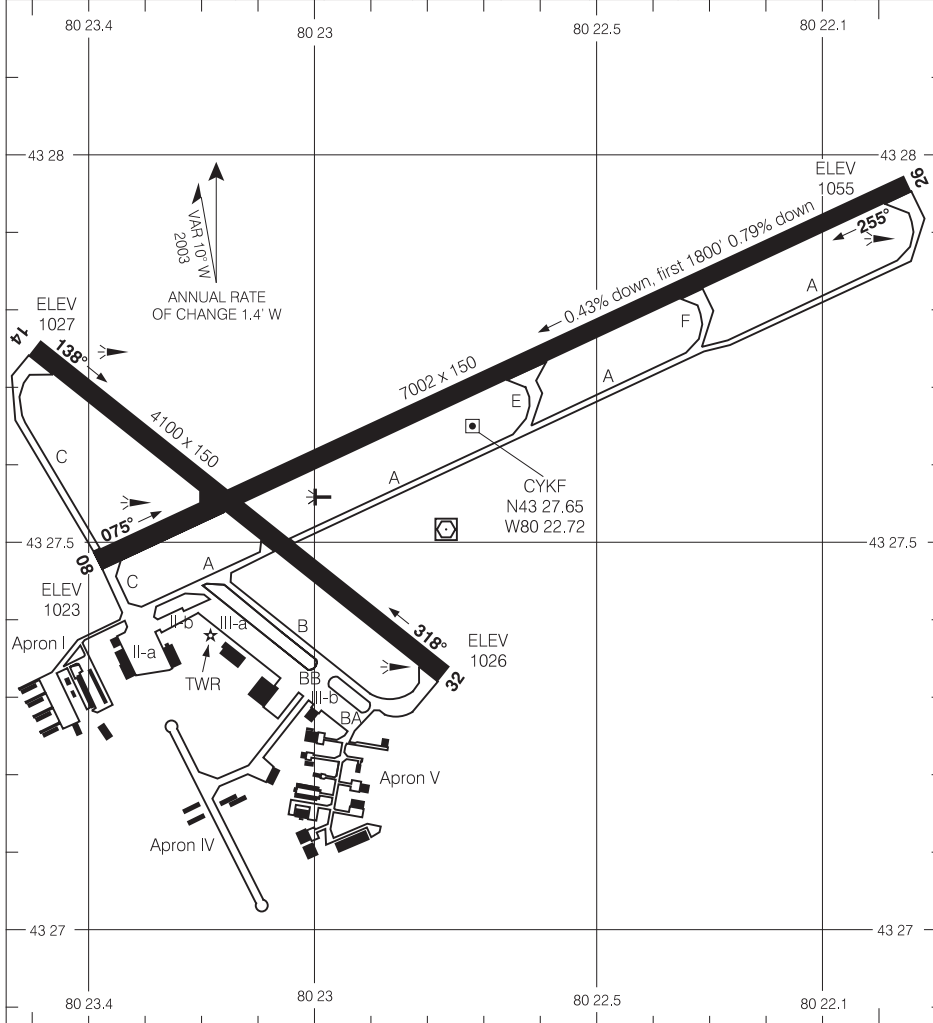
CHANGE: Dep proc removed; take-off minima added

# AERODROME CHART

KITCHENER WATERLOO  
KITCHENER ON

● ATIS 125.1	● GND 121.8	● WATERLOO TWR 126.0 118.55 O/T TFC 126.0 (MF 5 NM)	DEP TORONTO TML 128.275
-----------------	----------------	---	-------------------------------

DECLARED DISTANCES	08	26	14	32
TORA	7002	7002	4100	4100
TODA	7986	7986	5084	4631
ASDA	7002	7002	4100	4100
LDA	7002	7002	4100	4100



Source of Canadian Civil Aeronautical Data : © 2010 NAV CANADA All rights reserved

TAKE-OFF MINIMA	SCALE IN FEET 1000 0 1000
All Rwys: 1/2	

# AERODROME CHART

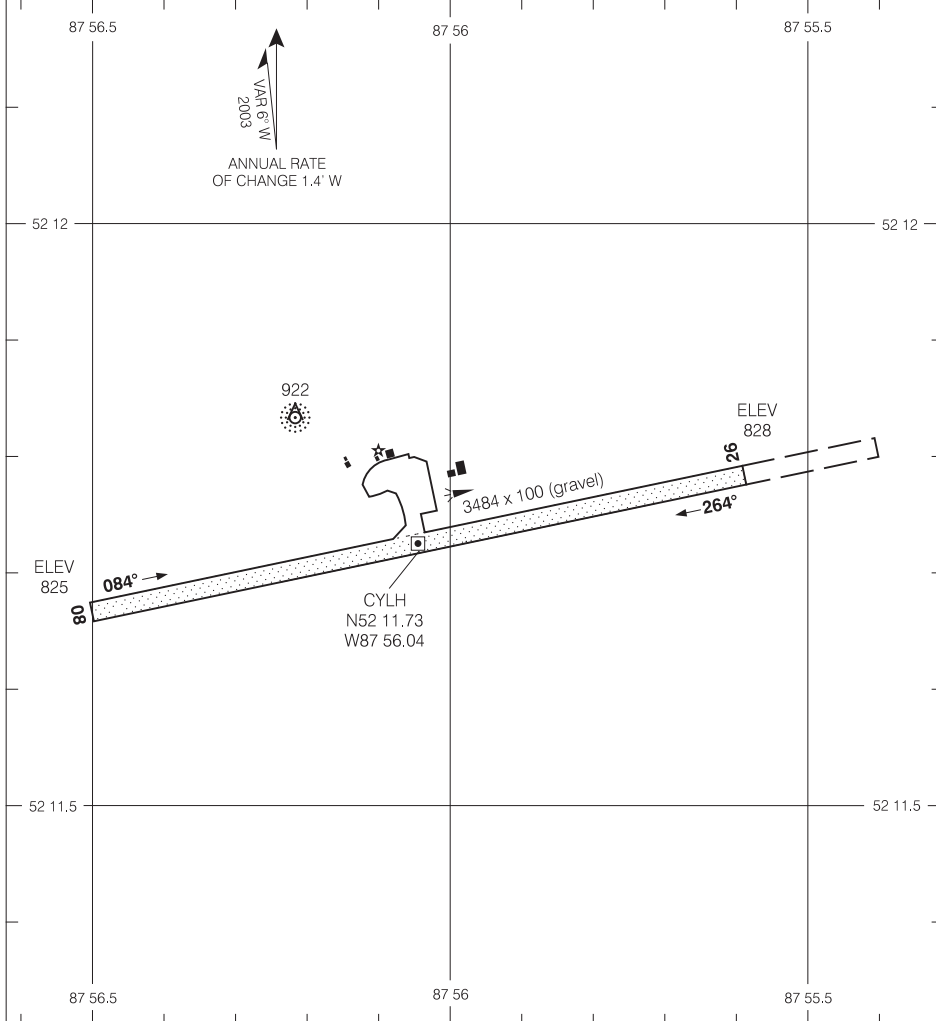
KITCHENER ON  
KITCHENER WATERLOO  
NAD83

EFF 22 OCT 09 CHANGE: Revised, comm

# AERODROME CHART

LANSDOWNE HOUSE  
LANSDOWNE HOUSE ON

	Legacy LWIS 128.4	TFC 122.8 (ATF 5 NM)	RADIO (DRCO) WINNIPEG 126.7
<b>DECLARED DISTANCES</b>			
	<b>08</b>	<b>26</b>	
TORA	3484	3484	
TODA	4468	4468	
ASDA	3484	3484	
LDA	3484	3484	



Source of Canadian Civil Aeronautical Data : © 2010 NAV CANADA All rights reserved

TAKE-OFF MINIMA	SCALE IN FEET
Rwys 08, 26: 1/2	1000 0 1000

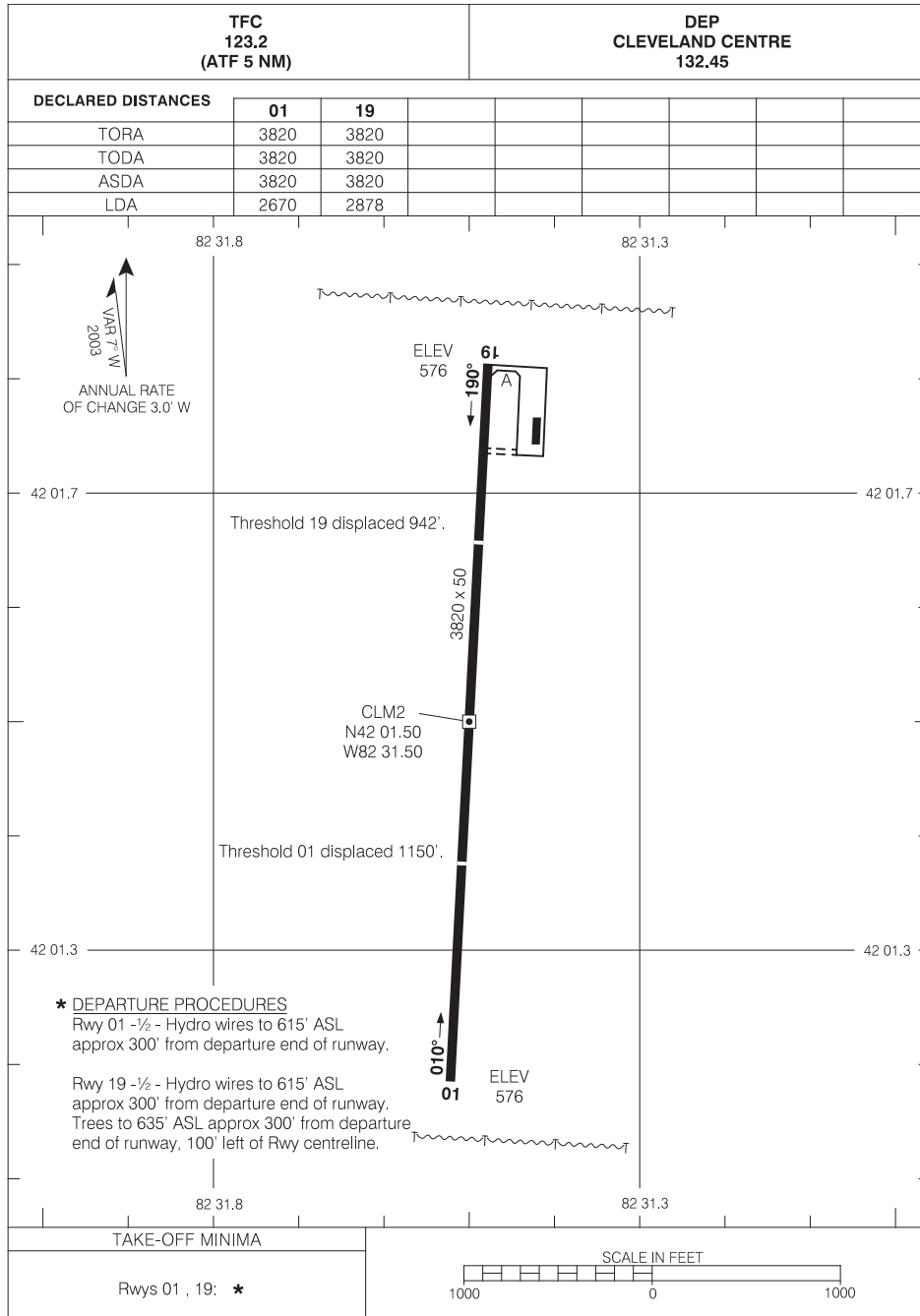
# AERODROME CHART

LANSDOWNE HOUSE ON  
LANSDOWNE HOUSE  
NAD83

EFF 11 FEB 10 CHANGE: Declared distances, rwy length

# AERODROME CHART

LEAMINGTON  
LEAMINGTON ON



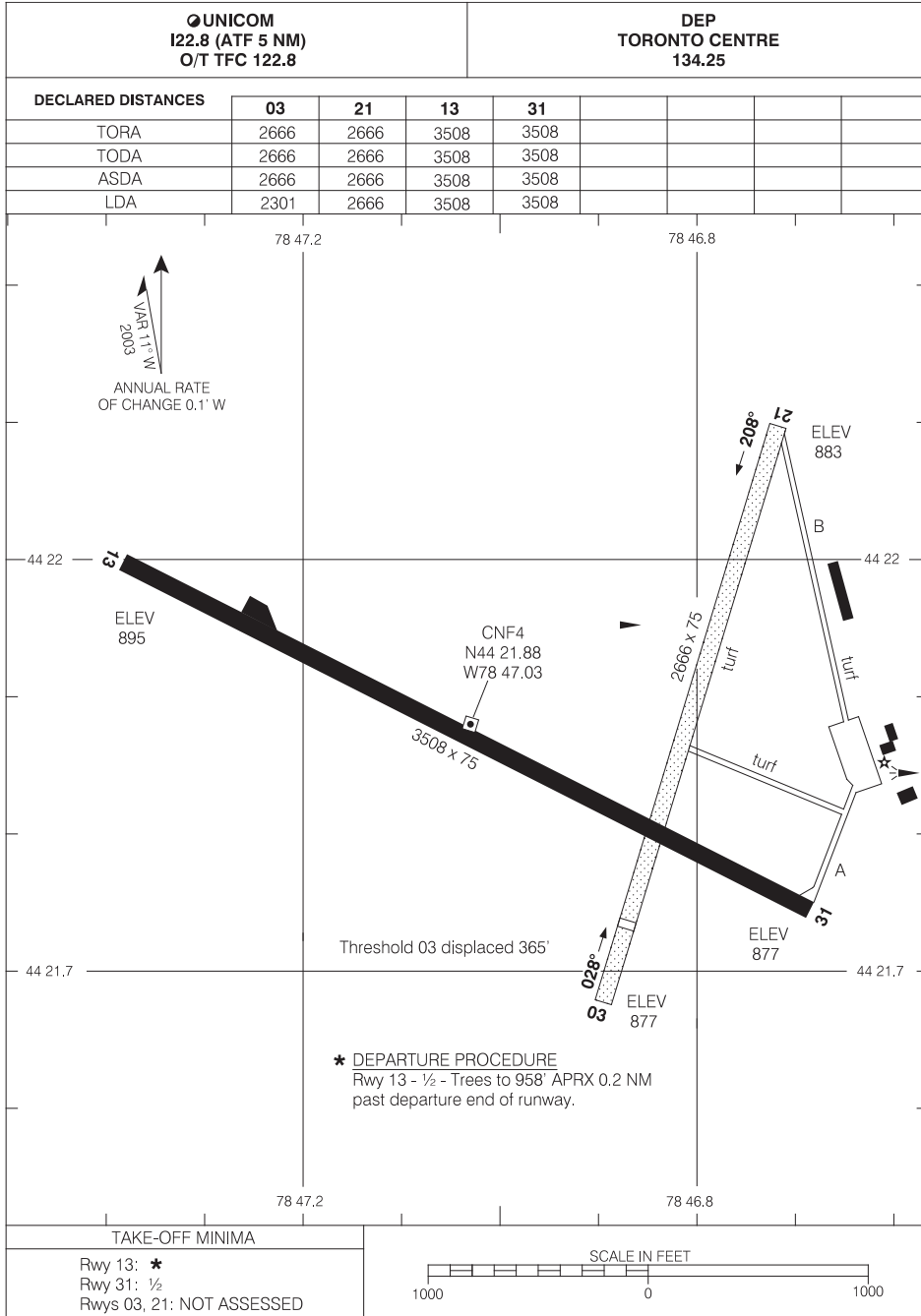
# AERODROME CHART

LEAMINGTON ON  
LEAMINGTON  
NAD83

EFF 25 SEP 08      CHANGE: Apron added

# AERODROME CHART

LINDSAY  
LINDSAY ON



Source of Canadian Civil Aeronautical Data : © 2010 NAV CANADA All rights reserved

# AERODROME CHART

LINDSAY ON  
LINDSAY  
NAD83

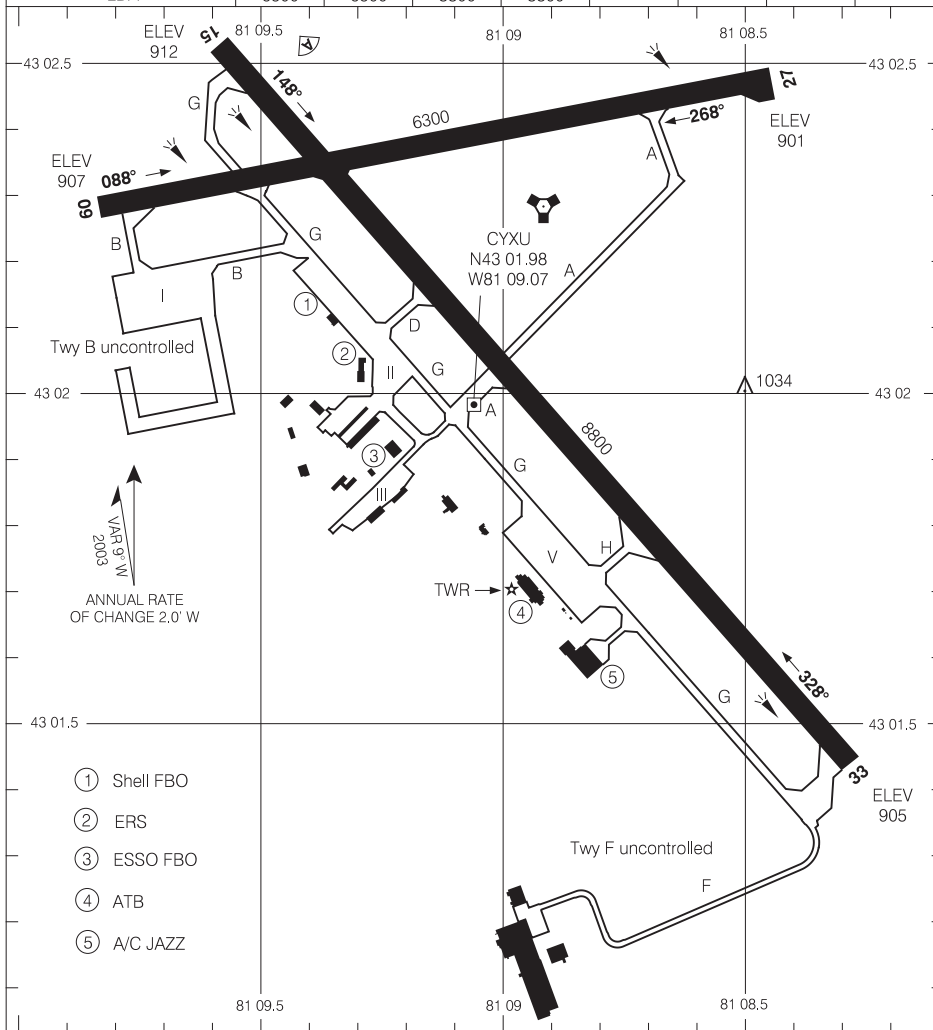
EFF 12 MAR 09 CHANGE: Revised

# AERODROME CHART

LONDON  
LONDON ON

<p>● ATIS 127.8 O/T LWIS (WIND &amp; ALTIMETER) 127.8</p>	<p>● GND 121.9</p>	<p>● TWR 119.4 125.65 O/T SAULT RDO 119.4 (MF 5 NM)</p>	<p>DEP TORONTO CENTRE 135.3</p>
---	------------------------	---	---

DECLARED DISTANCES	09	27	15	33
TORA	6300	6300	8800	8800
TODA	7300	7300	9800	9625
ASDA	6300	6300	8800	8800
LDA	6300	6300	8800	8800



Source of Canadian Civil Aeronautical Data : © 2010 NAV CANADA All rights reserved

<p>TAKE-OFF MINIMA</p> <p>All Rwy's: ½</p>	<p>SCALE IN FEET</p> <p>2000 0 2000</p>
--	---

# AERODROME CHART

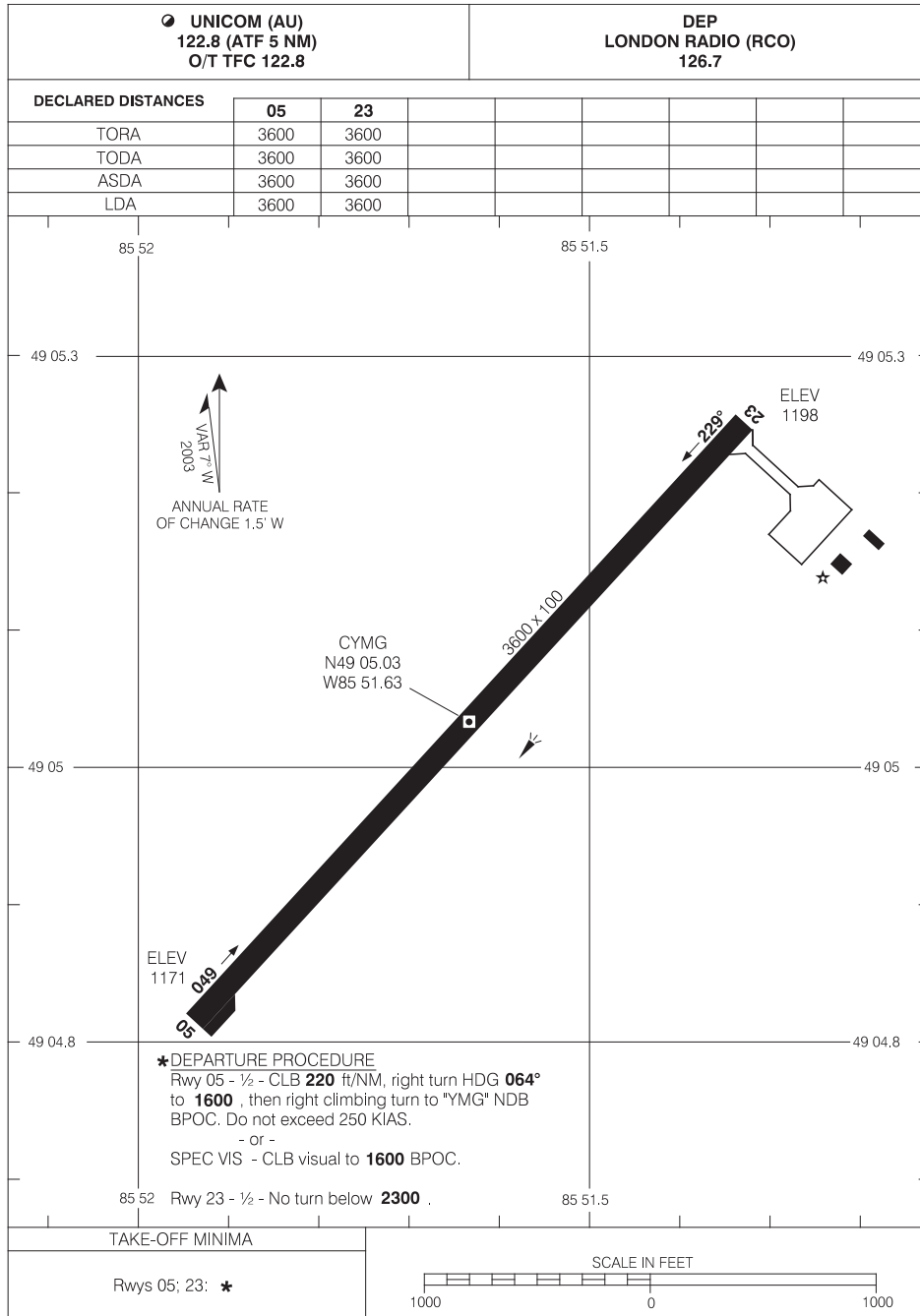
LONDON ON  
LONDON  
NAD83

EFF 22 OCT 09 CHANGE: COMM



# AERODROME CHART

MANITOUWADGE  
MANITOUWADGE ON



Source of Canadian Civil Aeronautical Data : © 2010 NAV CANADA All rights reserved

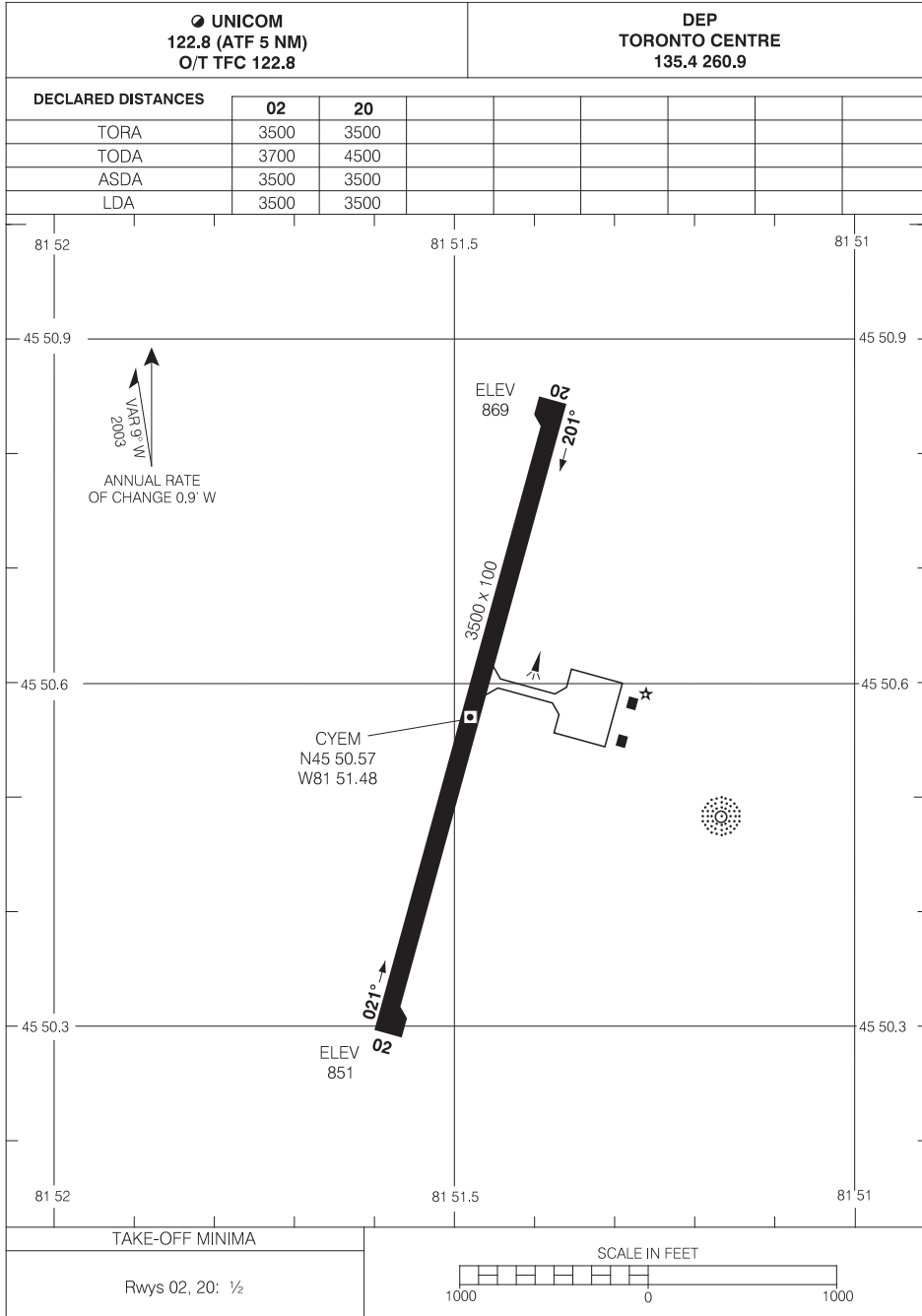
# AERODROME CHART

MANITOUWADGE ON  
MANITOUWADGE  
NAD83

EFF 13 APR 06 CHANGE: Editorial

# AERODROME CHART

MANITOWANING/MANITOULIN EAST MUNI  
MANITOWANING ON



Source of Canadian Civil Aeronautical Data : © 2010 NAV CANADA All rights reserved

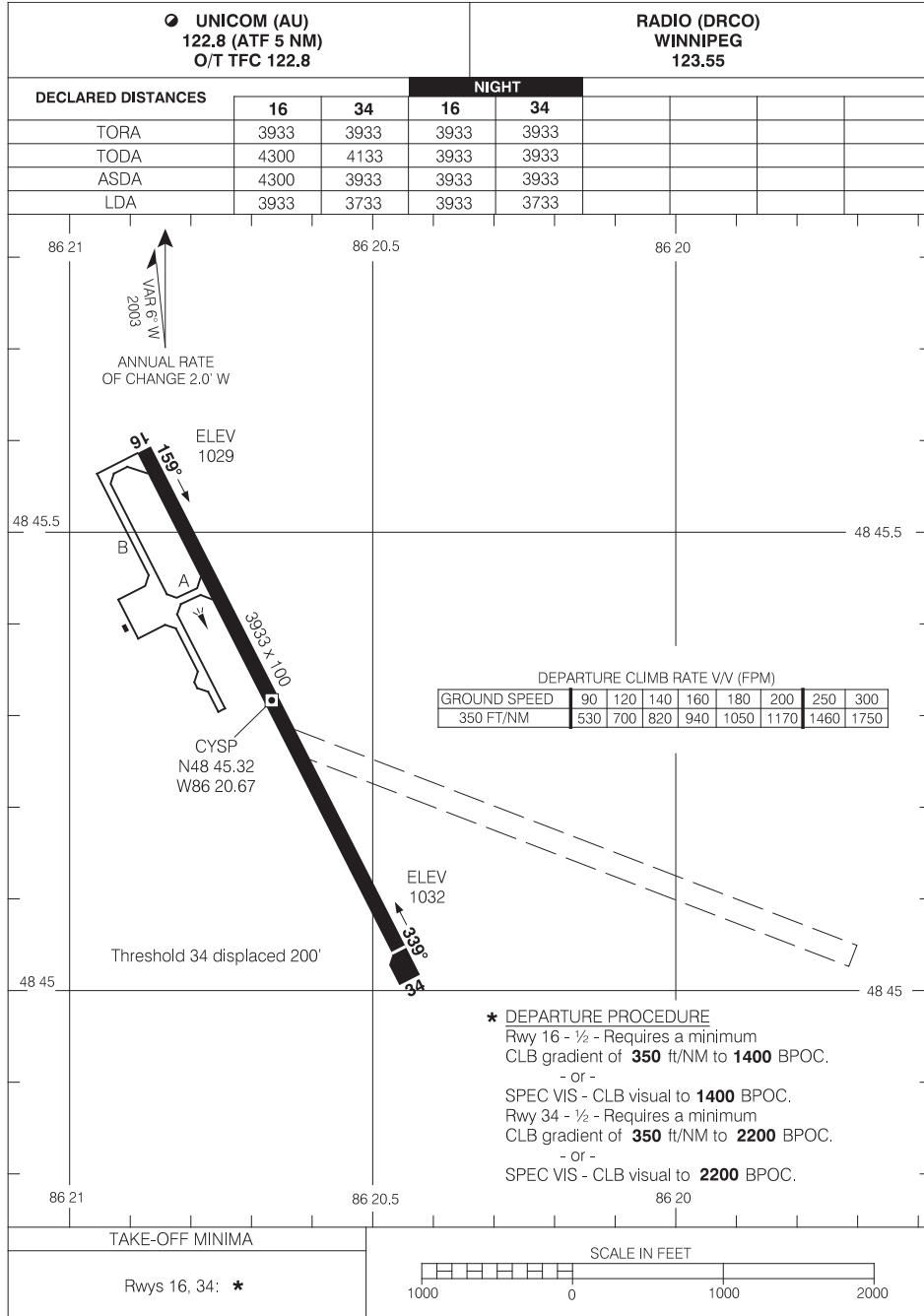
# AERODROME CHART

MANITOWANING ON  
MANITOWANING/MANITOULIN EAST MUNI  
NAD83

EFF 13 APR 06 CHANGE: Editorial

# AERODROME CHART

MARATHON  
MARATHON ON



Source of Canadian Civil Aeronautical Data : © 2010 NAV CANADA All rights reserved

# AERODROME CHART

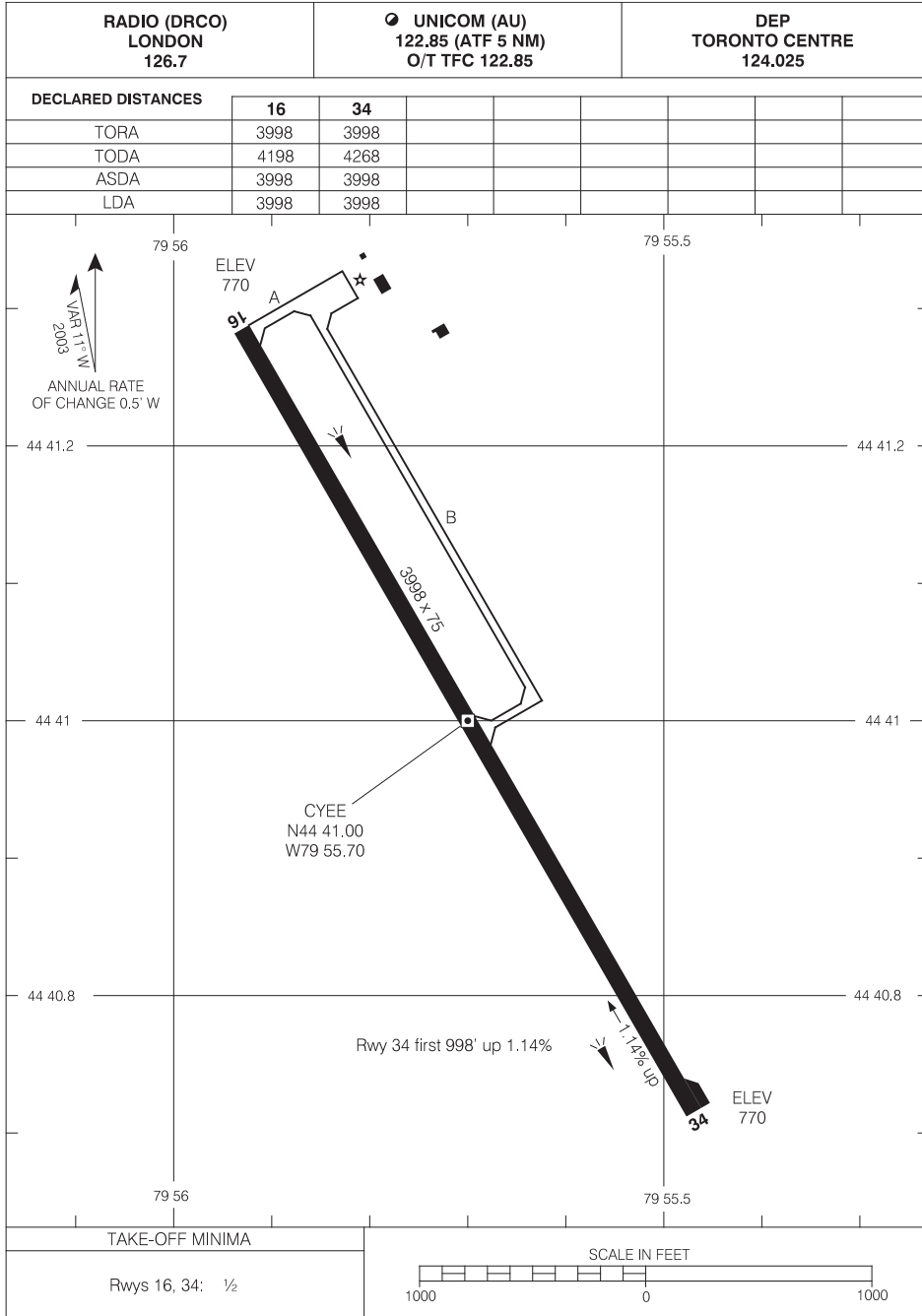
MARATHON ON  
MARATHON

EFF 10 APR 08 CHANGE: Thld elev

NAD83

# AERODROME CHART

MIDLAND /HURONIA  
MIDLAND ON



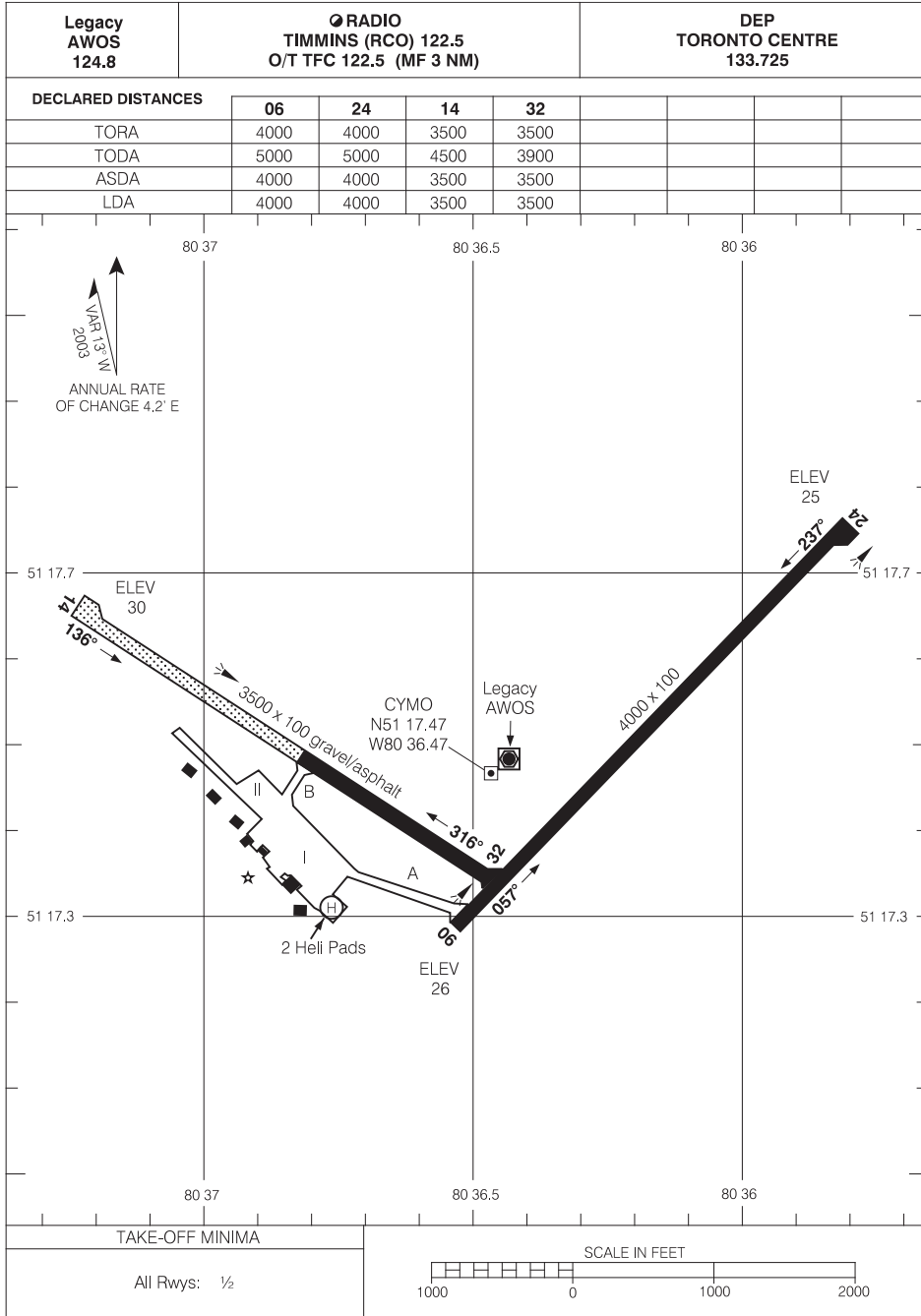
# AERODROME CHART

MIDLAND ON  
MIDLAND /HURONIA  
NAD83

EFF 22 OCT 09 CHANGE: Rwy

# AERODROME CHART

MOOSONEE  
MOOSONEE ON



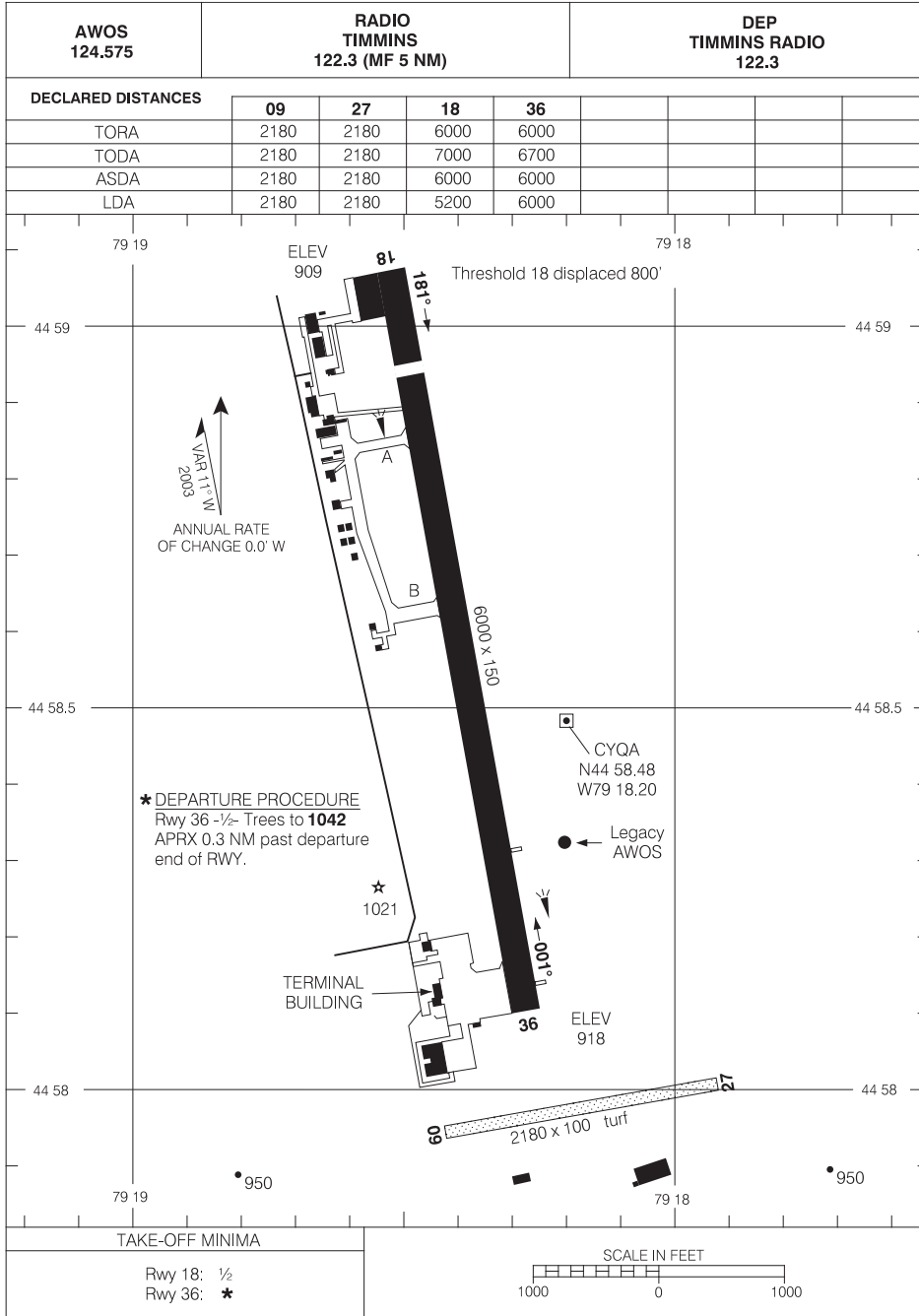
# AERODROME CHART

MOOSONEE ON  
MOOSONEE  
NAD83

EFF 22 OCT 09 CHANGE: COMM

# AERODROME CHART

MUSKOKA  
MUSKOKA ON



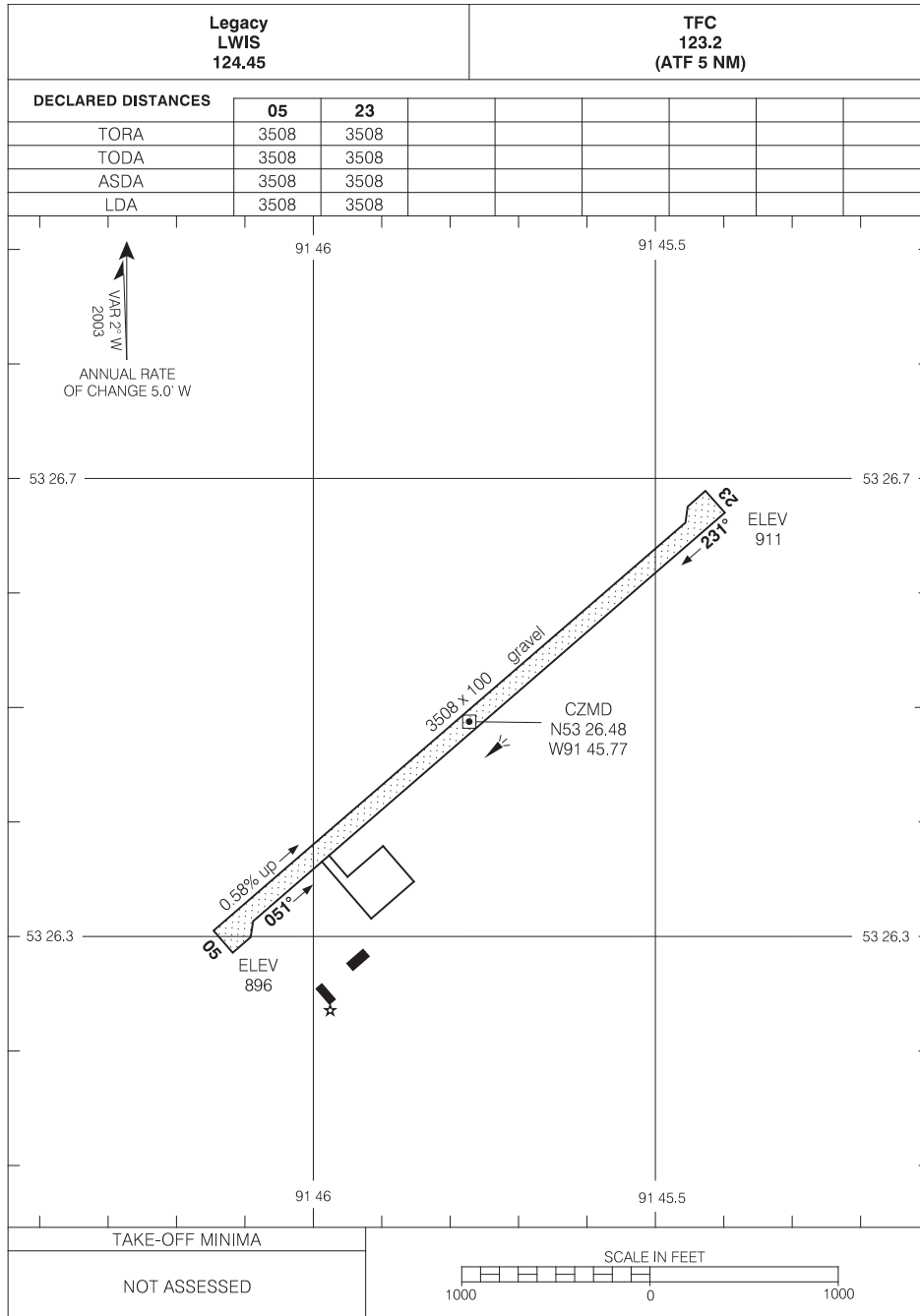
# AERODROME CHART

MUSKOKA ON  
MUSKOKA  
NAD83

EFF 27 AUG 09 CHANGE: Declared distances

# AERODROME CHART

MUSKRAT DAM  
MUSKRAT DAM ON



Source of Canadian Civil Aeronautical Data : © 2010 NAV CANADA All rights reserved

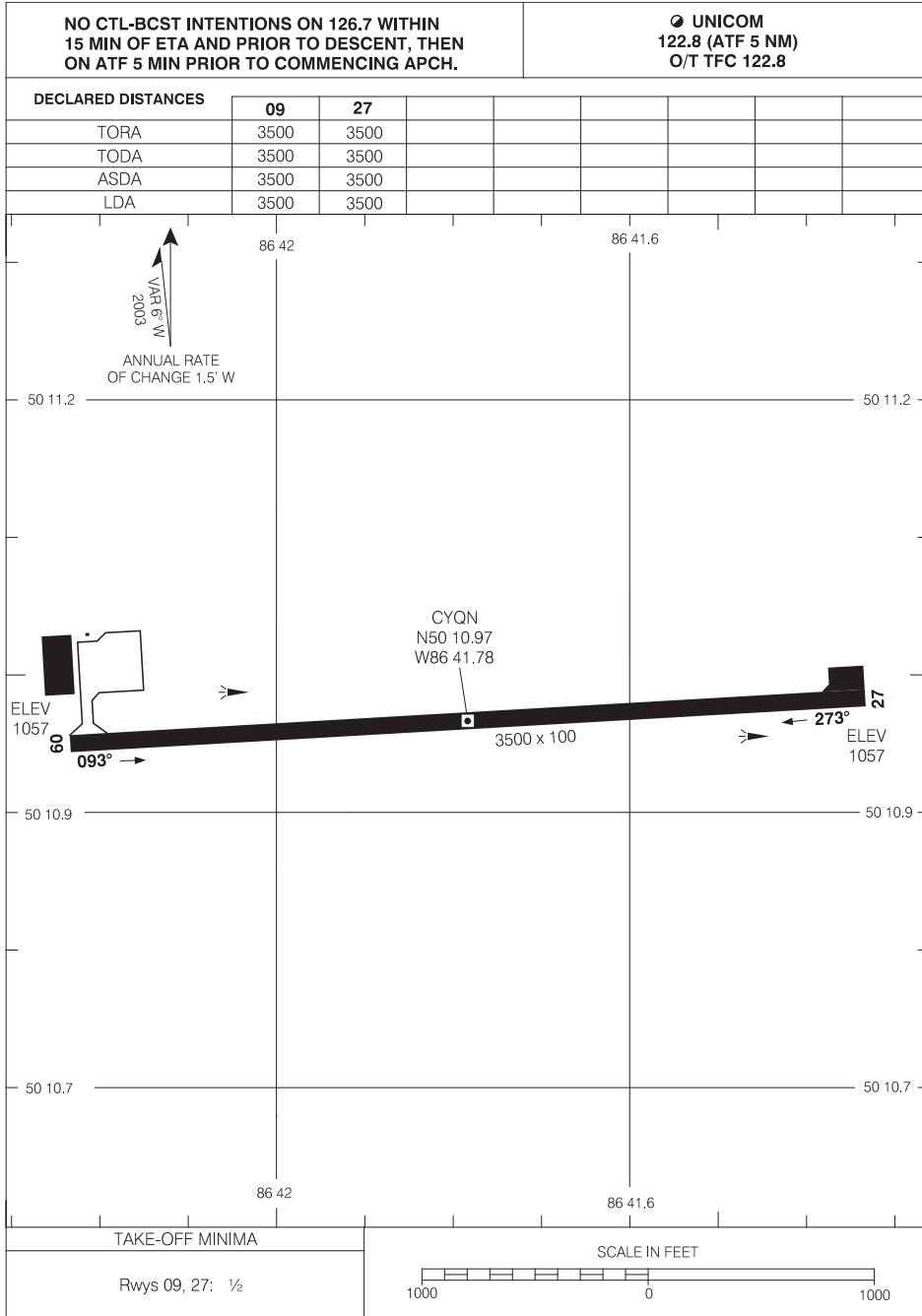
# AERODROME CHART

MUSKRAT DAM ON  
MUSKRAT DAM  
NAD83

EFF 27 AUG 09 CHANGE: Rwy length, rwy slope, declared distances

# AERODROME CHART

NAKINA  
NAKINA ON



Source of Canadian Civil Aeronautical Data : © 2010 NAV CANADA All rights reserved

# AERODROME CHART

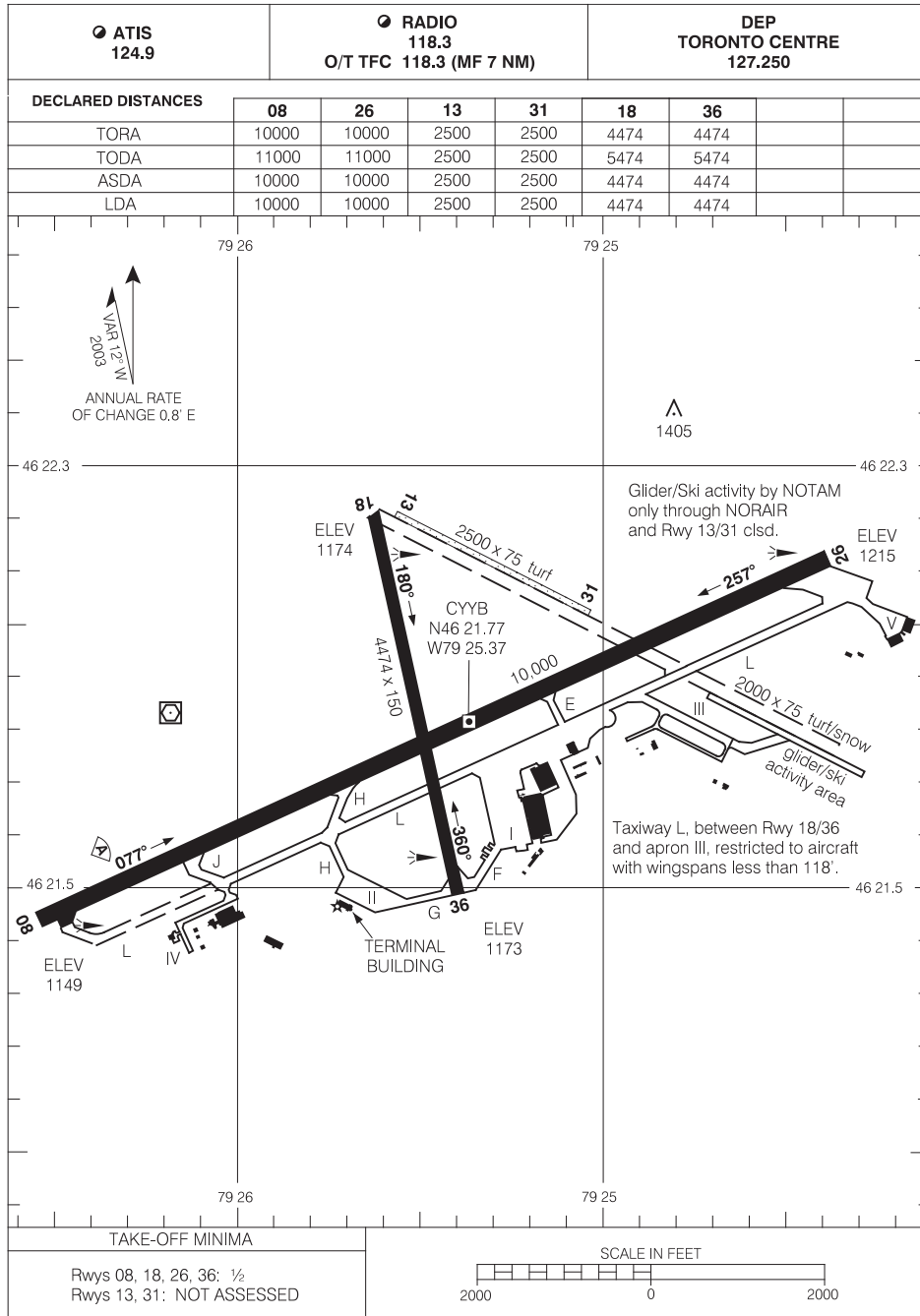
NAKINA ON  
NAKINA  
NAD83

EFF 13 APR 06 CHANGE: Editorial



# AERODROME CHART

NORTH BAY  
NORTH BAY ON



Source of Canadian Civil Aeronautical Data : © 2010 NAV CANADA All rights reserved

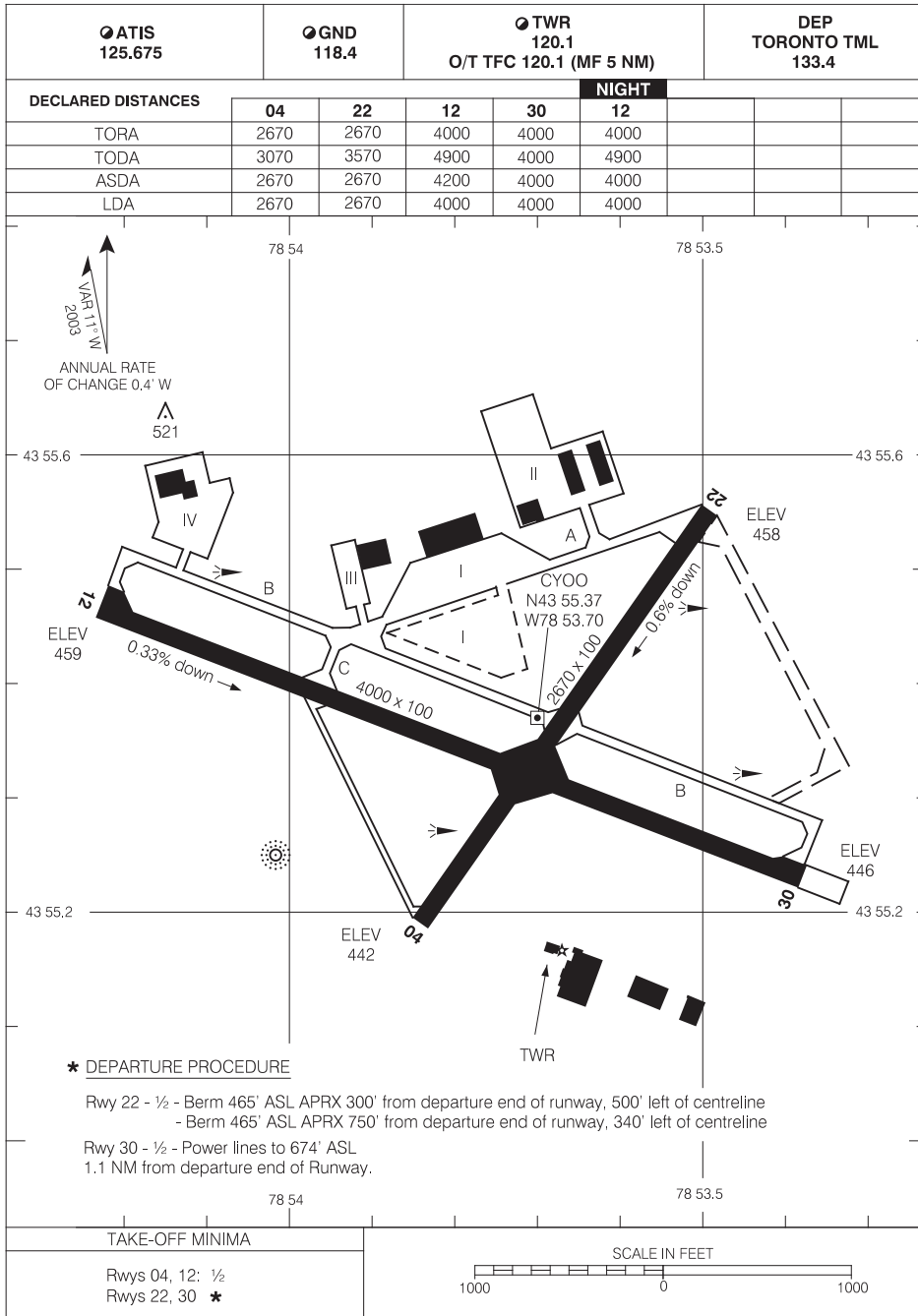
# AERODROME CHART

NORTH BAY ON  
NORTH BAY  
NAD83

EFF 22 OCT 09 CHANGE: COMM

# AERODROME CHART

OSHAWA  
OSHAWA ON



Source of Canadian Civil Aeronautical Data : © 2010 NAV CANADA All rights reserved

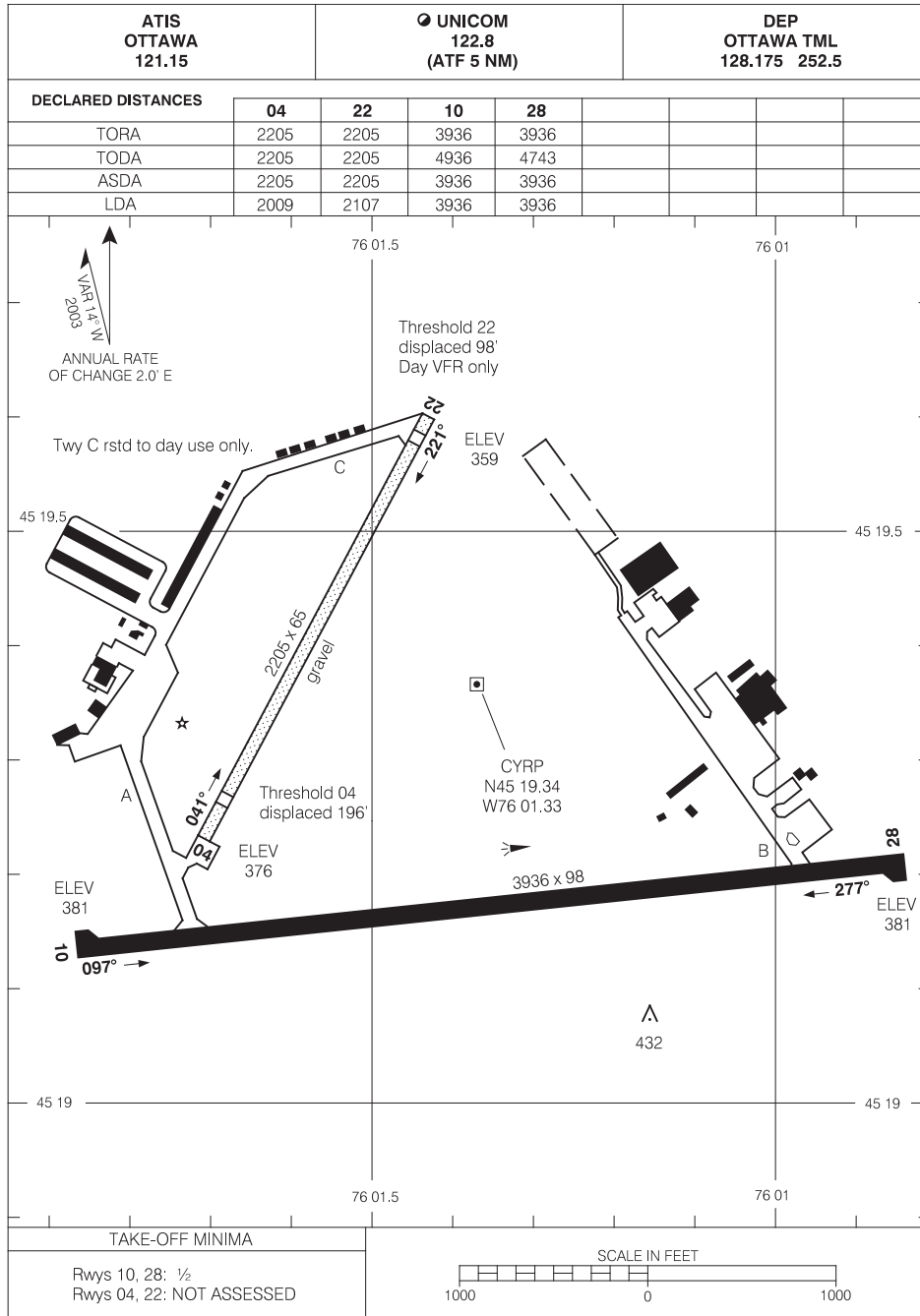
# AERODROME CHART

OSHAWA ON  
OSHAWA  
NAD83

EFF 27 AUG 09 CHANGE: COMM, A/D name

# AERODROME CHART

OTTAWA/CARP  
CARP ON



Source of Canadian Civil Aeronautical Data : © 2010 NAV CANADA All rights reserved

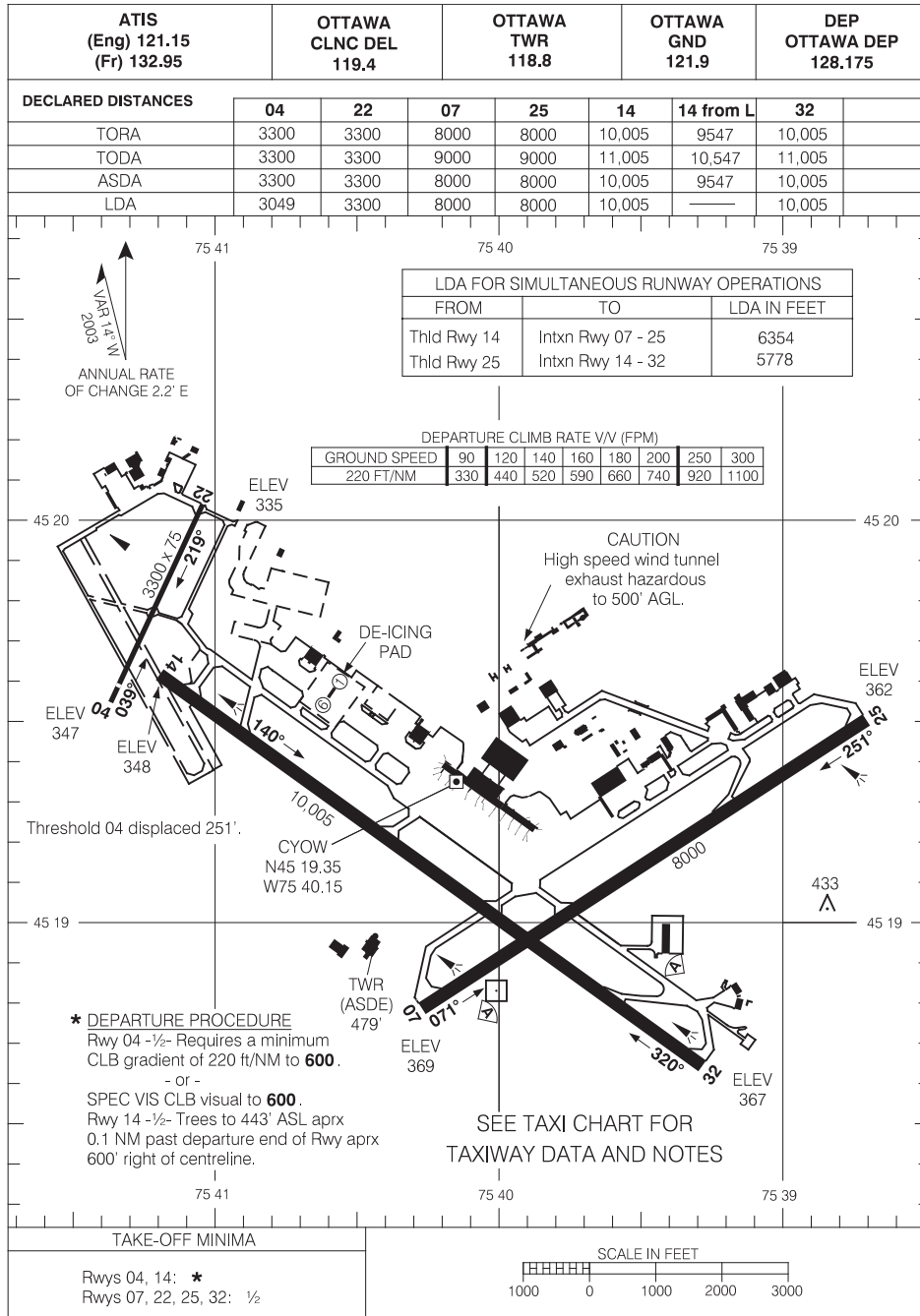
# AERODROME CHART

CARP ON  
OTTAWA/CARP  
NAD83

EFF 2 JUL 09 CHANGE: Declared distances

# AERODROME CHART

OTTAWA/MACDONALD-CARTIER INTL  
OTTAWA ON



Source of Canadian Civil Aeronautical Data : © 2010 NAV CANADA All rights reserved

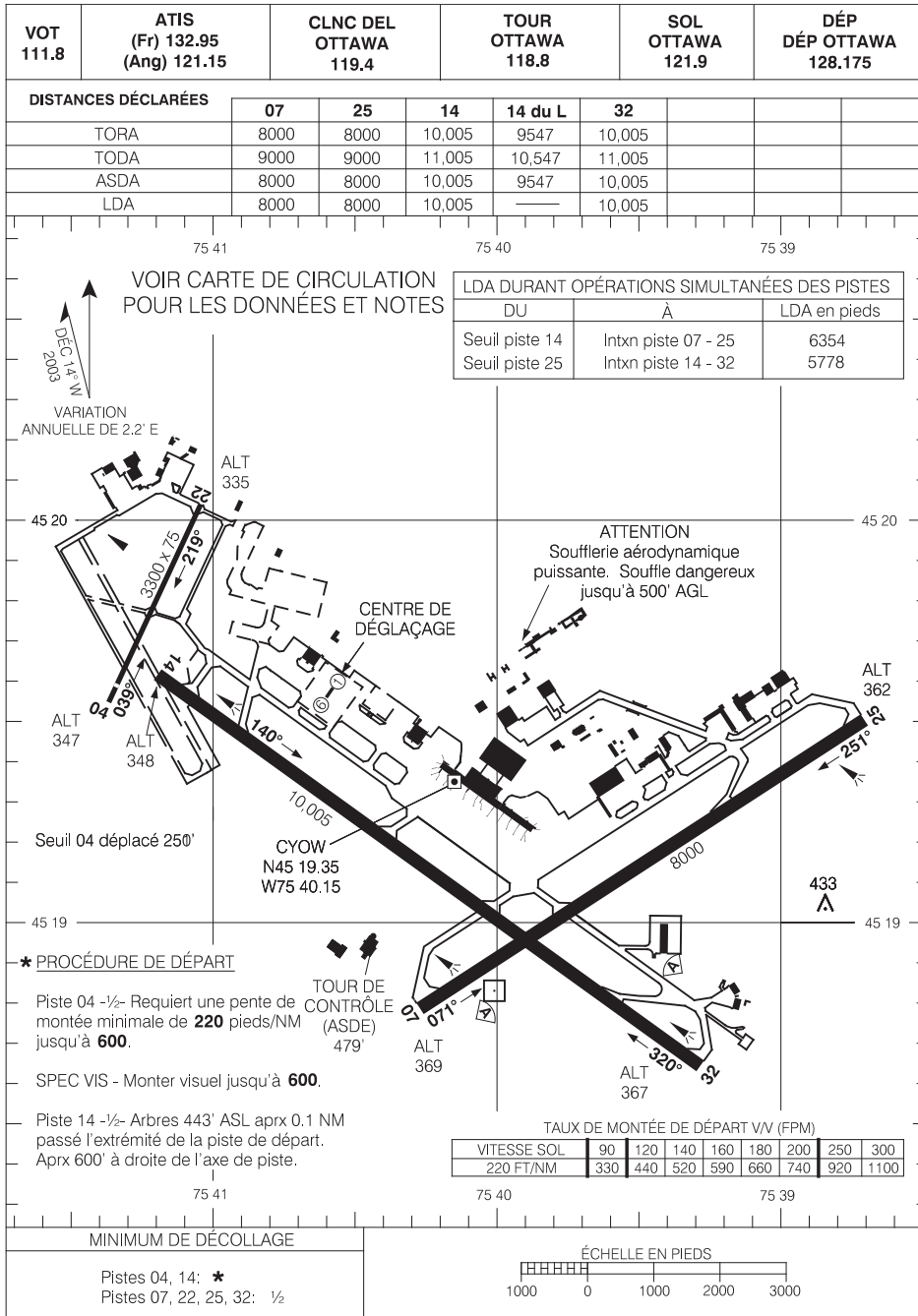
# AERODROME CHART

OTTAWA ON  
OTTAWA/MACDONALD-CARTIER INTL  
NAD83

EFF 22 OCT 09 CHANGE: COMM

# CARTE D'AÉRODROME

OTTAWA/MACDONALD-CARTIER INTL  
OTTAWA ON



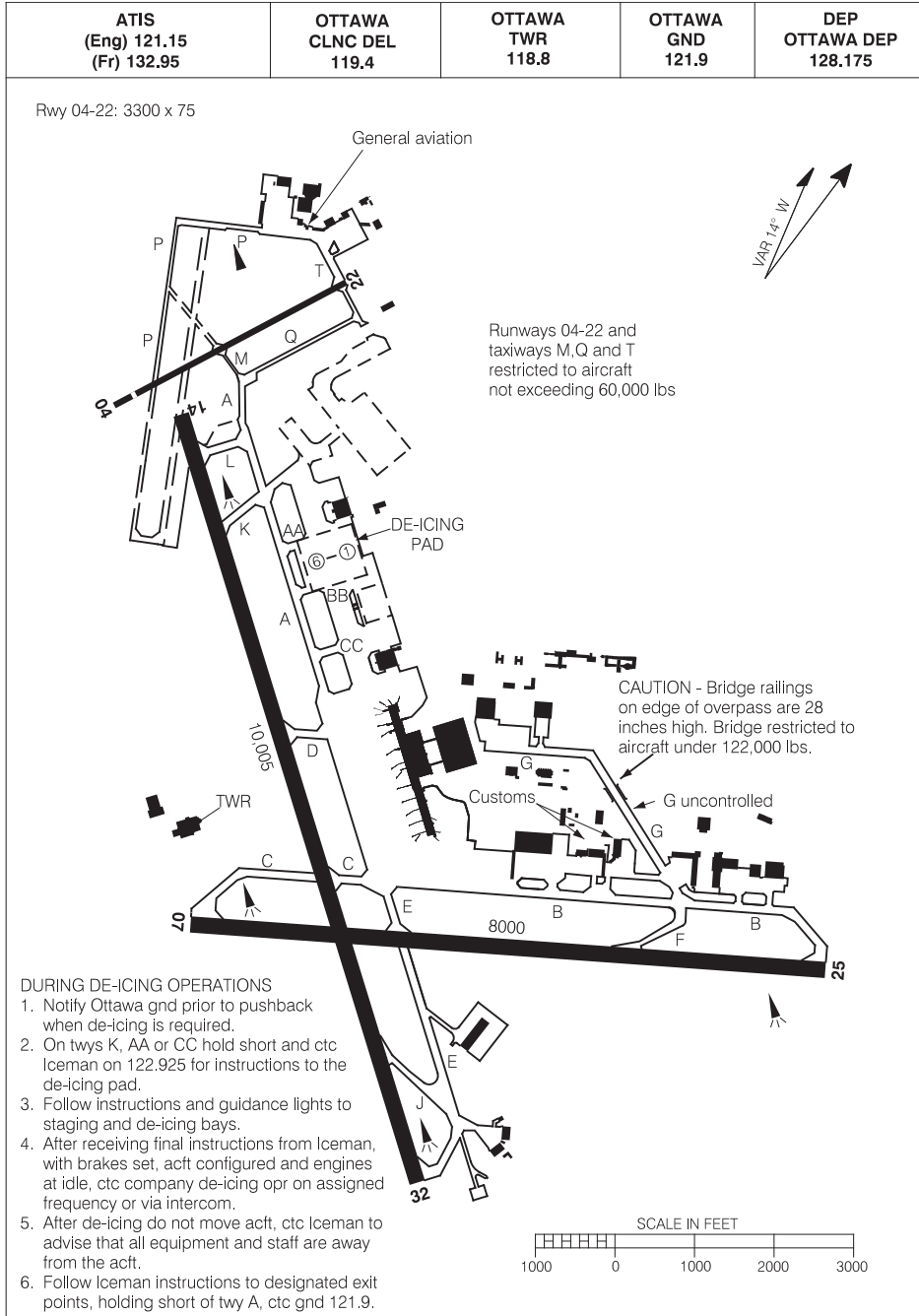
# CARTE D'AERODROME

OTTAWA ON  
OTTAWA/MACDONALD-CARTIER INTL  
NAD83

VAL 22 OCT 09 CHANGEMENT: COMM

OTTAWA/MACDONALD-CARTIER INTL  
OTTAWA ON

TAXI CHART



Source of Canadian Civil Aeronautical Data : © 2010 NAV CANADA All rights reserved

TAXI CHART

EFF 22 OCT 09 CHANGE: COMM

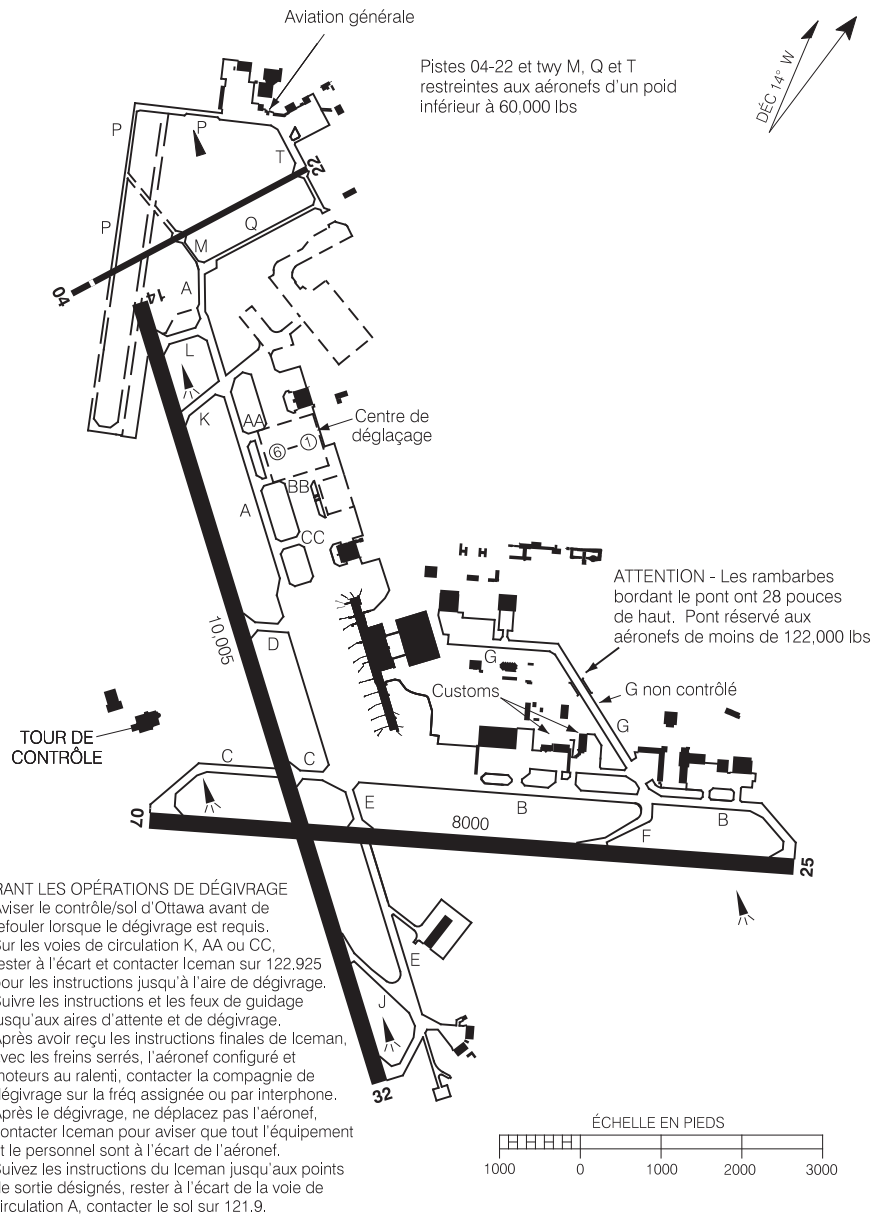
OTTAWA ON  
OTTAWA/MACDONALD-CARTIER INTL  
NAD83

# CARTE DE CIRCULATION

OTTAWA/MACDONALD-CARTIER INTL  
OTTAWA ON

VOT 111.8	ATIS (Fr) 132.95 (Ang) 121.15	CLNC DEL OTTAWA 119.4	SOL OTTAWA 121.9	TOUR OTTAWA 118.8	DÉP DÉP OTTAWA 128.175
--------------	-------------------------------------	-----------------------------	------------------------	-------------------------	------------------------------

Piste 04-22: 3300 x 75



### DURANT LES OPÉRATIONS DE DÉGIVRAGE

1. Aviser le contrôle/sol d'Ottawa avant de refouler lorsque le dégivrage est requis.
2. Sur les voies de circulation K, AA ou CC, rester à l'écart et contacter Iceman sur 122.925 pour les instructions jusqu'à l'aire de dégivrage.
3. Suivre les instructions et les feux de guidage jusqu'aux aires d'attente et de dégivrage.
4. Après avoir reçu les instructions finales de Iceman, avec les freins serrés, l'aéronef configuré et moteurs au ralenti, contacter la compagnie de dégivrage sur la fréq assignée ou par interphone.
5. Après le dégivrage, ne déplacez pas l'aéronef, contacter Iceman pour aviser que tout l'équipement et le personnel sont à l'écart de l'aéronef.
6. Suivez les instructions du Iceman jusqu'aux points de sortie désignés, rester à l'écart de la voie de circulation A, contacter le sol sur 121.9.

# CARTE DE CIRCULATION

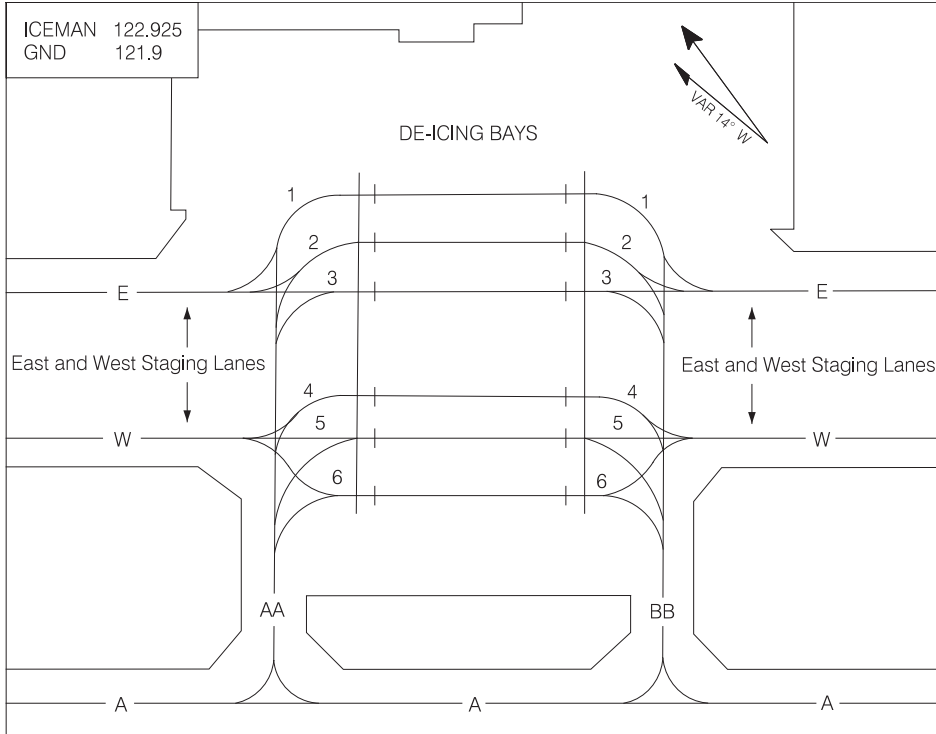
OTTAWA ON  
OTTAWA/MACDONALD-CARTIER INTL  
NAD83

VAL 22 OCT 09      CHANGEMENT: COMM

Source of Canadian Civil Aeronautical Data : © 2010 NAV CANADA All rights reserved

# DE-ICING OPERATIONS

OTTAWA/MACDONALD-CARTIER INTL  
OTTAWA ON



Source of Canadian Civil Aeronautical Data : © 2010 NAV CANADA All rights reserved

## DE-ICING OPERATIONS

1. Notify Ottawa GND prior to pushback when de-icing is required.
2. On Twys K, AA or CC, hold short and contact ICEMAN on 122.925 for instructions to the de-icing pad.
3. Follow instructions and guidance lights to staging and de-icing bays.
4. After receiving final instructions from ICEMAN, with brakes set, aircraft configured and engines at idle, contact company de-icing operator on assigned frequency or via intercom.
5. After de-icing, do not move aircraft, contact ICEMAN to advise that all equipment and staff are away from the aircraft.
6. Follow ICEMAN instructions to designated exit points, holding short of Twy A, contact GND 121.9.

# DE-ICING OPERATIONS

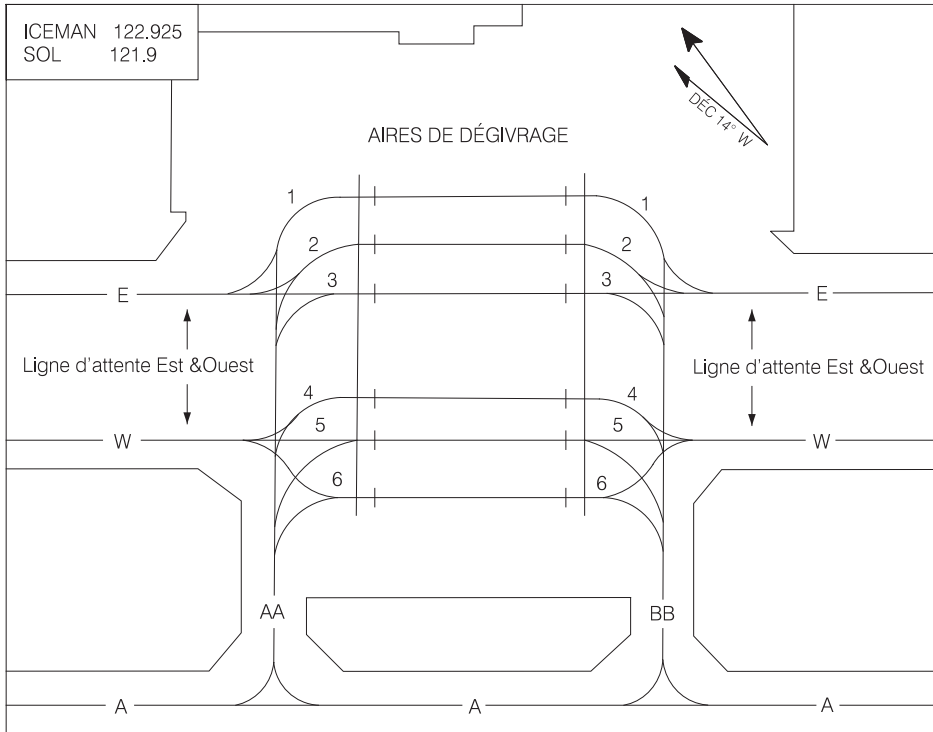
OTTAWA ON  
OTTAWA/MACDONALD-CARTIER INTL  
NAD83

EFF 13 APR 06 CHANGE: New Chart



# OPÉRATIONS DE DÉGIVRAGE

OTTAWA/MACDONALD-CARTIER INTL  
OTTAWA ON



## OPÉRATIONS DE DÉGIVRAGE

1. Aviser le contrôle/sol d'Ottawa avant de refouler lorsque le dégivrage est requis.
2. Sur les voies de circulation K, AA or CC, rester à l'écart et contacter ICEMAN sur 122.925 pour les instructions jusqu'à l'aire de dégivrage.
3. Suivre les instructions et les feux de quidage jusqu'aux aires d'attente et de dégivrage.
4. Après avoir reçu les instructions finales de ICEMAN, avec les freins serrés, l'aéronef configuré et moteurs au ralenti, contacter la compagnie de dégivrage sur la fréq assignée ou par interphone.
5. Après le dégivrage, ne déplacez pas l'aéronef, contacter ICEMAN pour aviser que tout l'équipement et le personnel sont à l'écart de l'aéronef.
6. Suivez les instructions du ICEMAN jusqu'aux points de sortie désignés, rester l'écart de la voie de circulation A, contacter le sol sur 121.9.

Source of Canadian Civil Aeronautical Data : © 2010 NAV CANADA All rights reserved

# OPERATIONS DE DEGIVRAGE

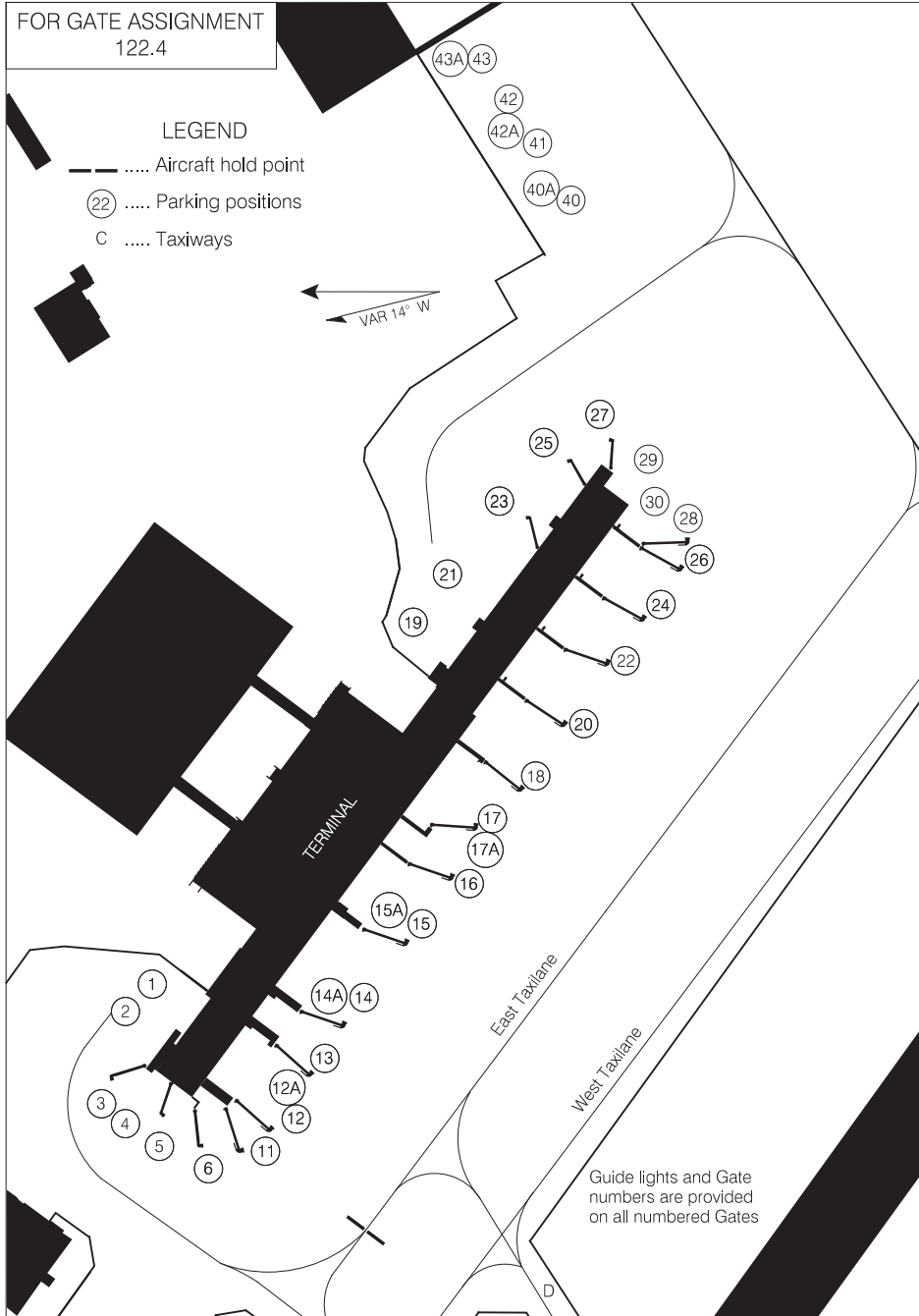
OTTAWA ON  
OTTAWA/MACDONALD-CARTIER INTL

EFF 13 AVR 06

CHANGE: Nouvelle procédure

**PARKING AREAS**

FOR GATE ASSIGNMENT  
122.4

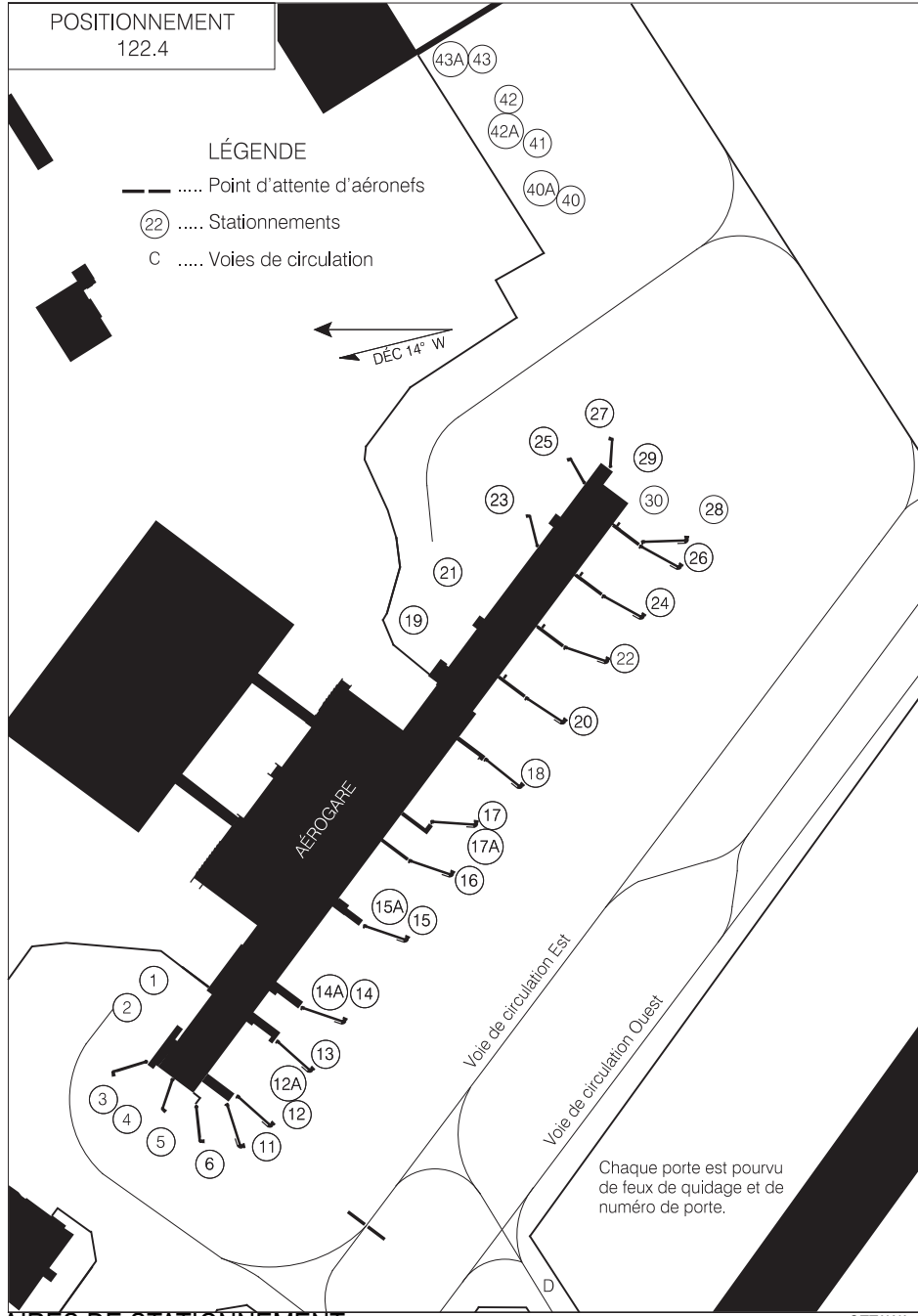


Source of Canadian Civil Aeronautical Data : © 2010 NAV CANADA All rights reserved

**PARKING AREAS**

# AIRES DE STATIONNEMENT

OTTAWA/MACDONALD-CARTIER INTL  
OTTAWA ON



Source of Canadian Civil Aeronautical Data : © 2010 NAV CANADA All rights reserved

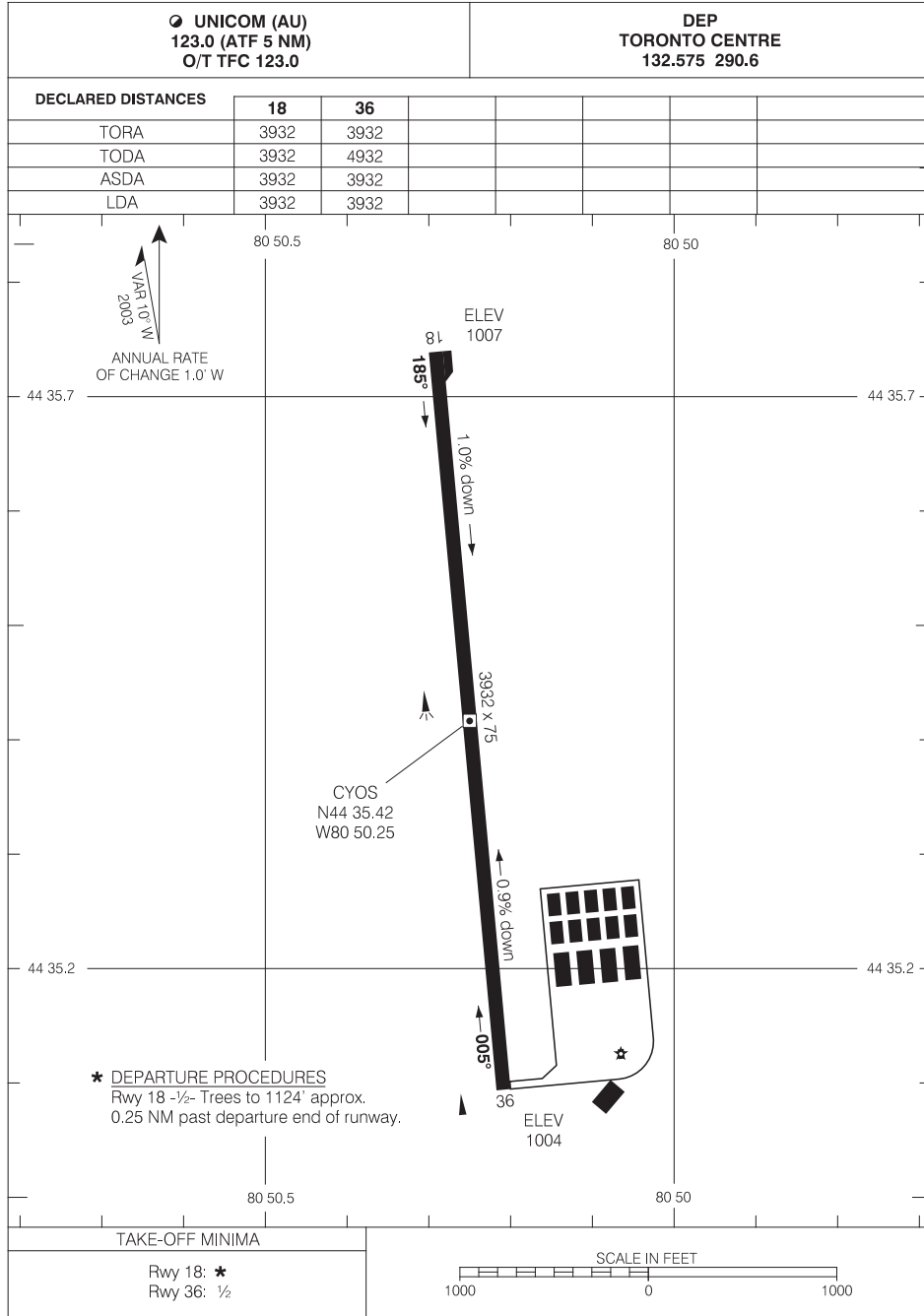
# AIRES DE STATIONNEMENT

OTTAWA ON  
OTTAWA/MACDONALD-CARTIER INTL

VAL 12 MAR 09      CHANGEMENT: Révisée

# AERODROME CHART

OWEN SOUND /BILLY BISHOP REGIONAL  
OWEN SOUND ON



Source of Canadian Civil Aeronautical Data : © 2010 NAV CANADA All rights reserved

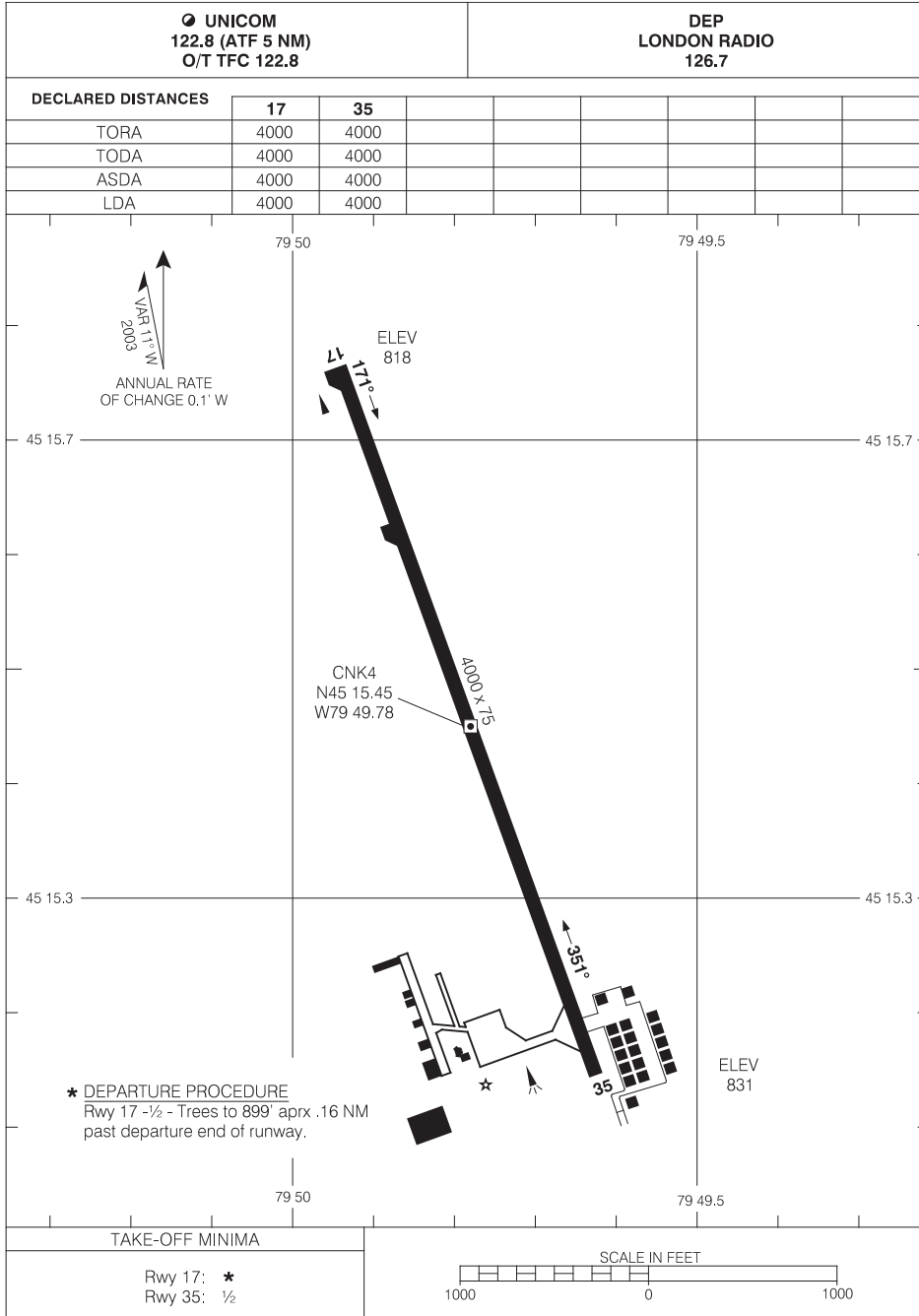
# AERODROME CHART

OWEN SOUND ON  
OWEN SOUND /BILLY BISHOP REGIONAL  
NAD83

EFF 13 APR 06 CHANGE: Editorial

# AERODROME CHART

PARRY SOUND AREA MUNI  
PARRY SOUND ON



Source of Canadian Civil Aeronautical Data : © 2010 NAV CANADA All rights reserved

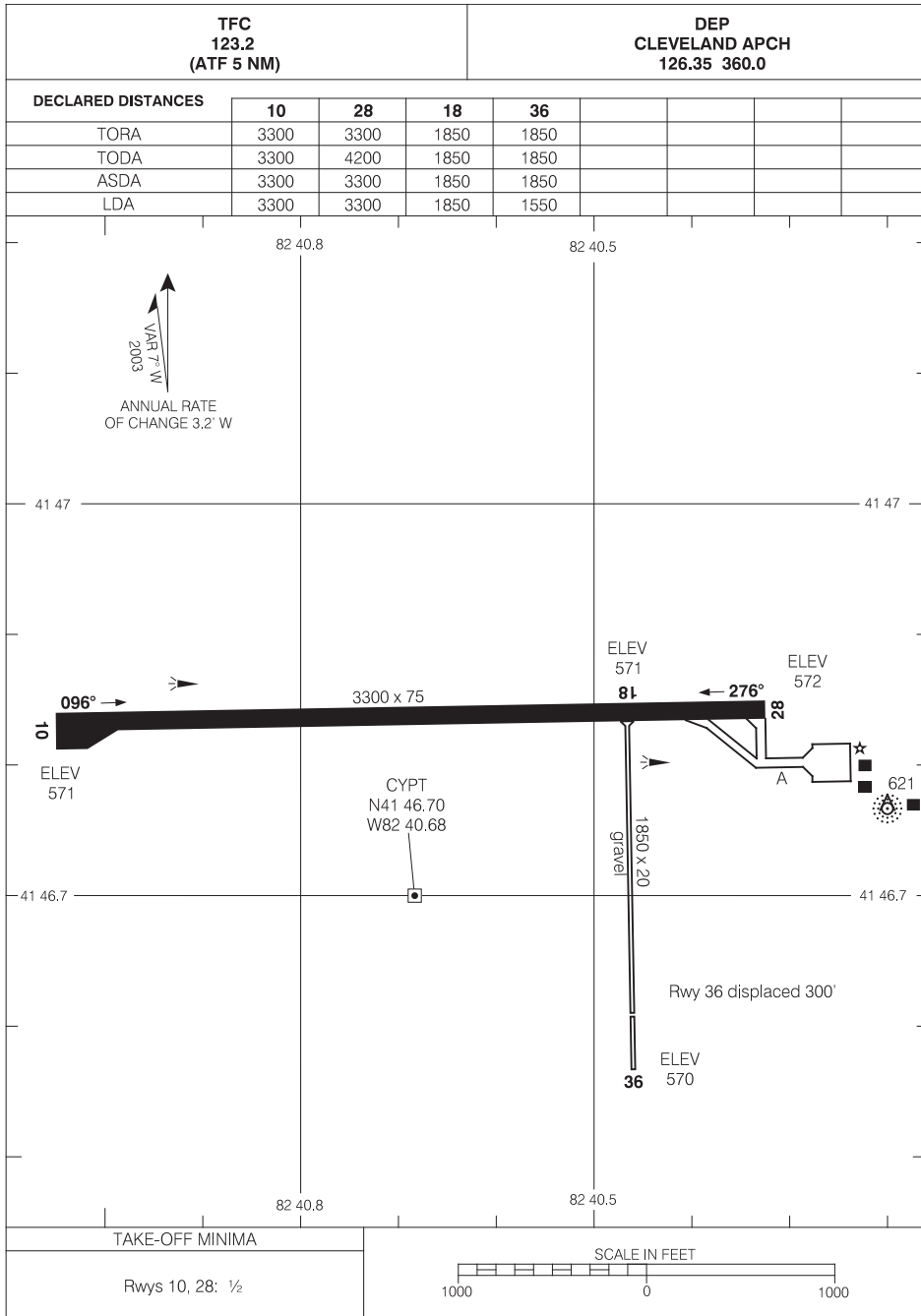
# AERODROME CHART

PARRY SOUND ON  
PARRY SOUND AREA MUNI  
NAD83

EFF 10 APR 08 CHANGE: Declared distances

# AERODROME CHART

PELEE ISLAND  
PELEE ISLAND ON



Source of Canadian Civil Aeronautical Data : © 2010 NAV CANADA All rights reserved

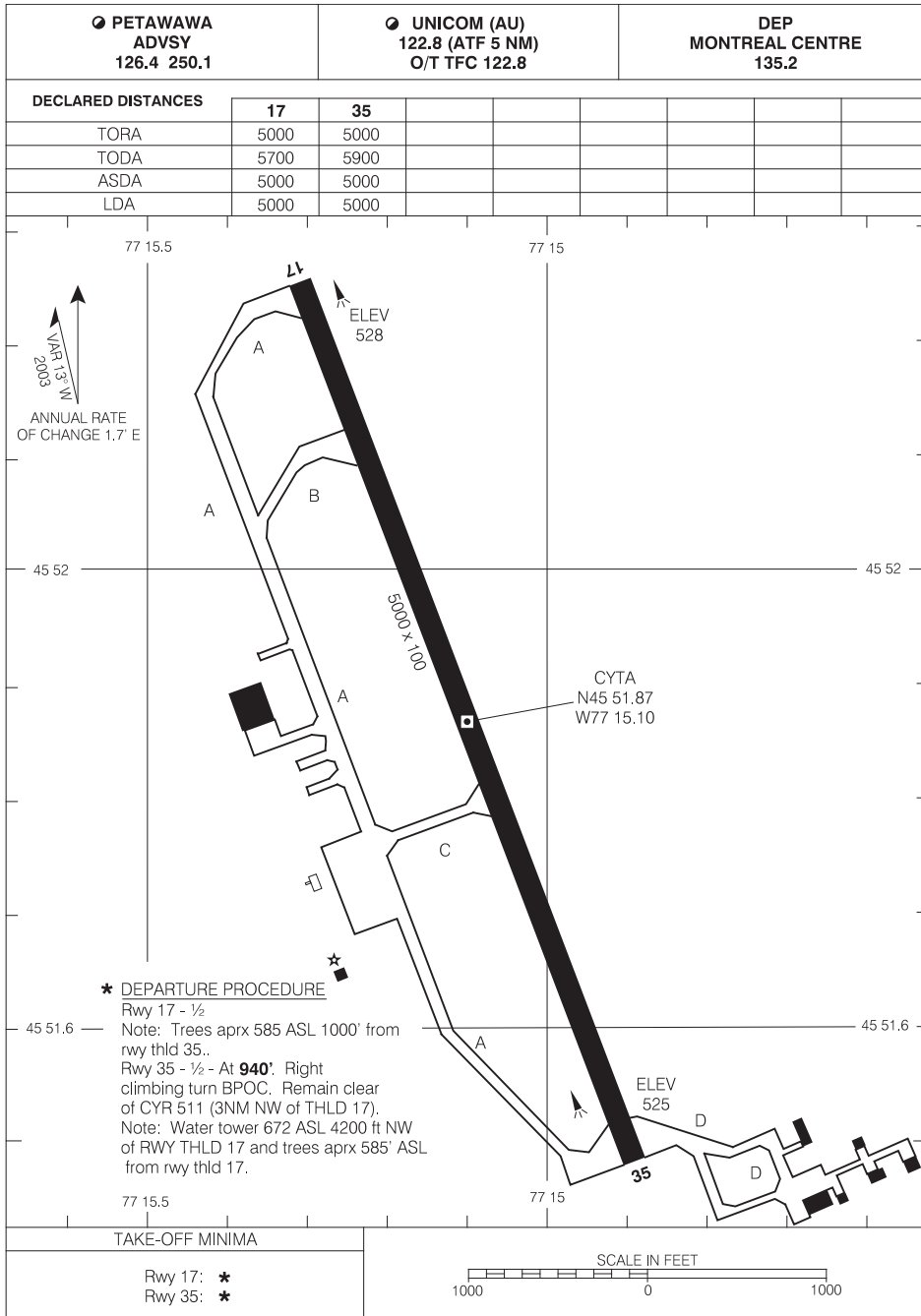
# AERODROME CHART

PELEE ISLAND ON  
PELEE ISLAND  
NAD83

EFF 27 AUG 09 CHANGE: Declared distances

# AERODROME CHART

PEMBROKE  
PEMBROKE ON



Source of Canadian Civil Aeronautical Data : © 2010 NAV CANADA All rights reserved

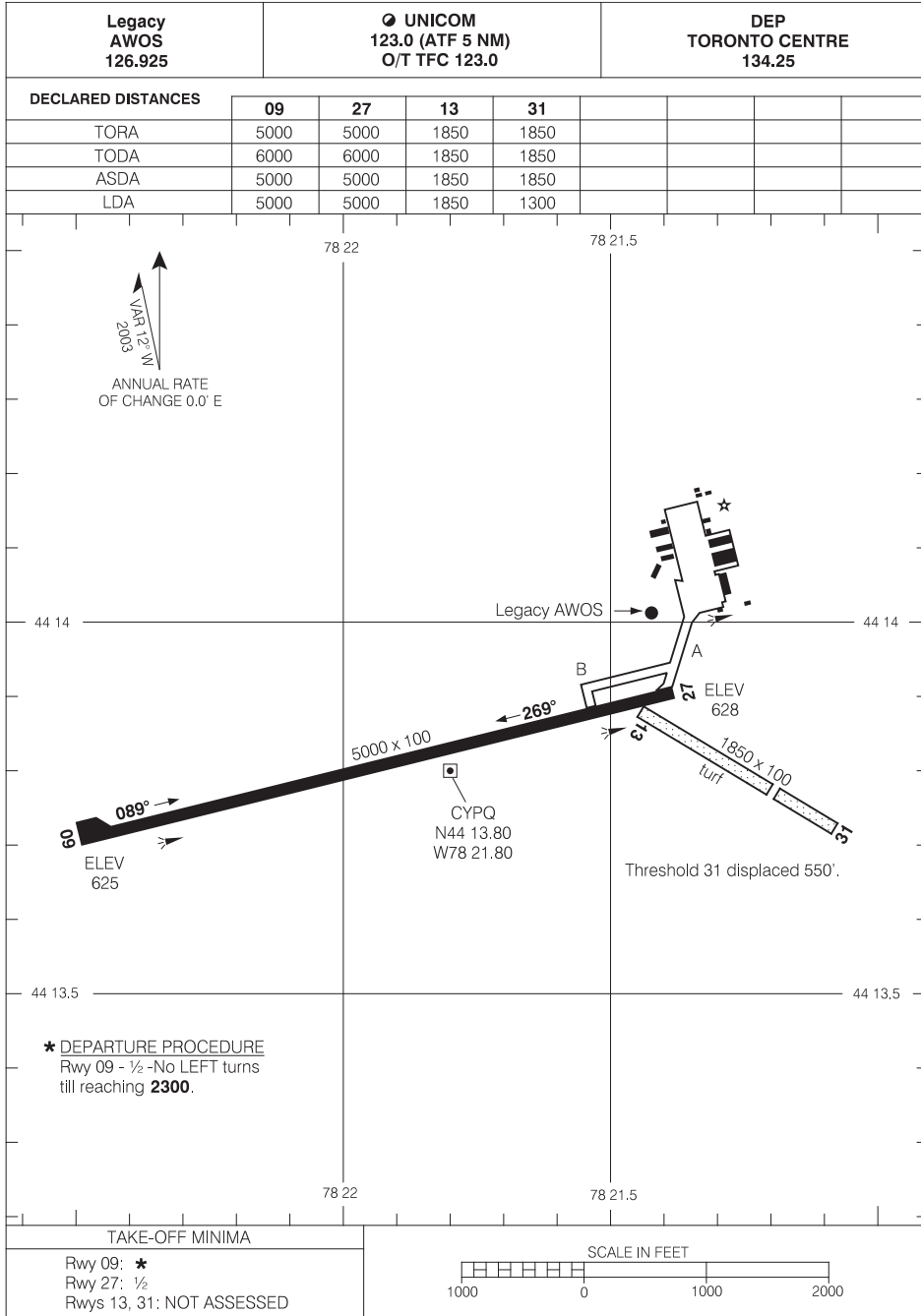
# AERODROME CHART

PEMBROKE ON  
PEMBROKE  
NAD83

EFF 22 OCT 09 CHANGE: COMM

# AERODROME CHART

PETERBOROUGH  
PETERBOROUGH ON



Source of Canadian Civil Aeronautical Data : © 2010 NAV CANADA All rights reserved

# AERODROME CHART

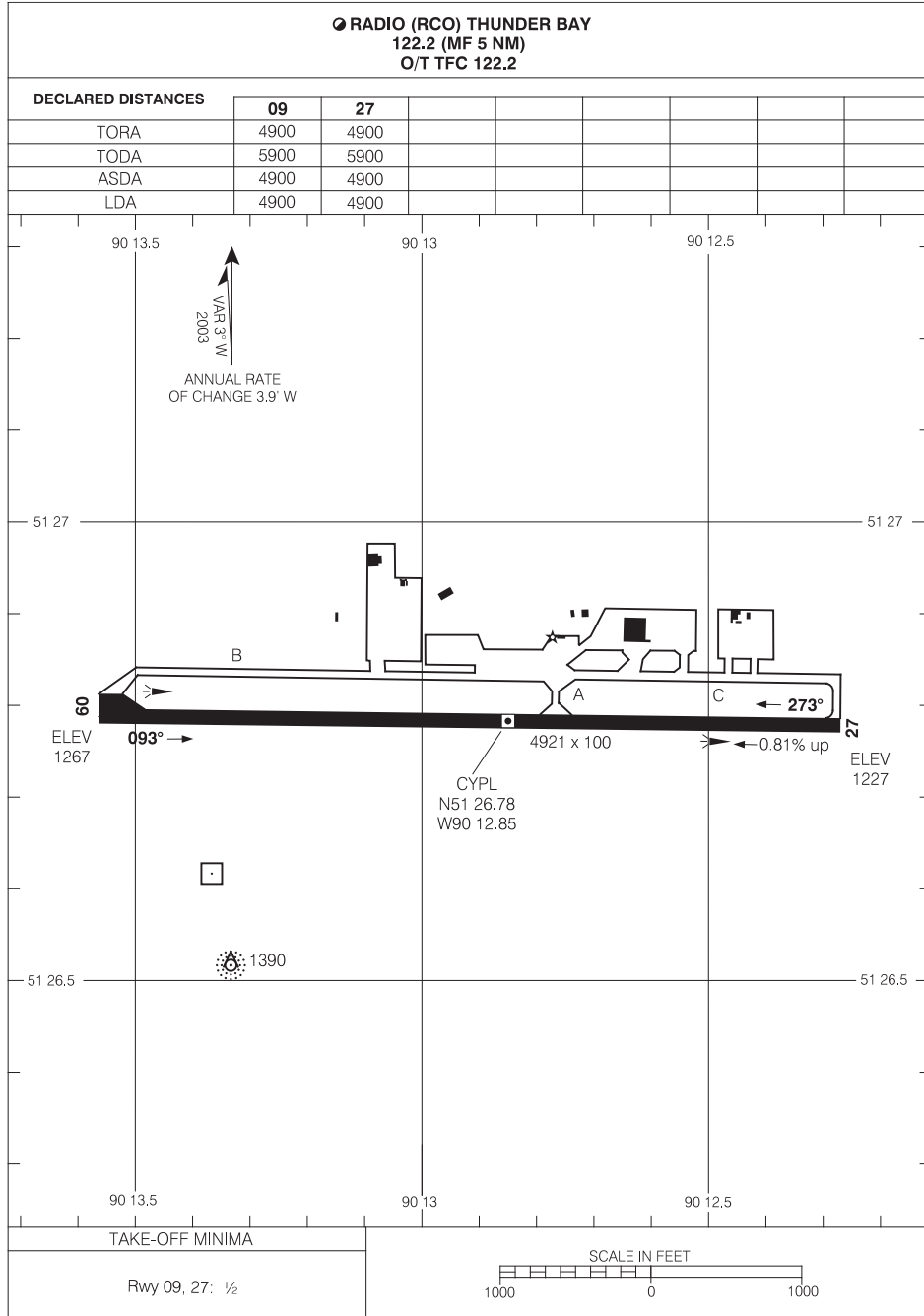
PETERBOROUGH ON  
PETERBOROUGH  
NAD83

EFF 27 AUG 09 CHANGE: Declared distances



# AERODROME CHART

PICKLE LAKE  
PICKLE LAKE ON



Source of Canadian Civil Aeronautical Data : © 2010 NAV CANADA All rights reserved

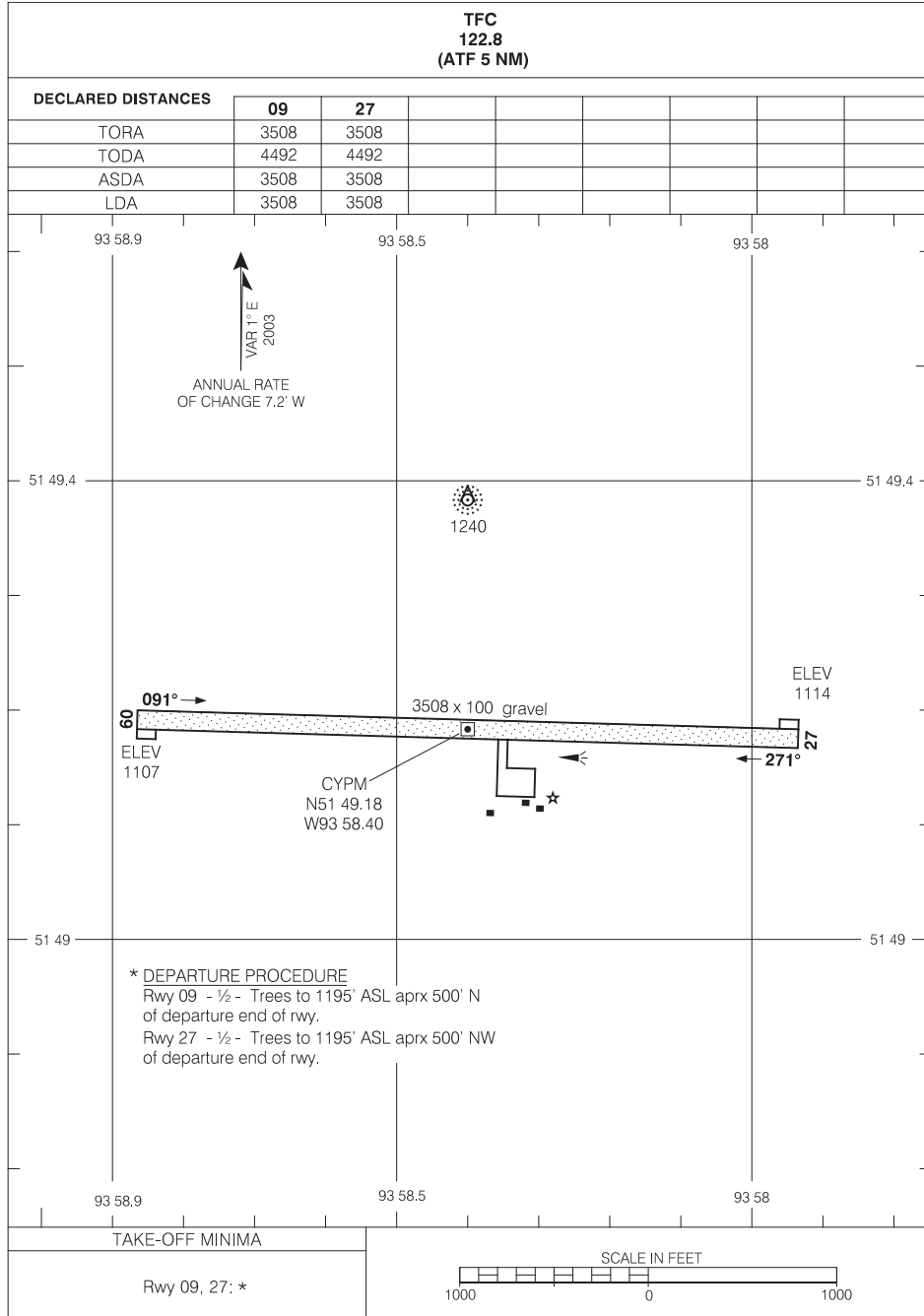
# AERODROME CHART

PICKLE LAKE ON  
PICKLE LAKE  
NAD83

EFF 27 AUG 09      CHANGE: VOT deleted

# AERODROME CHART

PIKANGIKUM  
PIKANGIKUM ON



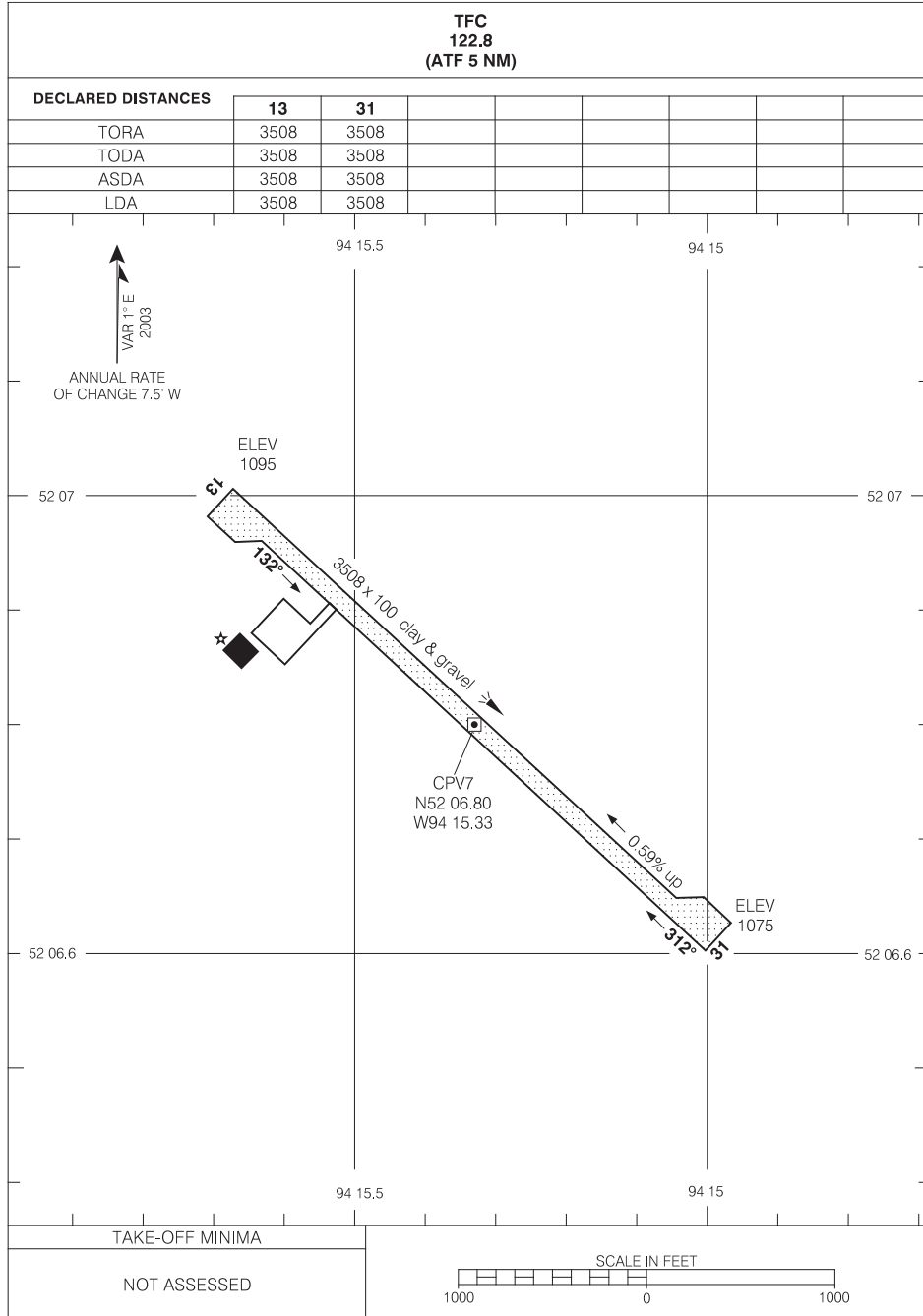
# AERODROME CHART

PIKANGIKUM ON  
PIKANGIKUM  
NAD83

EFF 11 FEB 10      CHANGE: Comm, TODA

# AERODROME CHART

POPLAR HILL  
POPLAR HILL ON



Source of Canadian Civil Aeronautical Data : © 2010 NAV CANADA All rights reserved

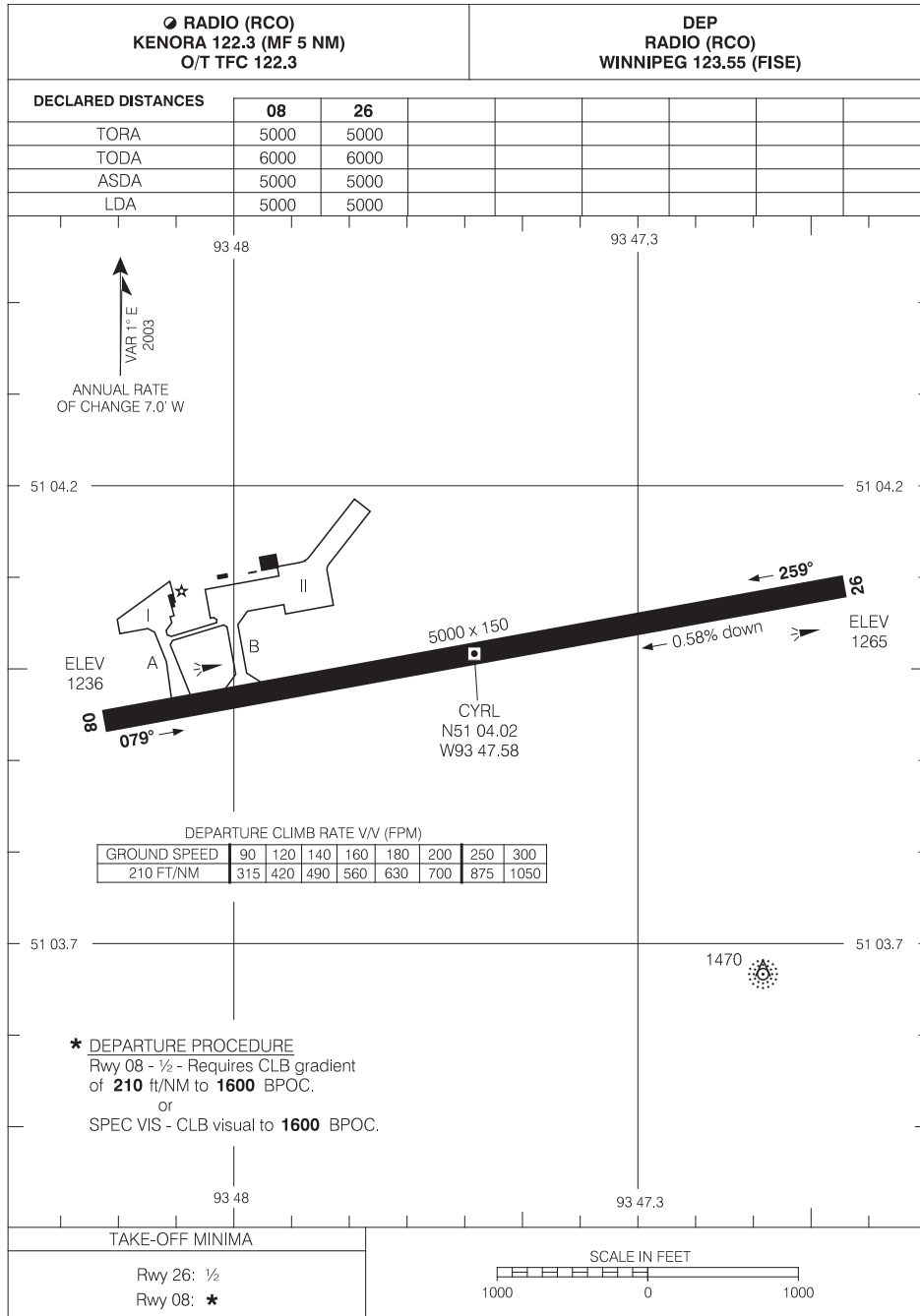
# AERODROME CHART

POPLAR HILL ON  
POPLAR HILL  
NAD83

EFF 27 AUG 09 CHANGE: Declared distances

# AERODROME CHART

RED LAKE  
RED LAKE ON



Source of Canadian Civil Aeronautical Data : © 2010 NAV CANADA All rights reserved

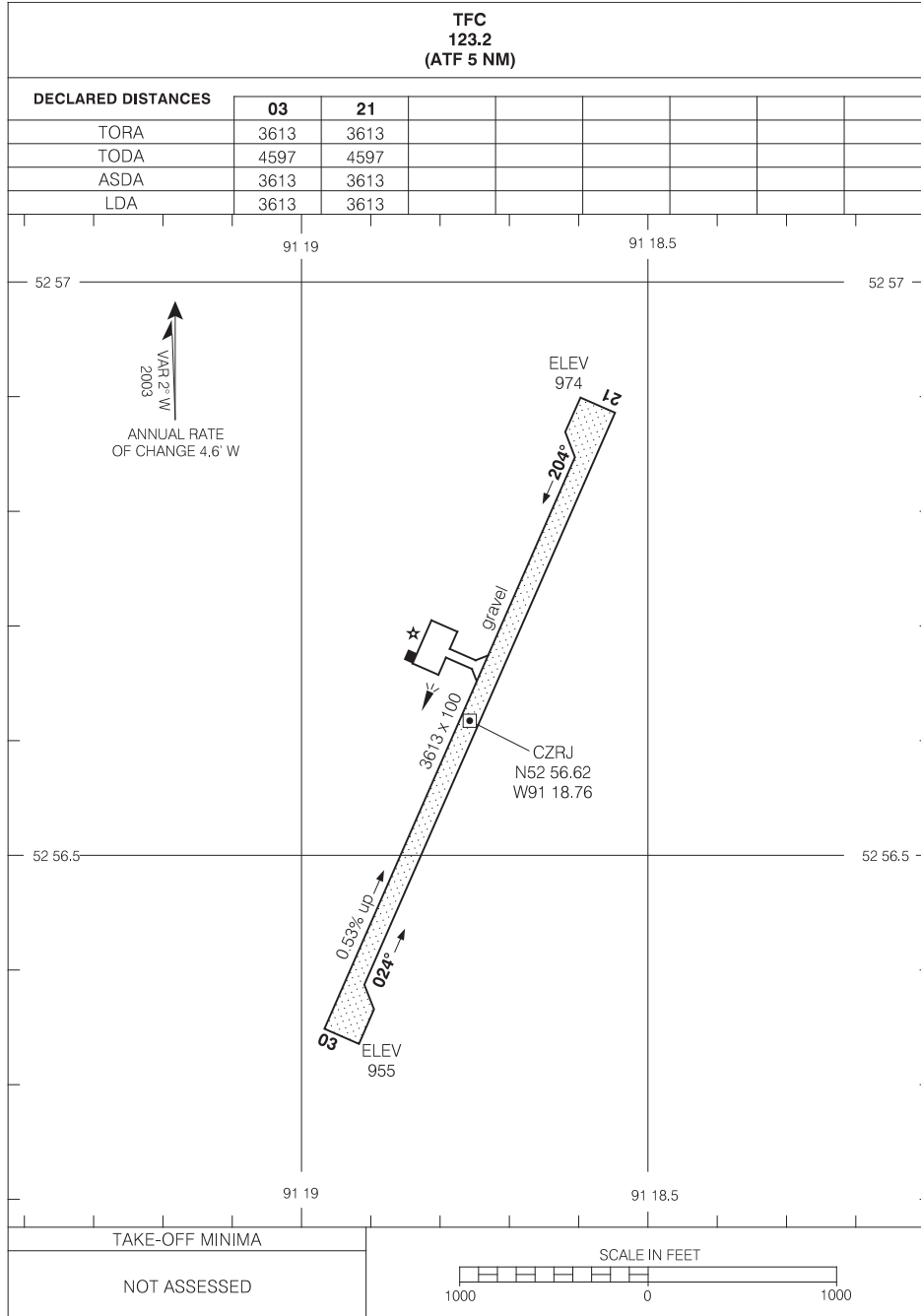
# AERODROME CHART

RED LAKE ON  
RED LAKE  
NAD83

EFF 20 DEC 07 CHANGE: Taxiway C ident withdrawn

# AERODROME CHART

ROUND LAKE (WEAGAMOW LAKE)  
ROUND LAKE (WEAGAMOW LAKE) ON



Source of Canadian Civil Aeronautical Data : © 2010 NAV CANADA All rights reserved

# AERODROME CHART

ROUND LAKE (WEAGAMOW LAKE) ON  
ROUND LAKE (WEAGAMOW LAKE)

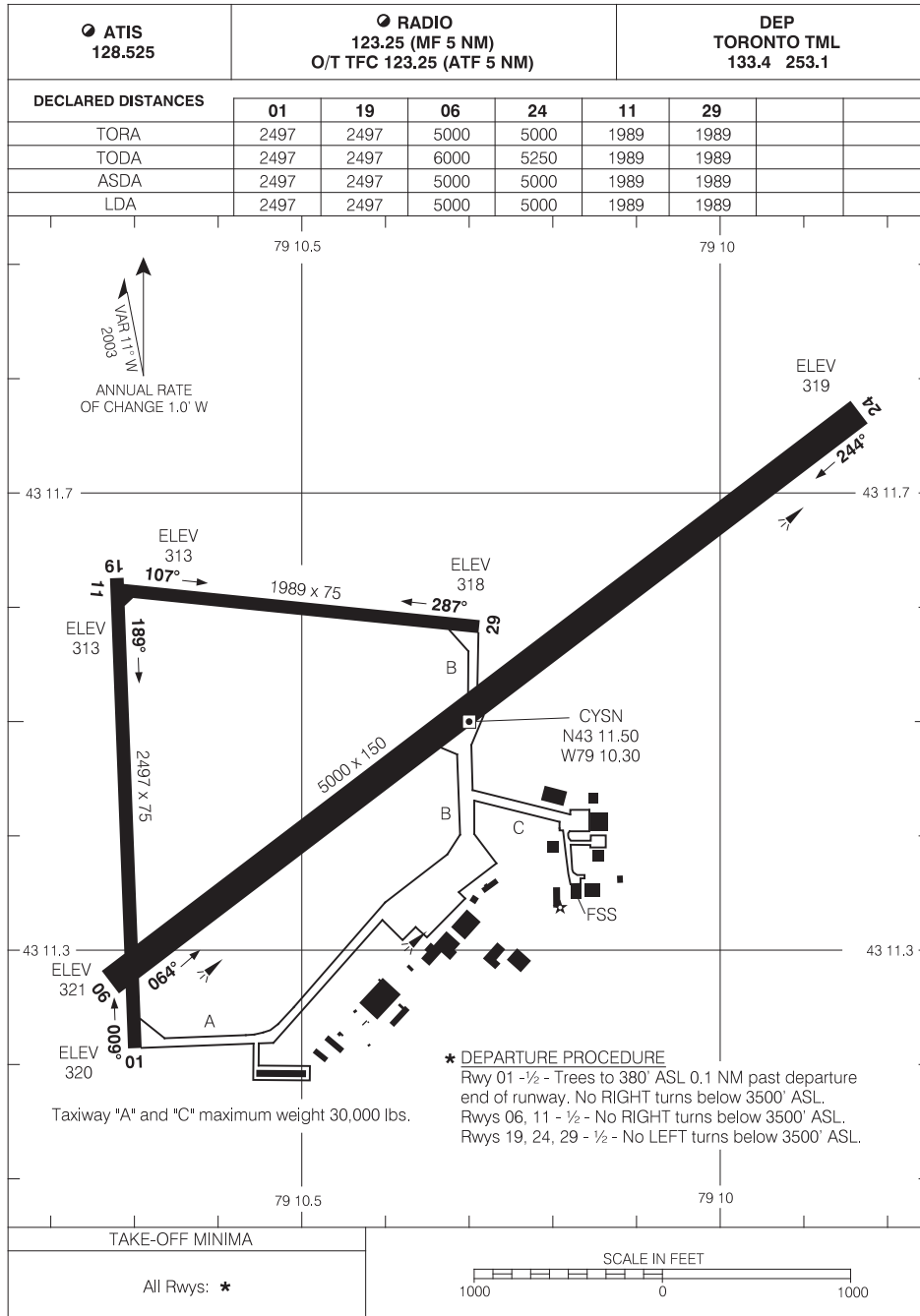
EFF 11 FEB 10

CHANGE: Declared distance, rwy length, AGCC, mag bearing

NAD83

# AERODROME CHART

ST. CATHARINES /NIAGARA DISTRICT  
ST. CATHARINES ON



Source of Canadian Civil Aeronautical Data : © 2010 NAV CANADA All rights reserved

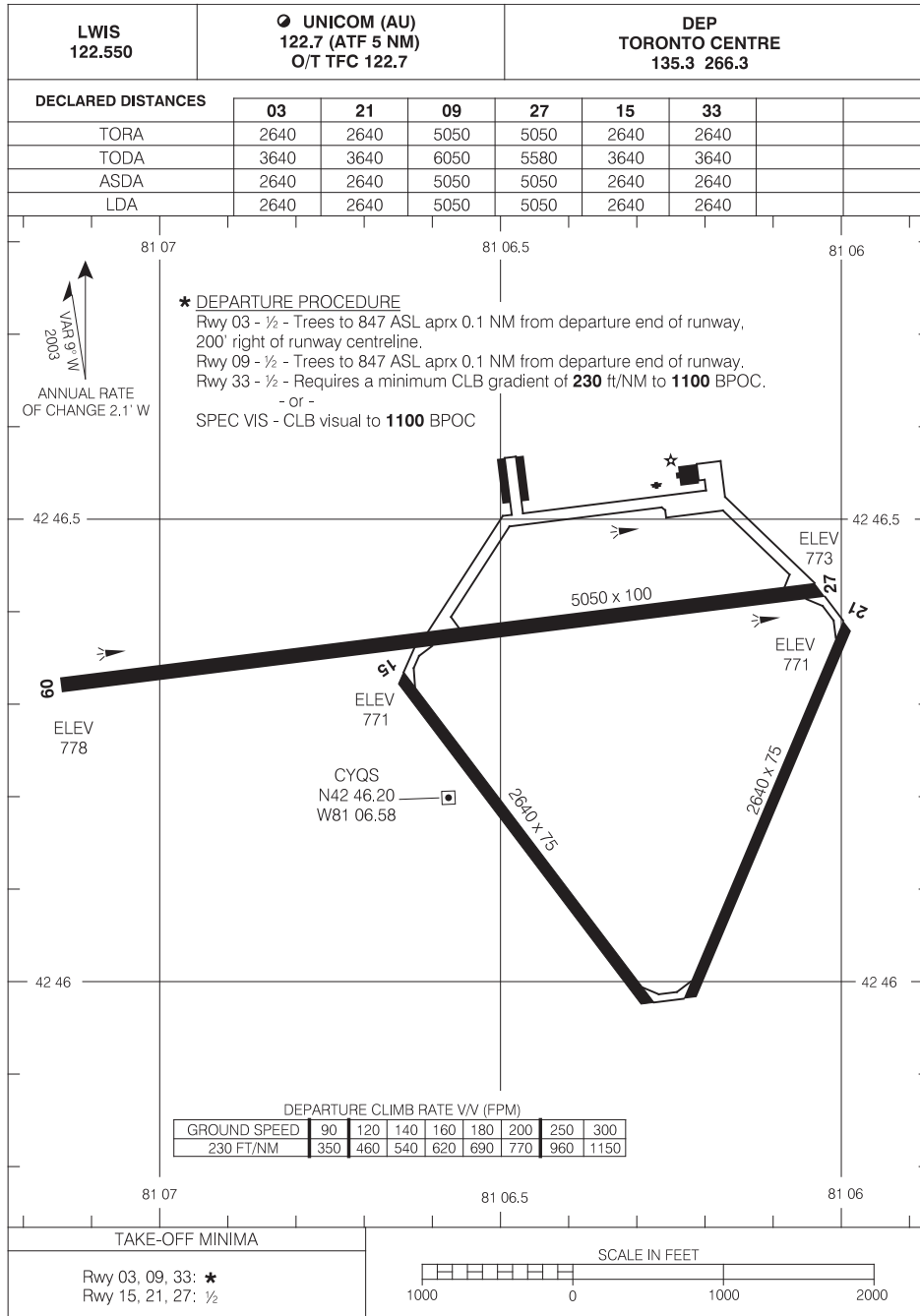
# AERODROME CHART

ST. CATHARINES ON  
ST. CATHARINES /NIAGARA DISTRICT  
NAD83

EFF 5 JUN 08 CHANGE: Rwy bearings; Bldgs added

# AERODROME CHART

ST. THOMAS MUNI  
ST. THOMAS ON



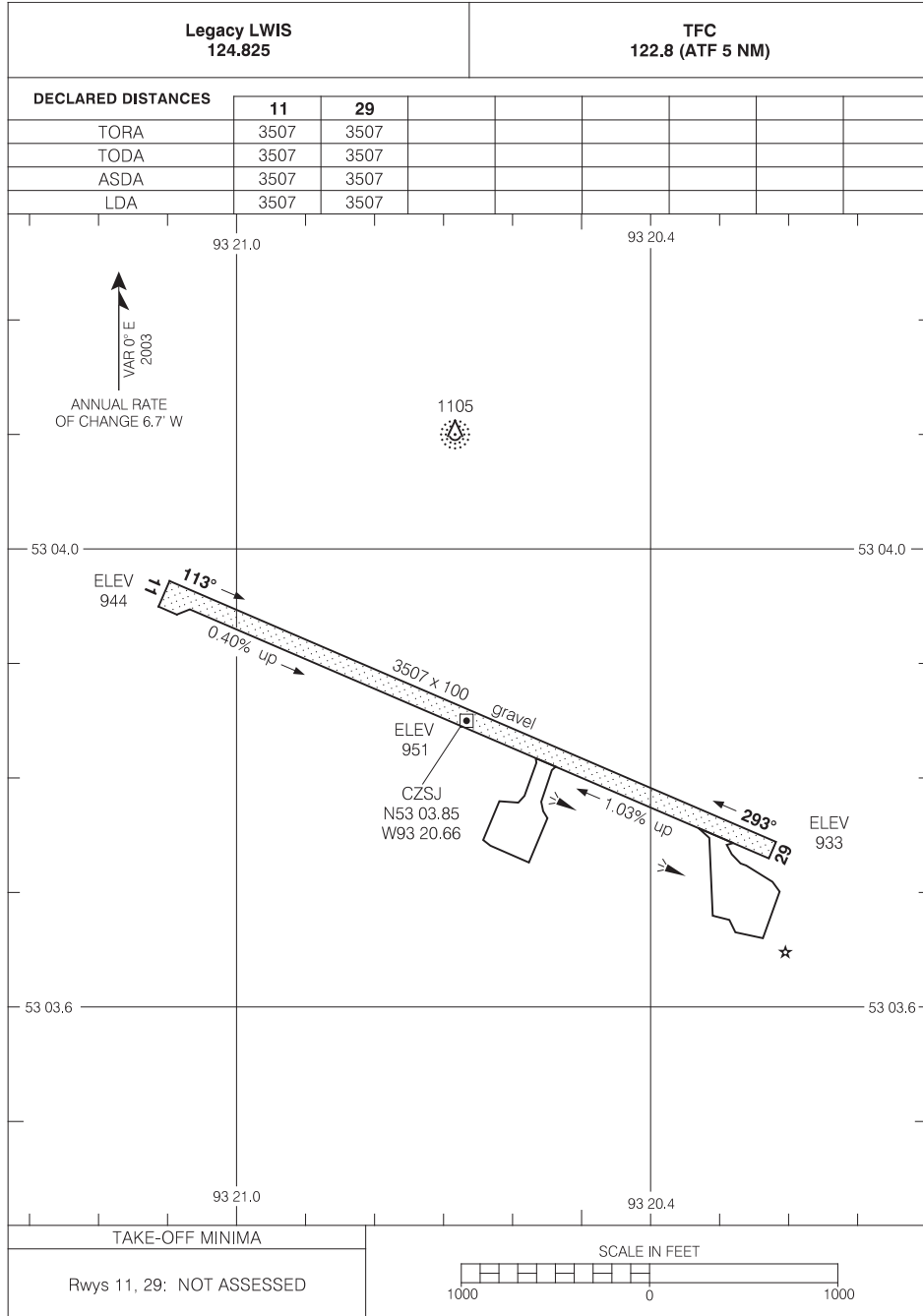
# AERODROME CHART

ST. THOMAS ON  
ST. THOMAS MUNI  
NAD83

EFF 11 FEB 10 CHANGE: Comm

# AERODROME CHART

SANDY LAKE  
SANDY LAKE ON



Source of Canadian Civil Aeronautical Data : © 2010 NAV CANADA All rights reserved

# AERODROME CHART

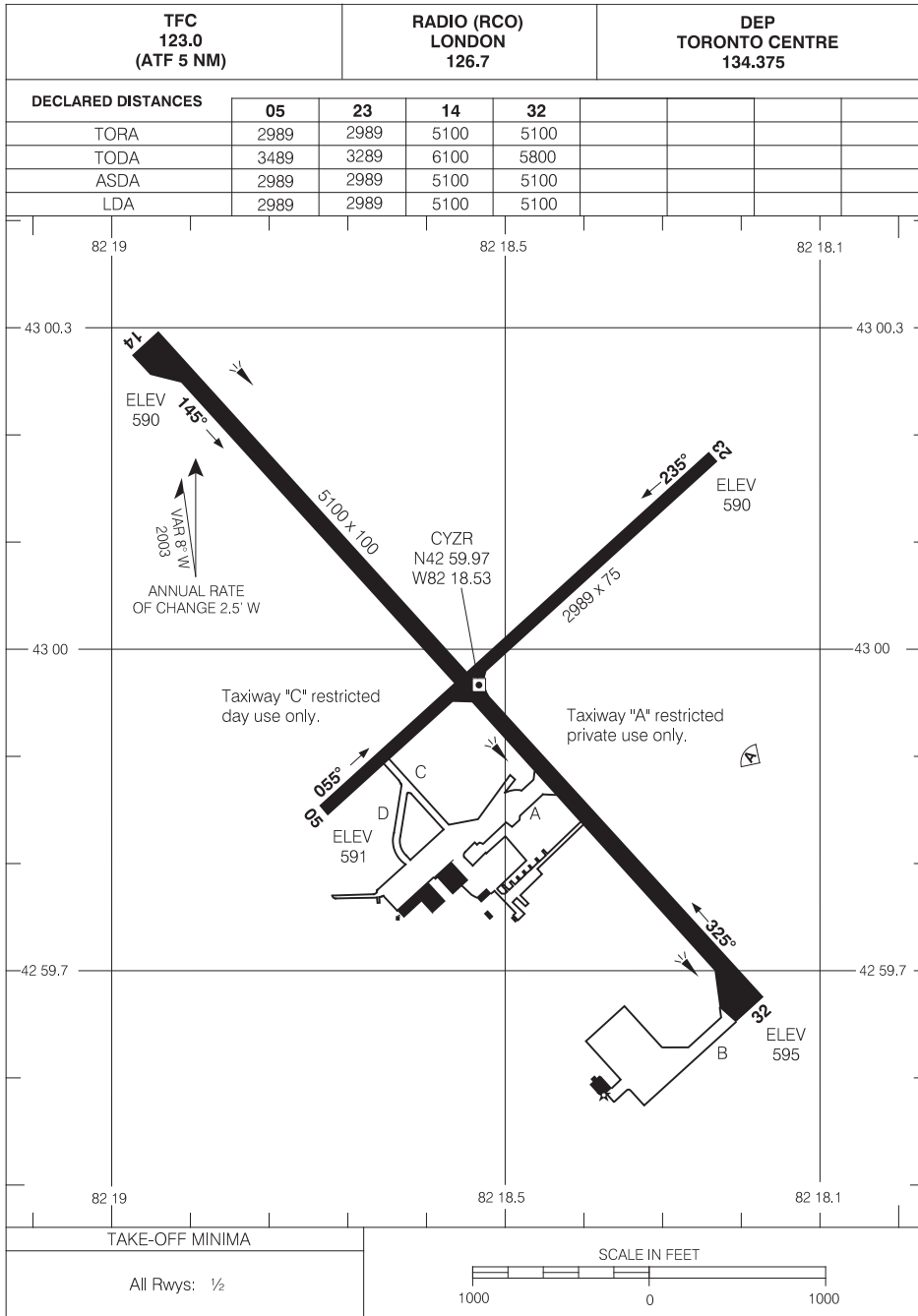
SANDY LAKE ON  
SANDY LAKE  
NAD83

EFF 11 FEB 10 CHANGE: Windsock added



# AERODROME CHART

SARNIA (CHRIS HADFIELD)  
SARNIA ON



Source of Canadian Civil Aeronautical Data : © 2010 NAV CANADA All rights reserved

# AERODROME CHART

SARNIA ON  
SARNIA (CHRIS HADFIELD)  
NAD83

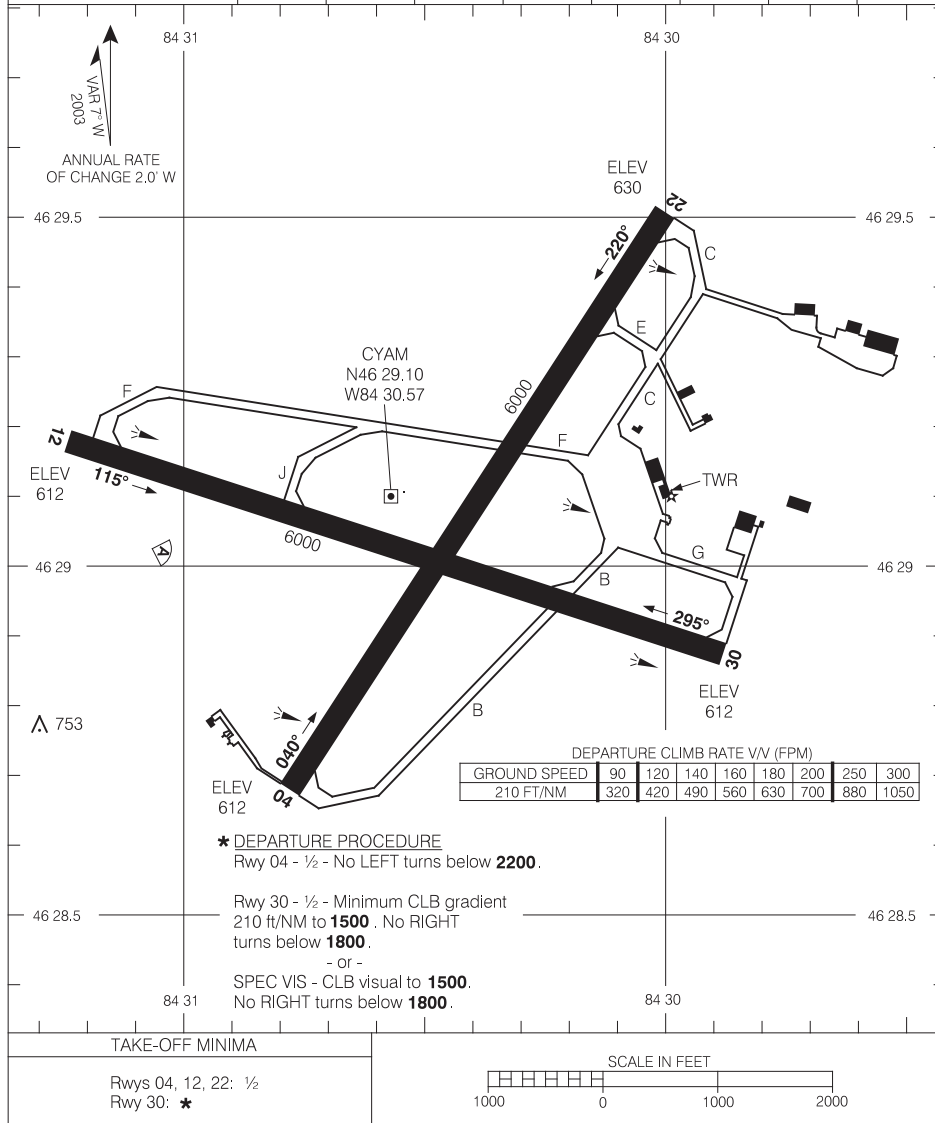
EFF 27 AUG 09 CHANGE: COMM

# AERODROME CHART

SAULT STE. MARIE  
SAULT STE. MARIE ON

ATIS 133.05	GND 121.7	TWR 118.8 O/T RDO 118.8 (MF 5 NM)	DEP TORONTO CENTRE 132.65 344.5
----------------	--------------	---	---------------------------------------

DECLARED DISTANCES	04	22	12	30
TORA	6000	6000	6000	6000
TODA	7000	7000	7000	7000
ASDA	6000	6000	6000	6000
LDA	6000	6000	6000	6000



Source of Canadian Civil Aeronautical Data : © 2010 NAV CANADA All rights reserved

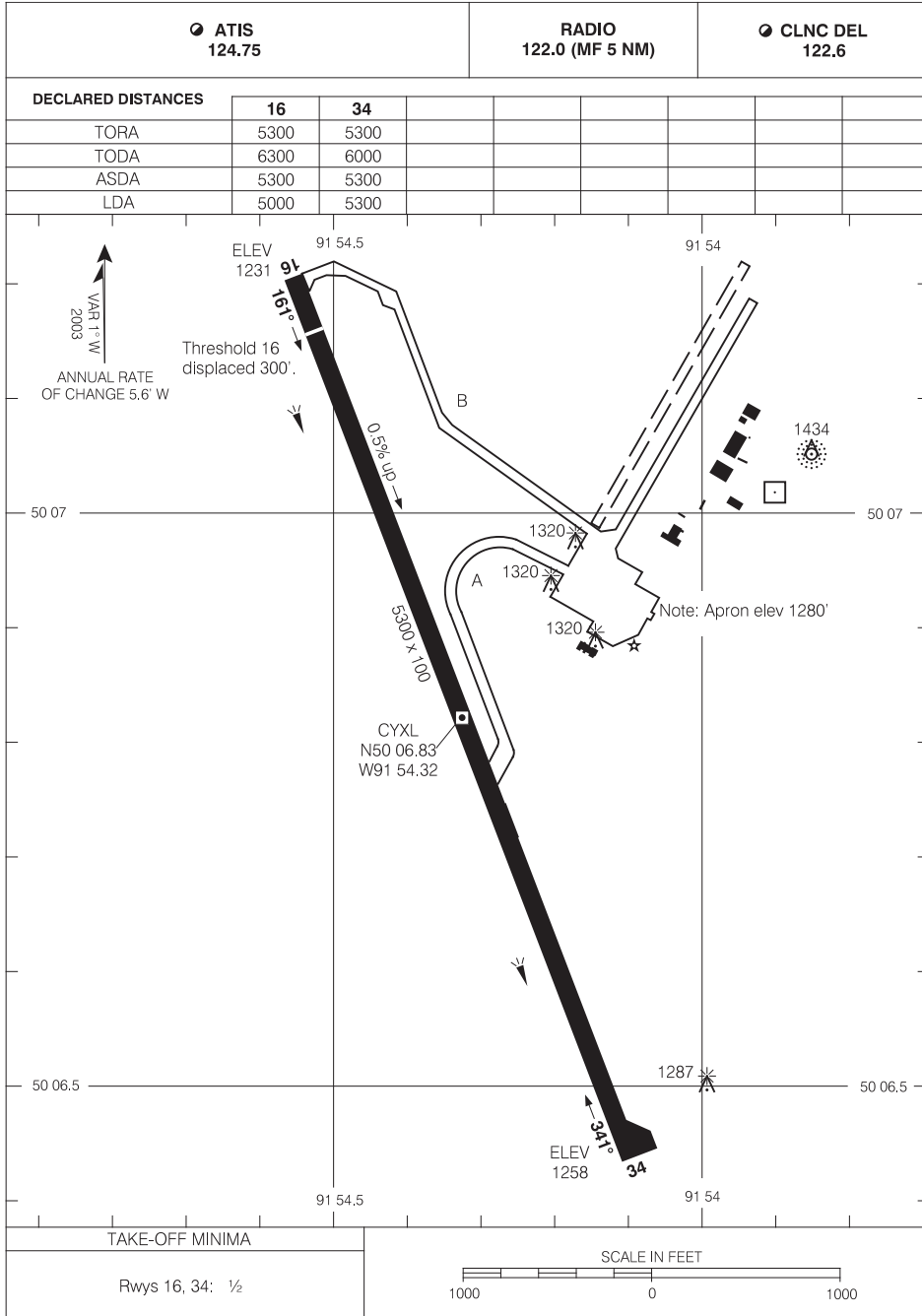
# AERODROME CHART

SAULT STE. MARIE ON  
SAULT STE. MARIE  
NAD83

EFF 22 OCT 09 CHANGE: COMM

# AERODROME CHART

SIOUX LOOKOUT  
SIOUX LOOKOUT ON



# AERODROME CHART

SIOUX LOOKOUT ON  
SIOUX LOOKOUT

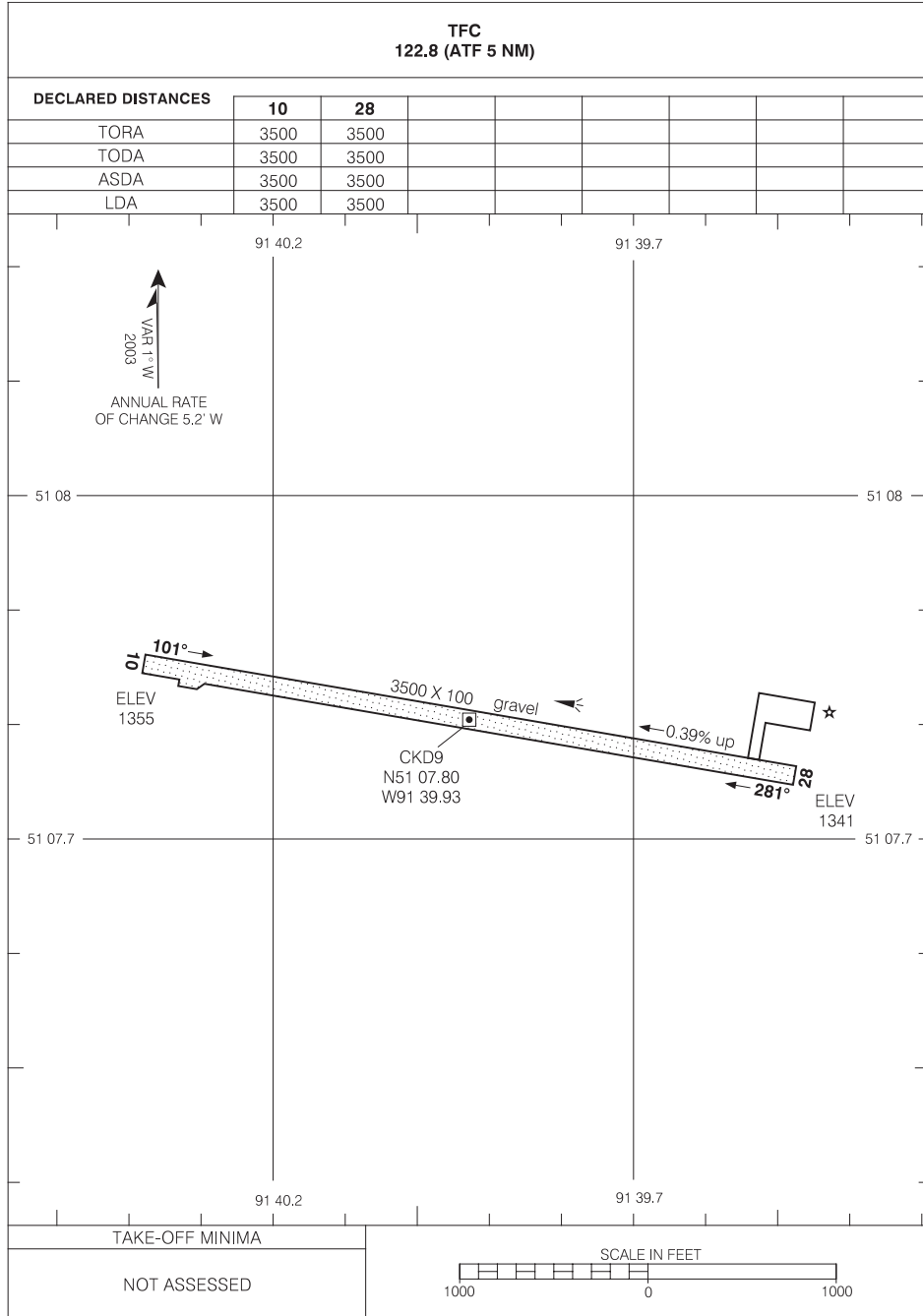
EFF 27 AUG 09

CHANGE: Obstacle added, VOT deleted

NAD83

# AERODROME CHART

SLATE FALLS  
SLATE FALLS ON



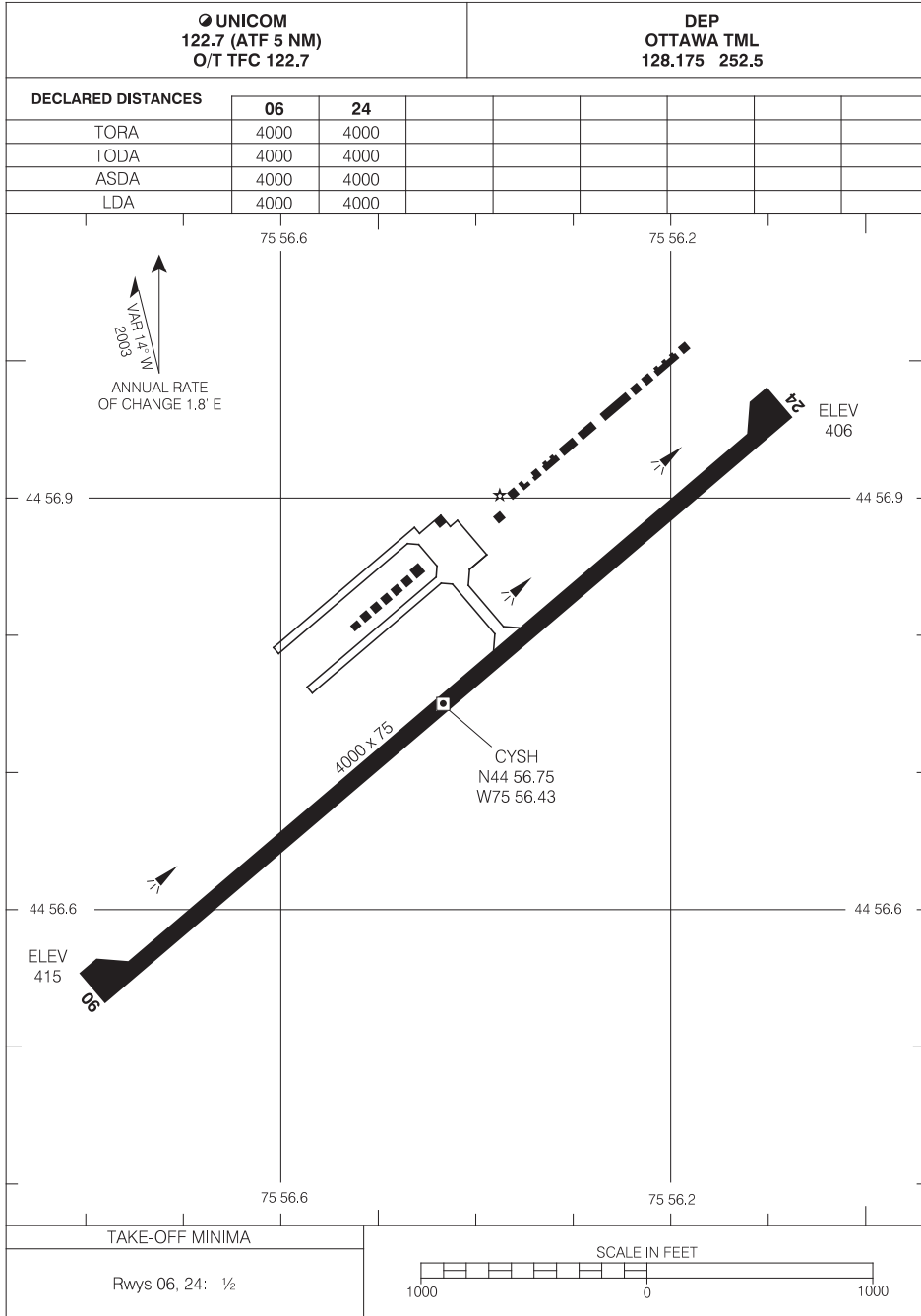
# AERODROME CHART

SLATE FALLS ON  
SLATE FALLS  
NAD83

EFF 22 OCT 09 CHANGE: LDA declared distance

# AERODROME CHART

SMITHS FALLS-MONTAGUE (RUSS BEACH)  
SMITHS FALLS ON



# AERODROME CHART

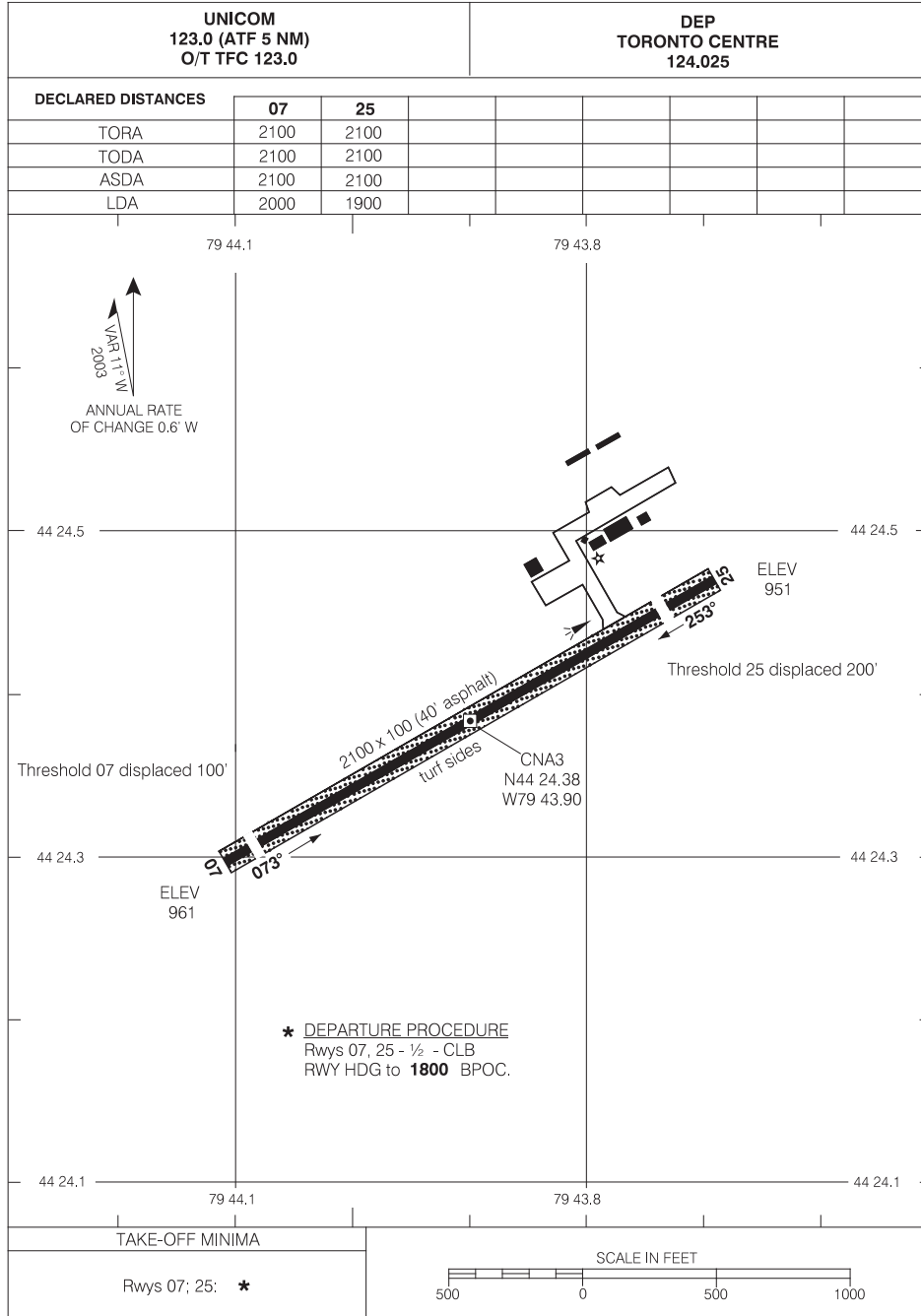
SMITHS FALLS ON  
SMITHS FALLS-MONTAGUE (RUSS BEACH)

EFF 16 FEB 06      CHANGE: DEP frequencies

NAD83

# AERODROME CHART

SPRINGWATER (BARRIE AIRPARK)  
BARRIE ON



Source of Canadian Civil Aeronautical Data : © 2010 NAV CANADA All rights reserved

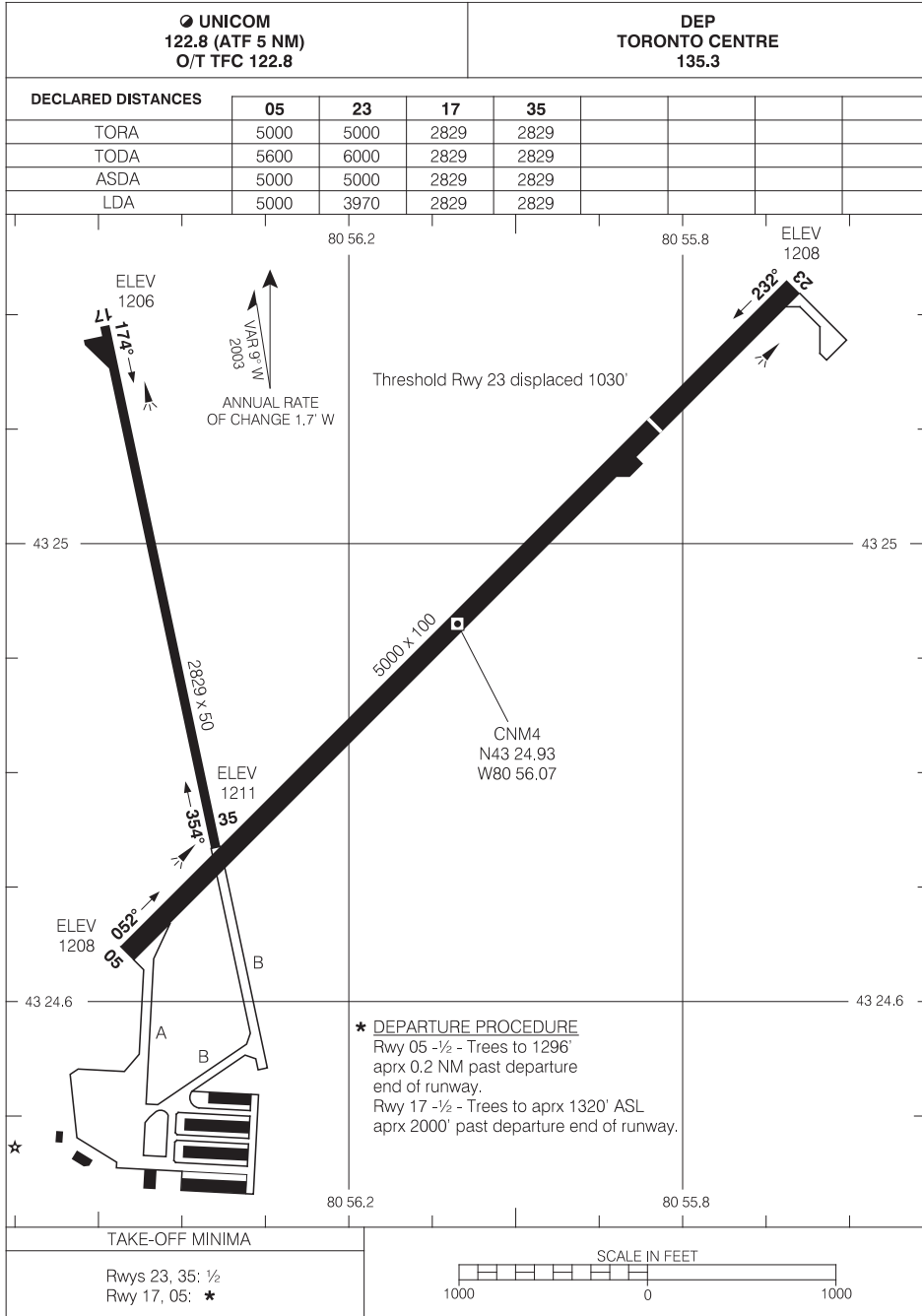
# AERODROME CHART

BARRIE ON  
SPRINGWATER (BARRIE AIRPARK)  
NAD83

EFF 13 APR 06 CHANGE: Editorial

# AERODROME CHART

STRATFORD MUNI  
STRATFORD ON



Source of Canadian Civil Aeronautical Data : © 2010 NAV CANADA All rights reserved

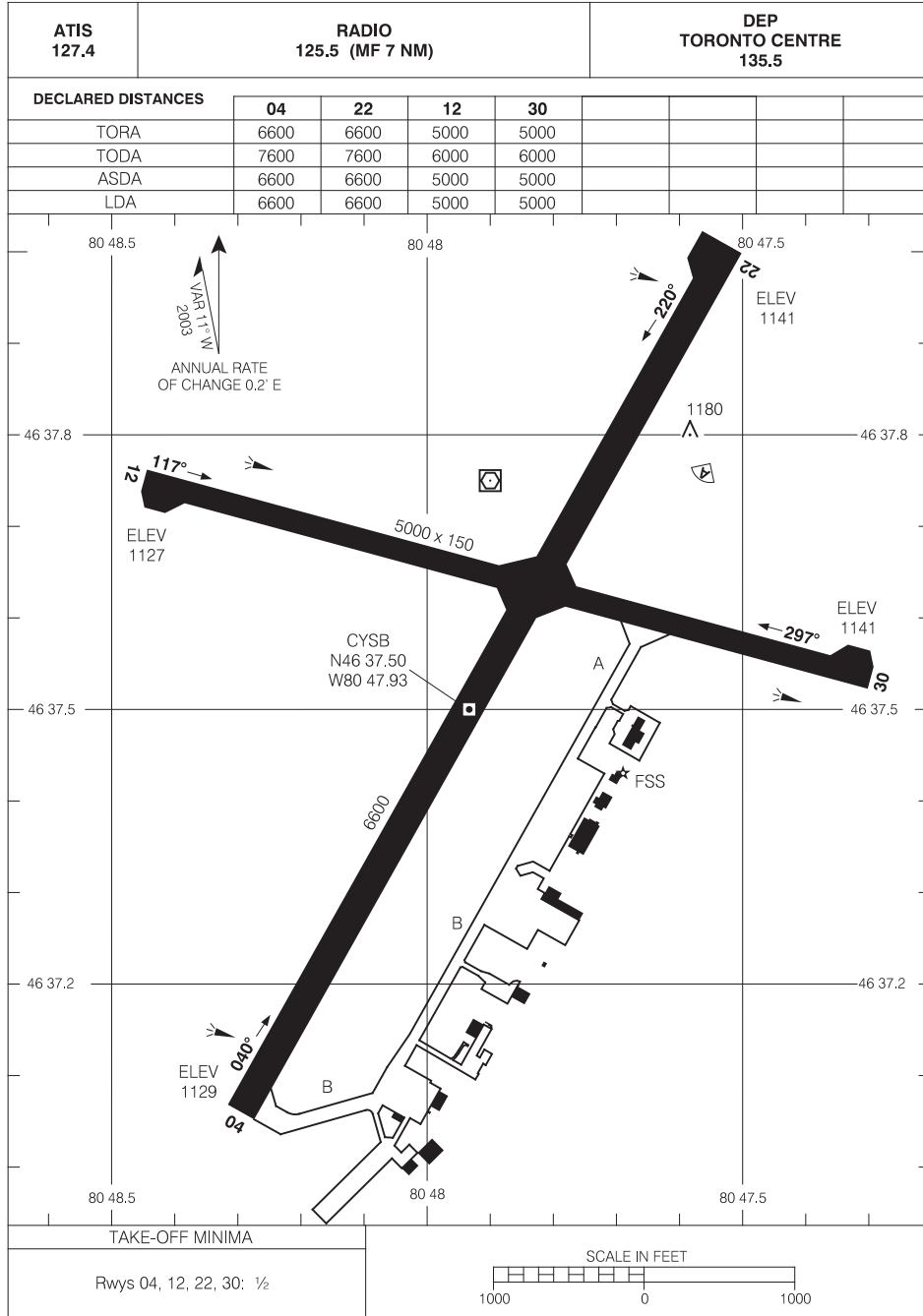
# AERODROME CHART

STRATFORD ON  
STRATFORD MUNI  
NAD83

EFF 13 APR 06 CHANGE: Editorial

# AERODROME CHART

SUDBURY  
SUDBURY ON



Source of Canadian Civil Aeronautical Data : © 2010 NAV CANADA All rights reserved

# AERODROME CHART

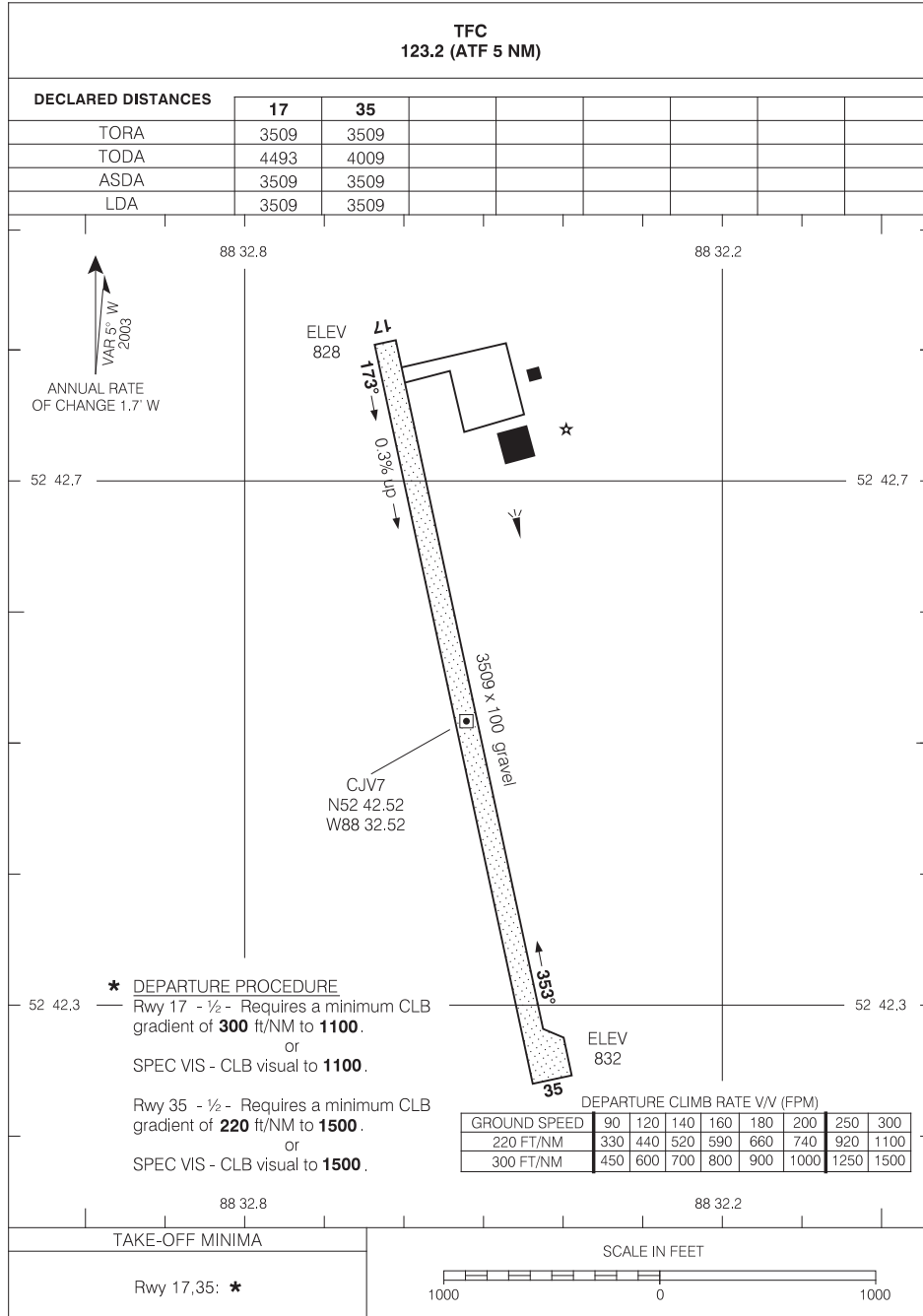
SUDBURY ON  
SUDBURY  
NAD83

EFF 22 OCT 09 CHANGE: COMM



# AERODROME CHART

SUMMER BEAVER  
SUMMER BEAVER ON



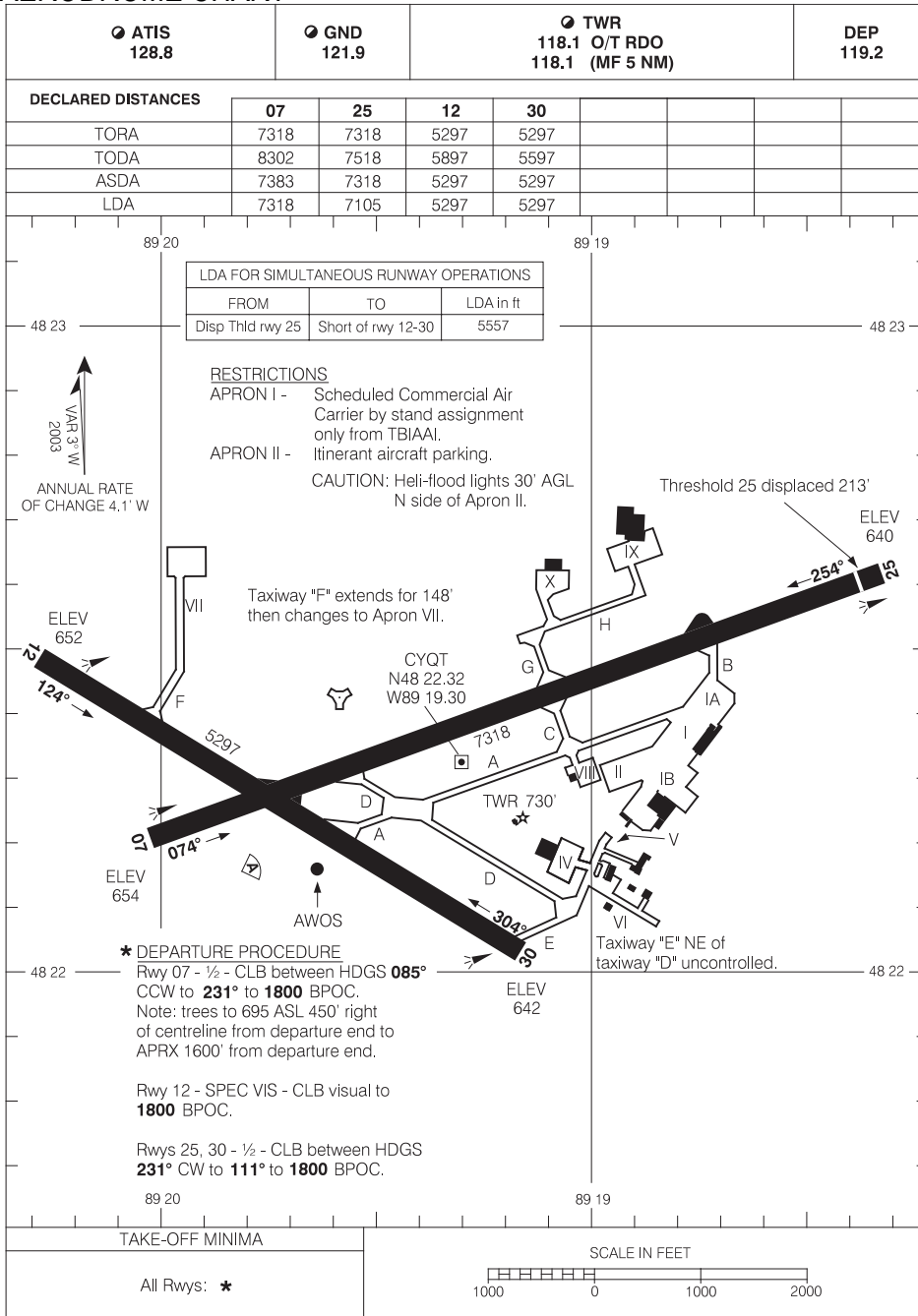
# AERODROME CHART

SUMMER BEAVER ON  
SUMMER BEAVER  
NAD83

EFF 11 FEB 10 CHANGE: Declared distances

# AERODROME CHART

THUNDER BAY  
THUNDER BAY ON



Source of Canadian Civil Aeronautical Data : © 2010 NAV CANADA All rights reserved

# AERODROME CHART

THUNDER BAY ON  
THUNDER BAY

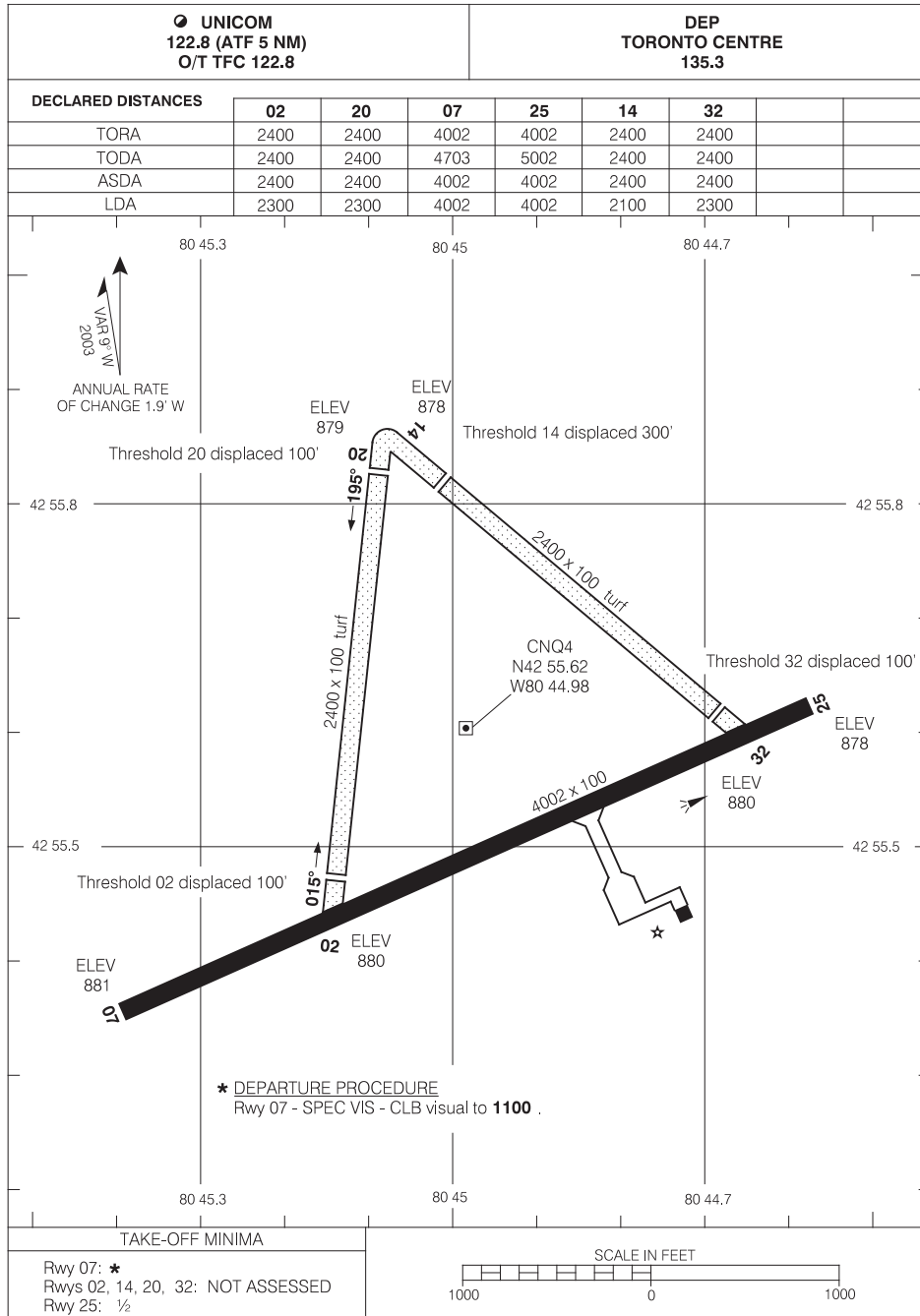
EFF 11 FEB 10

CHANGE: AGCC, rwy length, declared distances

NAD83

# AERODROME CHART

TILLSONBURG  
TILLSONBURG ON



Source of Canadian Civil Aeronautical Data : © 2010 NAV CANADA All rights reserved

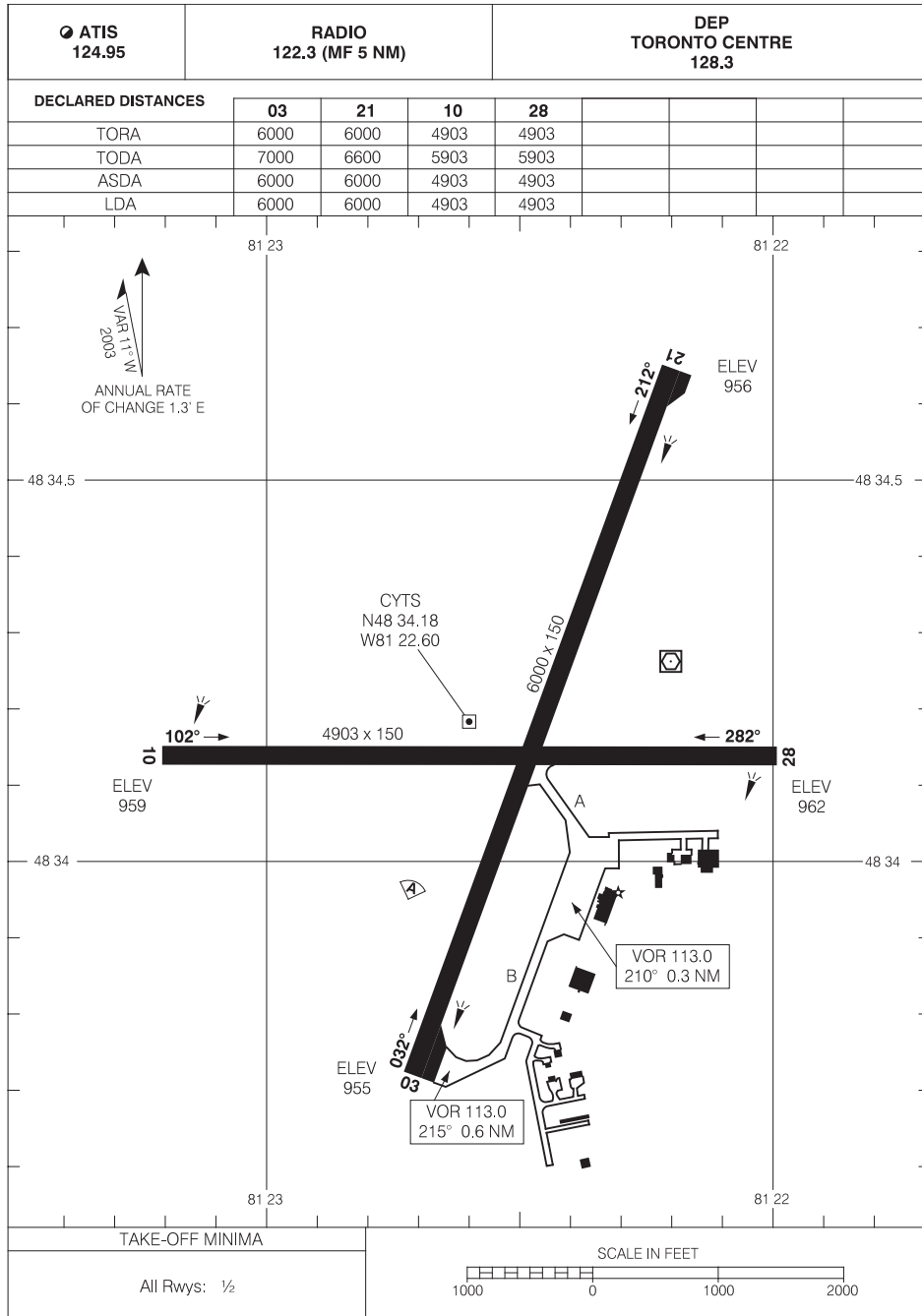
# AERODROME CHART

TILLSONBURG ON  
TILLSONBURG  
NAD83

EFF 27 AUG 09 CHANGE: Declared distances

# AERODROME CHART

TIMMINS/ VICTOR M. POWER  
TIMMINS ON



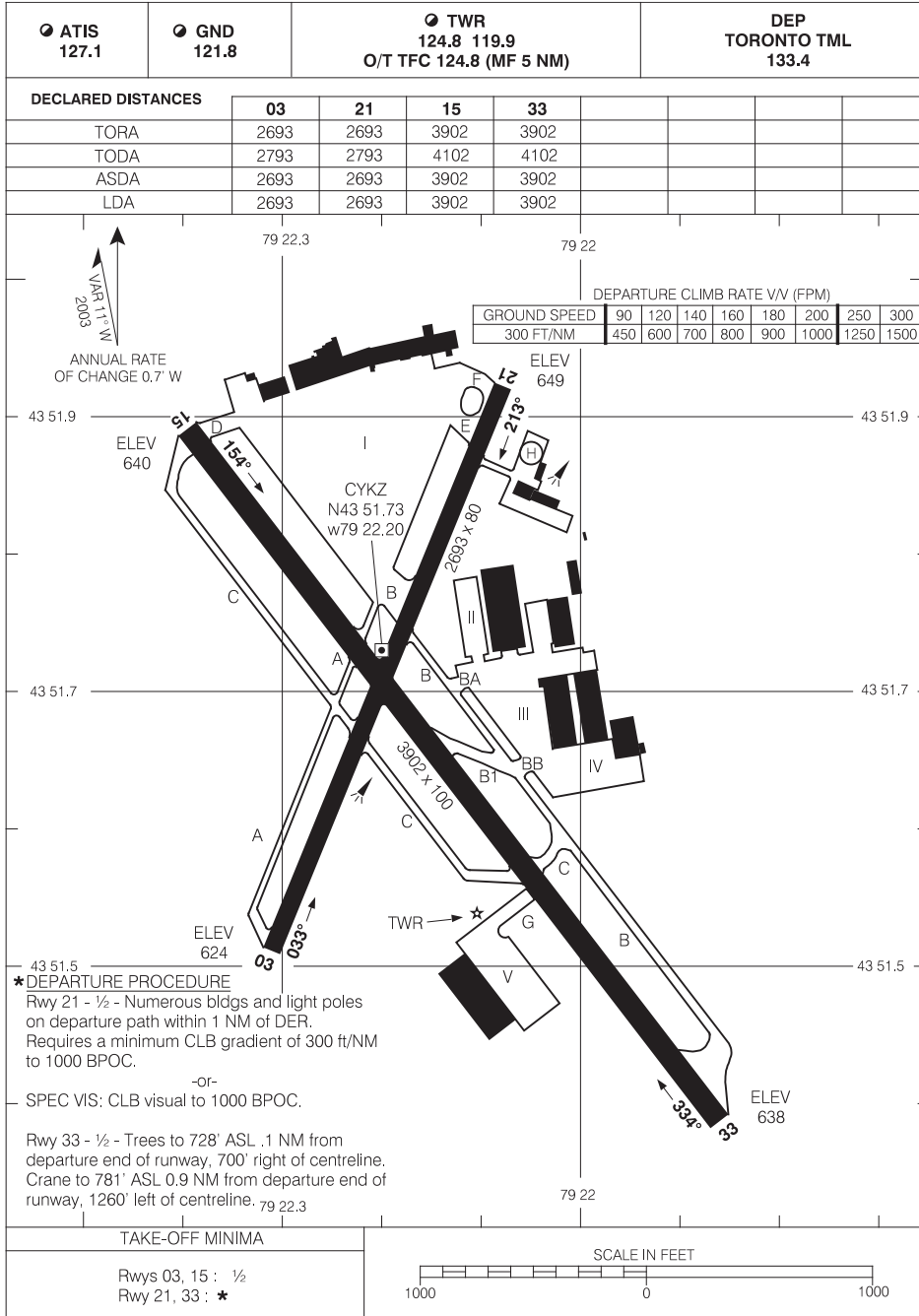
# AERODROME CHART

EFF 11 FEB 10 CHANGE: Aerodrome name

TIMMINS ON  
TIMMINS/ VICTOR M. POWER  
NAD83

# AERODROME CHART

TORONTO/BUTTONVILLE MUNI  
TORONTO ON



Source of Canadian Civil Aeronautical Data : © 2010 NAV CANADA All rights reserved

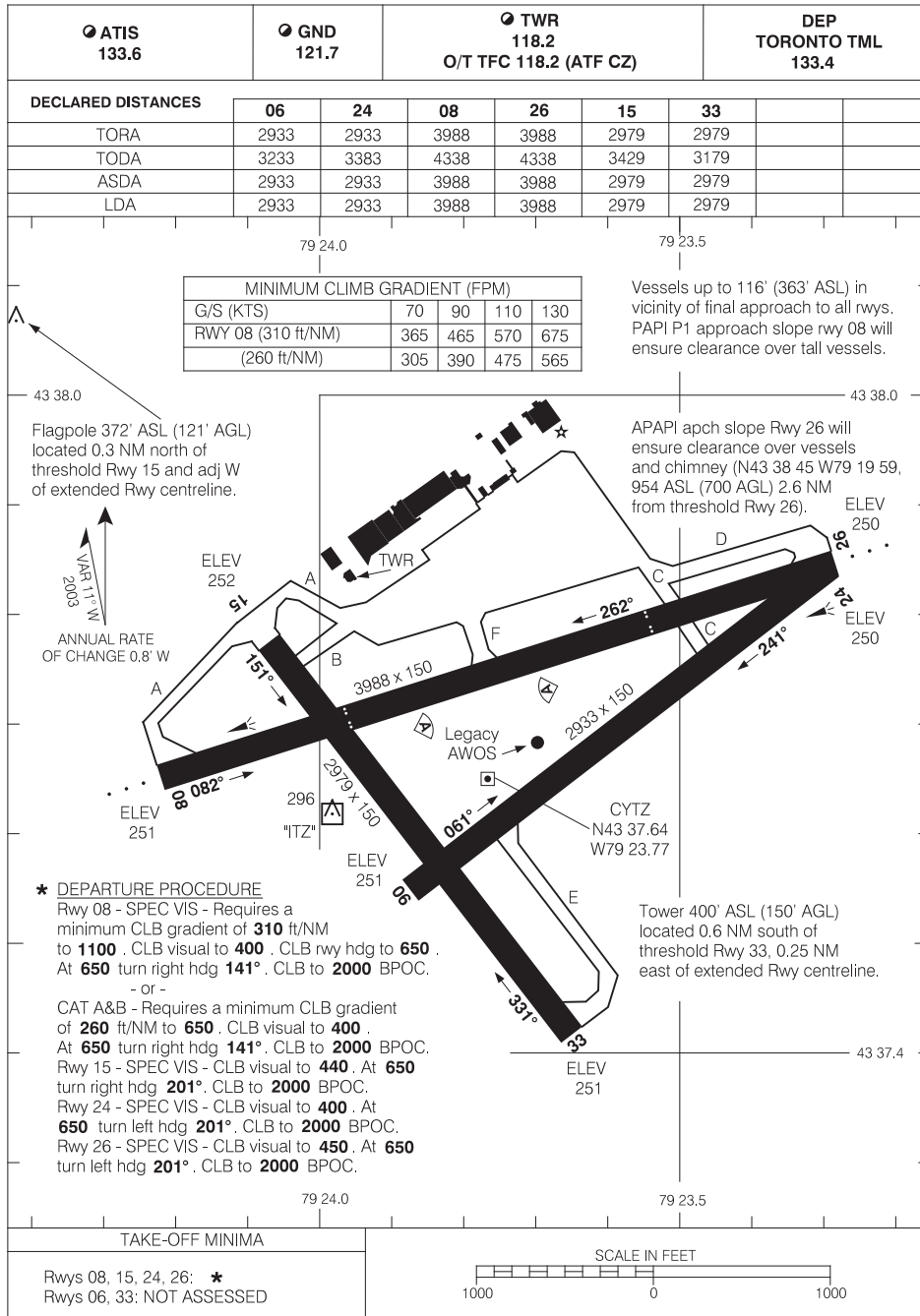
# AERODROME CHART

TORONTO ON  
TORONTO/BUTTONVILLE MUNI  
NAD83

EFF 27 AUG 09 CHANGE: COMM

# AERODROME CHART

TORONTO/BILLY BISHOP TORONTO CITY AIRPORT  
TORONTO ON



**\* DEPARTURE PROCEDURE**  
 Rwy 08 - SPEC VIS - Requires a minimum CLB gradient of **310** ft/NM to **1100**. CLB visual to **400**. CLB rwy hdg to **650**. At **650** turn right hdg **141°**. CLB to **2000** BPOC.  
 - or -  
 CAT A&B - Requires a minimum CLB gradient of **260** ft/NM to **650**. CLB visual to **400**. At **650** turn right hdg **141°**. CLB to **2000** BPOC.  
 Rwy 15 - SPEC VIS - CLB visual to **440**. At **650** turn right hdg **201°**. CLB to **2000** BPOC.  
 Rwy 24 - SPEC VIS - CLB visual to **400**. At **650** turn left hdg **201°**. CLB to **2000** BPOC.  
 Rwy 26 - SPEC VIS - CLB visual to **450**. At **650** turn left hdg **201°**. CLB to **2000** BPOC.

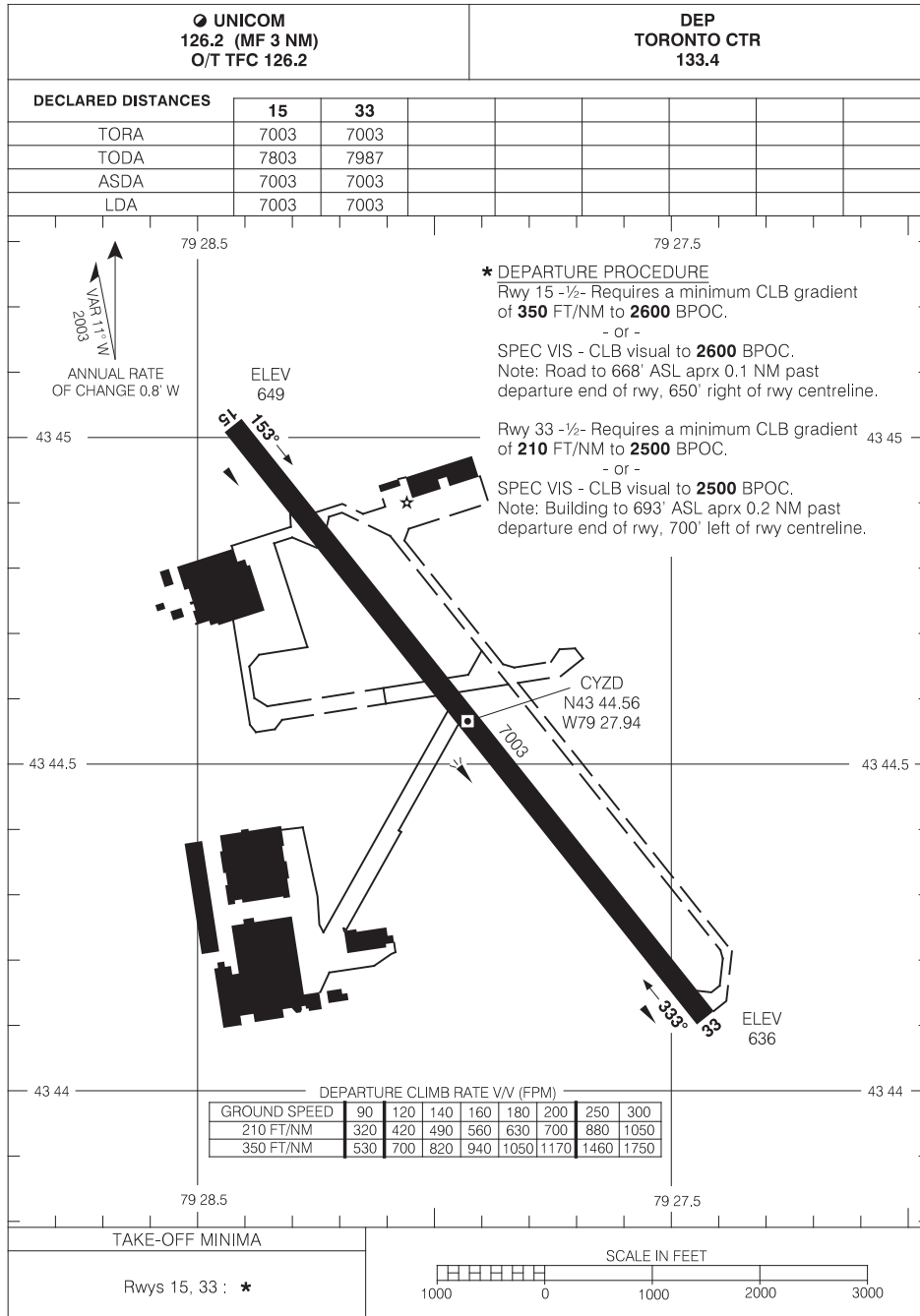
# AERODROME CHART

TORONTO ON  
TORONTO/BILLY BISHOP TORONTO CITY AIRPORT  
NAD83

EFF 11 FEB 10 CHANGE: Aerodrome name

# AERODROME CHART

TORONTO/DOWNSVIEW  
TORONTO ON



Source of Canadian Civil Aeronautical Data : © 2010 NAV CANADA All rights reserved

# AERODROME CHART

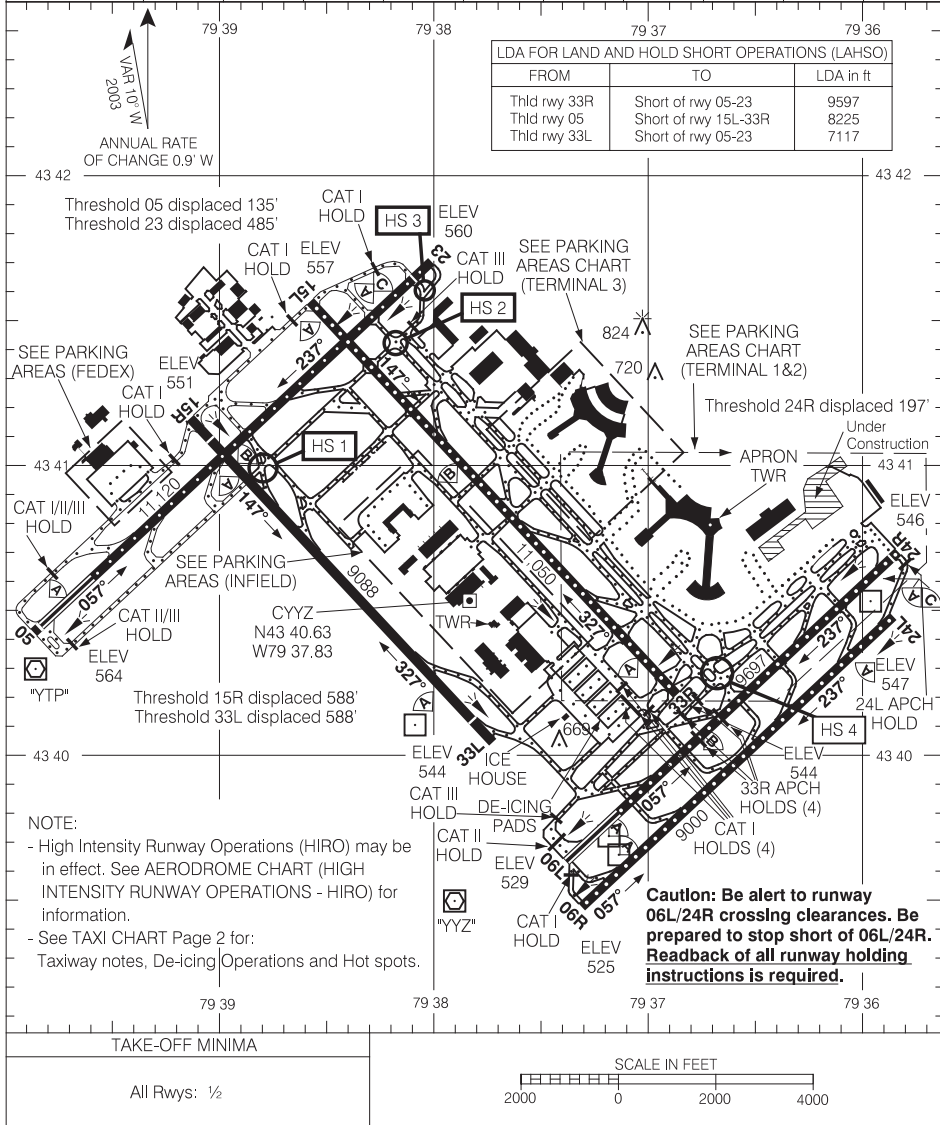
TORONTO ON  
TORONTO/DOWNSVIEW  
NAD83

EFF 22 OCT 09 CHANGE: Declared distances, rwy length

TORONTO/LESTER B. PEARSON INTL  
TORONTO ON

AERODROME CHART

ATIS 120.825	CLNC DEL 121.3	APRON ADVSY				GND		TORONTO TWR		DEP	
		NORTH APRON SOUTH APRON TML 3 PAD CONTROL	122.275 (122.825) 122.075 (122.825) 122.875 131.175	122.275 (122.825) 122.075 (122.825) 122.875 131.175	122.275 (122.825) 122.075 (122.825) 122.875 131.175	118.0 121.9	119.1 121.65	118.7 118.35	118.7 118.35	128.8 127.575	128.8 127.575
DECL DIST	05	23	06L	24R	06R	24L	15L	33R	15R	33L	
TORA	11,120	11,120	9697	9697	9000	9000	11,050	11,050	9088	9088	
TODA	11,435	12,120	10,484	10,681	9984	9984	12,034	12,034	10,072	10,072	
ASDA	11,120	11,120	9697	9697	9000	9000	11,050	11,050	9088	9088	
LDA	10,985	10,635	9697	9500	9000	9000	11,050	11,050	8500	8500	



Source of Canadian Civil Aeronautical Data : © 2010 NAV CANADA All rights reserved

AERODROME CHART

TORONTO ON  
TORONTO/LESTER B. PEARSON INTL

EFF 22 OCT 09 CHANGE: Thld elev



TORONTO/LESTER B. PEARSON INTL  
TORONTO ON

**AERODROME CHART (HIGH INTENSITY RUNWAY OPERATIONS - HIRO)**

LDA For High Intensity Runway Operations			
From threshold runway:	To exit point	LDA in ft	Preferred exit for med/heavy jet transport
05	15R F P H3 15L B	5030 5630 6570 6670 8536 9278	H3
06L	C1 C3	4790 6797	C3
06R	D1 D3 D5	4424 5682 7483	D3 D5
15L	B4 R S B1 B3	4050 5118 6154 6500 8250	B1 B3
15R	M1	6276	M1
23	H3 P F 15R H2 H4 J2	3628 3717 4650 5265 5377 6794 7778	H2 H4
24L	D2 D4 D6	4061 5682 7883	D4 D6
24R	C2 C4	5090 6984	C2 C4
33L	F2 F4 H 05	4860 6060 6680 7424	F2 F4
33R	B3 B1 S / B2 R B4 H 23	2805 4550 4895 5920 6994 9160 9900	B2 B4

Source of Canadian Civil Aeronautical Data : © 2010 NAV CANADA All rights reserved

TORONTO ON  
TORONTO/LESTER B. PEARSON INTL

**AERODROME CHART (HIGH INTENSITY RUNWAY OPERATIONS - HIRO)**

EFF 14 FEB 08      CHANGE: Chart title

TORONTO/LESTER B. PEARSON INTL  
TORONTO ON

**AERODROME CHART (REDUCED TAKE-OFF DISTANCES)**

WHEN AUTHORIZED BY ATC, INTERSECTION DEPARTURES ARE AVAILABLE AS FOLLOWS:

RUNWAY	INTERSECTION	RUNWAY REMAINING
05	J2	8465
	H4	7474
	H6	10857
06L	D4	7763
	C4	7182
06R	D6	7883
	D4	5682
15L	H	9160
	G/N	7930
	B4	7005
15R	H	7270
	F4	6633
23	H/J	10591
	B	9403
24L	D5	7483
24R	D5	8081
	C3	6801
33L	M1	6864
33R	V	10669
	T	9219
	B3	8251

DEPARTURES FROM HOLDING BAY INNER CENTERLINES RWY 06L, 24R AND 05/H6  
SUBTRACT 263' FROM DECLARED DISTANCES.

Source of Canadian Civil Aeronautical Data : © 2010 NAV CANADA All rights reserved

TORONTO ON  
TORONTO/LESTER B. PEARSON INTL

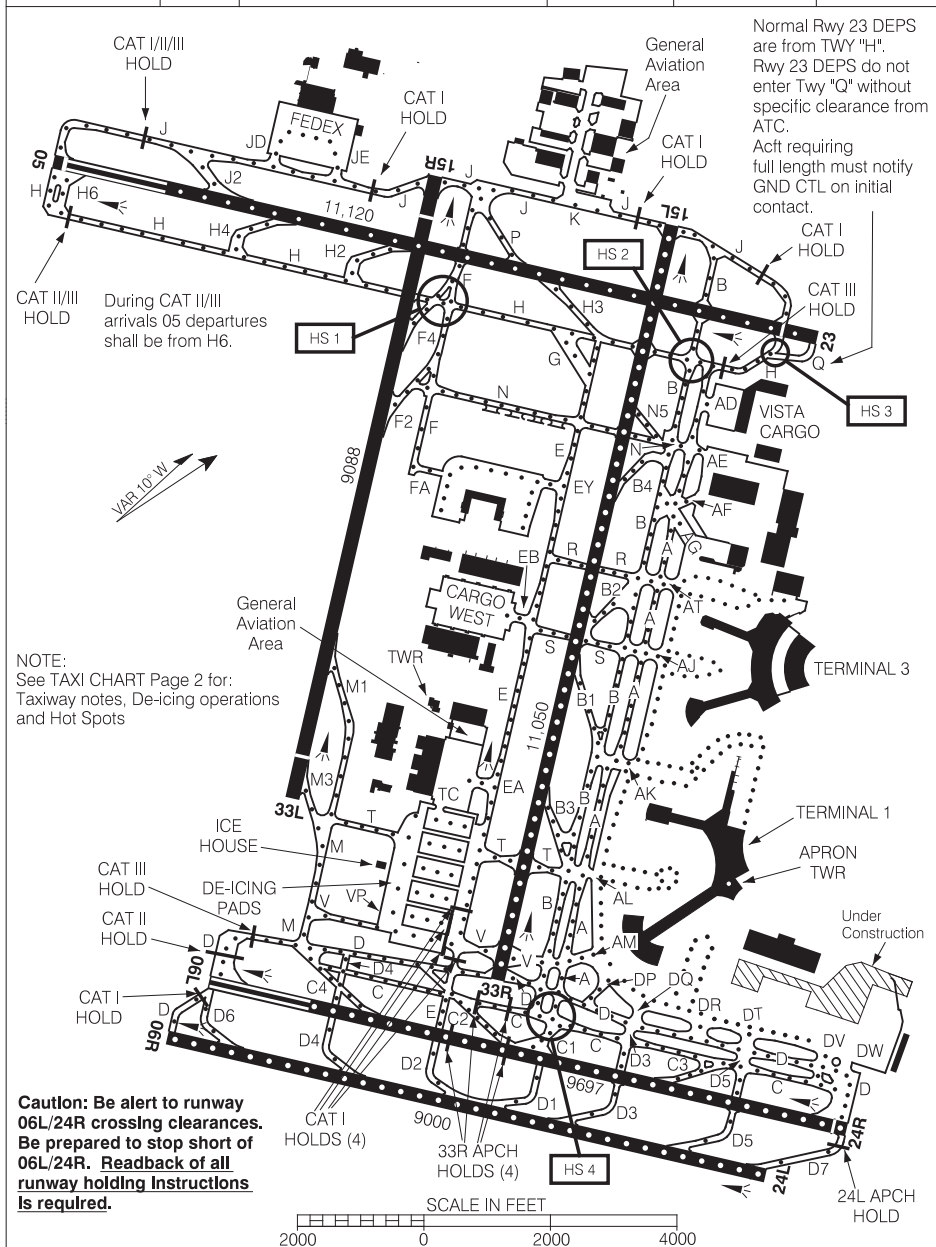
**AERODROME CHART (REDUCED TAKE-OFF DISTANCES)**

EFF 15 MAR 07    CHANGE: Rwy 05

TORONTO/LESTER B. PEARSON INTL  
TORONTO ON

TAXI CHART (Page 1)

ATIS 120.825	CLNC DEL 121.3	APRON ADVSY NORTH APRON 122.275 (122.825) SOUTH APRON 122.075 (122.825) TML 3 122.875 PAD CONTROL 131.175	GND 118.0 119.1 121.9 121.65	TORONTO TWR 118.7 118.35	DEP 128.8 127.575
-----------------	----------------------	---	------------------------------------	-----------------------------	----------------------



TAXI CHART (Page 1)

TORONTO/LESTER B. PEARSON INTL  
TORONTO ON

EFF 27 AUG 09 CHANGE: COMM, note

Source of Canadian Civil Aeronautical Data : © 2010 NAV CANADA All rights reserved

**NOTES**

Twy "K" is uncontrolled and is restricted to aircraft with wingspans of 41.15m/135ft (B757W) or less and an Aircraft Load Rating of 9.0 or less. Other aircraft may be authorized with prior approval from operator (416) 776-3030.

Discretionary oversteering required for aircraft with wingspans 38m/124ft (B757) or greater:  
- Rwy 06L onto "E", "D3" and "D5".  
- Rwy 24R onto "D3", "E" and "D4".

A340-500/600, B777-300, and A380 discretionary oversteering required at all intersections.

DW restricted to aircraft with wingspans 35.9m /118' or less.

**DURING DE-ICING OPERATIONS**

1. Notify Apron Advisory prior to pushback when de-icing is required.
2. On Twys T, V and E, hold short of de-icing and when directed by ground control monitor Pad Control on 131.175. Follow Pad Control taxi instructions to the entrance to the de-icing pad.
3. When directed by Pad Control contact ICEMAN on the assigned frequency (129.625 or 131.375).
4. Follow instruction and guidance lights to staging and de-icing bays.
5. After de-icing, do not move a/c. Contact Pad Control on 131.175 when instructed by ICEMAN to obtain taxi instruction.
6. Follow Pad Control instruction to designated exit points.  
When instructed by Pad Control contact ground control on the assigned frequency.

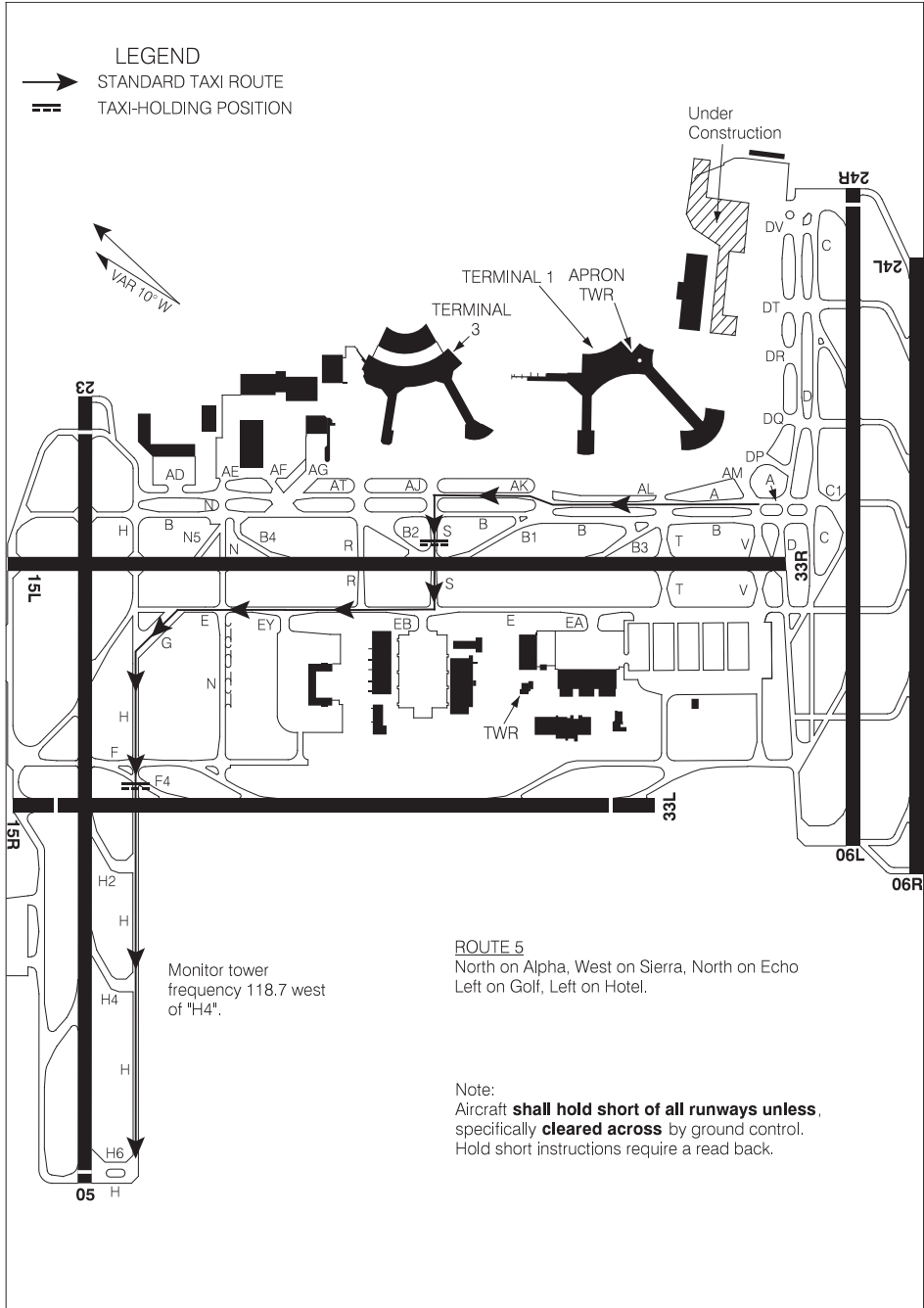
**HOT SPOTS**

- HS 1 - Exiting Rwy 33L onto Twy F4 aircraft miss turn onto Twy H and incur on Rwy 05/23.  
HS 2 - Taxiing northbound on Twy B aircraft miss turn onto Twy H and incur on Rwy 05/23.  
HS 3 - Taxiing eastbound on Twy H aircraft continue onto Twy Q and incur on Rwy 23.  
HS 4 - Taxiing southbound on Twy A aircraft miss turn onto Twy C and incur on Rwy 06L/24R.

Source of Canadian Civil Aeronautical Data : © 2010 NAV CANADA All rights reserved

STANDARD TAXI ROUTE CHART  
**ROUTE 5**

TORONTO/LESTER B. PEARSON INTL  
 TORONTO ON



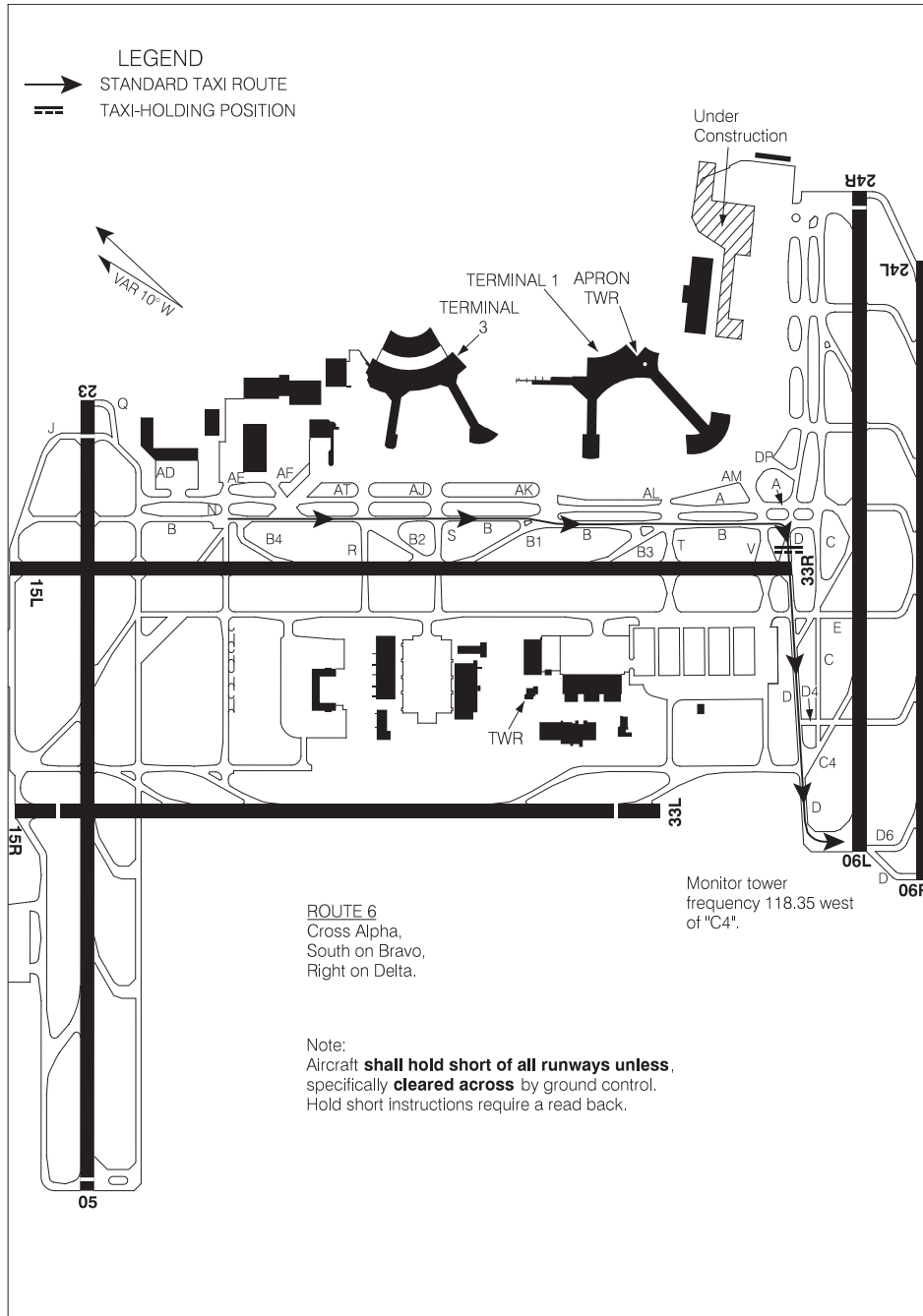
Source of Canadian Civil Aeronautical Data : © 2010 NAV CANADA All rights reserved

STANDARD TAXI ROUTE CHART  
**ROUTE 5**  
 EFF 15 JAN 09 CHANGE: TWY designator added

TORONTO ON  
 TORONTO/LESTER B. PEARSON INTL

STANDARD TAXI ROUTE CHART  
**ROUTE 6**

TORONTO/LESTER B. PEARSON INTL  
 TORONTO ON



Source of Canadian Civil Aeronautical Data : © 2010 NAV CANADA All rights reserved

STANDARD TAXI ROUTE CHART  
**ROUTE 6**

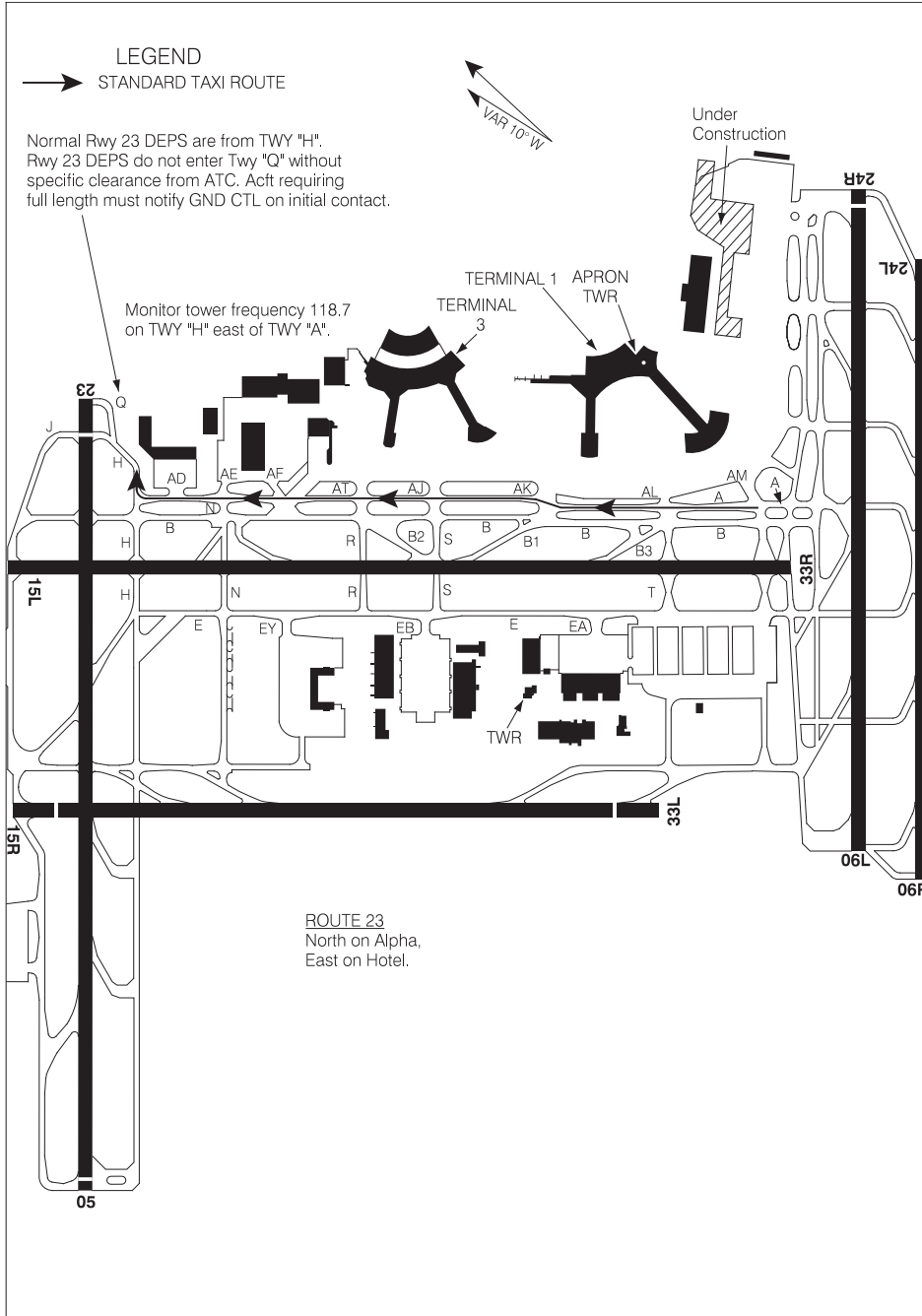
EFF 15 JAN 09

CHANGE: TWY designator added

TORONTO ON  
 TORONTO/LESTER B. PEARSON INTL

**STANDARD TAXI ROUTE CHART**  
**ROUTE 23**

TORONTO/LESTER B. PEARSON INTL  
 TORONTO ON



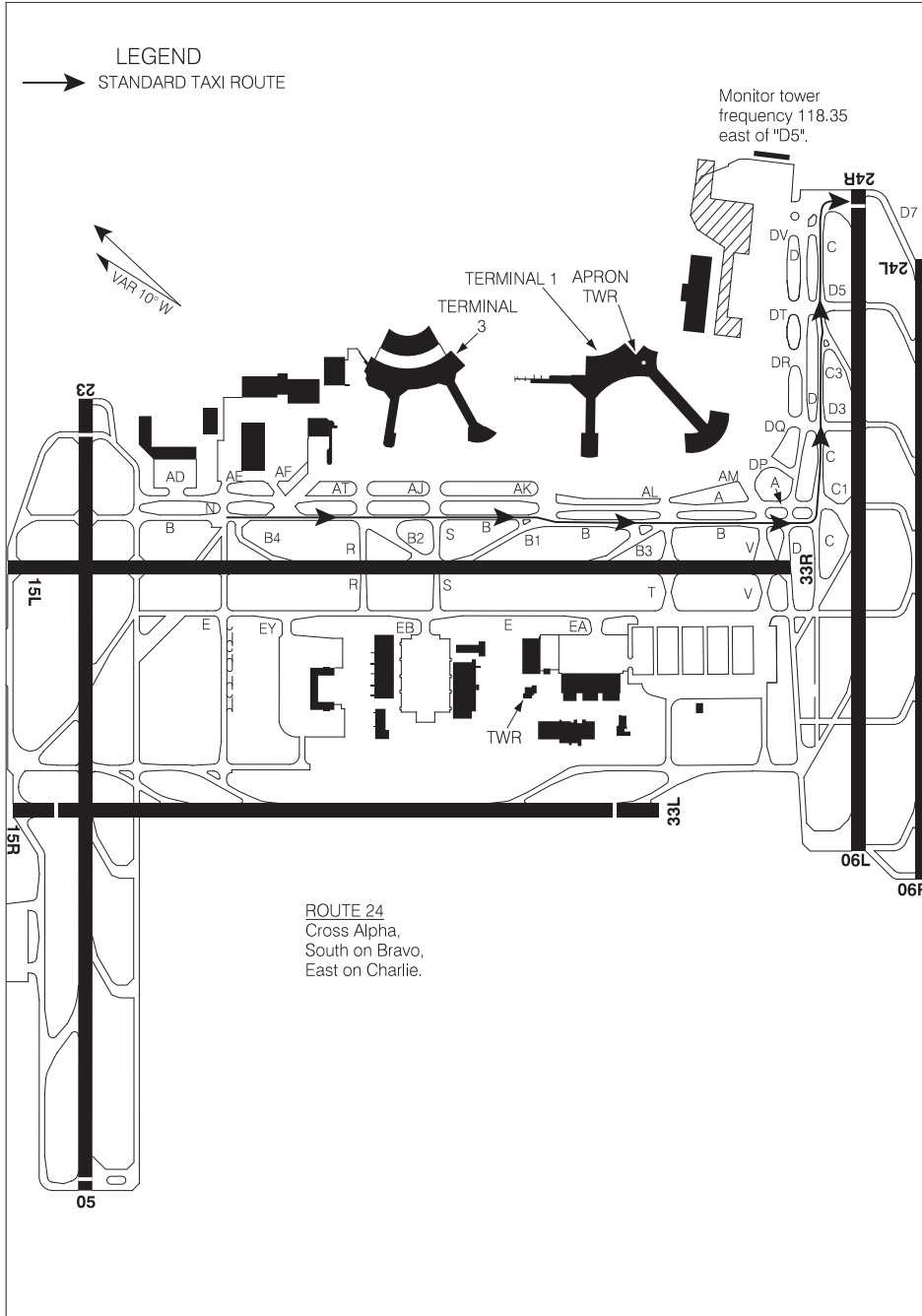
Source of Canadian Civil Aeronautical Data : © 2010 NAV CANADA All rights reserved

STANDARD TAXI ROUTE CHART  
**ROUTE 23**  
 EFF 27 AUG 09 CHANGE: Note

TORONTO ON  
 TORONTO/LESTER B. PEARSON INTL

STANDARD TAXI ROUTE CHART  
**ROUTE 24**

TORONTO/LESTER B. PEARSON INTL  
 TORONTO ON



Source of Canadian Civil Aeronautical Data : © 2010 NAV CANADA All rights reserved

STANDARD TAXI ROUTE CHART  
**ROUTE 24**  
 EFF 20 NOV 08

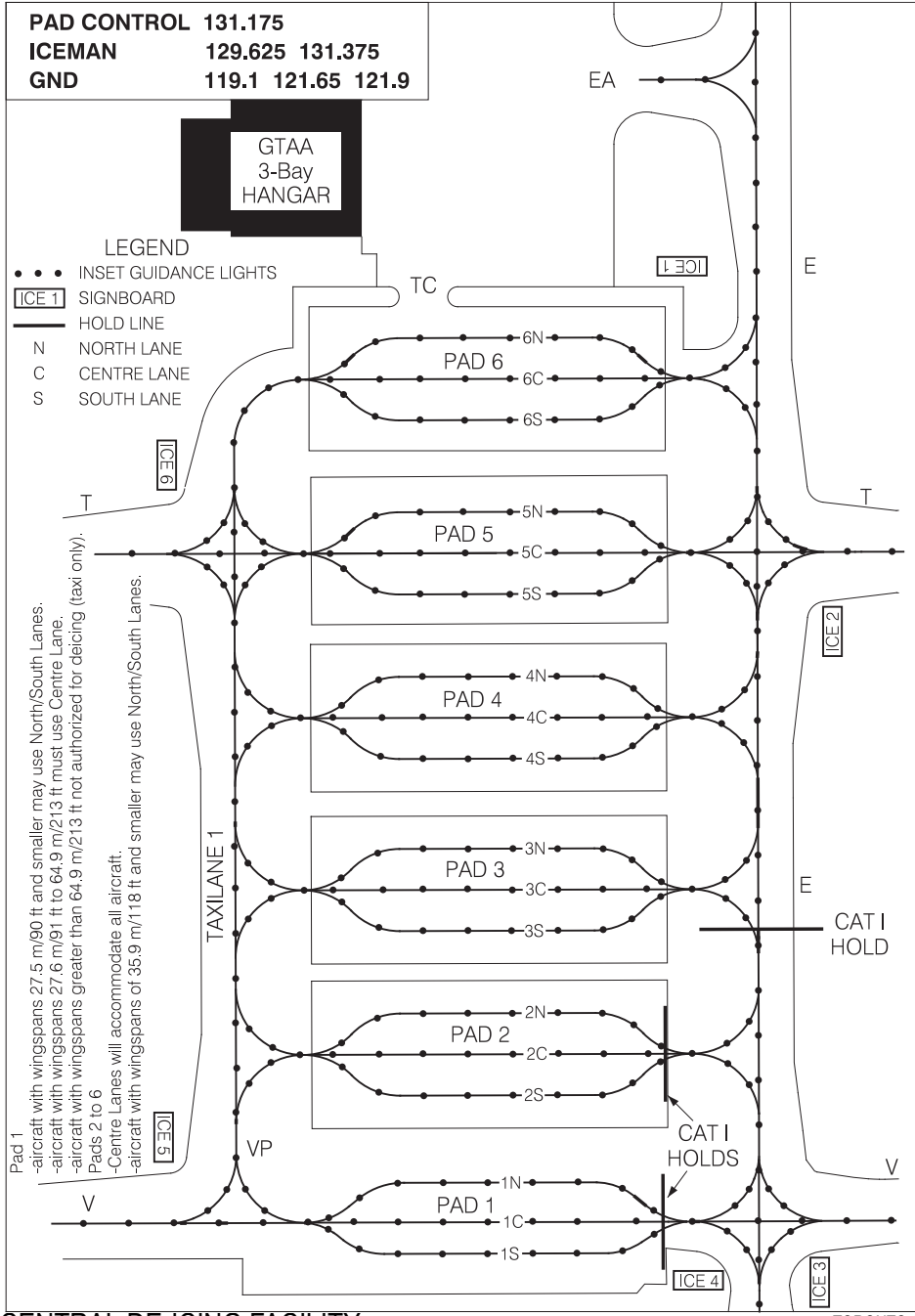
CHANGE: Construction area Twy DT

TORONTO ON  
 TORONTO/LESTER B. PEARSON INTL



# CENTRAL DE-ICING FACILITY

TORONTO/LESTER B. PEARSON INTL  
TORONTO ON



<b>PAD CONTROL</b>	<b>131.175</b>
<b>ICEMAN</b>	<b>129.625 131.375</b>
<b>GND</b>	<b>119.1 121.65 121.9</b>

**GTAA  
3-Bay  
HANGAR**

- LEGEND**
- INSET GUIDANCE LIGHTS
  - ICE 1 SIGNBOARD
  - HOLD LINE
  - N NORTH LANE
  - C CENTRE LANE
  - S SOUTH LANE

Pad 1  
-aircraft with wingspans 27.5 m/90 ft and smaller may use North/South Lanes.  
-aircraft with wingspans 27.6 m/91 ft to 64.9 m/213 ft must use Centre Lane.  
-aircraft with wingspans greater than 64.9 m/213 ft not authorized for deicing (taxi only).  
Pads 2 to 6  
-Centre Lanes will accommodate all aircraft.  
-aircraft with wingspans of 35.9 m/118 ft and smaller may use North/South Lanes.

# CENTRAL DE-ICING FACILITY

TORONTO ON  
TORONTO/LESTER B. PEARSON INTL

EFF 2 JUL 09 CHANGE: Editorial

Source of Canadian Civil Aeronautical Data : © 2010 NAV CANADA All rights reserved

## LOW VISIBILITY PROCEDURES

TORONTO/LESTER B. PEARSON INTL  
TORONTO ON

### LOW VISIBILITY PROCEDURES (RVR less than 1200 TO 600 FT)

#### APPLICATION

These procedures apply to ground movements of aircraft arriving and departing under low visibility conditions. Arrivals and departures below RVR 600 are not authorized. When weather conditions indicate visibility below RVR 1200 is imminent, procedures will be implemented restricting aircraft and vehicle operations on the movement area. The following message will be added to the ATIS broadcast:

**"LOW VISIBILITY PROCEDURES IN EFFECT"**

#### GENERAL

##### Low Visibility Taxi Routes

Typical taxi routes are shown on the Low Visibility Taxi Charts. Taxiway surfaces are painted with enhanced yellow and black centerline markings. In addition, taxiways A, C, F, H, J, M, N, T, P, R, S, V, E, D, B, T1, and T3 aprons are equipped with green centreline lights. Yellow in-set taxiway intersection lights that consist of three lights spaced 1.5 meters apart at 90 degrees to the direction of travel are located at taxiway/taxiway intersections and apron entry/exit points coincident with lighted location signs. Taxi position fixes are also located at specific spots on the aprons coincident with taxiway intersection markings. Aircraft may be directed to hold or report by any of these positions.

##### Airport Surface Detection Equipment (ASDE)

Ground radar is used to monitor the position of aircraft operating on the manoeuvring area. In the event of an ASDE failure, ATC may suspend, restrict or terminate low visibility operations.

#### DEPARTURES

When low visibility procedures are in effect the Departure runways are 05, 06L and 33R. Intersection take-offs from 06L are not authorized. Intersection take-offs on 33R from Victor Taxiway and on 05 from H6 may be assigned by ATC.

##### Sequencing of Aircraft Ground Movements for Take-off

Do not request start, push back or call for taxi clearance until the reported RVR is greater than:

Aircraft/Pilot Take-off Minima	Minimum RVR for Start
1200 RVR	1000 RVR
600 RVR	600 RVR

##### Stop Bar/Guard Light system

Each taxiway entrance onto runways 05, 06L and 33R is equipped with a stop bar consisting of red in-set lights and red elevated lights located at the taxi holding position. Yellow flashing runway guard lights (wig-wags) are installed at each end of the stop bar. When the red stop bar lights are illuminated, green lead on lights beyond the stop bar are extinguished. When ATC issues a clearance to proceed onto the runway, the red stop bar lights will be extinguished and the green lead on lights beyond the stop bar will be illuminated. The stop bar is reset automatically as the aircraft moves onto the runway.

**"AT NO TIME SHALL A PILOT CROSS AN ILLUMINATED RED STOP BAR"**

#### ARRIVALS

When low visibility procedures are in effect the Arrival runways are 05 and 06L. For 05, approved exits are Taxiways H3, B, H/J and Q. For 06L Approved exits are Taxiways C3 and D. Aircraft exiting either runway must proceed beyond the alternating green and yellow centreline lights to ensure the aircraft is clear of the runway and the ILS sensitive area.

## LOW VISIBILITY PROCEDURES

TORONTO ON  
TORONTO/LESTER B. PEARSON INTL

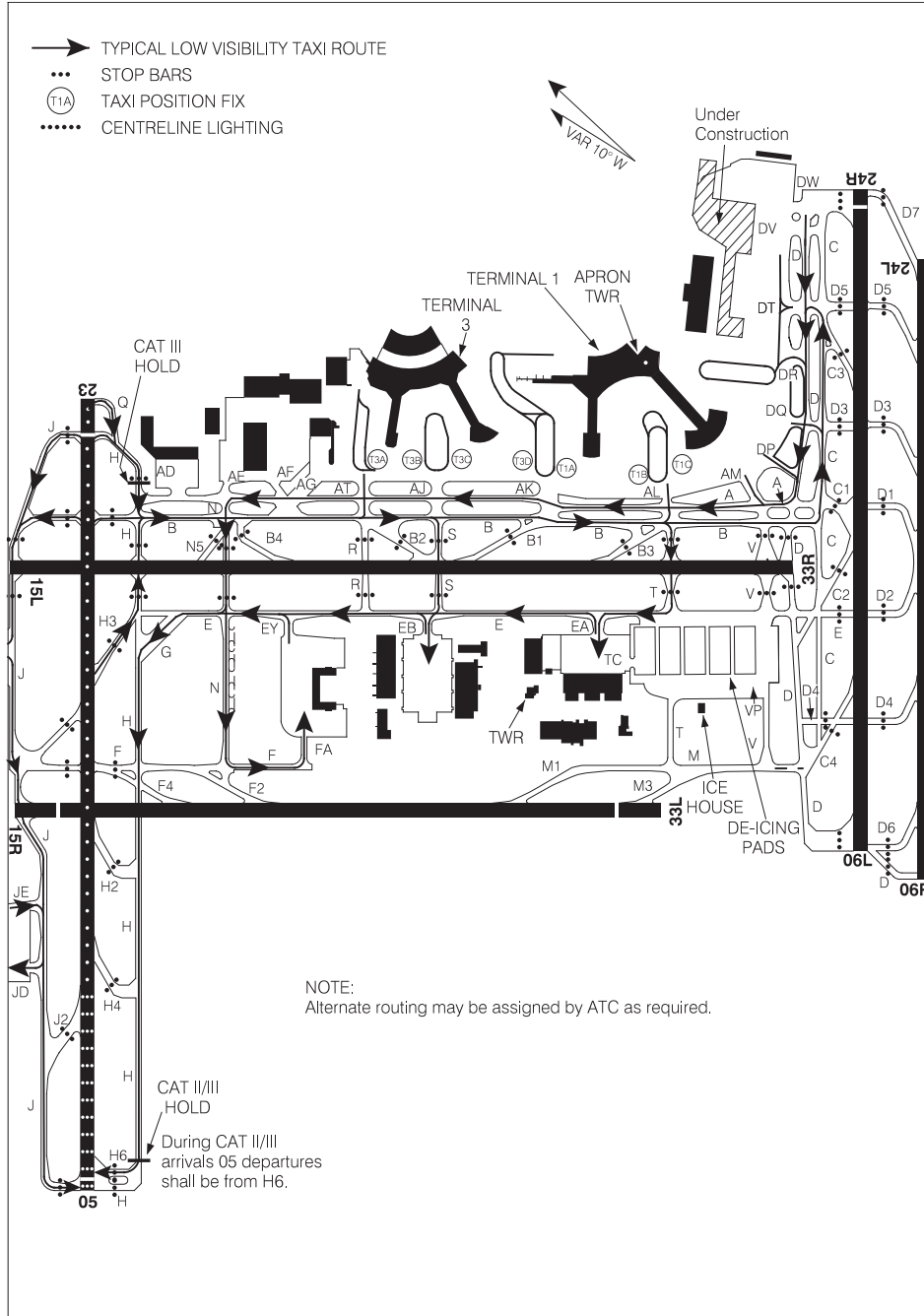
EFF 30 AUG 07

CHANGE: General and Departures notes

Source of Canadian Civil Aeronautical Data : © 2010 NAV CANADA All rights reserved

LOW VISIBILITY TAXI CHART (RVR LESS THAN 1200 TO 600 FT)  
**LAND RWY 05, DEPART RWY 05**

TORONTO ON  
 TORONTO/LESTER B. PEARSON INTL  
 TORONTO ON

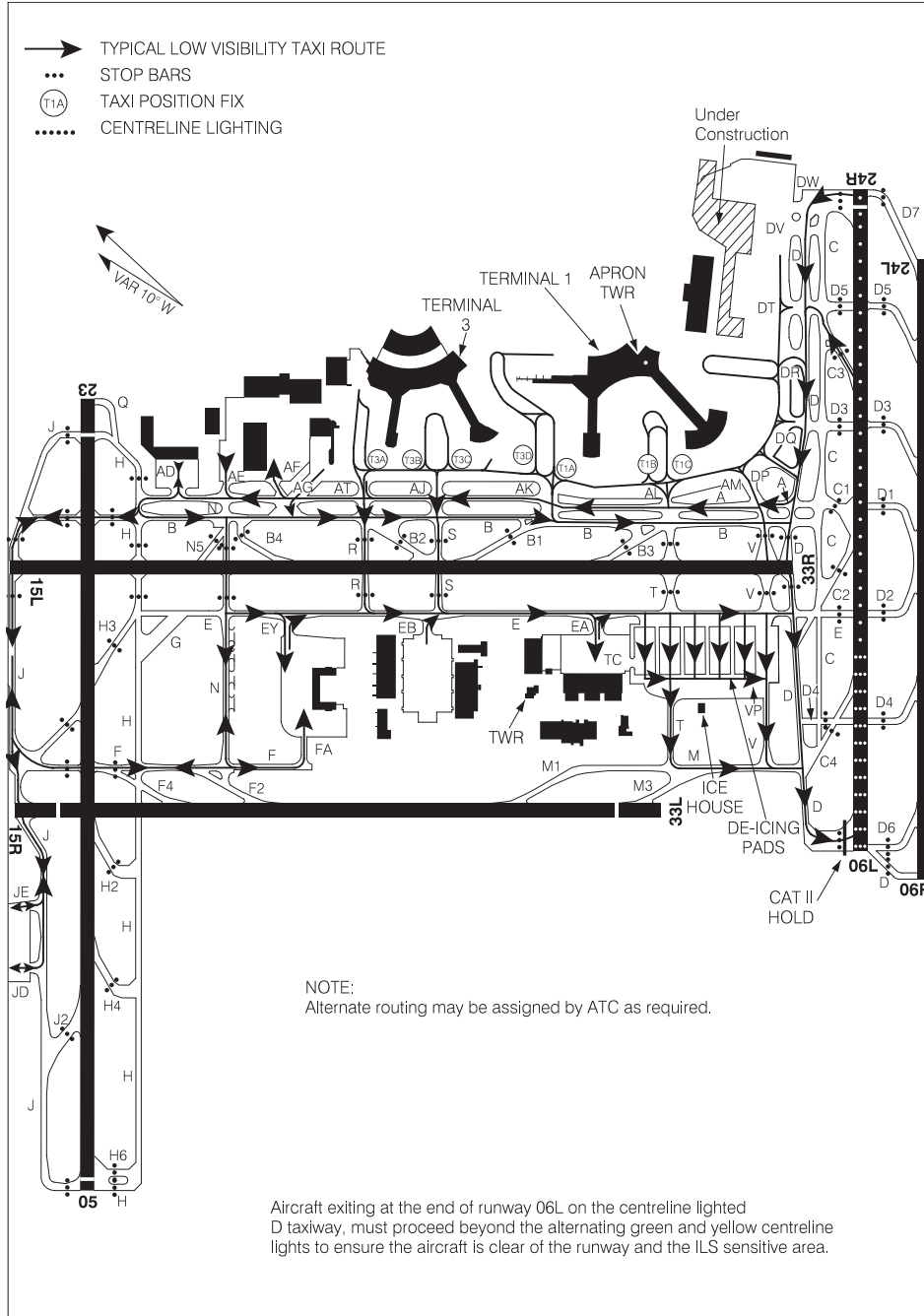


LOW VISIBILITY TAXI CHART (RVR LESS THAN 1200 TO 600 FT)  
**LAND RWY 05, DEPART RWY 05**  
 EFF 11 FEB 10 CHANGE: Taxilanes

TORONTO ON  
 TORONTO/LESTER B. PEARSON INTL

LOW VISIBILITY TAXI CHART (RVR LESS THAN 1200 TO 600 FT)  
**LAND RWY 06L, DEPART RWY 06L**

TORONTO/LESTER B. PEARSON INTL  
 TORONTO ON



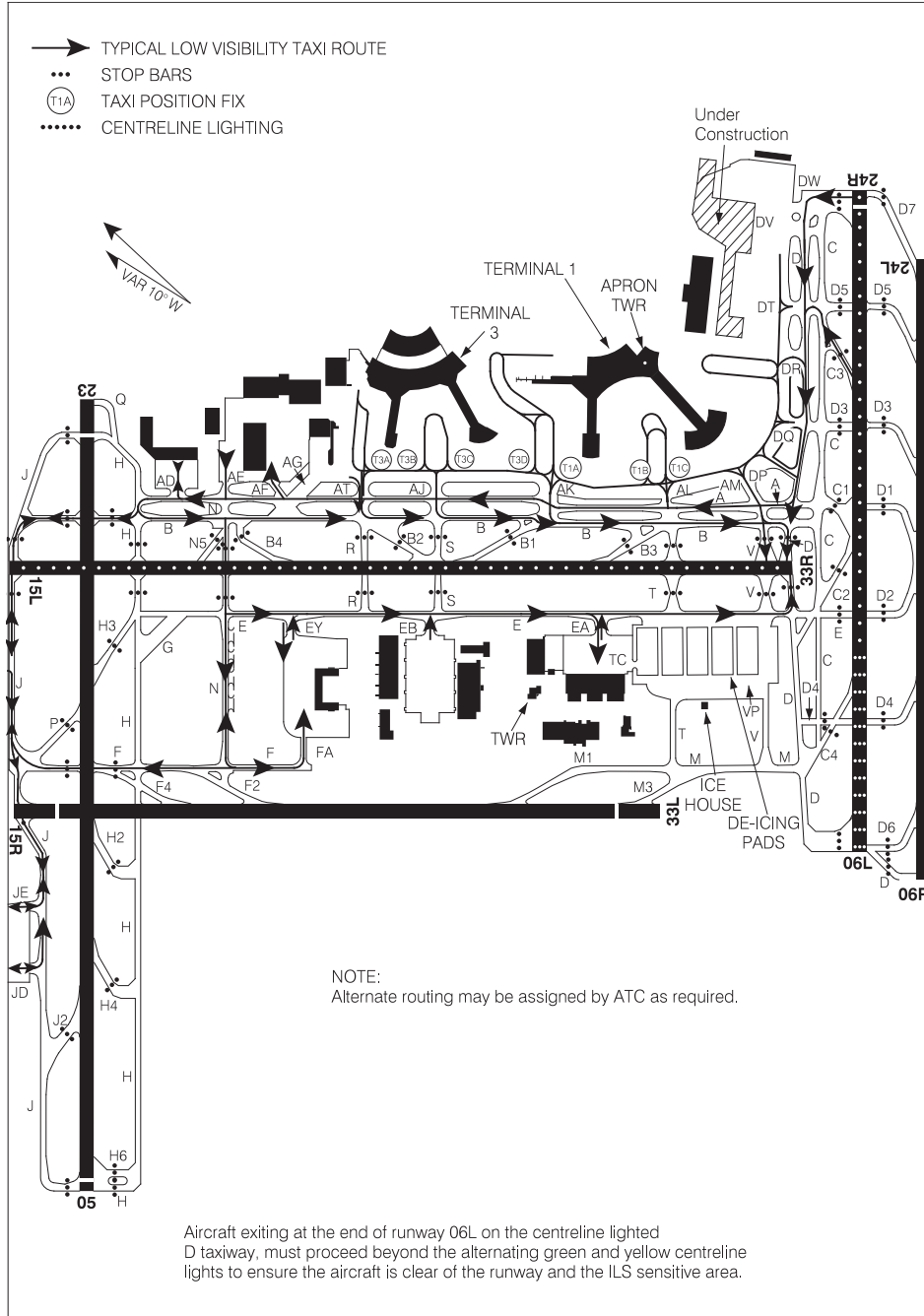
Source of Canadian Civil Aeronautical Data : © 2010 NAV CANADA All rights reserved

LOW VISIBILITY TAXI CHART (RVR LESS THAN 1200 TO 600 FT)  
**LAND RWY 06L, DEPART RWY 06L**  
 EFF 15 JAN 09 CHANGE: Taxilanes

TORONTO ON  
 TORONTO/LESTER B. PEARSON INTL

LOW VISIBILITY TAXI CHART (RVR LESS THAN 1200 TO 600 FT)  
**LAND RWY 06L, DEPART RWY 33R**

TORONTO/LESTER B. PEARSON INTL  
 TORONTO ON



Source of Canadian Civil Aeronautical Data : © 2010 NAV CANADA All rights reserved

LOW VISIBILITY TAXI CHART (RVR LESS THAN 1200 TO 600 FT)  
**LAND RWY 06L, DEPART RWY 33R**  
 EFF 15 JAN 09 CHANGE: Taxilanes

TORONTO ON  
 TORONTO/LESTER B. PEARSON INTL

**PARKING AREAS (TERMINAL 1)**

**ATIS 120.825**  
**CLNC DEL 121.3**  
**NORTH APRON 122.275 (122.825)**  
**SOUTH APRON 122.075 (122.825)**

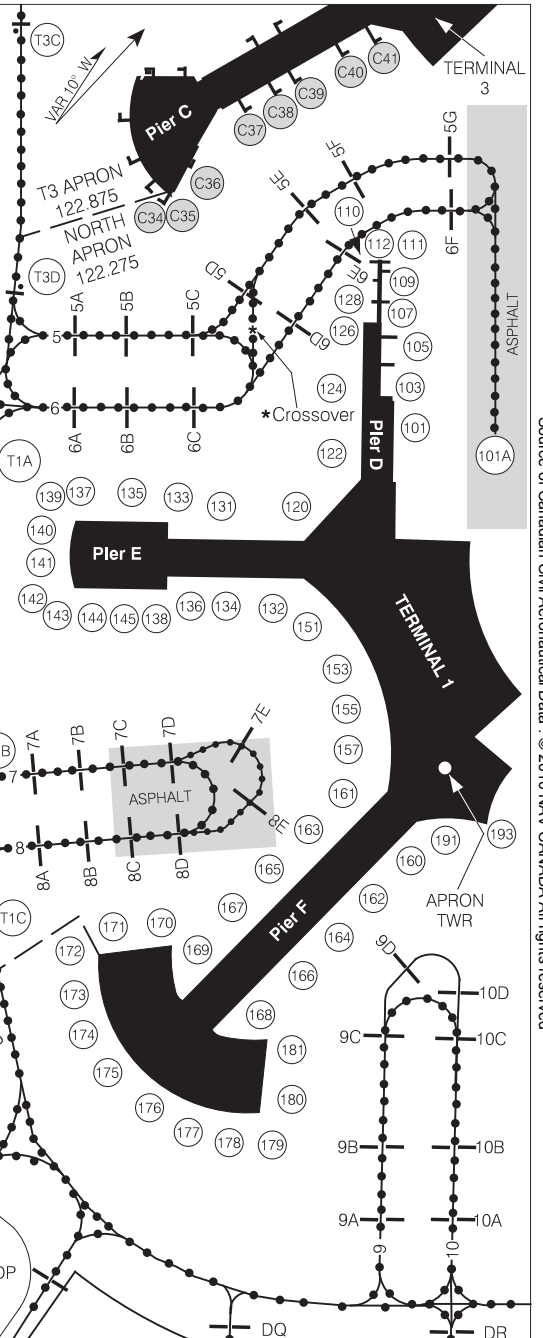
Asphalt apron surface east of positions 5G and 6F to 101A used to act with wingspans 28.4m/93 (DH8-400) or less and an aircraft load rating of 8.0 or less.

**LEGEND**  
 (39) ... Aircraft parking positions  
 AK ... Apron Entry/Exit Points  
 A ... Taxiways  
 ... Inset Guidance Lights  
 T3D ... Taxi Position Fix Markings  
 -|-| ... Taxiway  
 -|-| ... Taxihold point  
 ... Taxi Position Fix Markings

Taxi lane	Taxilane Segment	Taxilane Limitations	Max. Wingspan
5	Between AK & 5E		64.9m/213
5	Between 5E & 5G		51.9m/170
5	Between 5G & Gate 101		28.4m/93
6	Between AK & *Crossover		64.9m/213
5-6	*Crossover		64.9m/213
6	Between *Crossover & 6D		51.9m/170
6	Between 6D & 6F		35.9m/118
6	Between 6F & 101		28.4m/93
7-8	7D-7E-8E-8D		51.9m/170.5
9-10	9C-9D-10D-10C		35.9m/118

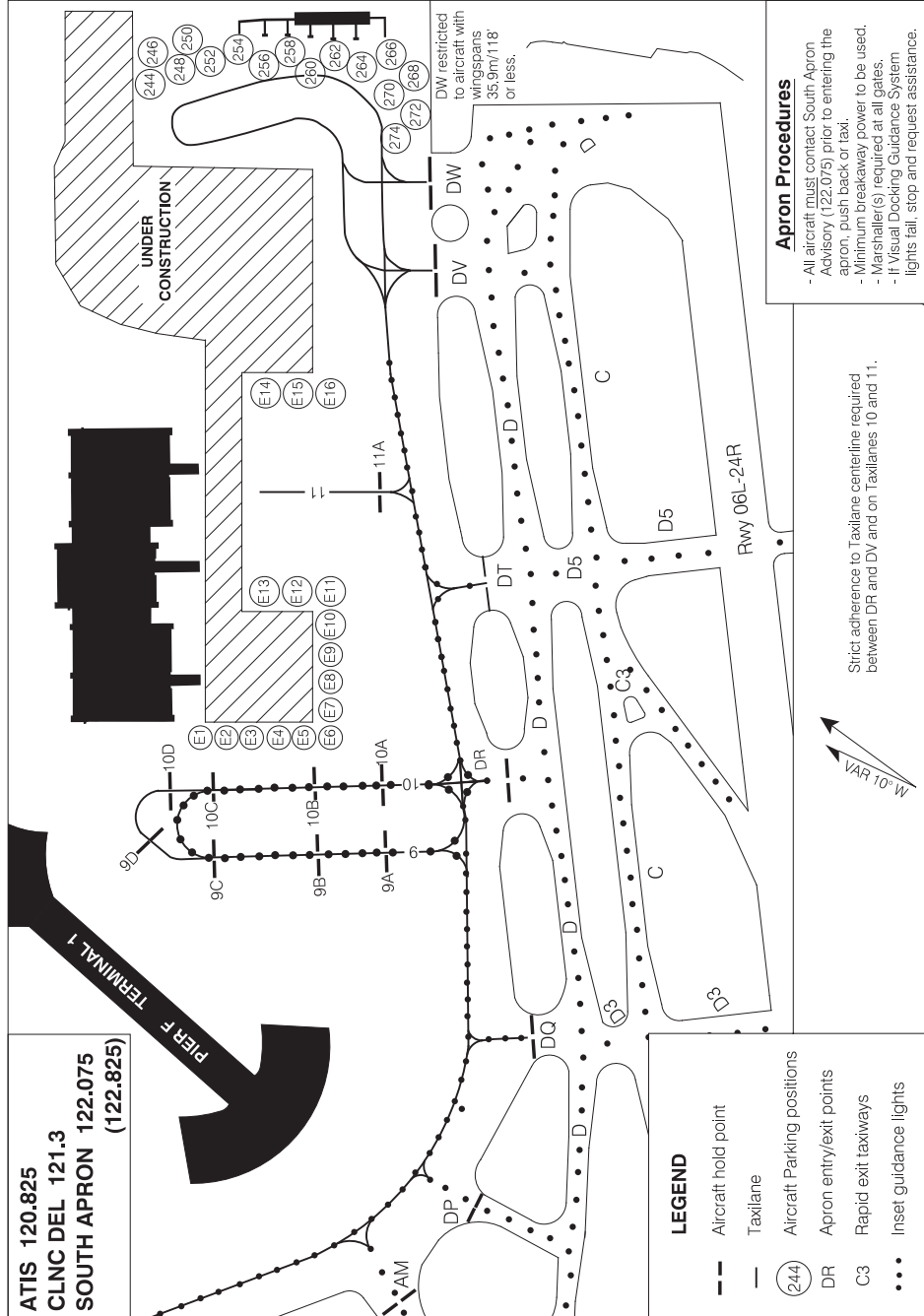
**Apron Procedures**  
 - All aircraft must contact the applicable Apron Advisory prior to entering apron, push back or taxi.  
 - Minimum breakaway power to be used.  
 - Marshaller(s) required at all gates.  
 - Gates 101A to 112 Limitation: DH8-100 requires use of (full tiller) minimum radius turns when exiting to maintain wing tip clearance.

**PARKING AREAS (TERMINAL 1)**



Source of Canadian Civil Aeronautical Data : © 2010 NAV CANADA All rights reserved

TORONTO/LESTER B. PEARSON INTL  
 PARKING AREAS (TERMINAL 1 EAST SATELLITE)  
 TORONTO ON



TORONTO ON  
 PARKING AREAS (TERMINAL 1 EAST SATELLITE)  
 TORONTO/LESTER B. PEARSON INTL

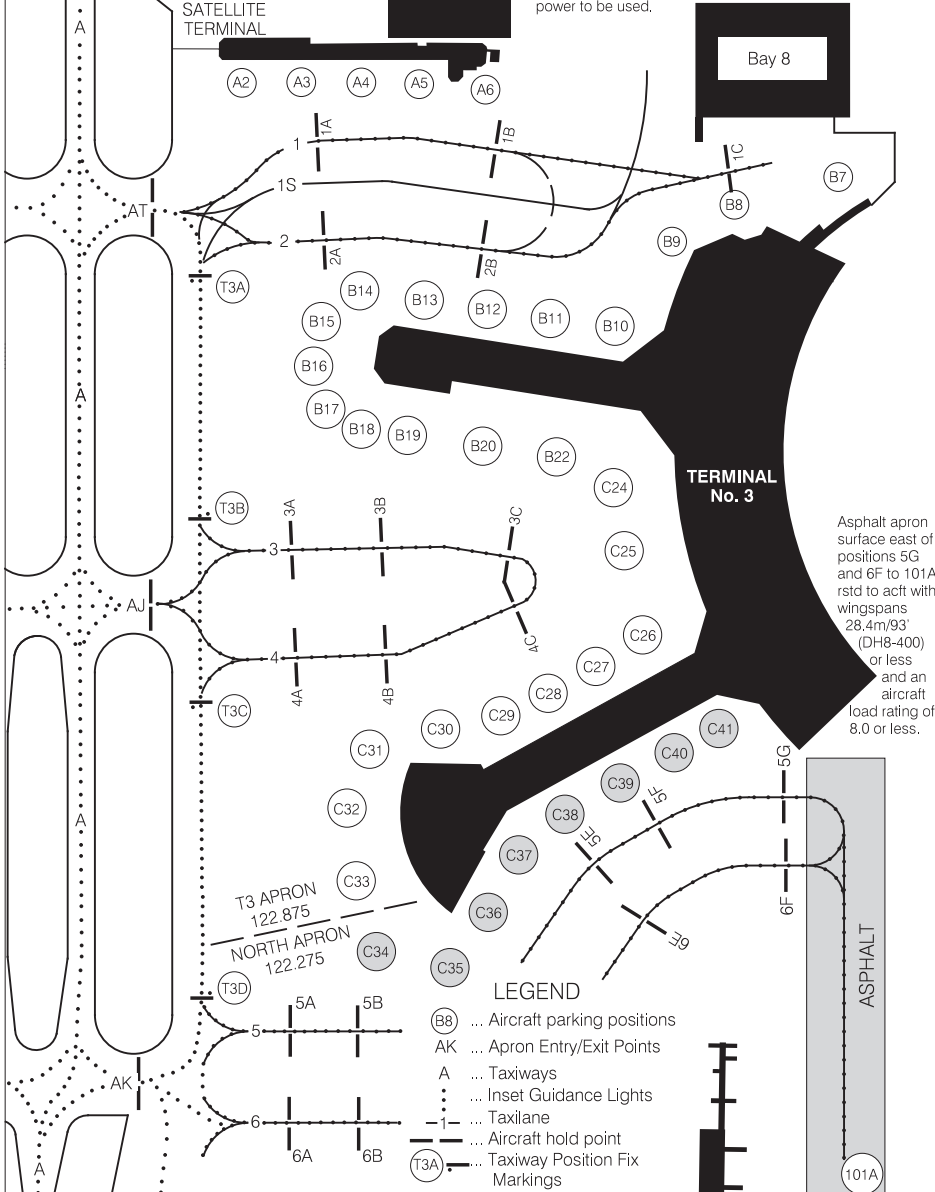
EFF 7 MAY 09 CHANGE: Centreline deleted

**PARKING AREAS (TERMINAL 3)**

**ATIS 120.825**  
**CLNC DEL 121.3**  
**T3 APRON 122.875**  
**(NORTH APRON 122.275**  
**C34 TO C41 ONLY)**

Apron Procedures

- All aircraft must contact the applicable Apron Advisory on the applicable frequency prior to entering apron, push back or taxi.
- Minimum breakaway power to be used.



Source of Canadian Civil Aeronautical Data : © 2010 NAV CANADA All rights reserved

**PARKING AREAS (TERMINAL 3)**

EFF 17 DEC 09 CHANGE: Aircraft hold point



**PARKING AREAS (INFIELD)**

**ATIS 120.825**  
**CLNC DEL 121.3**  
**NORTH APRON 122.275 (122.825)**  
**SOUTH APRON 122.075 (122.825)**

**Legend**

- (507) Parking Position
- EA Apron entry/exit points
- Inset guidance lights
- Aircraft Hold Point
- 4 Start Position

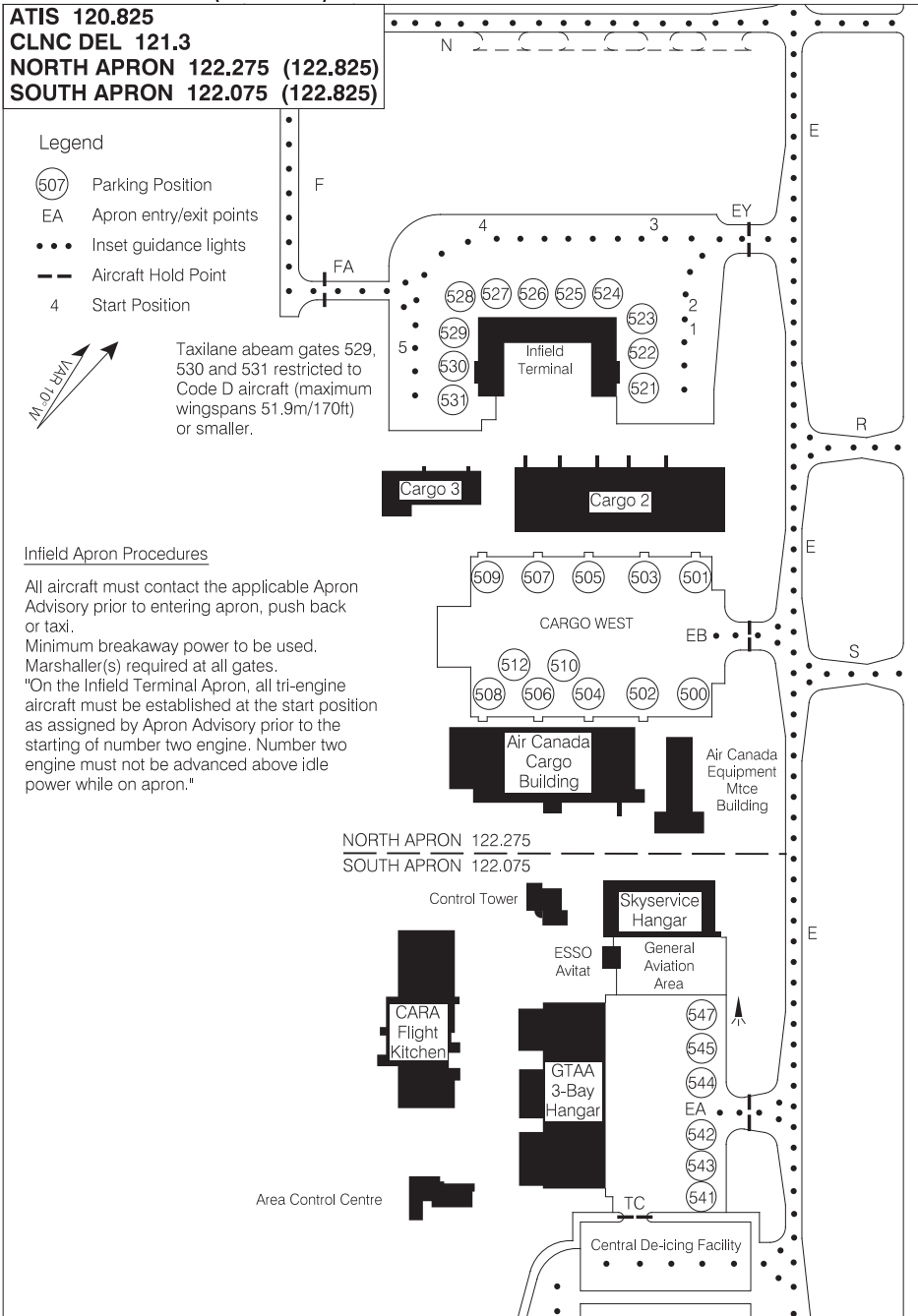


Taxilane abeam gates 529, 530 and 531 restricted to Code D aircraft (maximum wingspans 51.9m/170ft) or smaller.

Infield Apron Procedures

All aircraft must contact the applicable Apron Advisory prior to entering apron, push back or taxi.  
Minimum breakaway power to be used.  
Marshaller(s) required at all gates.  
\*On the Infield Terminal Apron, all tri-engine aircraft must be established at the start position as assigned by Apron Advisory prior to the starting of number two engine. Number two engine must not be advanced above idle power while on apron.\*

NORTH APRON 122.275  
SOUTH APRON 122.075

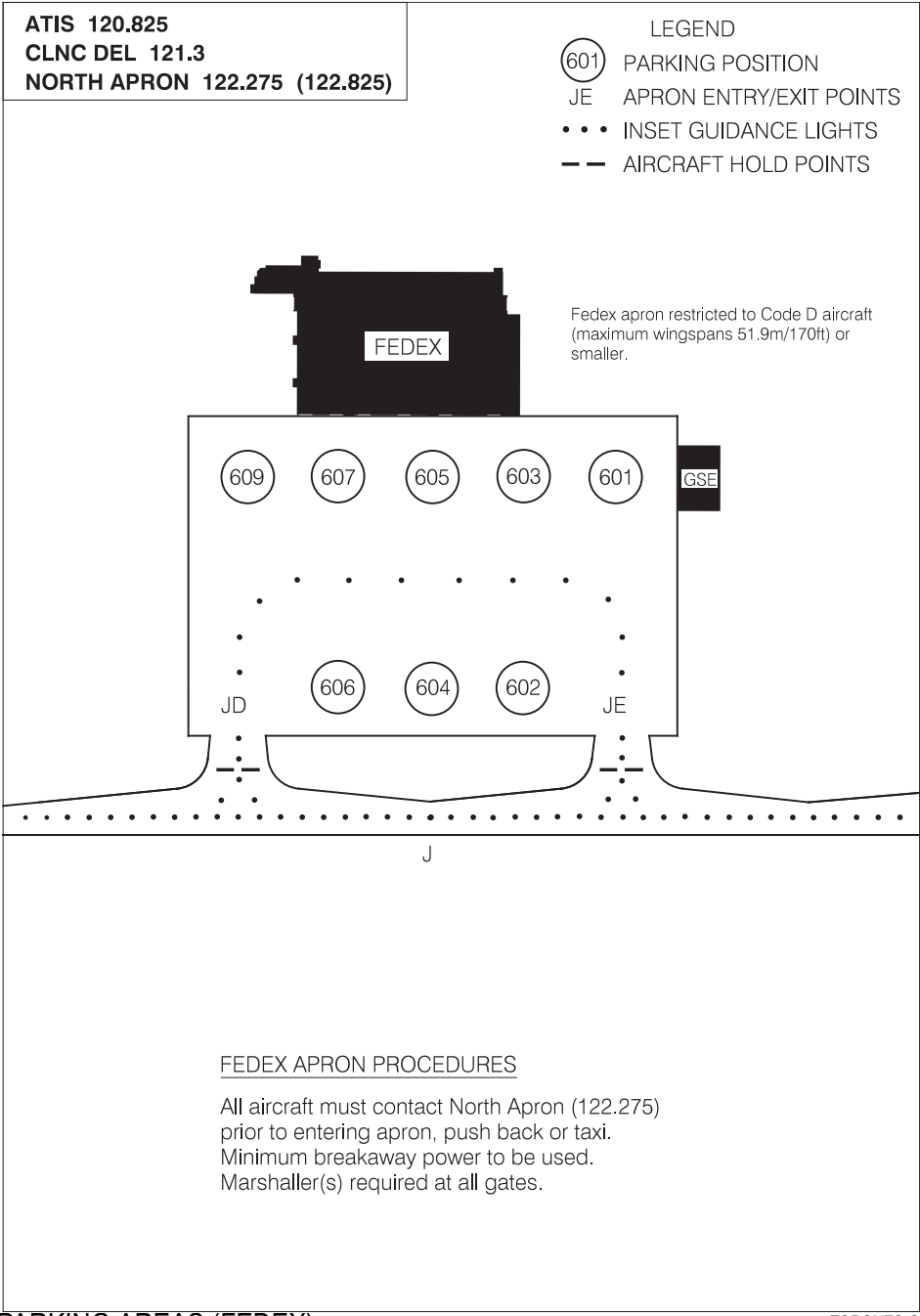


Source of Canadian Civil Aeronautical Data : © 2010 NAV CANADA All rights reserved

**PARKING AREAS (INFIELD)**

**PARKING AREAS (FEDEX)**

TORONTO/LESTER B. PEARSON INTL  
TORONTO ON



Source of Canadian Civil Aeronautical Data : © 2010 NAV CANADA All rights reserved

FEDEX APRON PROCEDURES

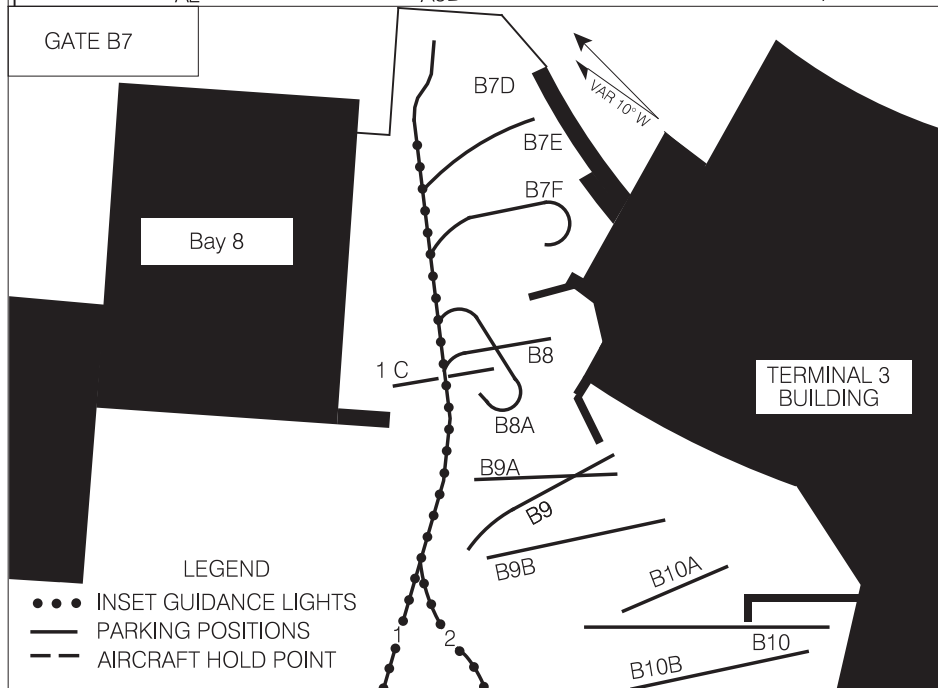
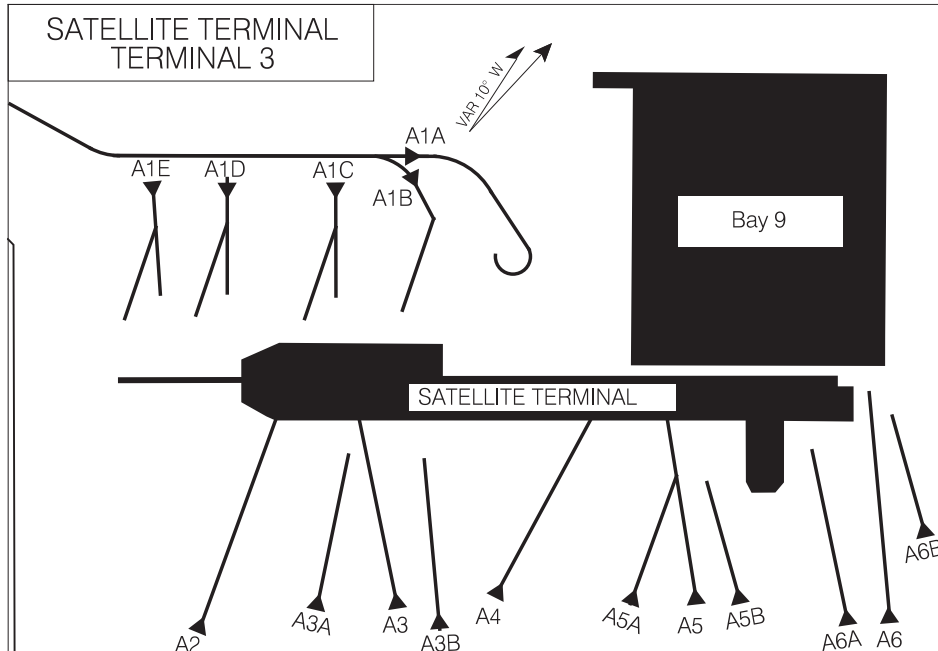
All aircraft must contact North Apron (122.275) prior to entering apron, push back or taxi. Minimum breakaway power to be used. Marshaller(s) required at all gates.

**PARKING AREAS (FEDEX)**

TORONTO ON  
TORONTO/LESTER B. PEARSON INTL

COMMUTER PARKING AREAS

TORONTO/LESTER B. PEARSON INTL  
TORONTO ON



- LEGEND
- INSET GUIDANCE LIGHTS
  - PARKING POSITIONS
  - - - AIRCRAFT HOLD POINT

COMMUTER PARKING AREAS

TORONTO ON  
TORONTO/LESTER B. PEARSON INTL

EFF 17 DEC 09 CHANGE: Aircraft hold point, variation arrow

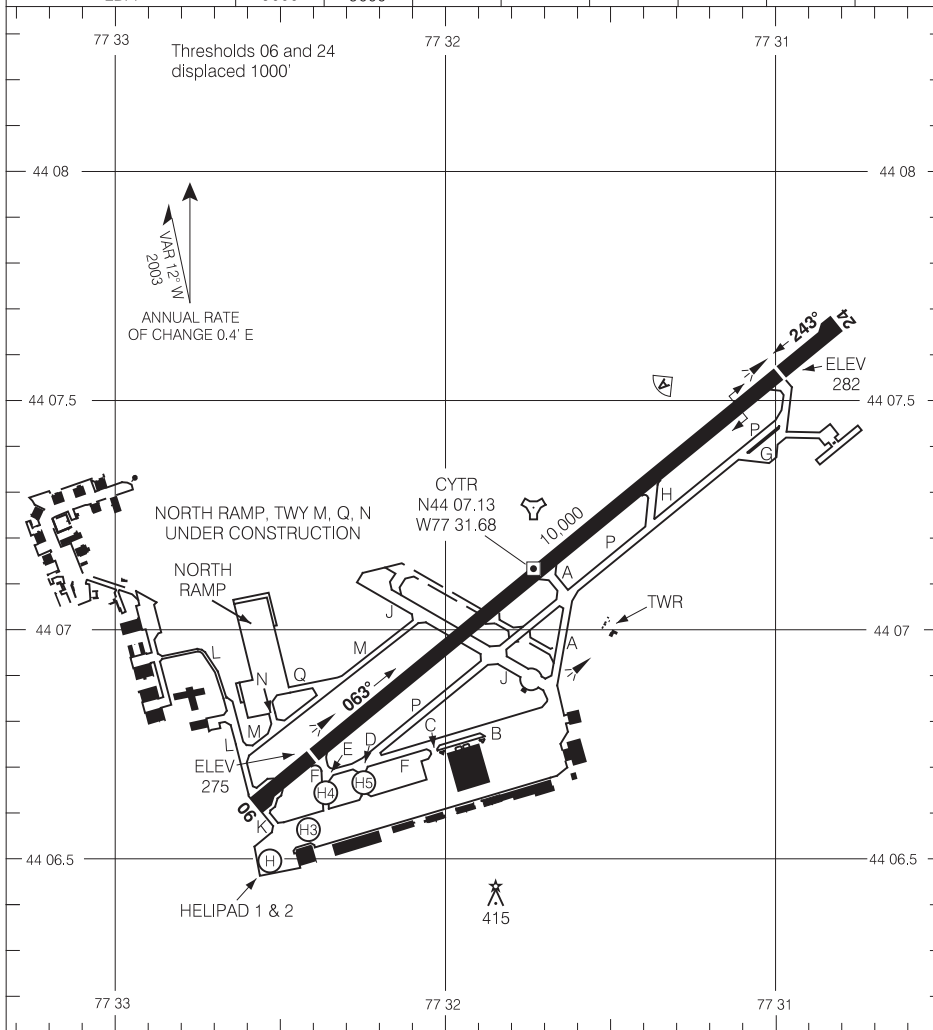
Source of Canadian Civil Aeronautical Data : © 2010 NAV CANADA All rights reserved

# AERODROME CHART (DND)

TRENTON  
TRENTON ON

<b>ATIS</b> 135.45 257.7	<b>CLNC DEL</b> 124.35 286.4	<b>GND</b> 121.9 275.8	<b>TWR</b> 128.7 236.6
--------------------------------	------------------------------------	------------------------------	------------------------------

DECLARED DISTANCES		06	24
TORA		10,000	10,000
TODA		10,607	10,804
ASDA		10,000	10,000
LDA		9000	9000



Source of Canadian Civil Aeronautical Data : © 2010 NAV CANADA All rights reserved

TAKE-OFF MINIMA	SCALE IN FEET
Rwys: 06, 24: ½	2000 1000 0 1000 2000

# AERODROME CHART (DND)

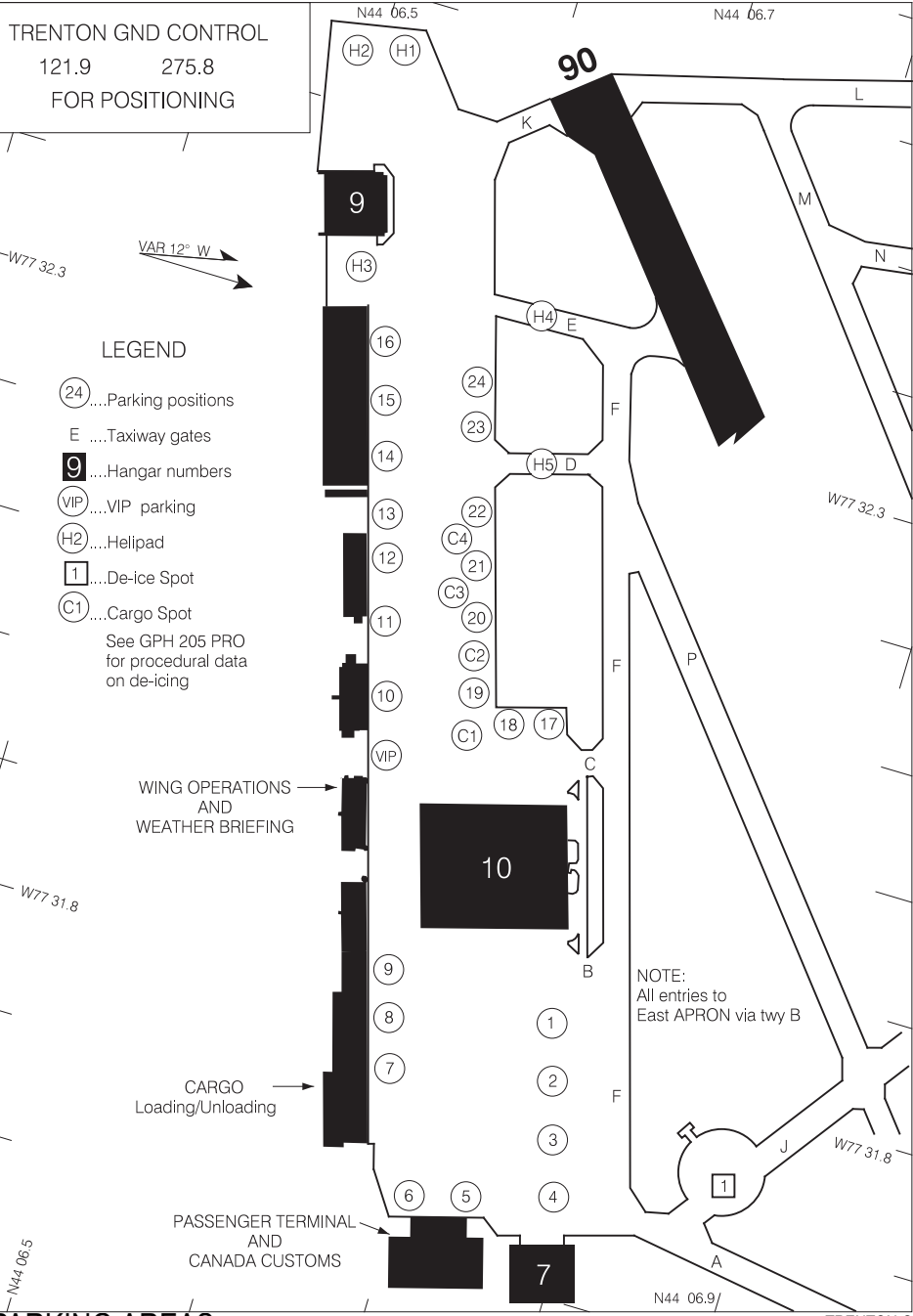
TRENTON ON  
TRENTON  
NAD83

EFF 11 FEB 10      CHANGE: Revised

# PARKING AREAS (DND)

TRENTON  
TRENTON ON

TRENTON GND CONTROL  
121.9 275.8  
FOR POSITIONING



## LEGEND

- (24) ...Parking positions
  - E ...Taxiway gates
  - 9 ...Hangar numbers
  - VIP ...VIP parking
  - (H2) ...Helipad
  - 1 ...De-ice Spot
  - (C1) ...Cargo Spot
- See GPH 205 PRO for procedural data on de-icing

WING OPERATIONS AND WEATHER BRIEFING

CARGO Loading/Unloading

PASSENGER TERMINAL AND CANADA CUSTOMS

NOTE:  
All entries to East APRON via twy B

# PARKING AREAS (DND)

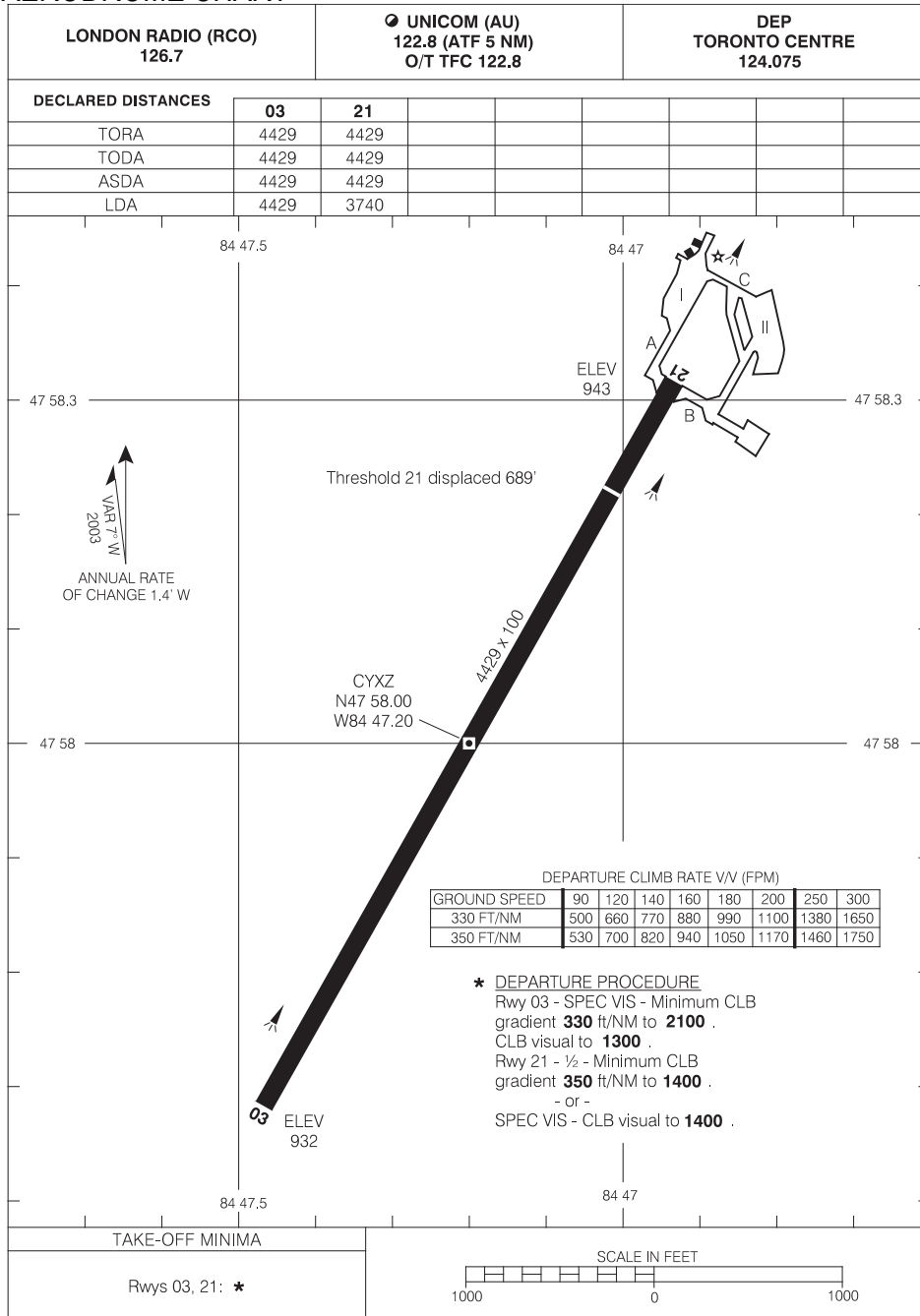
TRENTON ON  
TRENTON  
NAD83

EFF 11 FEB 10 CHANGE: Twy K, L, M, N

Source of Canadian Civil Aeronautical Data : © 2010 NAV CANADA All rights reserved

# AERODROME CHART

WAWA  
WAWA ON



Source of Canadian Civil Aeronautical Data : © 2010 NAV CANADA All rights reserved

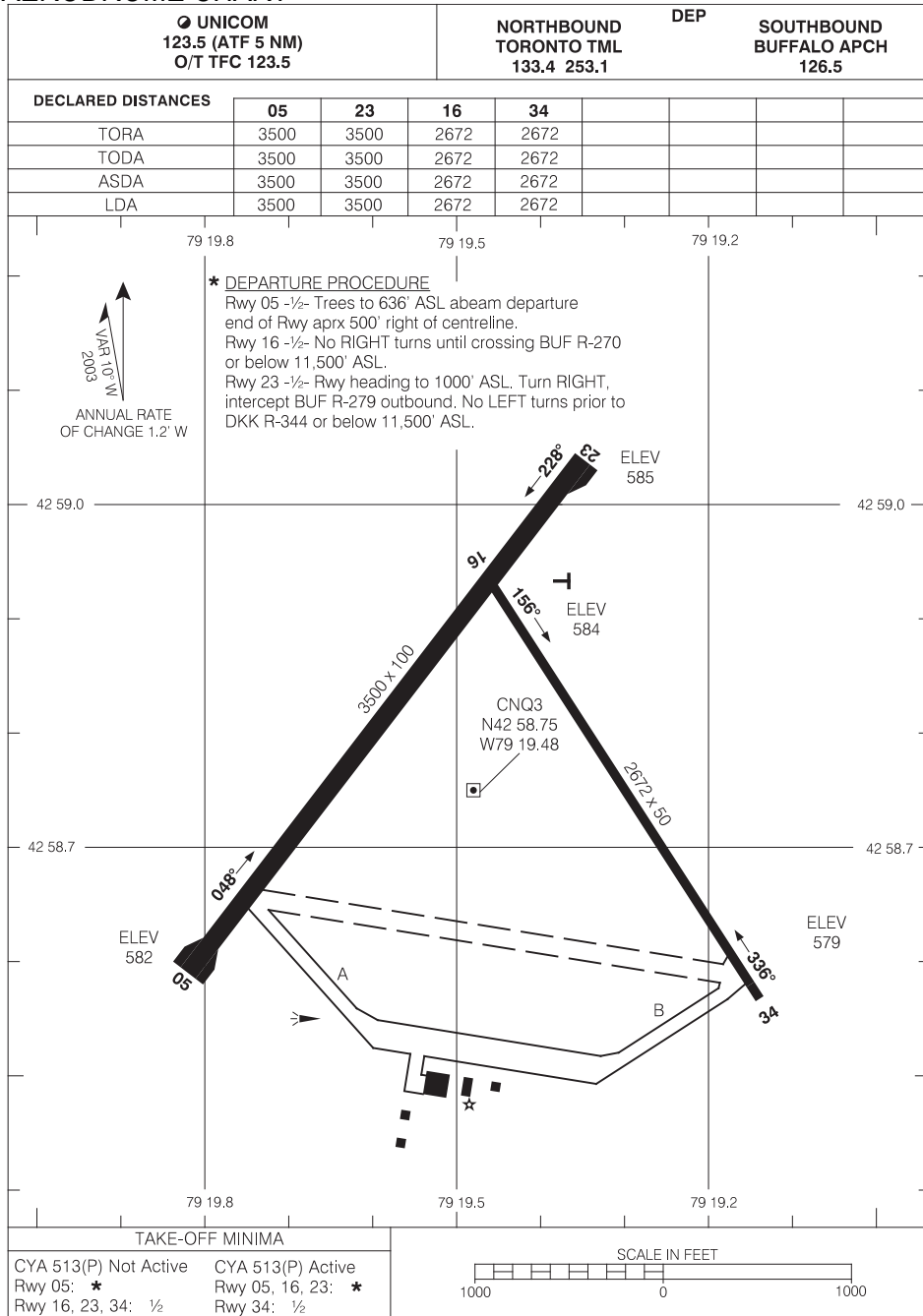
# AERODROME CHART

WAWA ON  
WAWA  
NAD83

EFF 7 MAY 09 CHANGE: Comm box

# AERODROME CHART

WELLAND/NIAGARA CENTRAL  
WELLAND ON



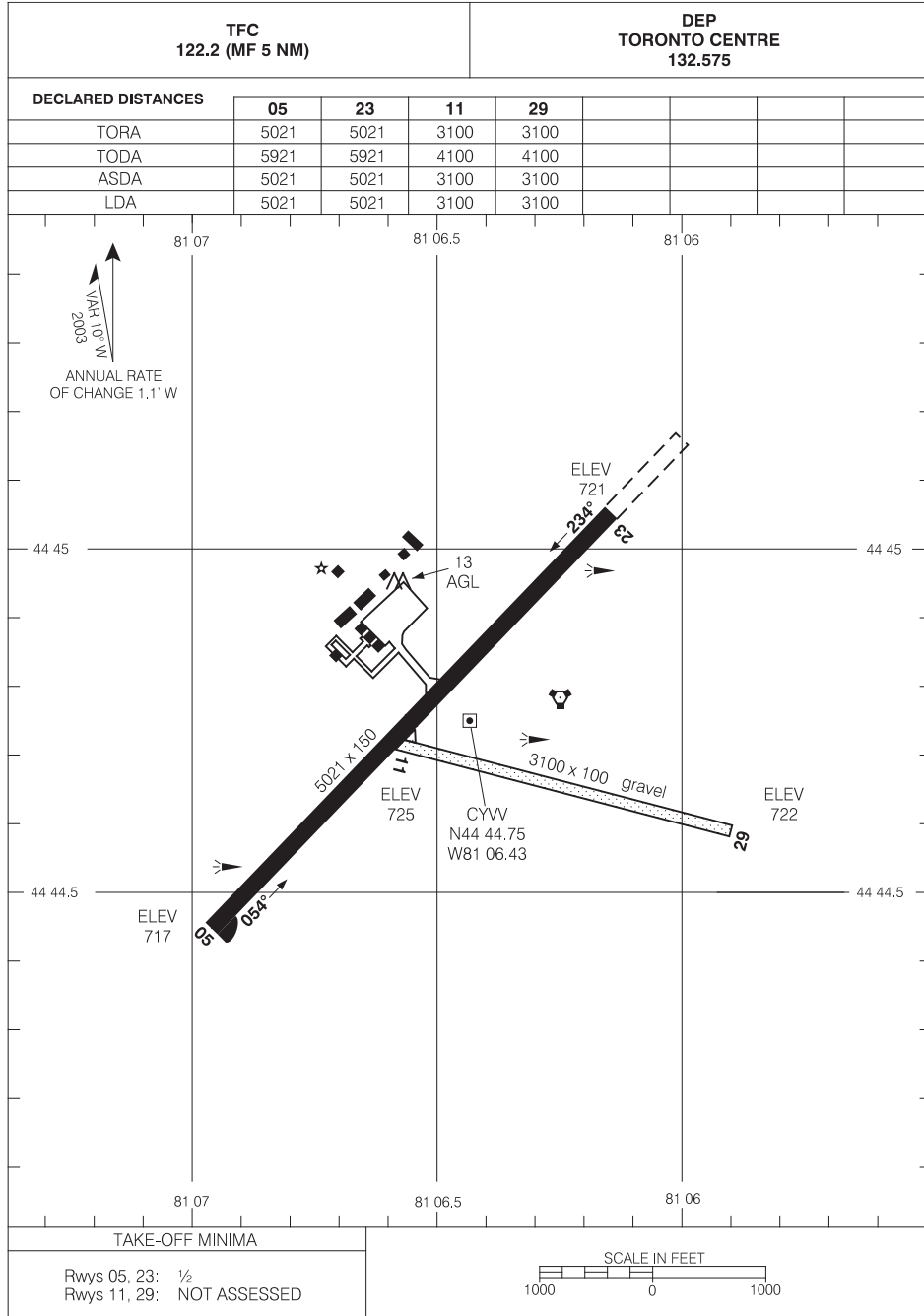
# AERODROME CHART

WELLAND ON  
WELLAND/NIAGARA CENTRAL  
NAD83

EFF 20 NOV 08 CHANGE: Rwy length, declared distances

# AERODROME CHART

WIARTON  
WIARTON ON



Source of Canadian Civil Aeronautical Data : © 2010 NAV CANADA All rights reserved

# AERODROME CHART

WIARTON ON  
WIARTON  
NAD83

EFF 27 AUG 09 CHANGE: COMM

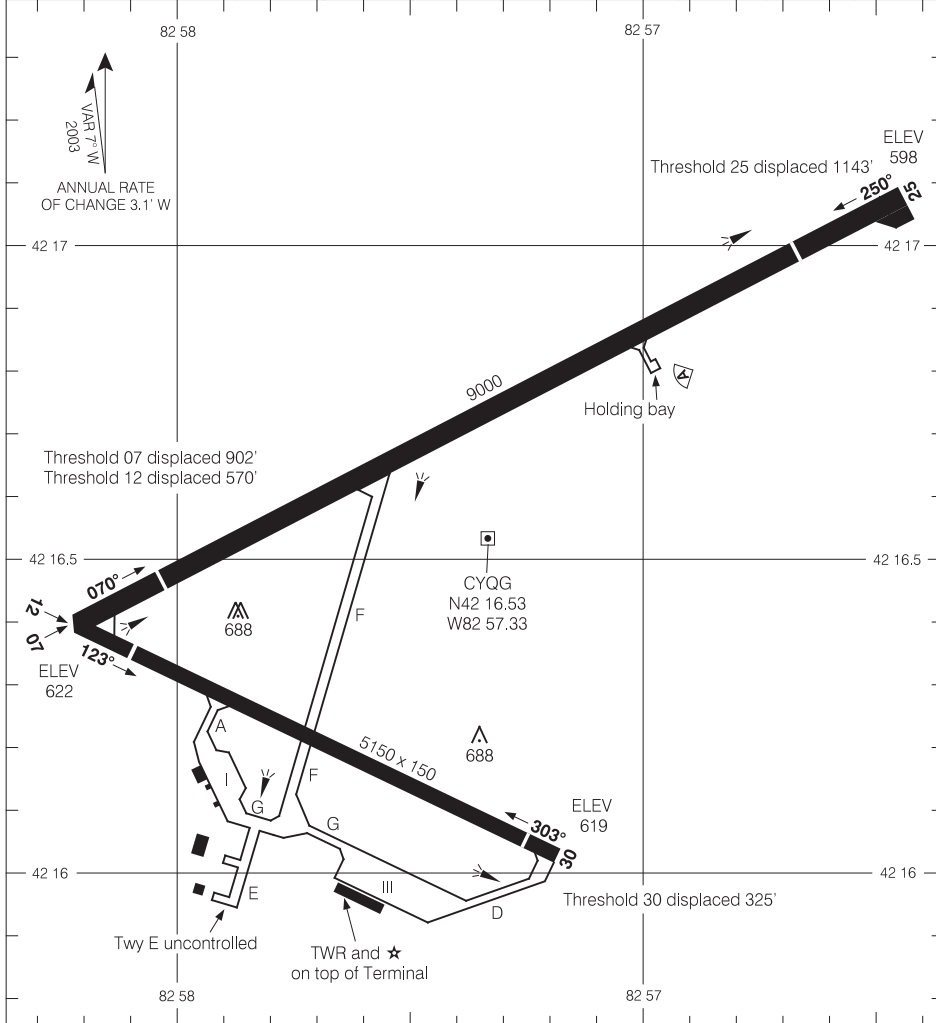


# AERODROME CHART

WINDSOR  
WINDSOR ON

● ATIS 134.5	● GND 121.7	RADIO LONDON (RCO) 123.375 (FISE)	● TWR 124.7 O/T TFC 124.7 (MF 6 NM)	DEP DETROIT APCH CTL 126.85 127.5 134.3 363.2 348.3
-----------------	----------------	---	---	---

DECLARED DISTANCES	07	25	12	30
TORA	9000	9000	5150	5150
TODA	10,000	9000	5350	5150
ASDA	9000	9000	5150	5150
LDA	8098	7857	4580	4825



Source of Canadian Civil Aeronautical Data : © 2010 NAV CANADA All rights reserved

TAKE-OFF MINIMA	SCALE IN FEET
All Rwys: 1/2	1000 0 1000 2000

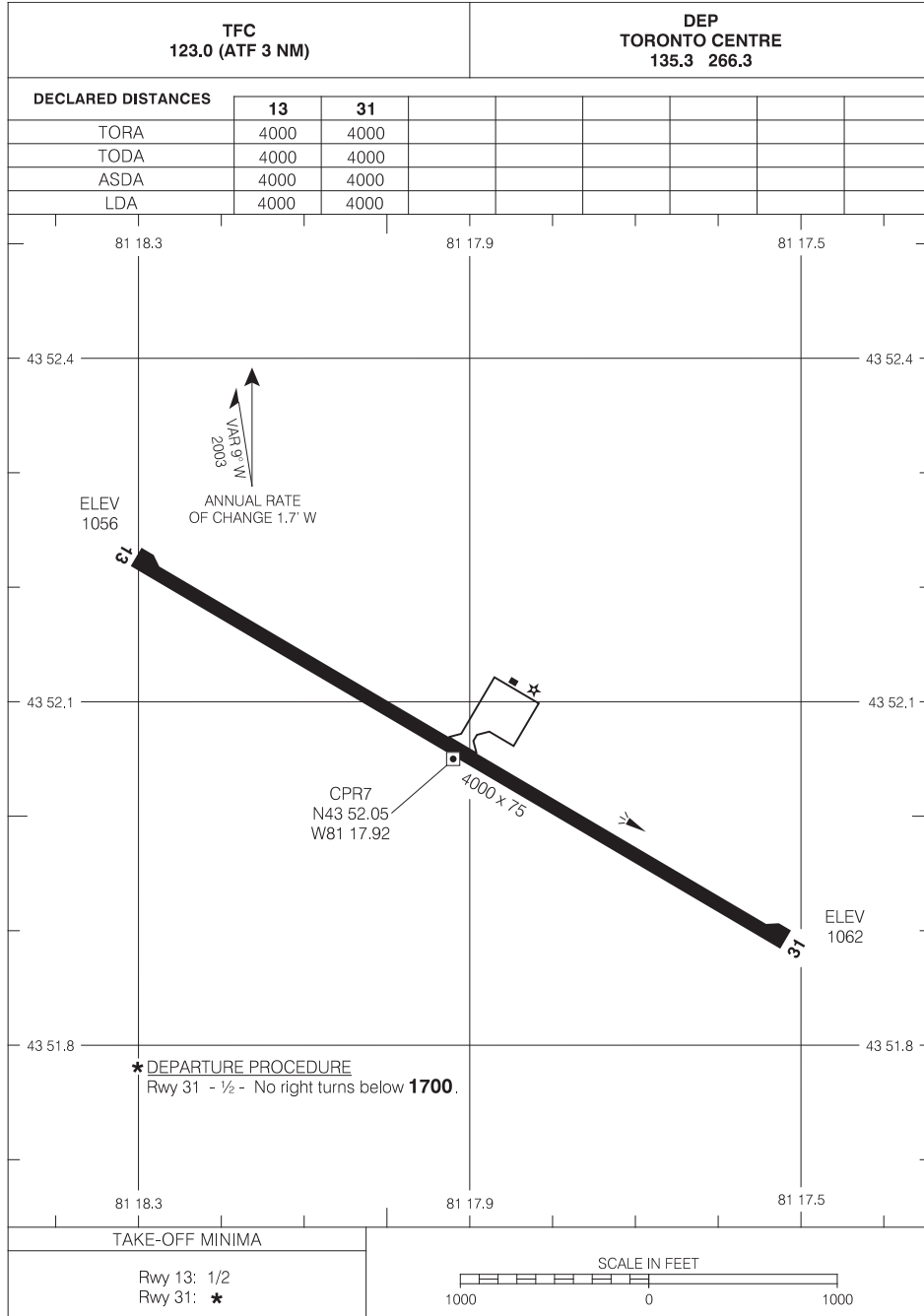
# AERODROME CHART

WINDSOR ON  
WINDSOR  
NAD83

EFF 22 OCT 09 CHANGE: COMM

# AERODROME CHART

WINGHAM/RICHARD W. LeVAN  
WINGHAM ON



Source of Canadian Civil Aeronautical Data : © 2010 NAV CANADA All rights reserved

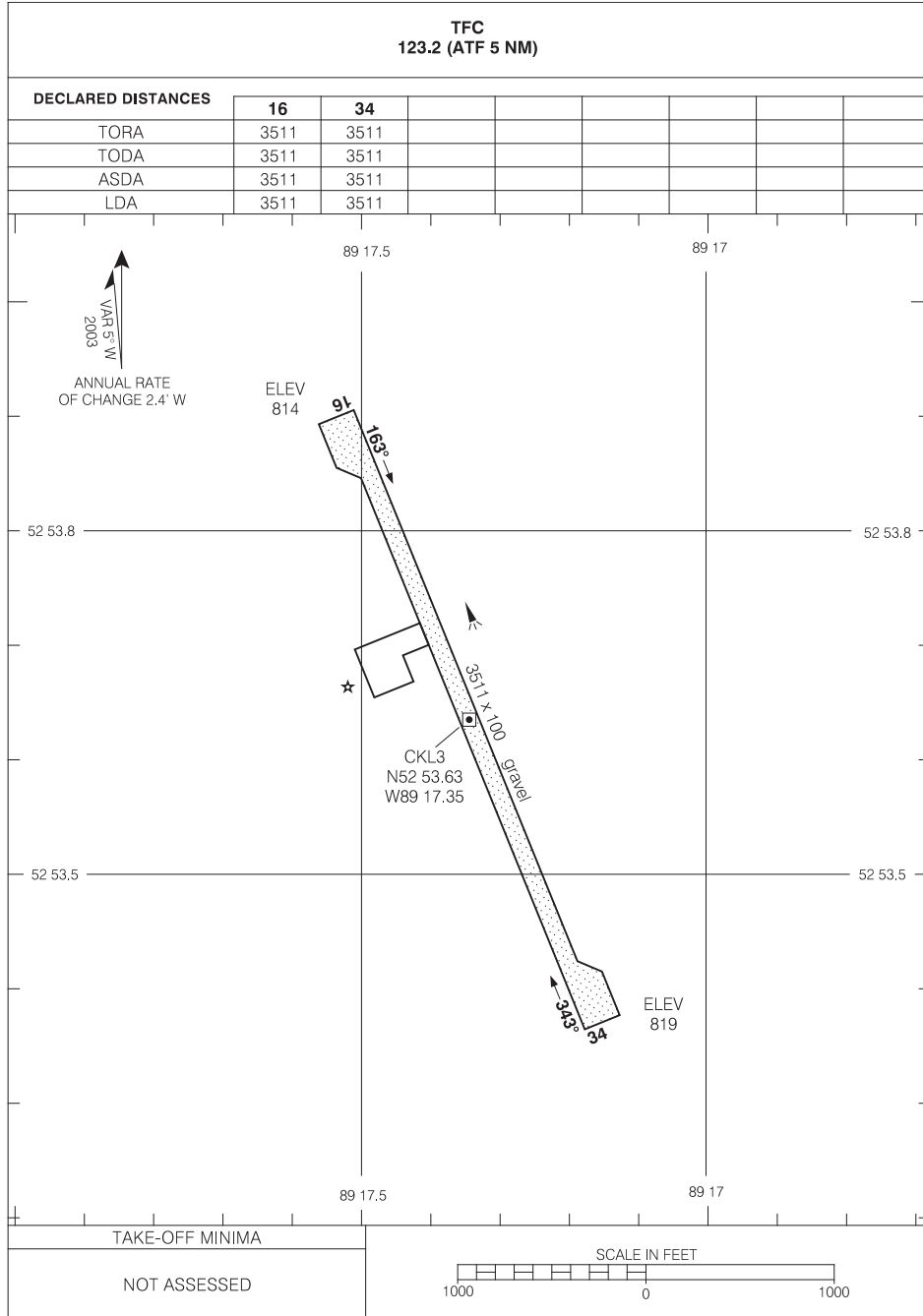
# AERODROME CHART

WINGHAM ON  
WINGHAM/RICHARD W. LeVAN  
NAD83

EFF 12 MAR 09 CHANGE: COMM - ATF

# AERODROME CHART

WUNNUMIN LAKE  
WUNNUMIN LAKE ON



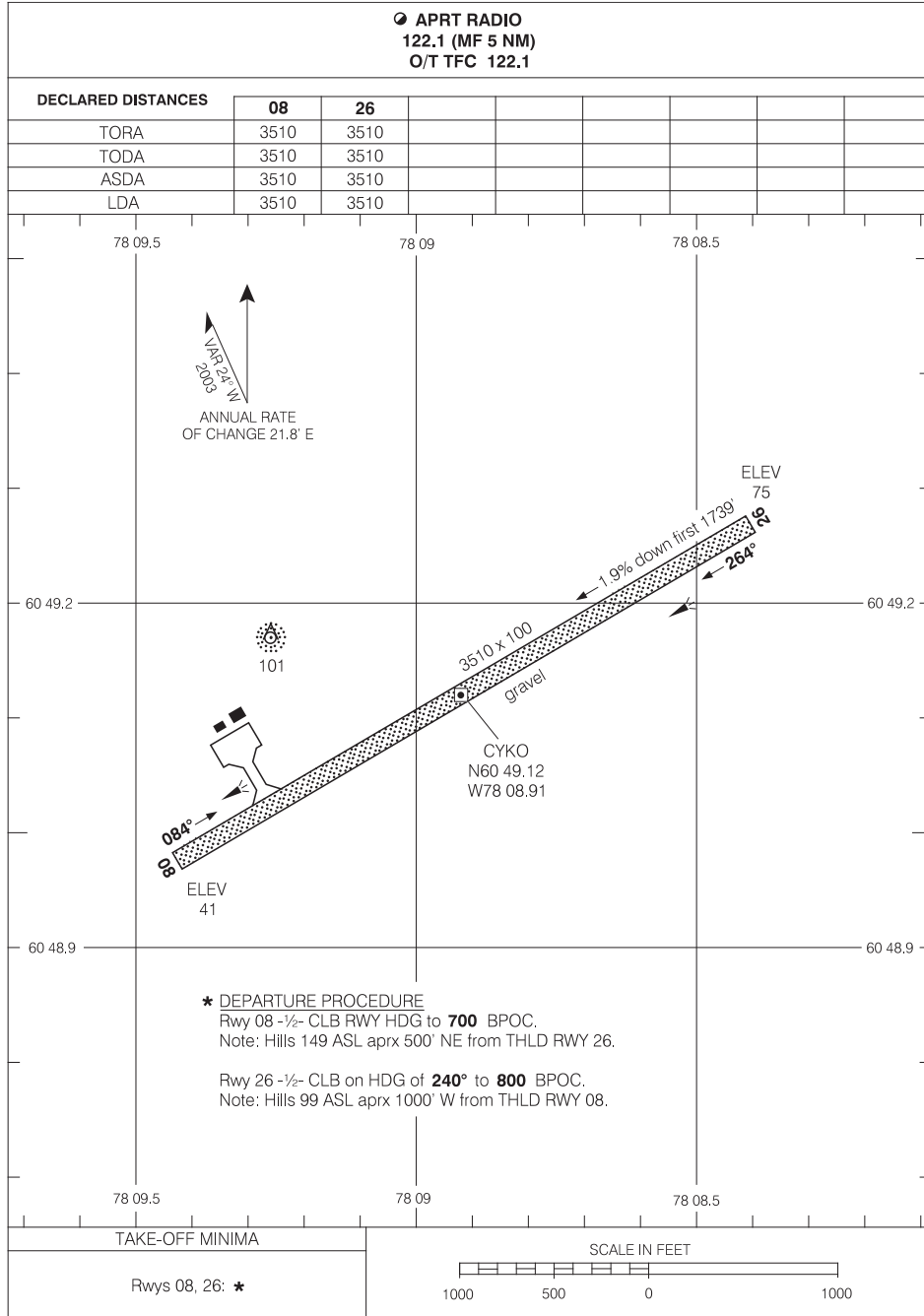
# AERODROME CHART

WUNNUMIN LAKE ON  
WUNNUMIN LAKE  
NAD83

EFF 27 AUG 09 CHANGE: Rwy length, declared distances

# AERODROME CHART

AKULIVIK  
AKULIVIK QC



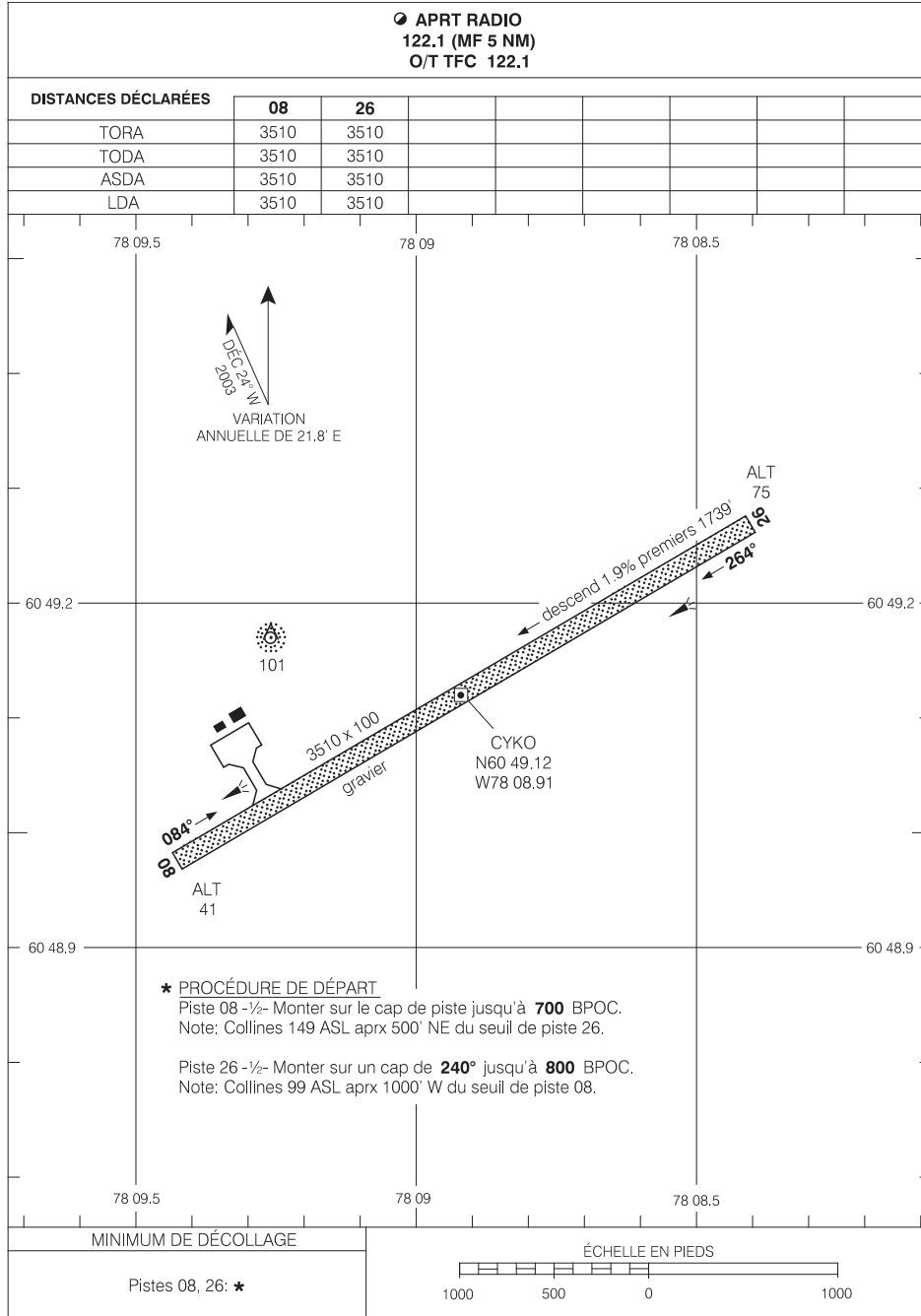
# AERODROME CHART

AKULIVIK QC  
AKULIVIK  
NAD83

EFF 13 APR 06 CHANGE: Editorial

# CARTE D'AÉRODROME

AKULIVIK  
AKULIVIK QC



Source des données aéronautiques civiles pour le Canada. © 2010 NAV CANADA. Tous droits réservés

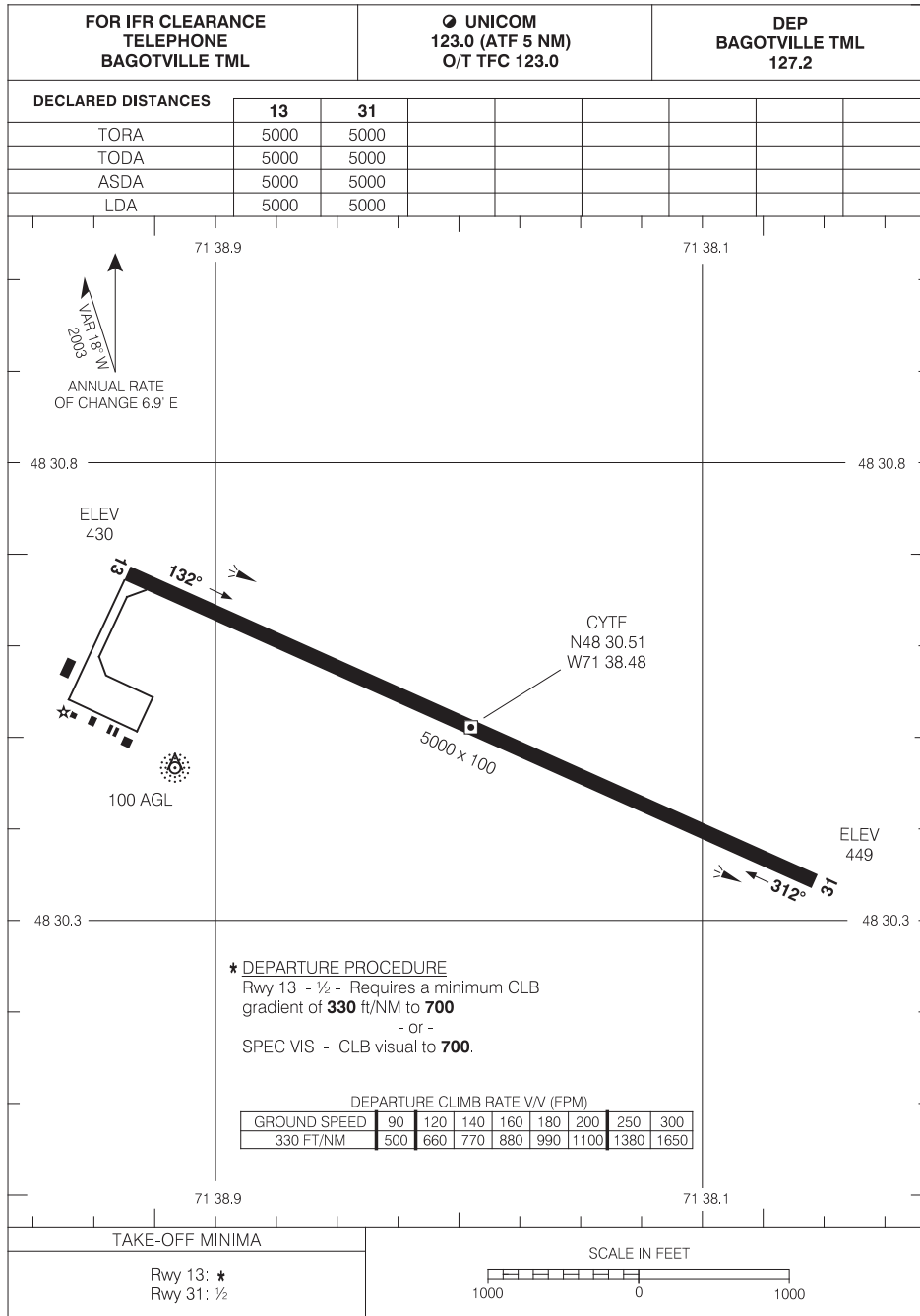
# CARTE D'AERODROME

AKULIVIK QC  
AKULIVIK  
NAD83

VAL 13 AVR 06      CHANGEMENT: Éditorial

# AERODROME CHART

ALMA  
ALMA QC



Source of Canadian Civil Aeronautical Data : © 2010 NAV CANADA All rights reserved

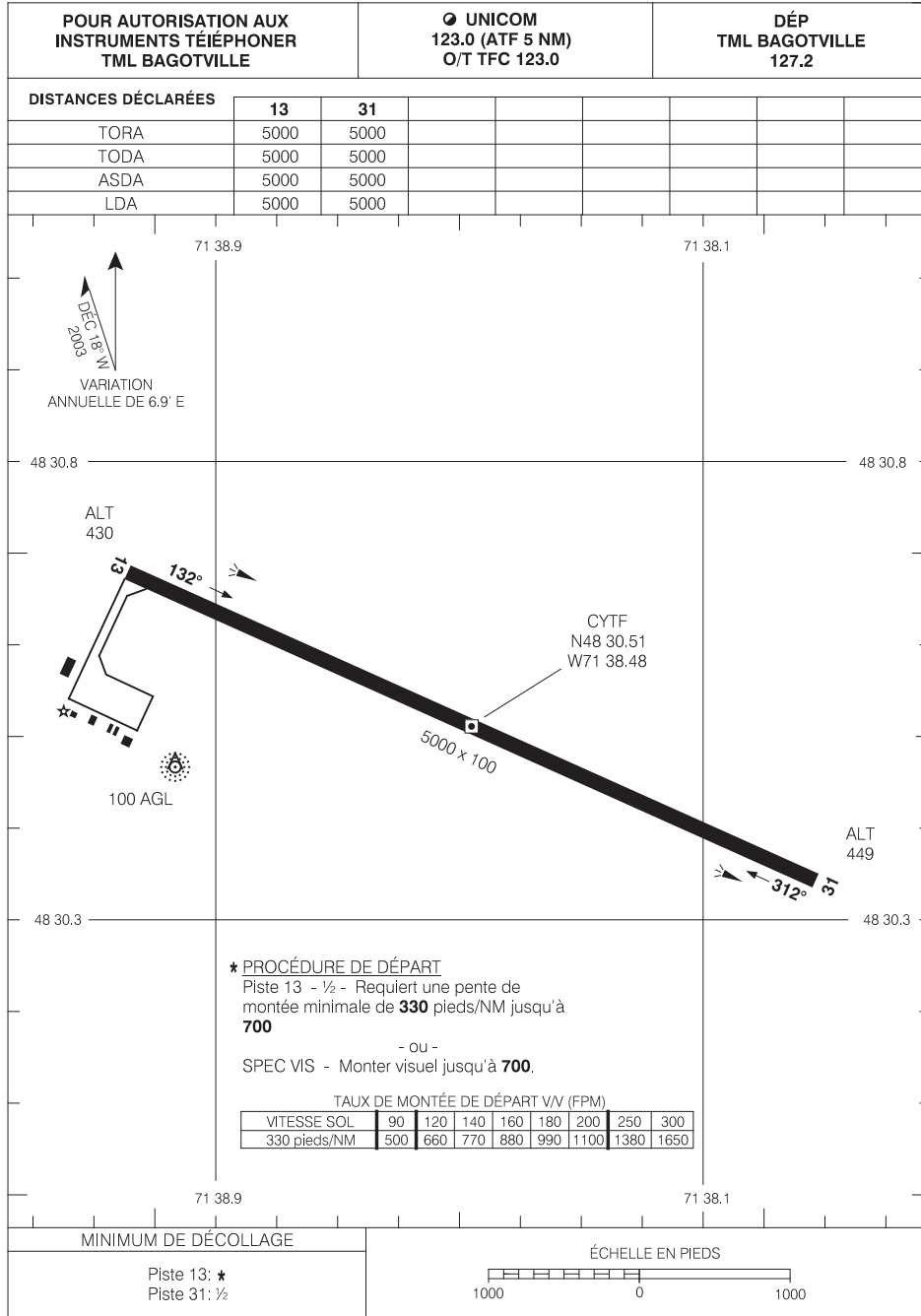
# AERODROME CHART

ALMA QC  
ALMA  
NAD83

EFF 10 APR 08 CHANGE: Revised

# CARTE D'AÉRODROME

ALMA  
ALMA QC



Source des données aéronautiques civiles pour le Canada © 2010 NAV CANADA Tous droits réservés

# CARTE D'AÉRODROME

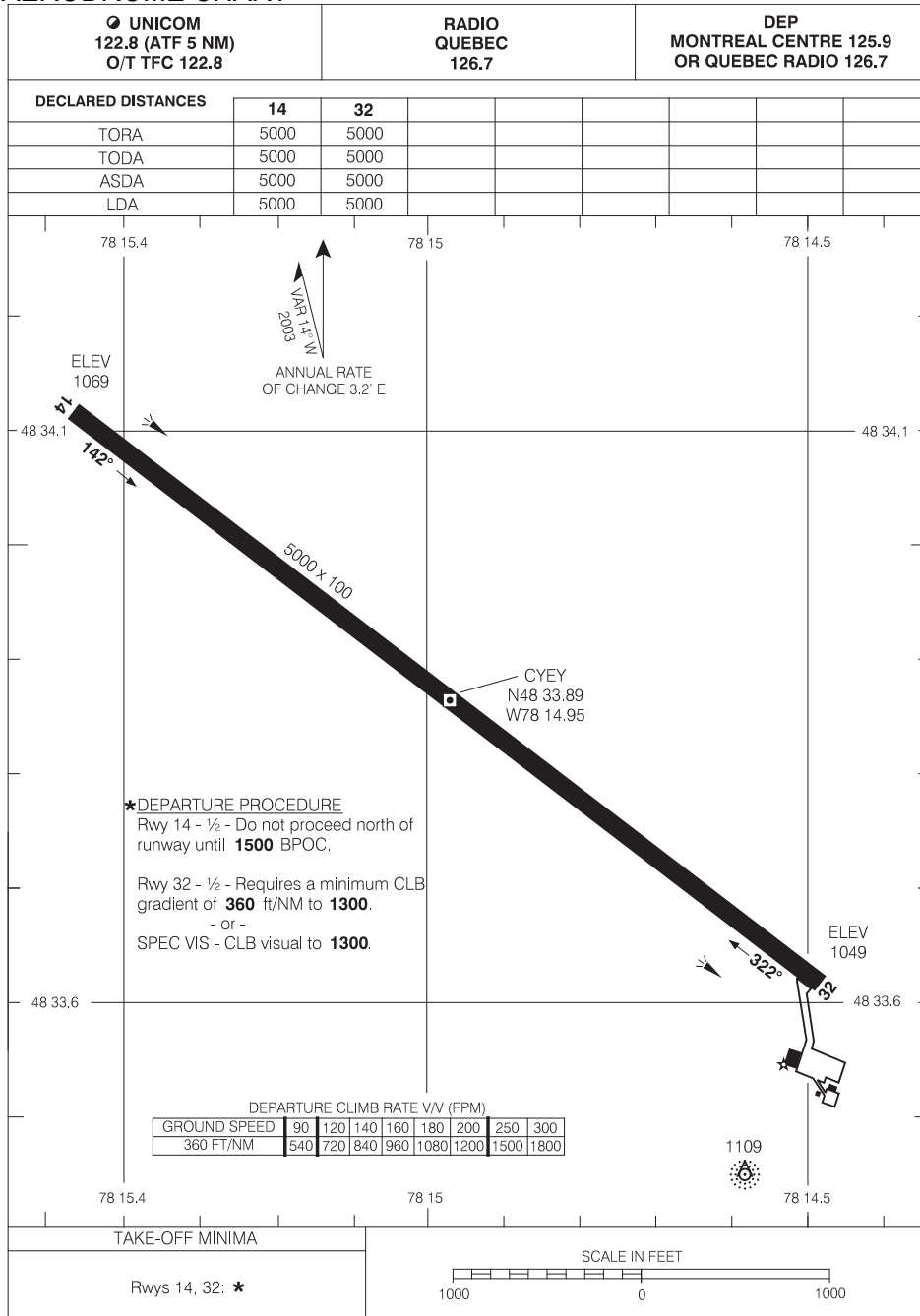
ALMA QC  
ALMA  
NAD83

VAL 10 AVR 08

CHANGEMENT: Révisée

# AERODROME CHART

AMOS/MAGNY  
AMOS QC



Source of Canadian Civil Aeronautical Data : © 2010 NAV CANADA All rights reserved

# AERODROME CHART

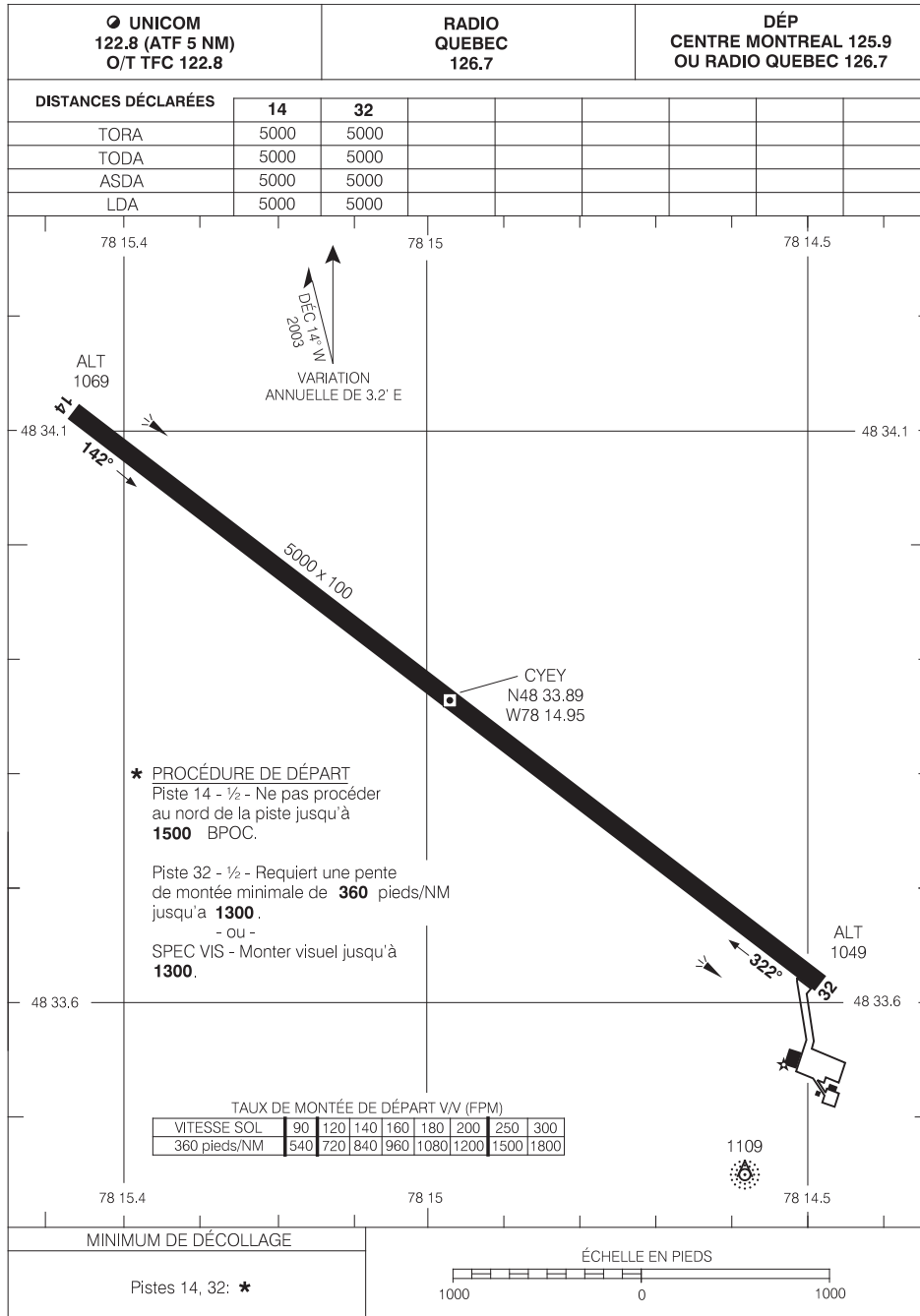
AMOS QC  
AMOS/MAGNY  
NAD83

EFF 20 NOV 08      CHANGE: Threshold elevations, AGCC



# CARTE D'AÉRODROME

AMOS/MAGNY  
AMOS QC



Source des données aéronautiques civiles pour le Canada © 2010 NAV CANADA Tous droits réservés

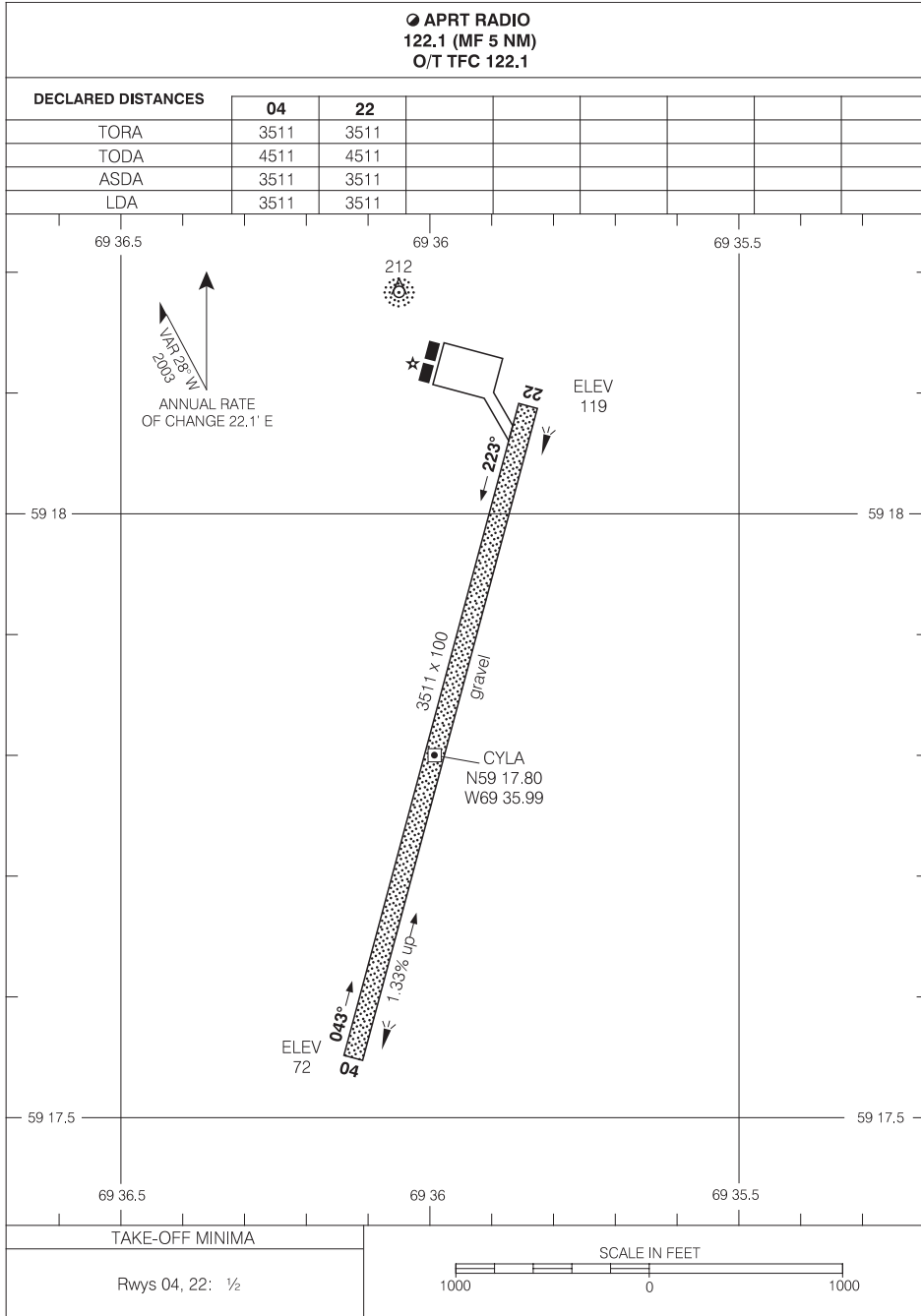
# CARTE D'AERODROME

AMOS QC  
AMOS/MAGNY  
NAD83

VAL 20 NOV 08      CHANGEMENT: Élévation des seuils, AGCC

# AERODROME CHART

AUPALUK  
AUPALUK QC



Source of Canadian Civil Aeronautical Data : © 2010 NAV CANADA All rights reserved

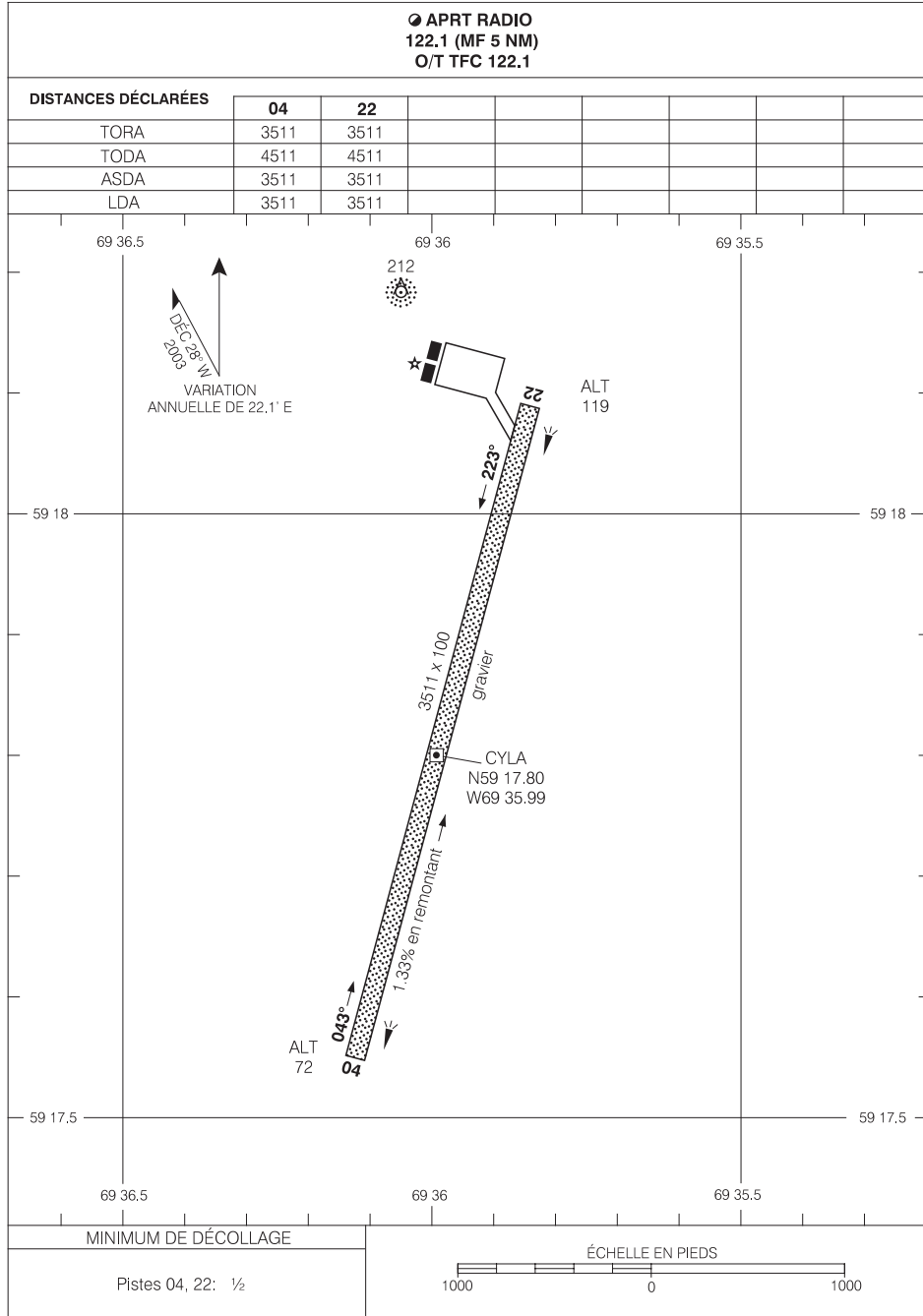
# AERODROME CHART

AUPALUK QC  
AUPALUK  
NAD83

EFF 13 APR 06 CHANGE: Editorial

# CARTE D'AÉRODROME

AUPALUK  
AUPALUK QC



Source des données aéronautiques civiles pour le Canada: © 2010 NAV CANADA. Tous droits réservés.

# CARTE D'AERODROME

AUPALUK QC  
AUPALUK  
NAD83

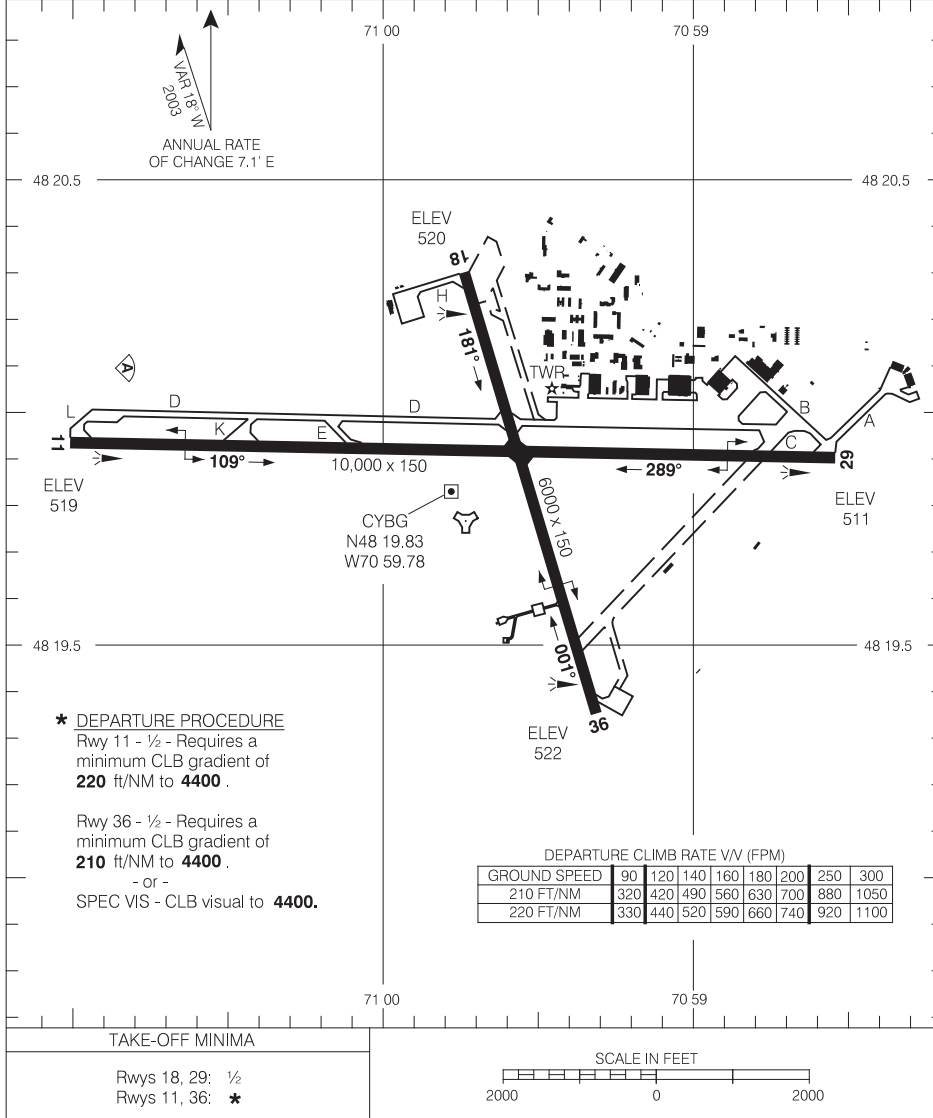
VAL 13 AVR 06      CHANGEMENT: Éditorial

# AERODROME CHART (DND)

BAGOTVILLE  
BAGOTVILLE QC

ATIS 124.2 302.5 125.8 (Fr)	CLNC DEL 119.0 384.5	PAR 119.6 283.7	GND 121.7 275.8	TWR 126.2 337.7	TML 127.2 227.6
-----------------------------------	----------------------------	-----------------------	-----------------------	-----------------------	-----------------------

DECLARED DISTANCES	11	29	18	36				
TORA	10,000	10,000	6000	6000				
TODA	10,000	10,000	6000	6000				
ASDA	10,200	10,200	6000	6000				
LDA	10,000	10,000	6000	6000				



# AERODROME CHART (DND)

BAGOTVILLE QC  
BAGOTVILLE  
NAD83

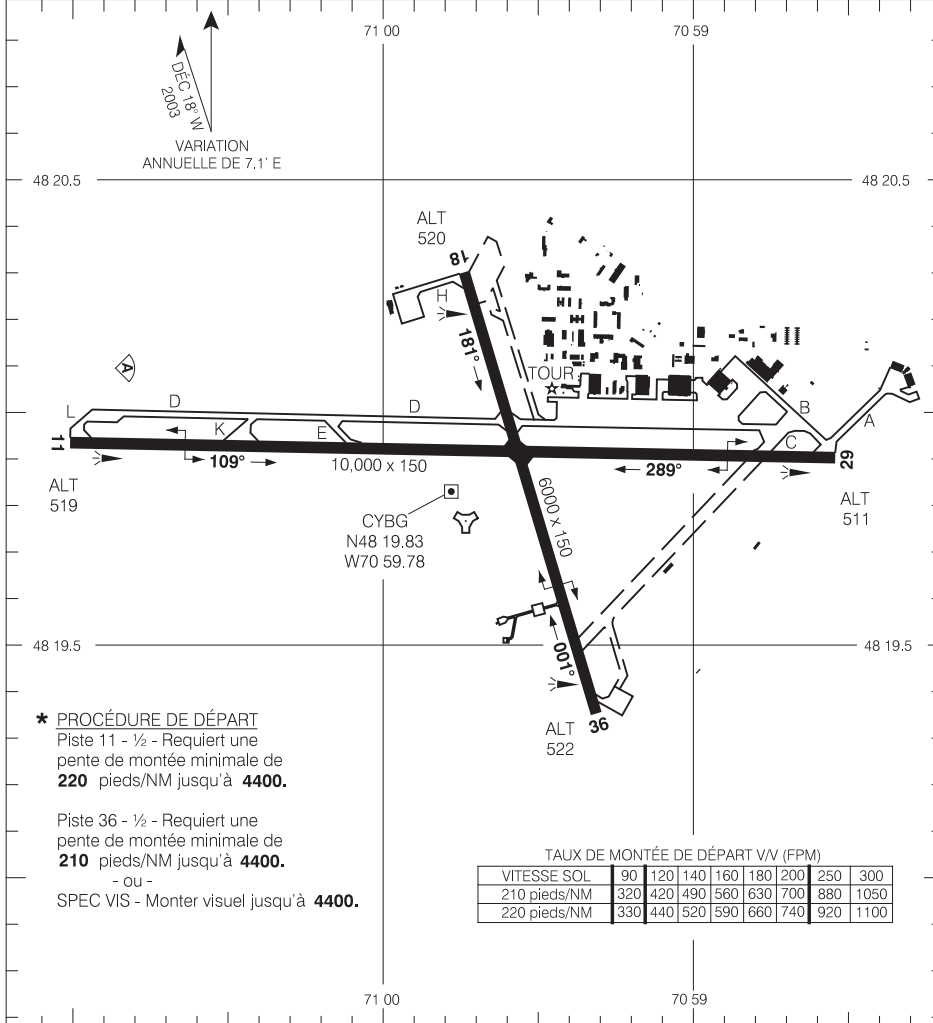
EFF 20 NOV 08 CHANGE: Obst removed

# CARTE D'AÉRODROME (MDN)

BAGOTVILLE  
BAGOTVILLE QC

<b>ATIS</b> 125.8 (Fr) 124.2 302.5	<b>CLNC DEL</b> 119.0 384.5	<b>PAR</b> 119.6 283.7	<b>SOL</b> 121.7 275.8	<b>TOUR</b> 126.2 337.7	<b>TML</b> 127.2 227.6
--	-----------------------------------	------------------------------	------------------------------	-------------------------------	------------------------------

DISTANCES DÉCLARÉES	11	29	18	36				
TORA	10,000	10,000	6000	6000				
TODA	10,000	10,000	6000	6000				
ASDA	10,200	10,200	6000	6000				
LDA	10,000	10,000	6000	6000				



MINIMUM DE DÉCOLLAGE
Pistes 18, 29: ½ Pistes 11, 36: *



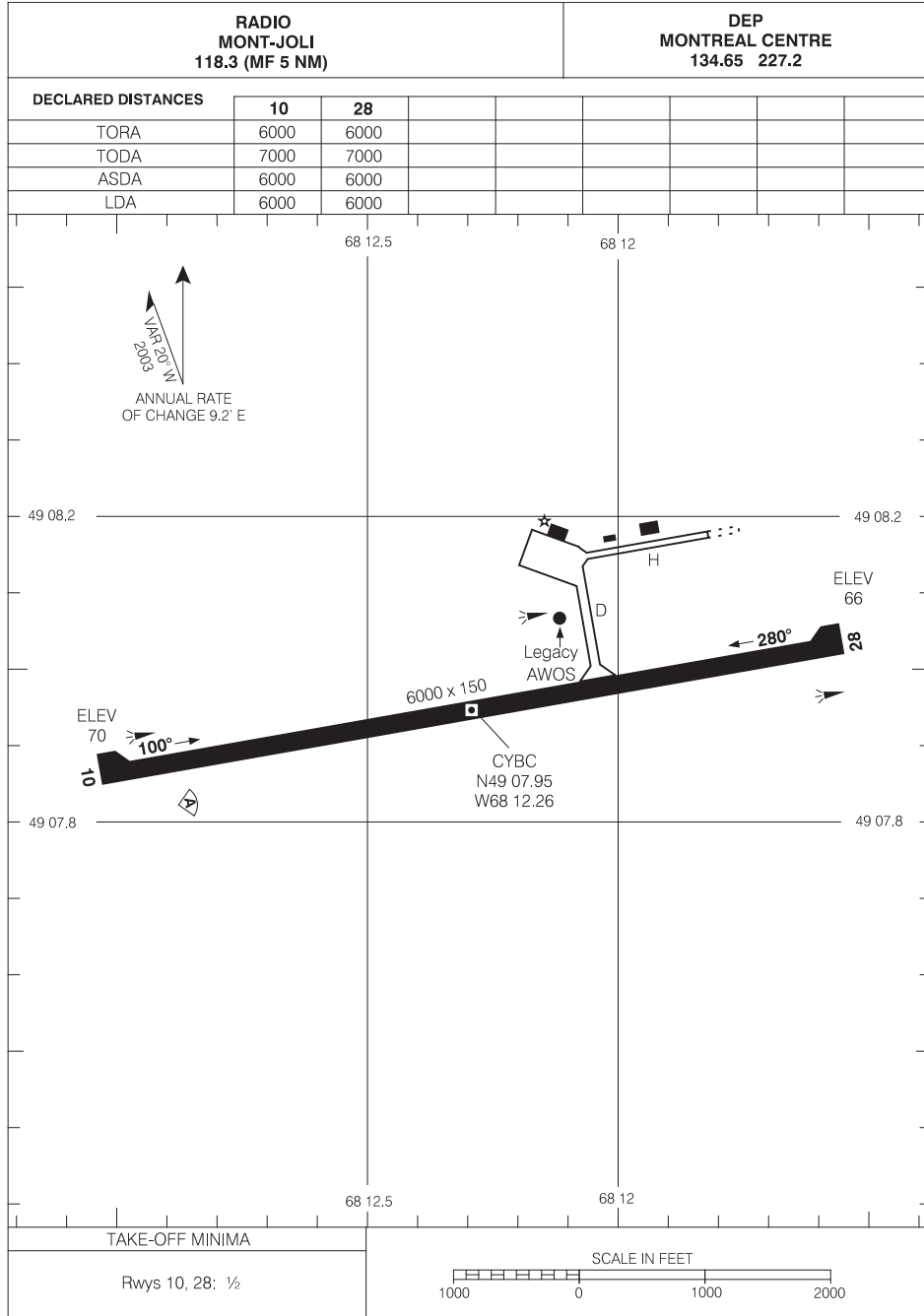
# CARTE D'AERODROME (MDN)

BAGOTVILLE QC  
BAGOTVILLE  
NAD83

VAL 20 NOV 08    CHANGEMENT: Obstacle supprimé

# AERODROME CHART

BAIE-COMEAU  
BAIE-COMEAU QC



Source of Canadian Civil Aeronautical Data : © 2010 NAV CANADA All rights reserved

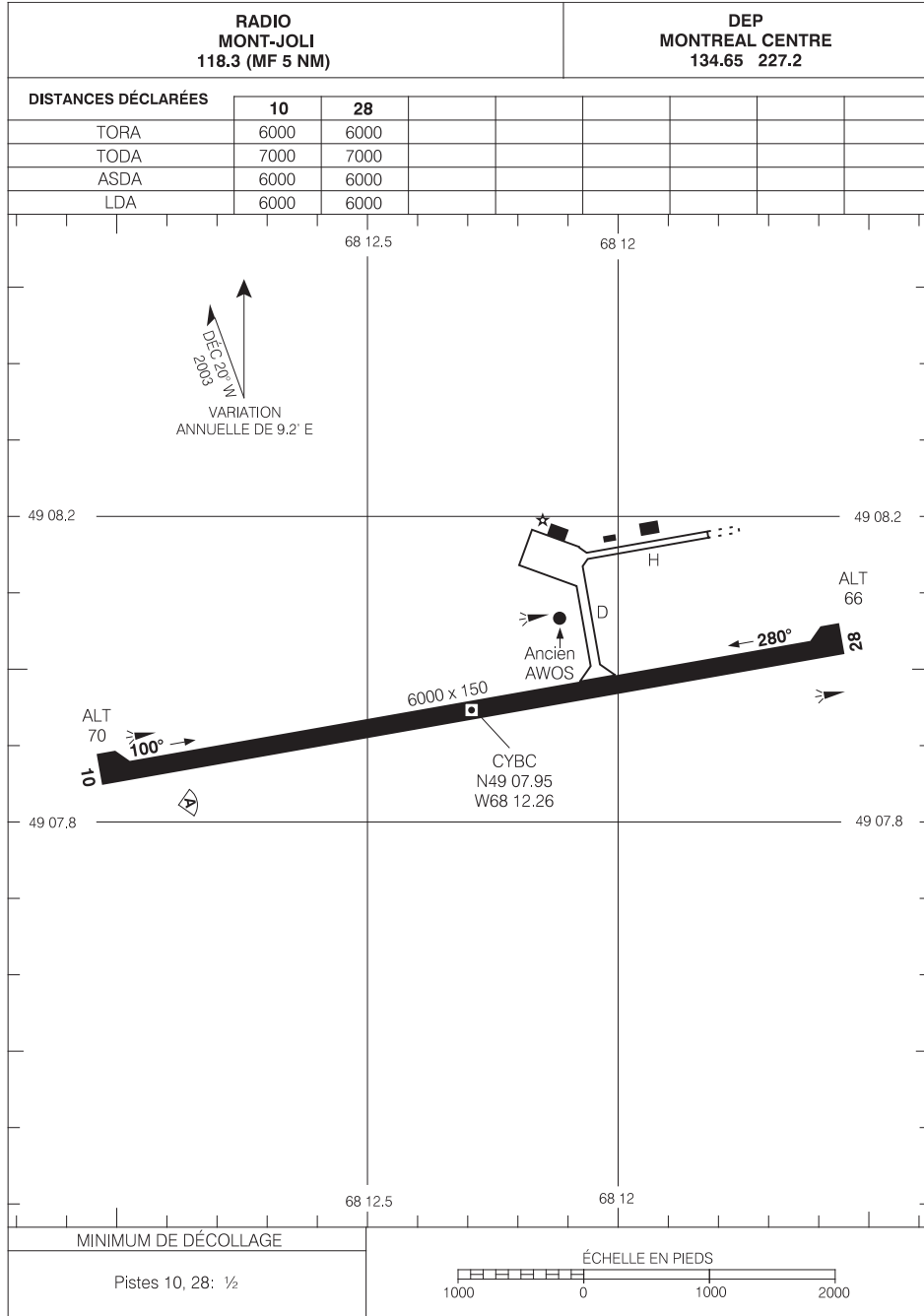
# AERODROME CHART

BAIE-COMEAU QC  
BAIE-COMEAU  
NAD83

EFF 27 AUG 09 CHANGE: VOT deleted

# CARTE D'AÉRODROME

BAIE-COMEAU  
BAIE-COMEAU QC



Source des données aéronautiques civiles pour le Canada: © 2010 NAV CANADA. Tous droits réservés.

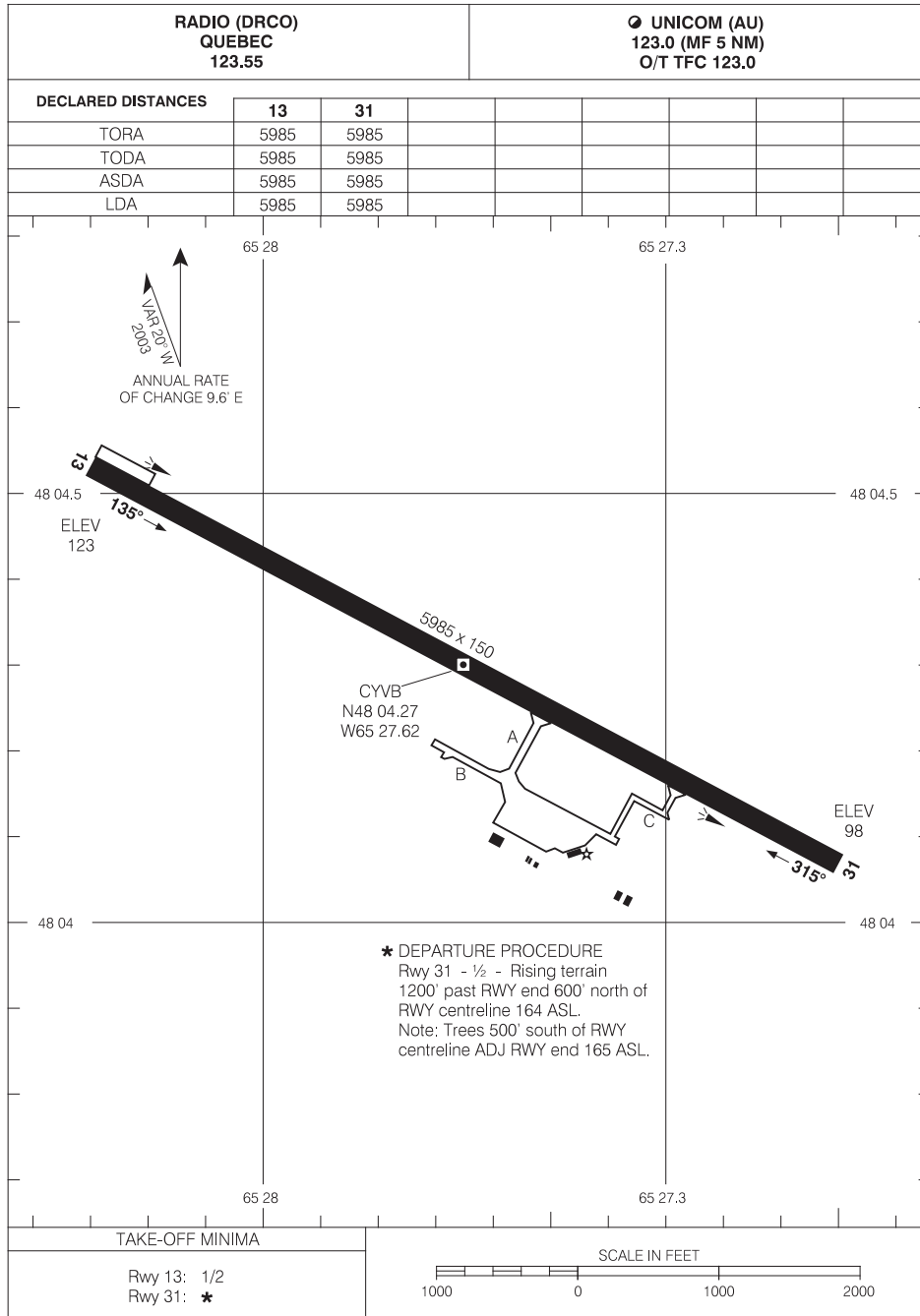
# CARTE D'AERODROME

BAIE-COMEAU QC  
BAIE-COMEAU  
NAD83

VAL 27 AOÛT 09      CHANGEMENT: VOT supprimé

# AERODROME CHART

BONAVENTURE  
BONAVENTURE QC



# AERODROME CHART

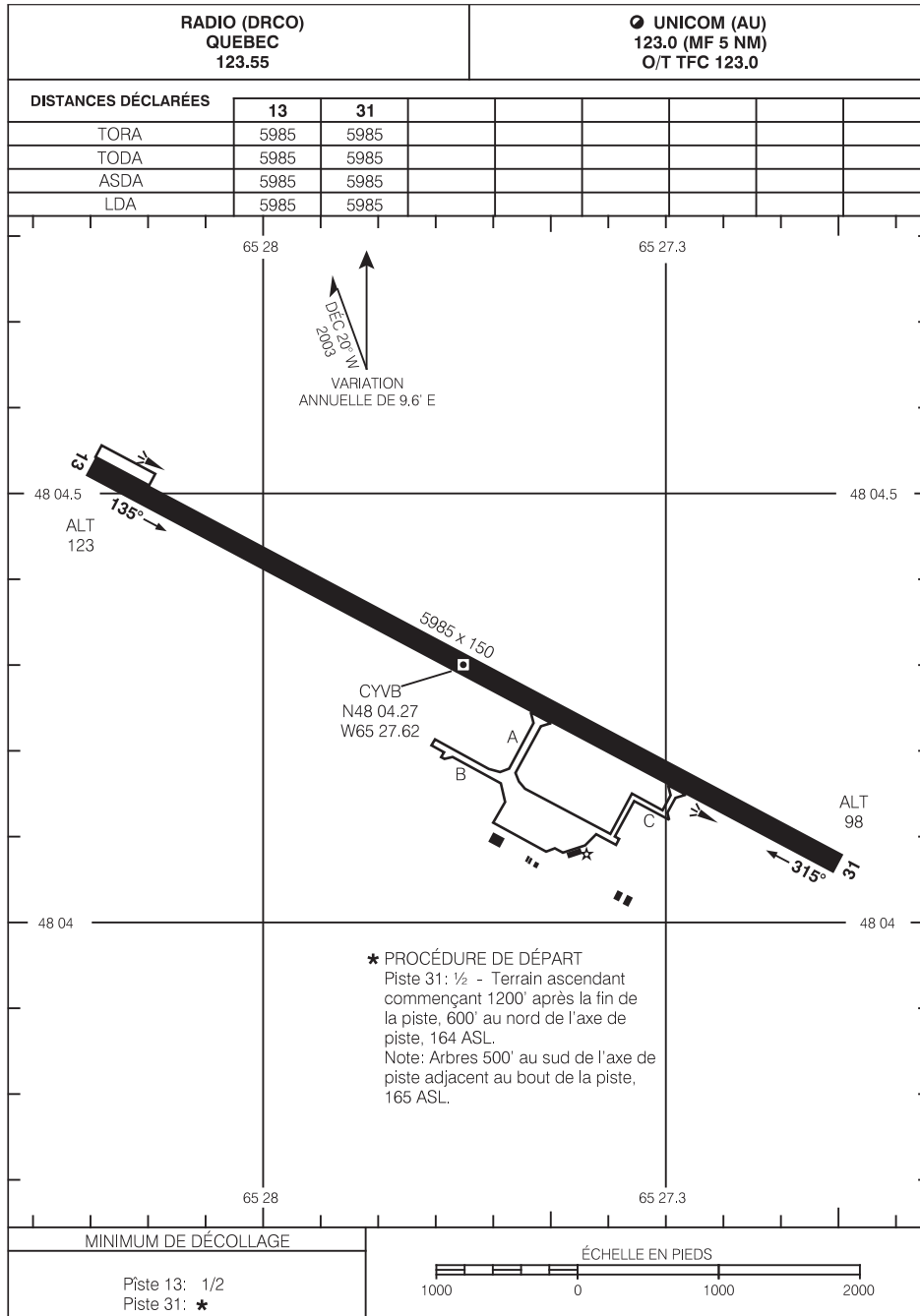
BONAVENTURE QC  
BONAVENTURE  
NAD83

EFF 14 FEB 08 CHANGE: Rwy headings



# CARTE D'AÉRODROME

BONAVENTURE  
BONAVENTURE QC



Source des données aéronautiques civiles pour le Canada: © 2010 NAV CANADA Tous droits réservés

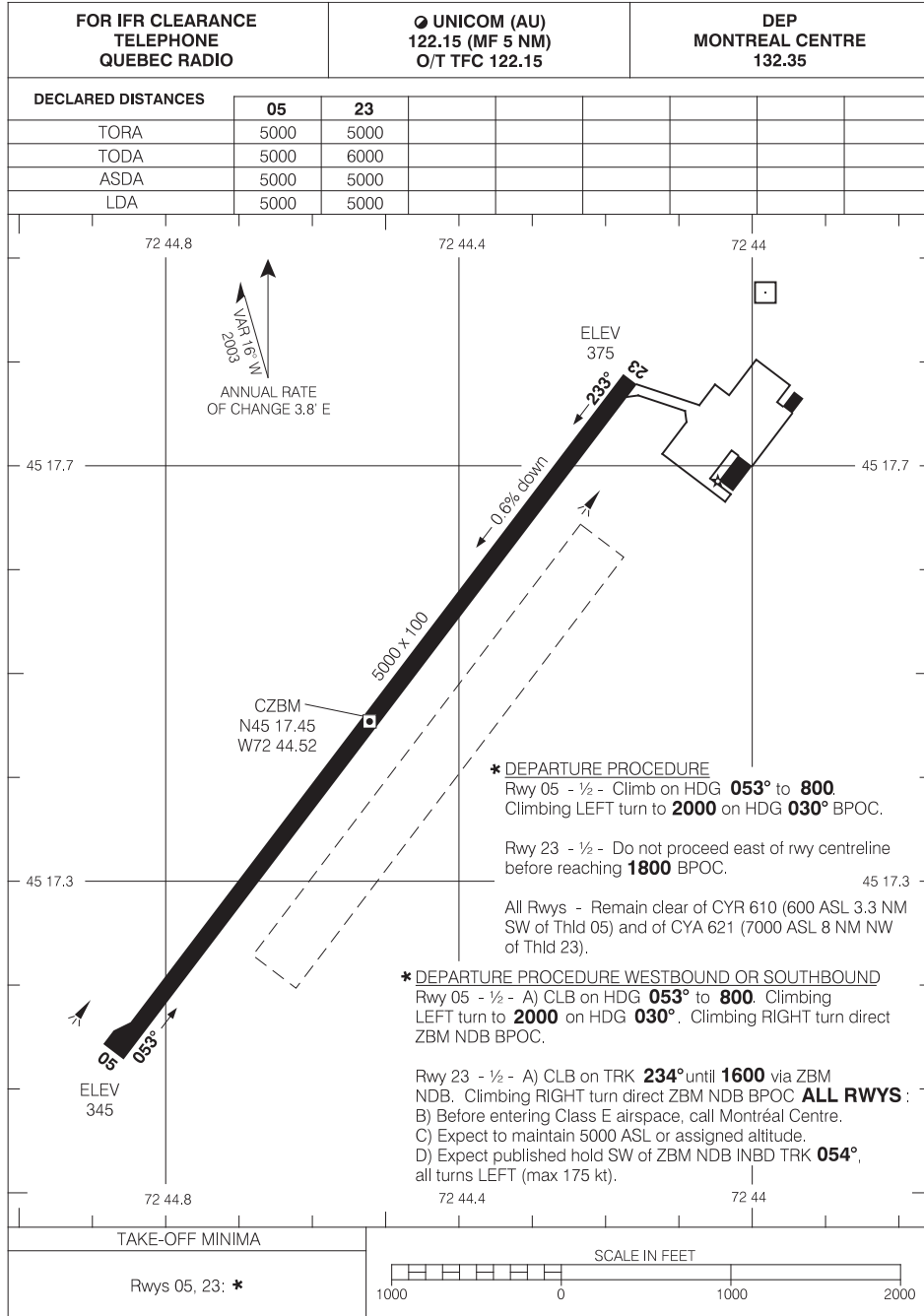
# CARTE D'AERODROME

BONAVENTURE QC  
BONAVENTURE  
NAD83

VAL 14 FÉV 08      CHANGEMENT: Cap de piste

# AERODROME CHART

BROMONT  
BROMONT QC



Source of Canadian Civil Aeronautical Data : © 2010 NAV CANADA All rights reserved

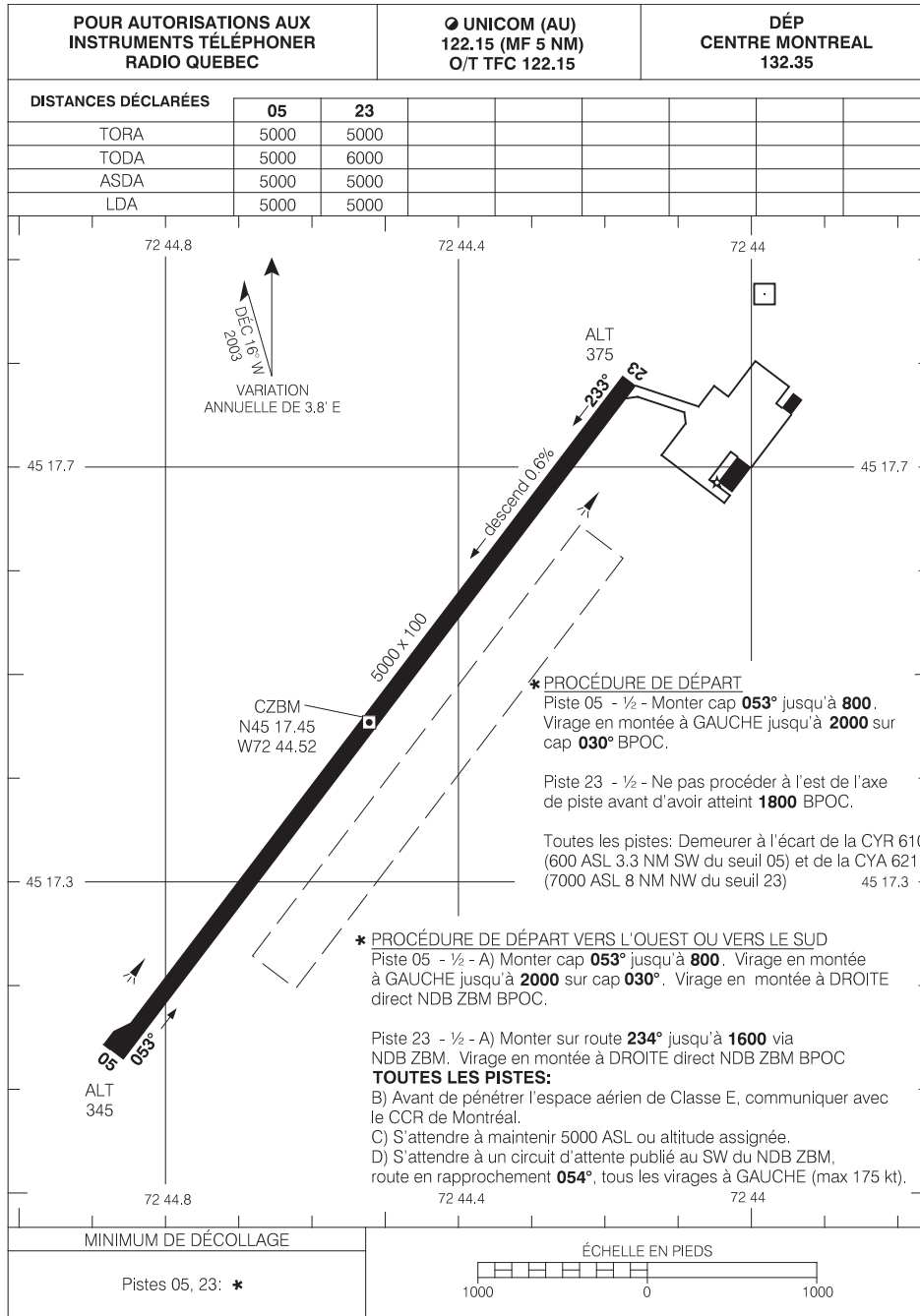
# AERODROME CHART

BROMONT QC  
BROMONT  
NAD83

EFF 11 FEB 10 CHANGE: Revised

# CARTE D'AÉRODROME

BROMONT  
BROMONT QC



Source des données aéronautiques civiles pour le Canada © 2010 NAV CANADA Tous droits réservés

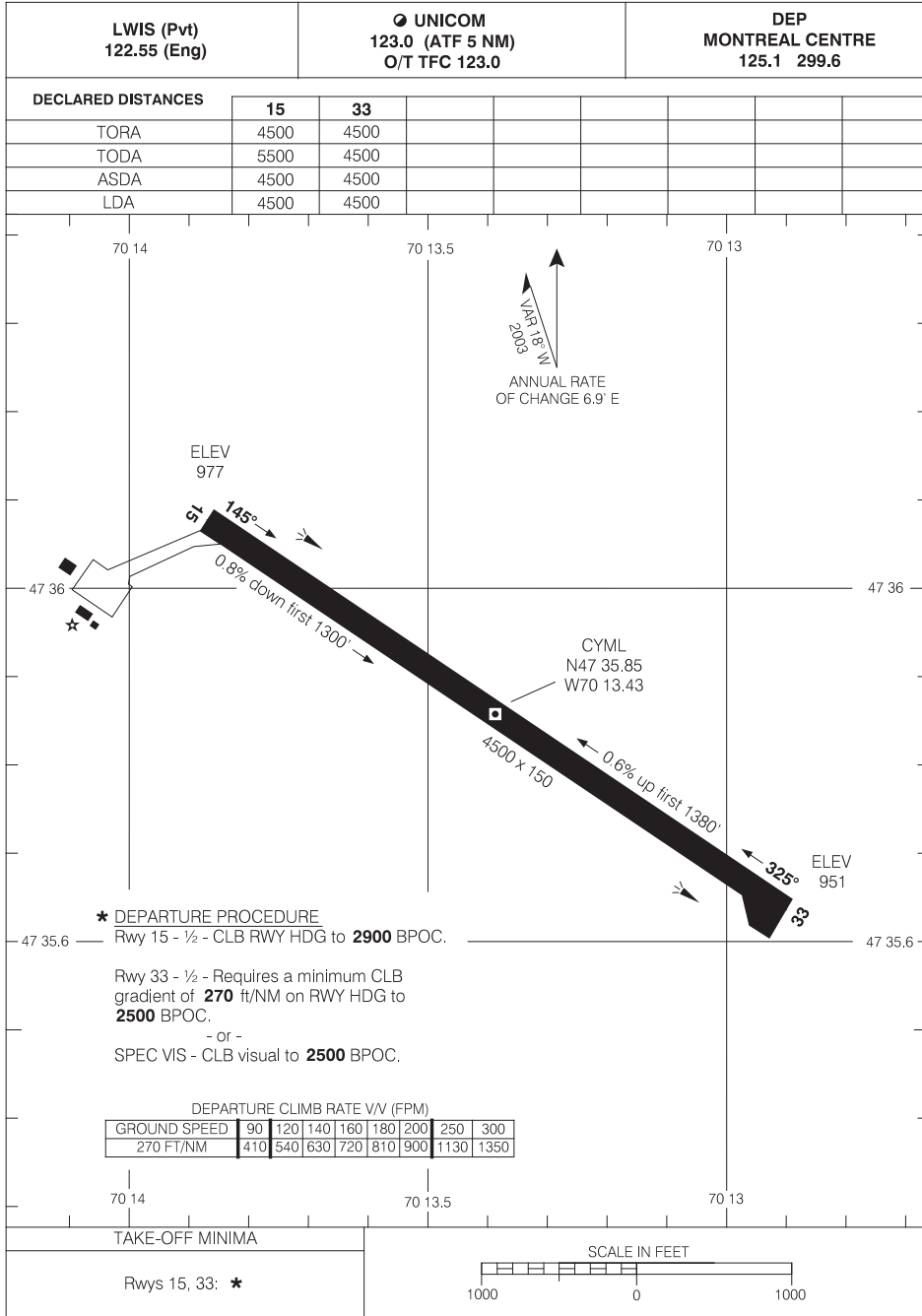
# CARTE D'AERODROME

BROMONT QC  
BROMONT  
NAD83

VAL 11 FÉV 10      CHANGEMENT: Révisée

# AERODROME CHART

CHARLEVOIX  
CHARLEVOIX QC



Source of Canadian Civil Aeronautical Data : © 2010 NAV CANADA All rights reserved

# AERODROME CHART

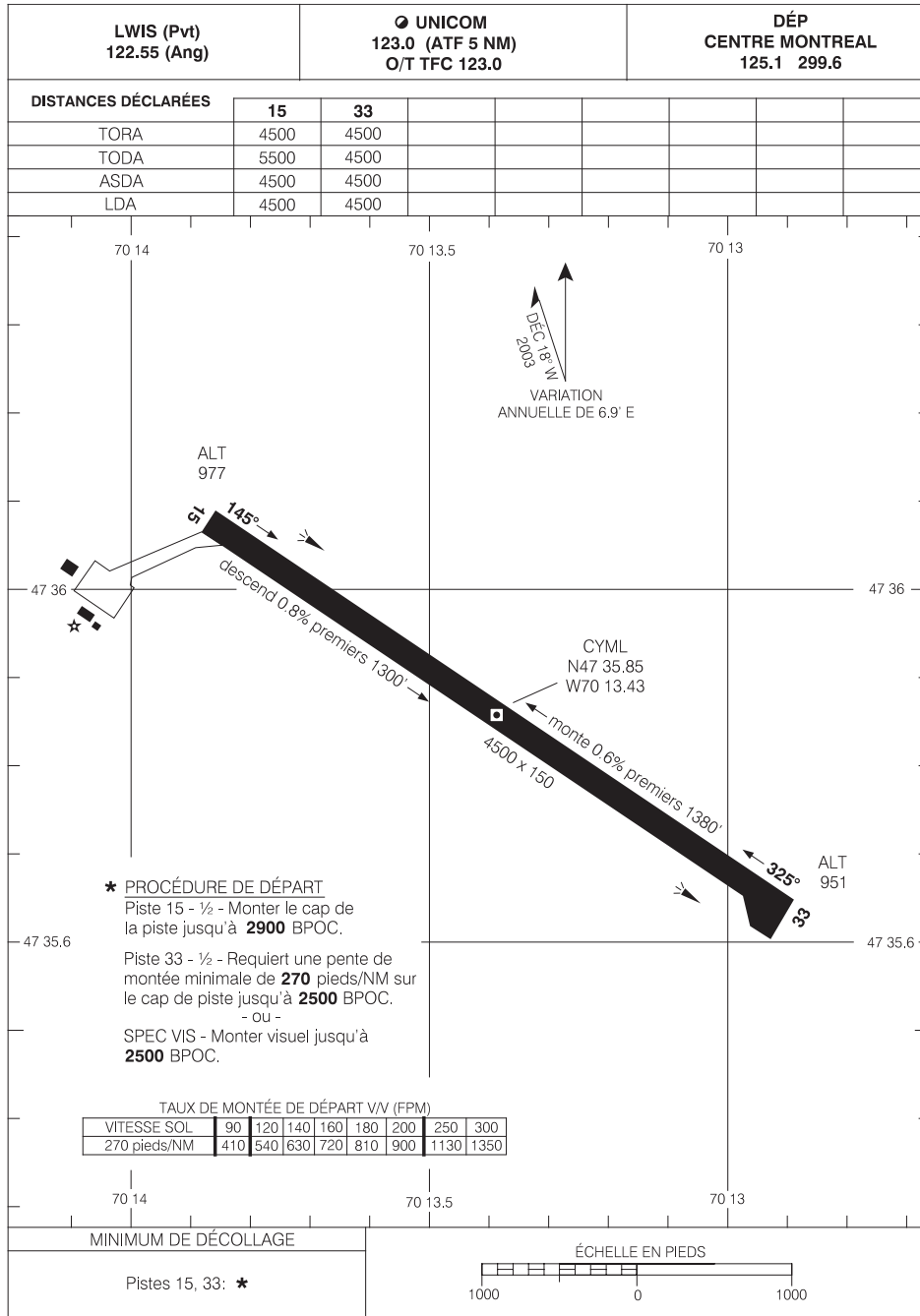
CHARLEVOIX QC  
CHARLEVOIX  
NAD83

EFF 20 NOV 08

CHANGE: LWIS

# CARTE D'AÉRODROME

CHARLEVOIX  
CHARLEVOIX QC



Source des données aéronautiques civiles pour le Canada. © 2010 NAV CANADA. Tous droits réservés.

# CARTE D'AERODROME

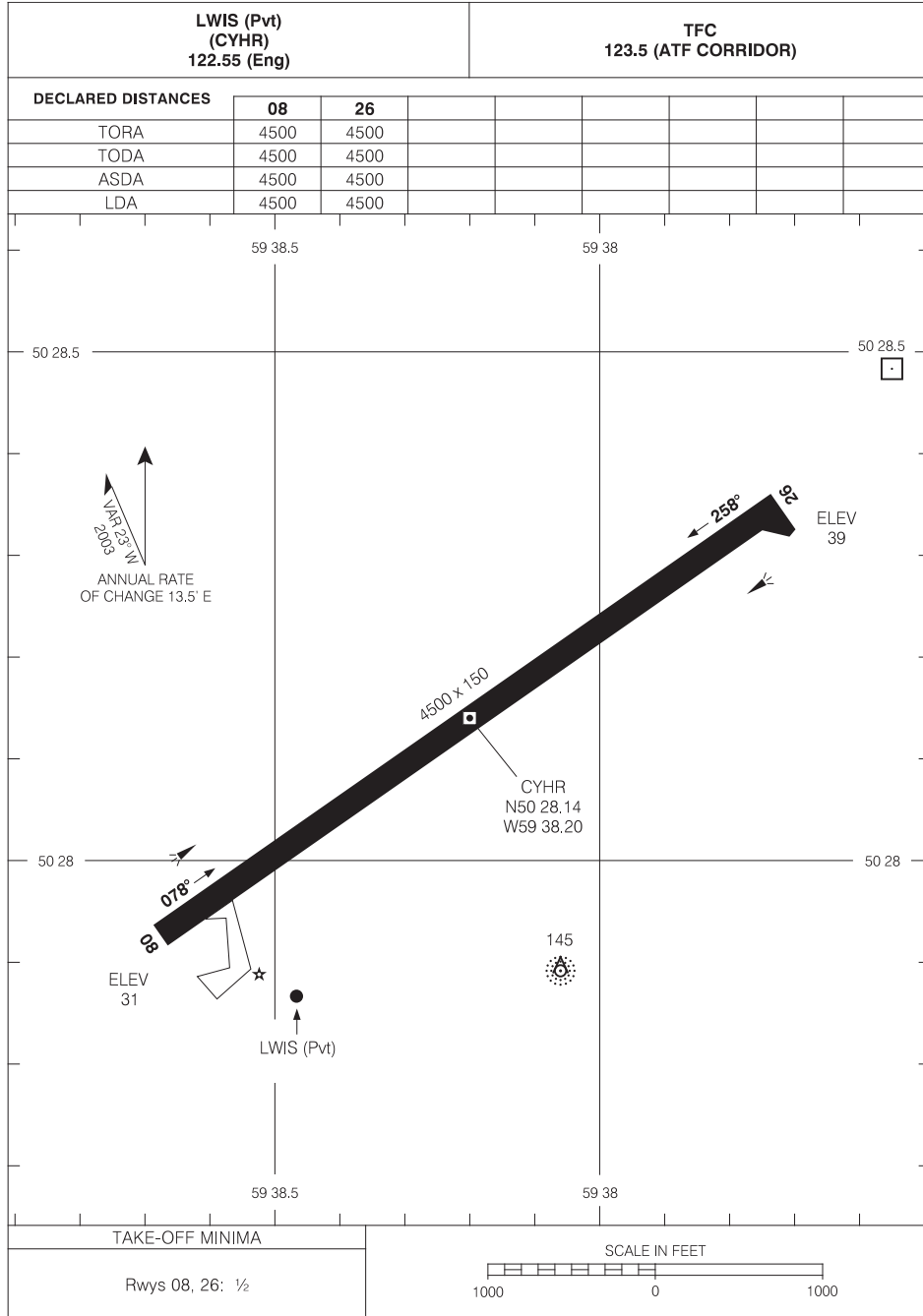
CHARLEVOIX QC  
CHARLEVOIX  
NAD83

VAL 20 NOV 08

CHANGEMENT: LWIS

# AERODROME CHART

CHEVERY  
CHEVERY QC



Source of Canadian Civil Aeronautical Data : © 2010 NAV CANADA All rights reserved

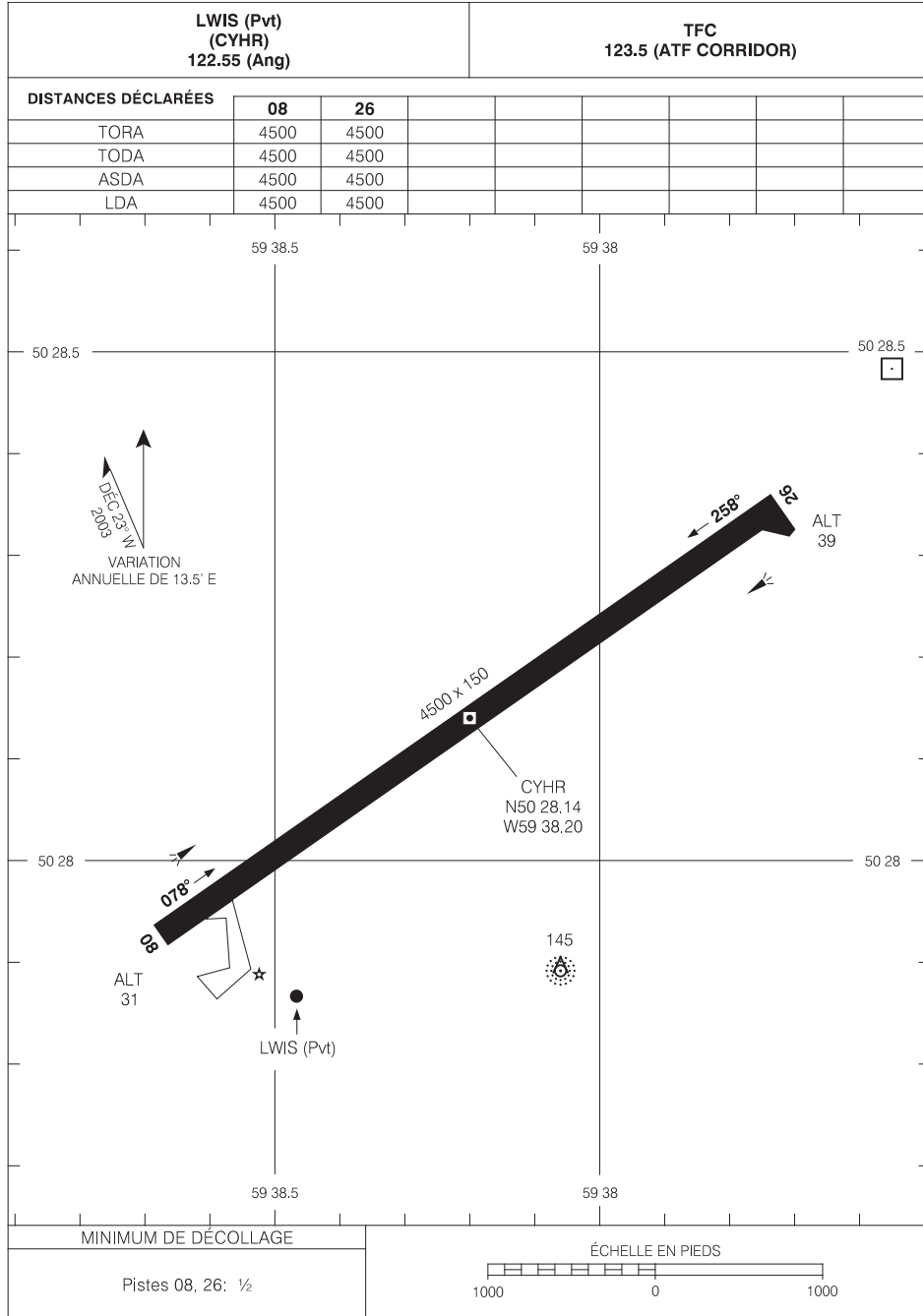
# AERODROME CHART

CHEVERY QC  
CHEVERY  
NAD83

EFF 20 NOV 08 CHANGE: LWIS

# CARTE D'AÉRODROME

CHEVERY  
CHEVERY QC



Source des données aéronautiques civiles pour le Canada: © 2010 NAV CANADA Tous droits réservés

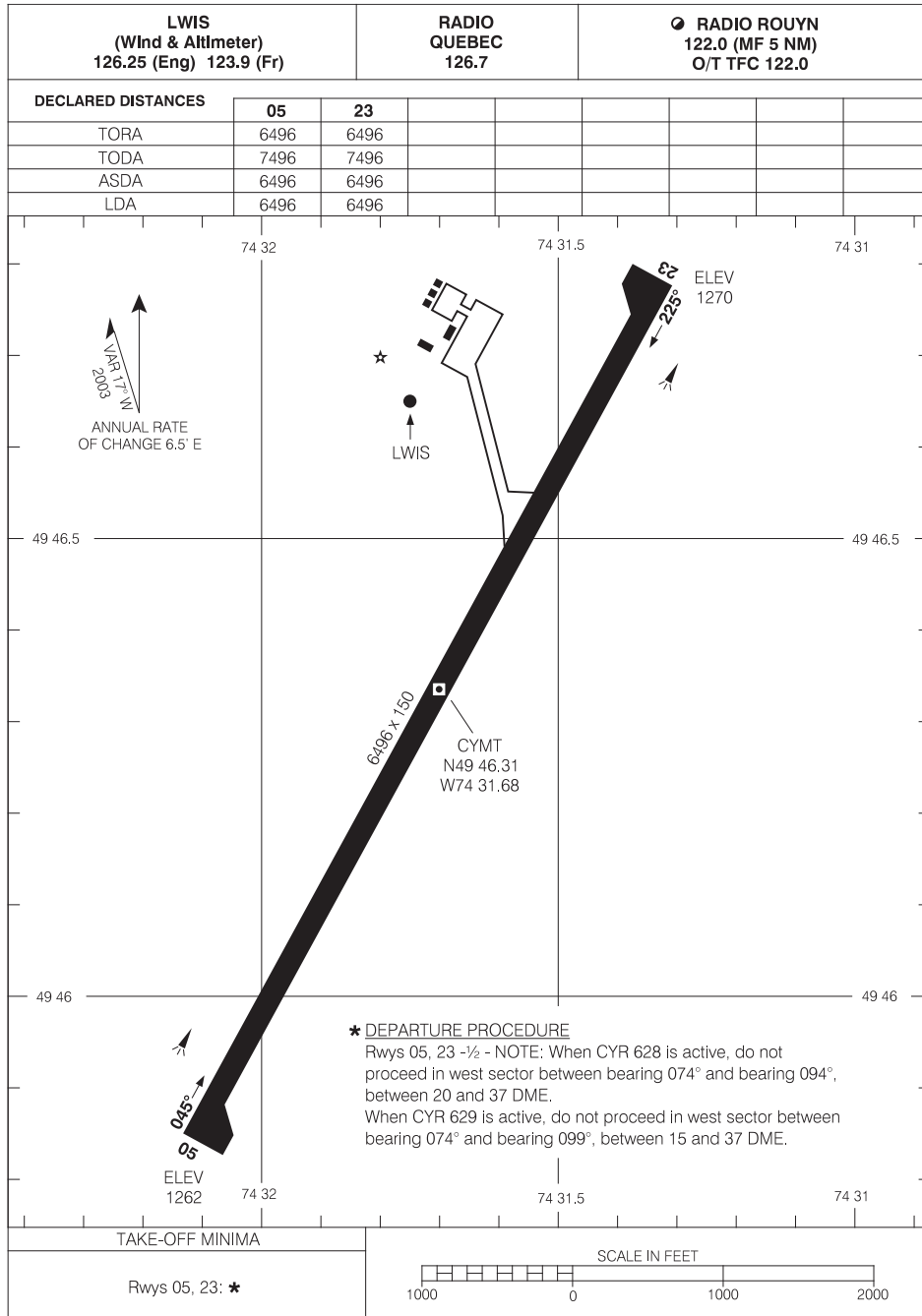
# CARTE D'AERODROME

CHEVERY QC  
CHEVERY  
NAD83

VAL 20 NOV 08      CHANGEMENT: LWIS

# AERODROME CHART

CHIBOUGAMAU/CHAPAIS  
CHIBOUGAMAU QC



# AERODROME CHART

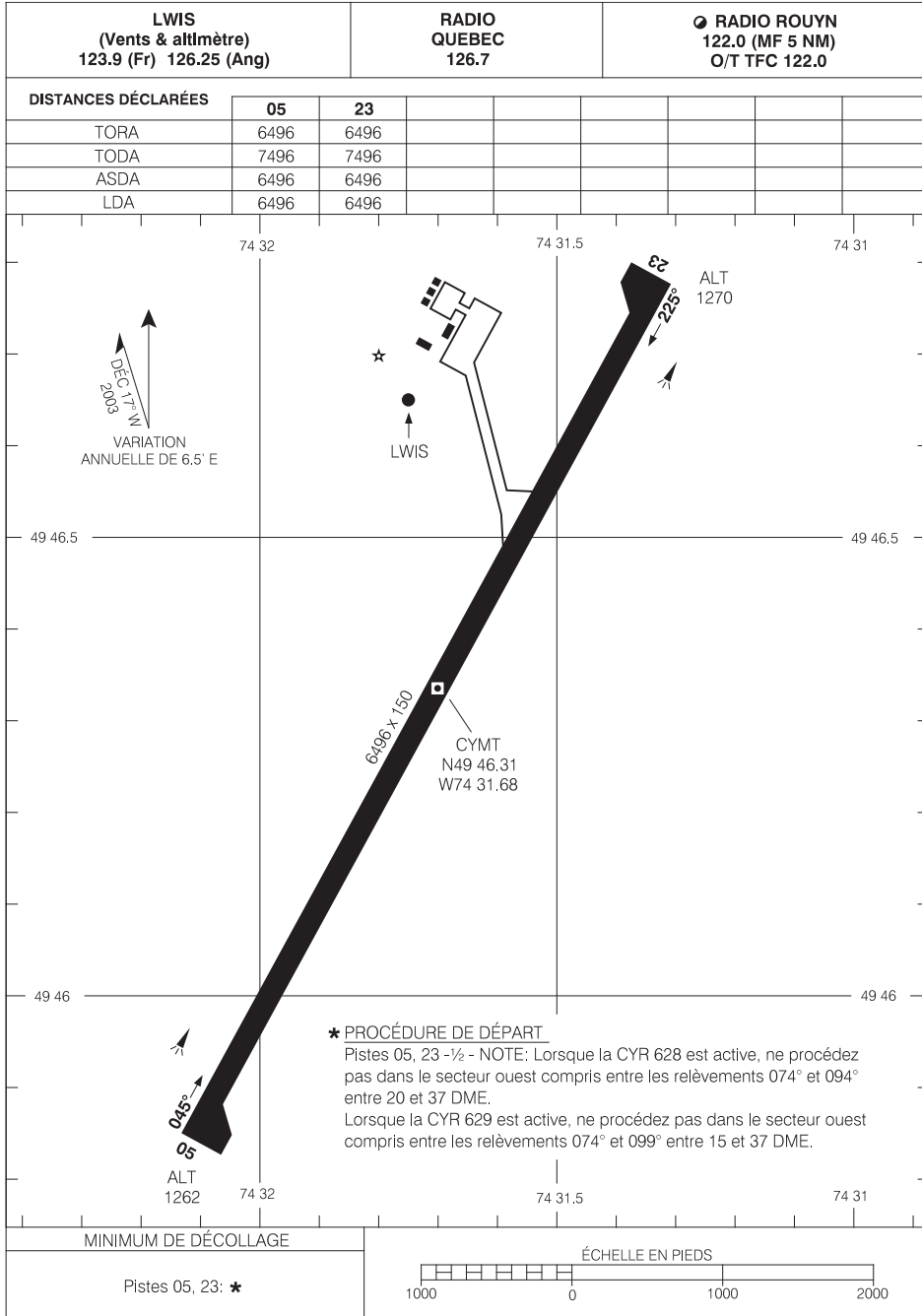
CHIBOUGAMAU QC  
CHIBOUGAMAU/CHAPAIS  
NAD83

EFF 20 NOV 08 CHANGE: AWOS changed to LWIS



# CARTE D'AÉRODROME

CHIBOUGAMAU/CHAPAIS  
CHIBOUGAMAU QC



# CARTE D'AERODROME

CHIBOUGAMAU QC  
CHIBOUGAMAU/CHAPAIS  
NAD83

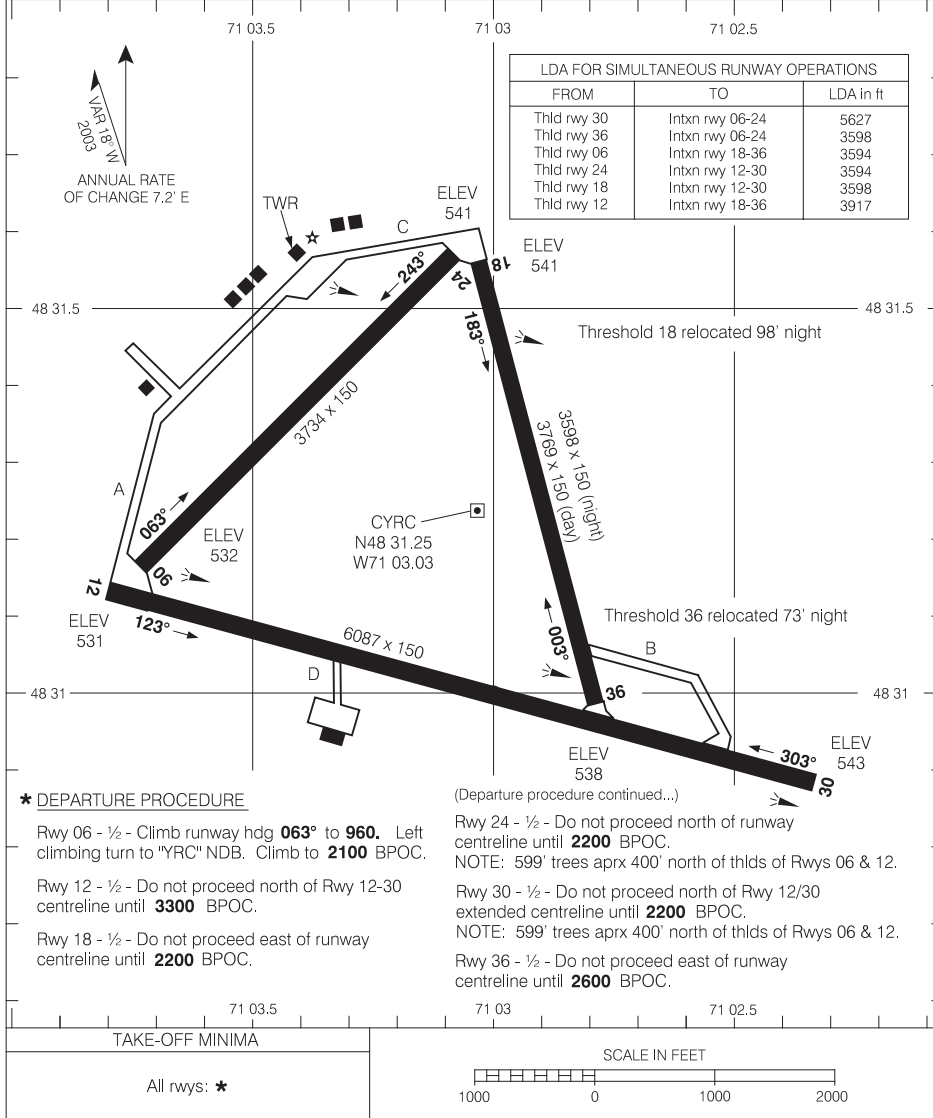
VAL 20 NOV 08      CHANGEMENT: AWOS changé à LWIS

# AERODROME CHART

CHICOUTIMI/ST-HONORÉ  
ST-HONORÉ QC

ATIS 134.8 (Eng) 124.95 (Fr)	GND 121.9	TWR 118.4 O/T TFC 118.4 (ATF 5 NM)	DEP BAGOTVILLE TML 127.2 227.6
------------------------------------	--------------	--	--------------------------------------

DECLARED DISTANCES	NIGHT							
	06	24	12	30	18	36	18	36
TORA	3734	3734	6087	6087	3769	3769	3598	3598
TODA	4734	4734	7087	7087	4769	4769	3598	3598
ASDA	3911	4002	6087	6087	4002	3949	3598	3598
LDA	3734	3734	6087	6087	3769	3769	3598	3598



Source of Canadian Civil Aeronautical Data : © 2010 NAV CANADA All rights reserved

# AERODROME CHART

ST-HONORÉ QC  
CHICOUTIMI/ST-HONORÉ  
NAD83

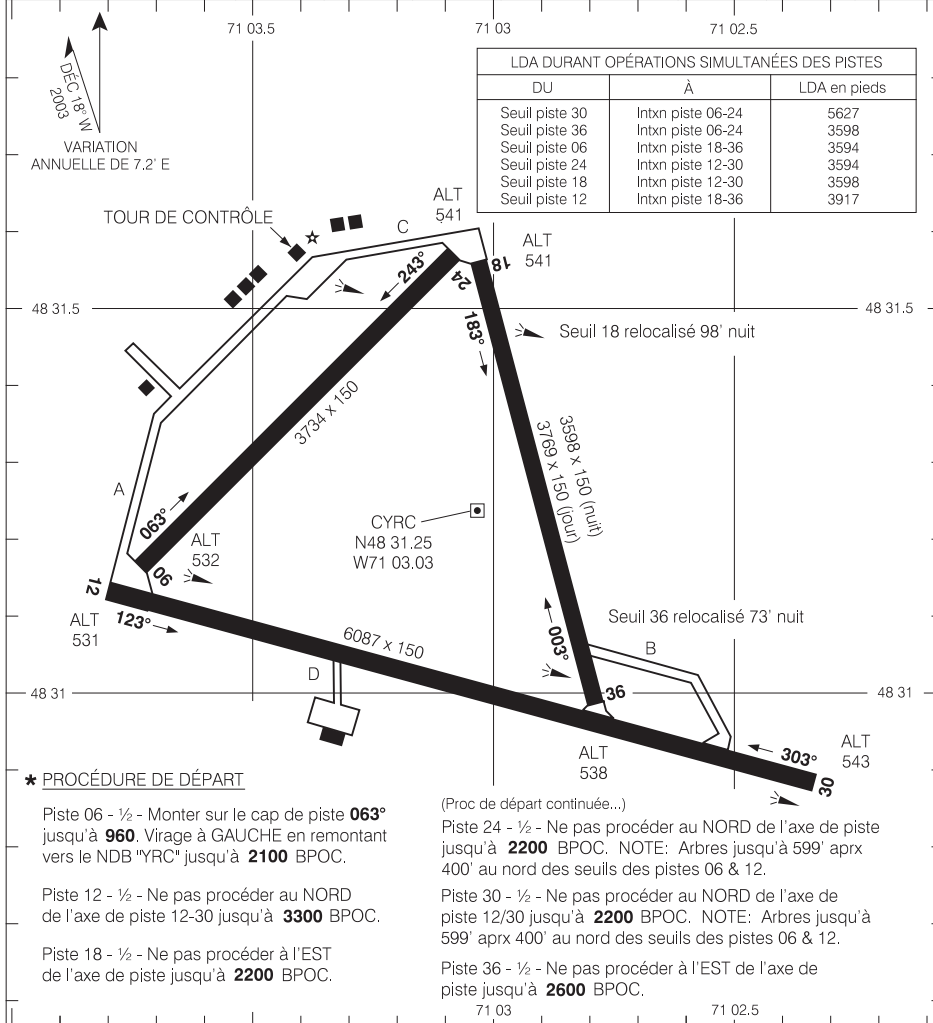
EFF 27 AUG 09 CHANGE: TWR frequency deleted

# CARTE D'AÉRODROME

CHICOUTIMI/ST-HONORÉ  
ST-HONORÉ QC

ATIS 124.95 (Fr) 134.8 (Ang)	☉ SOL 121.9	☉ TOUR 118.4 O/T TFC 118.4 (ATF 5 NM)	DÉP TML BAGOTVILLE 127.2 227.6
------------------------------------	----------------	---	--------------------------------------

DISTANCES DÉCLARÉES	NUIT							
	06	24	12	30	18	36	18	36
TORA	3734	3734	6087	6087	3769	3769	3598	3598
TODA	4734	4734	7087	7087	4769	4769	3598	3598
ASDA	3911	4002	6087	6087	4002	3949	3598	3598
LDA	3734	3734	6087	6087	3769	3769	3598	3598



Source des données aéronautiques civiles pour le Canada. © 2010 NAV CANADA Tous droits réservés

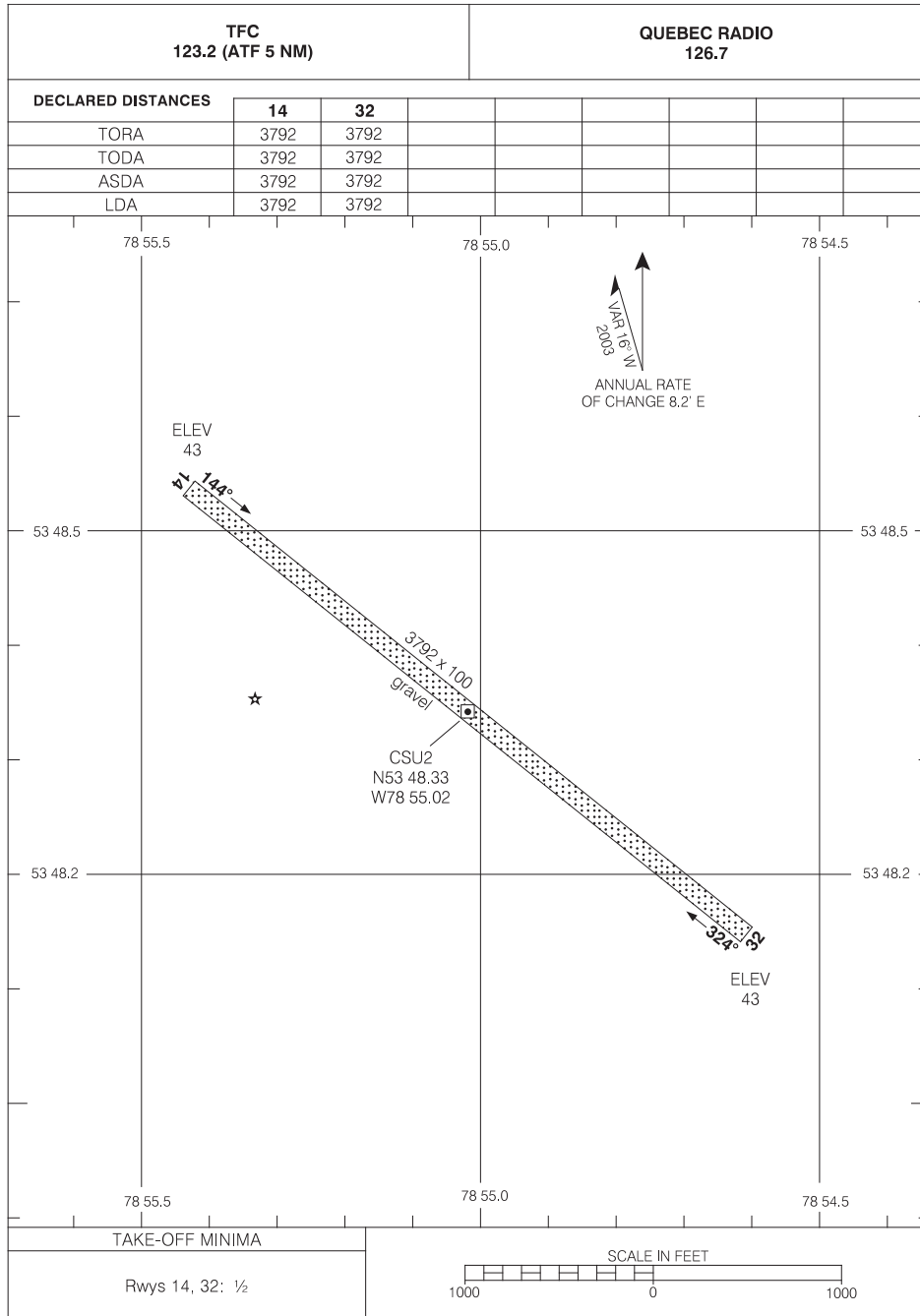
# CARTE D'AERODROME

ST-HONORÉ QC  
CHICOUTIMI/ST-HONORÉ  
NAD83

VAL 13 AVR 06      CHANGEMENT: Éditorial

# AERODROME CHART

CHISASIBI  
CHISASIBI QC



Source of Canadian Civil Aeronautical Data : © 2010 NAV CANADA All rights reserved

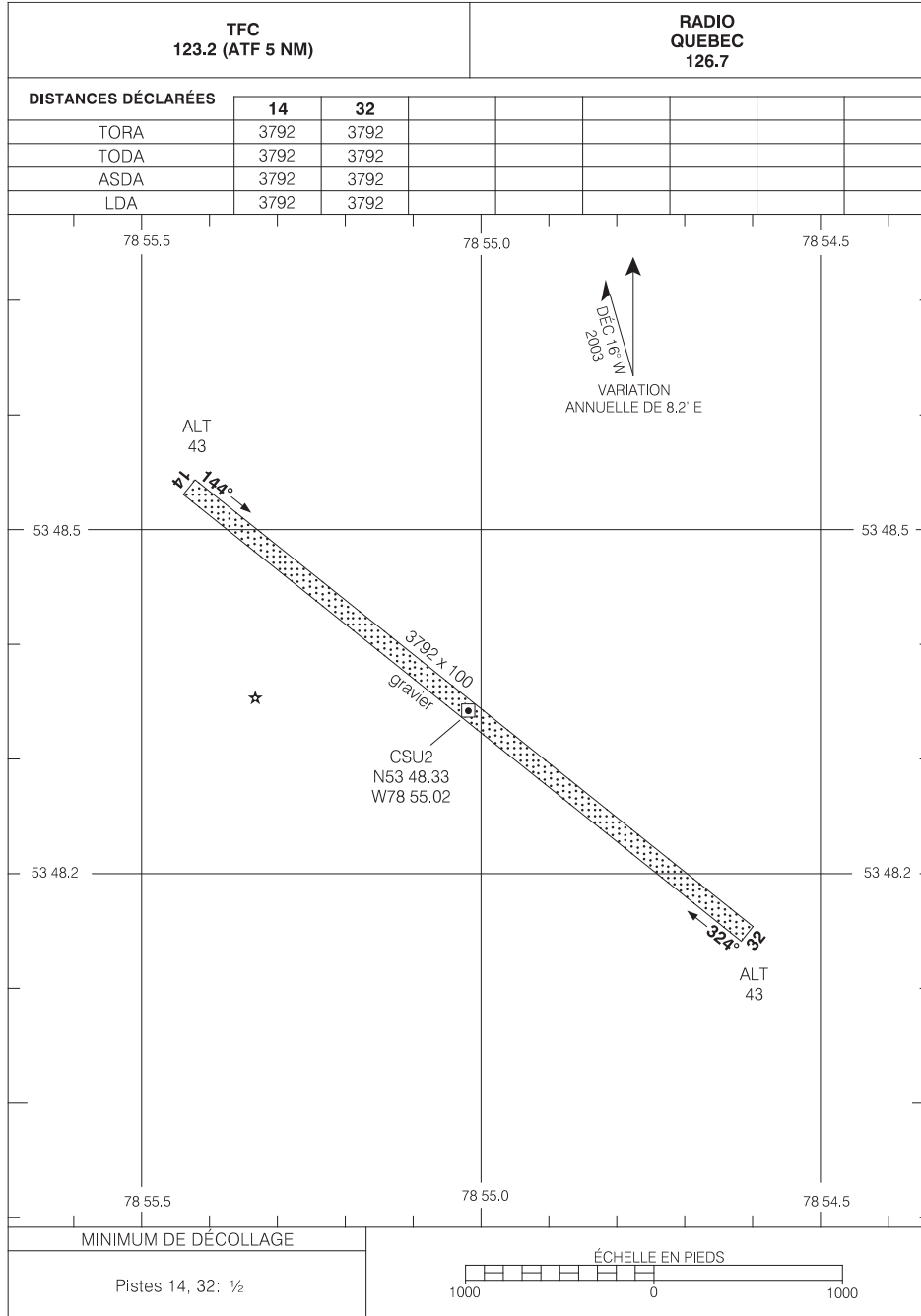
# AERODROME CHART

CHISASIBI QC  
CHISASIBI  
NAD83

EFF 13 APR 06 CHANGE: Editorial

# CARTE D'AÉRODROME

CHISASIBI  
CHISASIBI QC



Source des données aéronautiques civiles pour le Canada: © 2010 NAV CANADA Tous droits réservés

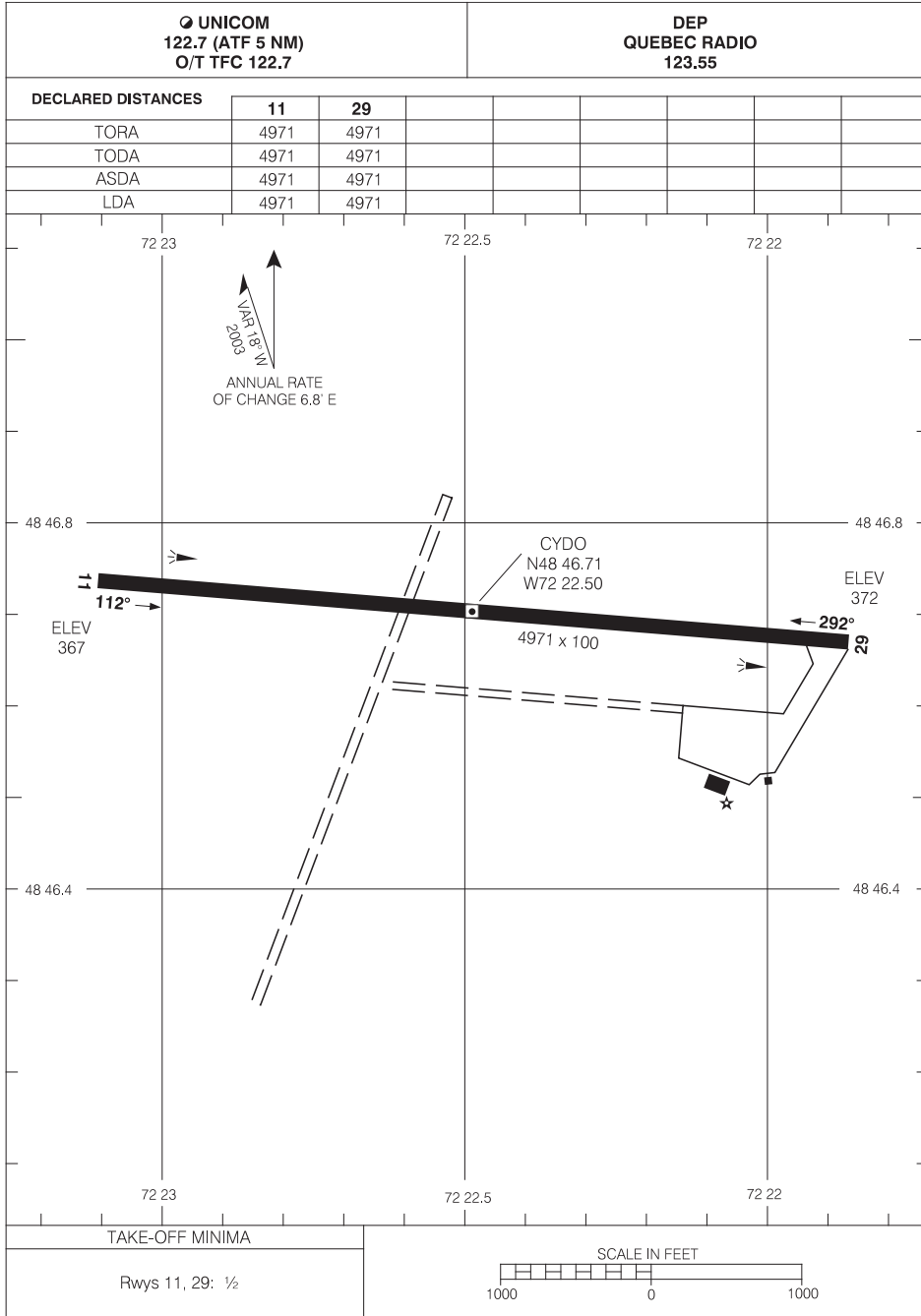
# CARTE D'AERODROME

CHISASIBI QC  
CHISASIBI  
NAD83

VAL 13 AVR 06      CHANGEMENT: Éditorial

# AERODROME CHART

DOLBEAU-ST-FÉLICIEN  
DOLBEAU-ST-FÉLICIEN QC



Source of Canadian Civil Aeronautical Data : © 2010 NAV CANADA All rights reserved

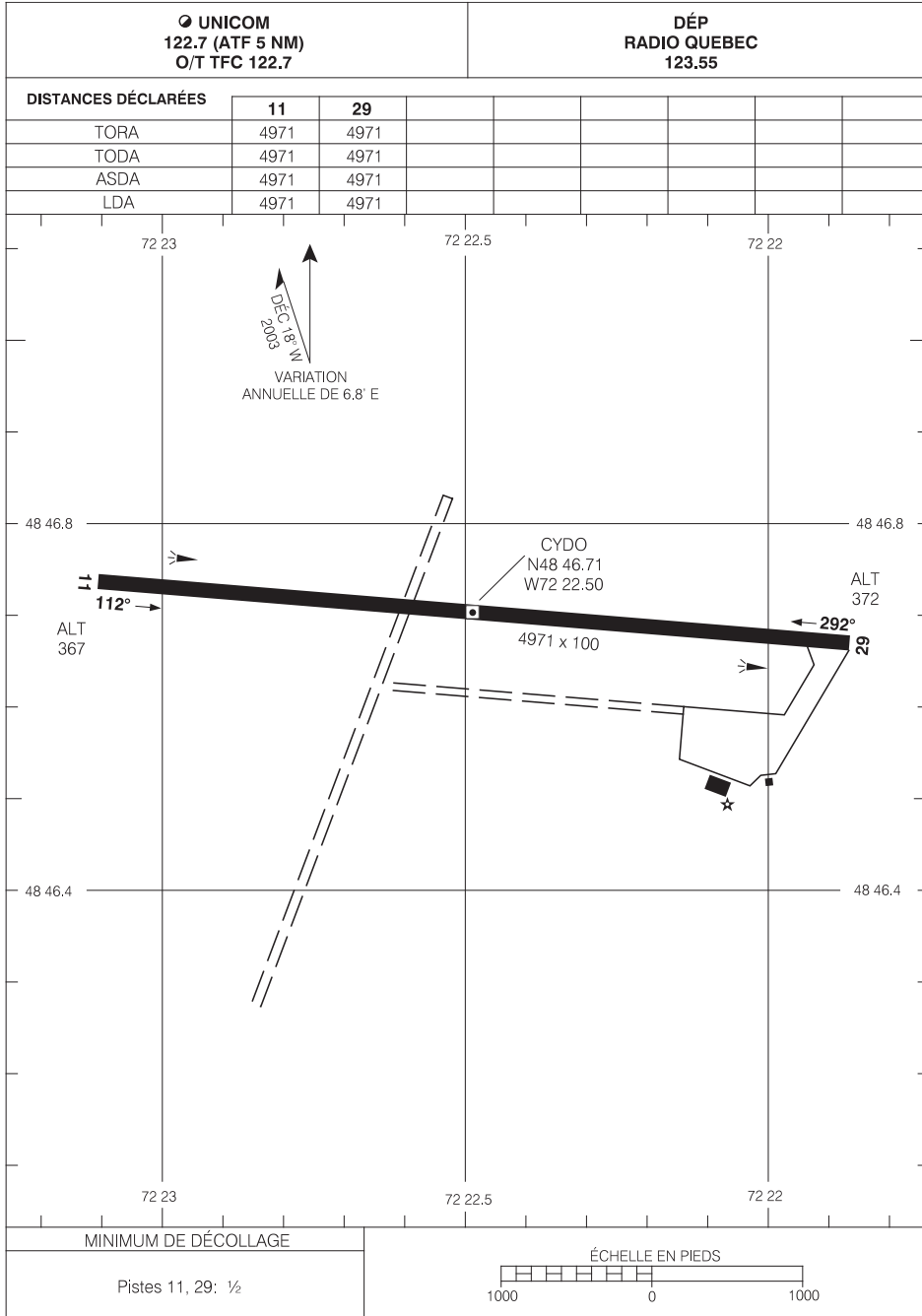
# AERODROME CHART

DOLBEAU-ST-FÉLICIEN QC  
DOLBEAU-ST-FÉLICIEN  
NAD83

EFF 5 JUL 07 CHANGE: DEP freq

# CARTE D'AÉRODROME

DOLBEAU-ST-FÉLICIEN  
DOLBEAU-ST-FÉLICIEN QC



Source des données aéronautiques civiles pour le Canada: © 2010 NAV CANADA Tous droits réservés

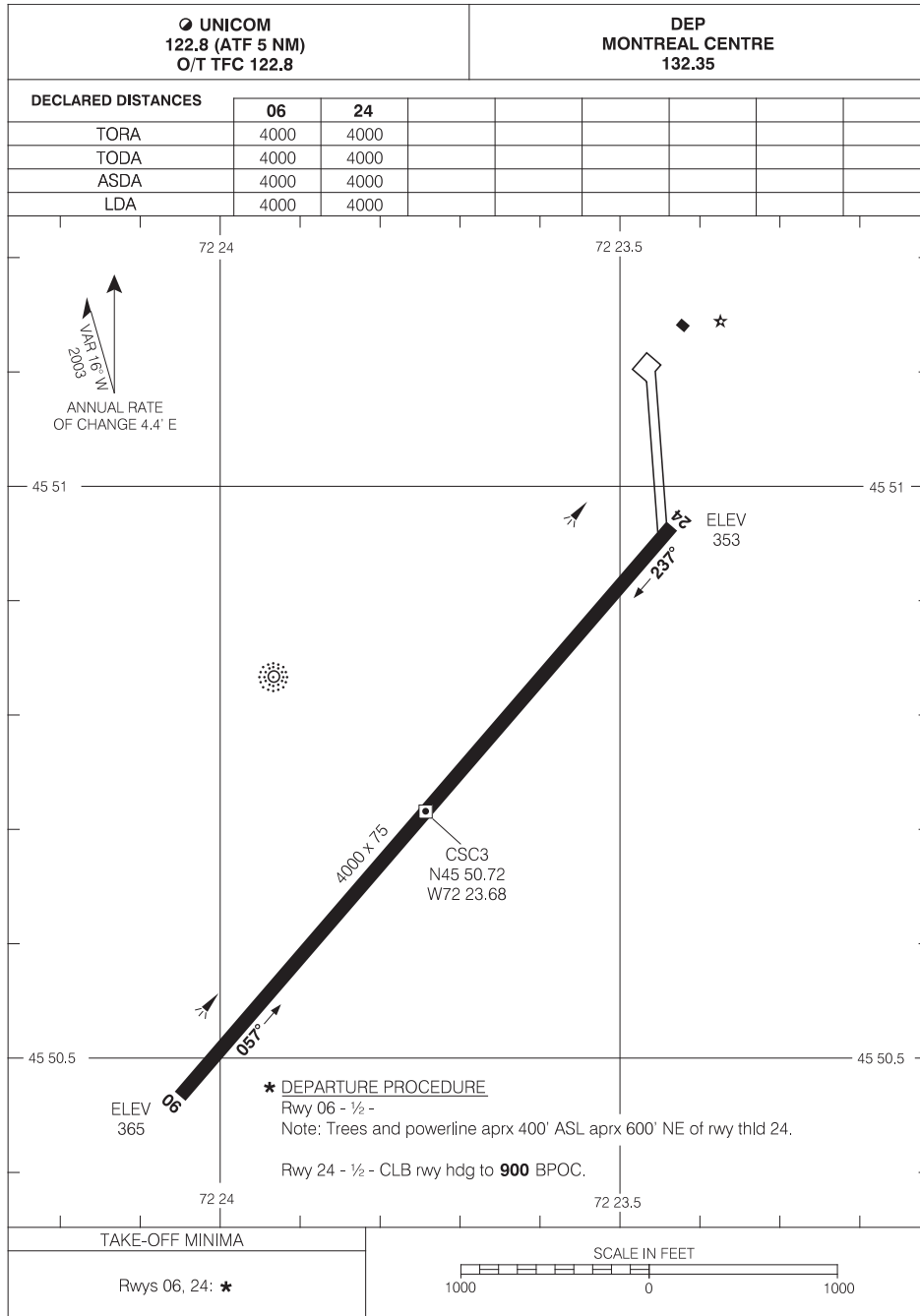
# CARTE D'AERODROME

DOLBEAU-ST-FÉLICIEN QC  
DOLBEAU-ST-FÉLICIEN  
NAD83

VAL 5 JUIL 07      CHANGEMENT: Fréq DEP

# AERODROME CHART

DRUMMONDVILLE  
ST-NICÉPHORE QC



Source of Canadian Civil Aeronautical Data : © 2010 NAV CANADA All rights reserved

# AERODROME CHART

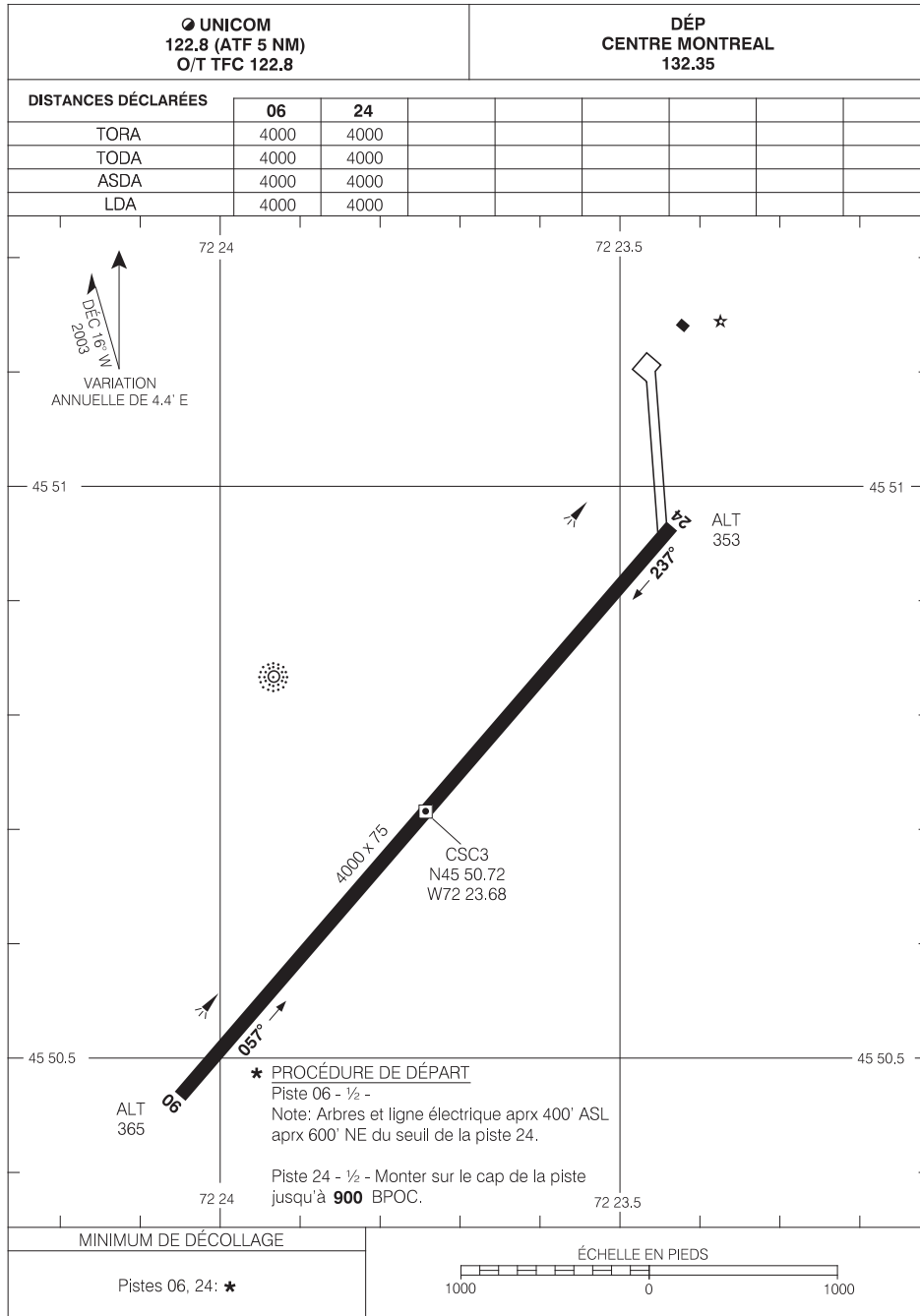
ST-NICÉPHORE QC  
DRUMMONDVILLE  
NAD83

EFF 18 JAN 07      CHANGE: Departure procedure; take-off minima



# CARTE D'AÉRODROME

DRUMMONDVILLE  
ST-NICÉPHORE QC



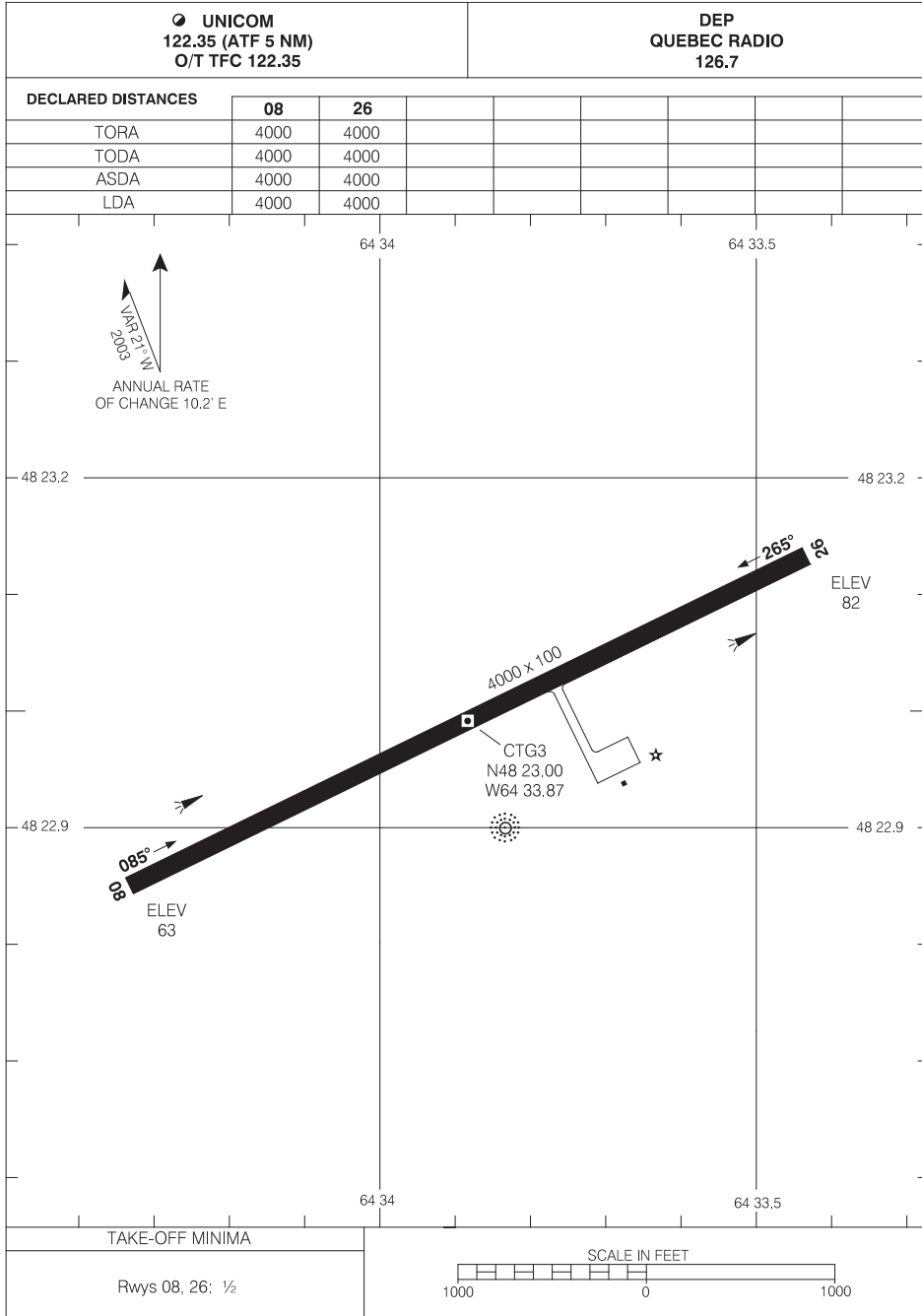
# CARTE D'AERODROME

ST-NICÉPHORE QC  
DRUMMONDVILLE  
NAD83

VAL 18 JAN 07      CHANGEMENT: Proc de départ; Minimum de décollage

# AERODROME CHART

DU ROCHER-PERCÉ (PABOK)  
GRANDE-RIVIÈRE QC



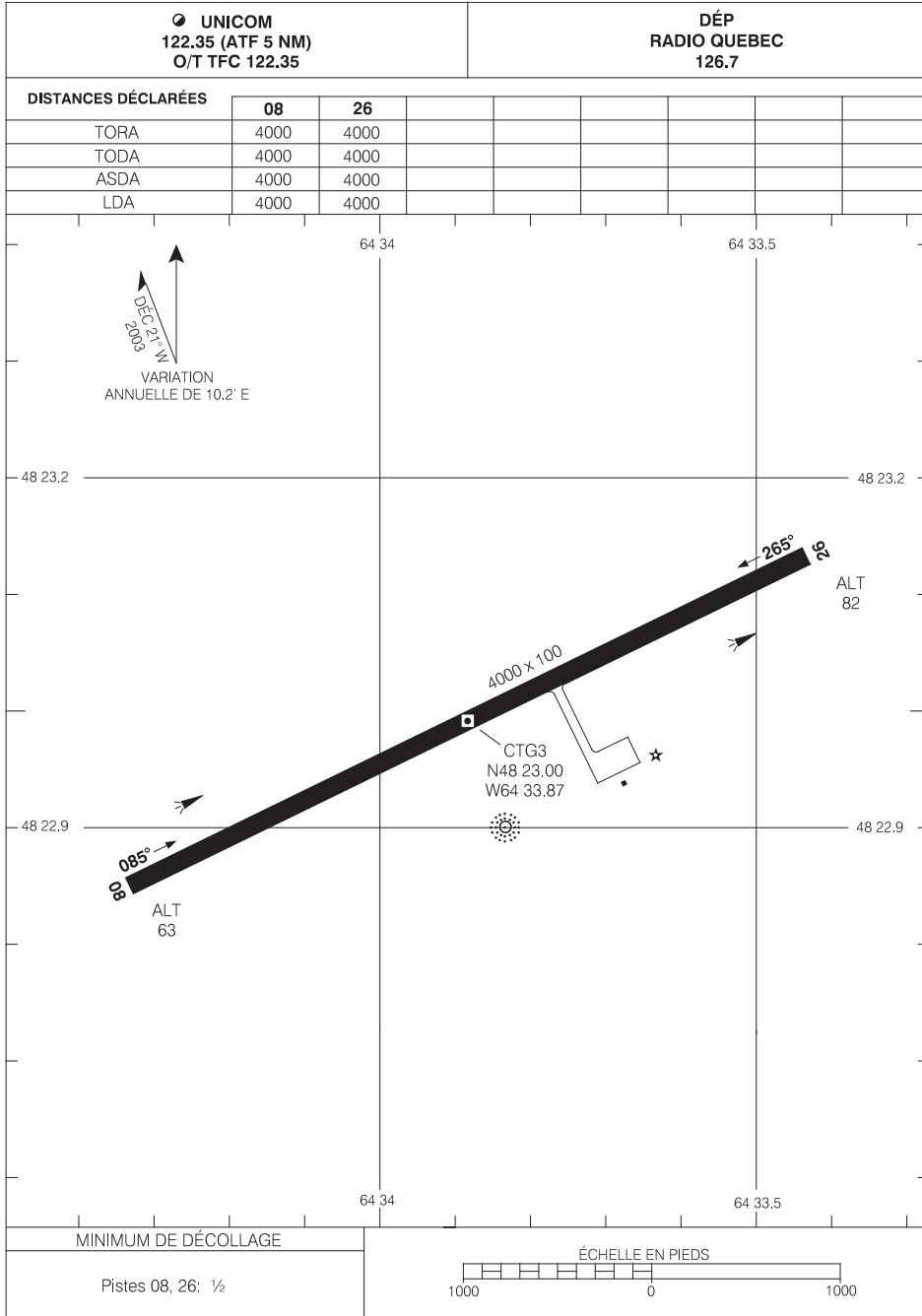
# AERODROME CHART

GRANDE-RIVIÈRE QC  
DU ROCHER-PERCÉ (PABOK)  
NAD83

EFF 25 OCT 07 CHANGE: Rwy designators

# CARTE D'AÉRODROME

DU ROCHER-PERCÉ (PABOK)  
GRANDE-RIVIÈRE QC



Source des données aéronautiques civiles pour le Canada © 2010 NAV CANADA Tous droits réservés

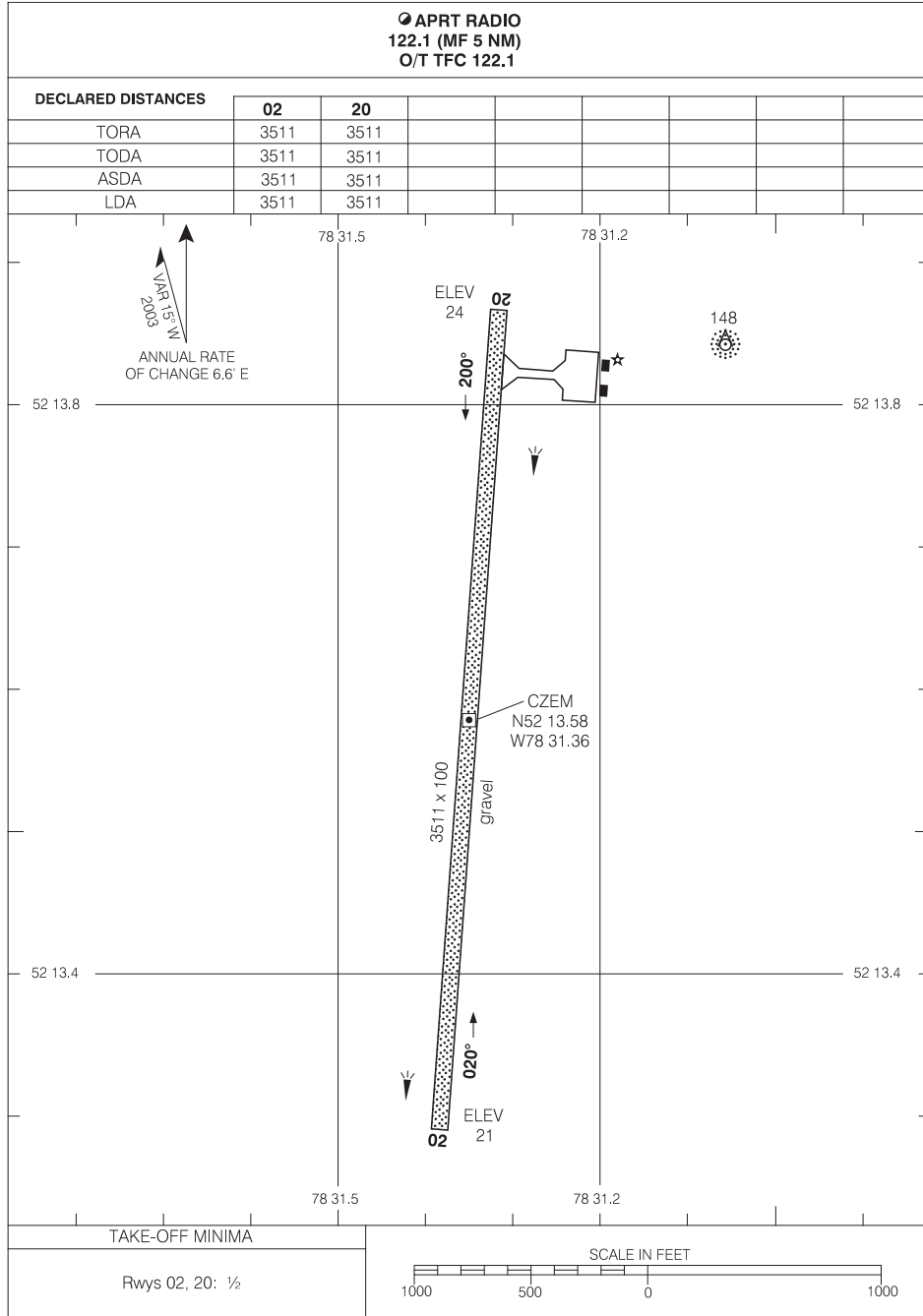
# CARTE D'AERODROME

GRANDE-RIVIÈRE QC  
DU ROCHER-PERCÉ (PABOK)  
NAD83

VAL 20 DÉC 07    CHANGEMENT: Éditorial

# AERODROME CHART

EASTMAIN RIVER  
EASTMAIN QC



Source of Canadian Civil Aeronautical Data : © 2010 NAV CANADA All rights reserved

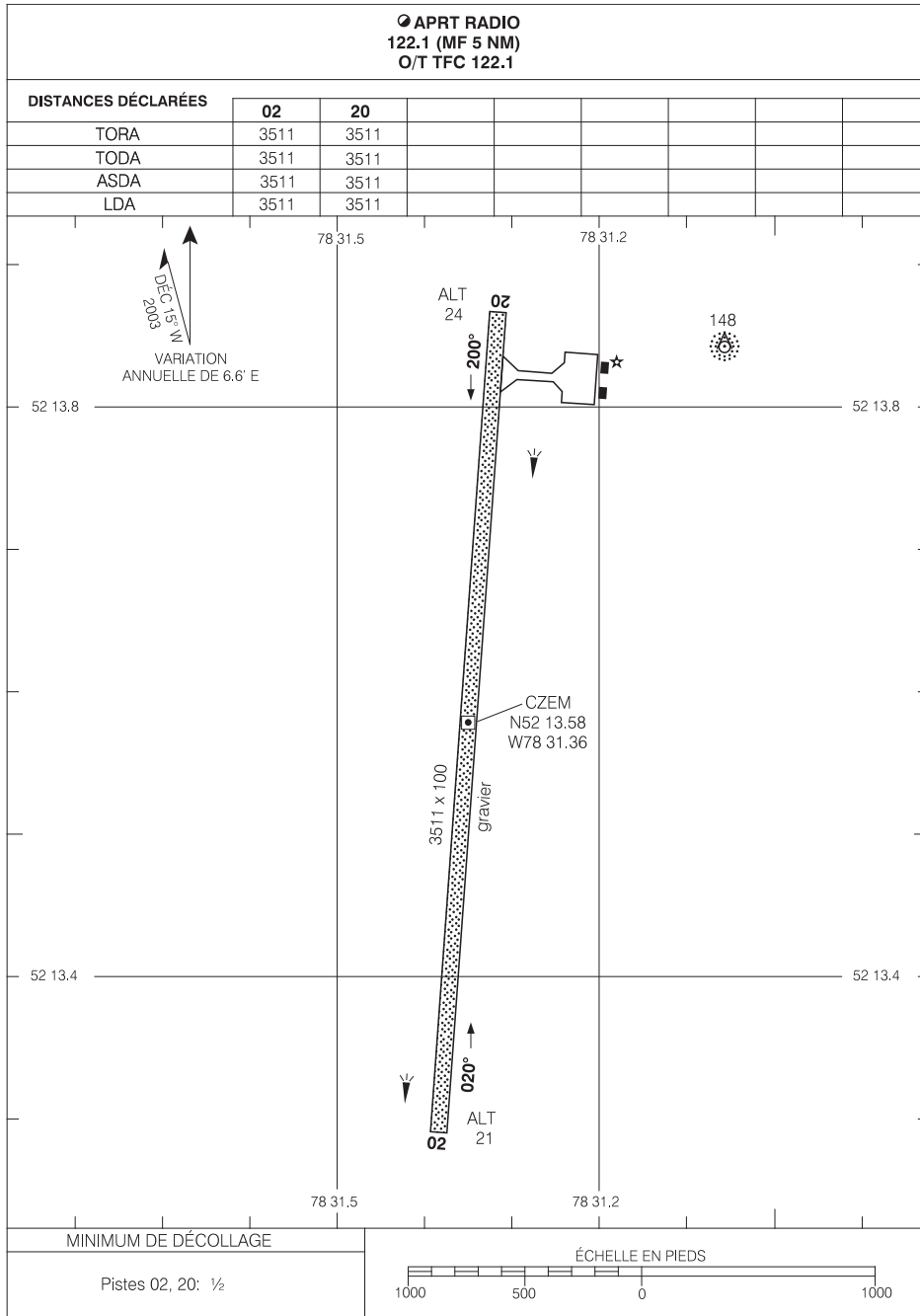
# AERODROME CHART

EASTMAIN QC  
EASTMAIN RIVER  
NAD83

EFF 13 APR 06 CHANGE: Editorial

# CARTE D'AÉRODROME

EASTMAIN RIVER  
EASTMAIN QC



Source des données aéronautiques civiles pour le Canada: © 2010 NAV CANADA Tous droits réservés

# CARTE D'AERODROME

EASTMAIN QC  
EASTMAIN RIVER  
NAD83

VAL 13 AVR 06      CHANGEMENT: Éditorial

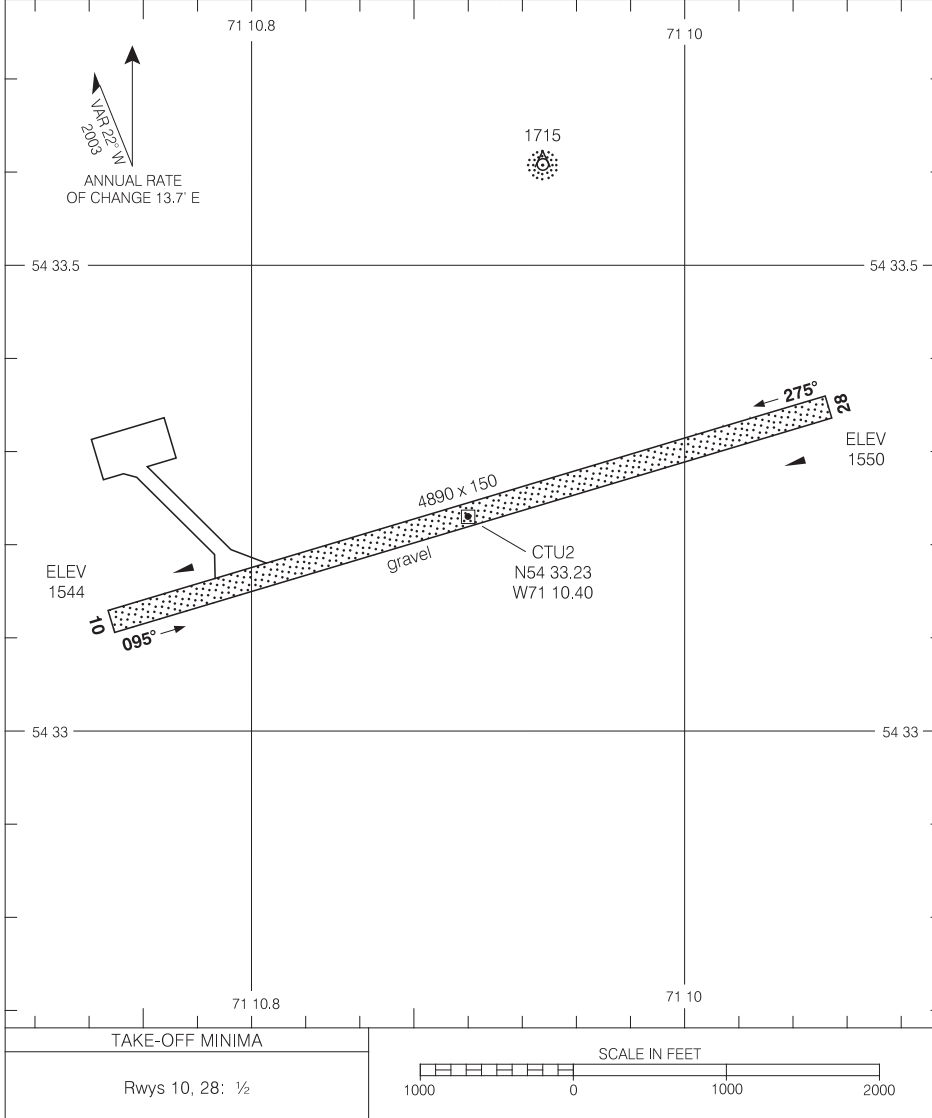
# AERODROME CHART

FONTANGES  
FONTANGES QC

UNICOM (AU)  
123.0 (ATF 5 NM)  
O/T TFC 123.0

**DECLARED DISTANCES**

	10	28						
TORA	4890	4890						
TODA	4890	4890						
ASDA	4890	4890						
LDA	4890	4890						



Source of Canadian Civil Aeronautical Data : © 2010 NAV CANADA All rights reserved

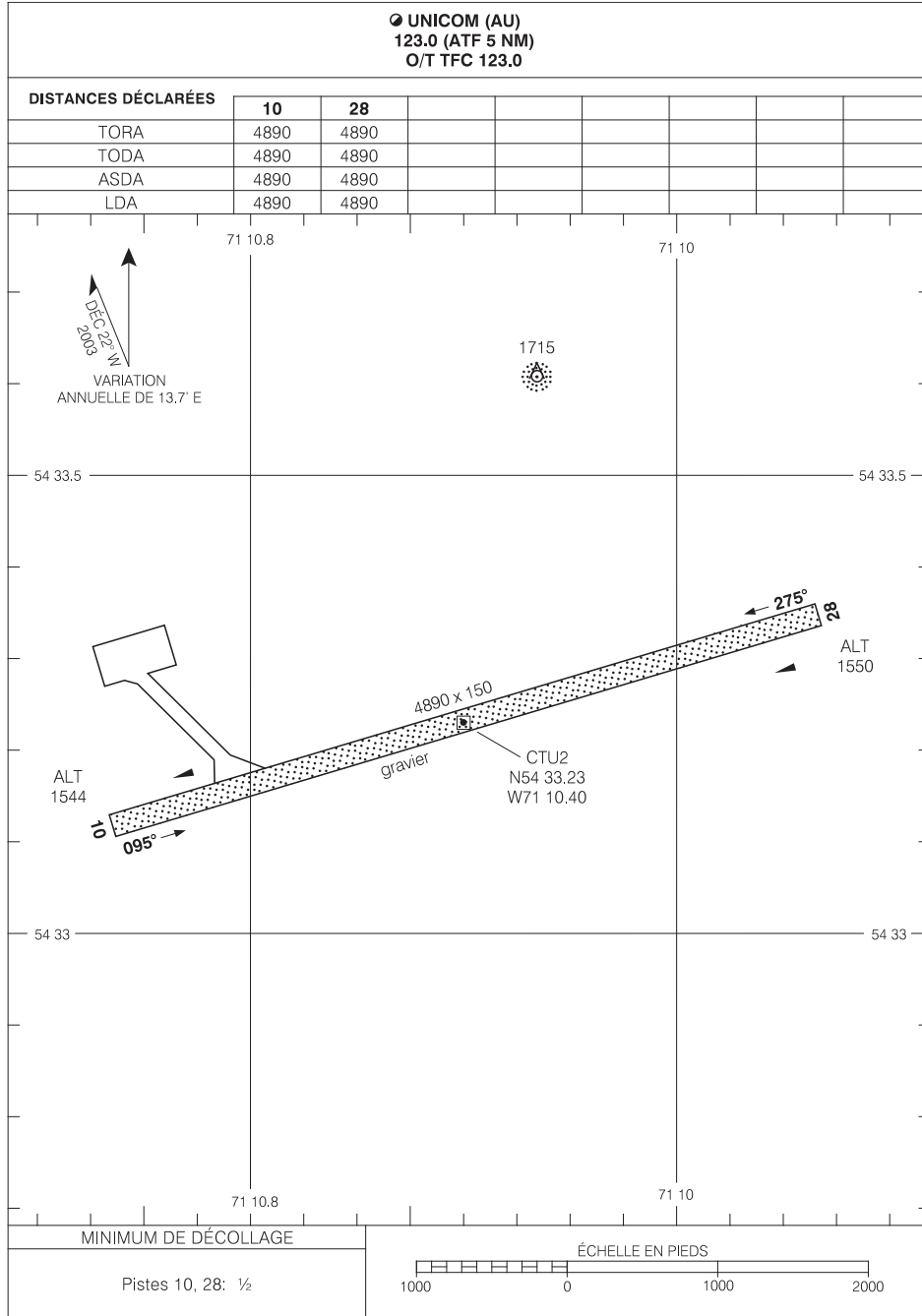
# AERODROME CHART

FONTANGES QC  
FONTANGES  
NAD83

EFF 13 APR 06 CHANGE: Thld elev added

# CARTE D'AÉRODROME

FONTANGES  
FONTANGES QC



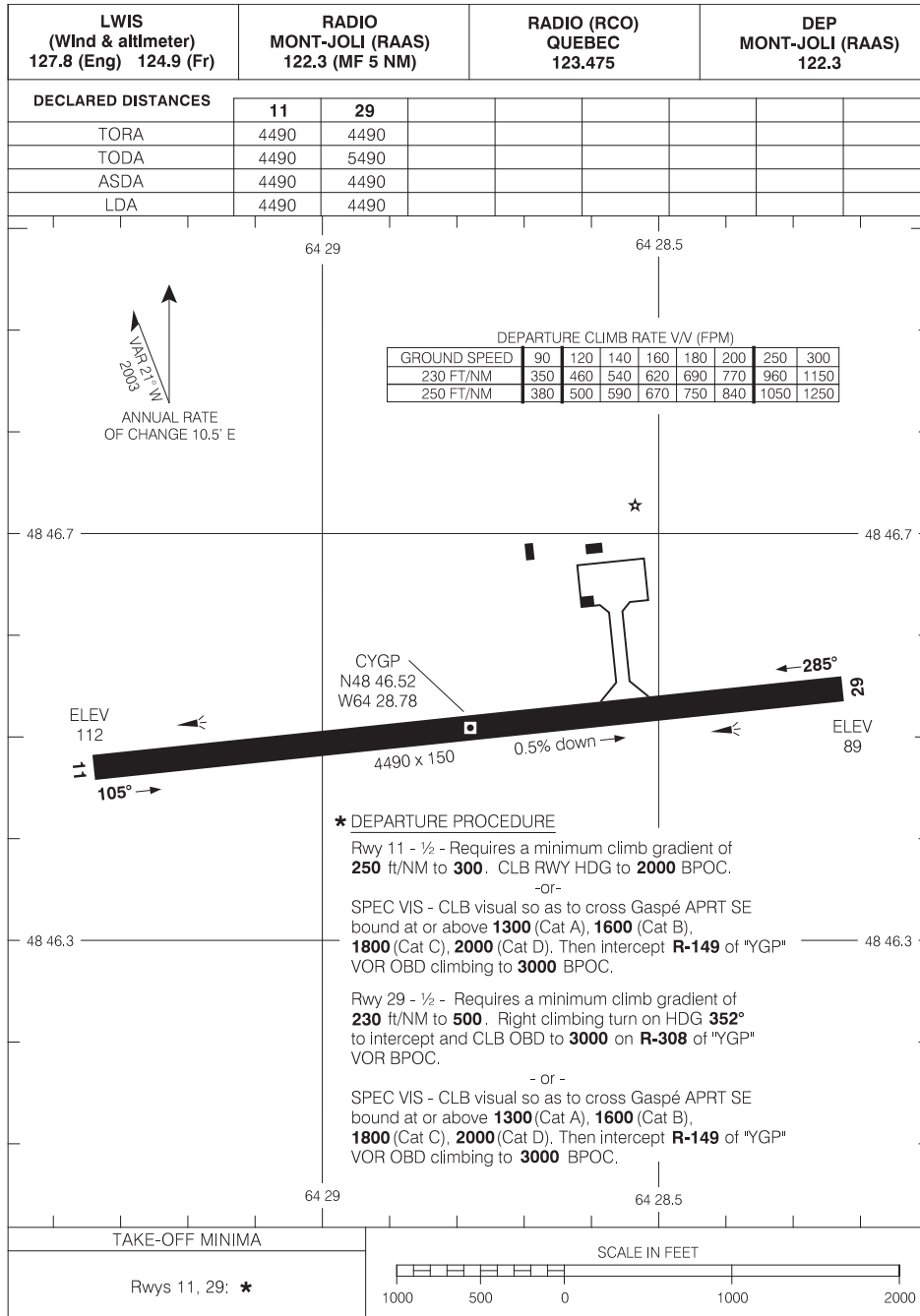
# CARTE D'AERODROME

FONTANGES QC  
FONTANGES  
NAD83

VAL 13 AVR 06      CHANGEMENT: Alt des seuils ajoutées

# AERODROME CHART

GASPÉ  
GASPÉ QC



# AERODROME CHART

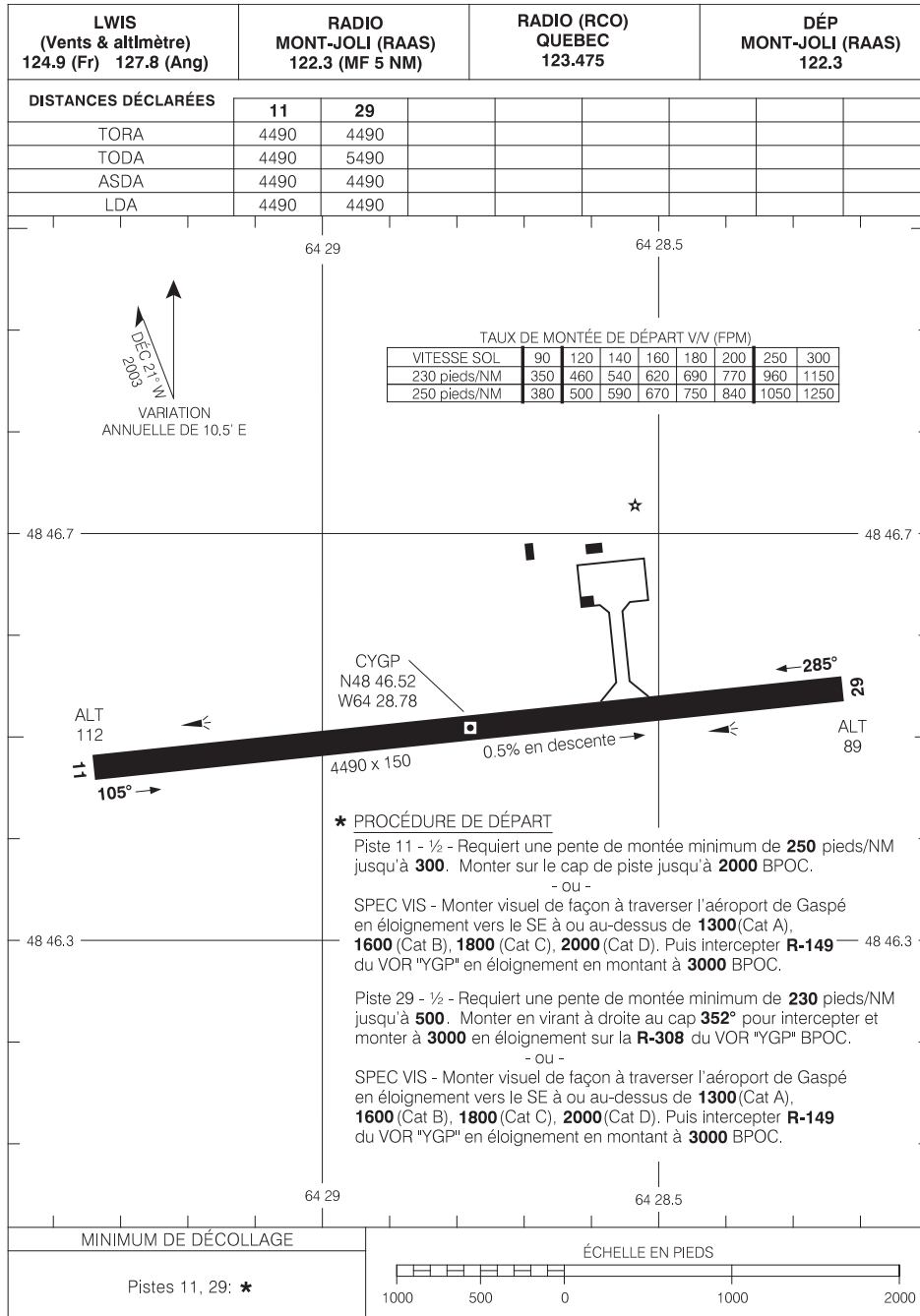
GASPÉ QC  
GASPÉ  
NAD83

EFF 20 NOV 08 CHANGE: COMM



# CARTE D'AÉRODROME

GASPÉ  
GASPÉ QC



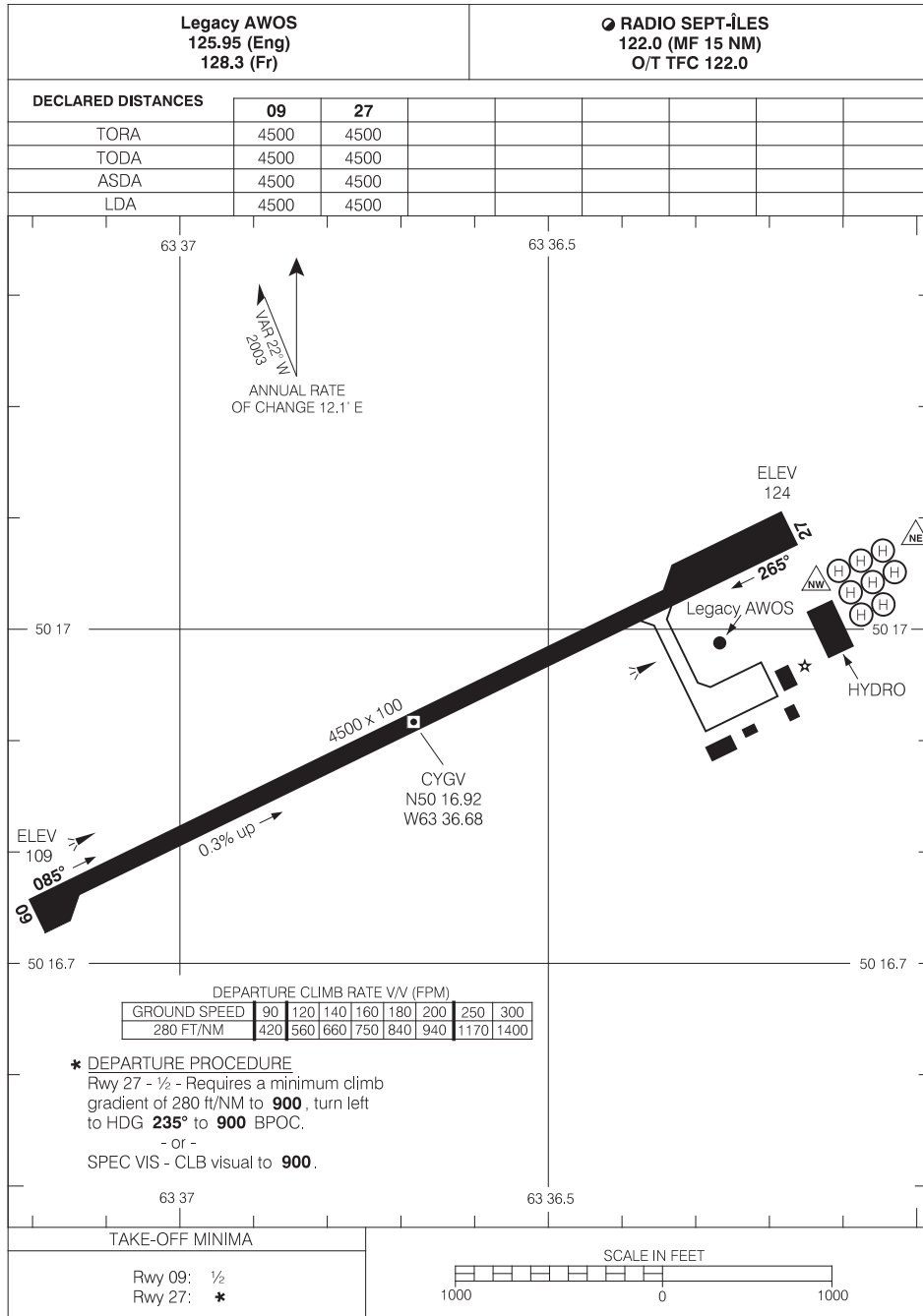
# CARTE D'AERODROME

GASPÉ QC  
GASPÉ  
NAD83

VAL 20 NOV 08      CHANGEMENT: COMM

# AERODROME CHART

HAVRE ST-PIERRE  
HAVRE ST-PIERRE QC



Source of Canadian Civil Aeronautical Data : © 2010 NAV CANADA All rights reserved

# AERODROME CHART

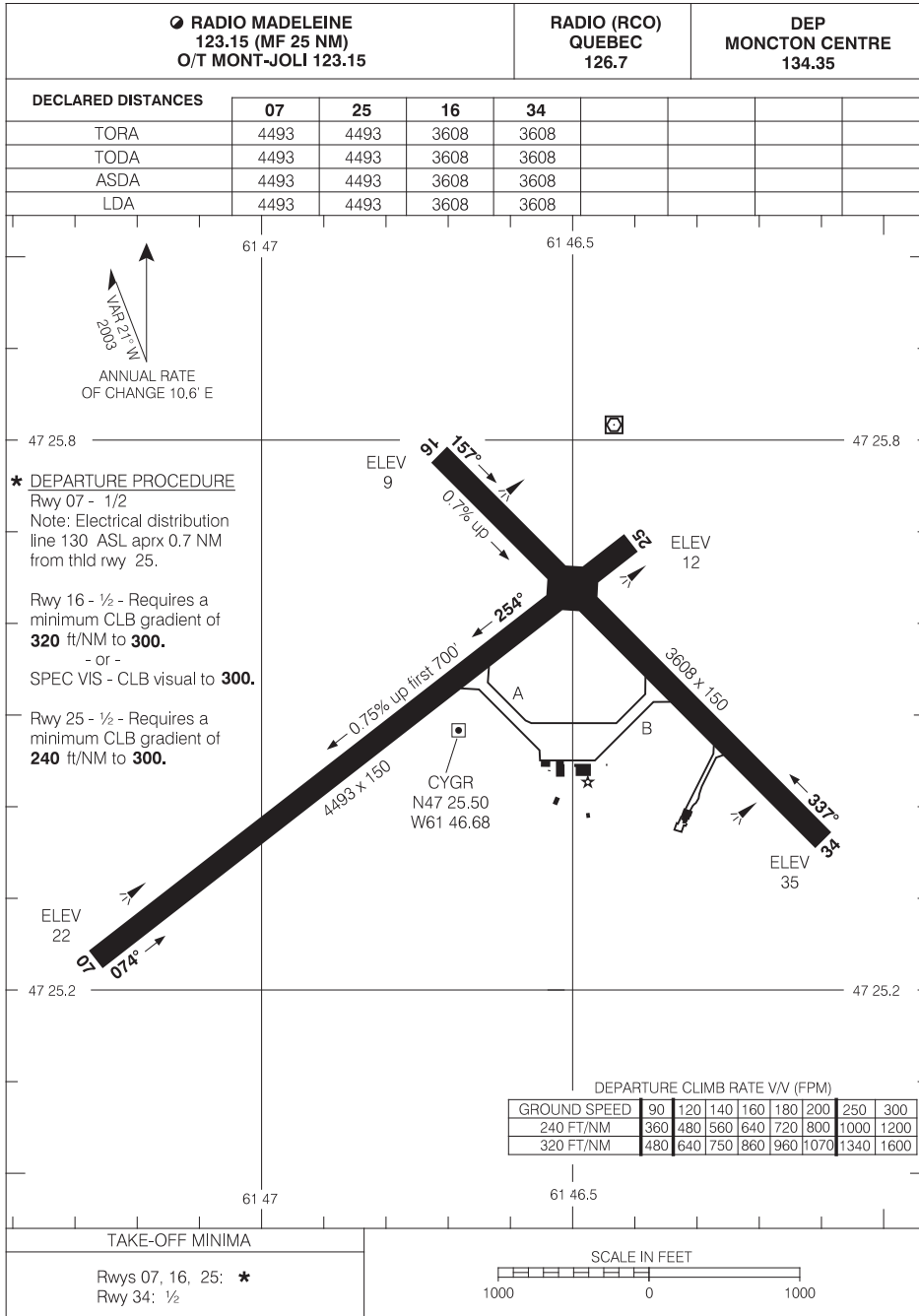
HAVRE ST-PIERRE QC  
HAVRE ST-PIERRE  
NAD83

EFF 20 NOV 08 CHANGE: AWOS



# AERODROME CHART

ÎLES-DE-LA-MADELEINE  
ÎLES-DE-LA-MADELEINE QC



# AERODROME CHART

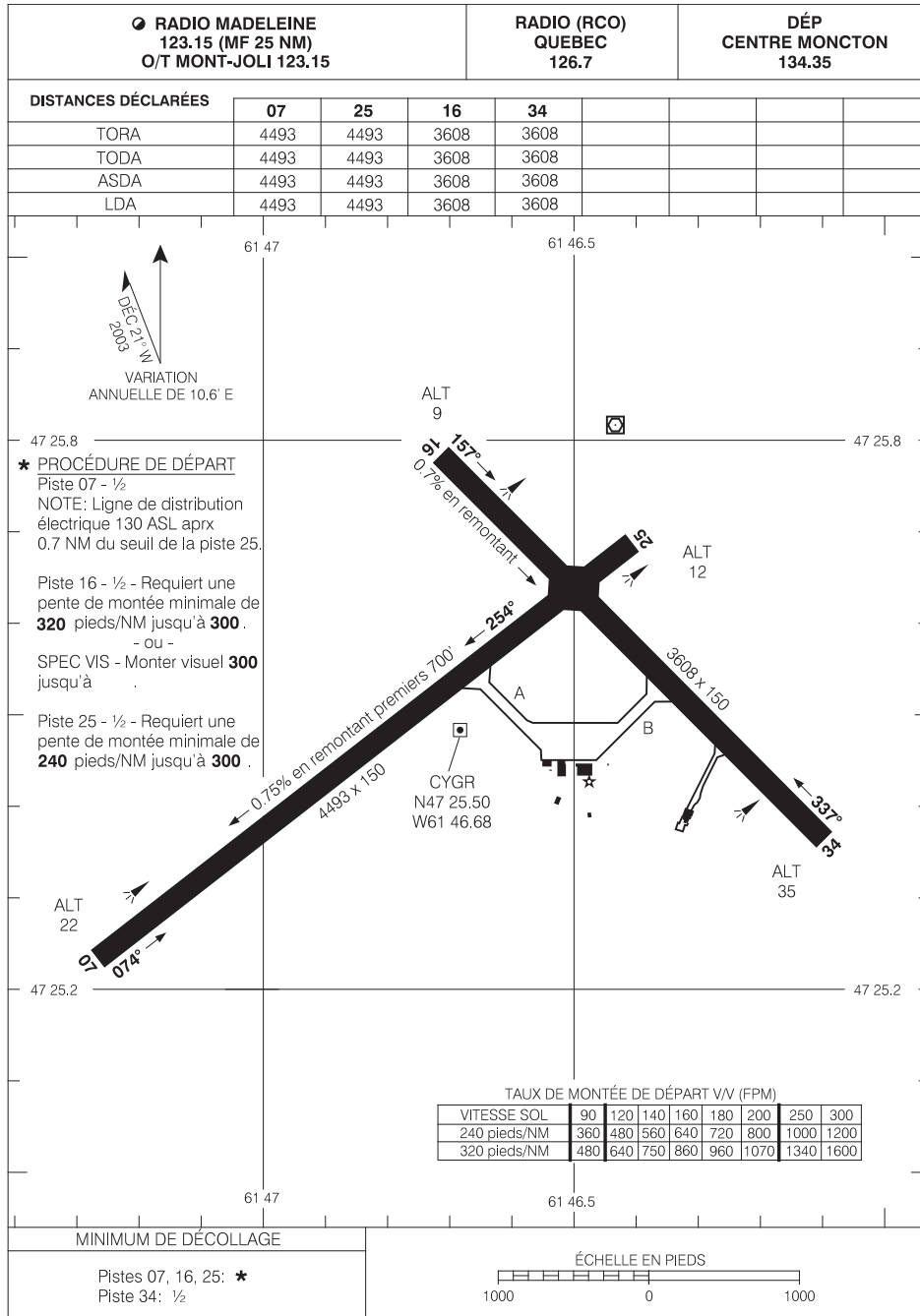
ÎLES-DE-LA-MADELEINE QC  
ÎLES-DE-LA-MADELEINE

EFF 27 AUG 09 CHANGE: Revised

NAD83

# CARTE D'AÉRODROME

ÎLES-DE-LA-MADELEINE  
ÎLES-DE-LA-MADELEINE QC



Source des données aéronautiques civiles pour le Canada. © 2010 NAV CANADA. Tous droits réservés.

# CARTE D'AERODROME

ÎLES-DE-LA-MADELEINE QC  
ÎLES-DE-LA-MADELEINE

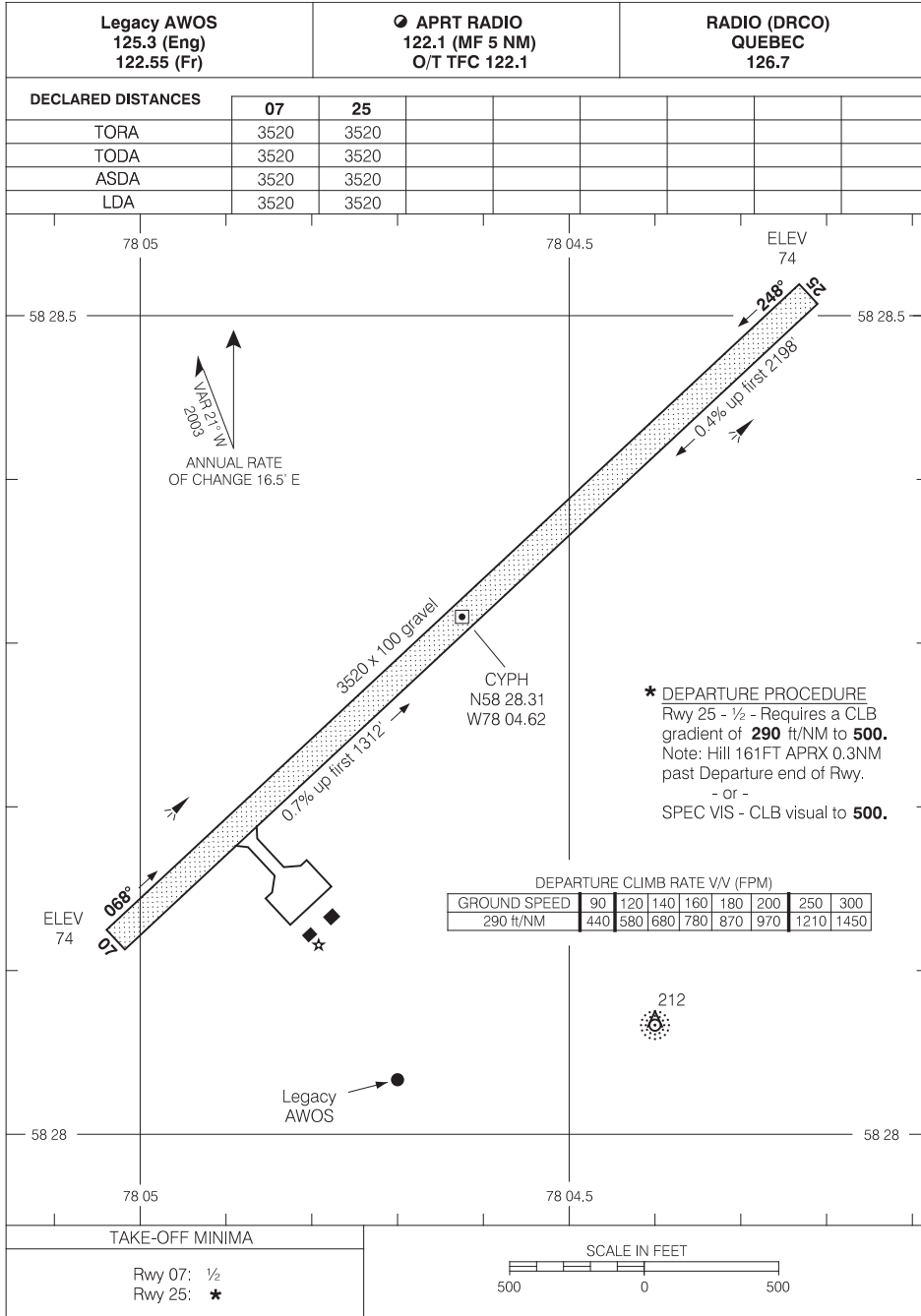
VAL 10 MAI 07

CHANGEMENT: Procédure de départ; Taux de montée; Minimum

NAD83

# AERODROME CHART

INUKJUAQ  
INUKJUAQ QC



Source of Canadian Civil Aeronautical Data : © 2010 NAV CANADA All rights reserved

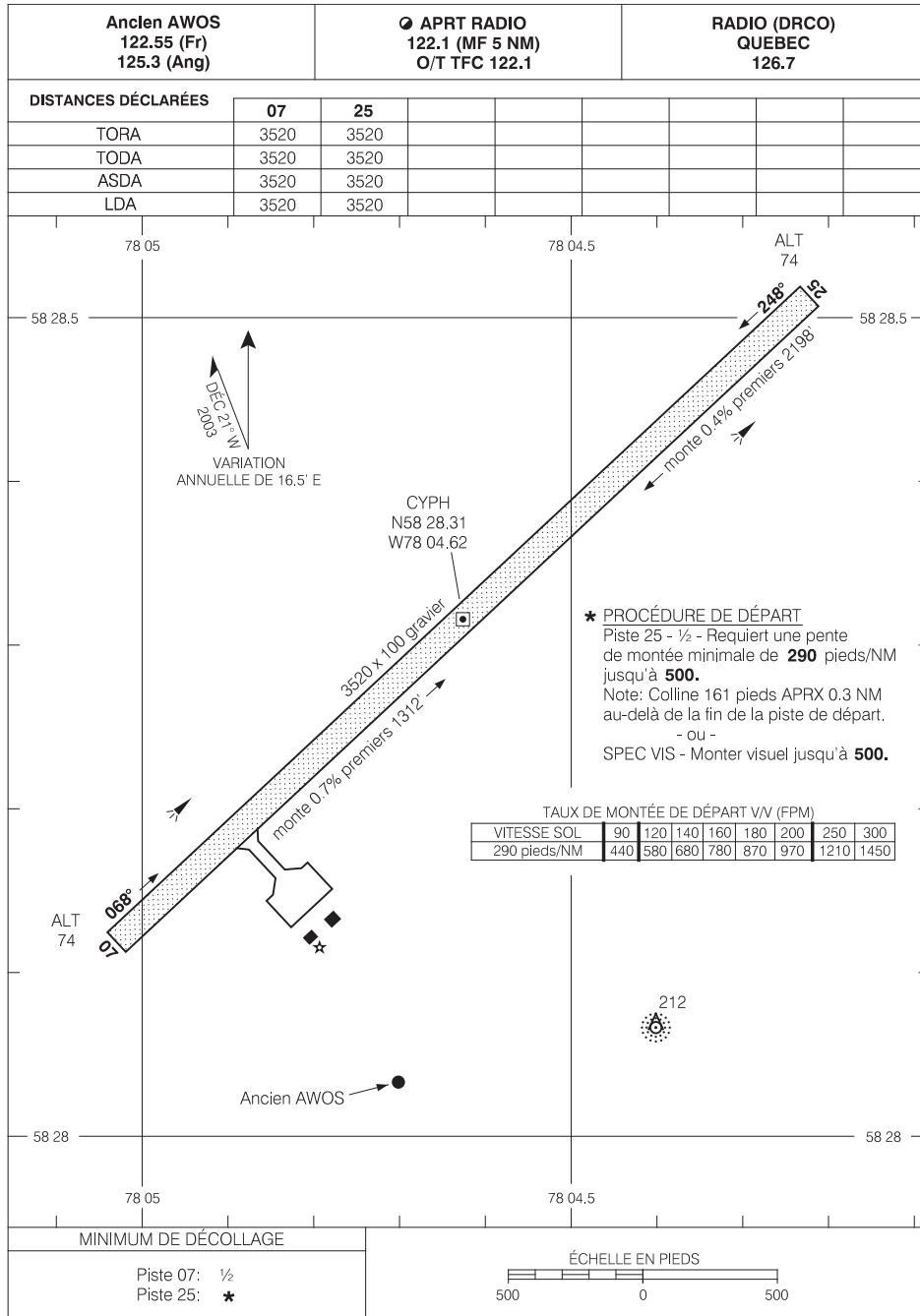
# AERODROME CHART

INUKJUAQ QC  
INUKJUAQ  
NAD83

EFF 20 NOV 08 CHANGE: AWOS

# CARTE D'AÉRODROME

INUKJUAQ  
INUKJUAQ QC



Source des données aéronautiques civiles pour le Canada © 2010 NAV CANADA Tous droits réservés

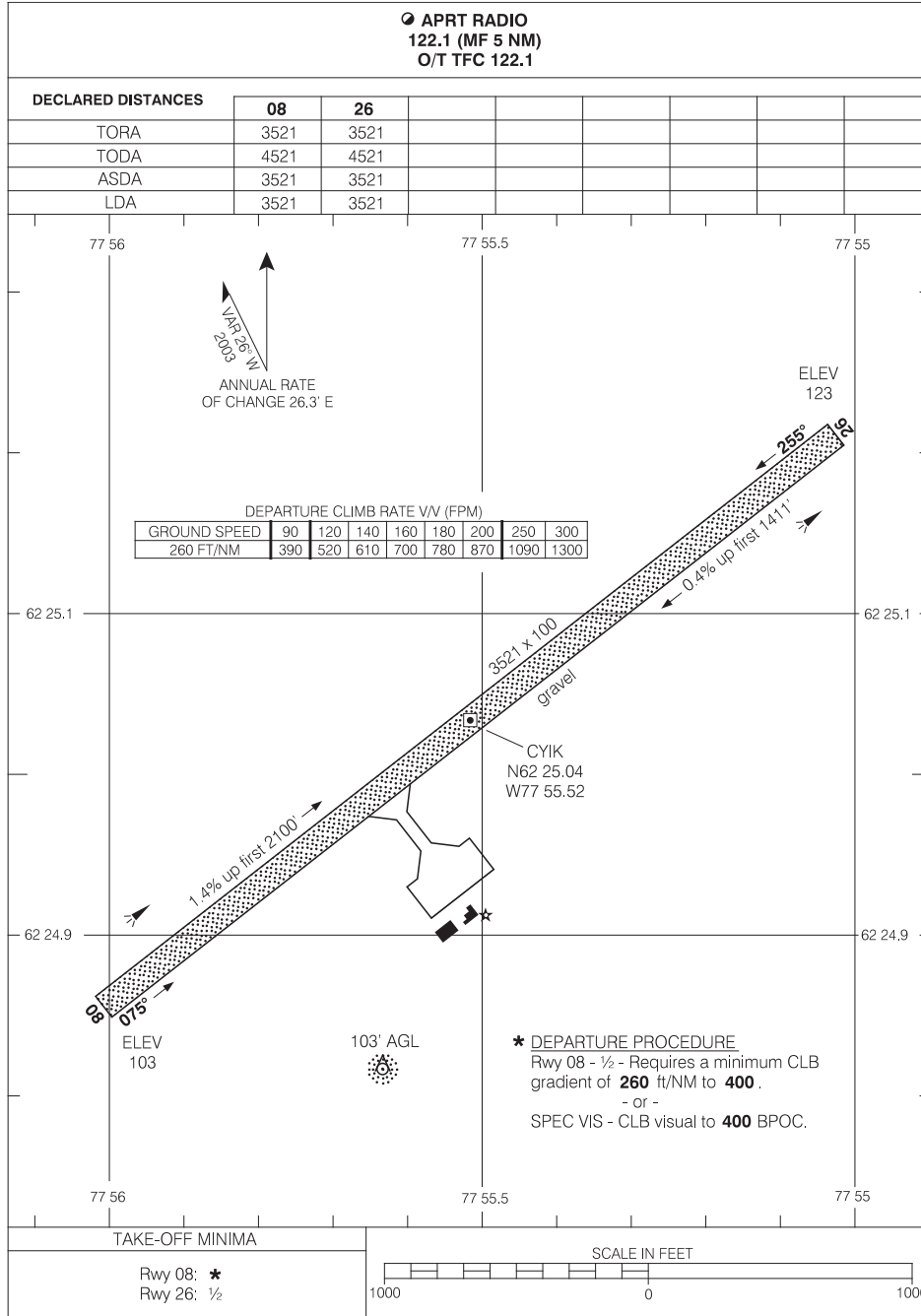
# CARTE D'AERODROME

INUKJUAQ QC  
INUKJUAQ  
NAD83

VAL 20 NOV 08      CHANGEMENT: AWOS

# AERODROME CHART

IVUJIVIK  
IVUJIVIK QC



Source of Canadian Civil Aeronautical Data : © 2010 NAV CANADA All rights reserved

# AERODROME CHART

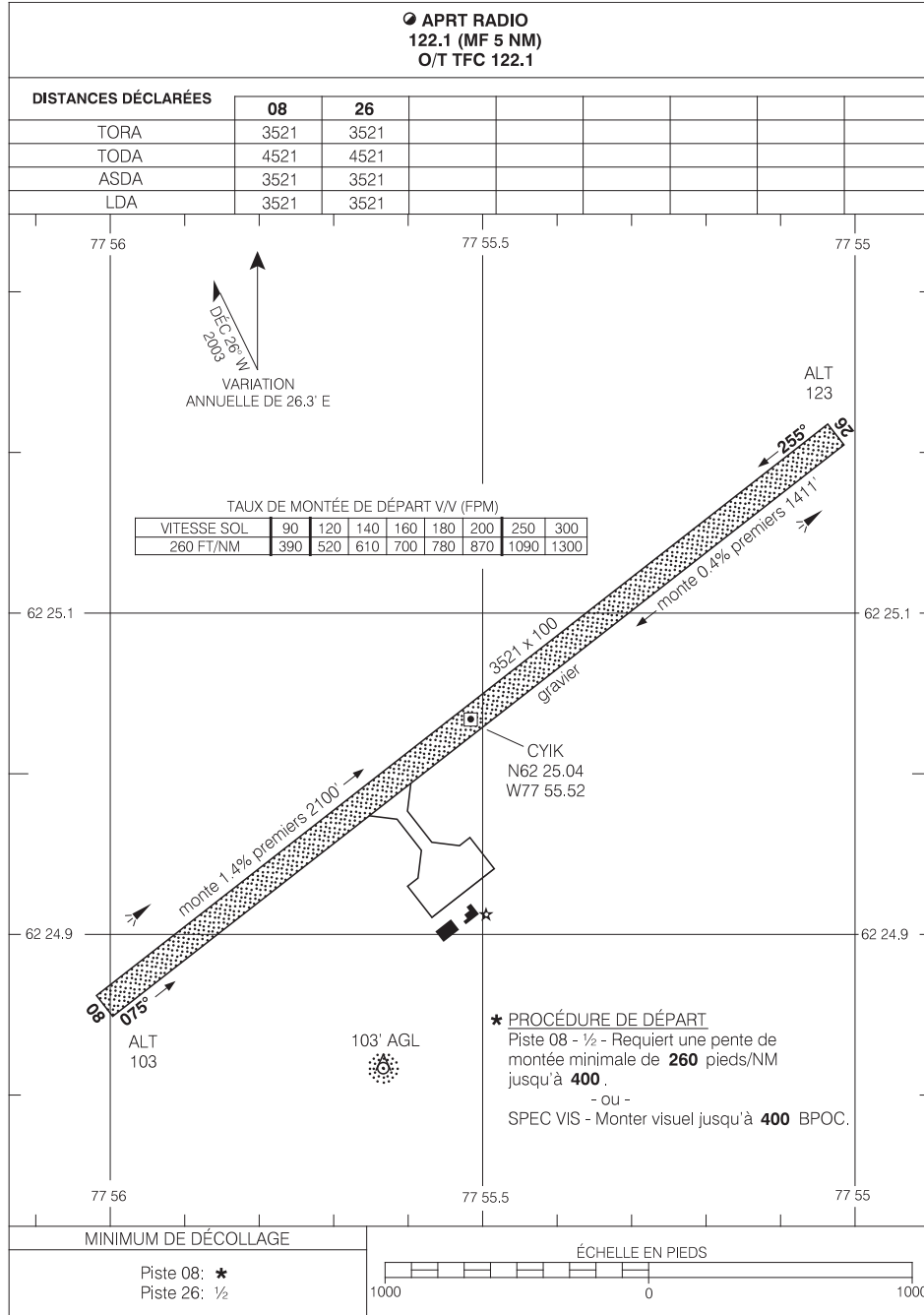
IVUJIVIK QC  
IVUJIVIK  
NAD83

EFF 13 APR 06 CHANGE: Editorial



# CARTE D'AÉRODROME

IVUJIVIK  
IVUJIVIK QC



Source des données aéronautiques civiles pour le Canada © 2010 NAV CANADA Tous droits réservés

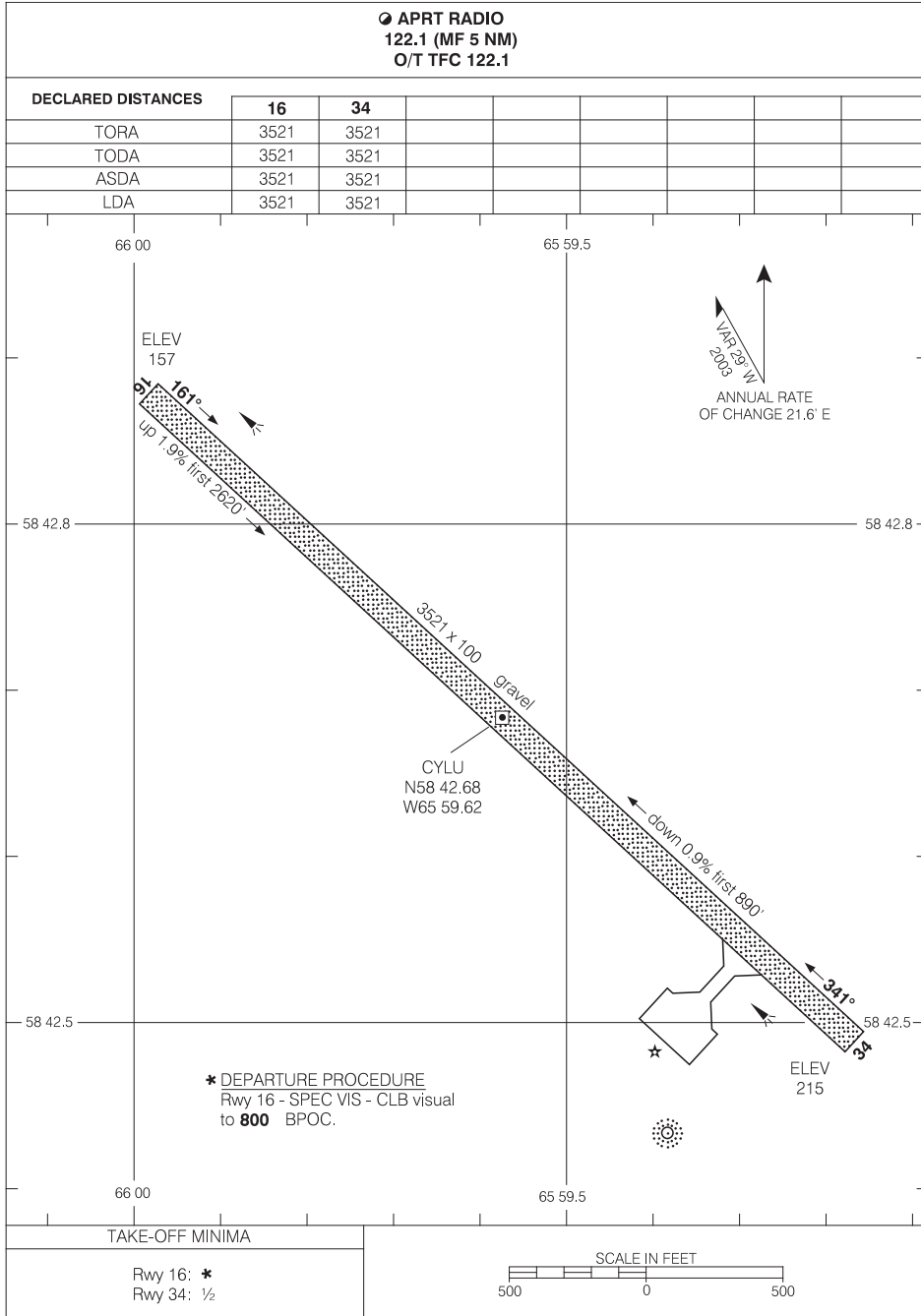
# CARTE D'AERODROME

IVUJIVIK QC  
IVUJIVIK  
NAD83

VAL 13 AVR 06      CHANGEMENT: Éditorial

# AERODROME CHART

KANGIQSUALUJJUAQ (GEORGES RIVER)  
KANGIQSUALUJJUAQ QC



# AERODROME CHART

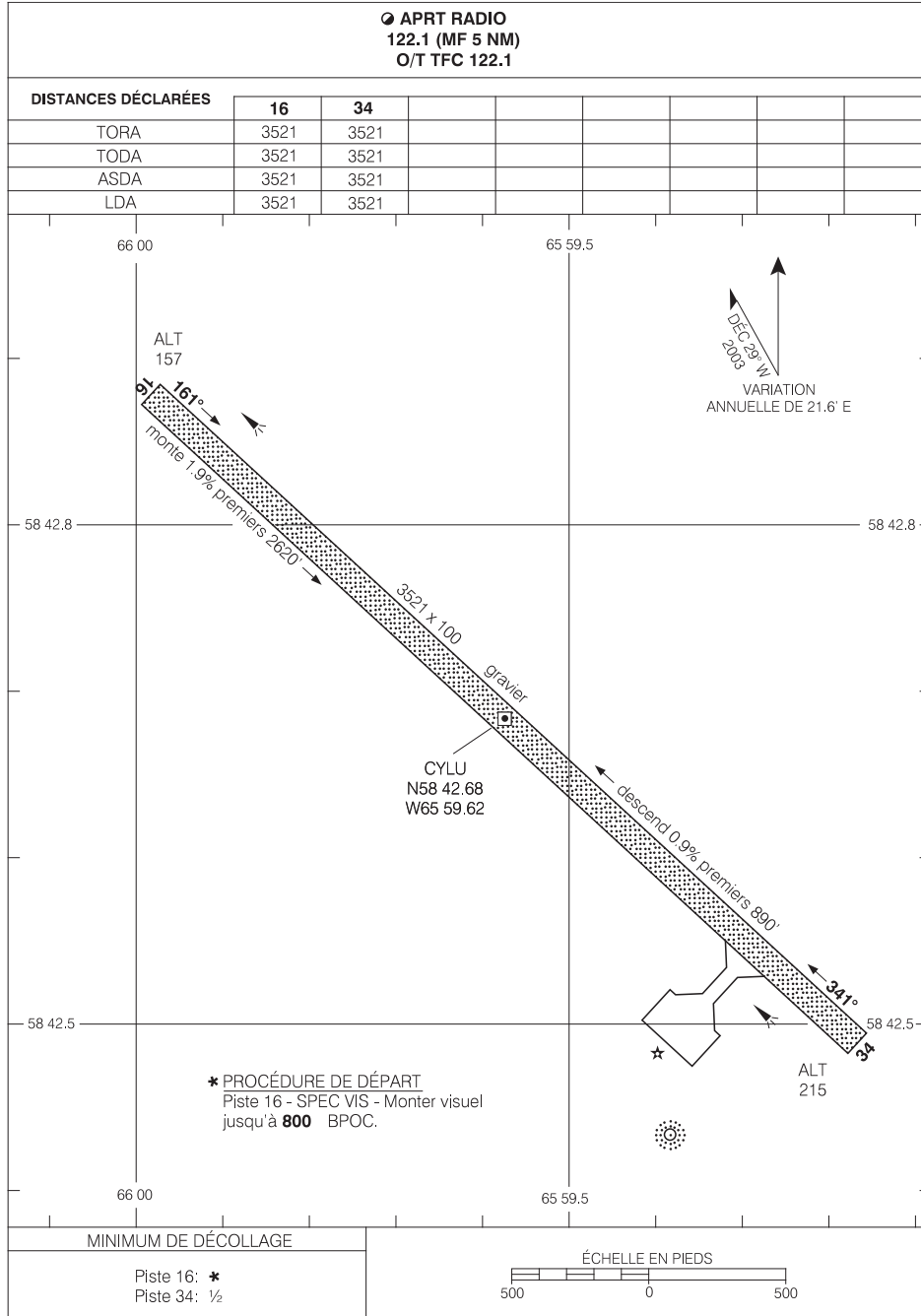
KANGIQSUALUJJUAQ QC  
KANGIQSUALUJJUAQ (GEORGES RIVER)

EFF 13 APR 06 CHANGE: Editorial

NAD83

# CARTE D'AÉRODROME

KANGIQSUALUJUAQ (GEORGES RIVER)  
KANGIQSUALUJUAQ QC



Source des données aéronautiques civiles pour le Canada. © 2010 NAV CANADA. Tous droits réservés.

# CARTE D'AERODROME

KANGIQSUALUJUAQ QC  
KANGIQSUALUJUAQ (GEORGES RIVER)

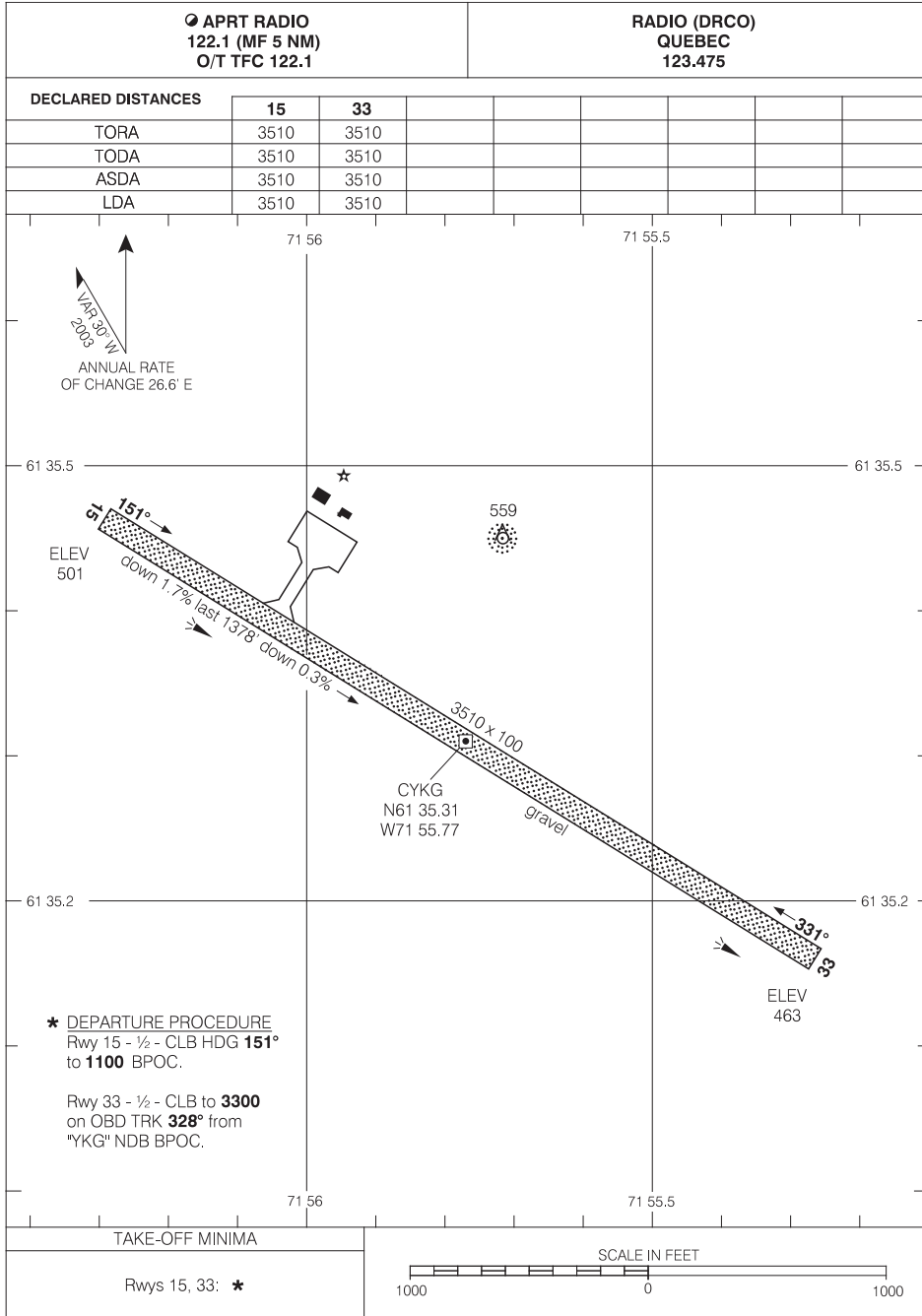
VAL 13 AVR 06

CHANGEMENT: Éditorial

NAD83

# AERODROME CHART

KANGIQSUJUAQ (WAKEHAM BAY)  
KANGIQSUJUAQ QC



Source of Canadian Civil Aeronautical Data : © 2010 NAV CANADA All rights reserved

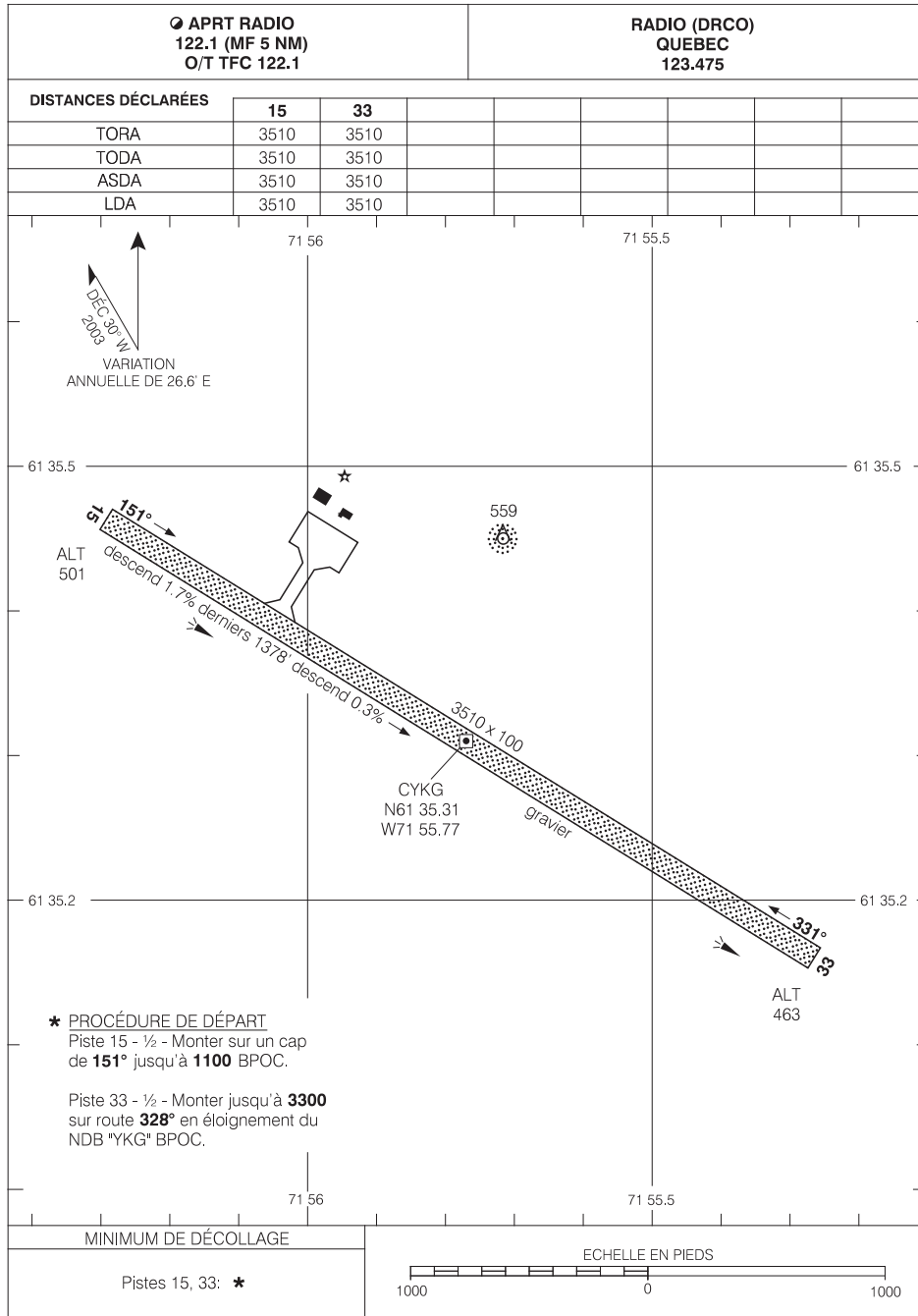
# AERODROME CHART

KANGIQSUJUAQ QC  
KANGIQSUJUAQ (WAKEHAM BAY)  
NAD83

EFF 5 JUL 07 CHANGE: DRCO freq

# CARTE D'AÉRODROME

KANGIQSUJUAQ (WAKEHAM BAY)  
KANGIQSUALUJUAQ QC



Source des données aéronautiques civiles pour le Canada © 2010 NAV CANADA Tous droits réservés

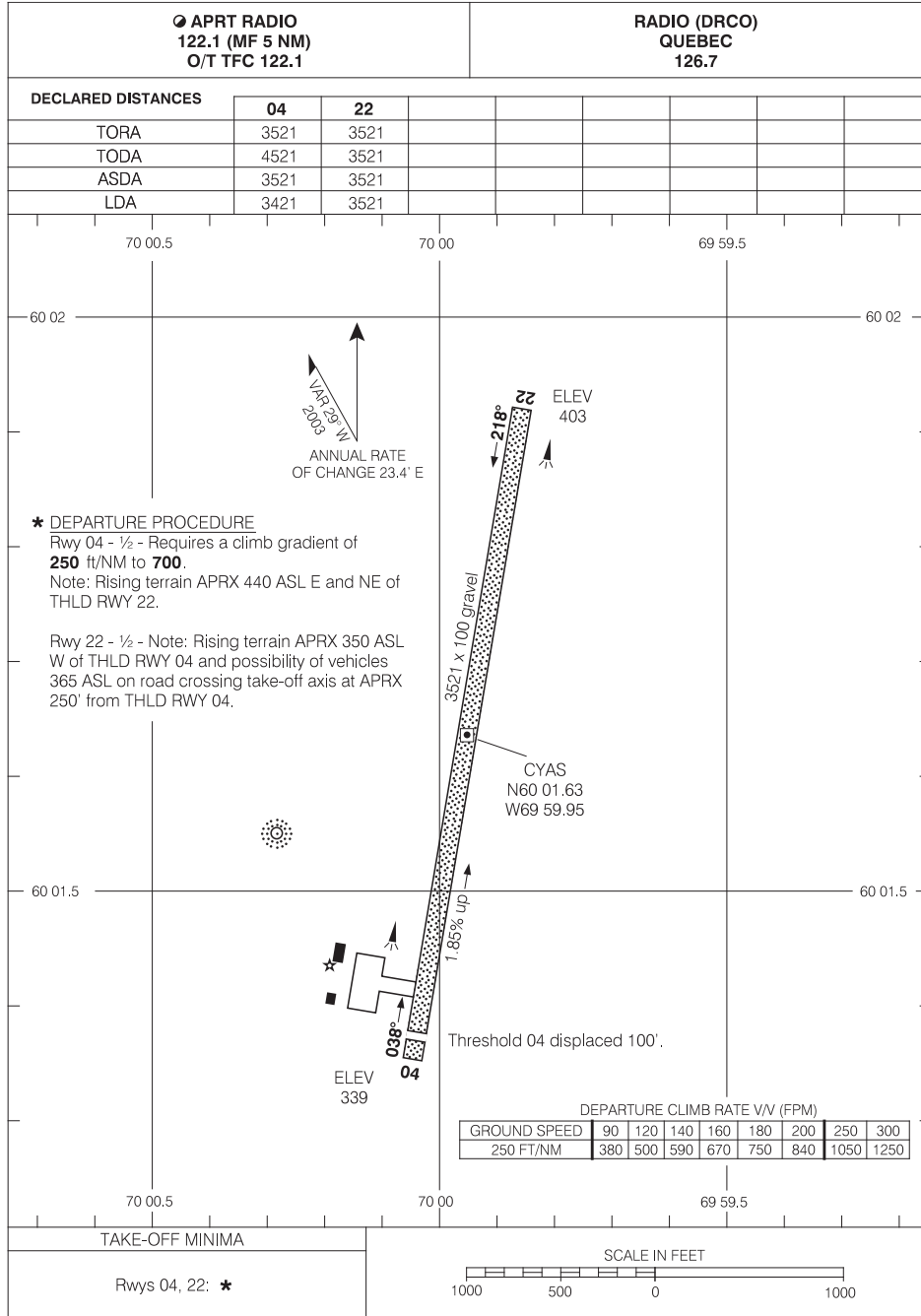
# CARTE D'AERODROME

KANGIQSUALUJUAQ QC  
KANGIQSUJUAQ (WAKEHAM BAY)  
NAD83

VAL 5 JUIL 07      CHANGEMENT: Fréq DRCO

# AERODROME CHART

KANGIRSUK  
KANGIRSUK QC



Source of Canadian Civil Aeronautical Data : © 2010 NAV CANADA All rights reserved

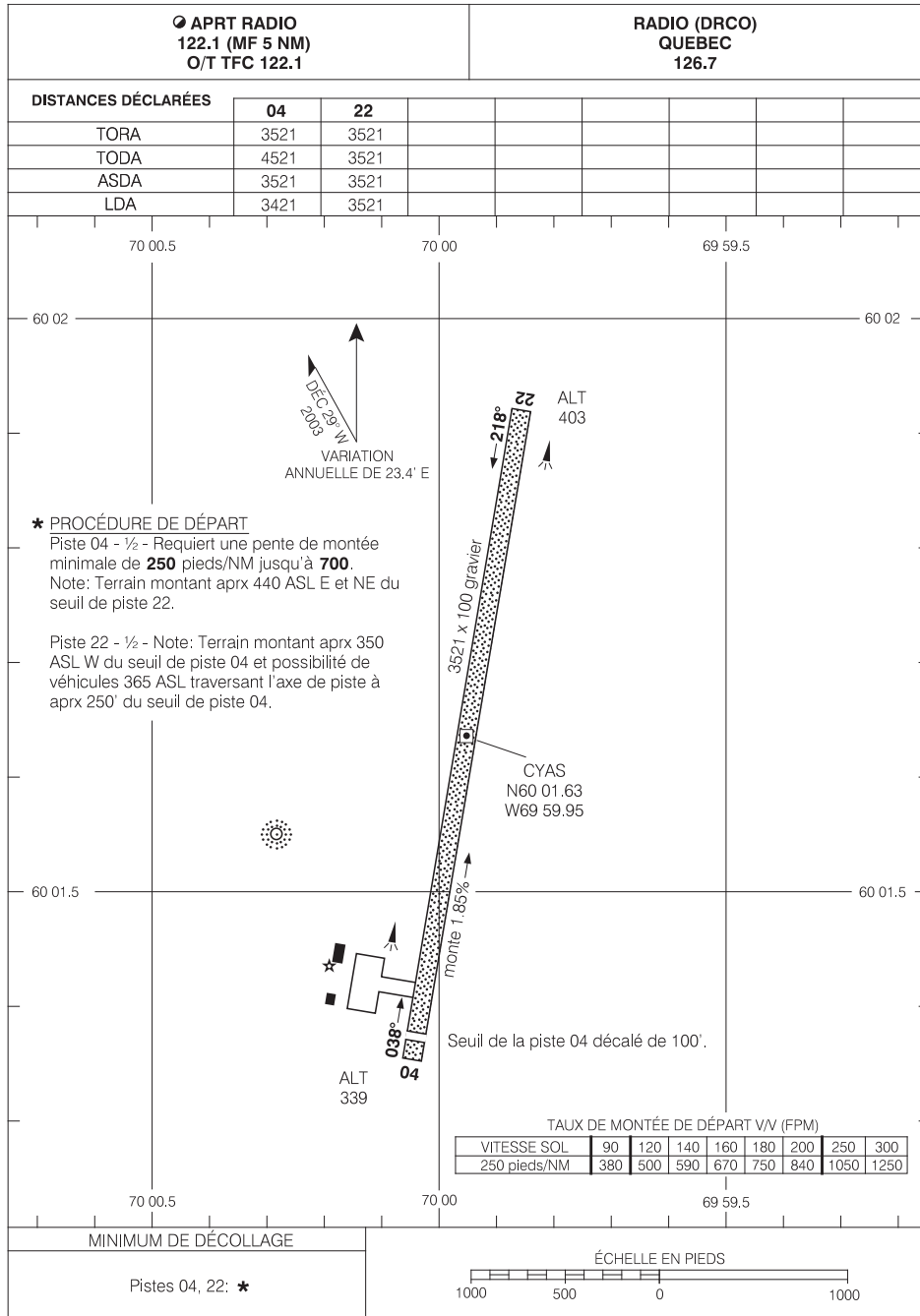
# AERODROME CHART

KANGIRSUK QC  
KANGIRSUK  
NAD83

EFF 13 APR 06 CHANGE: Editorial

# CARTE D'AÉRODROME

KANGIRSUK  
KANGIRSUK QC



Source des données aéronautiques civiles pour le Canada © 2010 NAV CANADA Tous droits réservés

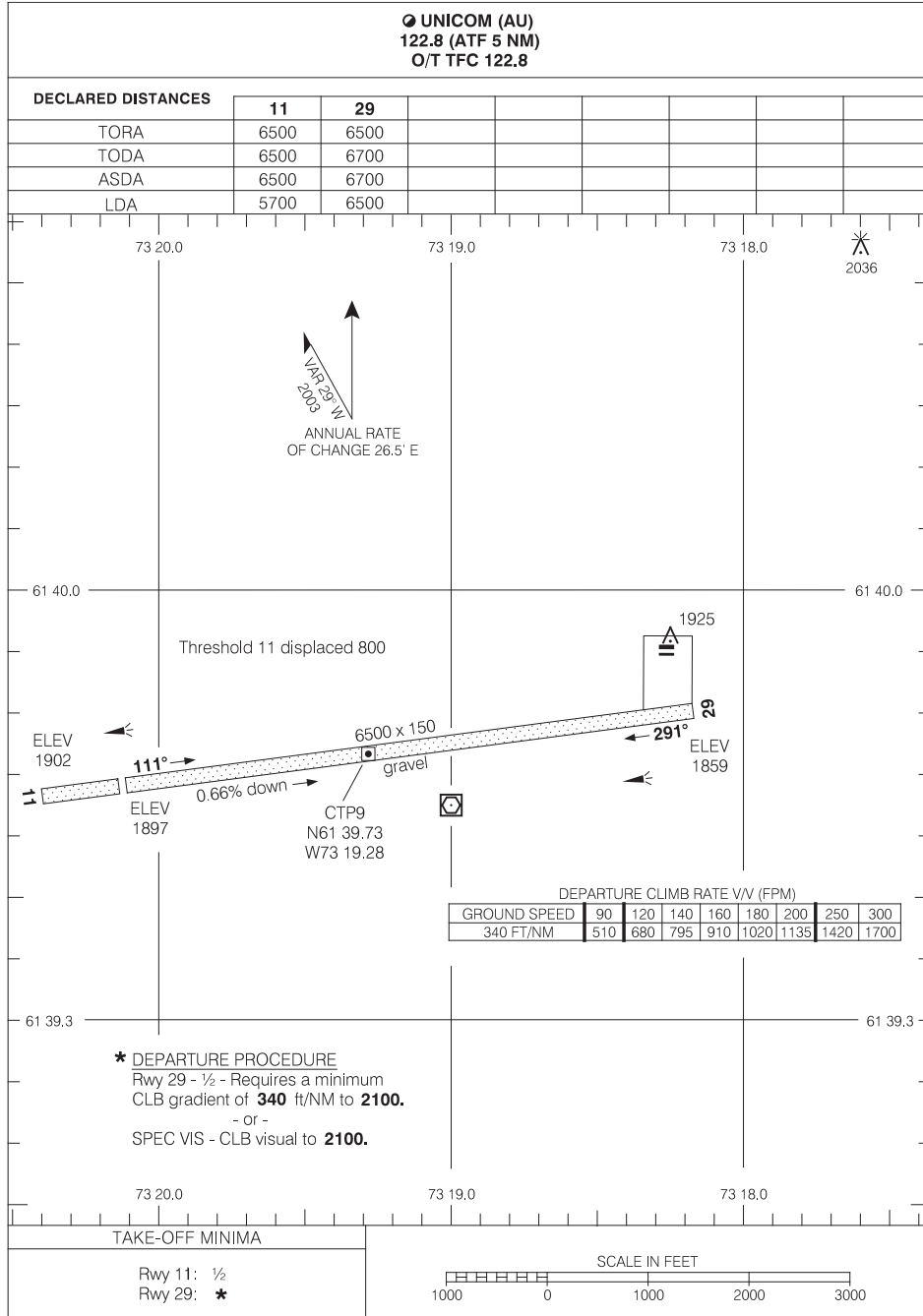
# CARTE D'AERODROME

KANGIRSUK QC  
KANGIRSUK  
NAD83

VAL 13 AVR 06 CHANGEMENT: Editorial

# AERODROME CHART

KATTINIQ/DONALDSON  
KATTINIQ QC



# AERODROME CHART

KATTINIQ QC  
KATTINIQ/DONALDSON  
NAD83

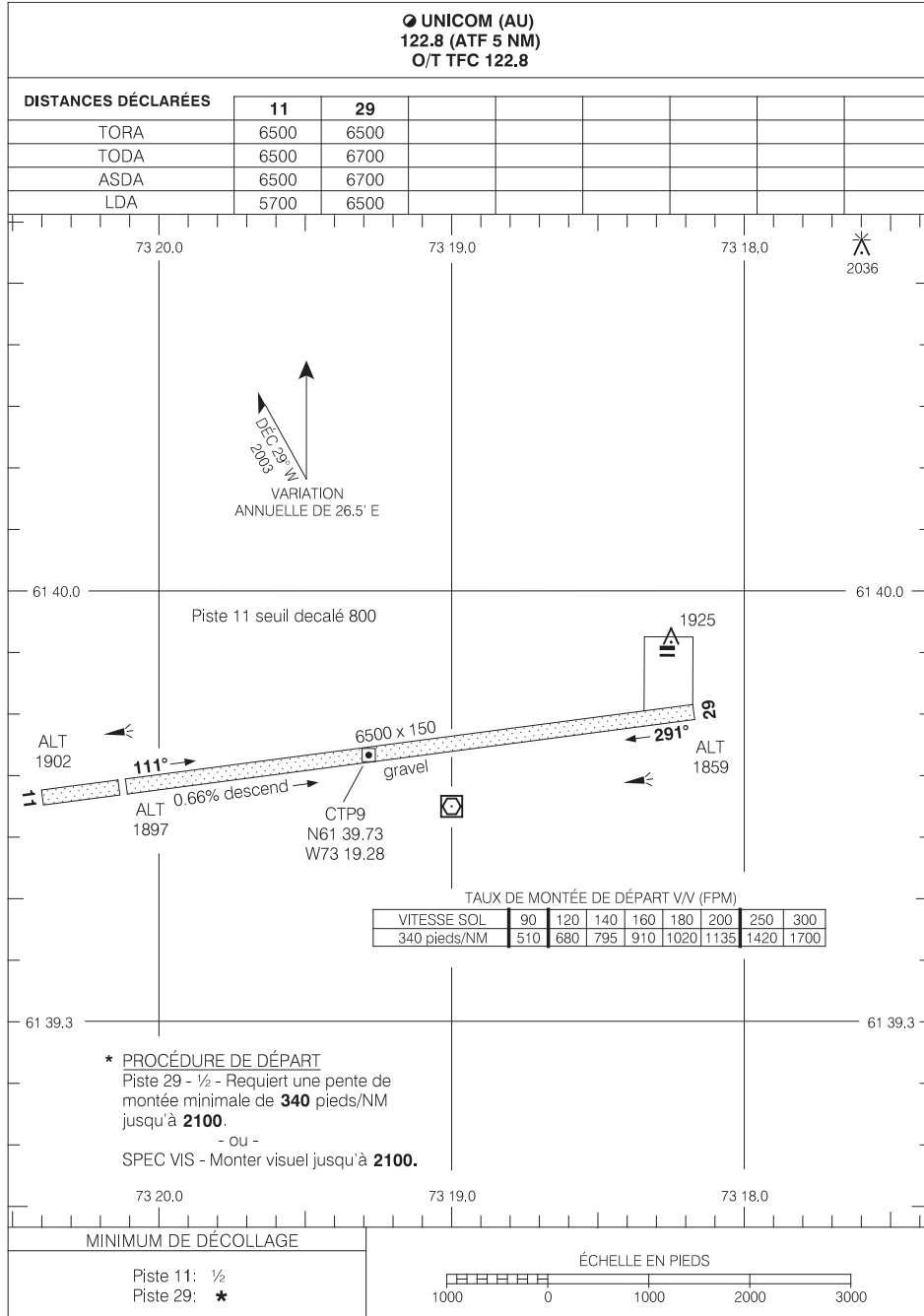
EFF 10 APR 08

CHANGE: Obst



# CARTE D'AÉRODROME

KATTINIQ/DONALDSON  
KATTINIQ QC



Source des données aéronautiques civiles pour le Canada © 2010 NAV CANADA Tous droits réservés

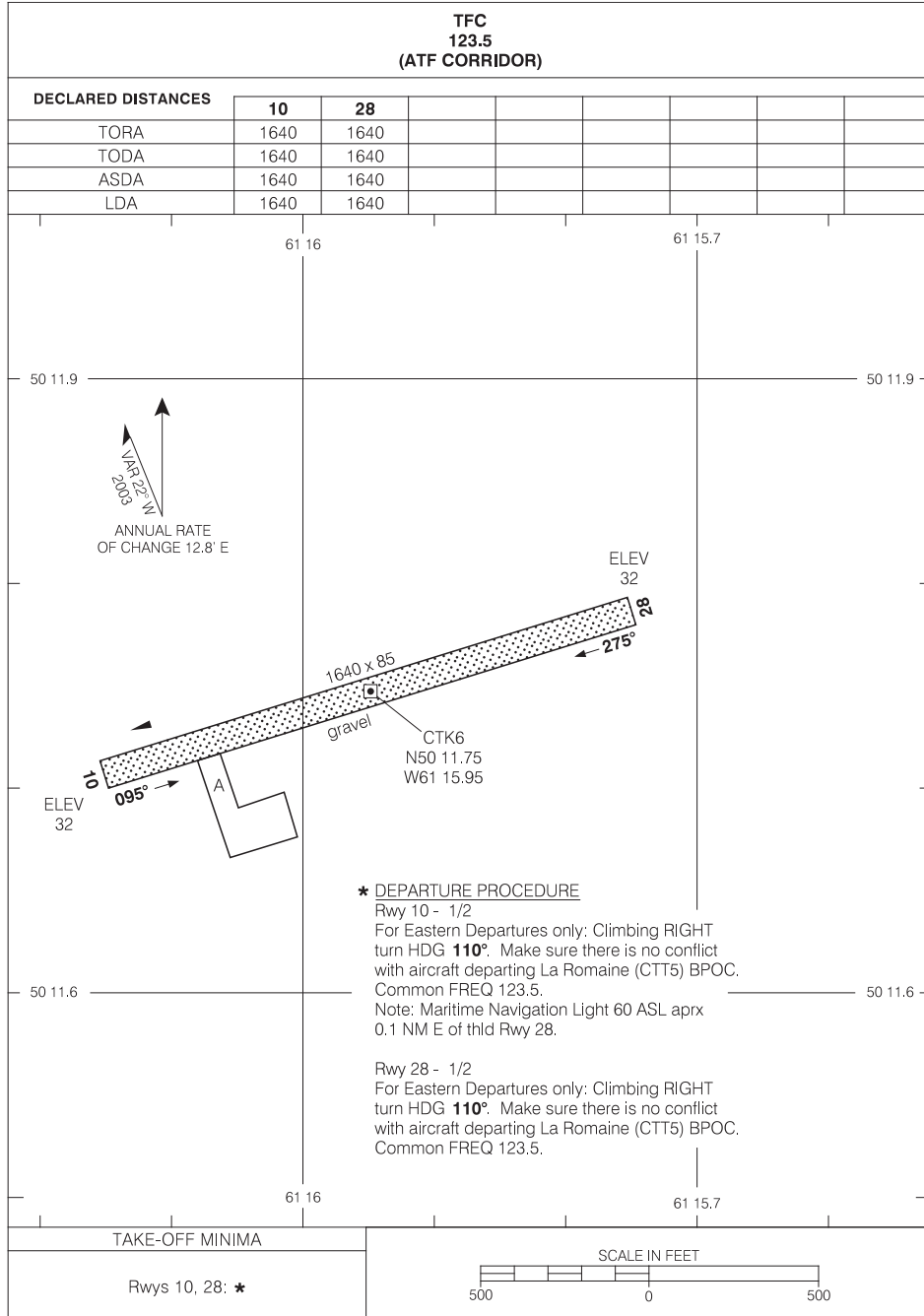
# CARTE D'AERODROME

KATTINIQ QC  
KATTINIQ/DONALDSON  
NAD83

VAL 10 AVR 08      CHANGEMENT: Obst

# AERODROME CHART

KEGASKA  
KEGASKA QC



Source of Canadian Civil Aeronautical Data : © 2010 NAV CANADA All rights reserved

# AERODROME CHART

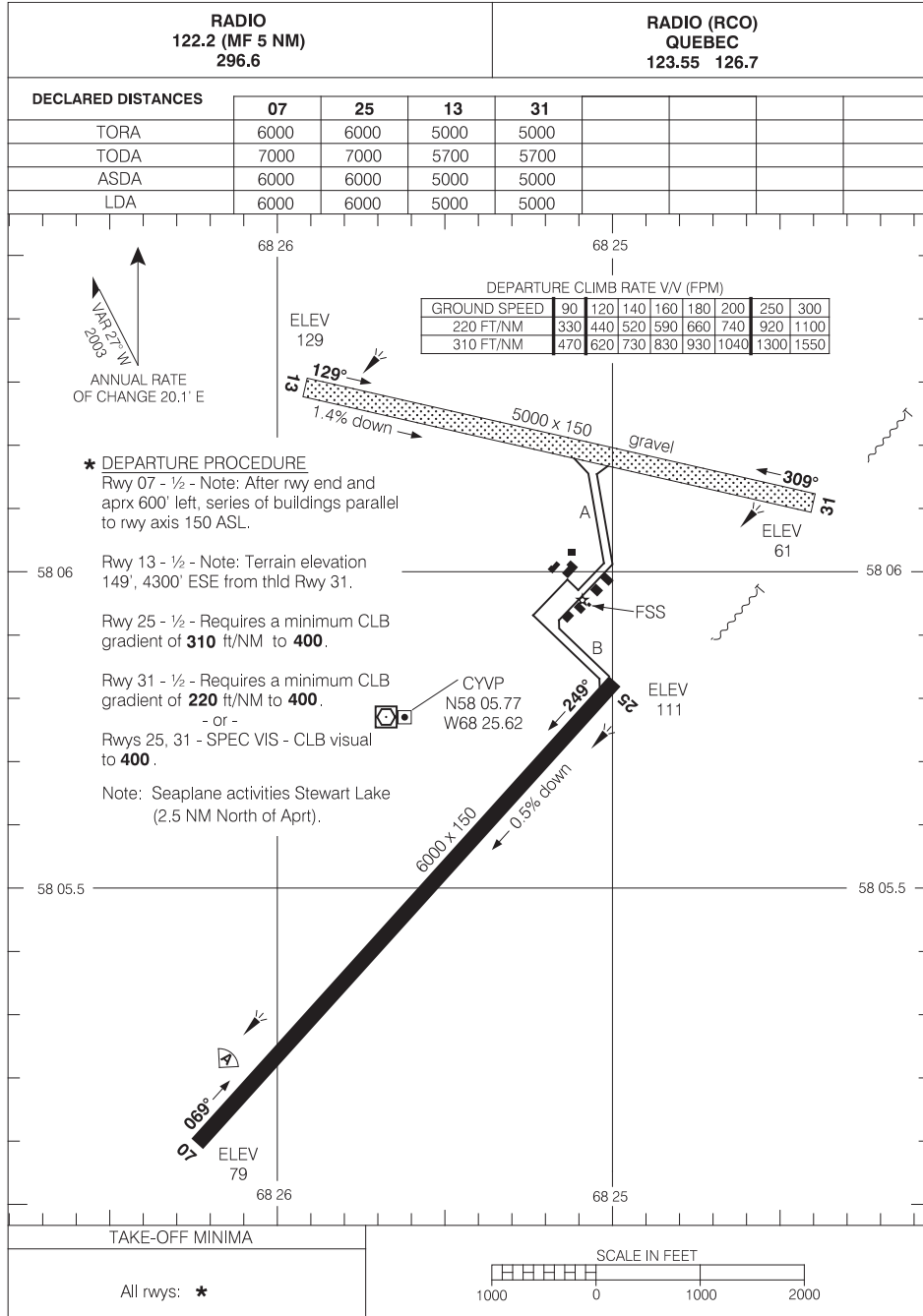
KEGASKA QC  
KEGASKA  
NAD83

EFF 18 JAN 07 CHANGE: A/D name



# AERODROME CHART

KUUJJUAQ  
KUUJJUAQ QC



Source of Canadian Civil Aeronautical Data : © 2010 NAV CANADA All rights reserved

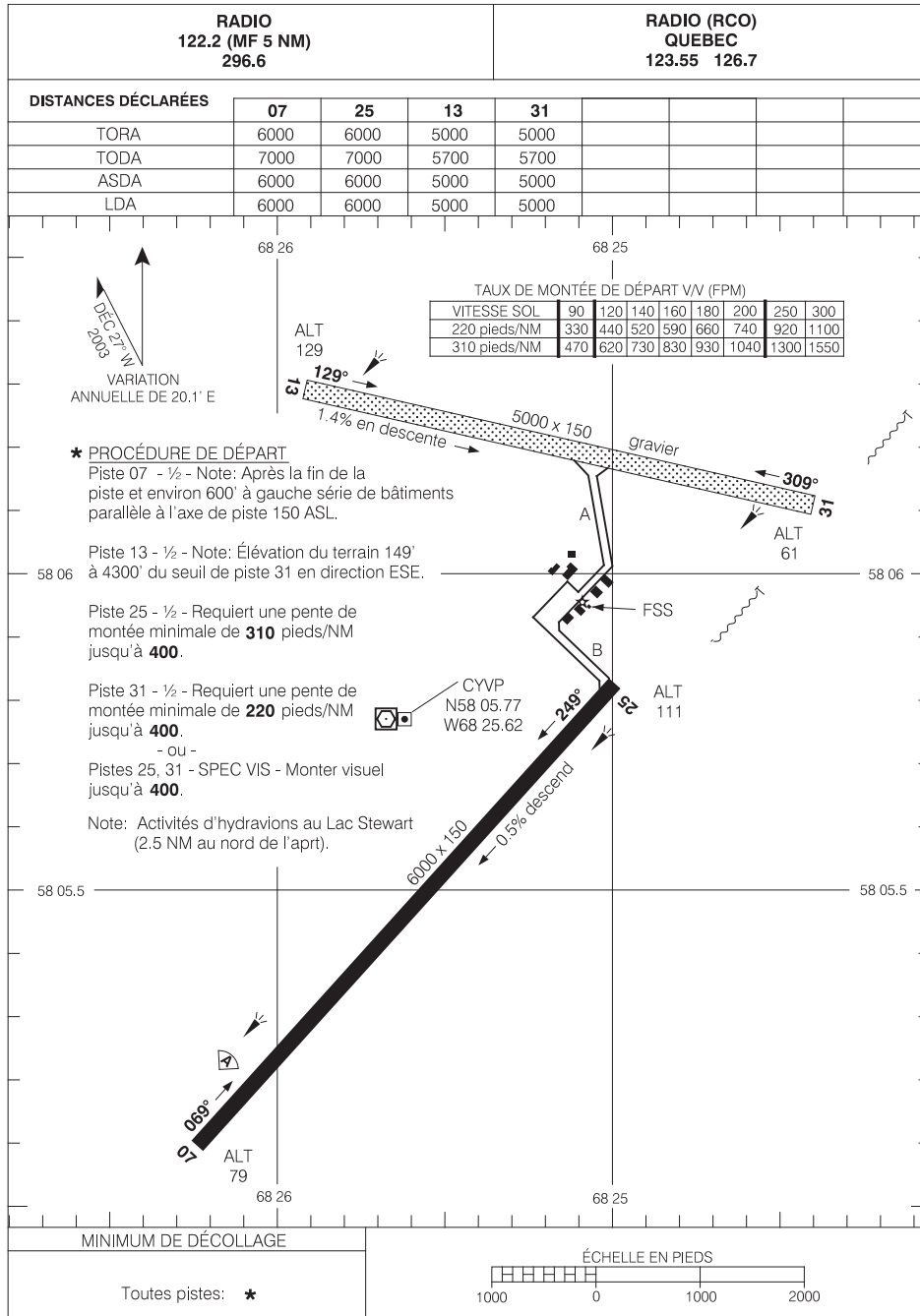
# AERODROME CHART

KUUJJUAQ QC  
KUUJJUAQ  
NAD83

EFF 11 FEB 10 CHANGE: THLD elev

# CARTE D'AÉRODROME

KUUJJUAQ  
KUUJJUAQ QC



Source des données aéronautiques civiles pour le Canada © 2010 NAV CANADA Tous droits réservés

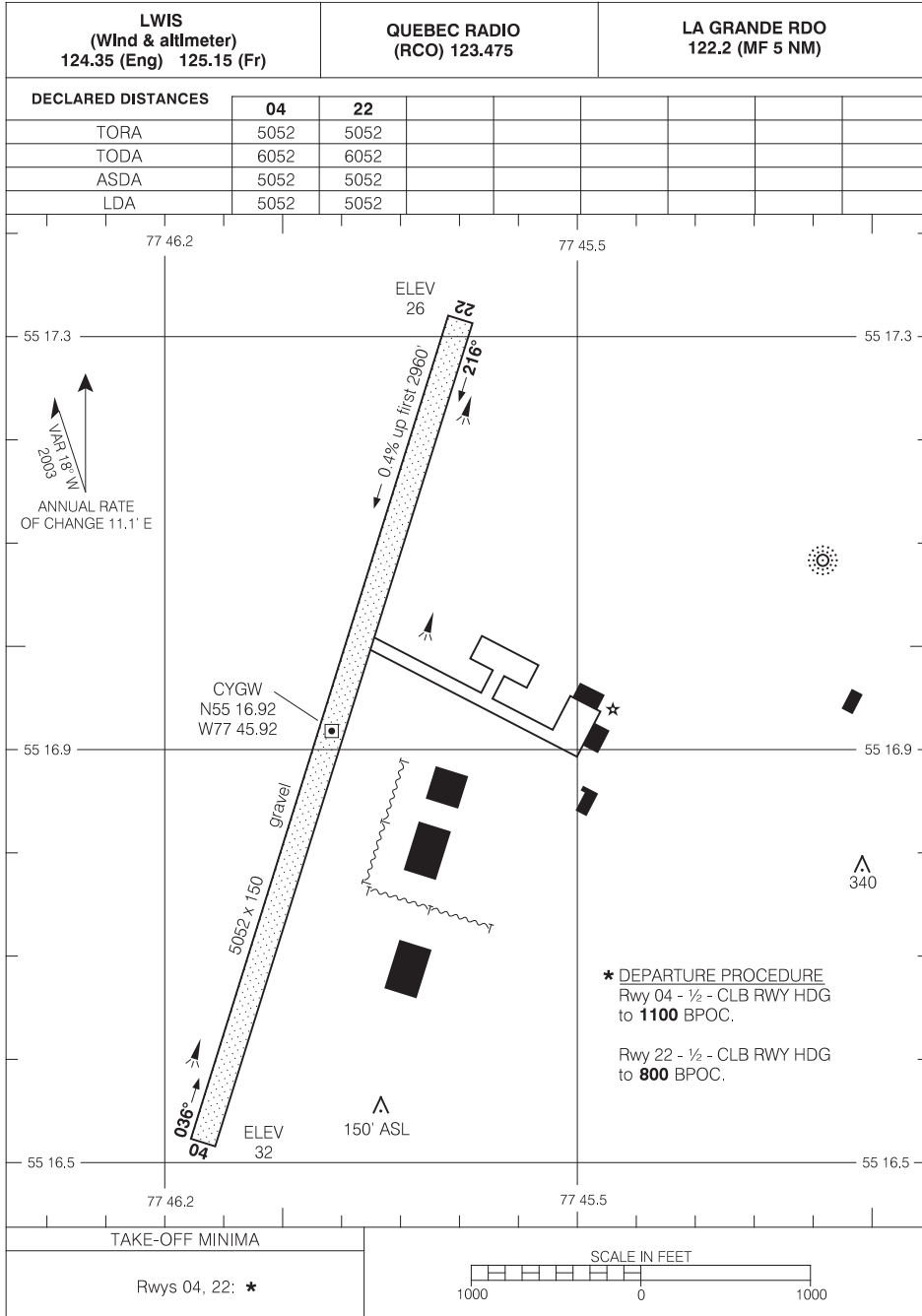
# CARTE D'AERODROME

KUUJJUAQ QC  
KUUJJUAQ  
NAD83

VAL 3 AOÛT 06      CHANGEMENT: Éditorial

# AERODROME CHART

KUUJJUARAPIK  
KUUJJUARAPIK QC



Source of Canadian Civil Aeronautical Data : © 2010 NAV CANADA All rights reserved

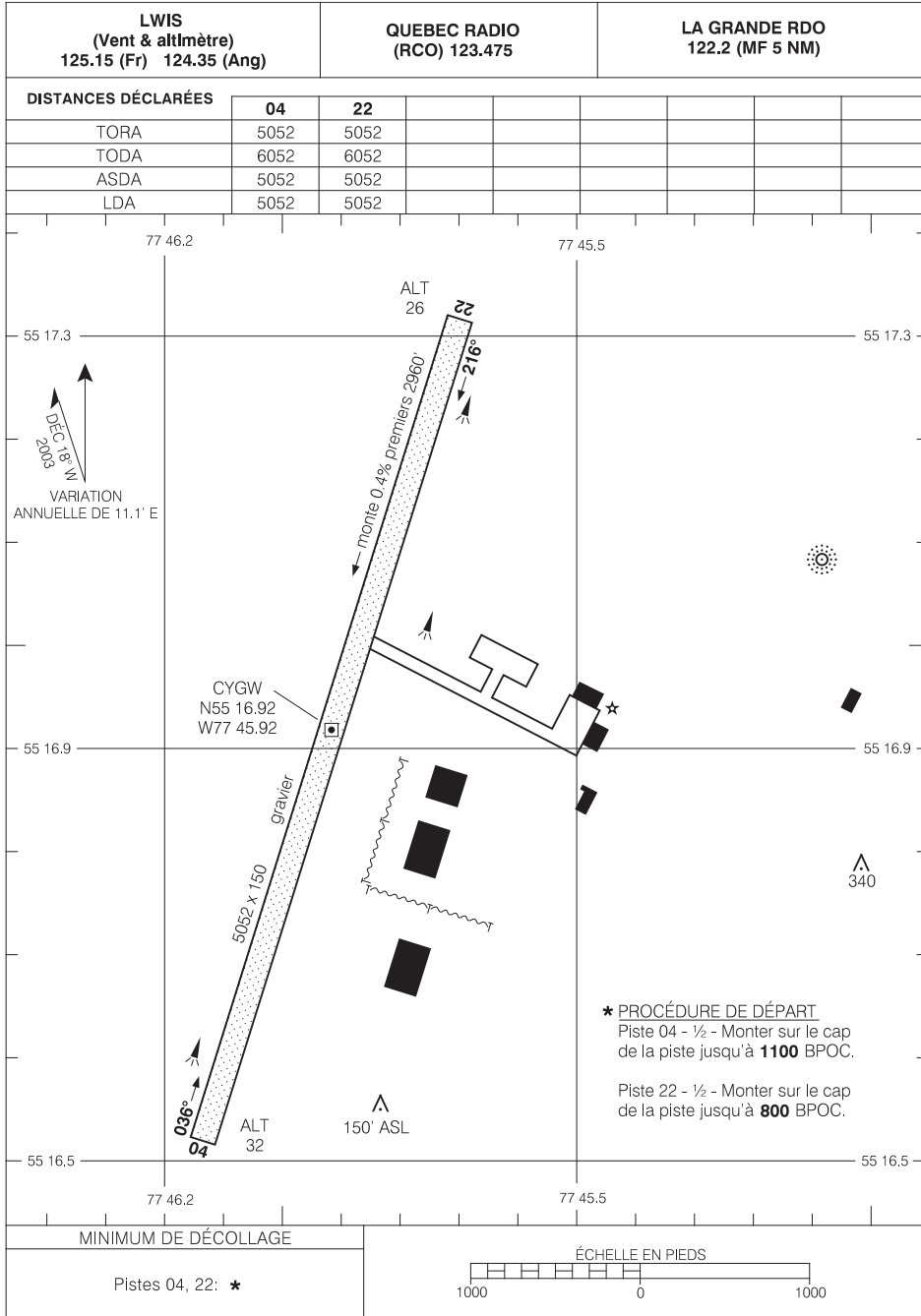
# AERODROME CHART

KUUJJUARAPIK QC  
KUUJJUARAPIK  
NAD83

EFF 17 DEC 09 CHANGE: FSS deleted

# CARTE D'AÉRODROME

KUUJJUARAPIK  
KUUJJUARAPIK QC



Source des données aéronautiques civiles pour le Canada © 2010 NAV CANADA Tous droits réservés

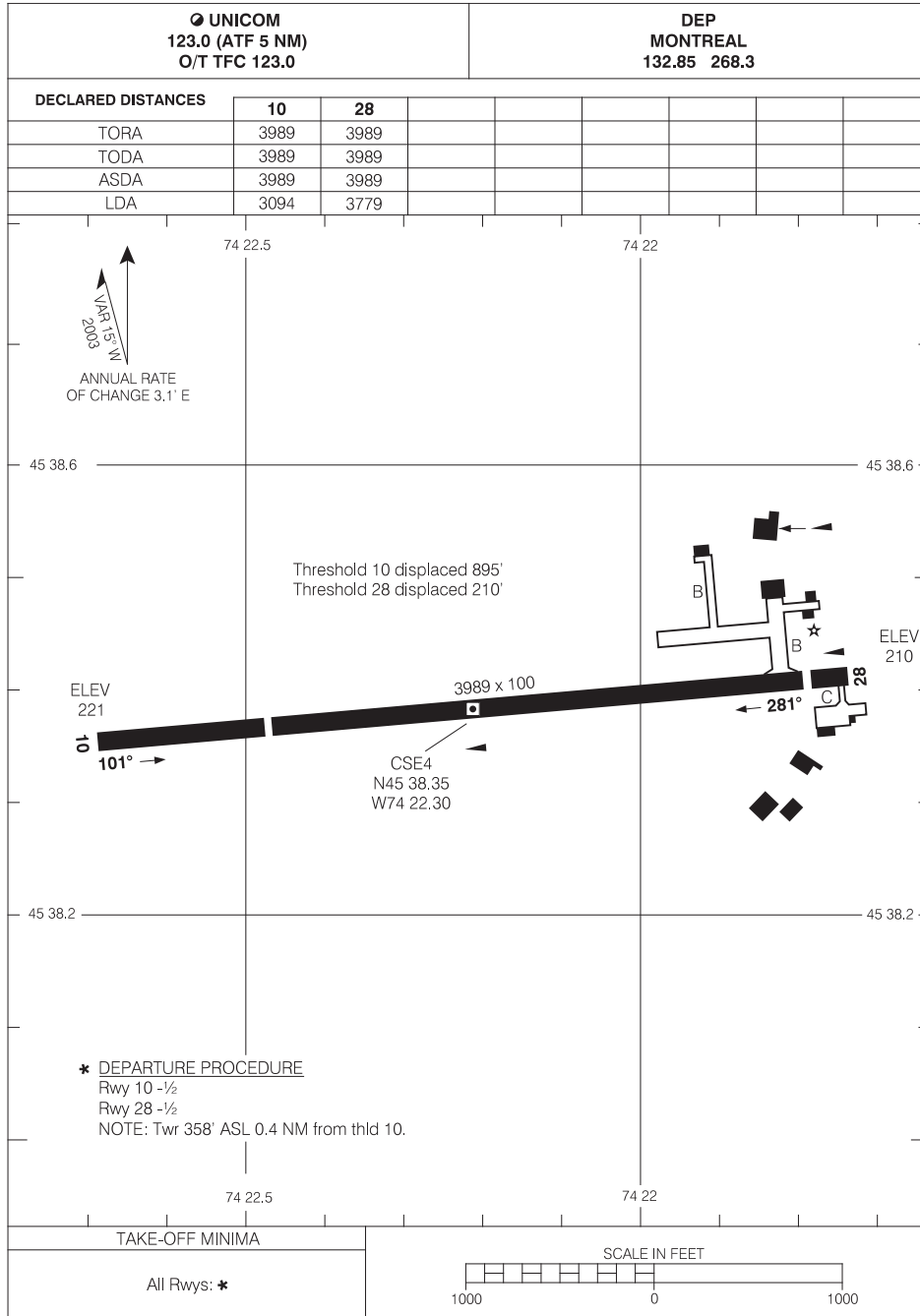
# CARTE D'AERODROME

KUUJJUARAPIK QC  
KUUJJUARAPIK  
NAD83

VAL 17 DÉC 09      CHANGEMENT: FSS supprimée

# AERODROME CHART

LACHUTE  
LACHUTE QC



# AERODROME CHART

LACHUTE QC  
LACHUTE  
NAD83

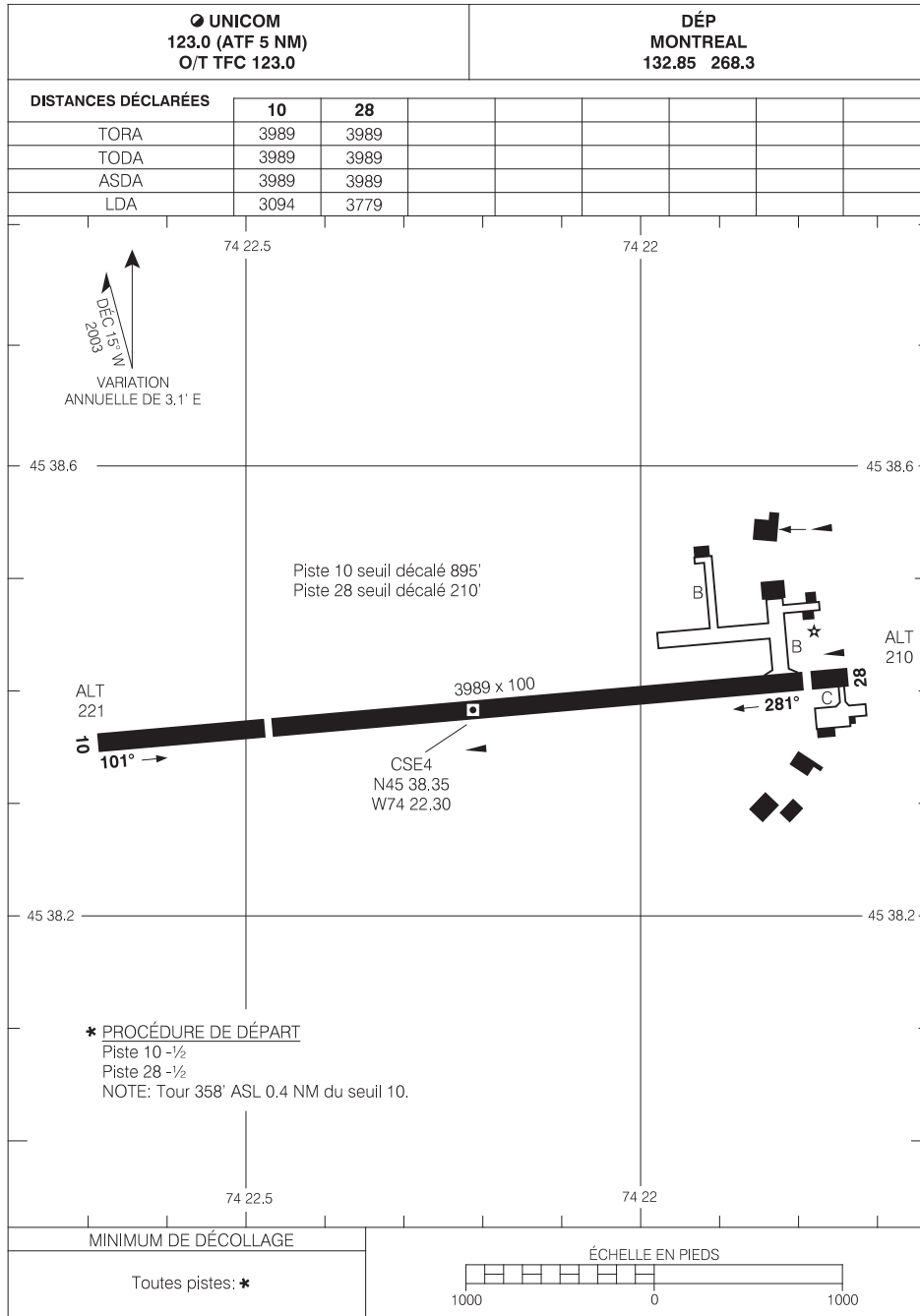
EFF 2 JUL 09

CHANGE: Comm, rwy headings added



# CARTE D'AÉRODROME

LACHUTE  
LACHUTE QC



Source des données aéronautiques civiles pour le Canada: © 2010 NAV CANADA Tous droits réservés

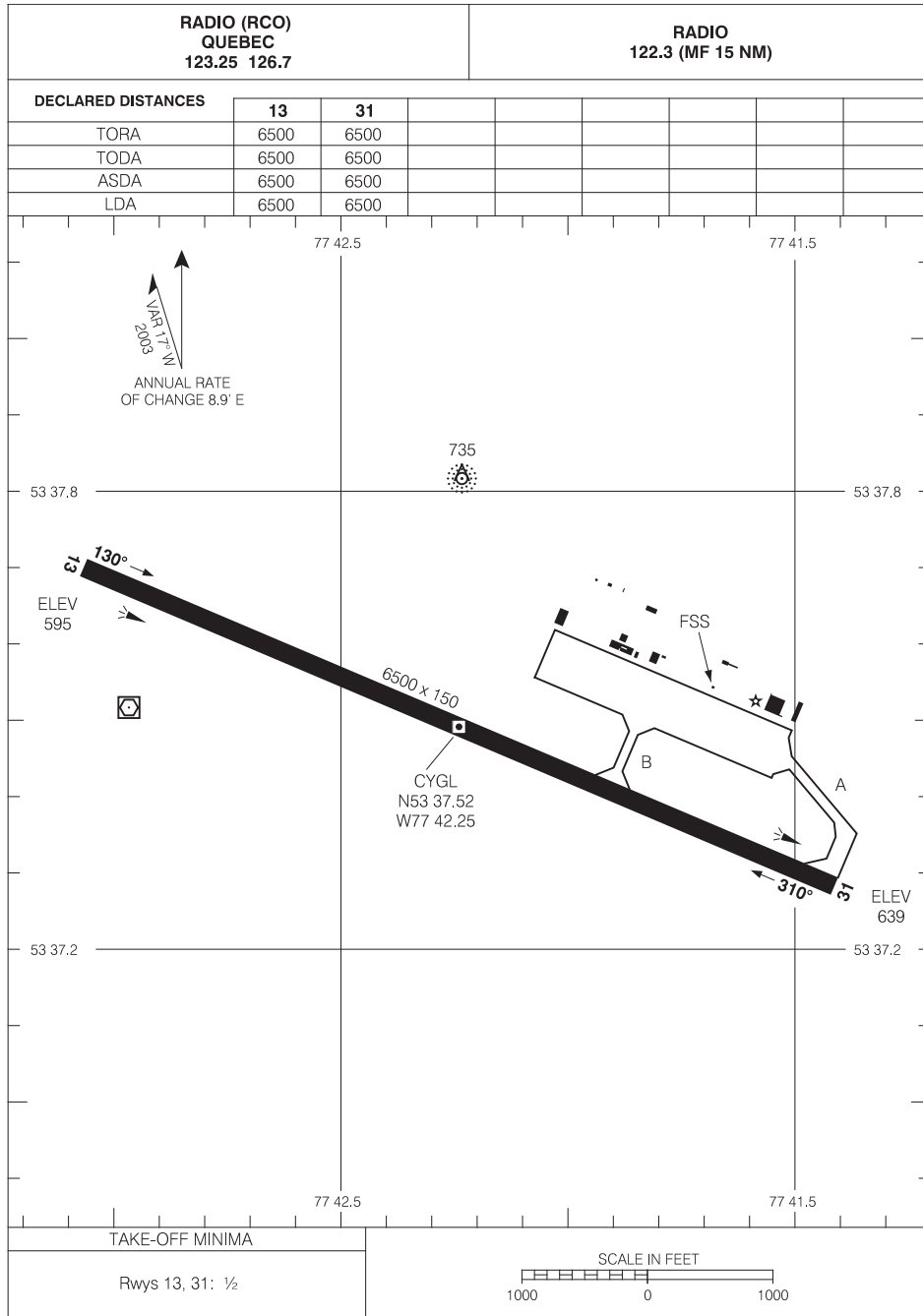
# CARTE D'AERODROME

LACHUTE QC  
LACHUTE  
NAD83

VAL 2 JUIL 09      CHANGEMENT: Comm, caps de piste ajoutés

# AERODROME CHART

LA GRANDE RIVIÈRE  
LA GRANDE RIVIÈRE QC



Source of Canadian Civil Aeronautical Data : © 2010 NAV CANADA All rights reserved

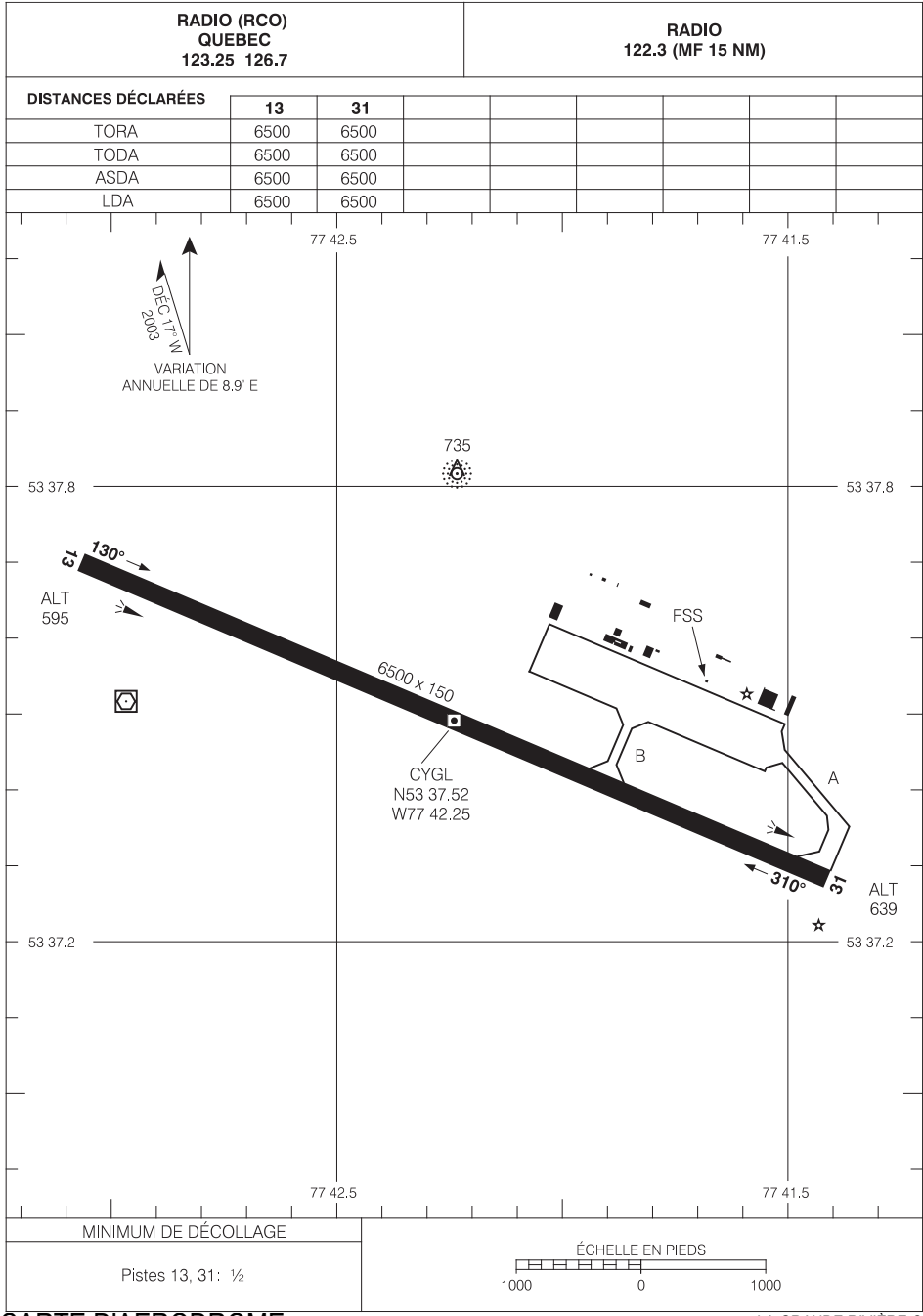
# AERODROME CHART

LA GRANDE RIVIÈRE QC  
LA GRANDE RIVIÈRE  
NAD83

EFF 31 JUL 08 CHANGE: Comm

# CARTE D'AÉRODROME

LA GRANDE RIVIÈRE  
LA GRANDE RIVIÈRE QC



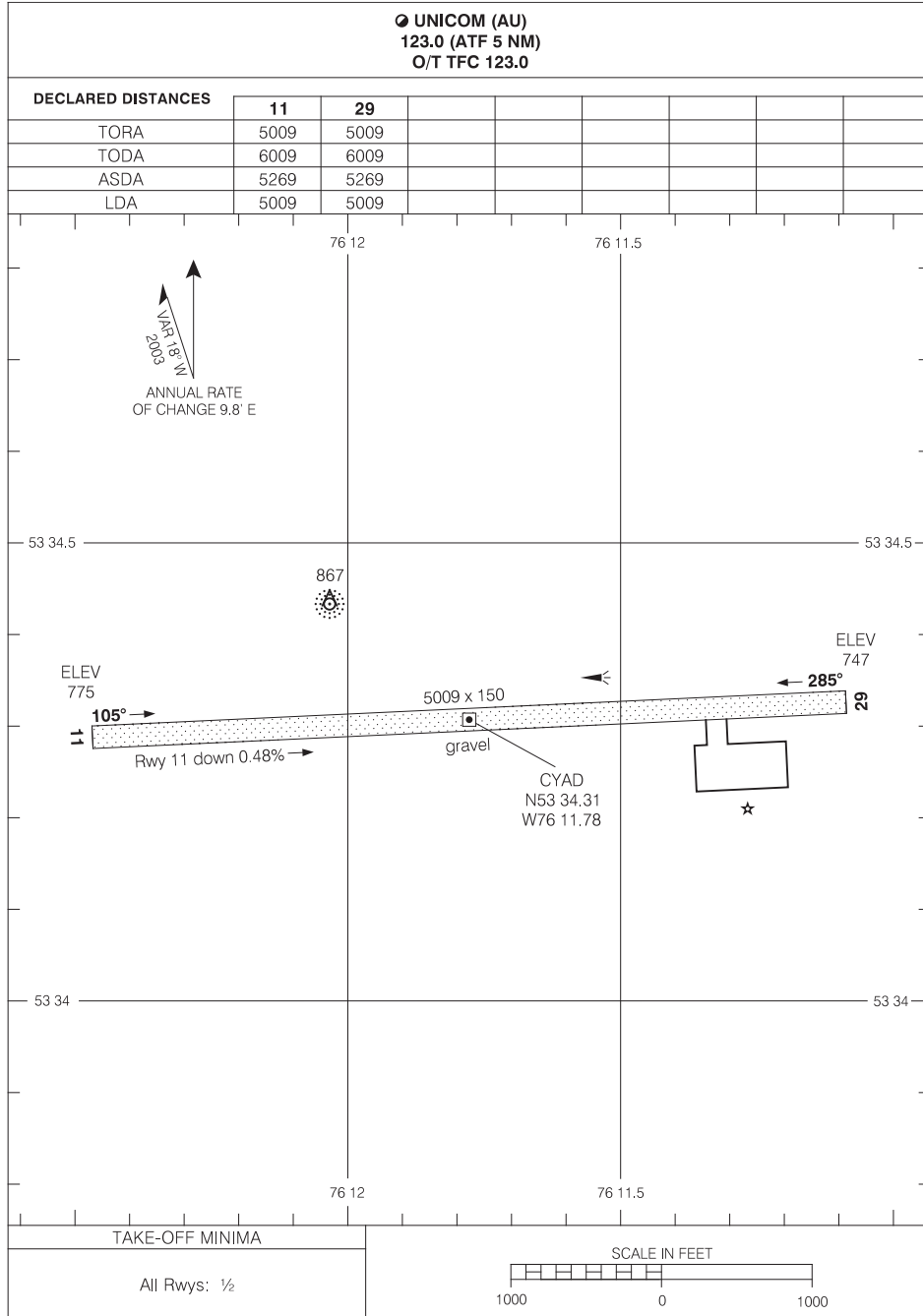
# CARTE D'AERODROME

LA GRANDE RIVIÈRE QC  
LA GRANDE RIVIÈRE  
NAD83

VAL 31 JUIL 08      CHANGEMENT: Comm

# AERODROME CHART

LA GRANDE-3  
SAKAMI QC



# AERODROME CHART

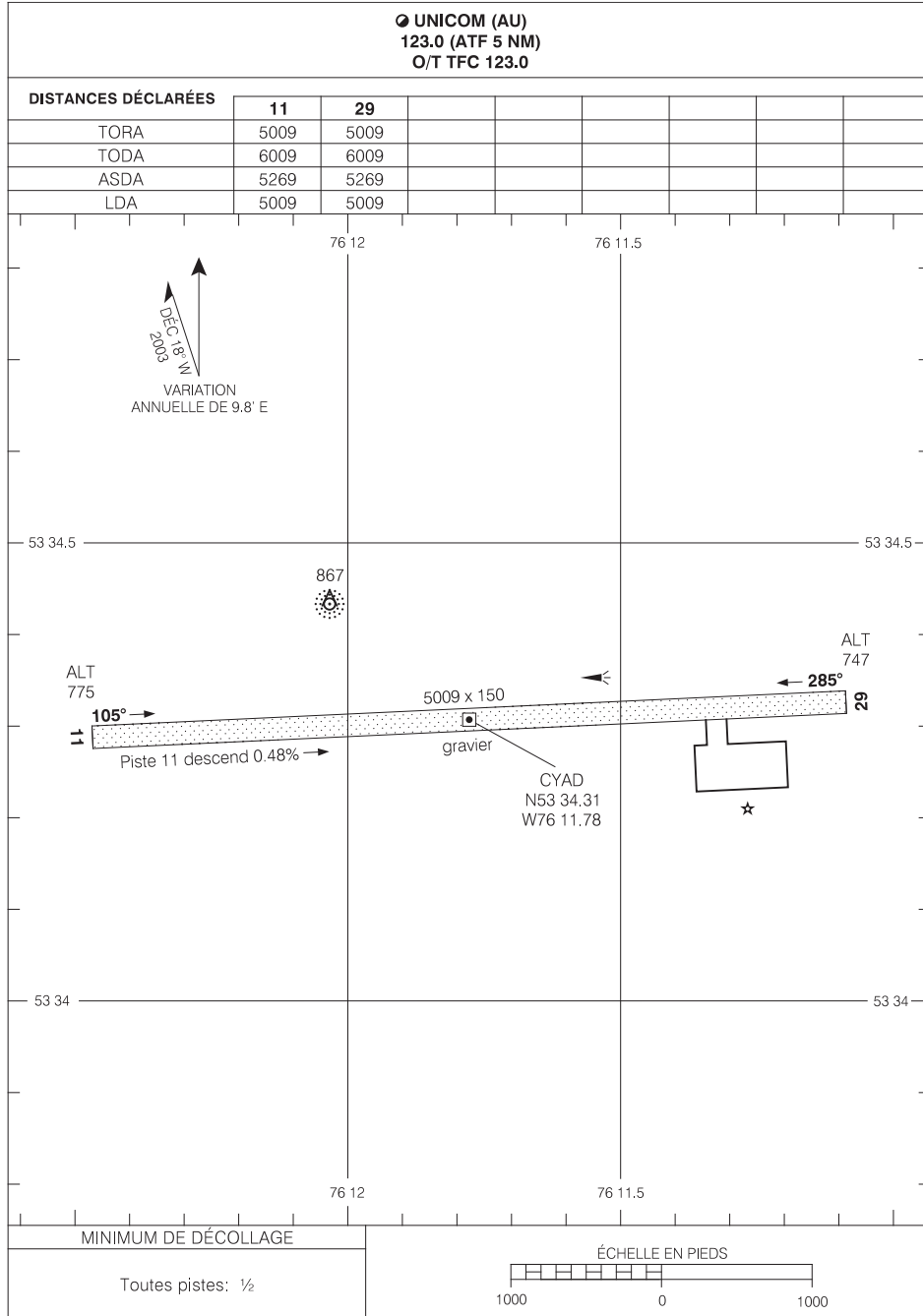
SAKAMI QC  
LA GRANDE-3  
NAD83

EFF 31 JUL 08

CHANGE: Revised

# CARTE D'AÉRODROME

LA GRANDE-3  
SAKAMI QC



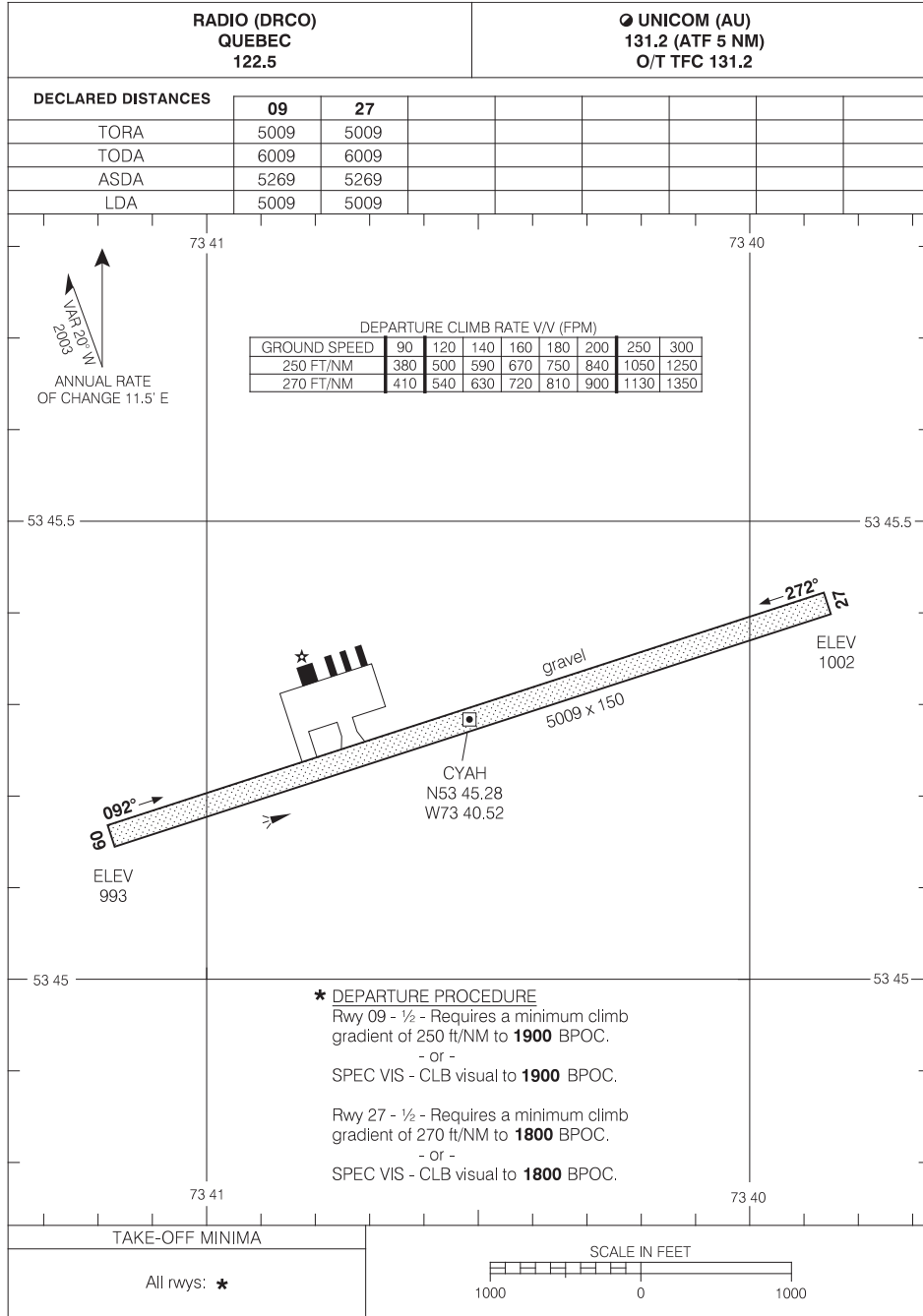
# CARTE D'AERODROME

SAKAMI QC  
LA GRANDE-3  
NAD83

VAL 31 JUIL 08      CHANGEMENT: Révisée

# AERODROME CHART

LA GRANDE-4  
LA GRANDE-4 QC



Source of Canadian Civil Aeronautical Data : © 2010 NAV CANADA All rights reserved

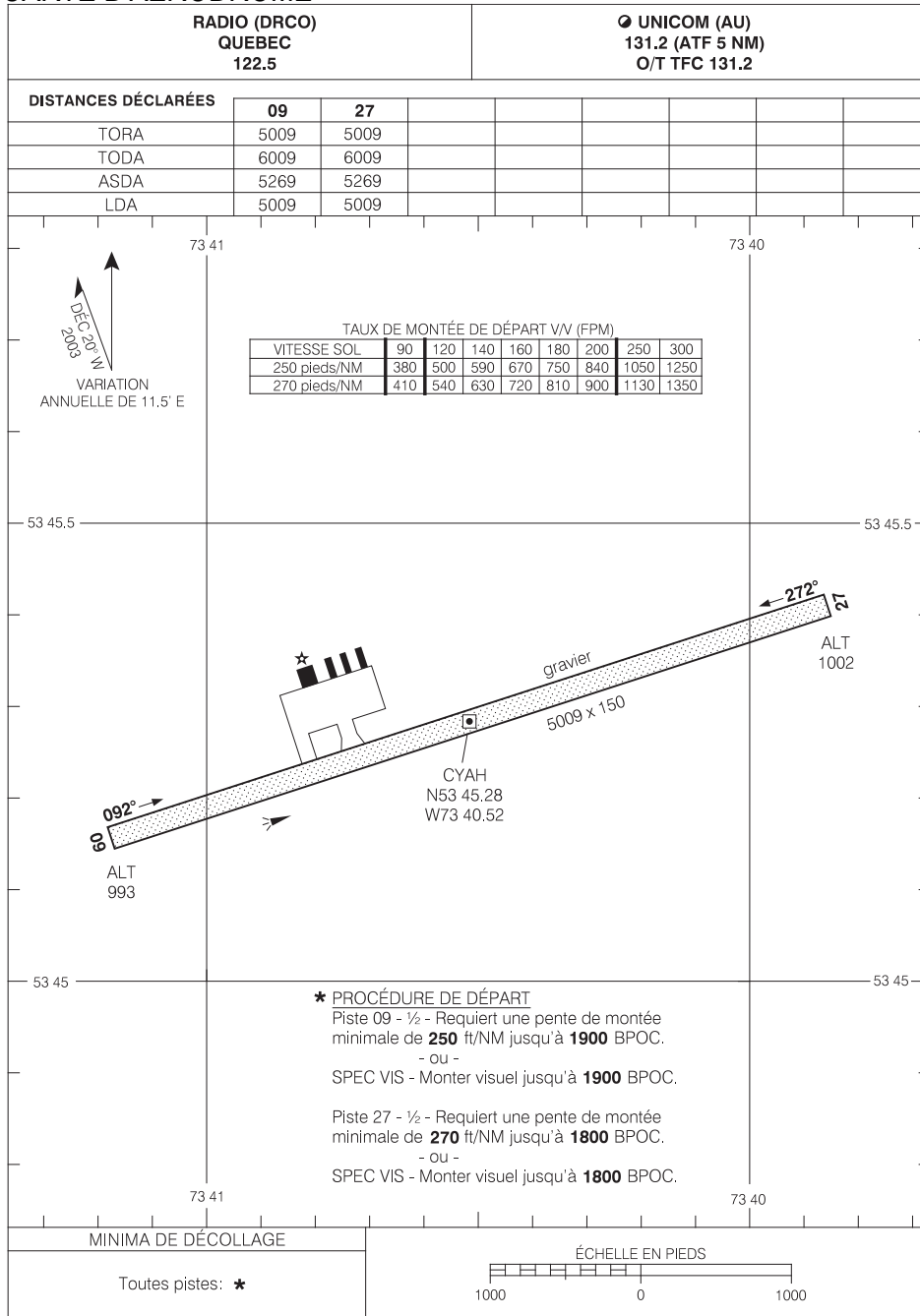
# AERODROME CHART

LA GRANDE-4 QC  
LA GRANDE-4  
NAD83

EFF 25 SEP 08 CHANGE: TODA Rwy 27

# CARTE D'AÉRODROME

LA GRANDE-4  
LA GRANDE-4 QC



# CARTE D'AERODROME

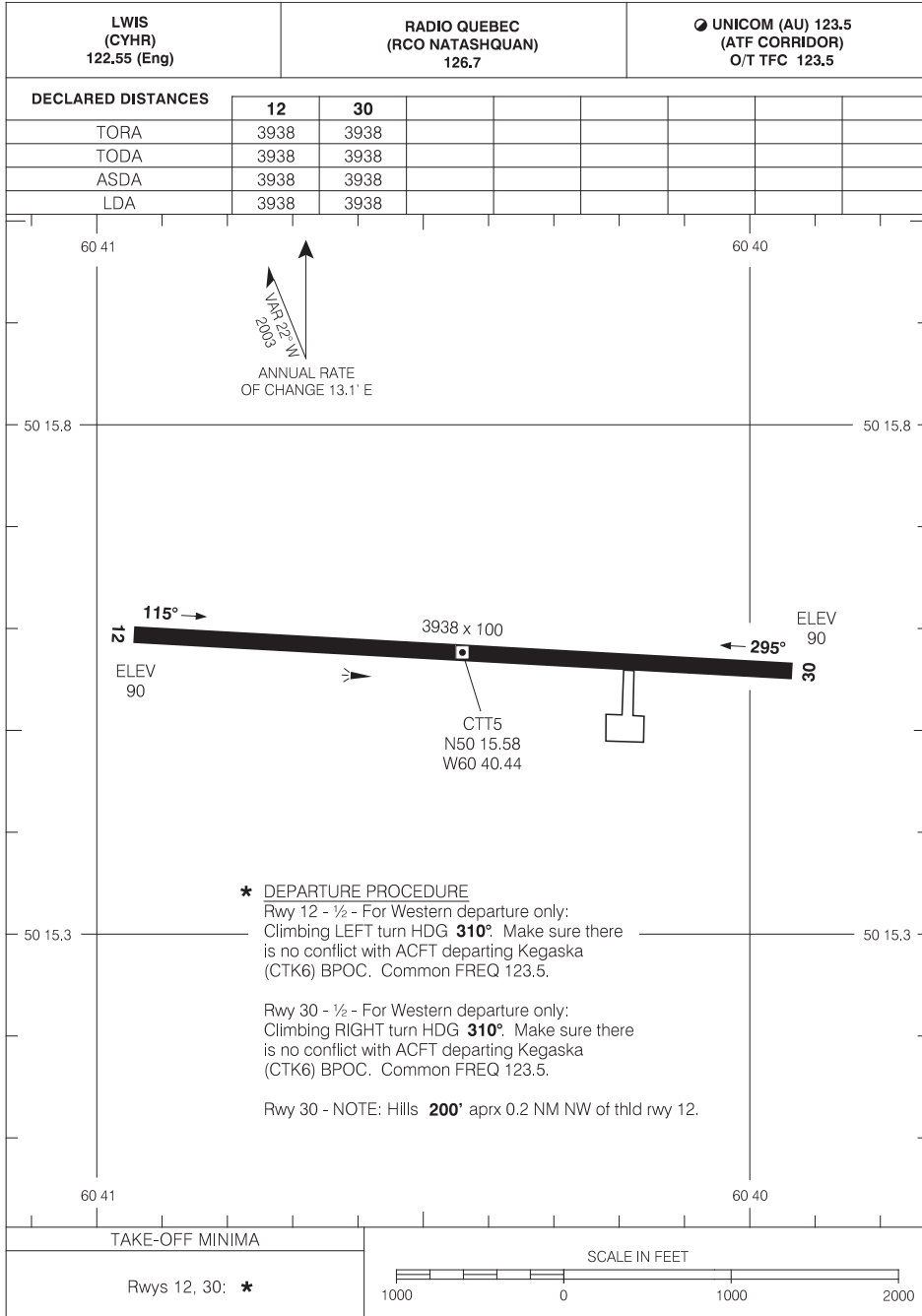
LA GRANDE-4 QC  
LA GRANDE-4  
NAD83

VAL 31 JUIL 08

CHANGEMENT: Distances déclarées, longueur de la piste

# AERODROME CHART

LA ROMAINE  
LA ROMAINE QC



Source of Canadian Civil Aeronautical Data : © 2010 NAV CANADA All rights reserved

# AERODROME CHART

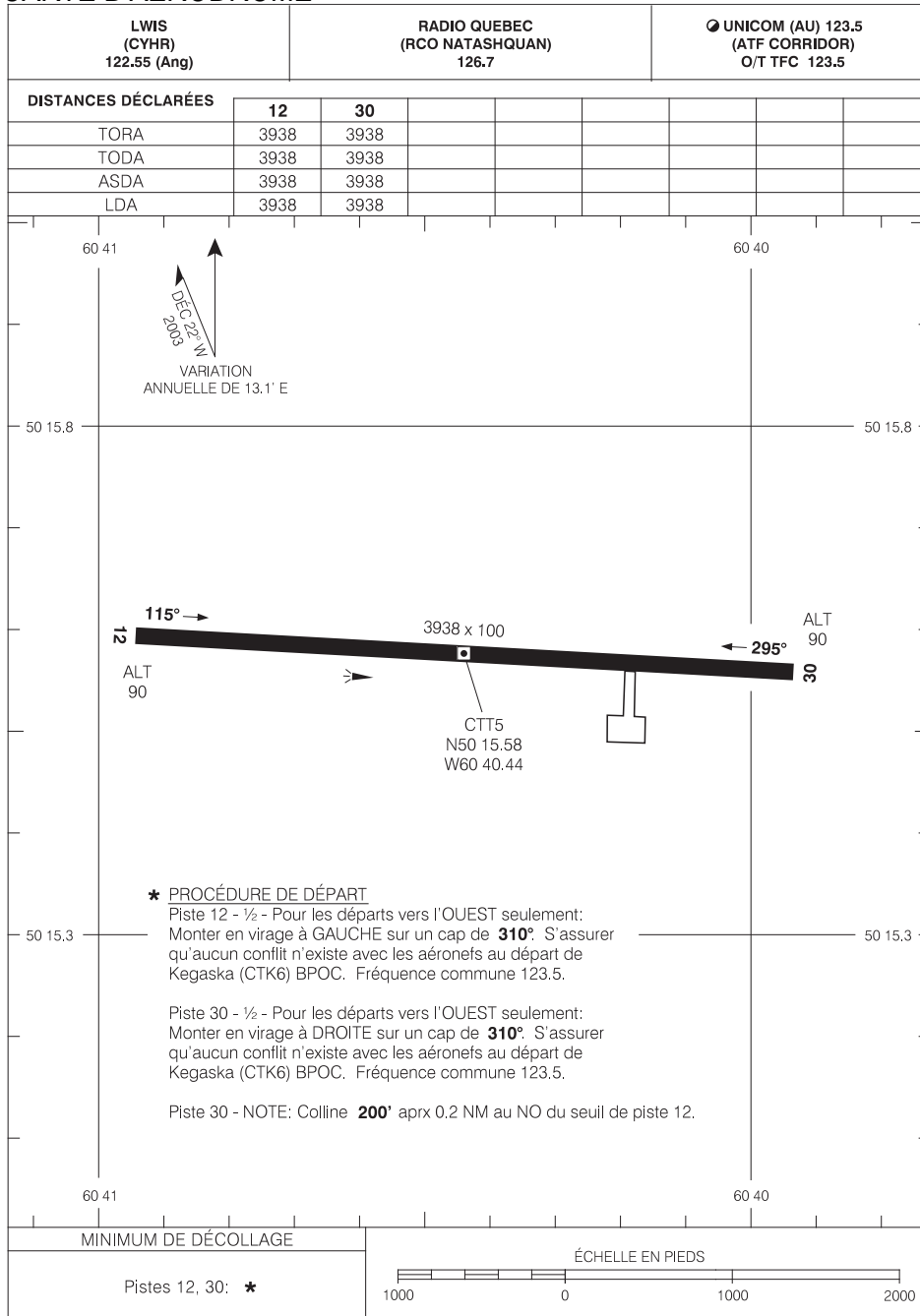
LA ROMAINE QC  
LA ROMAINE  
NAD83

EFF 20 DEC 07      CHANGE: Editorial



# CARTE D'AÉRODROME

LA ROMAINE  
LA ROMAINE QC



Source des données aéronautiques civiles pour le Canada © 2010 NAV CANADA Tous droits réservés

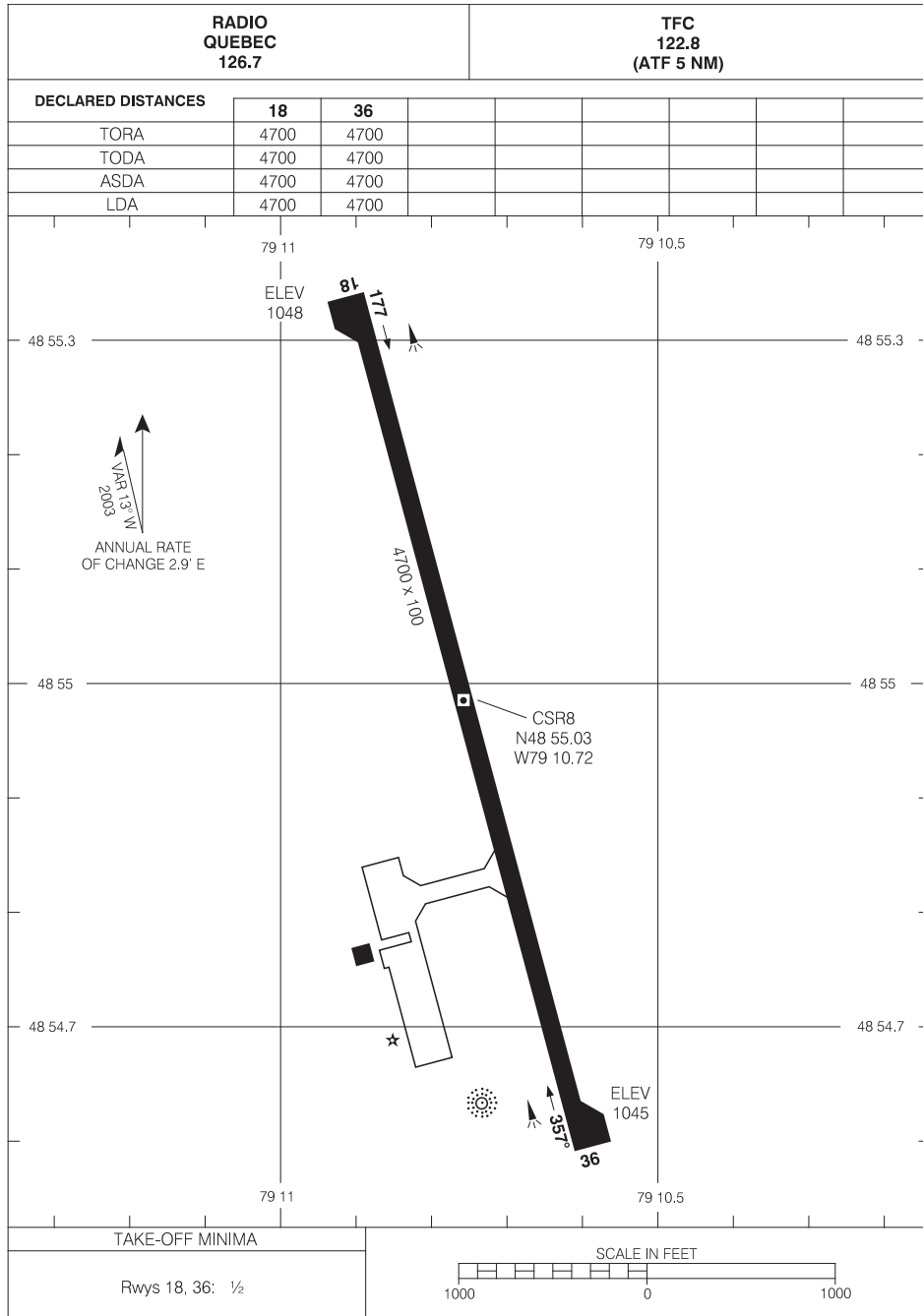
# CARTE D'AERODROME

LA ROMAINE QC  
LA ROMAINE  
NAD83

VAL 20 DÉC 07      CHANGEMENT: Editorial

# AERODROME CHART

LA SARRE  
LA SARRE QC



Source of Canadian Civil Aeronautical Data : © 2010 NAV CANADA All rights reserved

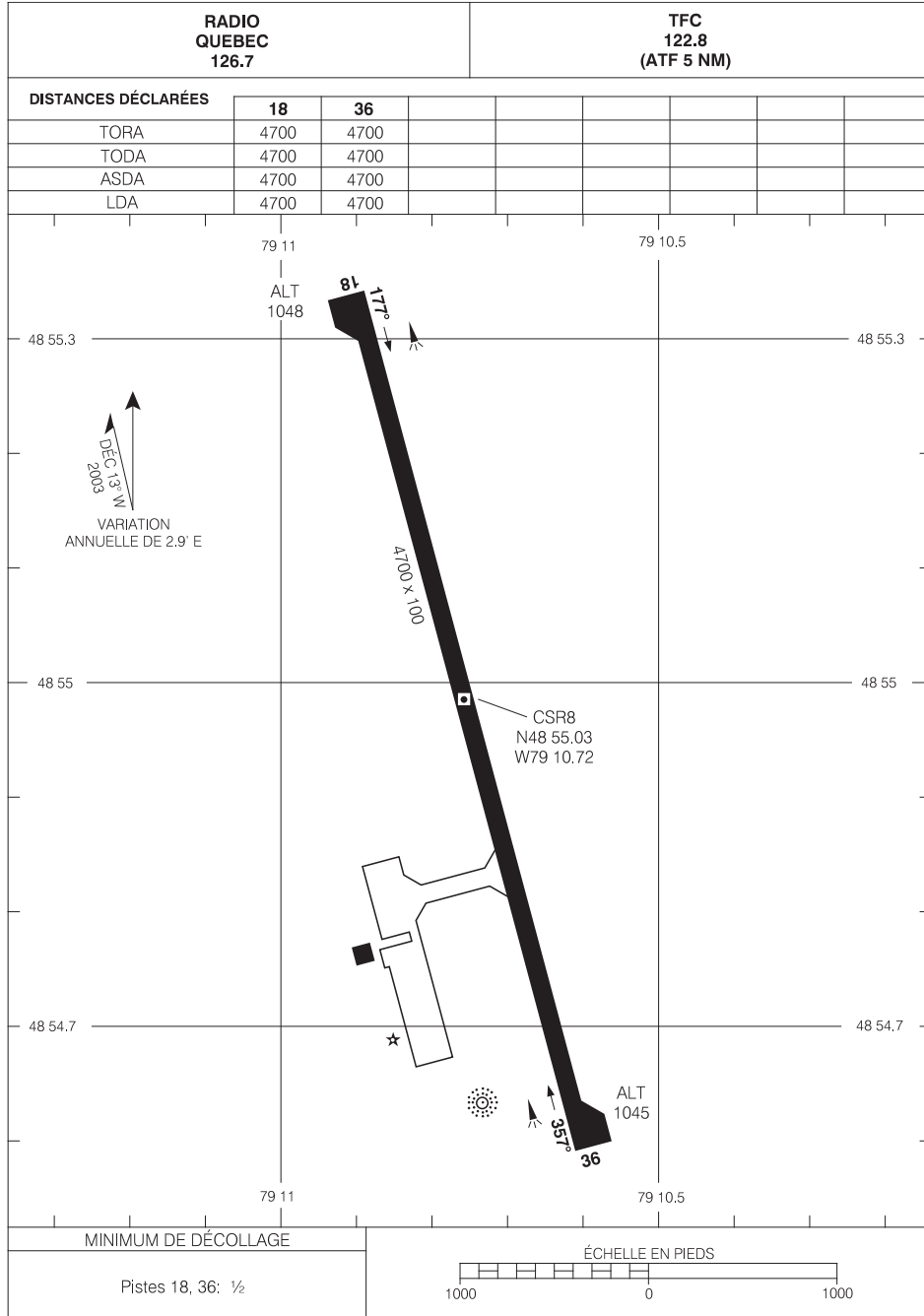
# AERODROME CHART

LA SARRE QC  
LA SARRE  
NAD83

EFF 13 APR 06 CHANGE: Thld elev added

# CARTE D'AÉRODROME

LA SARRE  
LA SARRE QC



Source des données aéronautiques civiles pour le Canada: © 2010 NAV CANADA Tous droits réservés

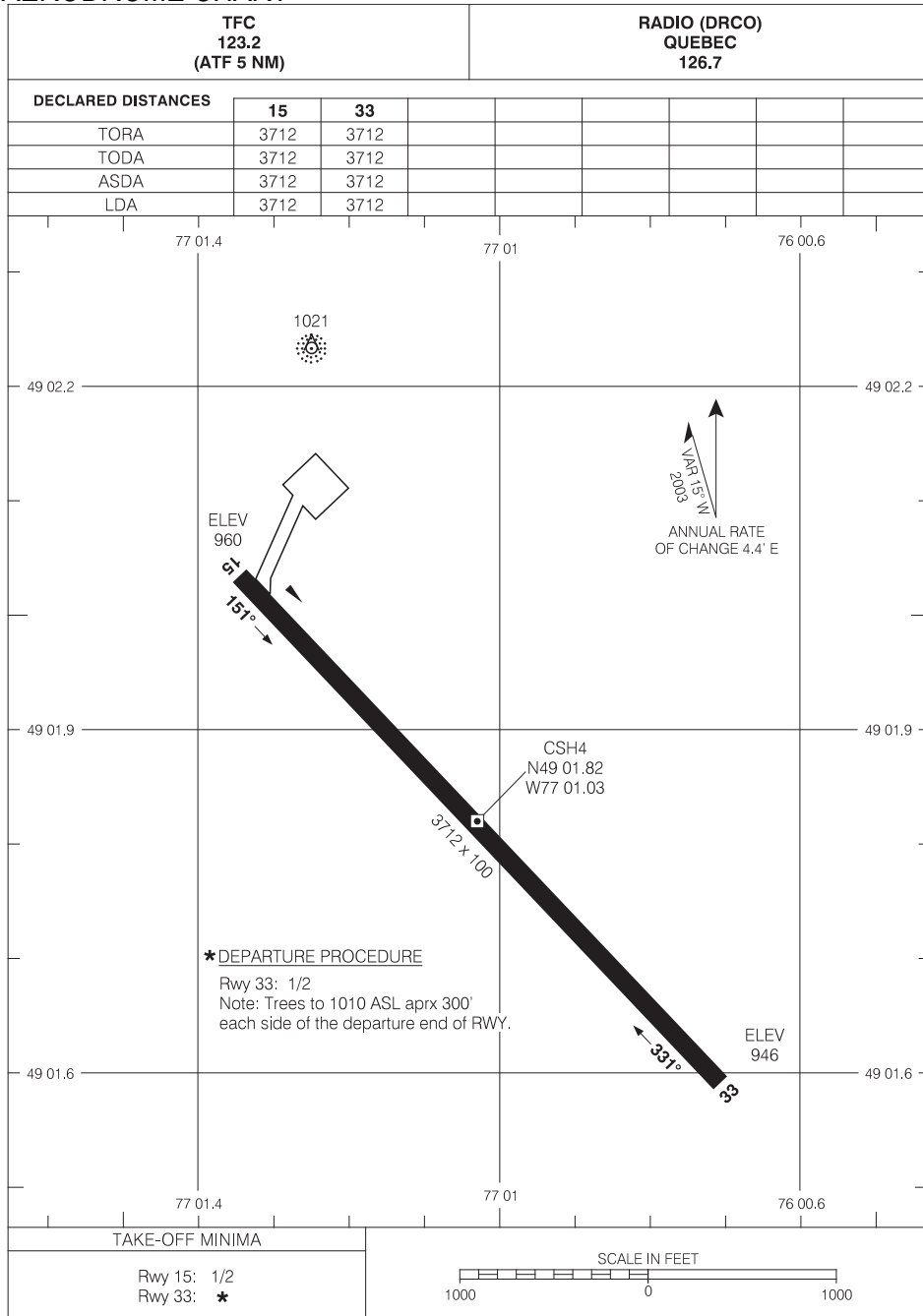
# CARTE D'AÉRODROME

LA SARRE QC  
LA SARRE  
NAD83

VAL 13 AVR 06      CHANGEMENT: Alt des seuils ajoutées

# AERODROME CHART

LEBEL-SUR-QUÉVILLON  
LEBEL-SUR-QUÉVILLON QC



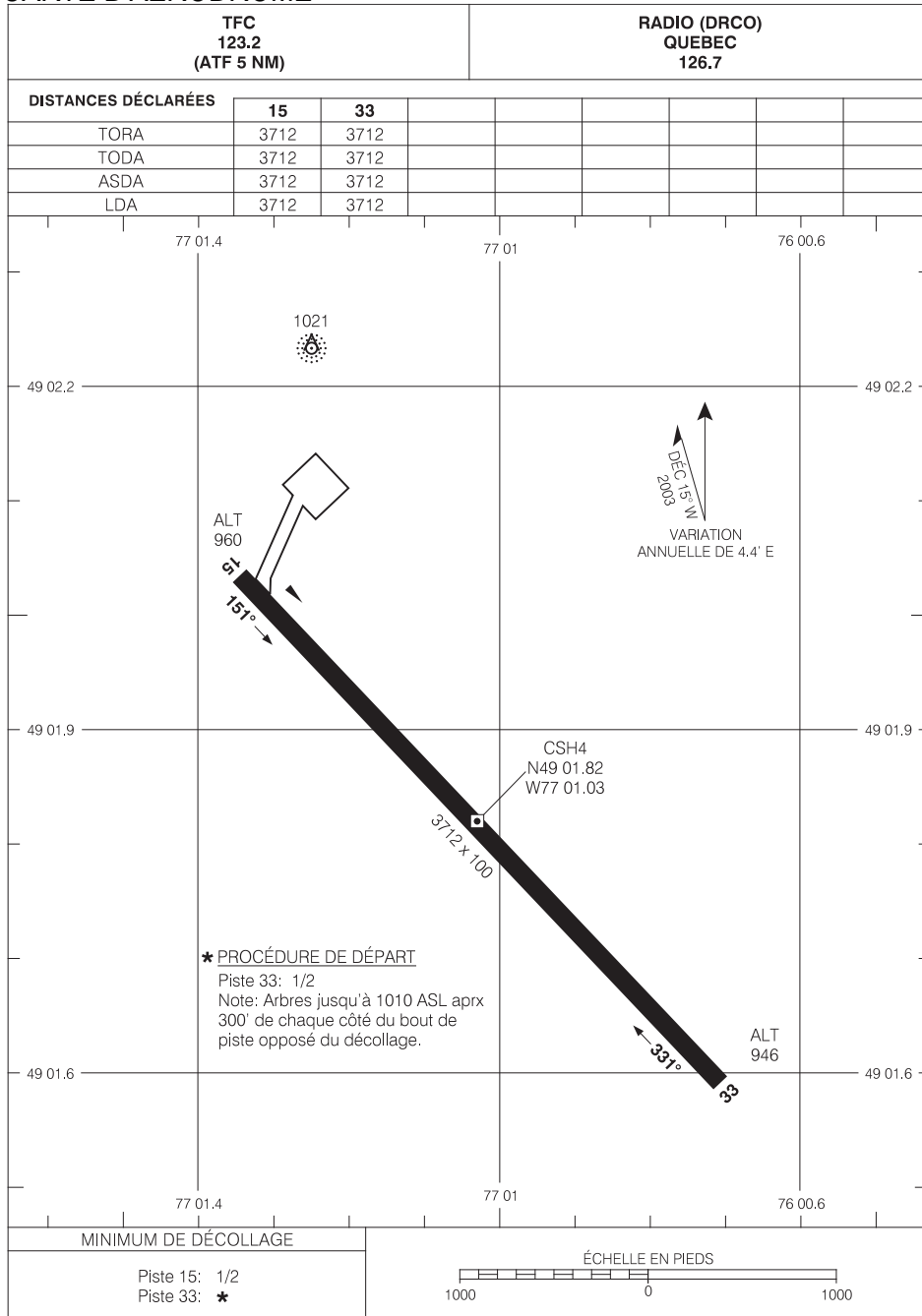
# AERODROME CHART

LEBEL-SUR-QUÉVILLON QC  
LEBEL-SUR-QUÉVILLON  
NAD83

EFF 13 APR 06 CHANGE: Editorial

# CARTE D'AÉRODROME

LEBEL-SUR-QUÉVILLON  
LEBEL-SUR-QUÉVILLON QC



# CARTE D'AÉRODROME

LEBEL-SUR-QUÉVILLON QC  
LEBEL-SUR-QUÉVILLON

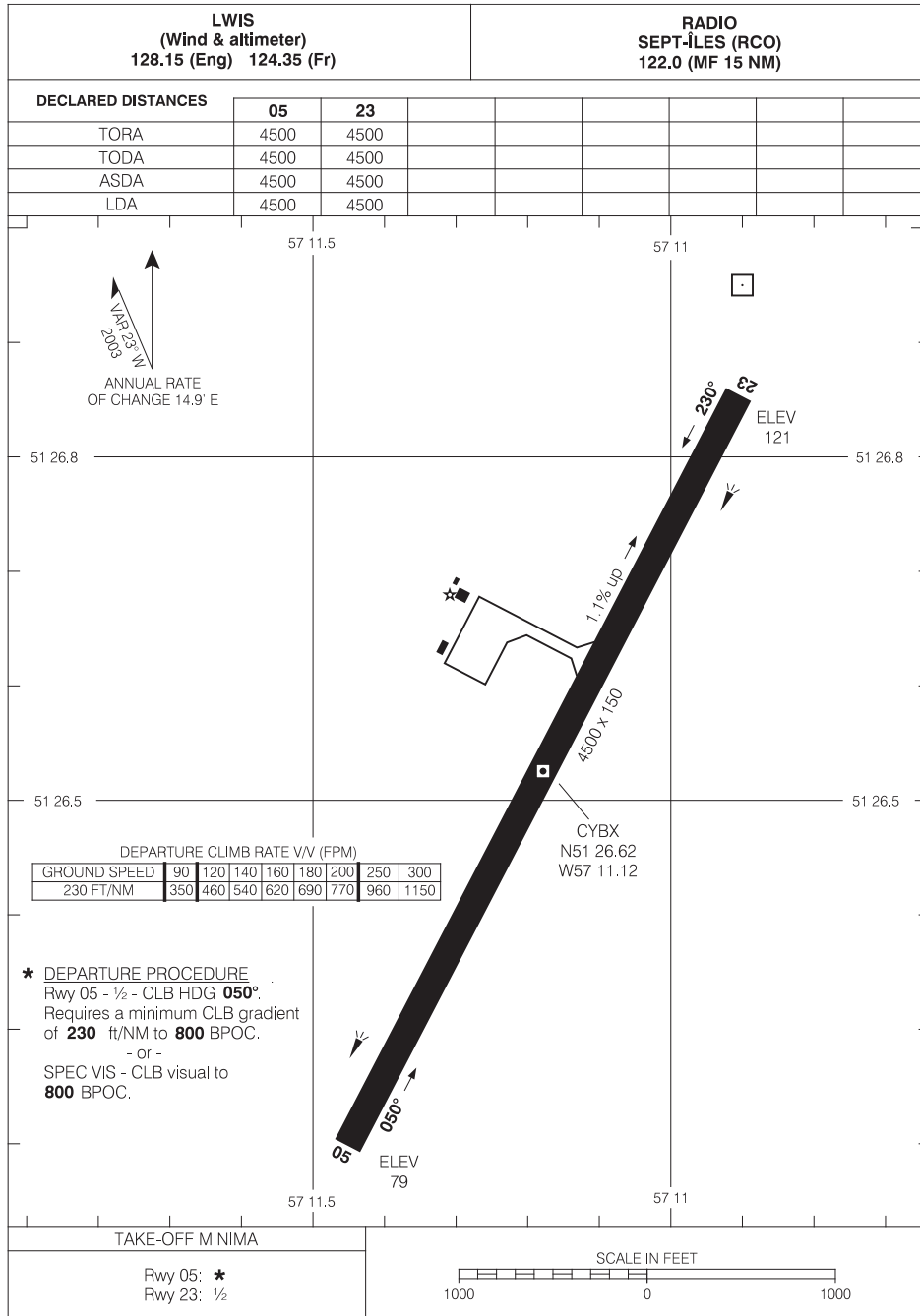
VAL 13 AVR 06

CHANGEMENT: Éditorial

NAD83

# AERODROME CHART

LOURDES-DE-BLANC-SABLON  
LOURDES-DE-BLANC-SABLON QC



Source of Canadian Civil Aeronautical Data : © 2010 NAV CANADA All rights reserved

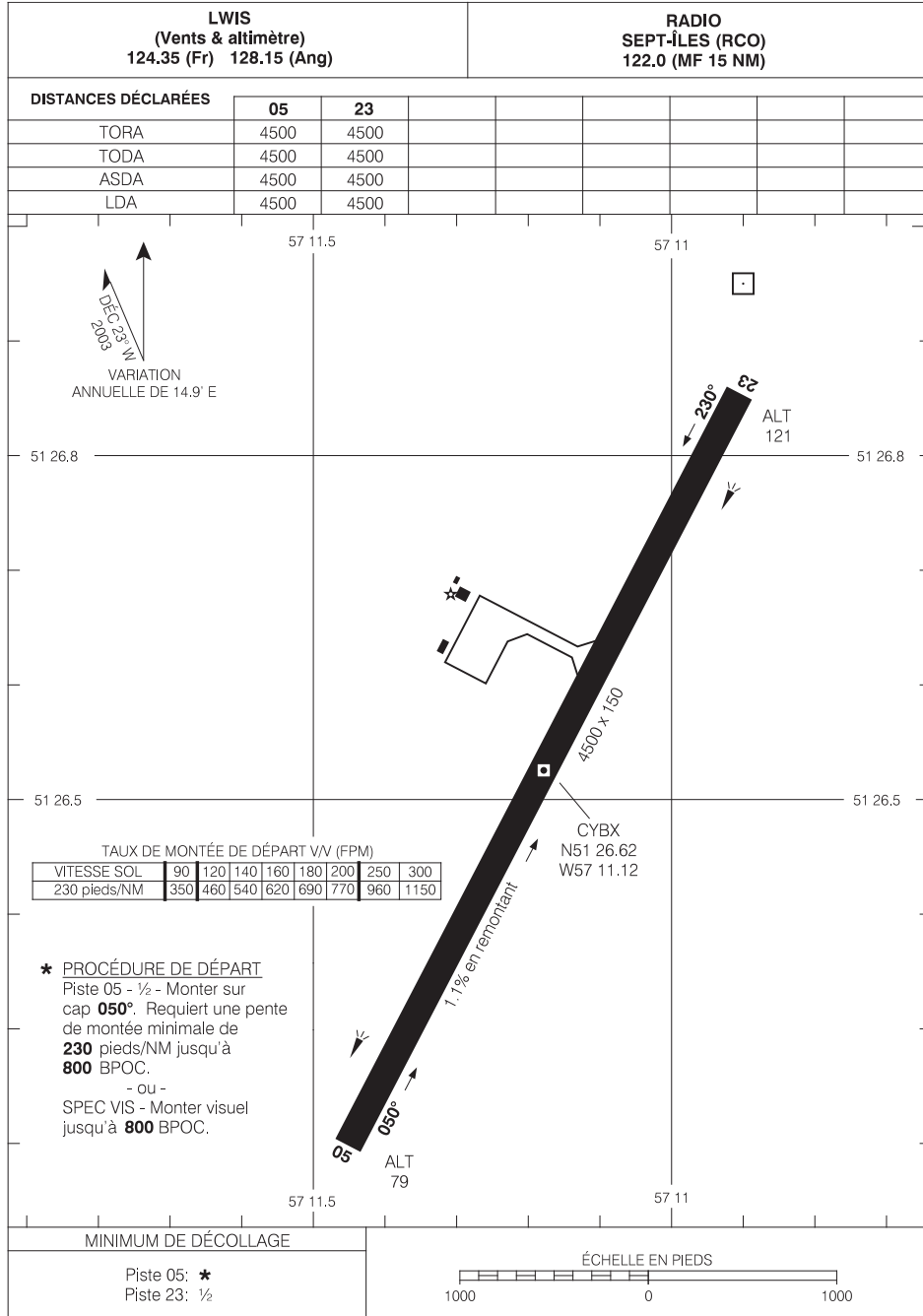
# AERODROME CHART

LOURDES-DE-BLANC-SABLON QC  
LOURDES-DE-BLANC-SABLON  
NAD83

EFF 14 FEB 08 CHANGE: COMM box

# CARTE D'AÉRODROME

LOURDES-DE-BLANC-SABLON  
LOURDES-DE-BLANC-SABLON QC



Source des données aéronautiques civiles pour le Canada © 2010 NAV CANADA Tous droits réservés

# CARTE D'AÉRODROME

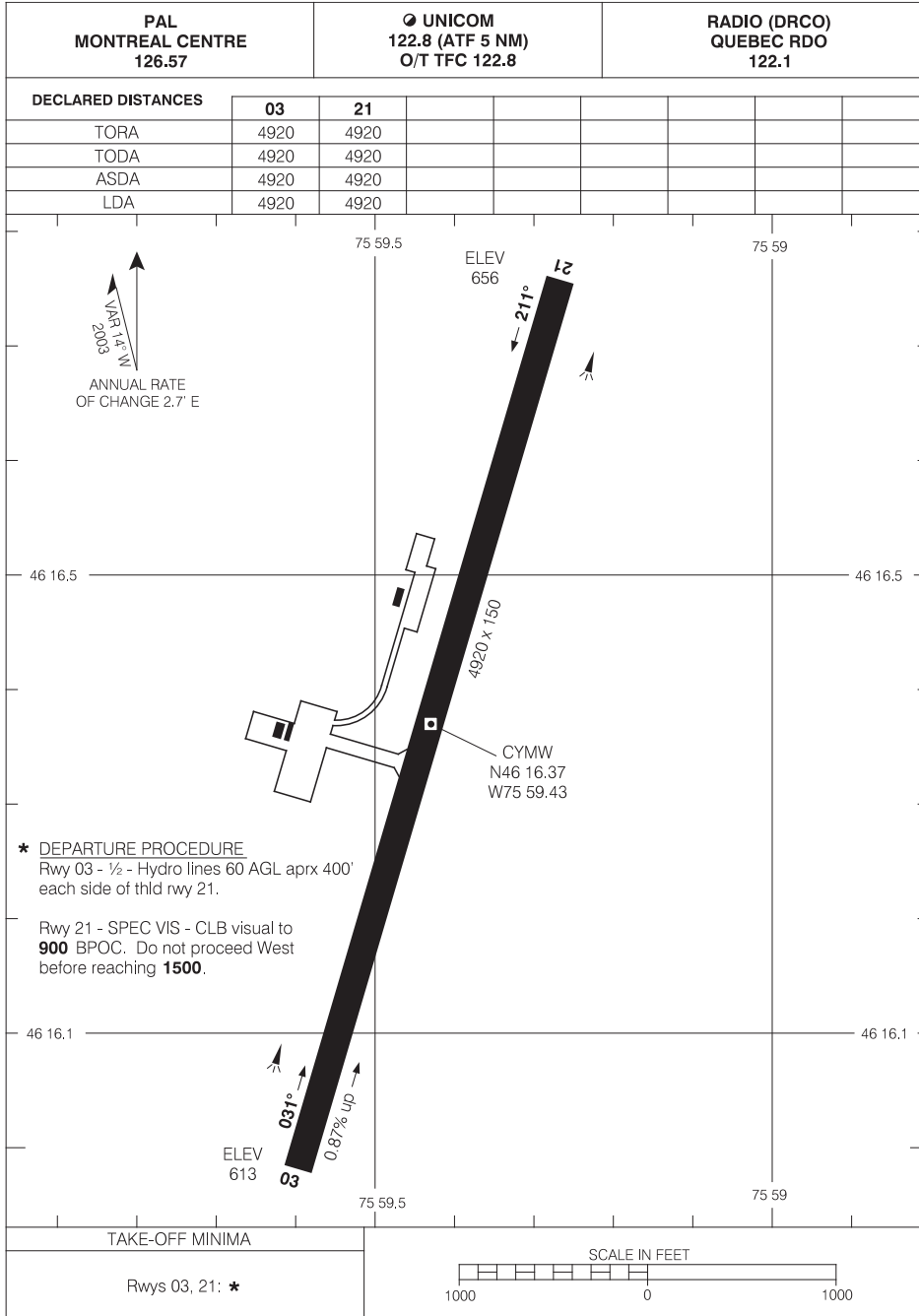
LOURDES-DE-BLANC-SABLON QC  
LOURDES-DE-BLANC-SABLON  
NAD83

VAL 14 FÉV 08

CHANGEMENT: Unité de COMM

# AERODROME CHART

MANIWAKI  
MANIWAKI QC



# AERODROME CHART

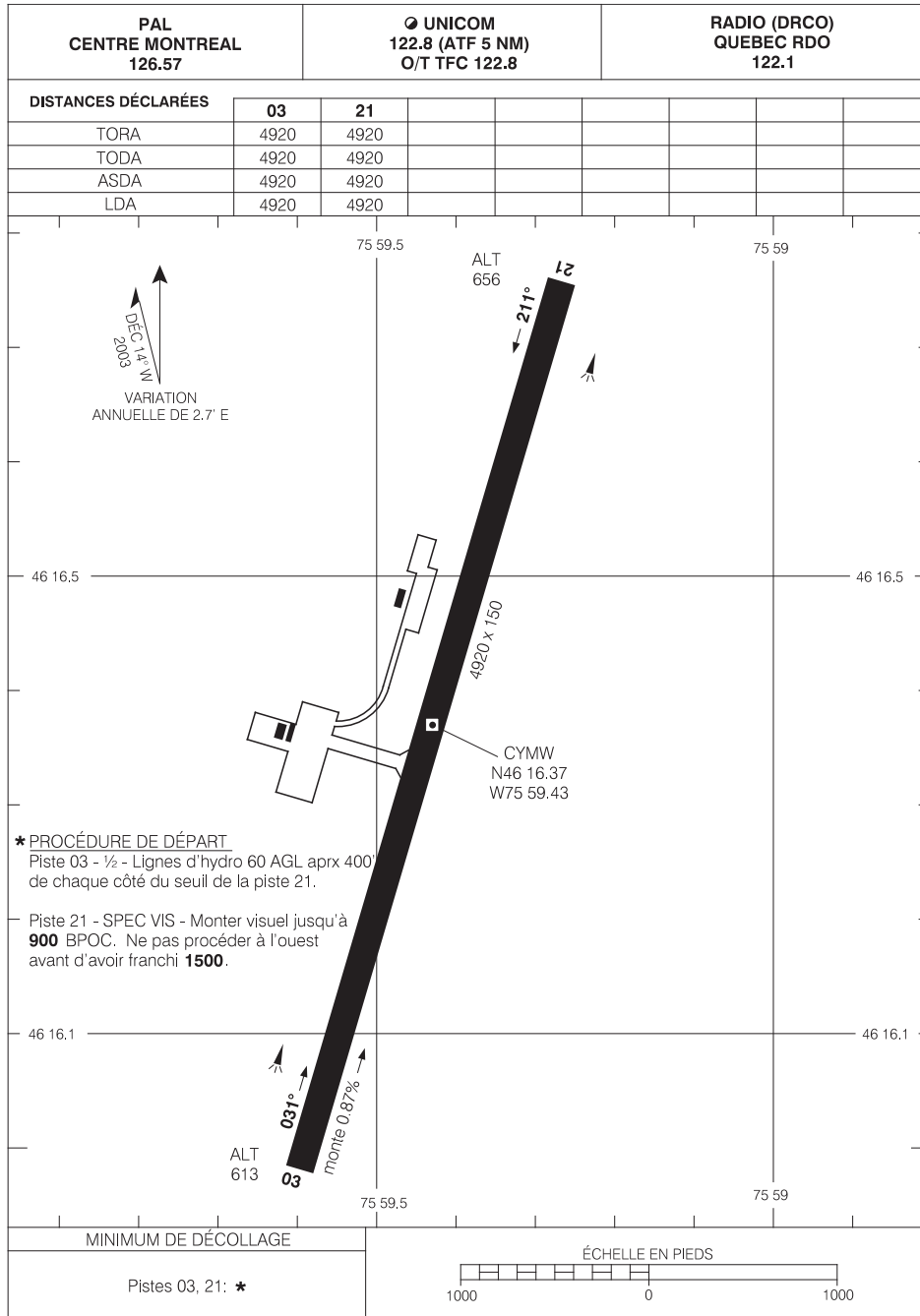
MANIWAKI QC  
MANIWAKI  
NAD83

EFF 13 APR 06 CHANGE: Editorial



# CARTE D'AÉRODROME

MANIWAKI  
MANIWAKI QC



Source des données aéronautiques civiles pour le Canada © 2010 NAV CANADA Tous droits réservés

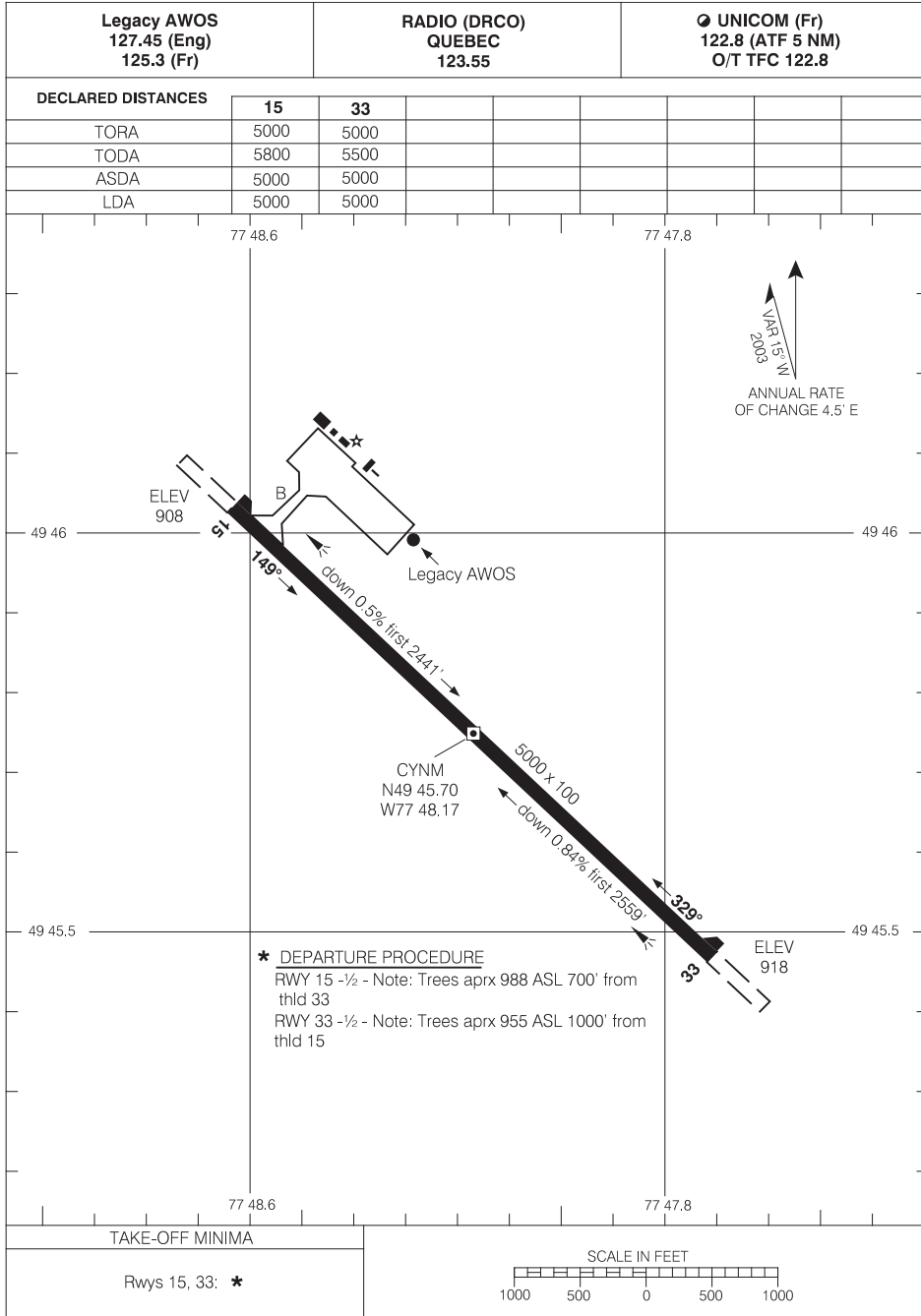
# CARTE D'AERODROME

MANIWAKI QC  
MANIWAKI  
NAD83

VAL 13 AVR 06      CHANGEMENT: Éditorial

# AERODROME CHART

MATAGAMI  
MATAGAMI QC



Source of Canadian Civil Aeronautical Data : © 2010 NAV CANADA All rights reserved

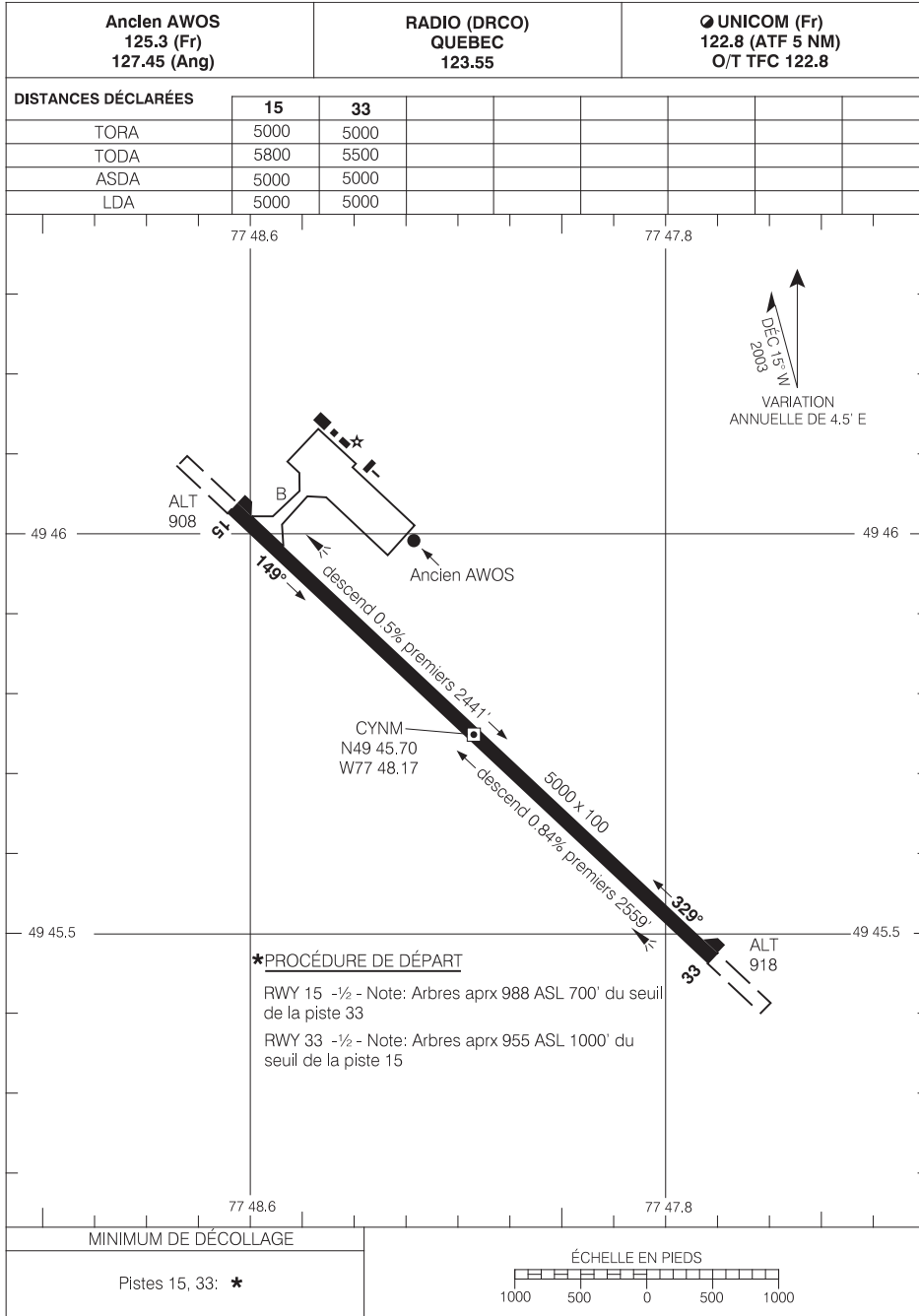
# AERODROME CHART

MATAGAMI QC  
MATAGAMI  
NAD83

EFF 20 NOV 08 CHANGE: AWOS

# CARTE D'AÉRODROME

MATAGAMI  
MATAGAMI QC



**\*PROCÉDURE DE DÉPART**  
 RWY 15 -½ - Note: Arbres aprx 988 ASL 700' du seuil de la piste 33  
 RWY 33 -½ - Note: Arbres aprx 955 ASL 1000' du seuil de la piste 15

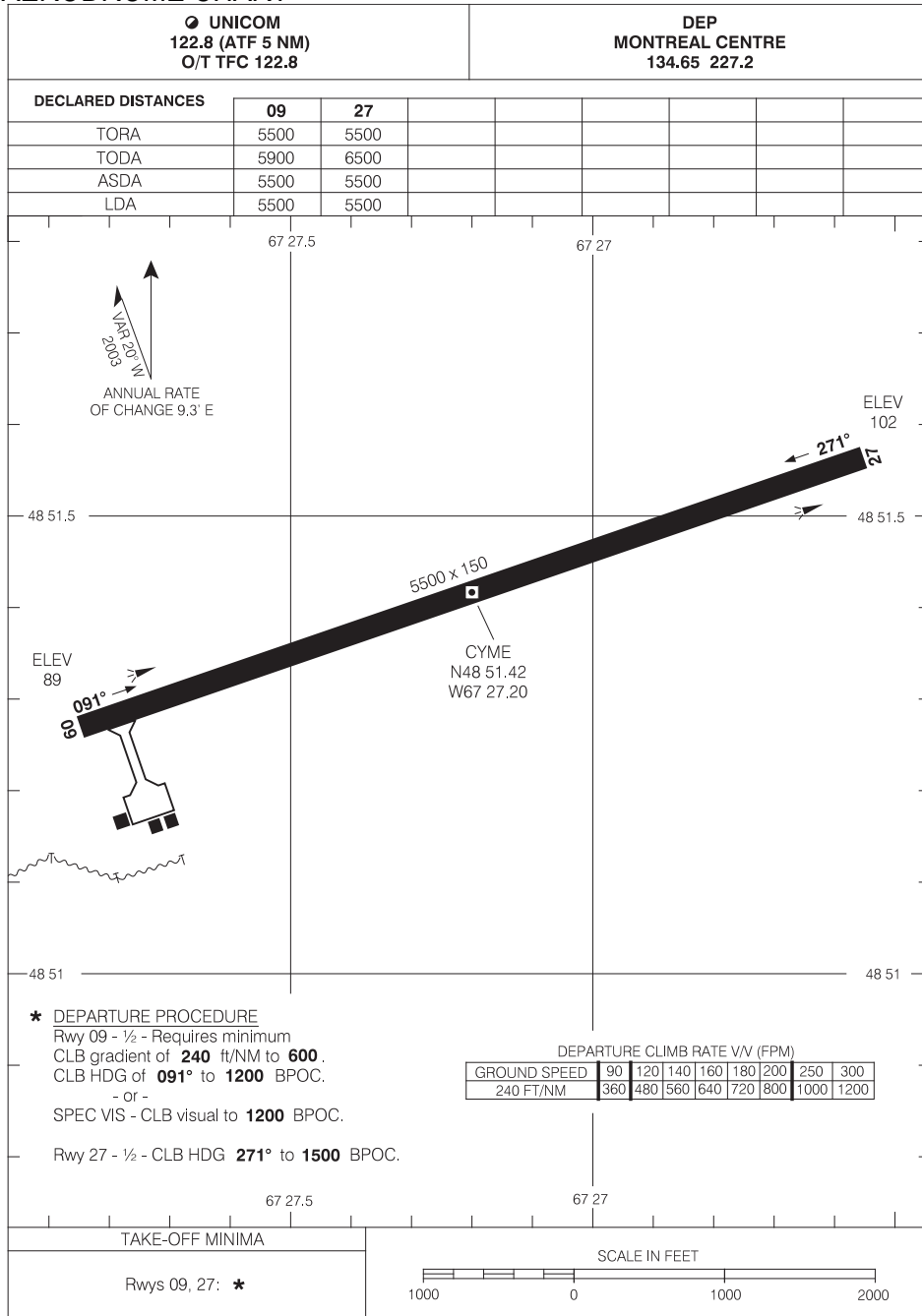
# CARTE D'AERODROME

MATAGAMI QC  
MATAGAMI  
NAD83

VAL 20 NOV 08      CHANGEMENT: AWOS

# AERODROME CHART

MATANE  
MATANE QC



Source of Canadian Civil Aeronautical Data : © 2010 NAV CANADA All rights reserved

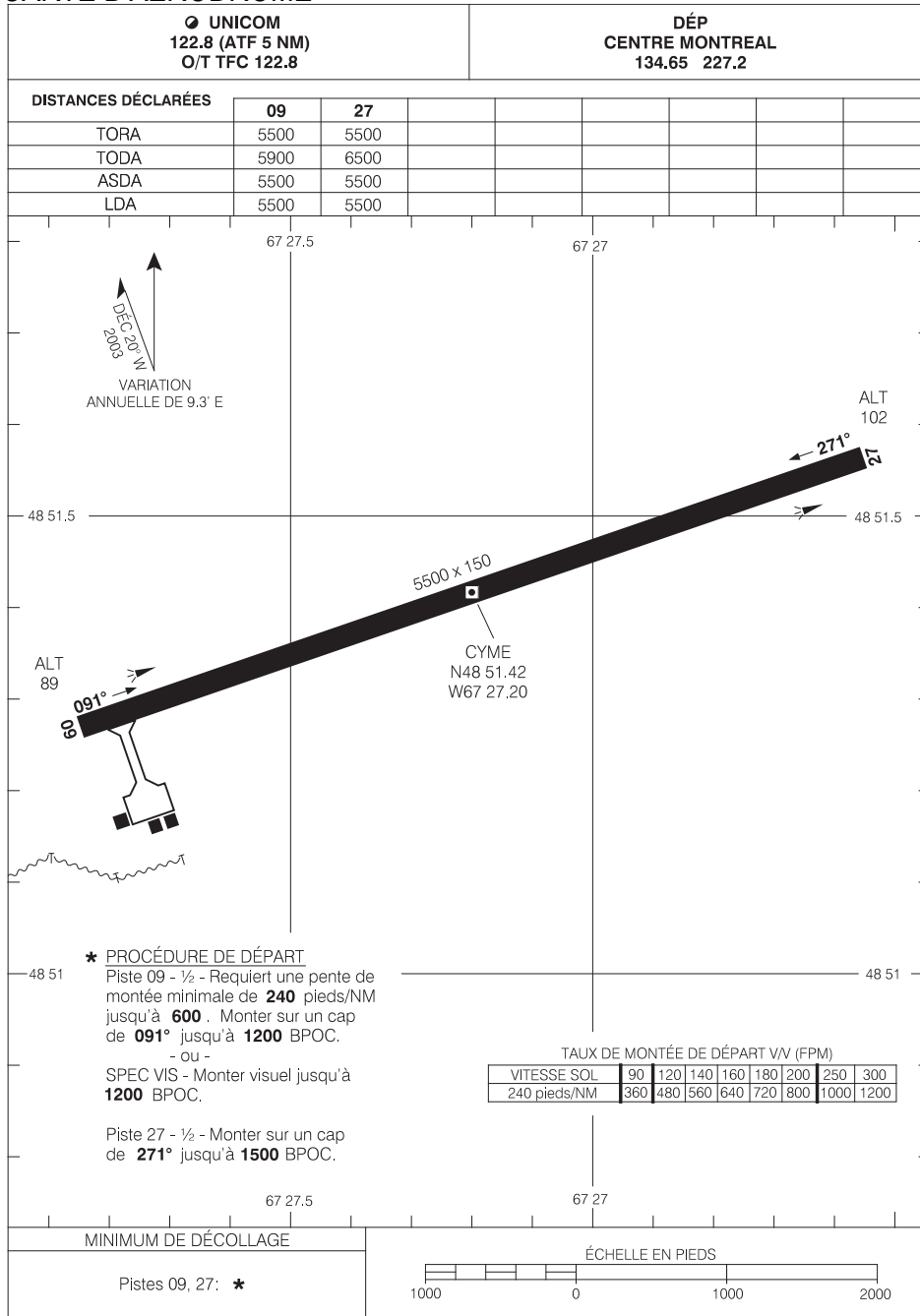
# AERODROME CHART

MATANE QC  
MATANE  
NAD83

EFF 22 OCT 09 CHANGE: Revised

# CARTE D'AÉRODROME

MATANE  
MATANE QC



Source des données aéronautiques civiles pour le Canada: © 2010 NAV CANADA Tous droits réservés

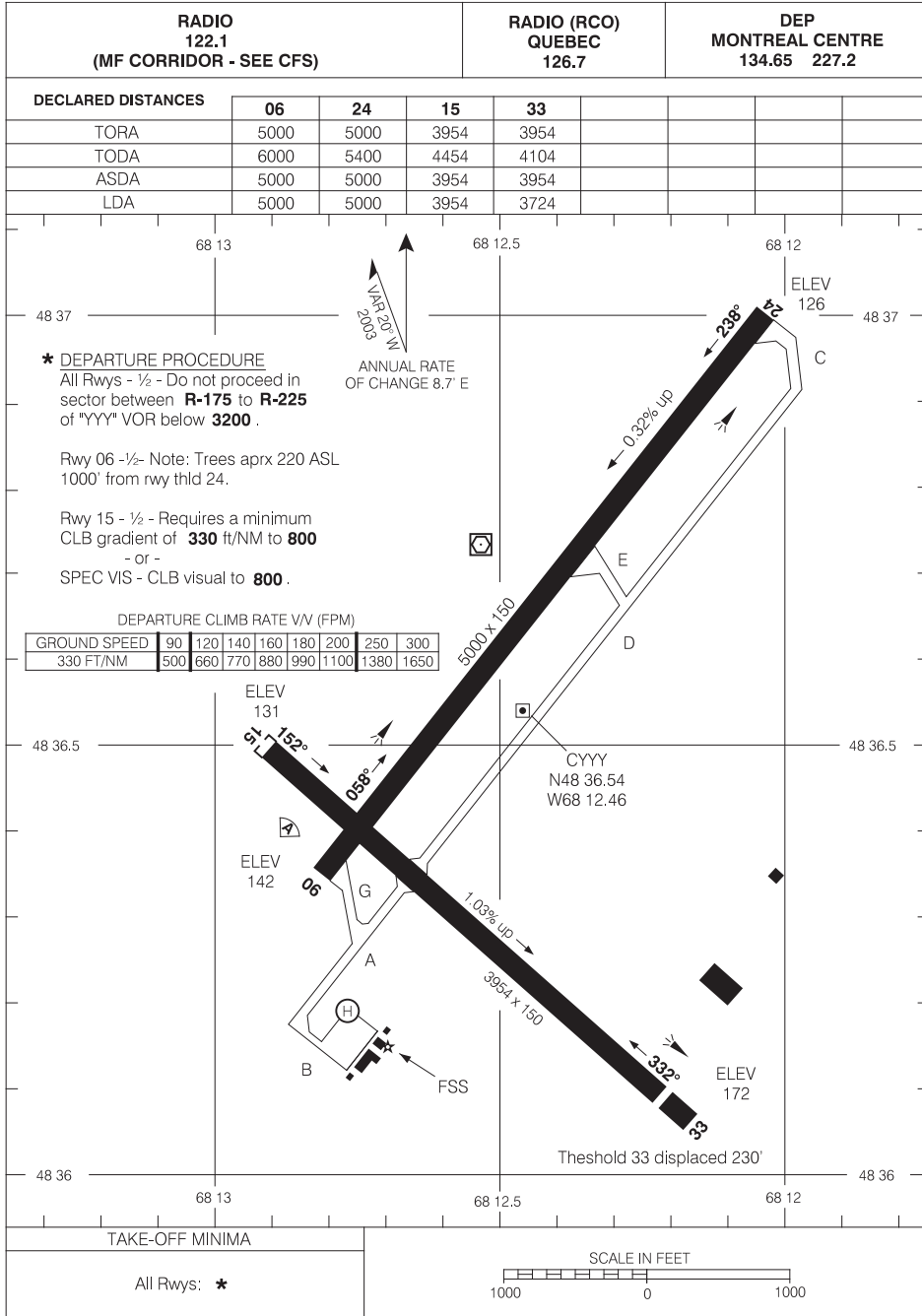
# CARTE D'AERODROME

MATANE QC  
MATANE  
NAD83

VAL 22 OCT 09      CHANGEMENT: Révisée

# AERODROME CHART

MONT-JOLI  
MONT-JOLI QC



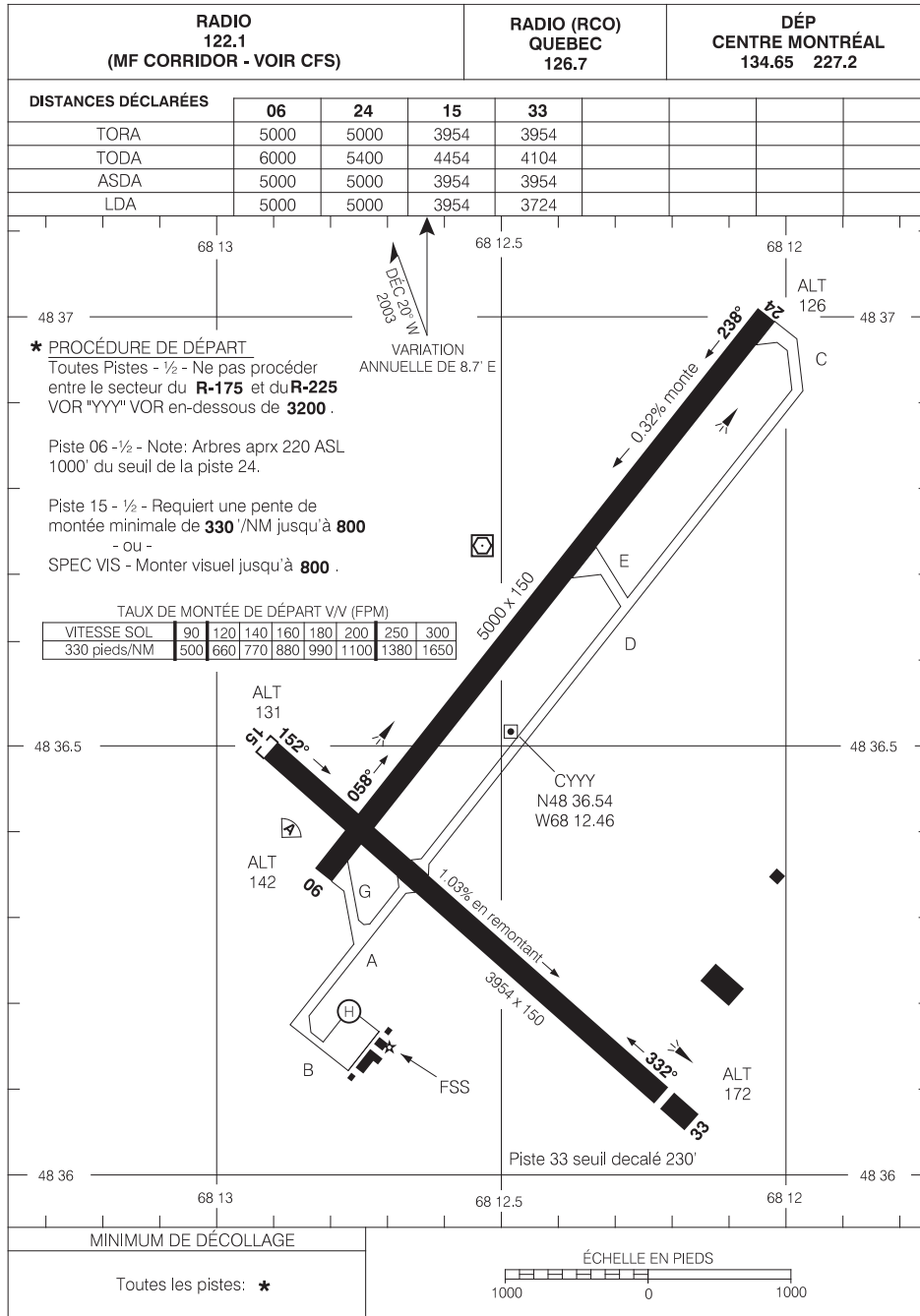
# AERODROME CHART

MONT-JOLI QC  
MONT-JOLI  
NAD83

EFF 27 AUG 09 CHANGE: VOT deleted

# CARTE D'AÉRODROME

MONT-JOLI  
MONT-JOLI QC



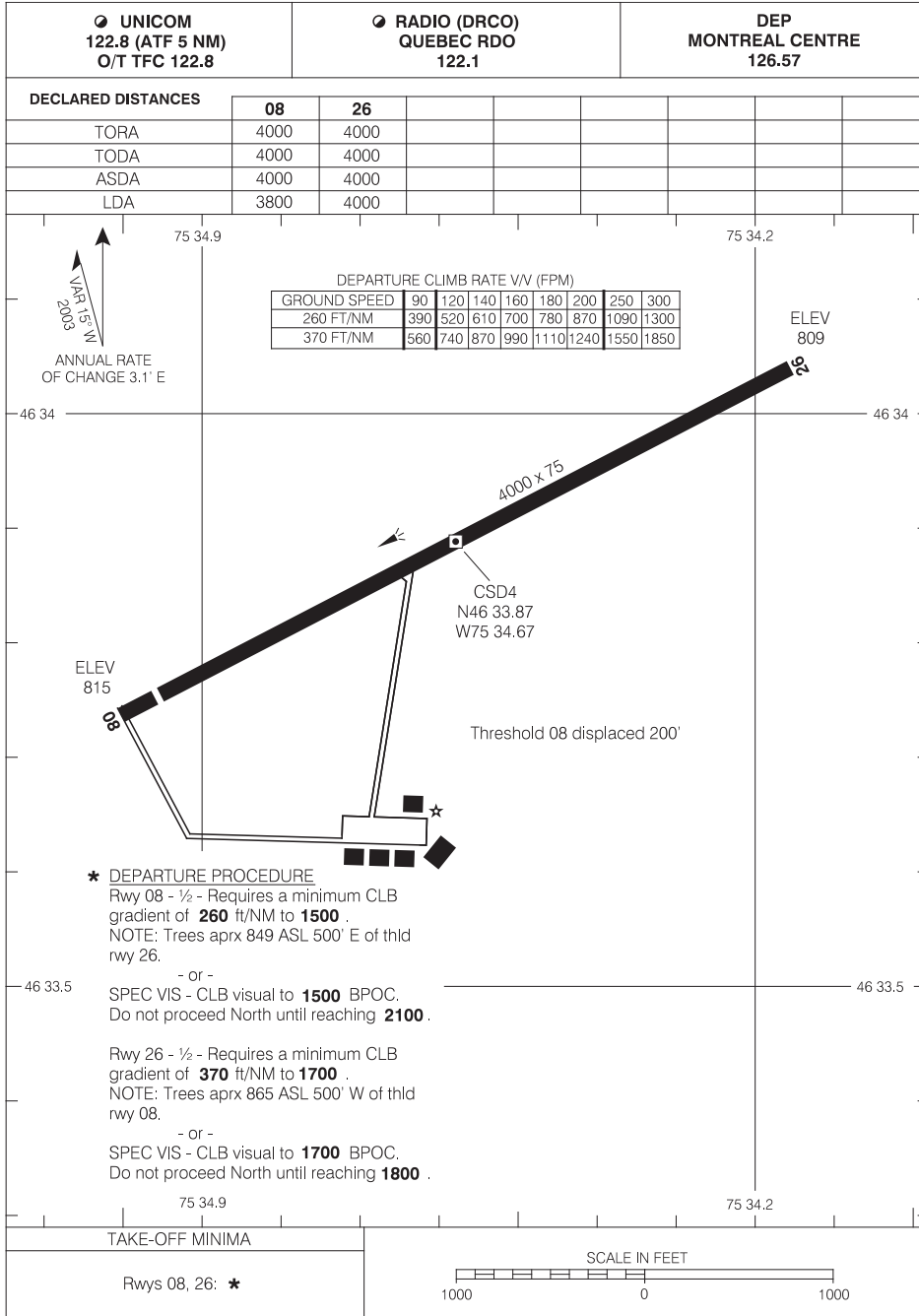
# CARTE D'AERODROME

MONT-JOLI QC  
MONT-JOLI  
NAD83

VAL 27 AOÛT 09    CHANGEMENT: VOT supprimé

# AERODROME CHART

MONT-LAURIER  
MONT-LAURIER QC



Source of Canadian Civil Aeronautical Data : © 2010 NAV CANADA All rights reserved

# AERODROME CHART

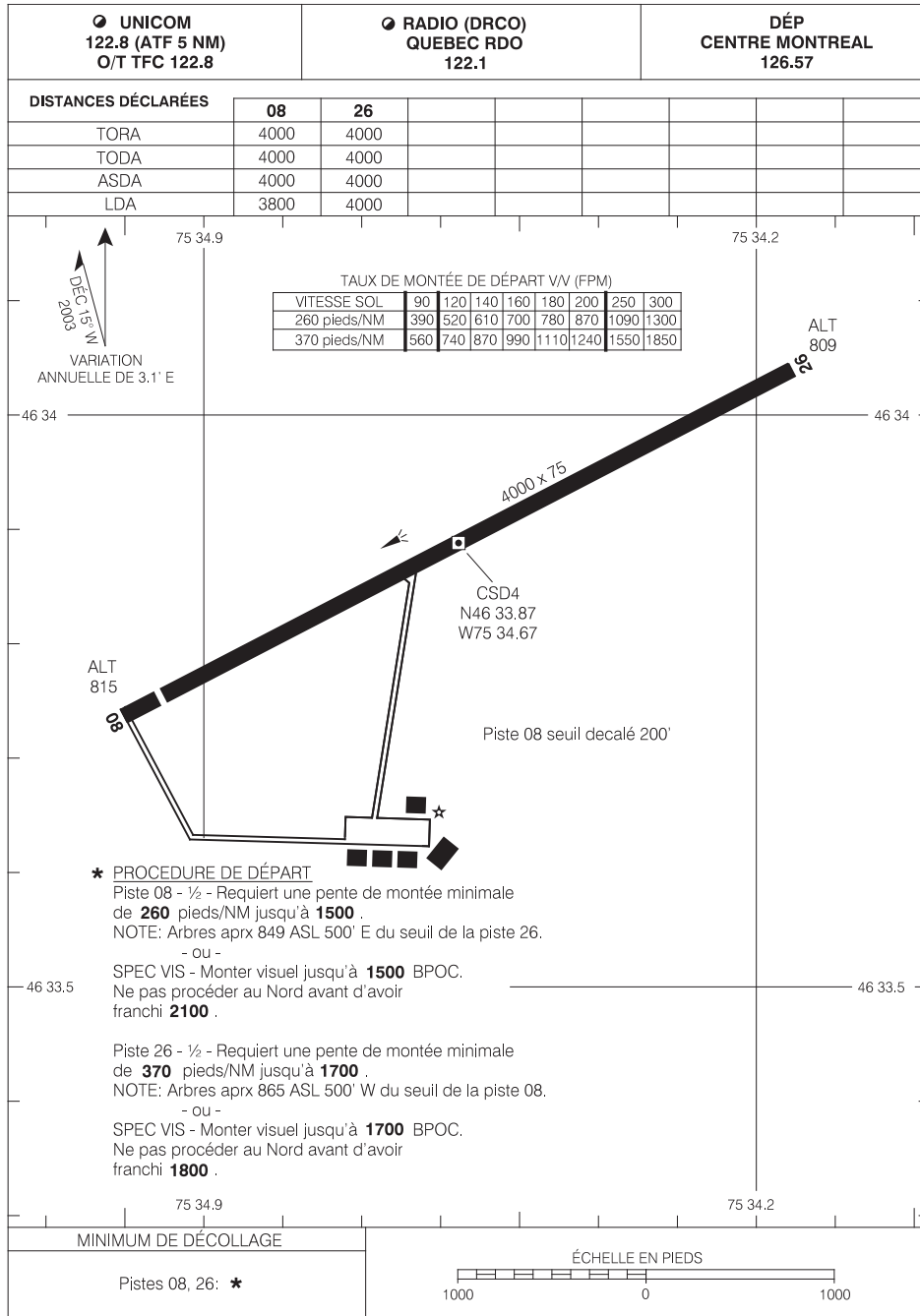
MONT-LAURIER QC  
MONT-LAURIER  
NAD83

EFF 20 DEC 07      CHANGE: Taxiway



# CARTE D'AÉRODROME

MONT-LAURIER  
MONT-LAURIER QC



Source des données aéronautiques civiles pour le Canada: © 2010 NAV CANADA Tous droits réservés

**\* PROCEDURE DE DÉPART**

Piste 08 - ½ - Requiert une pente de montée minimale de **260** pieds/NM jusqu'à **1500** .  
 NOTE: Arbres aprx 849 ASL 500' E du seuil de la piste 26.  
 - ou -  
 SPEC VIS - Monter visuel jusqu'à **1500** BPOC.  
 Ne pas procéder au Nord avant d'avoir franchi **2100** .

Piste 26 - ½ - Requiert une pente de montée minimale de **370** pieds/NM jusqu'à **1700** .  
 NOTE: Arbres aprx 865 ASL 500' W du seuil de la piste 08.  
 - ou -  
 SPEC VIS - Monter visuel jusqu'à **1700** BPOC.  
 Ne pas procéder au Nord avant d'avoir franchi **1800** .

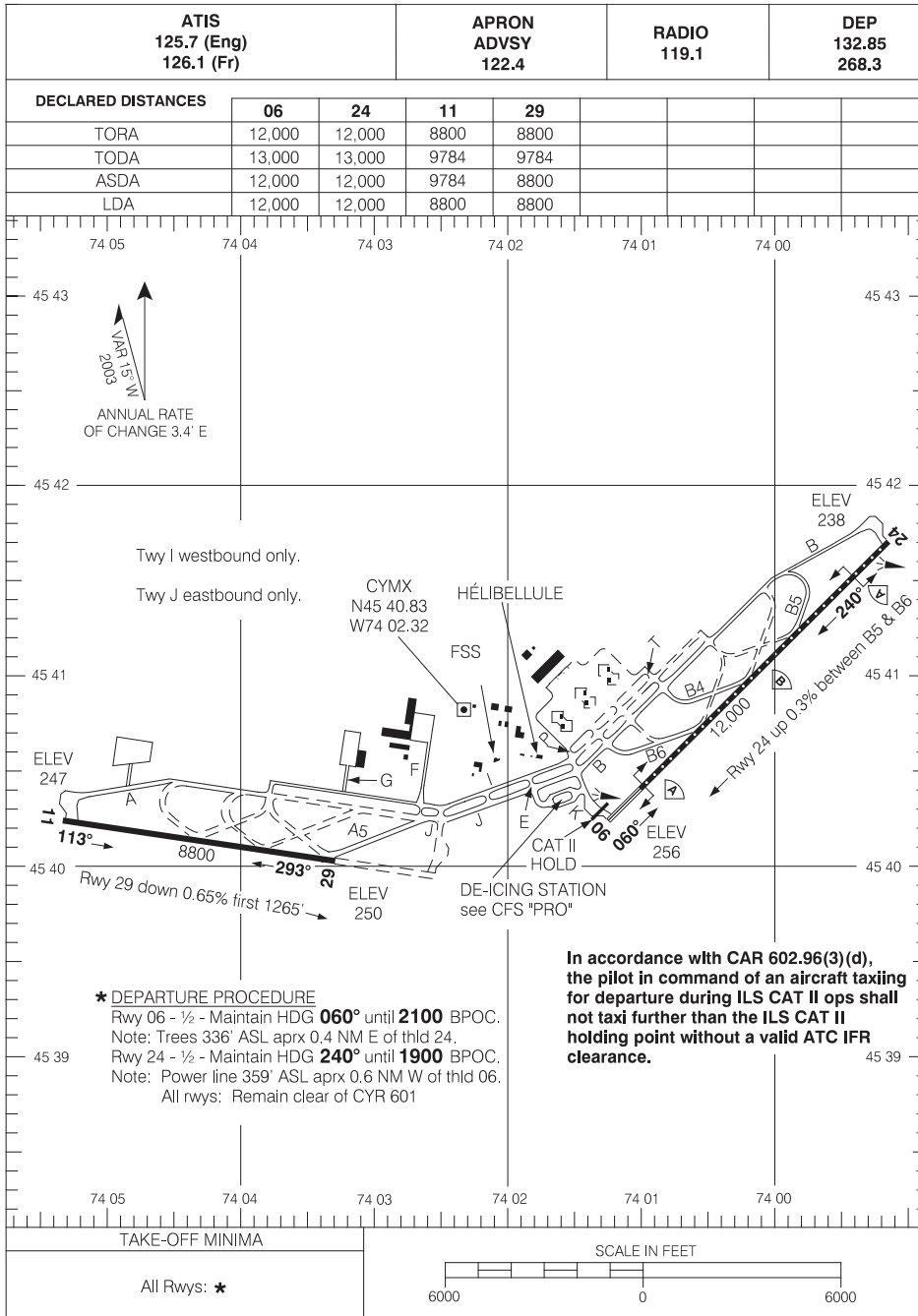
# CARTE D'AERODROME

MONT-LAURIER QC  
MONT-LAURIER  
NAD83

VAL 20 DÉC 07      CHANGEMENT: Voie de circulation

# AERODROME CHART

MONTRÉAL INTL (MIRABEL)  
MONTRÉAL QC



Source of Canadian Civil Aeronautical Data : © 2010 NAV CANADA All rights reserved

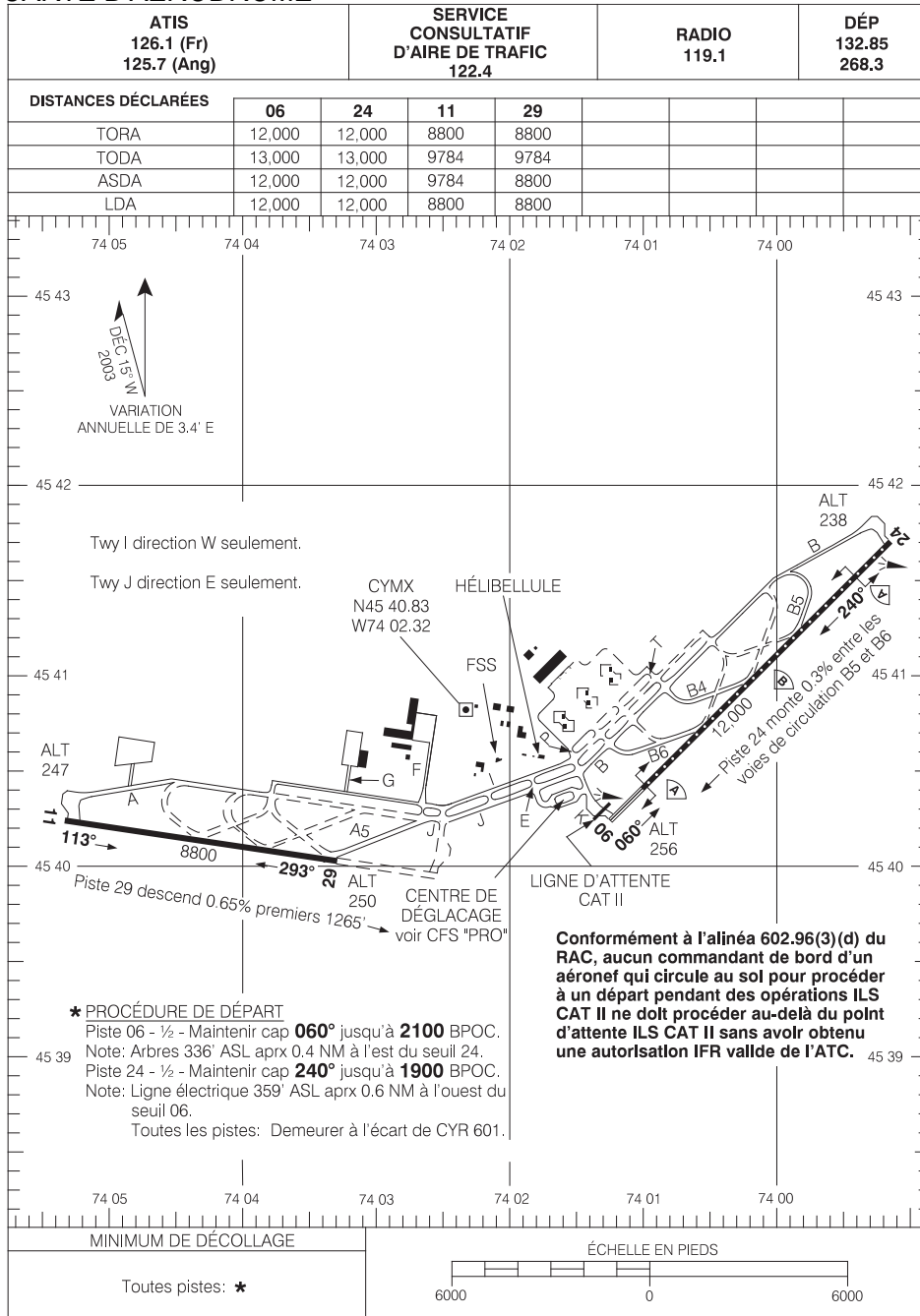
# AERODROME CHART

MONTRÉAL QC  
MONTRÉAL INTL (MIRABEL)  
NAD83

EFF 17 DEC 09 CHANGE: Revised

# CARTE D'AÉRODROME

MONTRÉAL INTL (MIRABEL)  
MONTRÉAL QC



Source des données aéronautiques civiles pour le Canada: © 2010 NAV CANADA. Tous droits réservés.

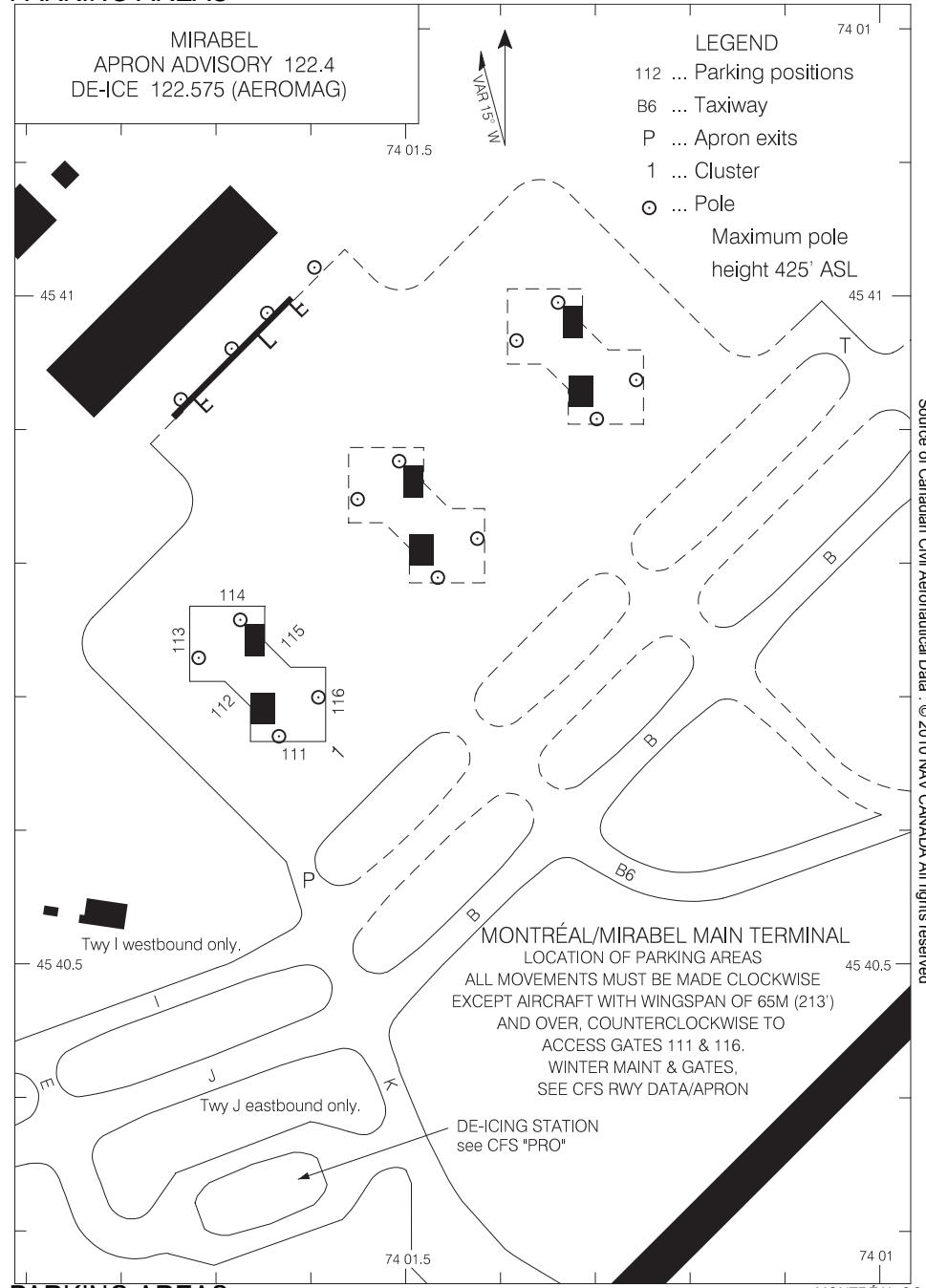
# CARTE D'AÉRODROME

MONTRÉAL QC  
MONTRÉAL INTL (MIRABEL)  
NAD83

VAL 17 DÉC 09    CHANGEMENT: Révisée

**PARKING AREAS**

**MONTRÉAL INTL (MIRABEL)**  
MONTRÉAL QC



Source of Canadian Civil Aeronautical Data : © 2010 NAV CANADA All rights reserved

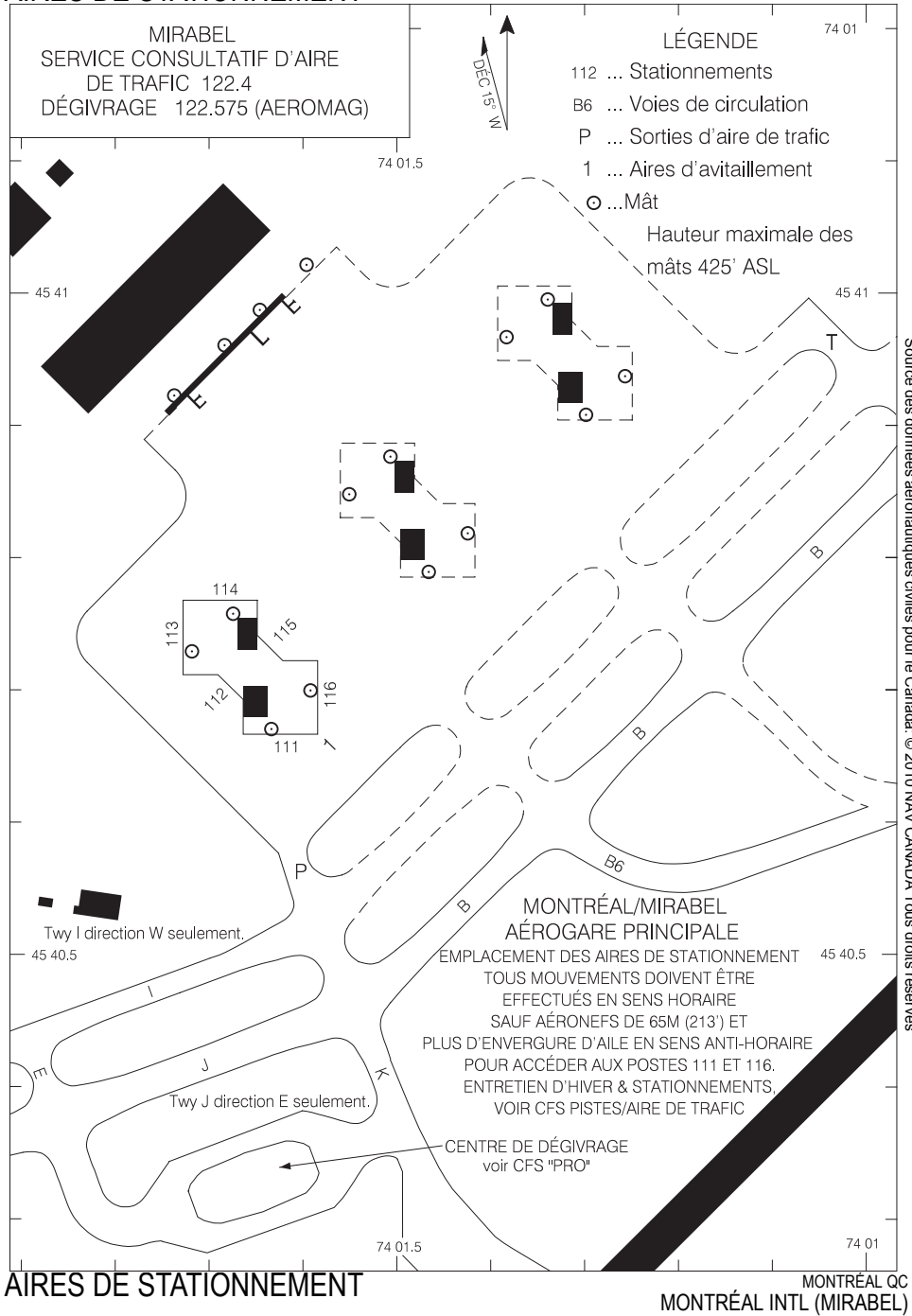
**PARKING AREAS**

**MONTRÉAL QC**  
**MONTRÉAL INTL (MIRABEL)**  
NAD83

EFF 22 OCT 09 CHANGE: Revised

# AIRES DE STATIONNEMENT

MONTRÉAL INTL (MIRABEL)  
MONTRÉAL QC



Source des données aéronautiques civiles pour le Canada © 2010 NAV CANADA Tous droits réservés

# AIRES DE STATIONNEMENT

MONTRÉAL QC  
MONTRÉAL INTL (MIRABEL)

VAL 22 OCT 09 CHANGEMENT: Révisée

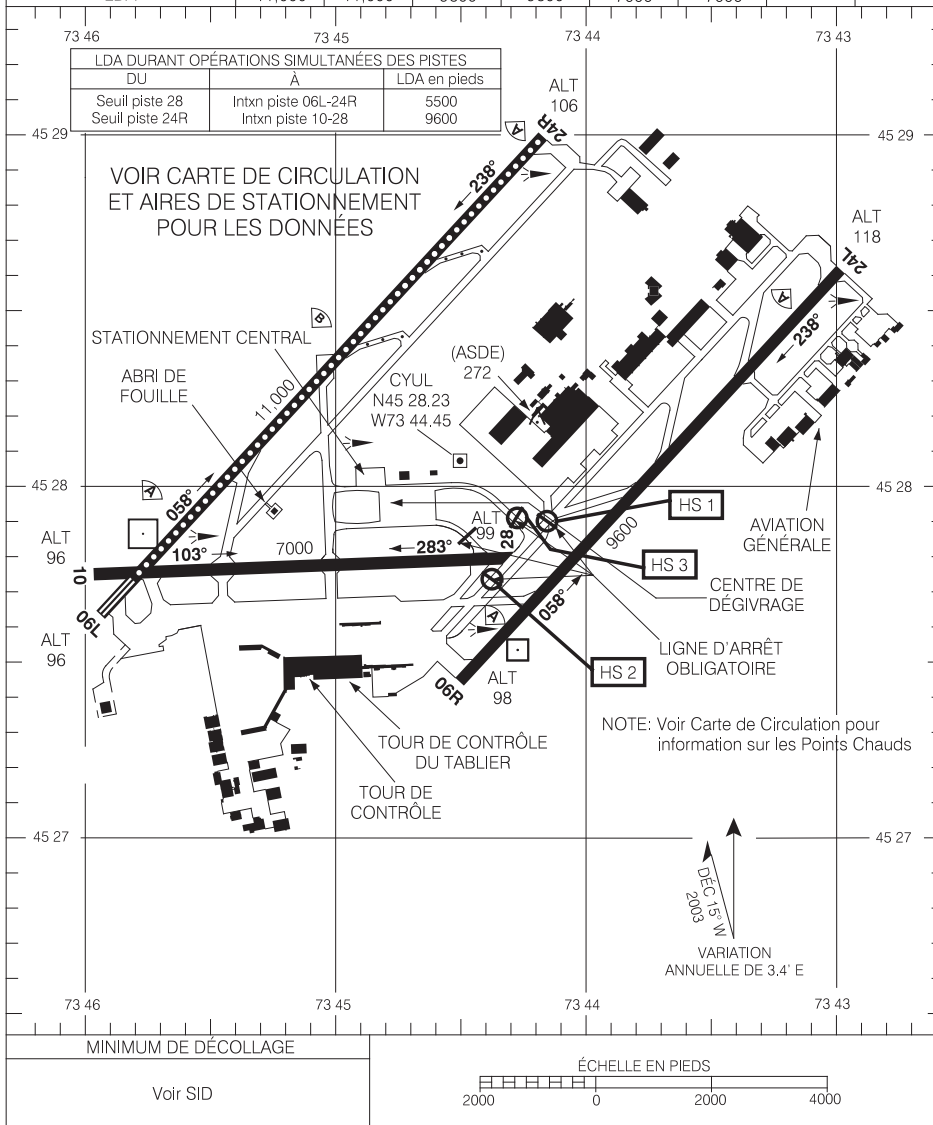


# CARTE D'AÉRODROME

MONTRÉAL/PIERRE ELLIOTT TRUDEAU INTL  
MONTRÉAL QC

<b>ATIS</b> 127.5 (Fr) 133.7 (Ang)	<b>CLNC DEL</b> 125.6	<b>AIRE DE TRAFIC</b> <b>MONTRÉAL</b> 122.075	<b>SOL</b> 121.9 275.8	<b>TOUR</b> 119.9 267.1	<b>DÉP</b> SE-S-SW 118.9 W-NW-NE 124.65 268.3
--	--------------------------	---	------------------------------	-------------------------------	--

DISTANCES DÉCLARÉES	06L	24R	06R	24L	10	28
	TORA	11,000	11,000	9600	9600	7000
TODA	11,984	11,984	10,584	10,584	7984	7984
ASDA	11,000	11,000	9600	9600	7000	7000
LDA	11,000	11,000	9600	9600	7000	7000



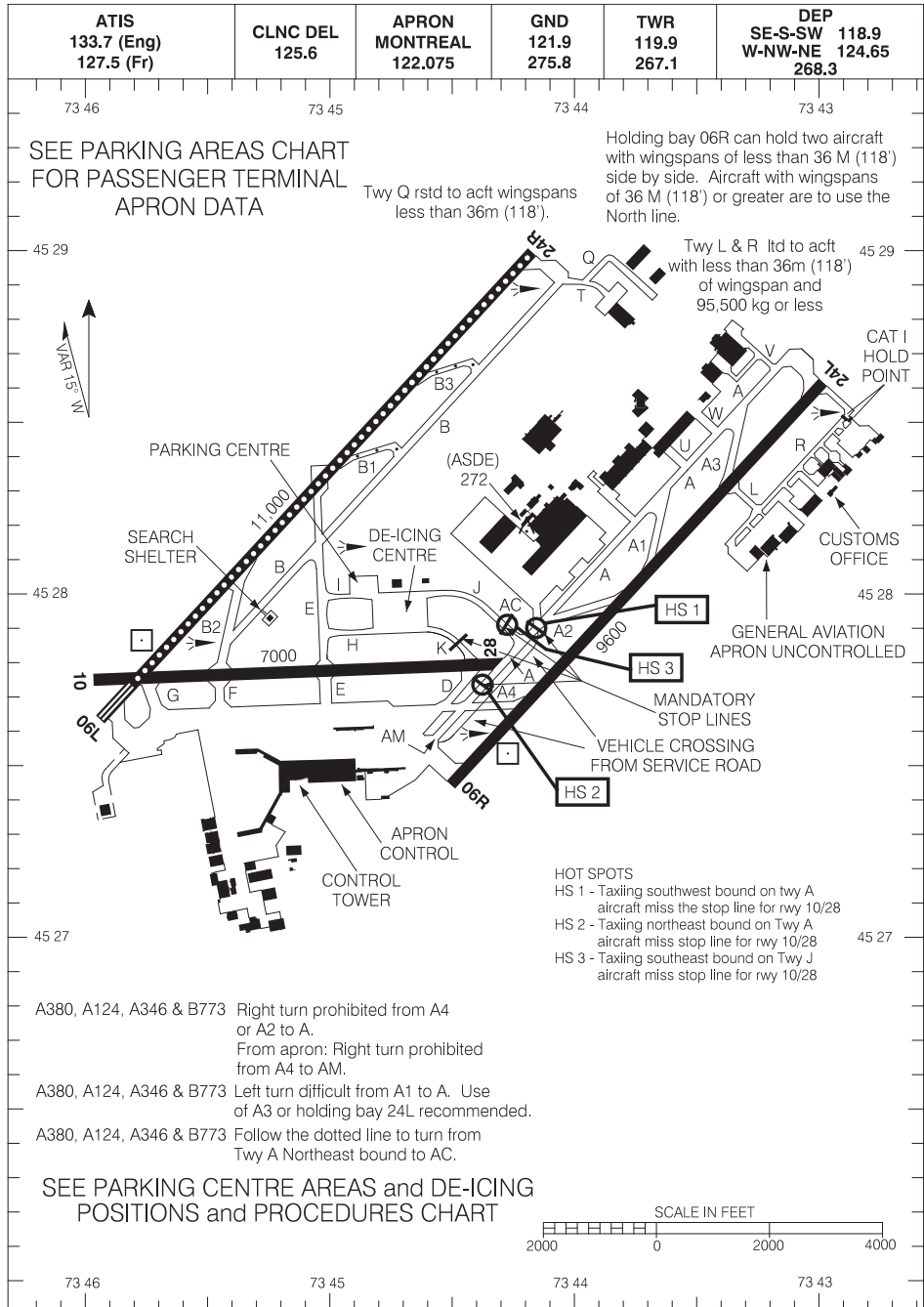
# CARTE D'AERODROME

MONTRÉAL QC  
MONTRÉAL/PIERRE ELLIOTT TRUDEAU INTL  
NAD83

VAL 22 OCT 09      CHANGEMENT: Révisée

MONTRÉAL/PIERRE ELLIOTT TRUDEAU INTL  
MONTRÉAL QC

TAXI CHART



Source of Canadian Civil Aeronautical Data : © 2010 NAV CANADA All rights reserved

TAXI CHART

MONTRÉAL/PIERRE ELLIOTT TRUDEAU INTL  
MONTRÉAL QC

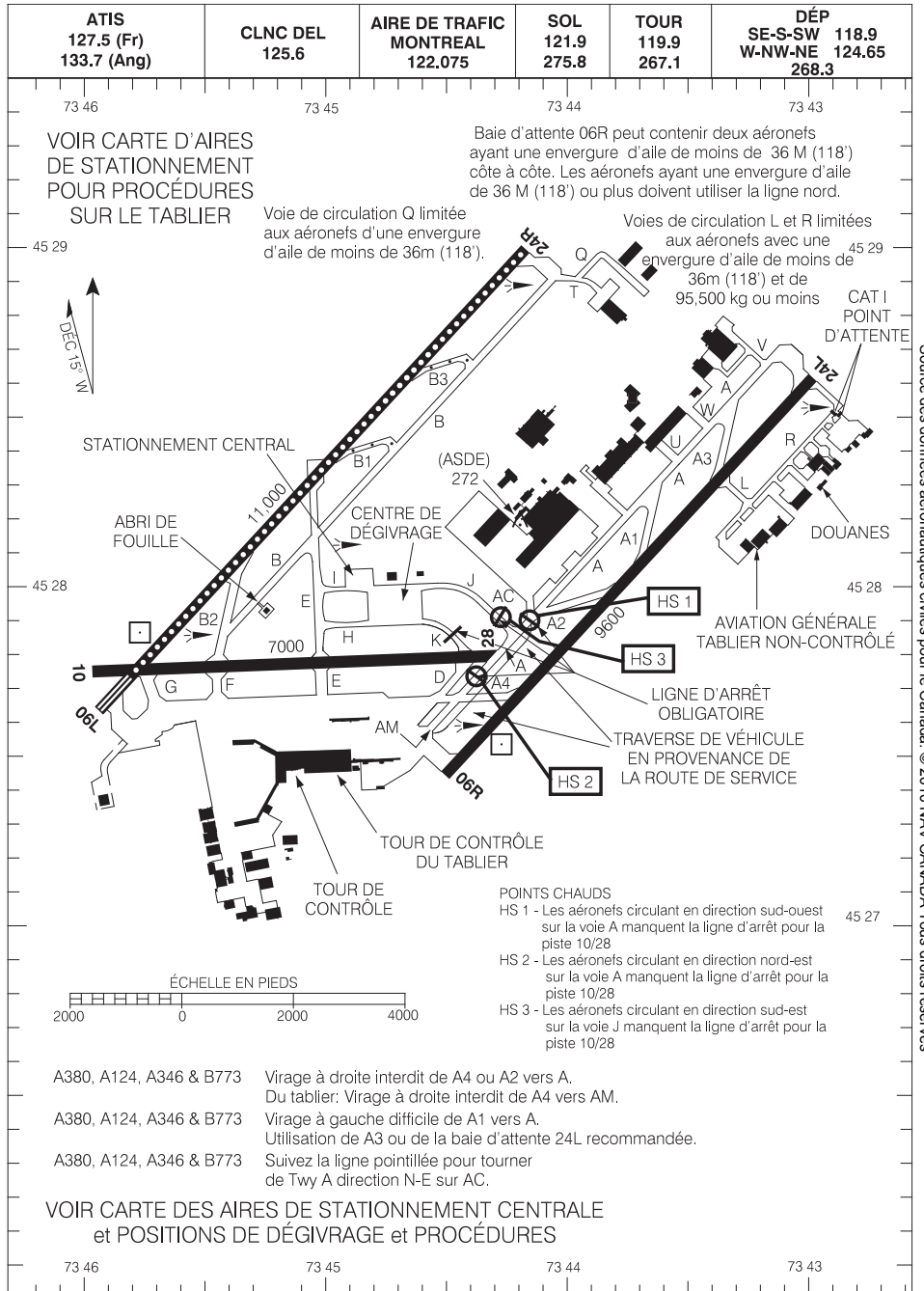
EFF 22 OCT 09 CHANGE: Revised

NAD83



# CARTE DE CIRCULATION

MONTRÉAL/PIERRE ELLIOTT TRUDEAU INTL  
MONTRÉAL QC



Source des données aéronautiques civiles pour le Canada. © 2010 NAV CANADA. Tous droits réservés

# CARTE DE CIRCULATION

MONTRÉAL/PIERRE ELLIOTT TRUDEAU INTL  
MONTRÉAL QC

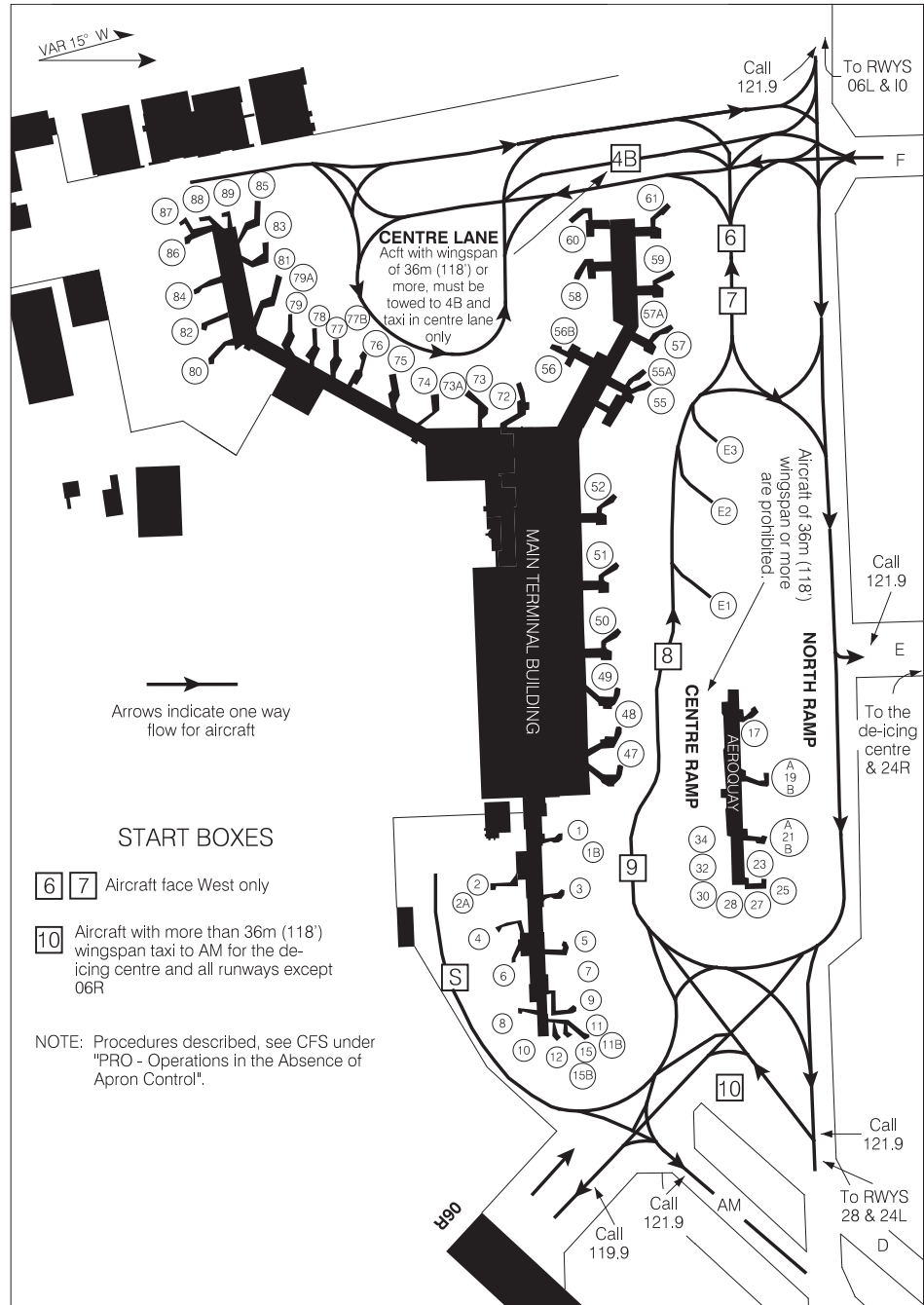
VAL 22 OCT 09

CHANGEMENT: Révisée

NAD83

OPERATIONS IN THE ABSENCE OF APRON CONTROL

MONTRÉAL/PIERRE ELLIOTT TRUDEAU INTL  
MONTRÉAL QC



Source of Canadian Civil Aeronautical Data : © 2010 NAV CANADA All rights reserved

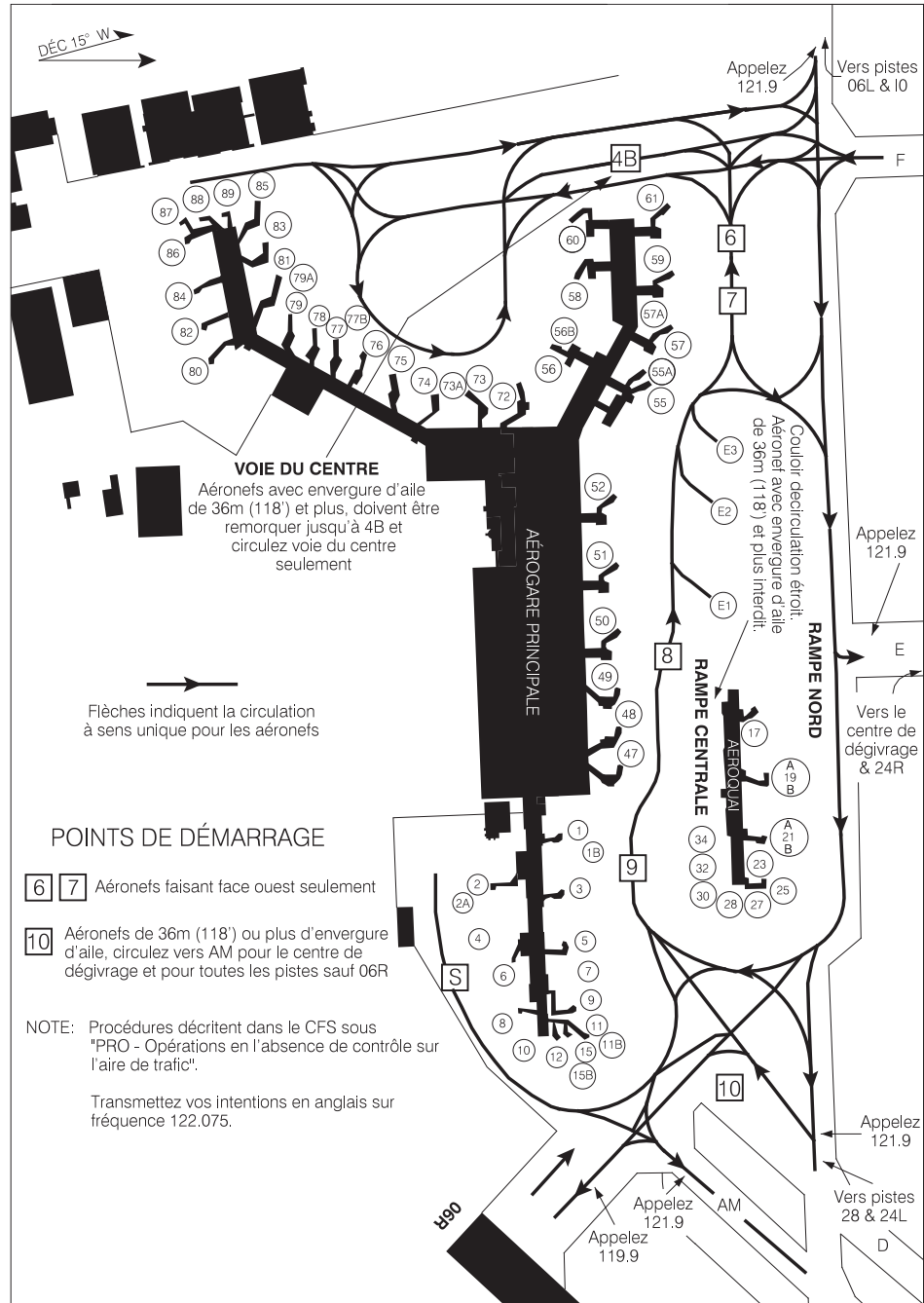
OPERATIONS IN THE ABSENCE OF APRON CONTROL

MONTRÉAL/PIERRE ELLIOTT TRUDEAU INTL  
MONTRÉAL QC  
NAD83

EFF 22 OCT 09 CHANGE: Editorial, building removed

OPÉRATIONS EN L'ABSENCE DE  
 CONTRÔLE SUR L'AIRE DE TRAFIC

MONTRÉAL/PIERRE ELLIOTT TRUDEAU INTL  
 MONTRÉAL QC



OPÉRATIONS EN L'ABSENCE DE  
 CONTRÔLE SUR L'AIRE DE TRAFIC

MONTRÉAL/PIERRE ELLIOTT TRUDEAU INTL  
 MONTRÉAL QC

VAL 22 OCT 09 CHANGEMENT: Éditorial, bâtiment supprimé

NAD83

**LOW VISIBILITY PROCEDURES** (Page 1)

**LOW VISIBILITY PROCEDURES (RVR less than 1200 to 600 FT)**

**1. APPLICATION**

These procedures apply to ground movements of aircraft during low visibility conditions (Runway Visual Range (RVR) less than 1200 to 600 FT). Arrivals and departures below RVR 600 are not authorized. When weather conditions indicate visibility below RVR 1200 is imminent, procedures will be implemented to ensure the safe and efficient movement of aircraft. The following message will be added to the ATIS broadcast: **"LOW VISIBILITY PROCEDURES IN EFFECT"**

**2. SURFACE GUIDANCE AND CONTROL SYSTEM**

Surface guidance and control system have been installed to facilitate the ground movements of aircraft under low visibility conditions. This system, controlled by ATC, is:

Taxiway centreline lights on exit taxiways B1, B3 and holding bay 24R.

Taxiway uni-directional centreline lights on taxiways A (between J and A4), A4 (between A and the apron), B, B1, B2 (from B to runway 10/28), B3, D, E (from the apron to B), F, H, I, J and K.

Bi-directional centreline lights on the North side of the apron between A4 and F, uni-directional between F and G.

Stop Bars on all access to runway 06L/24R: on the holding bays of runways 06L and 24R, at the end of runway 28 before the intersection with runway 06L/24R and on taxiways B1, B2, B3, E and G (illuminated under 1200 RVR).

**NOTE: AT NO TIME SHALL A PILOT CROSS AN ILLUMINATED RED STOP BAR.**

Runway guard lights on all access to runways: on the holding bays of runways 06L, 24R, 06R and 24L, at the end of runway 28 before the intersection with runway 06L/24R, on runways 06L and 24R before the intersection with runway 10/28 and on taxiways A, A1, A2, A3, A4, B1, B2, B3, D, E, F, G, J, L and R (illuminated whenever the associated runway is in use).

Note: The above mentioned taxiway centreline lights and stop bars may be used at or above 1200 RVR.

Source of Canadian Civil Aeronautical Data : © 2010 NAV CANADA All rights reserved

continued....

**LOW VISIBILITY PROCEDURES** (Page 1)

**LOW VISIBILITY PROCEDURES** (Page 2)

**3. AIRPORT SURFACE DETECTION EQUIPMENT (ASDE)**

Ground radar is used to monitor the position of aircraft and vehicles operating on the manoeuvring area. In the event of an ASDE failure, ATC may restrict low visibility operations.

**4. "FOLLOW ME" VEHICLE**

A "FOLLOW ME" vehicle will be provided on pilot's request.

**5. DEPARTURE ROUTES**

Runway 06L is the only one certified for take-offs during low visibility conditions (RVR less than 1200 to 600 FT). All departures under low visibility conditions will be on runway 06L. Intersection take-offs are not authorized.

Sequencing of aircraft ground movements for take-off: Do not request start, push back or taxi clearance until reported RVR is greater than:

<u>Aircraft/Pilot Take-off Minima</u>	<u>Minimum RVR for Start</u>
1200 RVR	1000 RVR
600 RVR	600 RVR

Unless otherwise advised by ATC, the following standard routes will be used, under low visibility conditions, for aircraft departing on runway 06L (see low visibility taxi chart).

From the main apron to the de-icing bay: aircraft will taxi on E and H or on D and K.

From the main apron to runway 06L: aircraft will taxi on the main apron to the holding bay runway 06L.

From the de-icing bay to runway 06L: aircraft will taxi on I, E, B, B2, F and on the apron to the holding bay runway 06L.

From the de-icing bay to the main apron aircraft will taxi on taxiways J, A, and A4.

From general aviation to 06L, aircraft will taxi on taxiway R, across threshold 24L, taxiways A and A4, north side of the apron to the holding 06L.

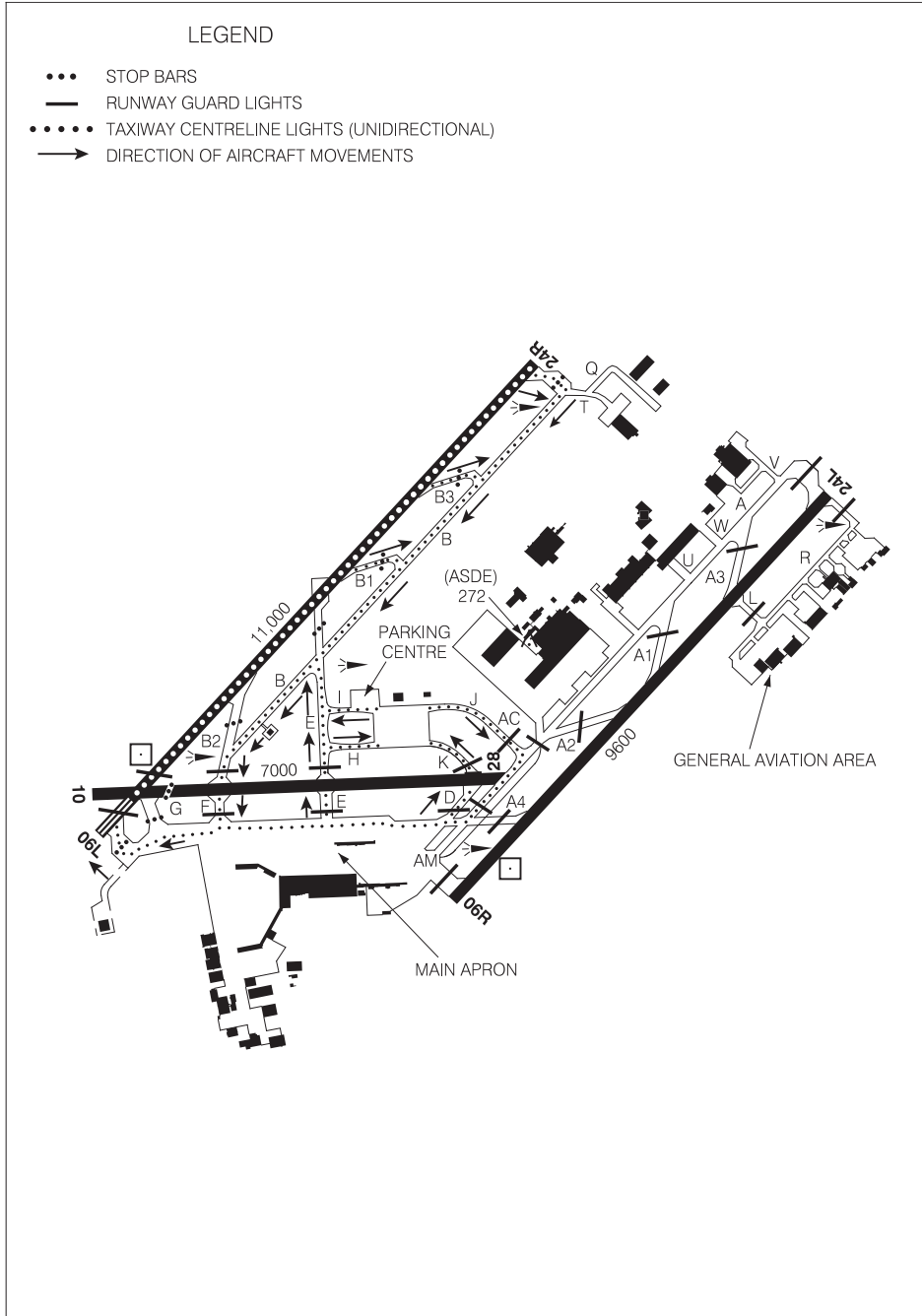
**6. ARRIVAL ROUTES**

Aircraft will exit runway 06L on taxiways B1, B3 or holding bay 24R, taxiways B, B2, F and then follow Apron Control instructions. Aircraft destined to the general aviation sector will exit the main apron at A4, and will taxi via runway 06R, and taxiways L and R.

Source of Canadian Civil Aeronautical Data : © 2010 NAV CANADA All rights reserved

LOW VISIBILITY TAXI CHART  
(RVR less than 1200 to 600 FT)

MONTRÉAL/PIERRE ELLIOTT TRUDEAU INTL  
MONTRÉAL QC



Source of Canadian Civil Aeronautical Data : © 2010 NAV CANADA All rights reserved

LOW VISIBILITY TAXI CHART  
(RVR less than 1200 to 600 FT)  
EFF 22 OCT 09 CHANGE: Building removed

MONTRÉAL QC  
MONTRÉAL/PIERRE ELLIOTT TRUDEAU INTL

**PROCÉDURES EN CONDITIONS DE FAIBLE VISIBILITÉ  
(RVR en dessous de 1200 jusqu'à 600 pieds)**

**1. APPLICATION**

Ces procédures s'appliquent aux aéronefs circulant au sol en conditions de faible visibilité (portée visuelle de piste (RVR) en dessous de 1200 jusqu'à 600 pieds). Les départs et les arrivées en dessous de 600 RVR ne sont pas autorisés. Lorsque les conditions météorologiques indiquent que la portée visuelle de piste pourrait descendre en dessous de 1200 RVR, les procédures suivantes seront mises en place afin d'assurer la sécurité et l'efficacité des mouvements d'aéronefs. Le message suivant sera alors diffusé sur l'ATIS:

**"PROCÉDURES EN CONDITIONS DE FAIBLE VISIBILITÉ EN VIGUEUR"**

**2. SYSTÈME DE GUIDAGE ET DE CONTRÔLE DE LA CIRCULATION DE SURFACE**

Un système de guidage et de contrôle de la circulation de surface a été mis en place afin de faciliter le mouvement des aéronefs en conditions de faible visibilité. Ce système, commandé par l'ATC, comprend:

Des feux axiaux de sortie sur les voies de circulation B1, B3 et baie d'attente 24R.

Des feux axiaux unidirectionnels sur les voies de circulation A (entre Jet A4), A4 (entre A et l'aire de trafic), B, B1, B2 (de B à la piste 10/28), B3, D, E (de l'aire de trafic à B), F, H, I, J et K.

Des feux axiaux bi-directionnels au nord de l'aire de trafic entre A4 et F, unidirectionnels entre F et G.

Des barres d'arrêt sur tous les accès à la piste 06L/24R: dans les baies d'attente des pistes 06L et 24R, à l'extrémité de la piste 28 avant l'intersection de la piste 06L/24R et sur les voies de circulation B1, B2, B3, E et G (allumées en dessous de 1200 RVR).

**NOTE: NE JAMAIS TRAVERSER UNE BARRE D'ARRÊT ALLUMÉE**

Des feux de protection de piste sur les accès de toutes les pistes: dans les baies d'attente des pistes 06L, 24R, 06R et 24L, à l'extrémité de la piste 28 avant l'intersection de la piste 06L/24R, sur les pistes 06L et 24R avant l'intersection de la piste 10/28 et sur les voies de circulation A, A1, A2, A3, A4, B1, B2, B3, D, E, F, G, J, L et R (allumés en tout temps sur les accès des pistes en service).

Note: Les feux axiaux de voies de circulation et les barres d'arrêt sus-mentionnées pourraient être utilisés dans des conditions égales ou supérieure à 1200 RVR.

**3. RADAR DE SURVEILLANCE DES MOUVEMENTS DE SURFACE (ASDE)**

Un radar de surveillance des mouvements de surface est utilisé pour la localisation des aéronefs et des véhicules sur les aires mouvements. En cas de panne de ce radar l'ATC peut restreindre les actions en conditions de faible visibilité.

suite.....

#### 4. VÉHICULE "FOLLOW ME"

Un véhicule équipé d'une affiche "FOLLOW ME" sera disponible à la demande des pilotes.

#### 5. TRAJETS POUR LES DÉPARTS

Seule la piste 06L est homologuée pour des décollages en conditions de faible visibilité (RVR en dessous de 1200 et pouvant atteindre 600 pieds). Tous les départs en conditions de faible visibilité se feront sur la piste 06L. Les décollages à partir d'intersections ne sont pas autorisés.

Mise en séquence des mouvements au sol d'aéronefs pour les décollages: ne pas demander de démarrer les moteurs, de refouler ou une autorisation de circuler à moins que le RVR rapporté ne soit supérieur aux valeurs suivantes:

<u>Minima de décollage du pilote ou de l'aéronef</u>	<u>RVR minimum pour démarrer les moteurs</u>
1200 RVR	1000 RVR
600 RVR	600 RVR

À moins d'avis contraire de l'ATC, les trajets suivants seront utilisés en conditions de faible visibilité pour les aéronefs au décollage de la piste 06L (voir carte de circulation en conditions de faible visibilité).

Du tablier principal en direction de l'aire de dégivrage: les aéronefs circuleront sur les voies de circulation E et H ou D et K.

Du tablier principal en direction de la piste 06L: les aéronefs circuleront sur le tablier principal jusqu'à la baie d'attente de la piste 06L.

De l'aire de dégivrage en direction de la piste 06L: les aéronefs circuleront sur les voies de circulation I, E, B, B2, F et le tablier jusqu'à la baie d'attente de la piste 06L.

De l'aire de dégivrage en direction du tablier principal: les aéronefs circuleront sur les voies de circulation J, A et A4.

De l'aviation générale, la voie de circulation R, traverser le seuil 24L, les voies de circulation A et A4, voie de circulation du côté nord de l'aire de trafic jusqu'à la baie d'attente 06L.

#### 6. TRAJETS POUR LES ARRIVÉES

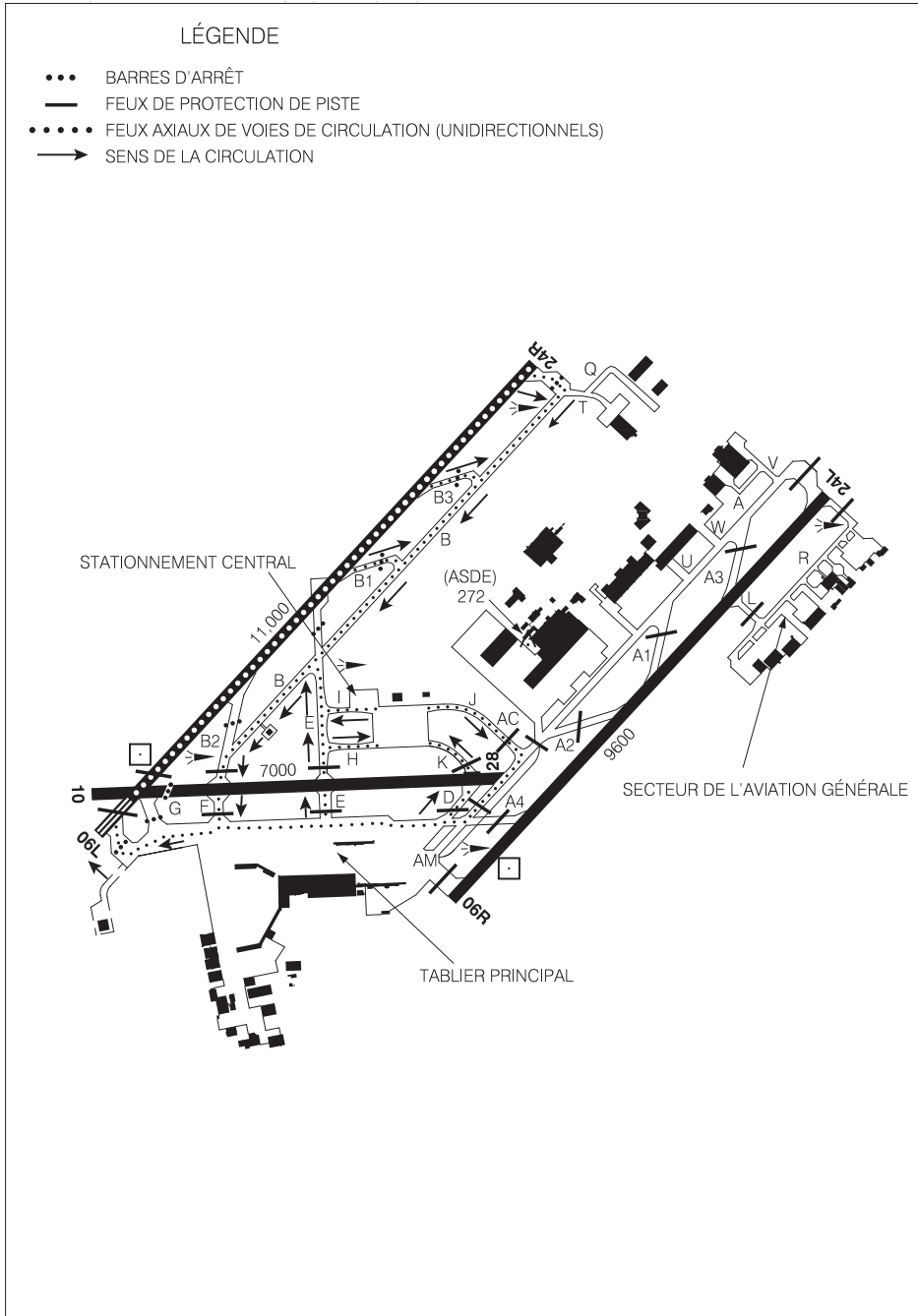
Les aéronefs quitteront la piste 06L en utilisant les voies de circulation B1, B3 ou par la baie d'attente de la piste 24R, les voies de circulation B, B2, F puis suivront les instructions du contrôle du tablier. Les aéronefs se dirigeant à l'aviation générale quitteront l'aire de trafic à A4 et utiliseront la piste 06R, et les voies de circulation L et R.

Source des données aéronautiques civiles pour le Canada © 2010 NAV CANADA Tous droits réservés



CARTE DE CIRCULATION EN CONDITIONS DE FAIBLE VISIBILITÉ (RVR en dessous de 1200 jusqu'à 600 pieds)

MONTRÉAL/PIERRE ELLIOTT TRUDEAU INTL  
MONTRÉAL QC



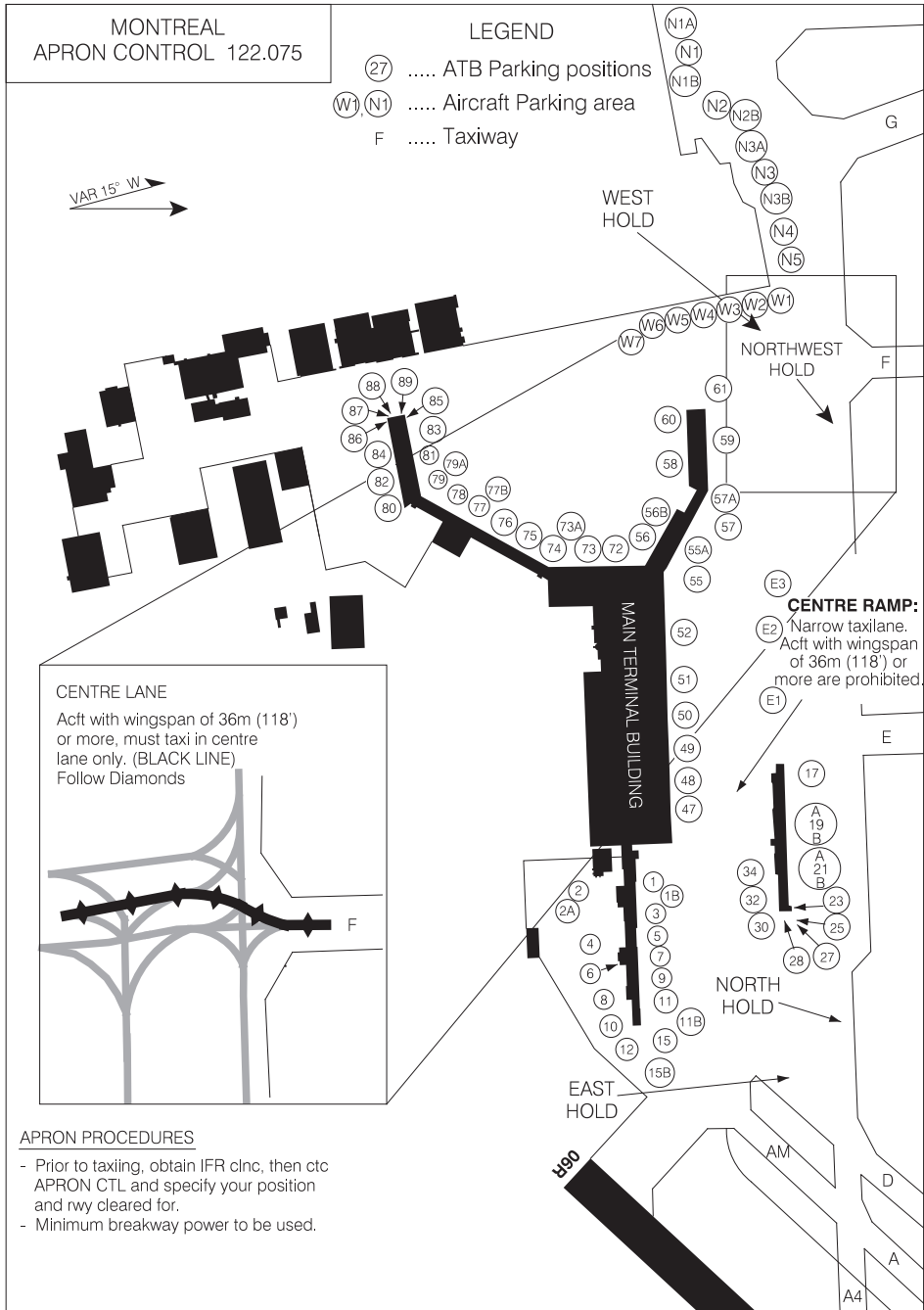
Source des données aéronautiques civiles pour le Canada. © 2010 NAV CANADA Tous droits réservés

CARTE DE CIRCULATION EN CONDITIONS DE FAIBLE VISIBILITÉ (RVR en dessous de 1200 jusqu'à 600 pieds)  
VAL 22 OCT 09      CHANGEMENT: Bâtiment supprimé

MONTRÉAL QC  
MONTRÉAL/PIERRE ELLIOTT TRUDEAU INTL  
NAD83

**PARKING AREAS**

MONTRÉAL/PIERRE ELLIOTT TRUDEAU INTL  
MONTRÉAL QC



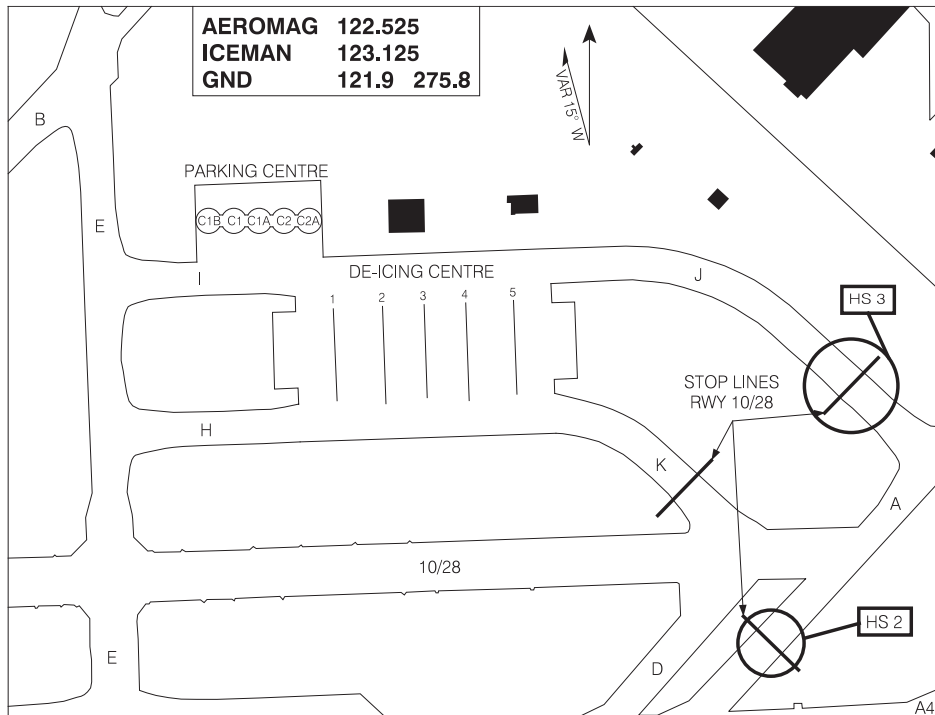
Source of Canadian Civil Aeronautical Data : © 2010 NAV CANADA All rights reserved

**PARKING AREAS**

MONTRÉAL QC  
MONTRÉAL/PIERRE ELLIOTT TRUDEAU INTL  
NAD83

EFF 22 OCT 09 CHANGE: Revised

MONTRÉAL/PIERRE ELLIOTT TRUDEAU INTL  
 PARKING CENTRE AREAS and DE-ICING POSITIONS and PROCEDURES  
 MONTRÉAL QC



DE-ICING

1. Aeromag needs 30 min prior notice when de-icing is required with de-icing type;
2. On Twys H, I, J or K, hold short of de-icing pad and contact Aeromag De-icing Centre on 122.525;
3. Follow instructions and guidance lights to de-icing bays;
4. After receiving instructions from Aeromag, contact ICEMAN on 123.125 with brakes set, aircraft configured and engines at idle;
5. After de-icing, contact Aeromag on 122.525 before moving aircraft;
6. Entering Twy **JULIETT** or Twy K short of **hold short line for Rwy 10/28**, contact Ground Control.

De-icing bay limitations:

- 1 & 5: maximum wingspan 65m (213.3 ft)
- 2 & 4: maximum wingspan 34.32m (112.6 ft)
- 3: maximum wingspan 47.57m (156 ft)

HOT SPOTS

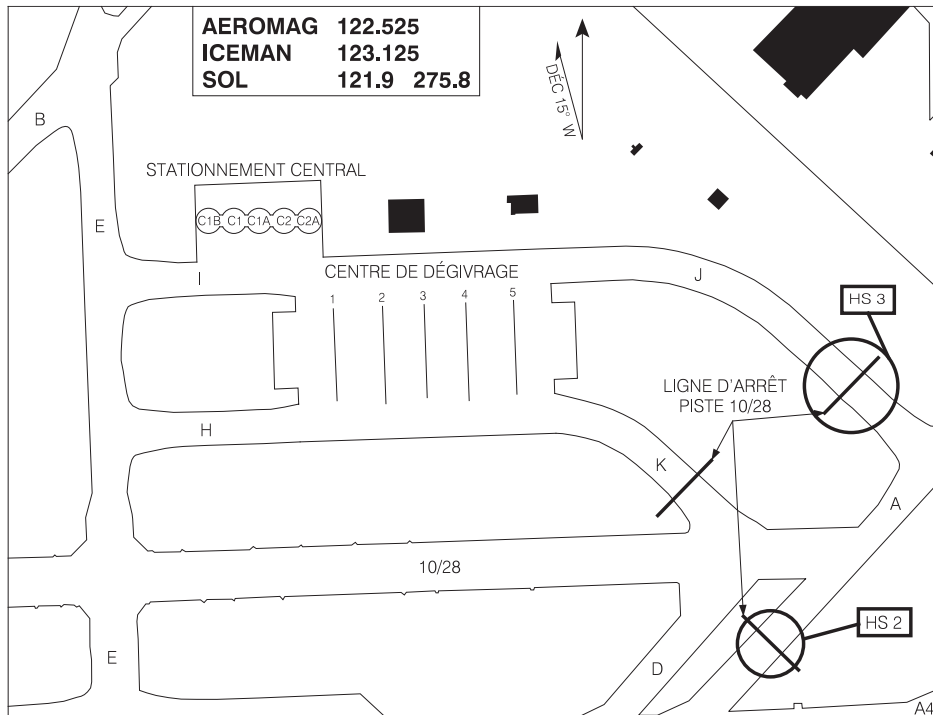
See Taxi chart for information on Hot Spots

PARKING CENTRE AREAS and DE-ICING POSITIONS and PROCEDURES  
 MONTRÉAL QC  
 MONTRÉAL/PIERRE ELLIOTT TRUDEAU INTL

EFF 7 MAY 09

CHANGE: Stop bars added

NAD83



Source des données aéronautiques civiles pour le Canada © 2010 NAV CANADA Tous droits réservés

DÉGIVRAGE

1. Aeromag demande un pré-avis de 30 min lorsque le dégivrage est requis avec le type de dégivrage;
2. Sur les voies de circulation H, I, J ou K, attendre à l'écart de l'aire de dégivrage et contacter centre de dégivrage Aeromag sur 122.525;
3. Suivre les instructions et les feux de guidage vers les baies de dégivrage;
4. Après avoir reçu l'instruction de Aeromag, contacter ICEMAN sur 123.125 avec le rapport de freins serrés, aéronef configuré et moteurs au ralenti;
5. Après le dégivrage, contacter Aeromag sur 122.525 avant de bouger l'aéronef;
6. Entrant sur Twy **JULIETT** ou Twy K à l'écart de la **ligne d'arrêt piste 10/28**, contacter le contrôleur au sol.

Dimensions des baies de dégivrage:

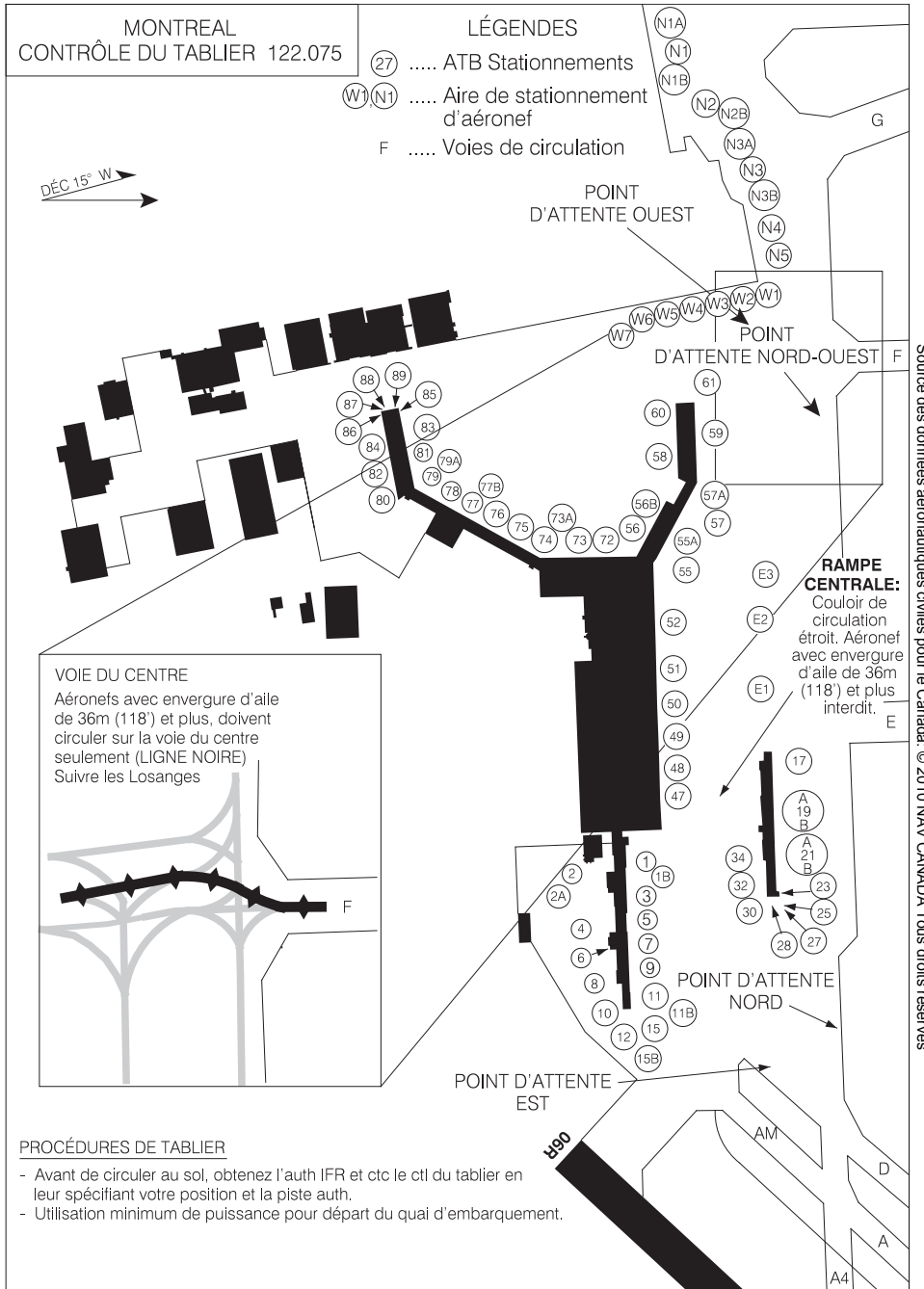
- 1 & 5: envergure d'aile maximale 65m (213.3 pi);
- 2 & 4: envergure d'aile maximale 34.32m (112.6 pi);
- 3: envergure d'aile maximale 47.57m (156 pi).

POINTS CHAUDS

Consulter la Carte de Circulation pour l'information complète.

# AIRES DE STATIONNEMENT

MONTRÉAL/PIERRE ELLIOTT TRUDEAU INTL  
MONTRÉAL QC



# AIRES DE STATIONNEMENT

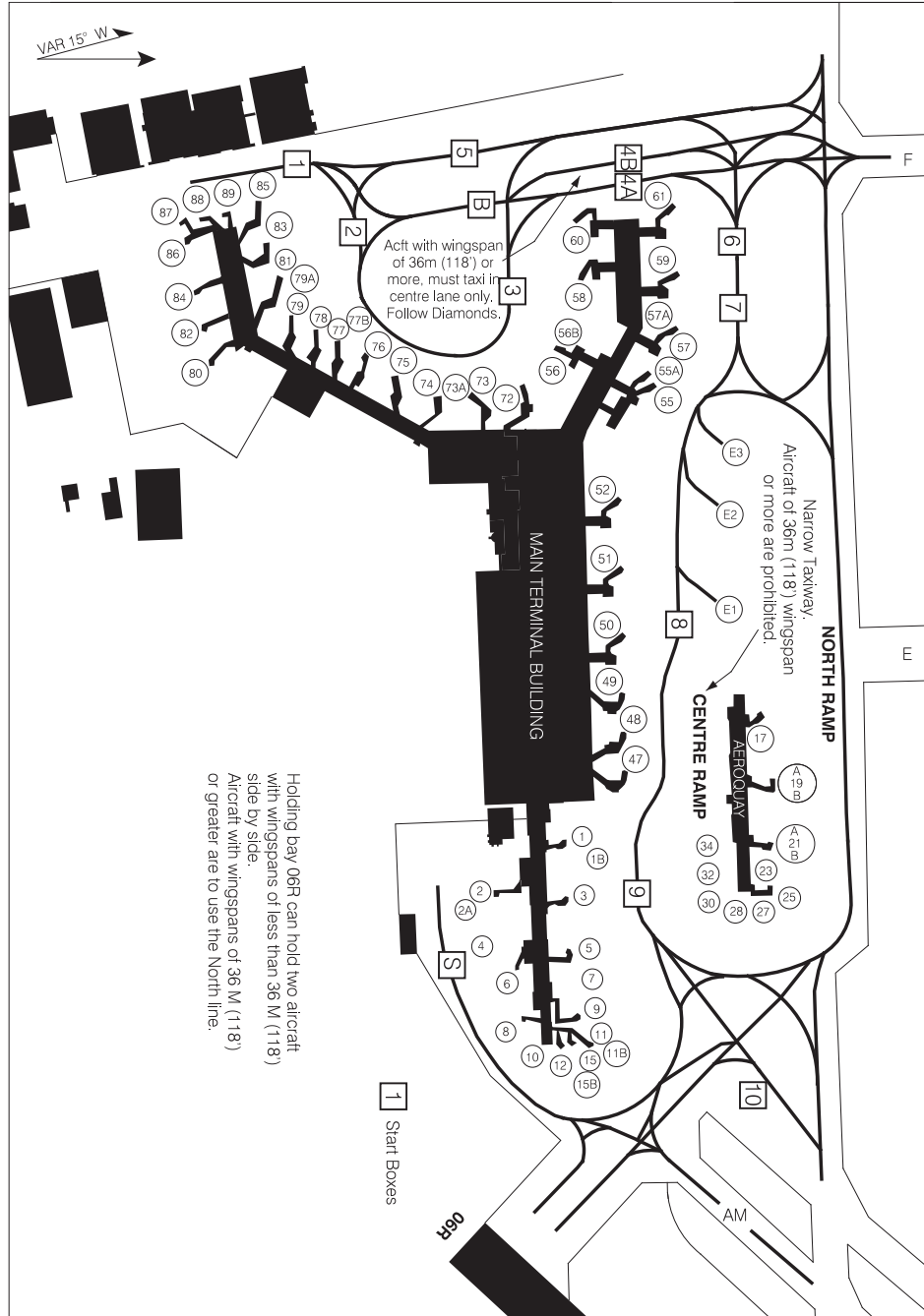
MONTRÉAL QC  
MONTRÉAL/PIERRE ELLIOTT TRUDEAU INTL  
NAD83

VAL 22 OCT 09

CHANGEMENT: Révisée

START BOXES

MONTRÉAL/PIERRE ELLIOTT TRUDEAU INTL  
MONTRÉAL QC



Source of Canadian Civil Aeronautical Data : © 2010 NAV CANADA All rights reserved

START BOXES

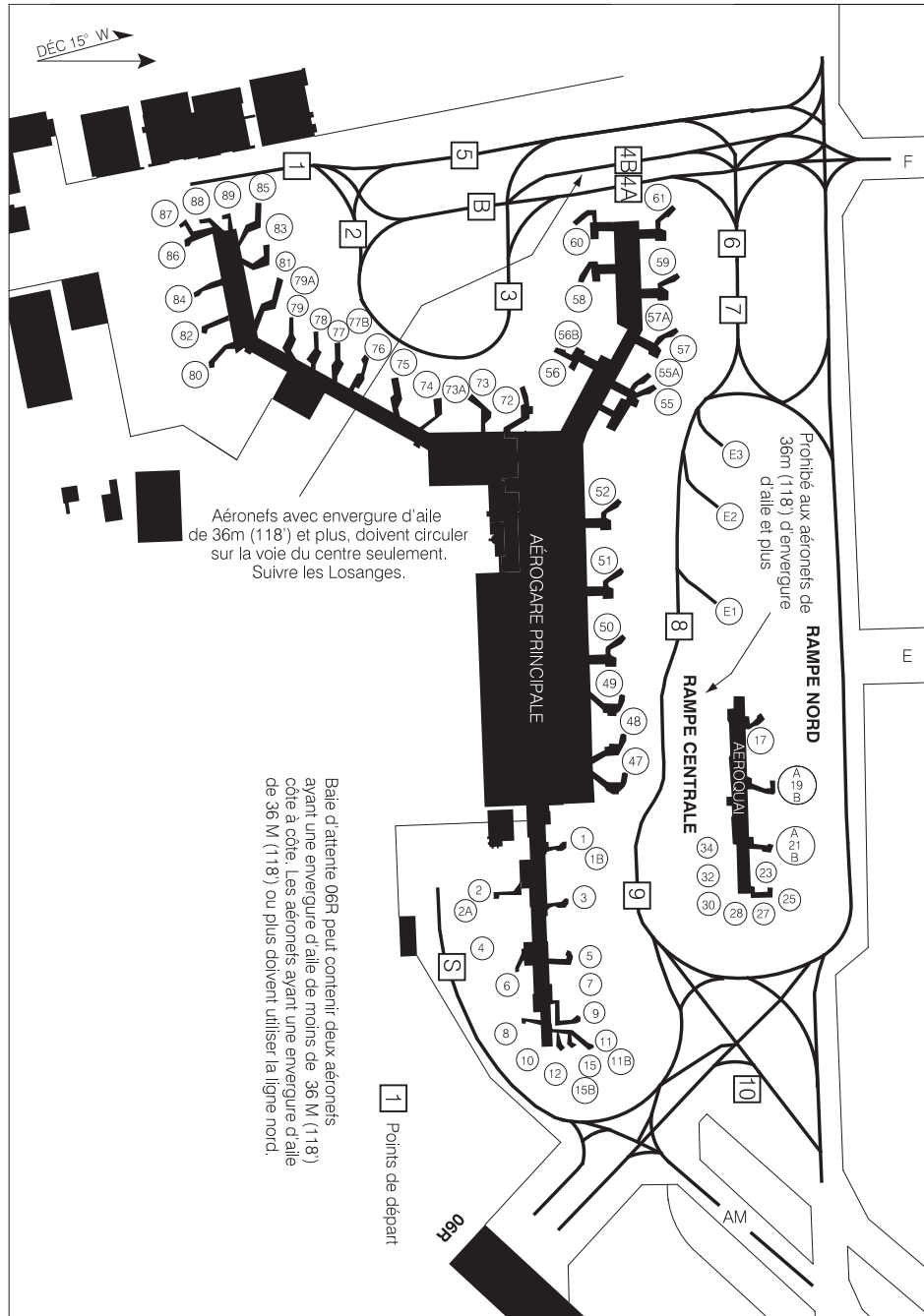
MONTRÉAL QC  
MONTRÉAL/PIERRE ELLIOTT TRUDEAU INTL  
NAD83

EFF 22 OCT 09

CHANGE: Editorial, building removed

POINTS DE DÉPART

MONTRÉAL/PIERRE ELLIOTT TRUDEAU INTL  
MONTRÉAL QC



POINTS DE DÉPART

MONTRÉAL QC  
MONTRÉAL/PIERRE ELLIOTT TRUDEAU INTL  
NAD83

VAL 22 OCT 09

CHANGEMENT: Éditorial, bâtiment supprimé

# AERODROME CHART

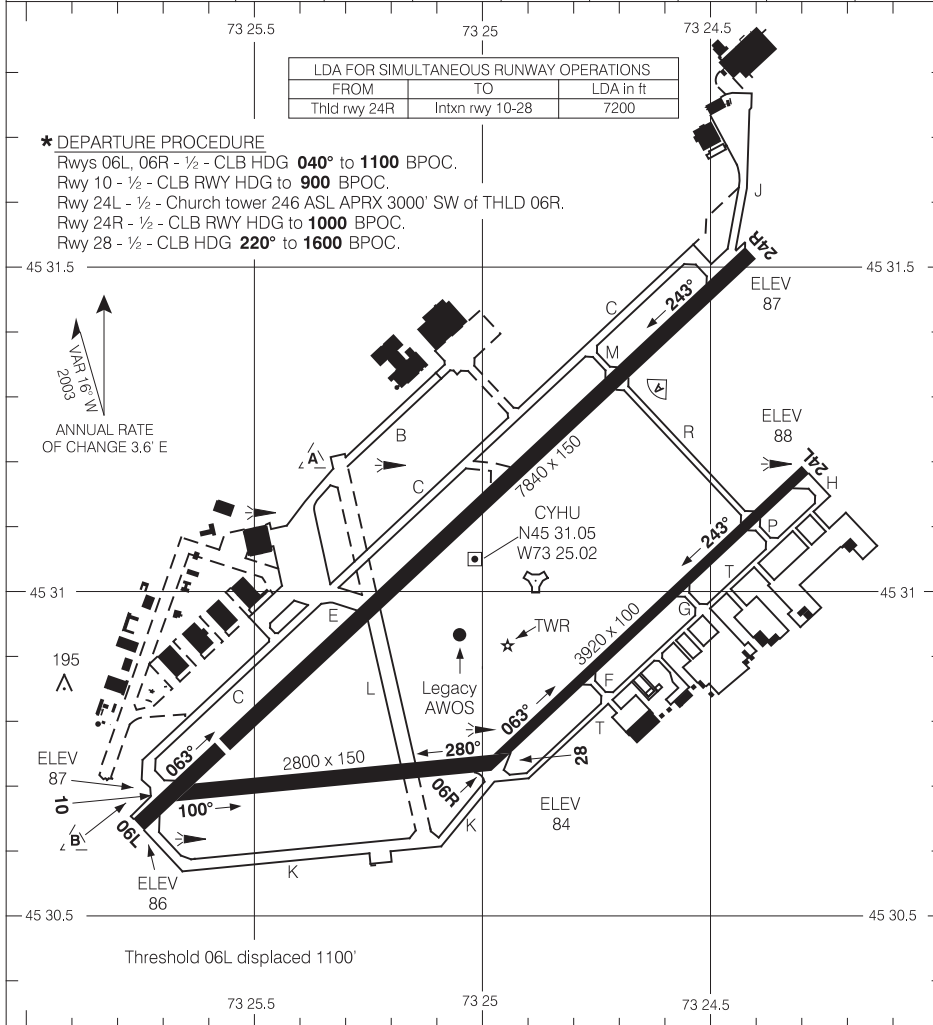
MONTRÉAL/ST-HUBERT  
ST-HUBERT QC

<b>AWOS</b> 124.9 (Eng) 124.4 (Fr)	<b>ATIS</b> 124.9 (Eng) 124.1 (Fr)	<b>GND</b> 126.4	<b>TWR</b> 118.4 O/T ROUYN RDO 118.4 (MF 5 NM)	<b>MONTREAL DEP</b> 125.15 268.3
--	--	---------------------	--	--

DECLARED DISTANCES	06L	24R	06R	24L	10	28
TORA	7840	7840	3920	3920	2800	2800
TODA	7840	7840	3920	3920	3050	3300
ASDA	7840	7840	3920	3920	2800	2800
LDA	6740	7840	3920	3920	2800	2800

LDA FOR SIMULTANEOUS RUNWAY OPERATIONS		
FROM	TO	LDA in ft
Thld rwy 24R	Intxn rwy 10-28	7200

**\* DEPARTURE PROCEDURE**  
 Rwys 06L, 06R - ½ - CLB HDG **040°** to **1100** BPOC.  
 Rwy 10 - ½ - CLB RWY HDG to **900** BPOC.  
 Rwy 24L - ½ - Church tower 246 ASL APRX 3000' SW of THLD 06R.  
 Rwy 24R - ½ - CLB RWY HDG to **1000** BPOC.  
 Rwy 28 - ½ - CLB HDG **220°** to **1600** BPOC.



<b>TAKE-OFF MINIMA</b>	<b>SCALE IN FEET</b>
Rwys 06L, 06R, 10, 24L, 24R and 28: *	1000 0 1000 2000

# AERODROME CHART

ST-HUBERT QC  
MONTRÉAL/ST-HUBERT  
NAD83

EFF 11 FEB 10 CHANGE: Buildings added

Source of Canadian Civil Aeronautical Data : © 2010 NAV CANADA All rights reserved



# CARTE D'AÉRODROME

MONTRÉAL/ST-HUBERT  
ST-HUBERT QC

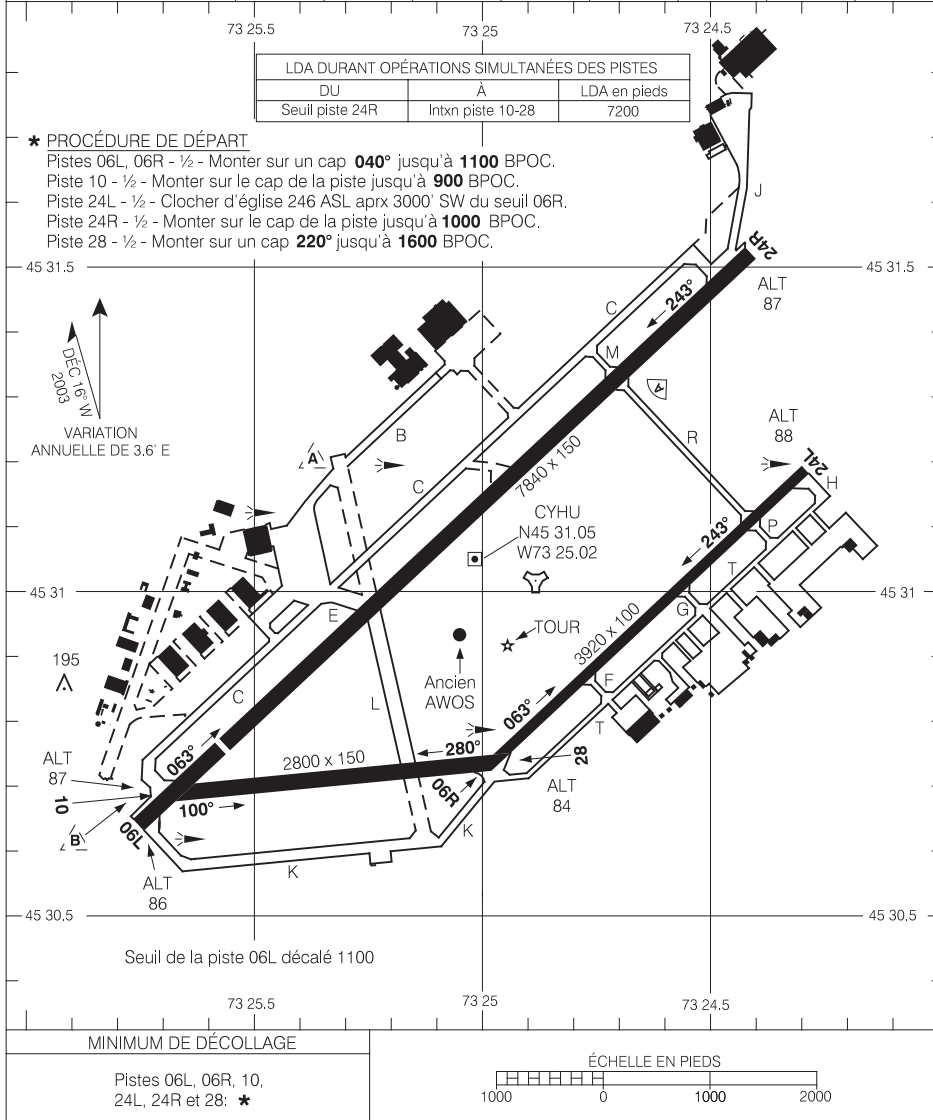
<b>AWOS</b> 124.4 (Fr) 124.9 (Ang)	<b>ATIS</b> 124.1 (Fr) 124.9 (Ang)	<b>SOL</b> 126.4	<b>TOUR</b> 118.4 O/T ROUYN RDO 118.4 (MF 5 NM)	<b>DÉP MONTREAL</b> 125.15 268.3
--	--	---------------------	---	--

DISTANCES DÉCLARÉES	06L	24R	06R	24L	10	28
TORA	7840	7840	3920	3920	2800	2800
TODA	7840	7840	3920	3920	3050	3300
ASDA	7840	7840	3920	3920	2800	2800
LDA	6740	7840	3920	3920	2800	2800

LDA DURANT OPÉRATIONS SIMULTANÉES DES PISTES		
DU	À	LDA en pieds
Seuil piste 24R	Intxn piste 10-28	7200

**\* PROCÉDURE DE DÉPART**

- Pistes 06L, 06R - ½ - Monter sur un cap **040°** jusqu'à **1100** BPOC.
- Piste 10 - ½ - Monter sur le cap de la piste jusqu'à **900** BPOC.
- Piste 24L - ½ - Clocher d'église 246 ASL aprx 3000' SW du seuil 06R.
- Piste 24R - ½ - Monter sur le cap de la piste jusqu'à **1000** BPOC.
- Piste 28 - ½ - Monter sur un cap **220°** jusqu'à **1600** BPOC.



Source des données aéronautiques civiles pour le Canada. © 2010 NAV CANADA Tous droits réservés

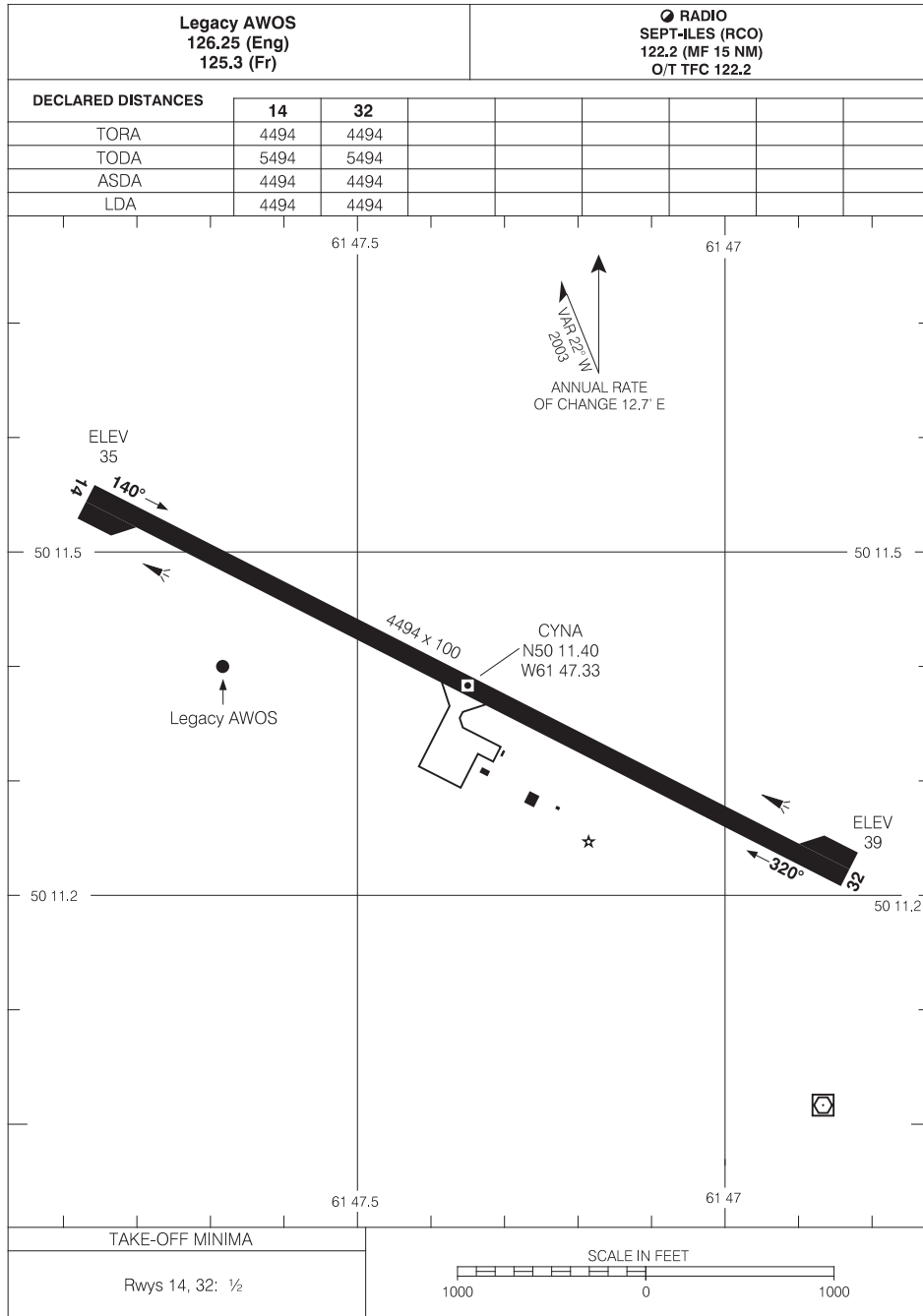
# CARTE D'AERODROME

ST-HUBERT QC  
MONTRÉAL/ST-HUBERT  
NAD83

VAL 11 FÉV 10      CHANGEMENT: Bâtiment ajouté

# AERODROME CHART

NATASHQUAN  
NATASHQUAN QC



Source of Canadian Civil Aeronautical Data : © 2010 NAV CANADA All rights reserved

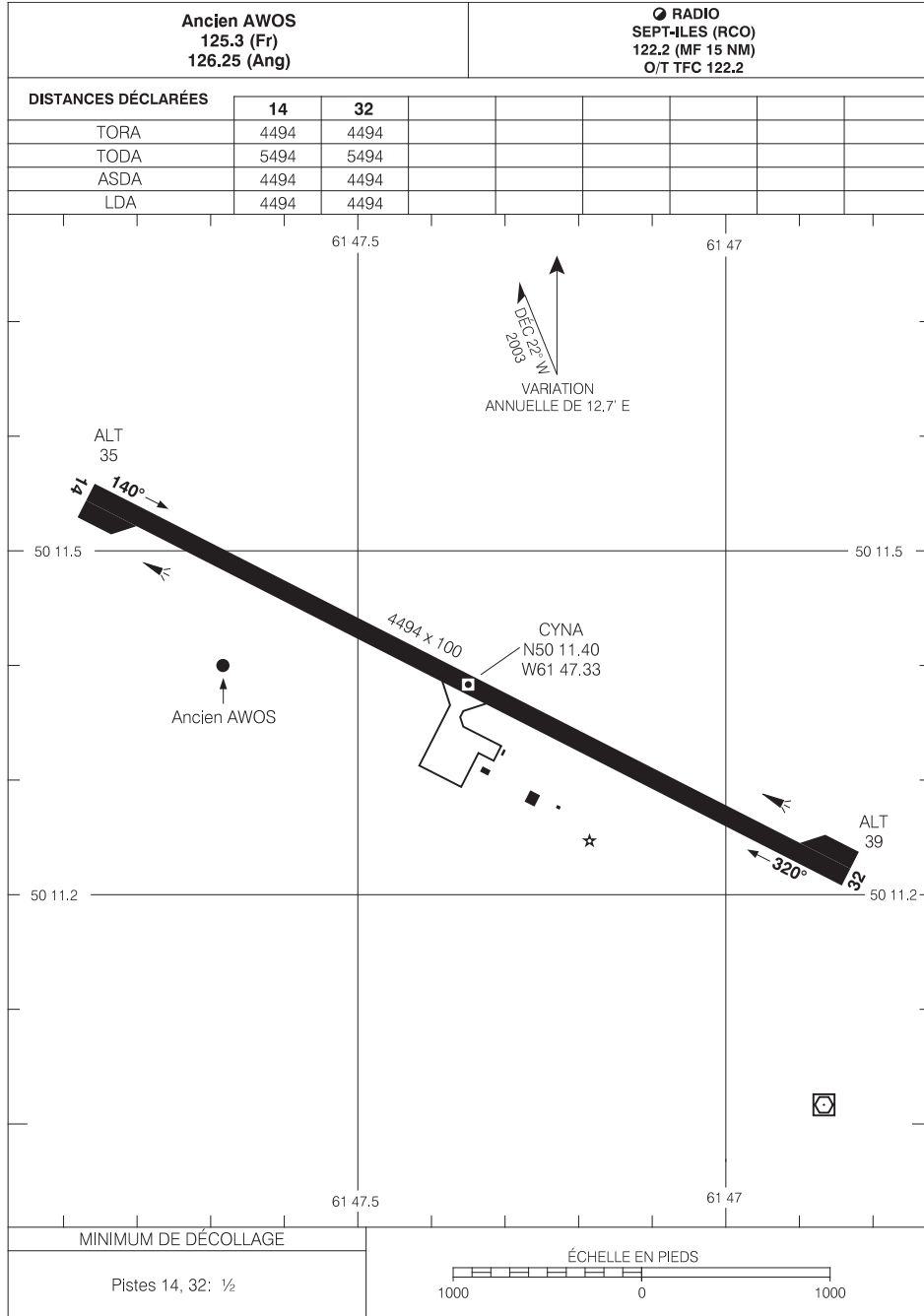
# AERODROME CHART

NATASHQUAN QC  
NATASHQUAN  
NAD83

EFF 20 NOV 08 CHANGE: AWOS

# CARTE D'AÉRODROME

NATASHQUAN  
NATASHQUAN QC



Source des données aéronautiques civiles pour le Canada: © 2010 NAV CANADA Tous droits réservés

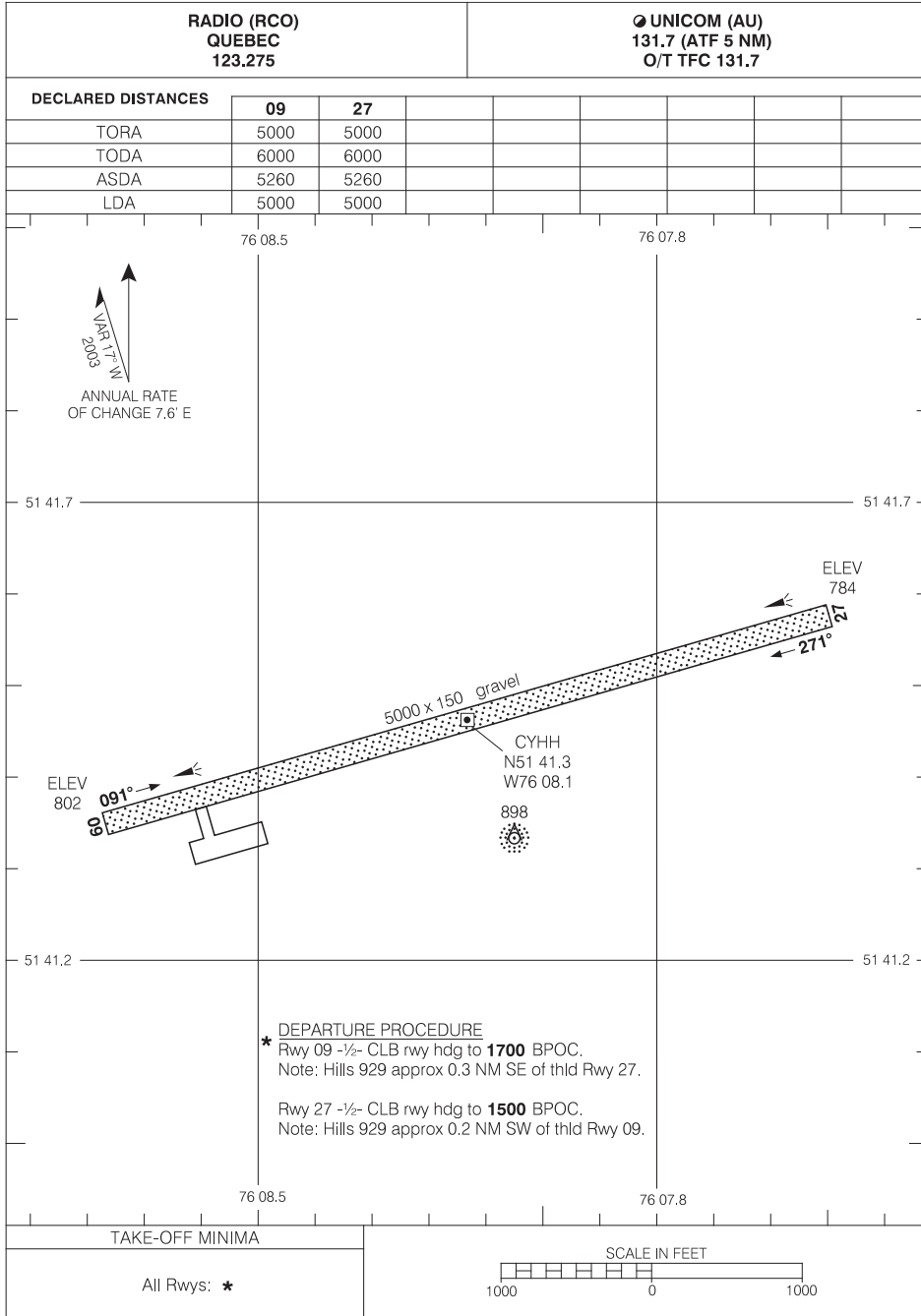
# CARTE D'AERODROME

NATASHQUAN QC  
NATASHQUAN  
NAD83

VAL 20 NOV 08      CHANGEMENT: AWOS

# AERODROME CHART

NEMISCAU  
NEMISCAU QC



Source of Canadian Civil Aeronautical Data : © 2010 NAV CANADA All rights reserved

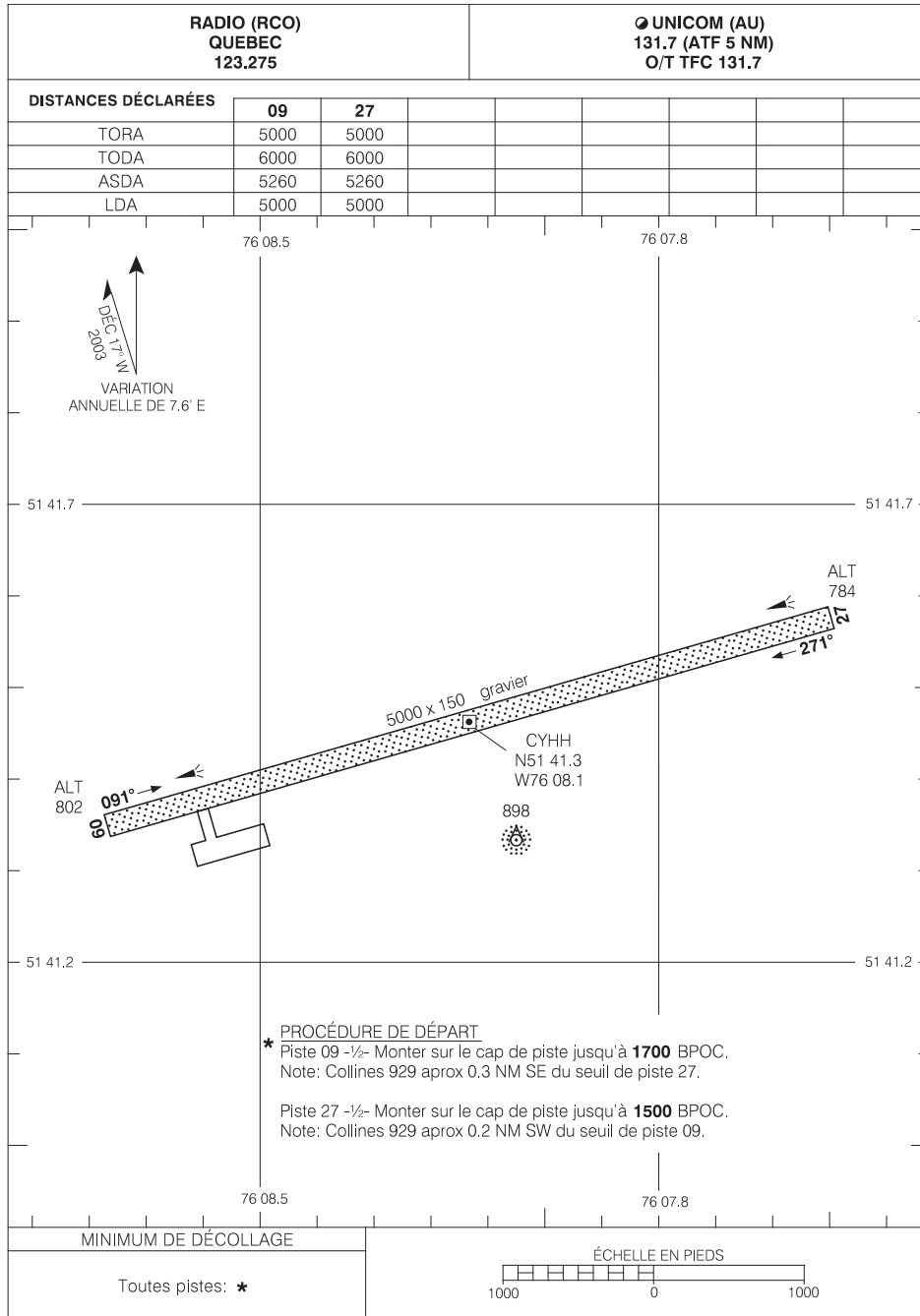
# AERODROME CHART

NEMISCAU QC  
NEMISCAU  
NAD83

EFF 5 JUL 07 CHANGE: RCO freq

# CARTE D'AÉRODROME

NEMISCAU  
NEMISCAU QC



Source des données aéronautiques civiles pour le Canada: © 2010 NAV CANADA Tous droits réservés

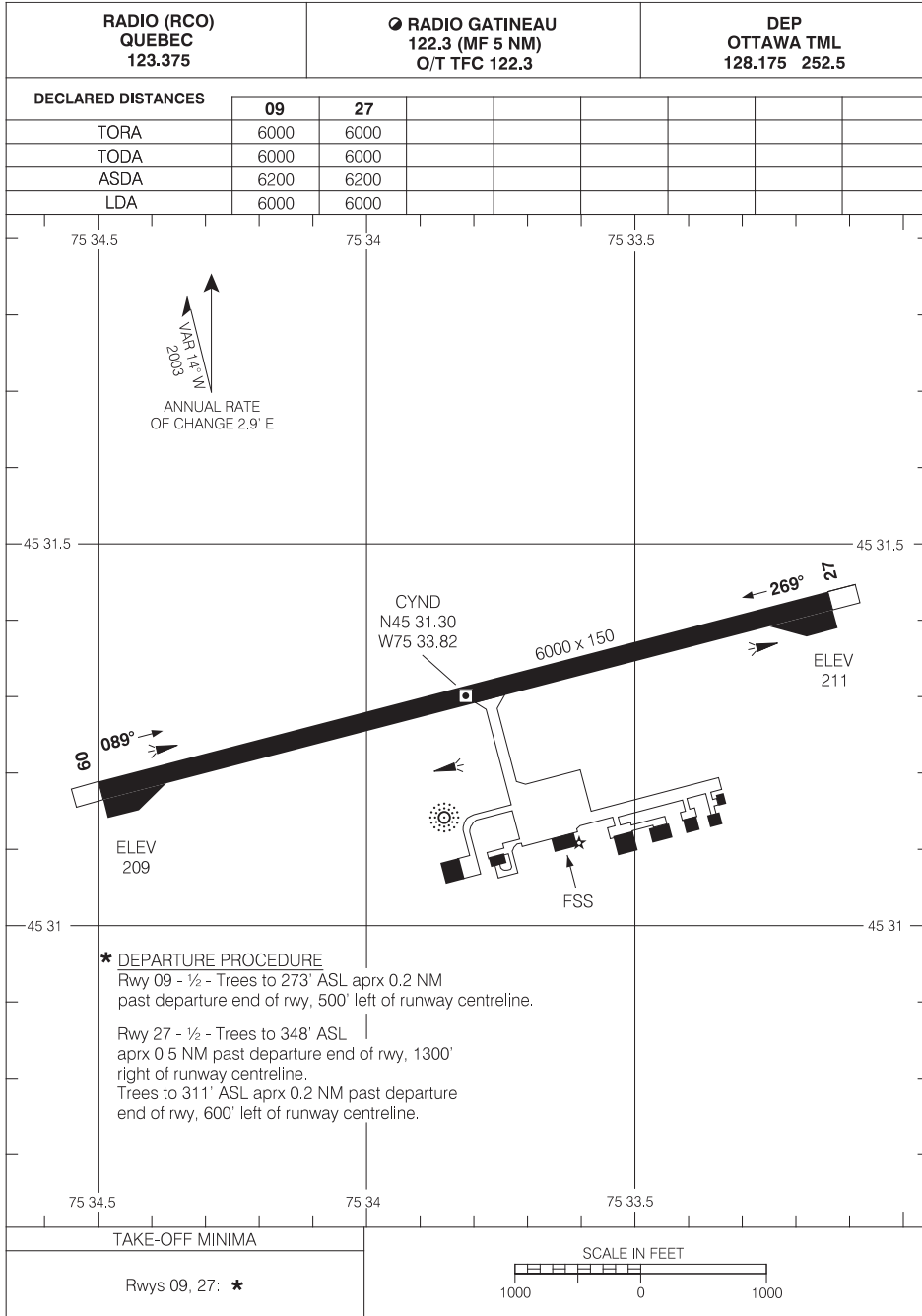
# CARTE D'AERODROME

NEMISCAU QC  
NEMISCAU  
NAD83

VAL 5 JUIL 07      CHANGEMENT: Fréq RCO

# AERODROME CHART

OTTAWA/GATINEAU  
GATINEAU QC



Source of Canadian Civil Aeronautical Data : © 2010 NAV CANADA All rights reserved

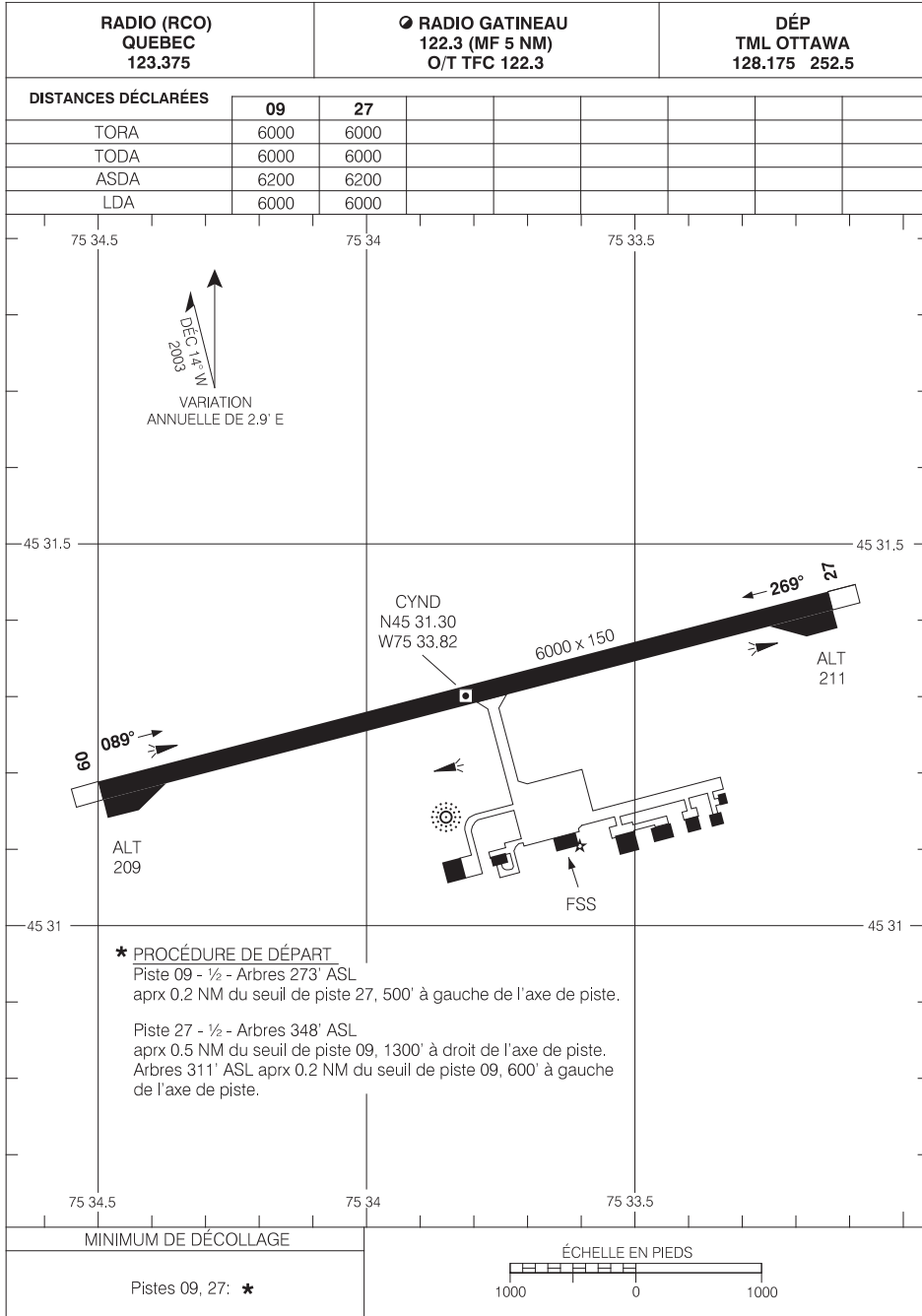
# AERODROME CHART

GATINEAU QC  
OTTAWA/GATINEAU  
NAD83

EFF 11 FEB 10      CHANGE: Comm, AGCC

# CARTE D'AÉRODROME

OTTAWA/GATINEAU  
GATINEAU QC



Source des données aéronautiques civiles pour le Canada. © 2010 NAV CANADA. Tous droits réservés.

# CARTE D'AÉRODROME

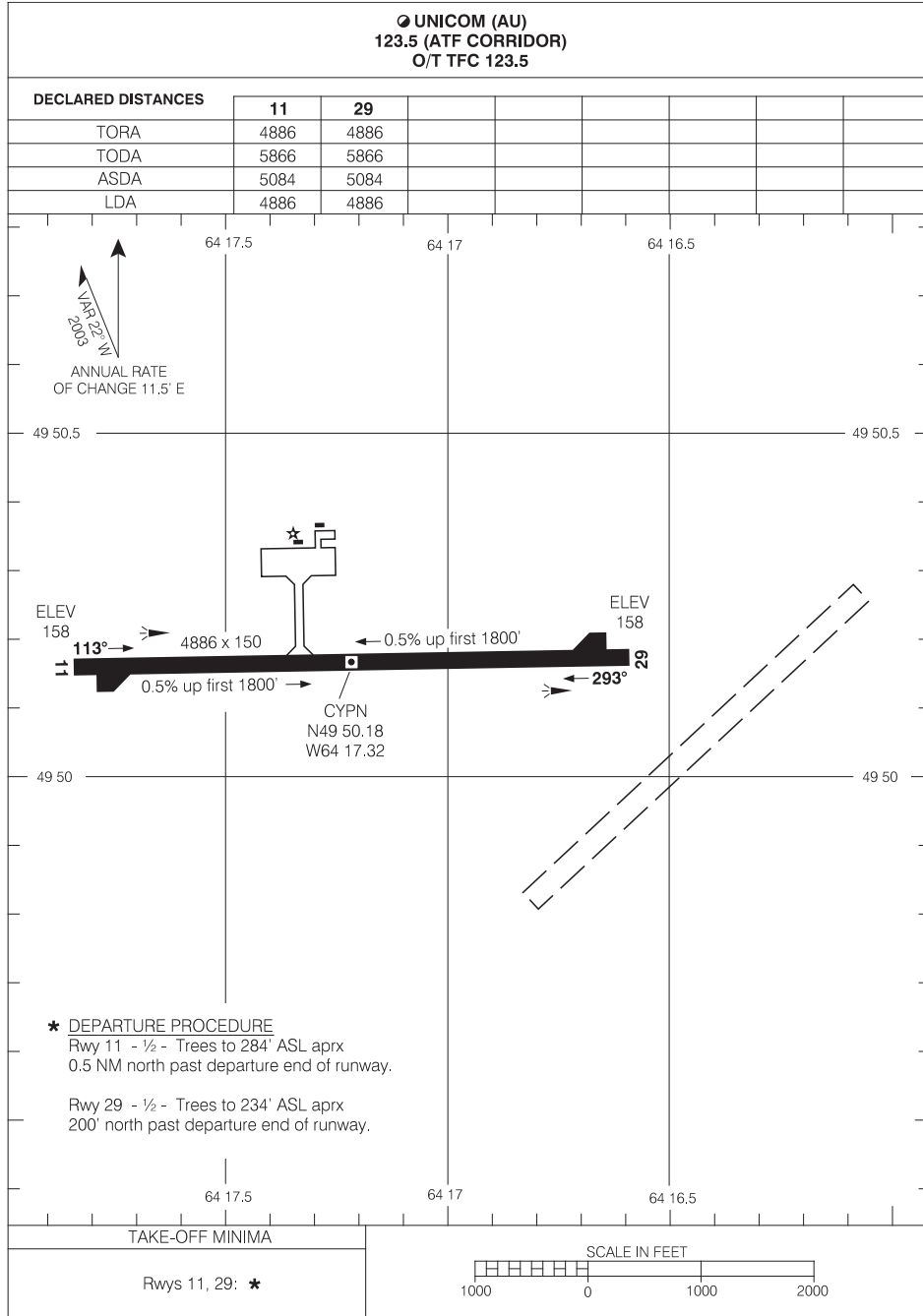
GATINEAU QC  
OTTAWA/GATINEAU  
NAD83

VAL 11 FÉV 10

CHANGEMENT: Comm, AGCC

# AERODROME CHART

PORT-MENIER  
PORT-MENIER QC



# AERODROME CHART

PORT-MENIER QC  
PORT-MENIER  
NAD83

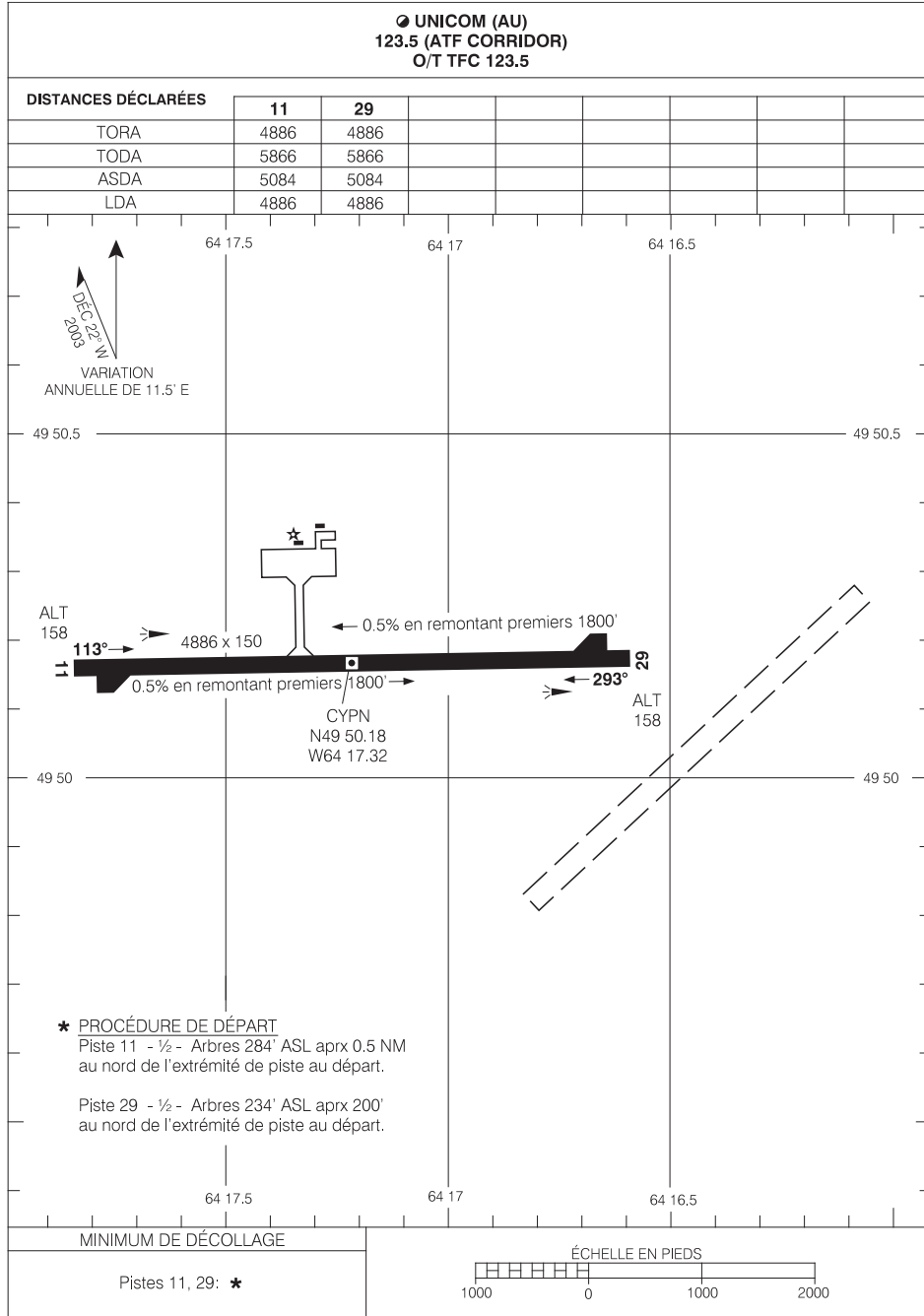
EFF 8 JUN 06

CHANGE: Editorial



# CARTE D'AÉRODROME

PORT-MENIER  
PORT-MENIER QC



Source des données aéronautiques civiles pour le Canada. © 2010 NAV CANADA Tous droits réservés

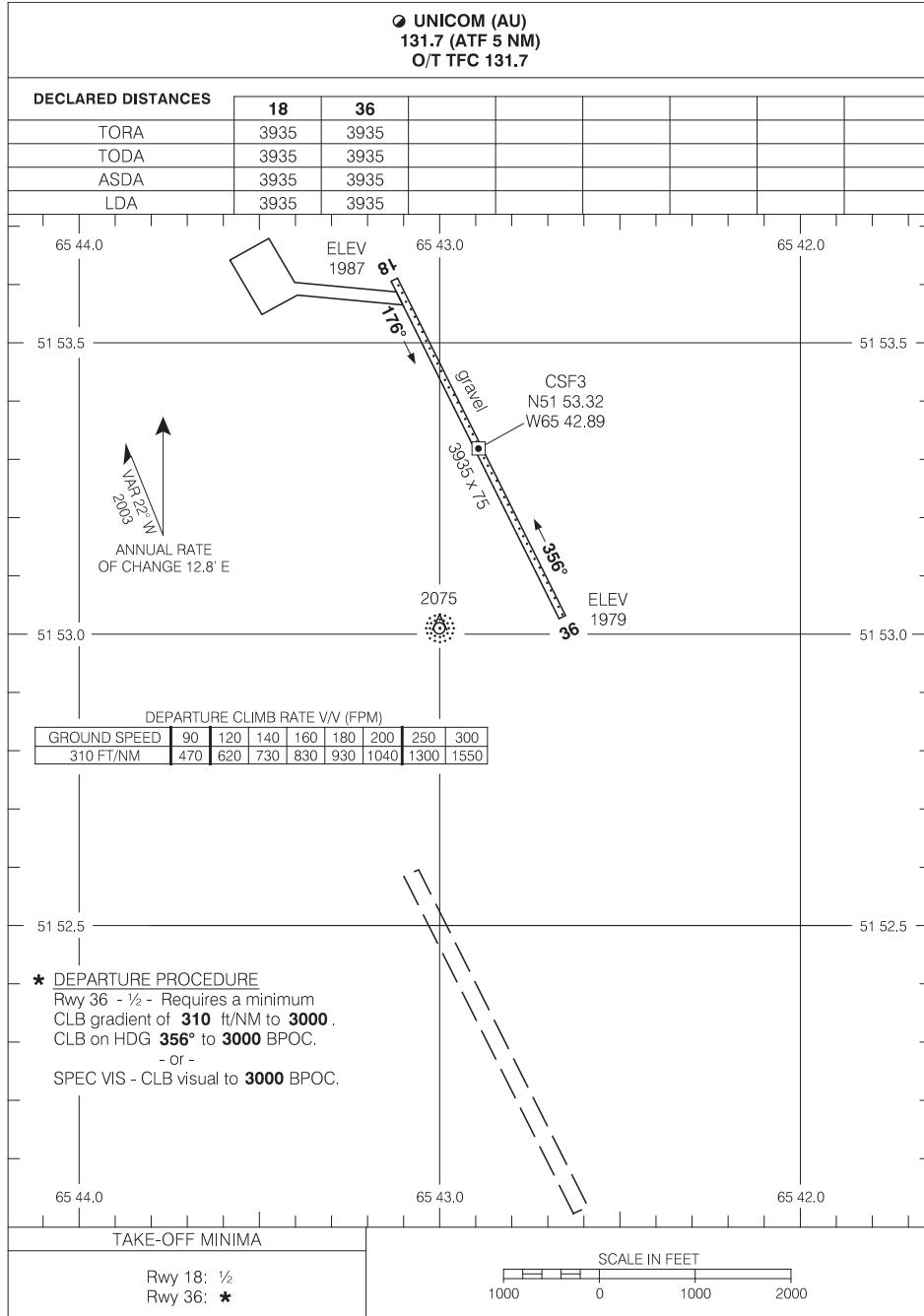
# CARTE D'AERODROME

PORT-MENIER QC  
PORT-MENIER  
NAD83

VAL 8 JUIN 06      CHANGEMENT: Éditorial

# AERODROME CHART

POSTE MONTAGNAIS  
LAC WALKER QC



# AERODROME CHART

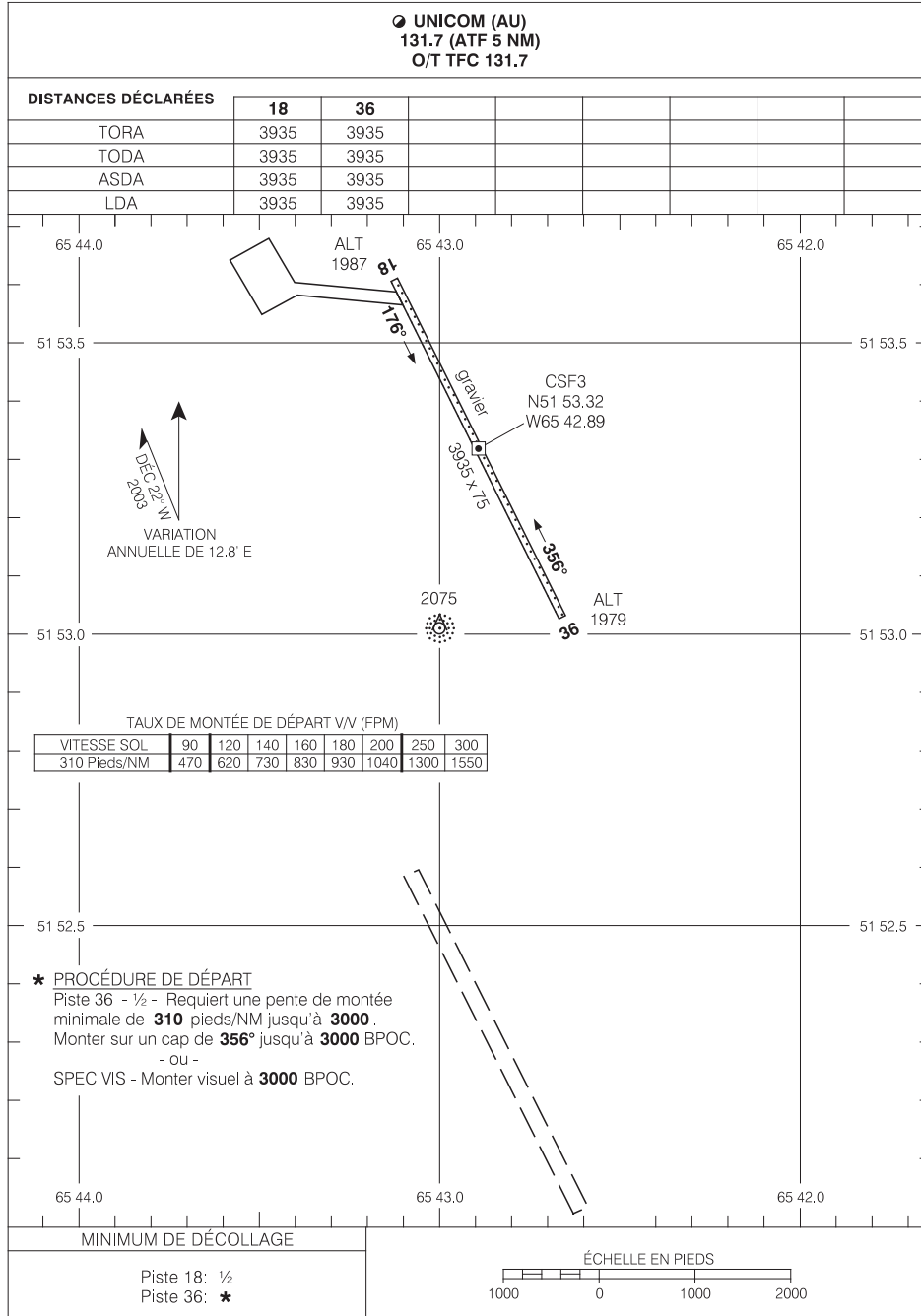
LAC WALKER QC  
POSTE MONTAGNAIS  
NAD83

EFF 8 JUN 06

CHANGE: Editorial

# CARTE D'AÉRODROME

POSTE MONTAGNAIS  
LAC WALKER QC



Source des données aéronautiques civiles pour le Canada © 2010 NAV CANADA Tous droits réservés

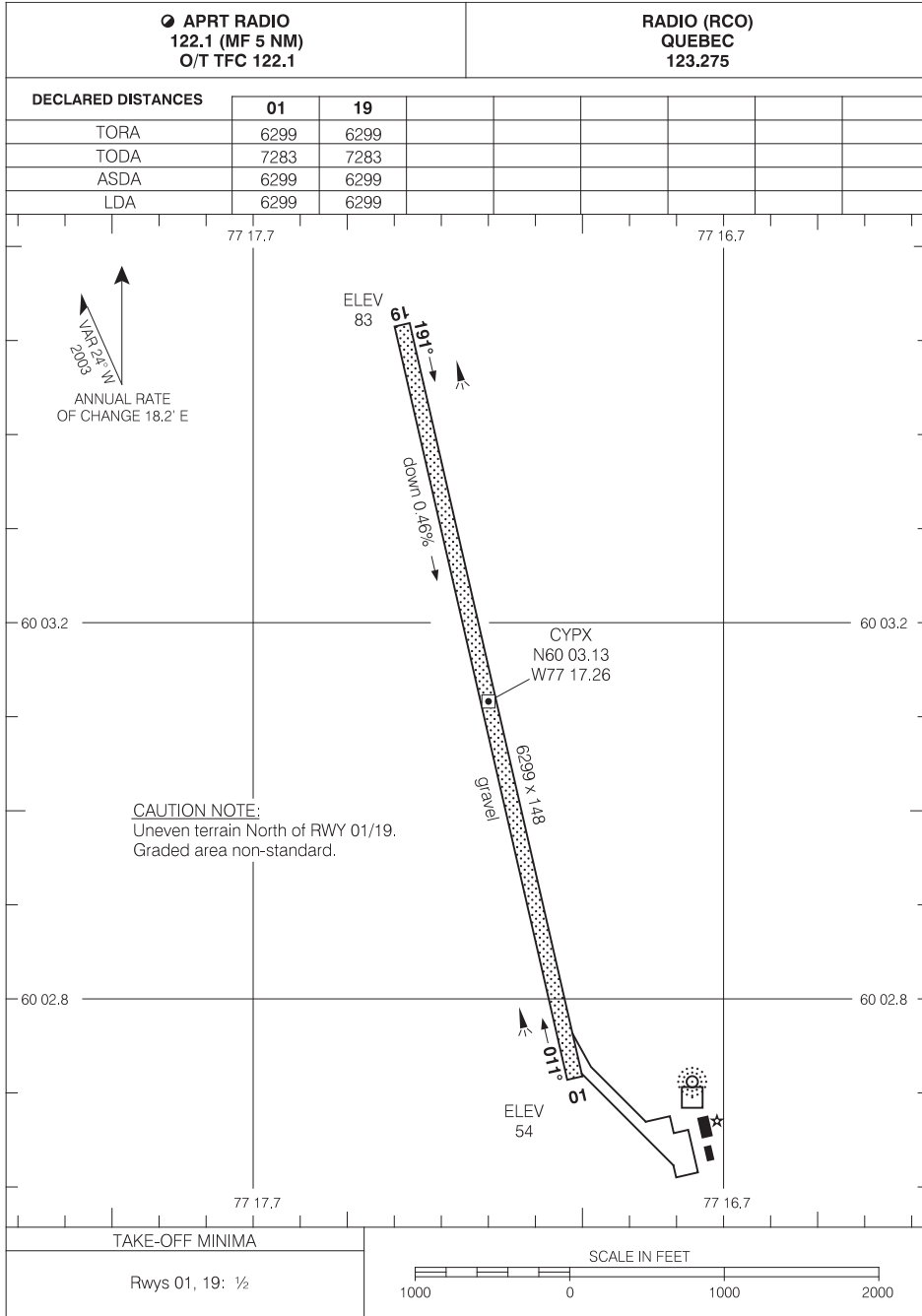
# CARTE D'AERODROME

LAC WALKER QC  
POSTE MONTAGNAIS  
NAD83

VAL 8 JUIN 06      CHANGEMENT: Éditorial

# AERODROME CHART

PUVIRNITUQ  
PUVIRNITUQ QC



Source of Canadian Civil Aeronautical Data : © 2010 NAV CANADA All rights reserved

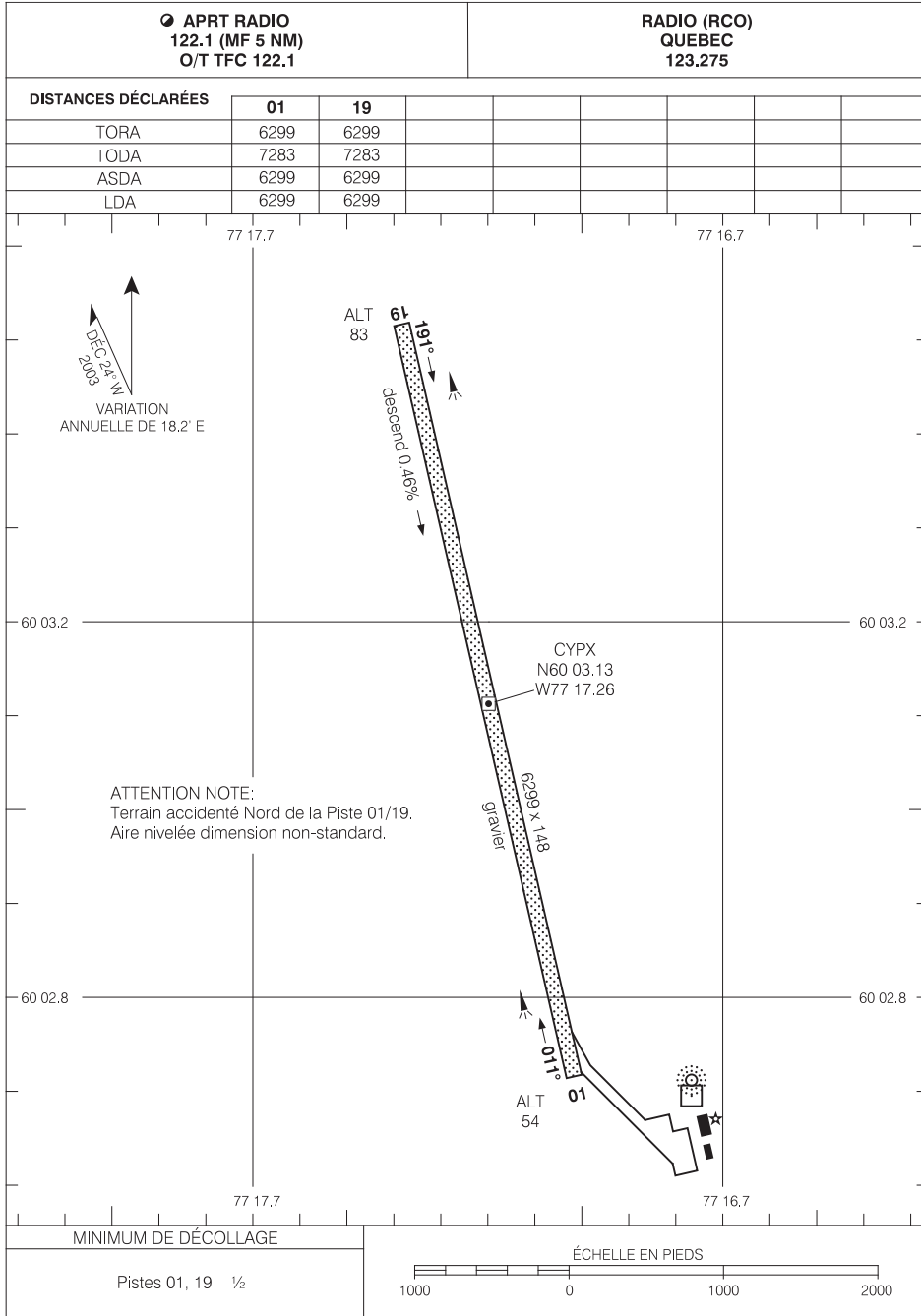
# AERODROME CHART

PUVIRNITUQ QC  
PUVIRNITUQ  
NAD83

EFF 17 DEC 09 CHANGE: Declared distances, annual rate of change, rwy length, elev, slope

# CARTE D'AÉRODROME

PUVIRNITUQ  
PUVIRNITUQ QC



Source des données aéronautiques civiles pour le Canada: © 2010 NAV CANADA Tous droits réservés

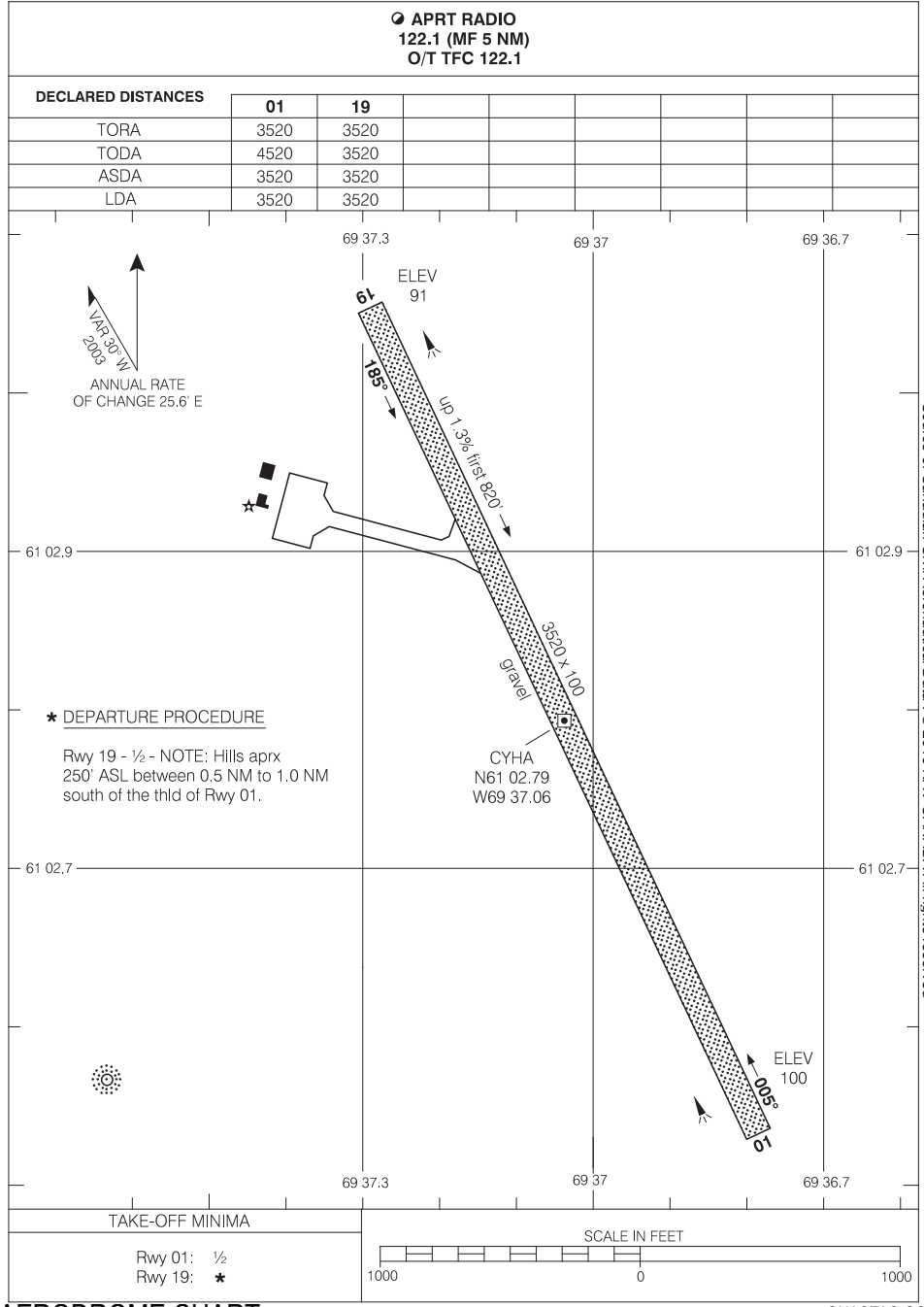
# CARTE D'AERODROME

PUVIRNITUQ QC  
PUVIRNITUQ  
NAD83

VAL 17 DÉC 09      CHANGEMENT: Distances déclarées, variation annuelle, altitude

# AERODROME CHART

QUAQTAQ  
QUAQTAQ QC



Source of Canadian Civil Aeronautical Data : © 2010 NAV CANADA All rights reserved

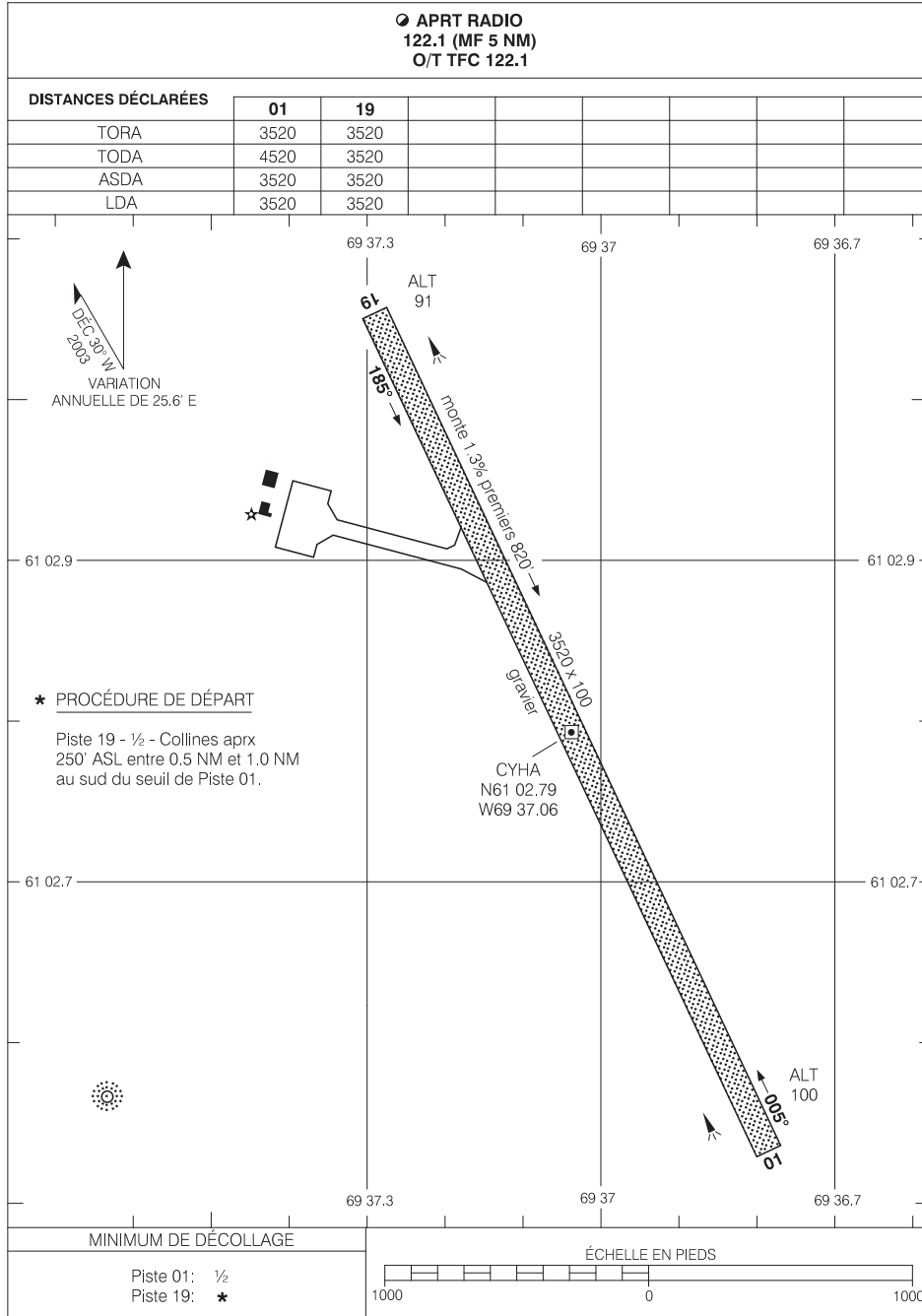
# AERODROME CHART

QUAQTAQ QC  
QUAQTAQ  
NAD83

EFF 8 JUN 06 CHANGE: Editorial

# CARTE D'AÉRODROME

QUAQTAQ  
QUAQTAQ QC



Source des données aéronautiques civiles pour le Canada. © 2010 NAV CANADA Tous droits réservés

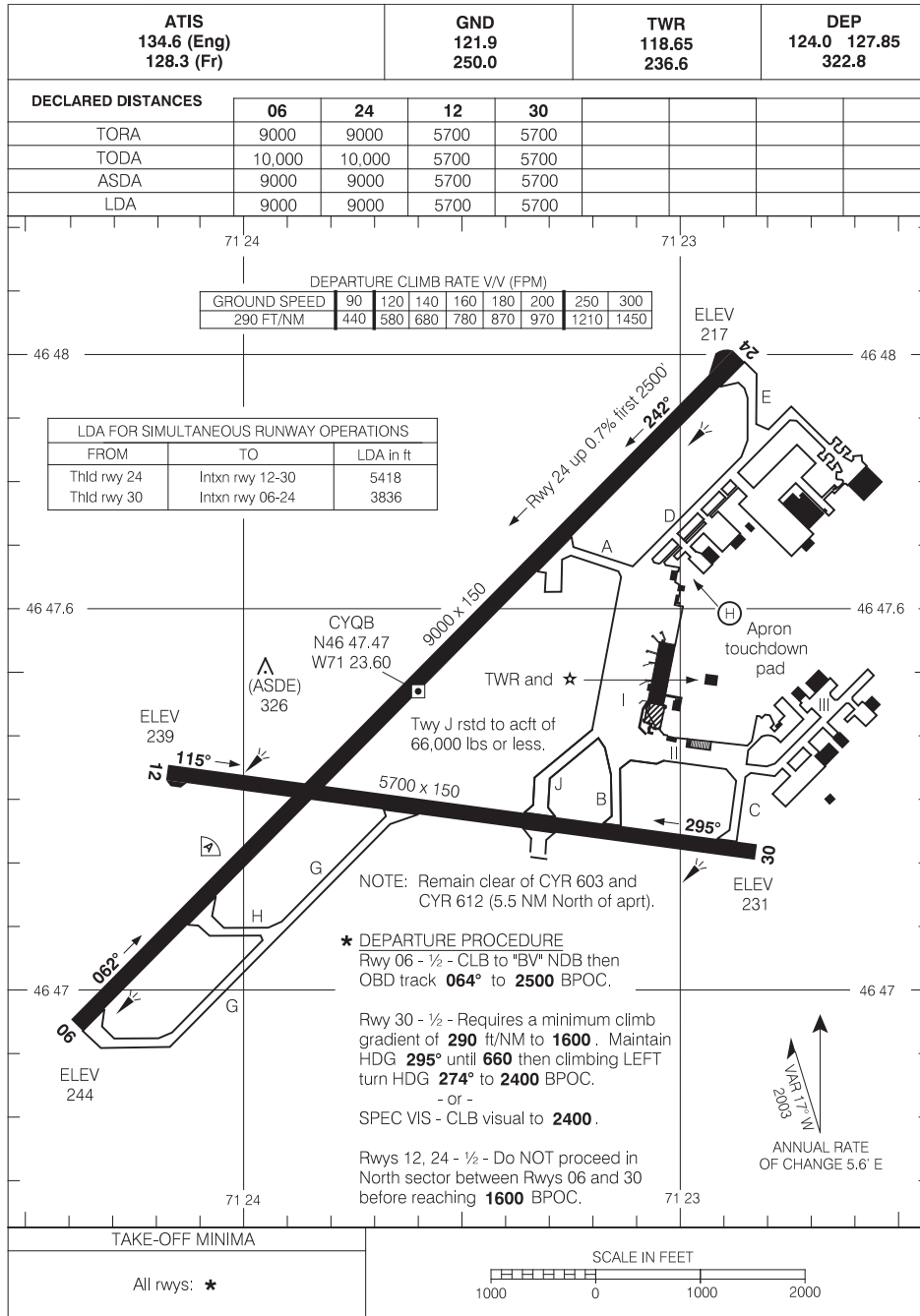
# CARTE D'AERODROME

QUAQTAQ QC  
QUAQTAQ  
NAD83

VAL 8 JUIN 06      CHANGEMENT: Éditorial

# AERODROME CHART

QUÉBEC/JEAN LESAGE INTL  
QUÉBEC QC



Source of Canadian Civil Aeronautical Data : © 2010 NAV CANADA All rights reserved

# AERODROME CHART

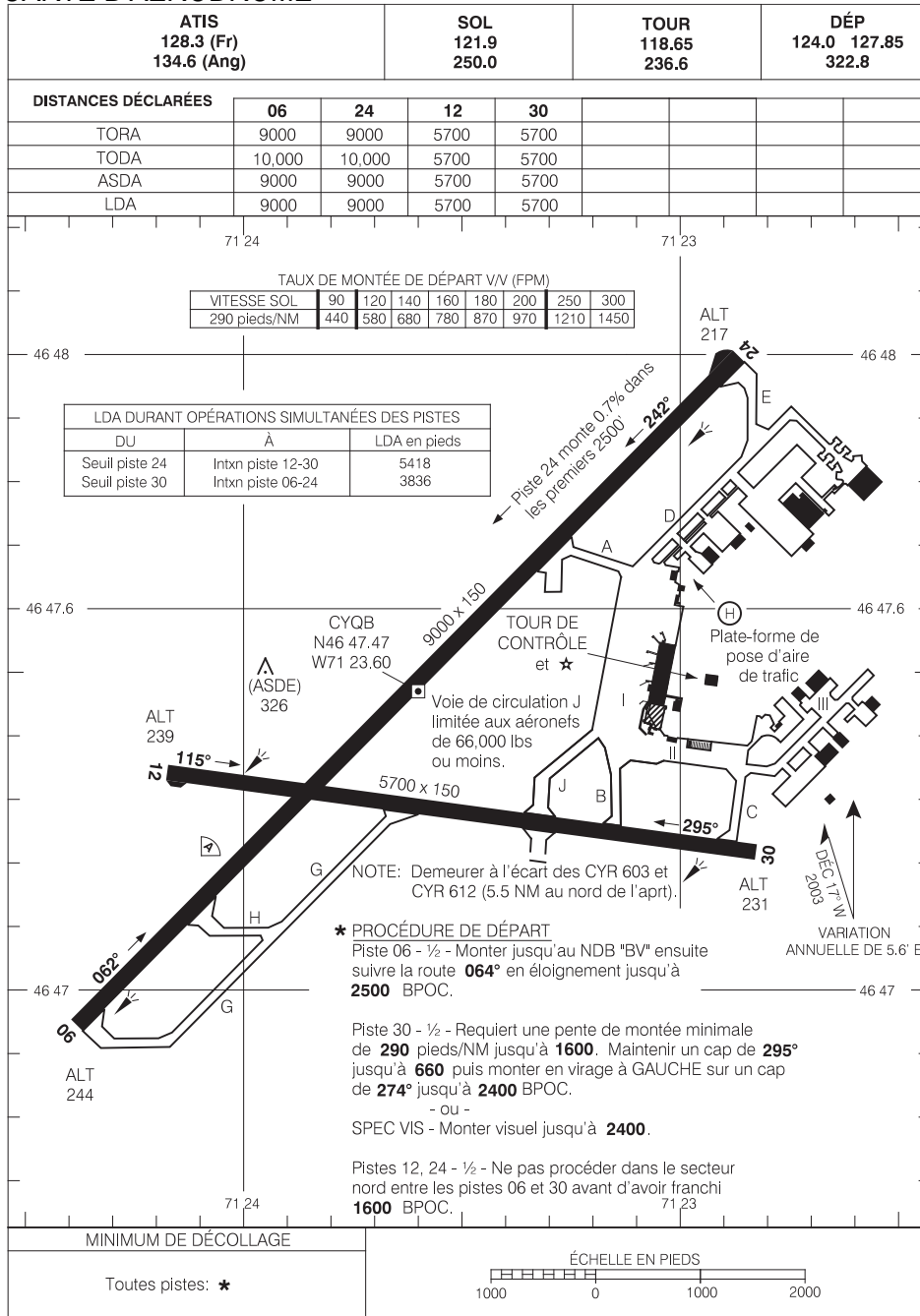
QUÉBEC QC  
QUÉBEC/JEAN LESAGE INTL  
NAD83

EFF 27 AUG 09 CHANGE: VOT deleted



# CARTE D'AÉRODROME

QUÉBEC/JEAN LESAGE INTL  
QUÉBEC QC



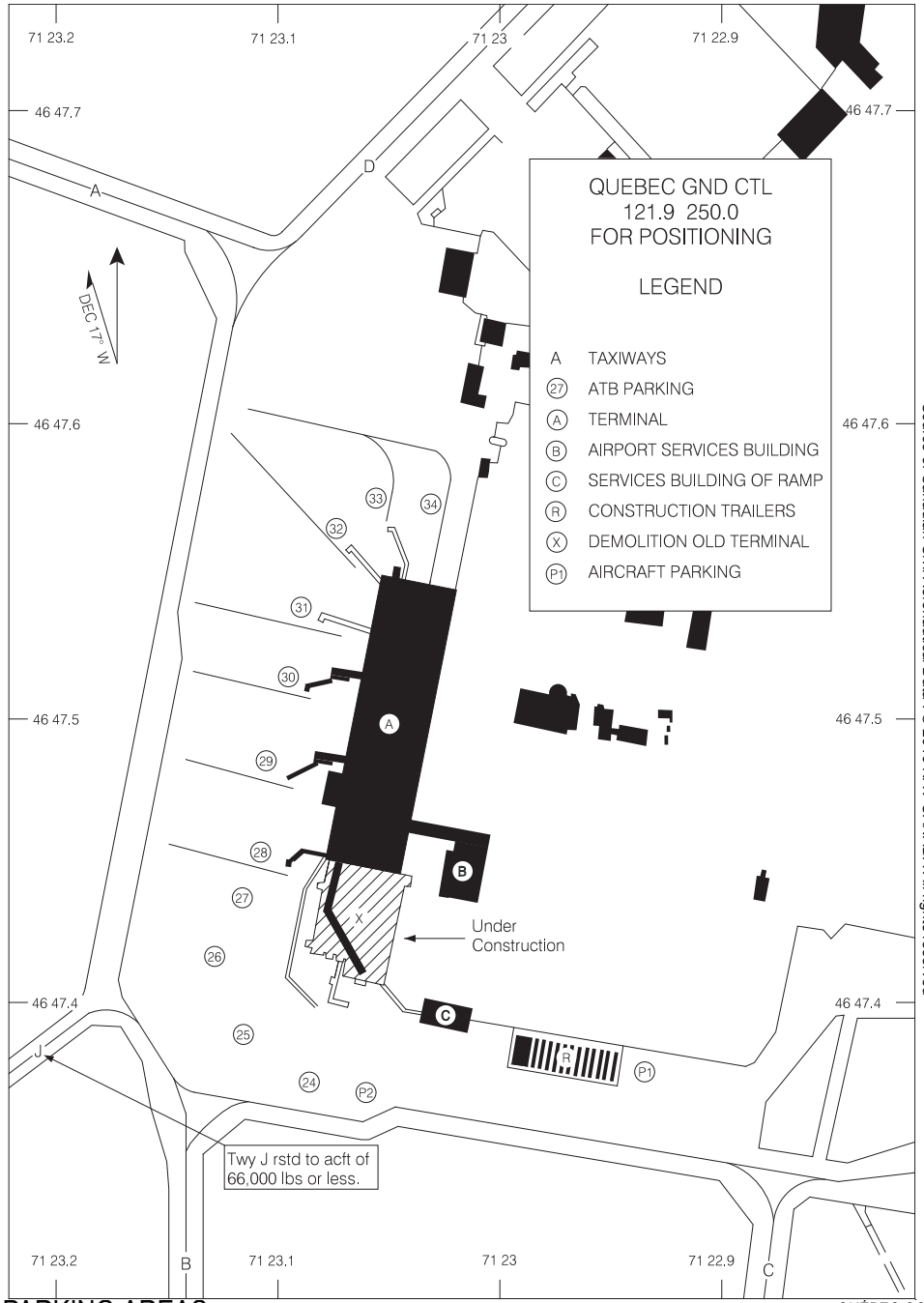
# CARTE D'AÉRODROME

QUÉBEC QC  
QUÉBEC/JEAN LESAGE INTL  
NAD83

VAL 8 JUIN 06      CHANGEMENT: Éditorial

PARKING AREAS

QUÉBEC/JEAN LESAGE INTL  
QUÉBEC QC



Source of Canadian Civil Aeronautical Data : © 2010 NAV CANADA All rights reserved

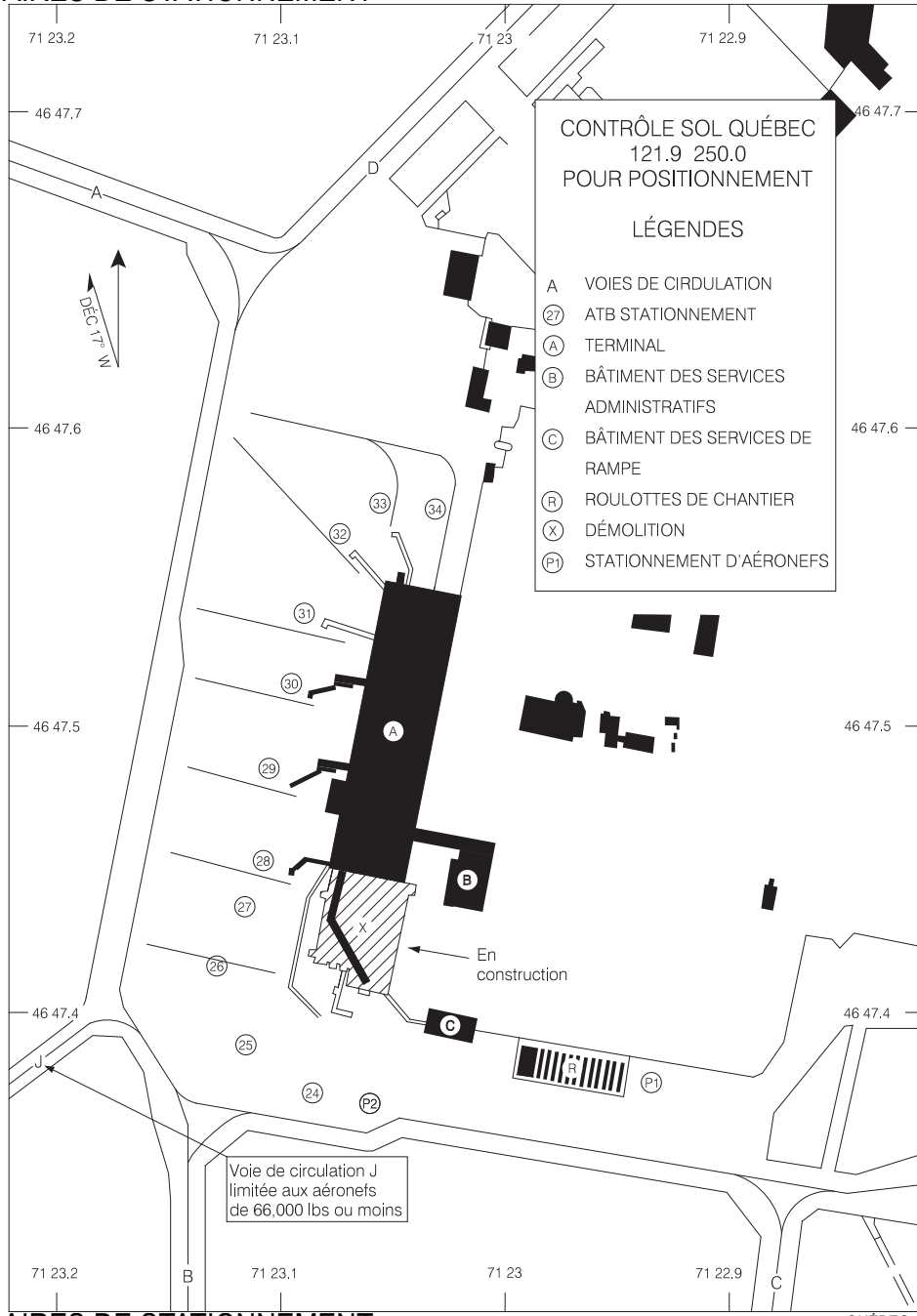
PARKING AREAS

QUÉBEC QC  
QUÉBEC/JEAN LESAGE INTL  
NAD83

EFF 15 JAN 09 CHANGE: Revised

AIRES DE STATIONNEMENT

QUÉBEC/JEAN LESAGE INTL  
QUÉBEC QC



**CONTRÔLE SOL QUÉBEC**  
 121.9 250.0  
 POUR POSITIONNEMENT  
  
**LÉGENDES**  
 A VOIES DE CIRDULATION  
 (27) ATB STATIONNEMENT  
 (A) TERMINAL  
 (B) BÂTIMENT DES SERVICES ADMINISTRATIFS  
 (C) BÂTIMENT DES SERVICES DE RAMPE  
 (R) ROULOTTES DE CHANTIER  
 (X) DÉMOLITION  
 (P1) STATIONNEMENT D'AÉRONEFS

Voie de circulation J limitée aux aéronefs de 66,000 lbs ou moins

Source des données aéronautiques civiles pour le Canada © 2010 NAV CANADA Tous droits réservés

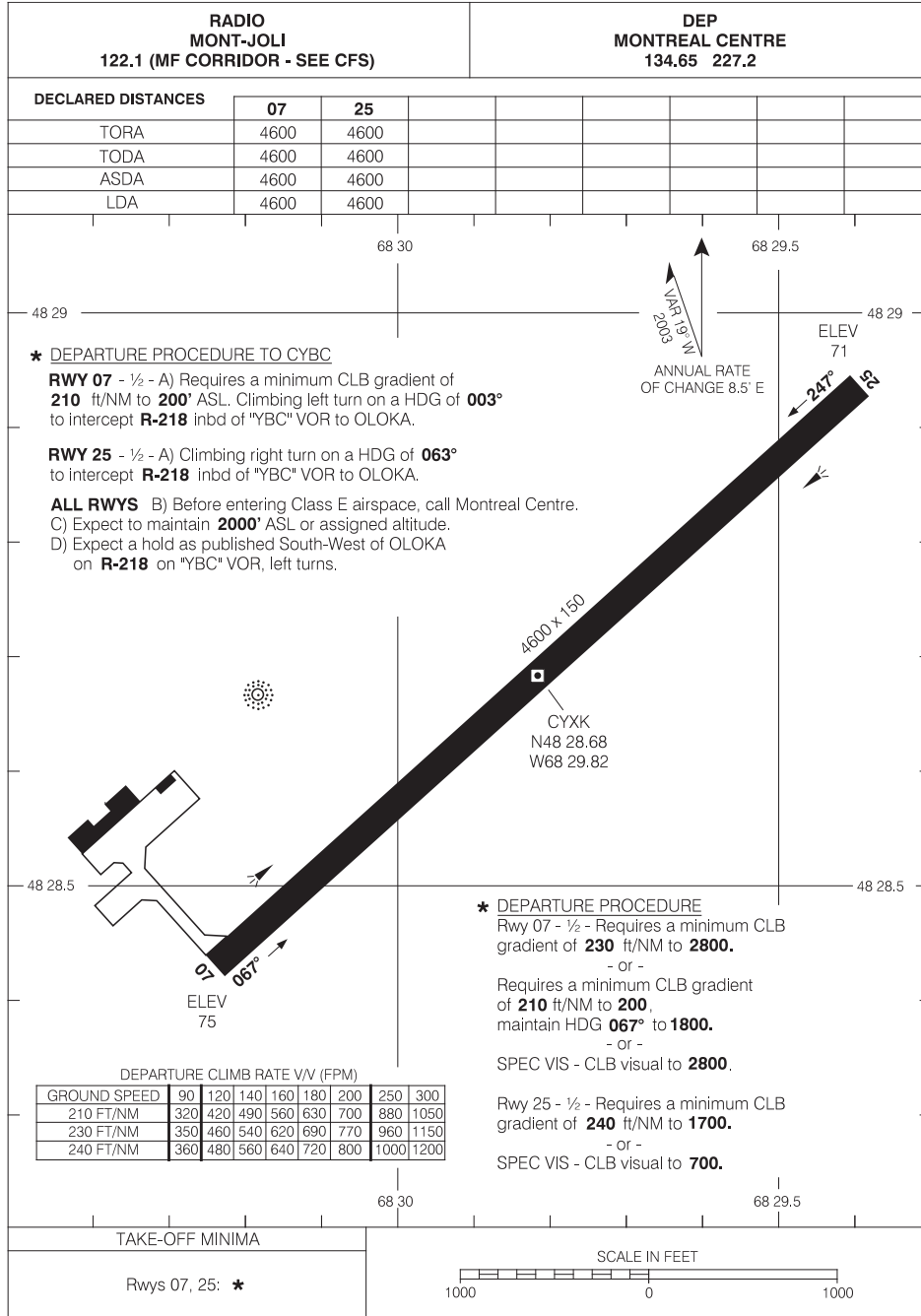
AIRES DE STATIONNEMENT

QUÉBEC QC  
QUÉBEC/JEAN LESAGE INTL  
NAD83

VAL 2 JUIL 09      CHANGEMENT: Rampe 31

# AERODROME CHART

RIMOUSKI  
RIMOUSKI QC



Source of Canadian Civil Aeronautical Data : © 2010 NAV CANADA All rights reserved

# AERODROME CHART

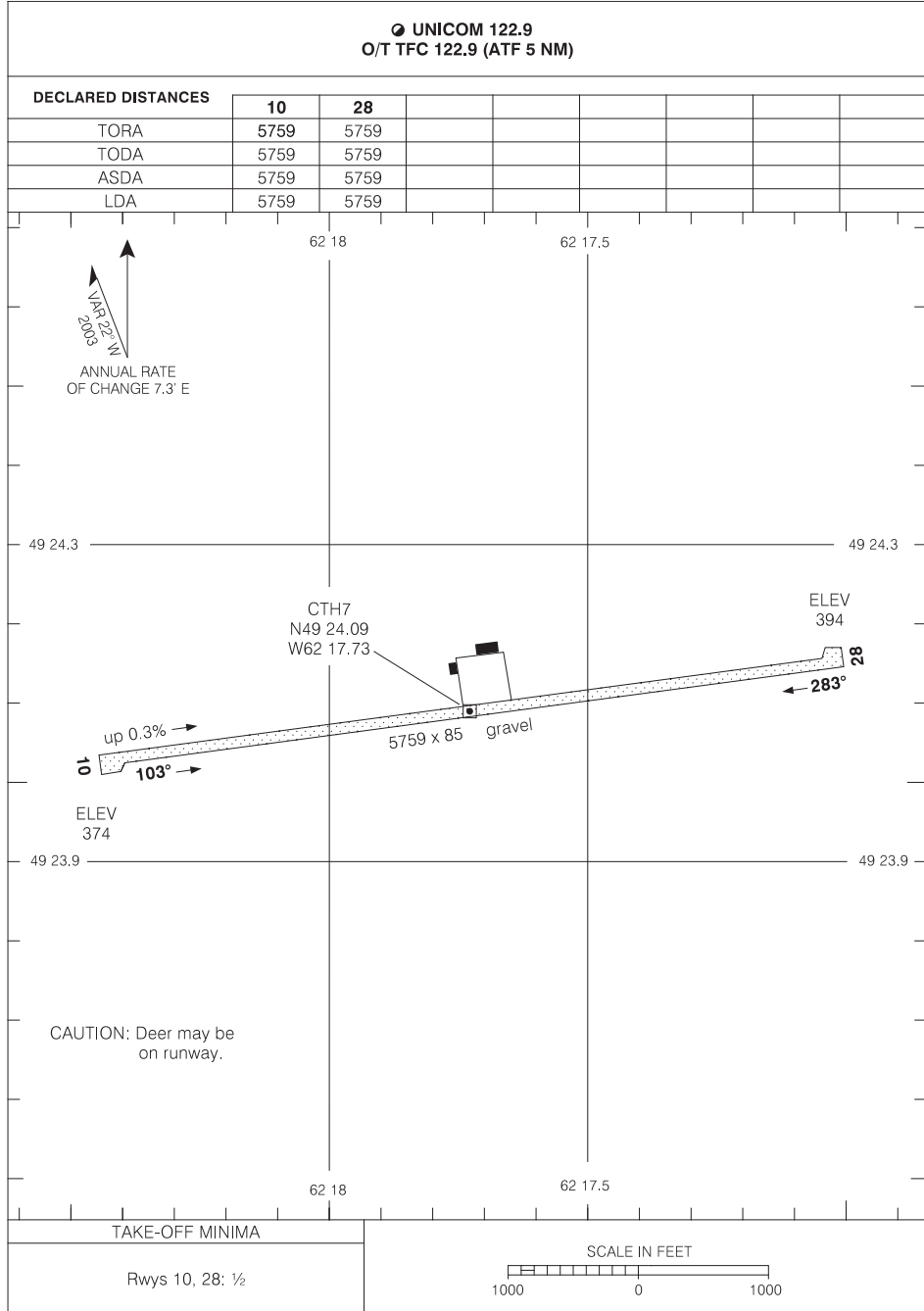
RIMOUSKI QC  
RIMOUSKI  
NAD83

EFF 25 OCT 07 CHANGE: Editorial



# AERODROME CHART

RIVIÈRE-AUX-SAUMONS  
RIVIÈRE-AUX-SAUMONS QC



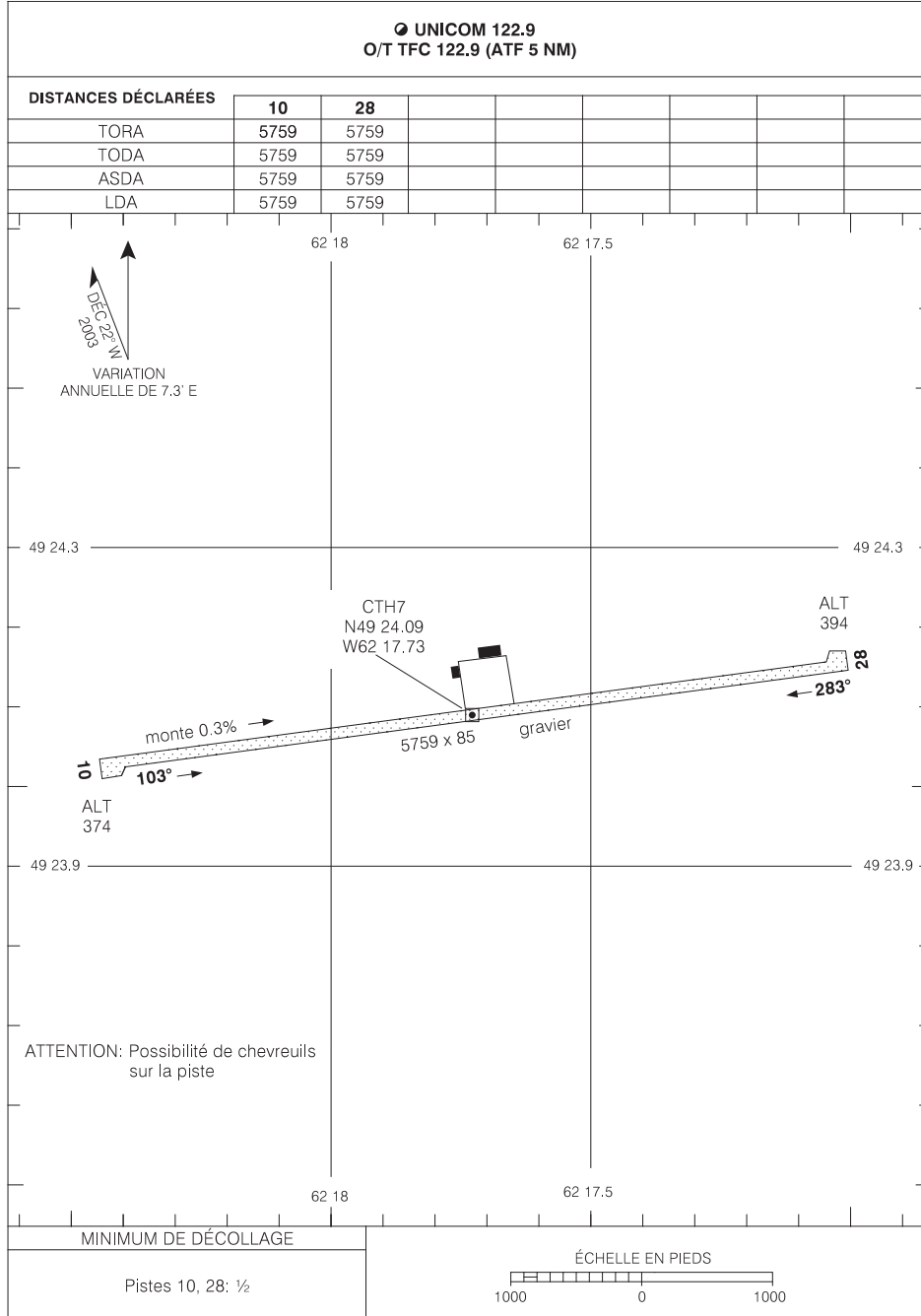
# AERODROME CHART

RIVIÈRE-AUX-SAUMONS QC  
RIVIÈRE-AUX-SAUMONS  
NAD83

EFF 25 SEP 08 CHANGE: New A/D chart

# CARTE D'AÉRODROME

RIVIÈRE-AUX-SAUMONS  
RIVIÈRE-AUX-SAUMONS QC



# CARTE D'AERODROME

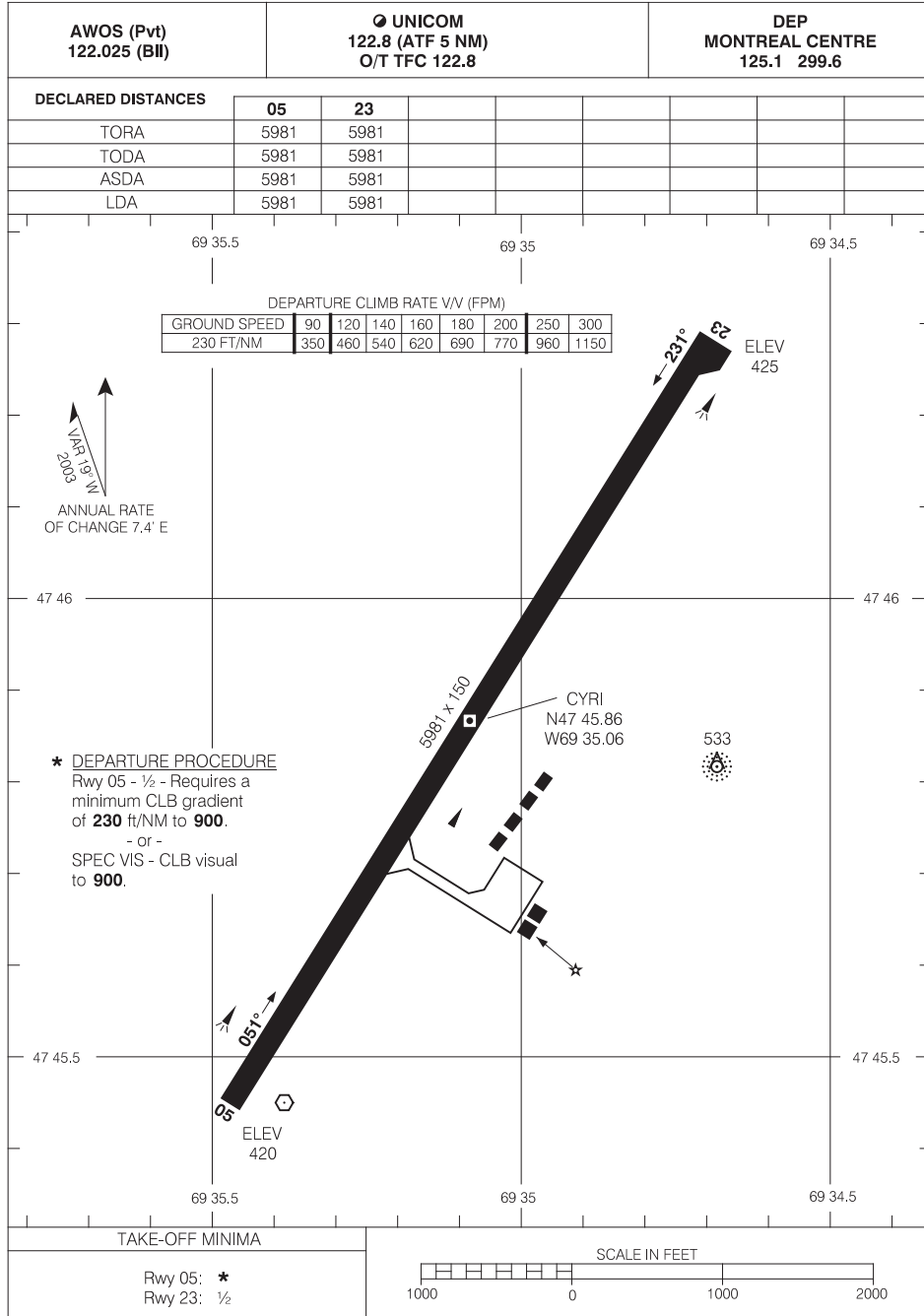
RIVIÈRE-AUX-SAUMONS QC  
RIVIÈRE-AUX-SAUMONS  
NAD83

VAL 25 SEP 08

CHANGEMENT: Nouvelle carte d'aérodrome

# AERODROME CHART

RIVIÈRE-DU-LOUP  
RIVIÈRE-DU-LOUP QC



Source of Canadian Civil Aeronautical Data : © 2010 NAV CANADA All rights reserved

# AERODROME CHART

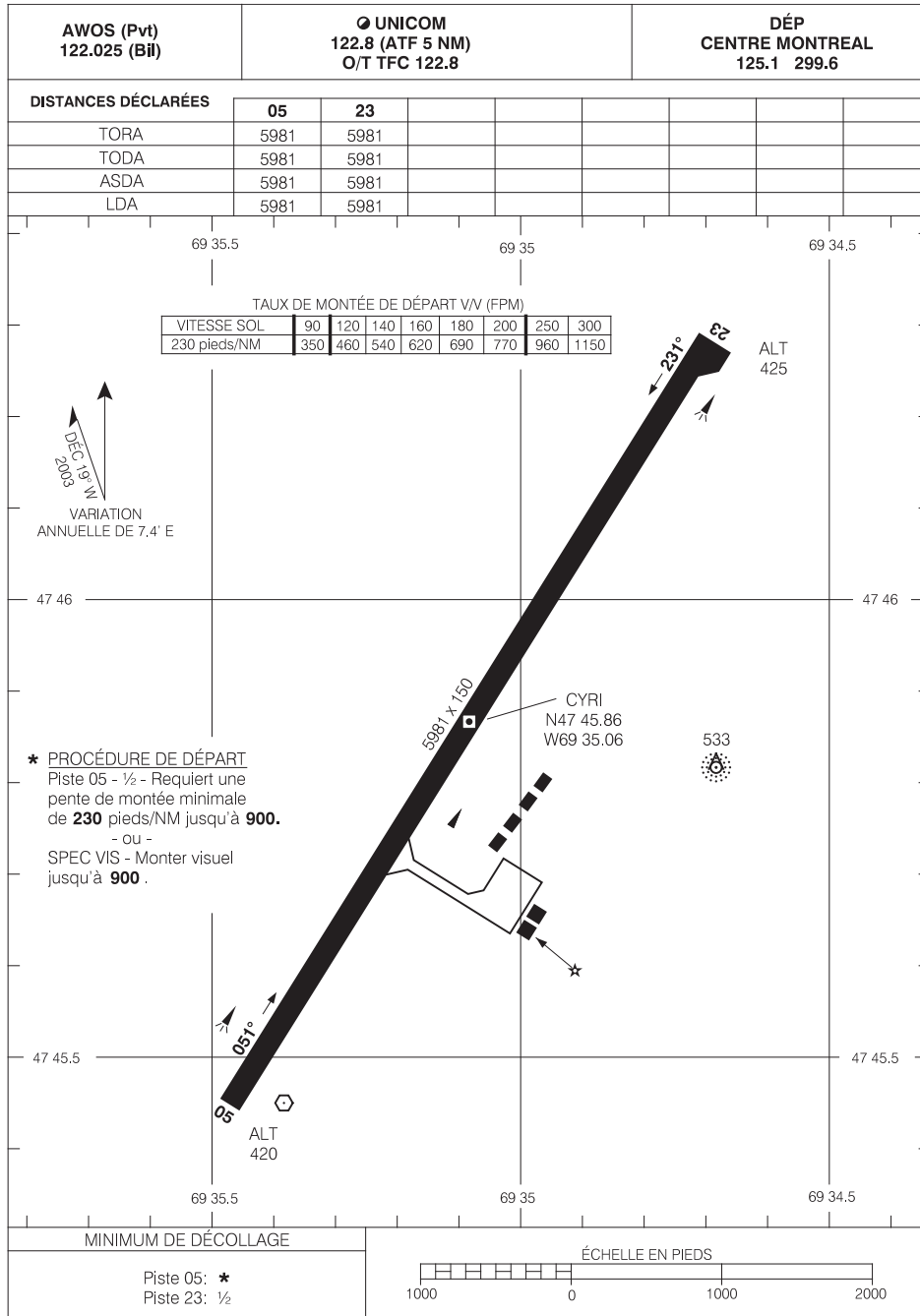
RIVIÈRE-DU-LOUP QC  
RIVIÈRE-DU-LOUP  
NAD83

EFF 22 OCT 09 CHANGE: AWOS



# CARTE D'AÉRODROME

RIVIÈRE-DU-LOUP  
RIVIÈRE-DU-LOUP QC



Source des données aéronautiques civiles pour le Canada. © 2010 NAV CANADA. Tous droits réservés.

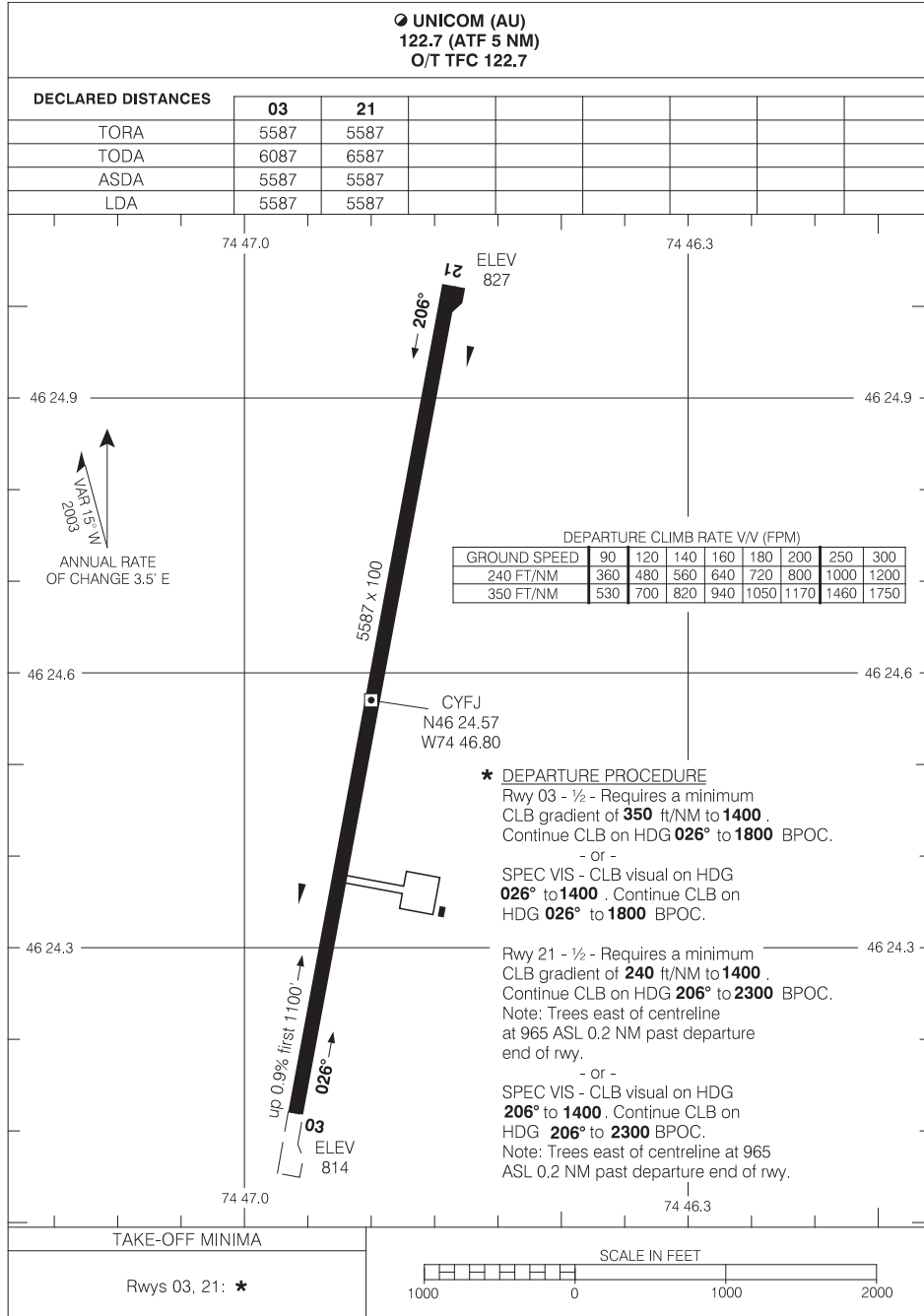
# CARTE D'AERODROME

RIVIÈRE-DU-LOUP QC  
RIVIÈRE-DU-LOUP  
NAD83

VAL 22 OCT 09      CHANGEMENT: AWOS

# AERODROME CHART

RIVIÈRE ROUGE/MONT-TREMBLANT INTL INC  
RIVIÈRE ROUGE QC



Source of Canadian Civil Aeronautical Data : © 2010 NAV CANADA All rights reserved

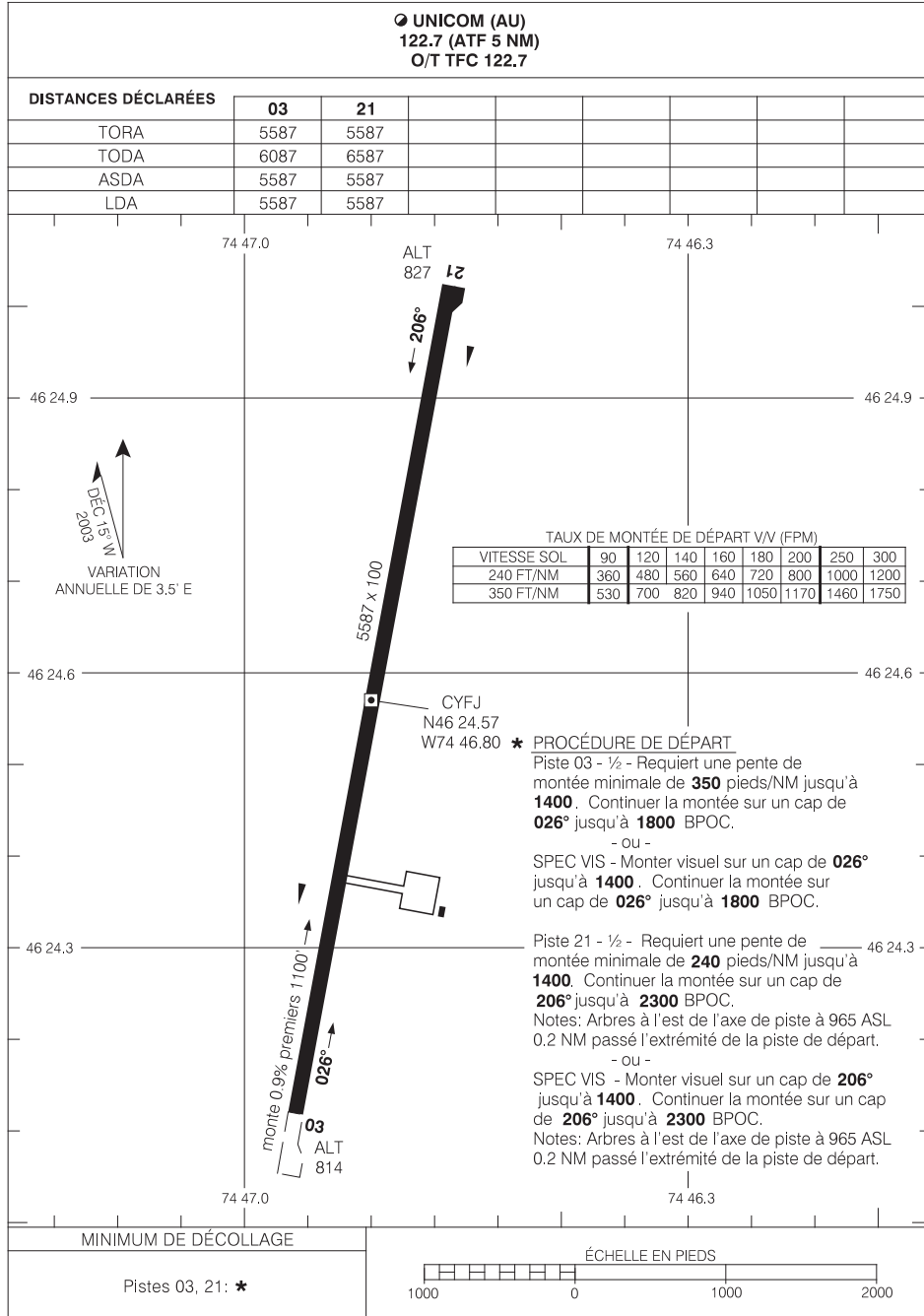
# AERODROME CHART

RIVIÈRE ROUGE QC  
RIVIÈRE ROUGE/MONT-TREMBLANT INTL INC  
NAD83

EFF 10 MAY 07 CHANGE: Editorial

# CARTE D'AÉRODROME

RIVIÈRE ROUGE/MONT-TREMBLANT INTL INC  
RIVIÈRE ROUGE QC



Source des données aéronautiques civiles pour le Canada © 2010 NAV CANADA Tous droits réservés

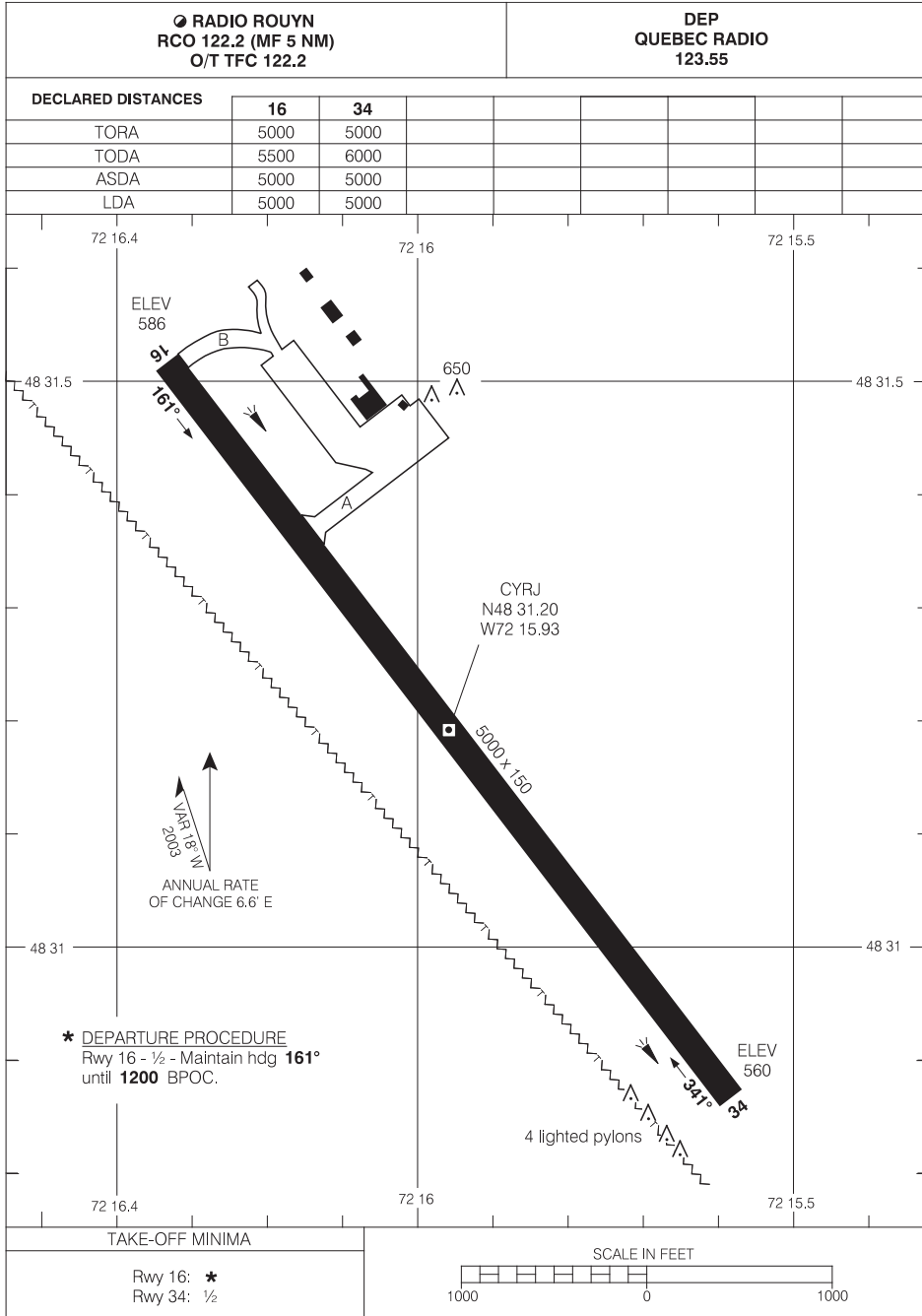
# CARTE D'AERODROME

RIVIÈRE ROUGE QC  
RIVIÈRE ROUGE/MONT-TREMBLANT INTL INC  
NAD83

VAL 10 MAI 07 CHANGEMENT: Éditorial

# AERODROME CHART

ROBERVAL  
ROBERVAL QC



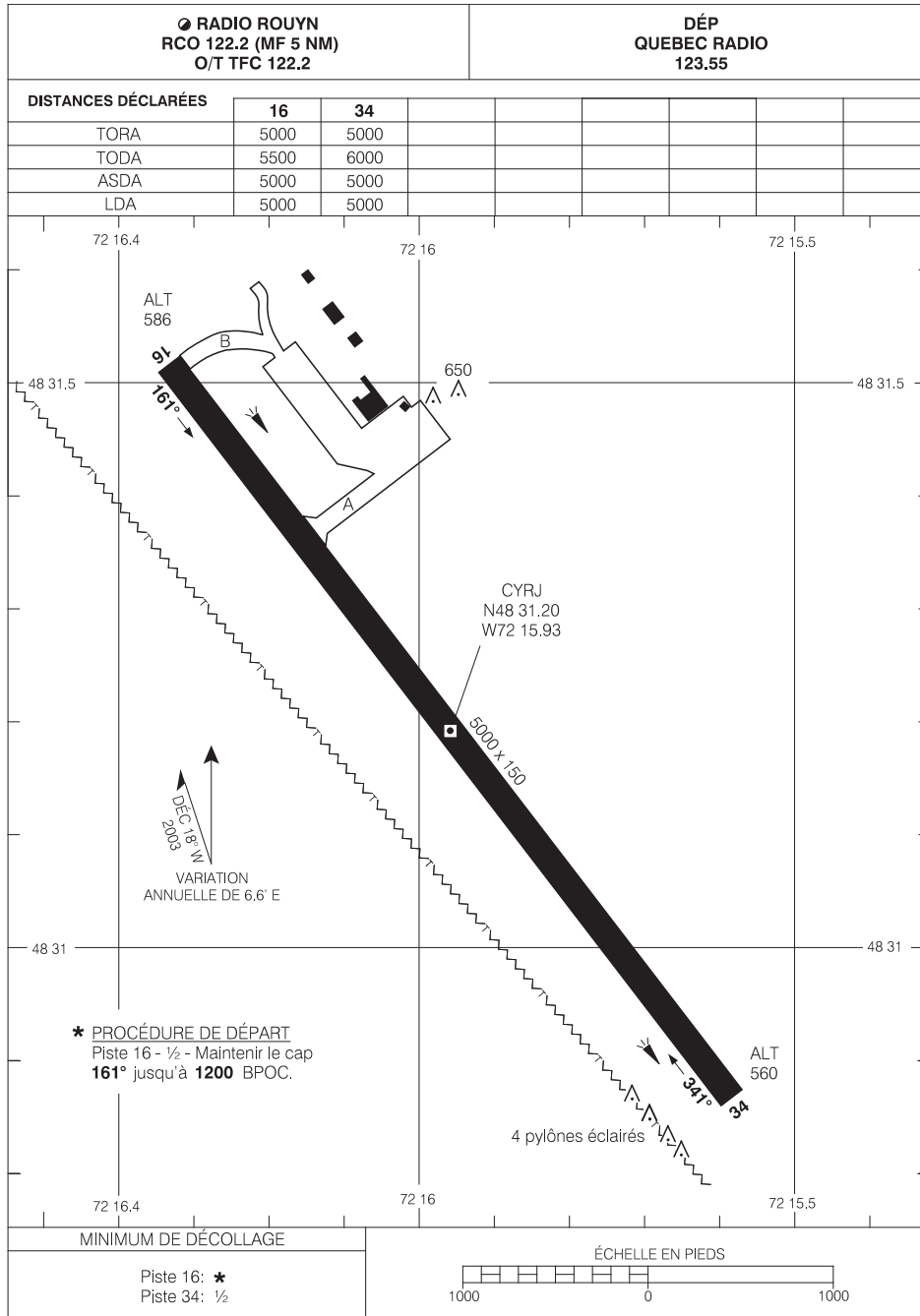
# AERODROME CHART

ROBERVAL QC  
ROBERVAL  
NAD83

EFF 15 MAR 07 CHANGE: FSS removed

# CARTE D'AÉRODROME

ROBERVAL  
ROBERVAL QC



**\* PROCÉDURE DE DÉPART**  
 Piste 16 - ½ - Maintenir le cap  
**161°** jusqu'à **1200** BPOC.

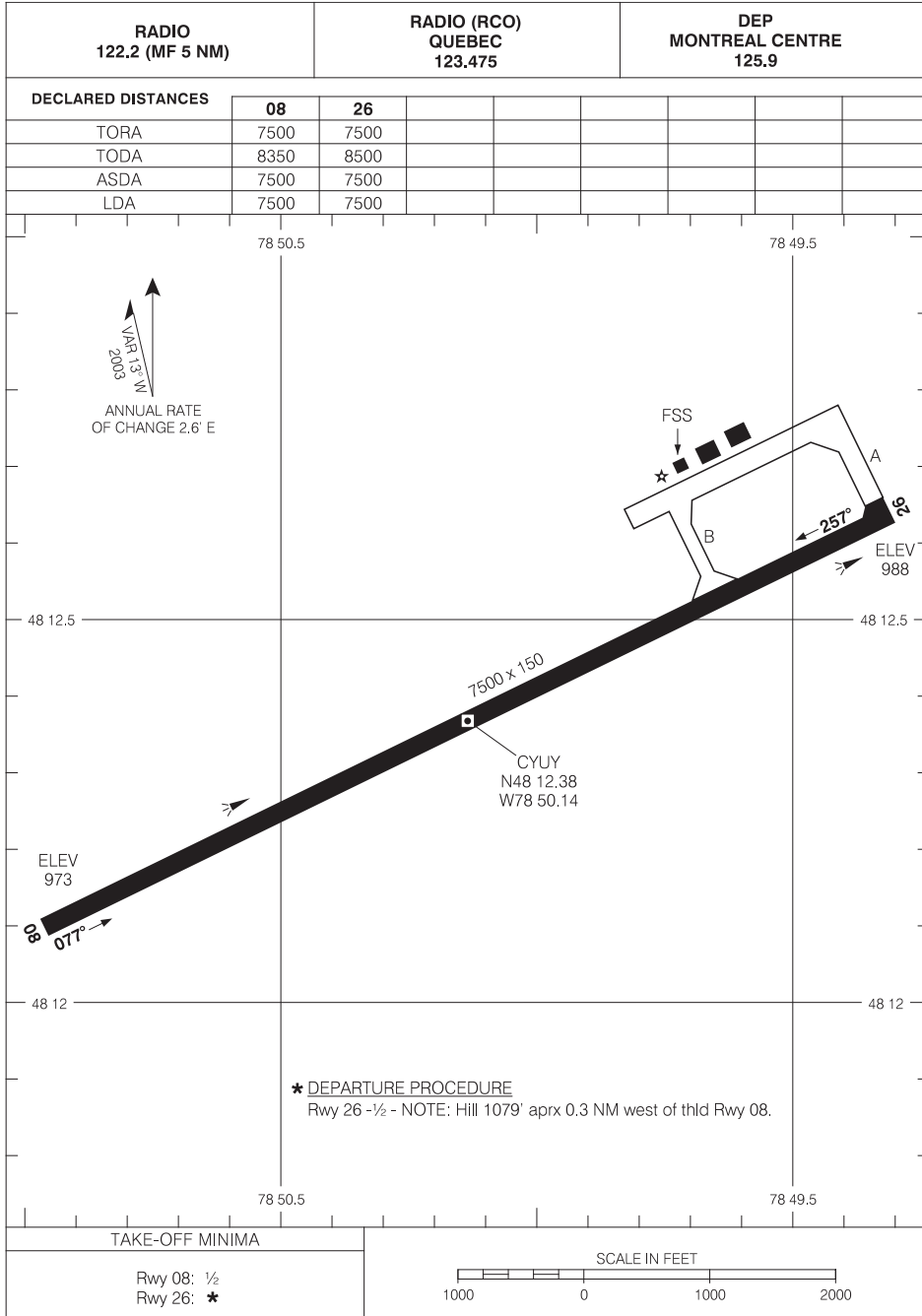
# CARTE D'AERODROME

ROBERVAL QC  
ROBERVAL  
NAD83

VAL 15 MARS 07    CHANGEMENT: FSS supprimée

# AERODROME CHART

ROUYN-NORANDA  
ROUYN QC



Source of Canadian Civil Aeronautical Data : © 2010 NAV CANADA All rights reserved

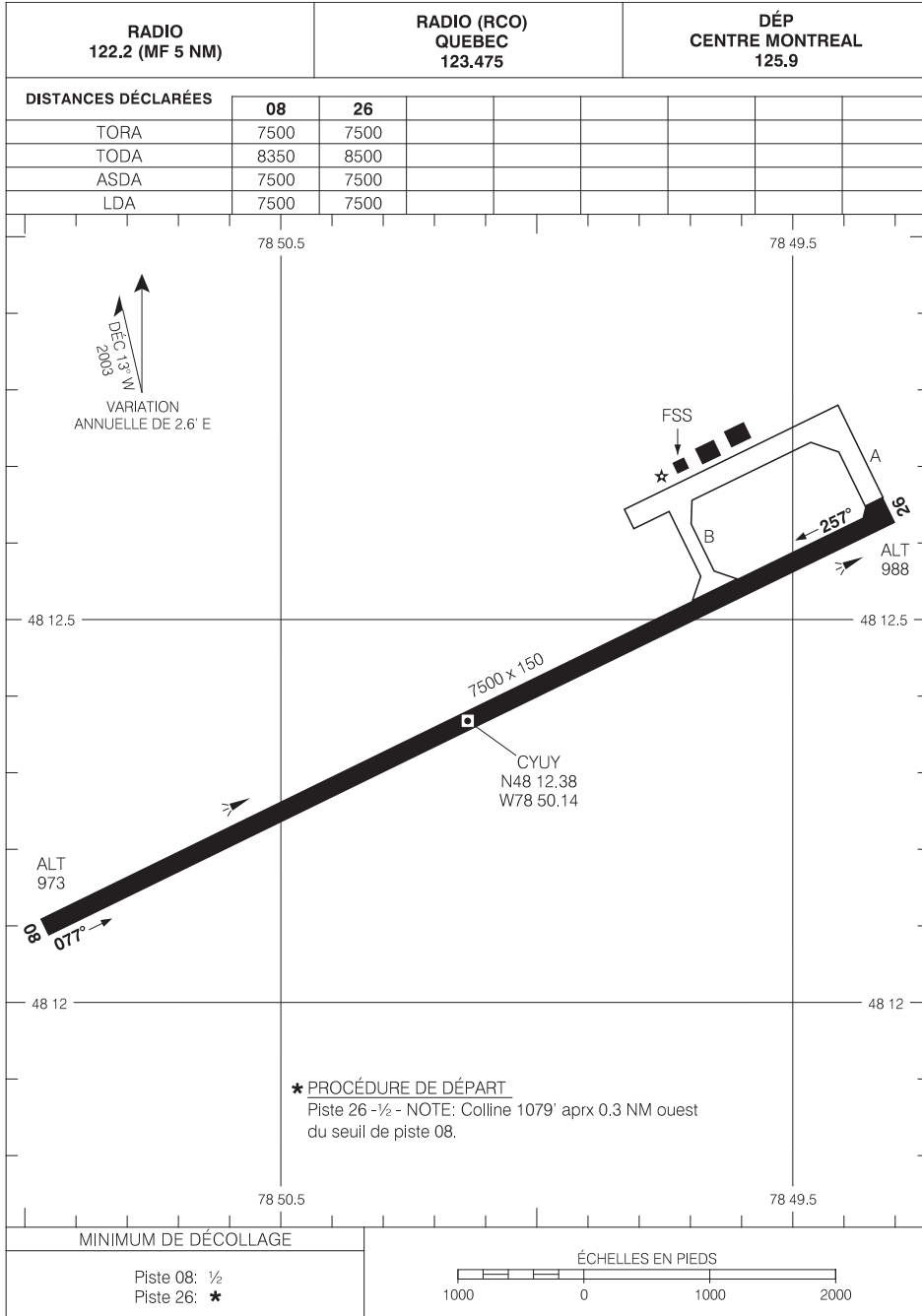
# AERODROME CHART

ROUYN QC  
ROUYN-NORANDA  
NAD83

EFF 5 JUL 07 CHANGE: RCO freq

# CARTE D'AÉRODROME

ROUYN-NORANDA  
ROUYN QC



Source des données aéronautiques civiles pour le Canada: © 2010 NAV CANADA Tous droits réservés

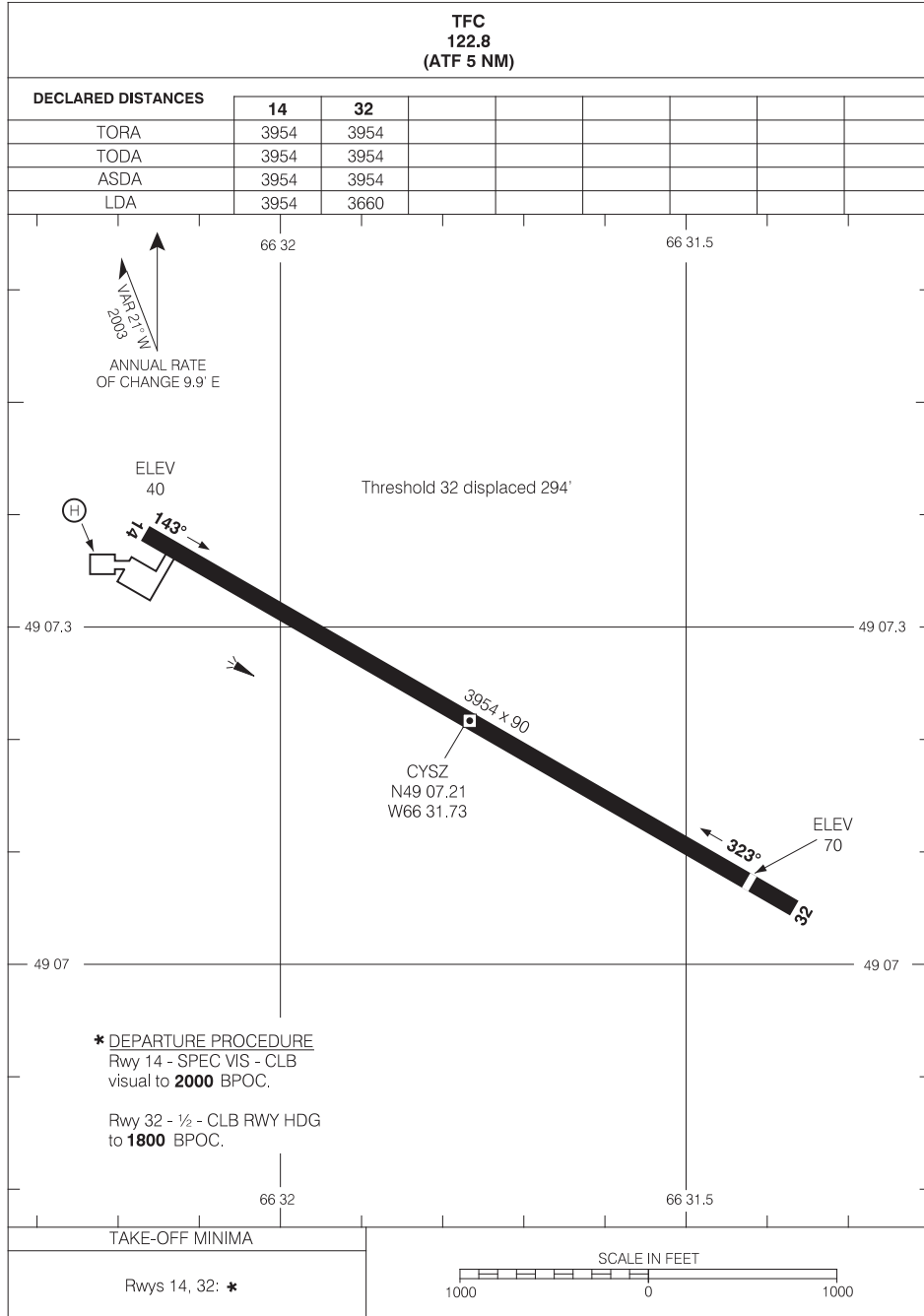
# CARTE D'AERODROME

ROUYN QC  
ROUYN-NORANDA  
NAD83

VAL 5 JUIL 07      CHANGEMENT: Fréq RCO

# AERODROME CHART

STE-ANNE-DES-MONTS  
STE-ANNE-DES-MONTS QC



# AERODROME CHART

STE-ANNE-DES-MONTS QC  
STE-ANNE-DES-MONTS  
NAD83

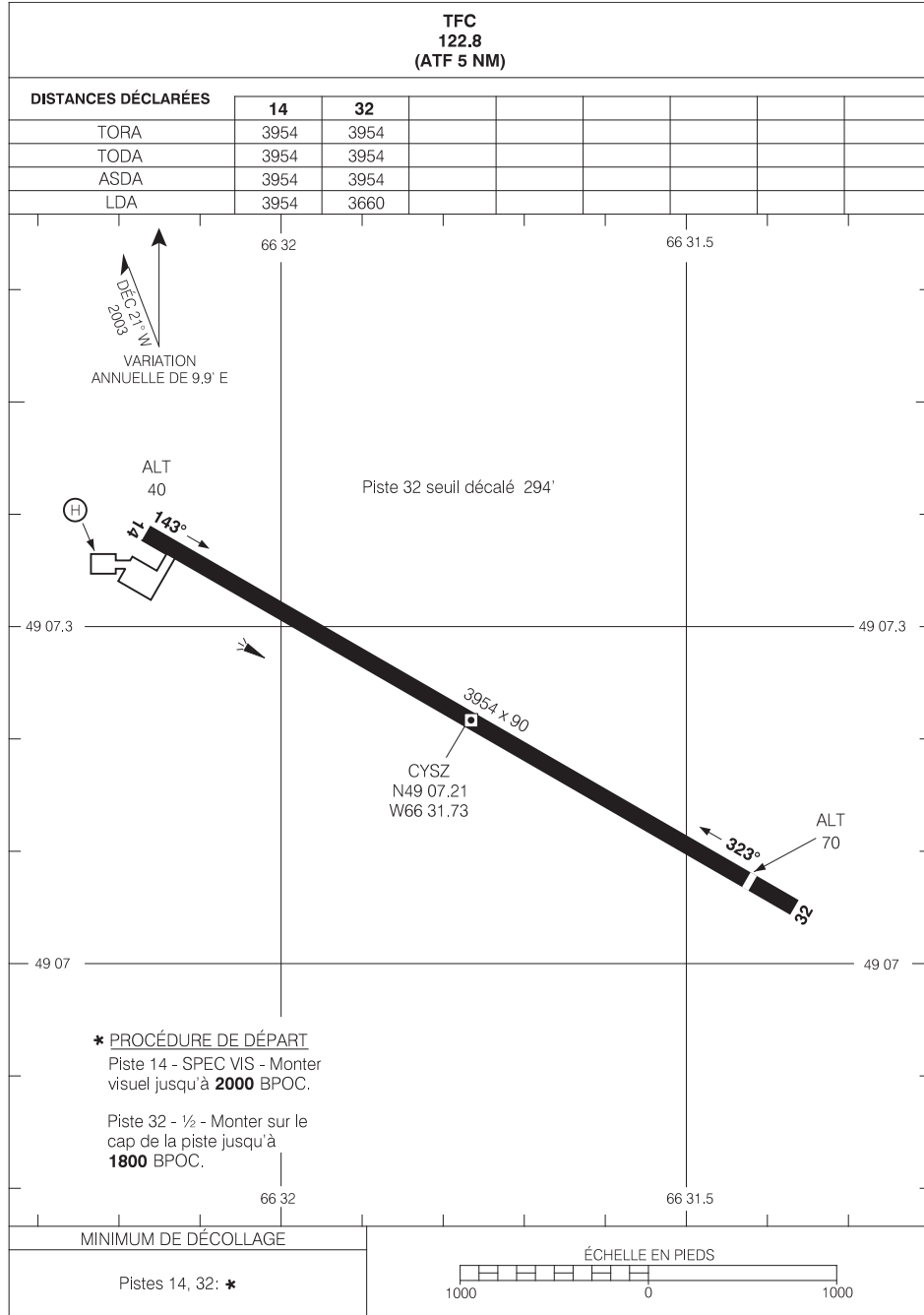
EFF 31 JUL 08

CHANGE: Revised



# CARTE D'AÉRODROME

STE-ANNE-DES-MONTS  
STE-ANNE-DES-MONTS QC



Source des données aéronautiques civiles pour le Canada © 2010 NAV CANADA Tous droits réservés

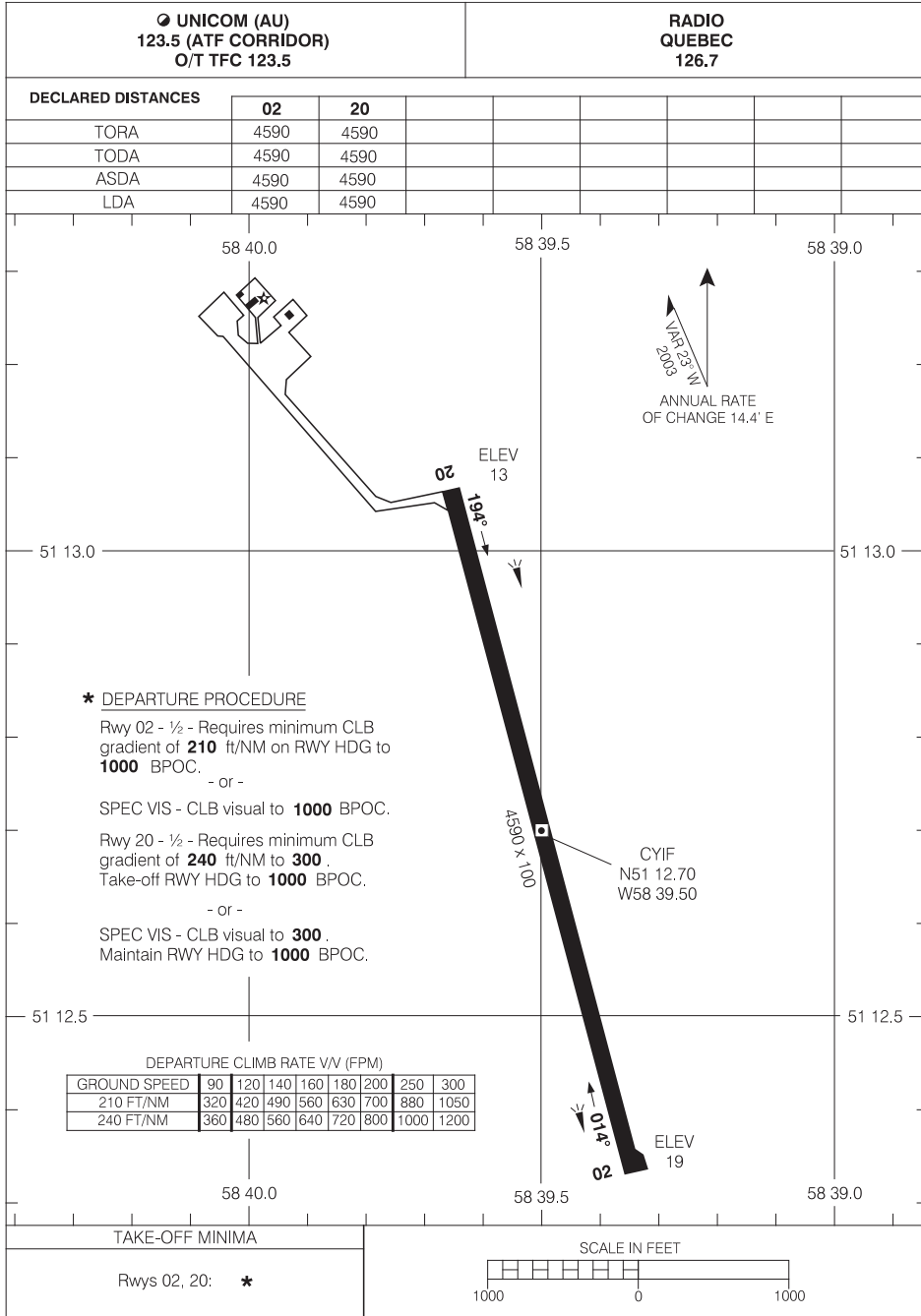
# CARTE D'AERODROME

STE-ANNE-DES-MONTS QC  
STE-ANNE-DES-MONTS  
NAD83

VAL 31 JUIL 08      CHANGEMENT: Révisée

# AERODROME CHART

ST-AUGUSTIN  
ST-AUGUSTIN QC



Source of Canadian Civil Aeronautical Data : © 2010 NAV CANADA All rights reserved

# AERODROME CHART

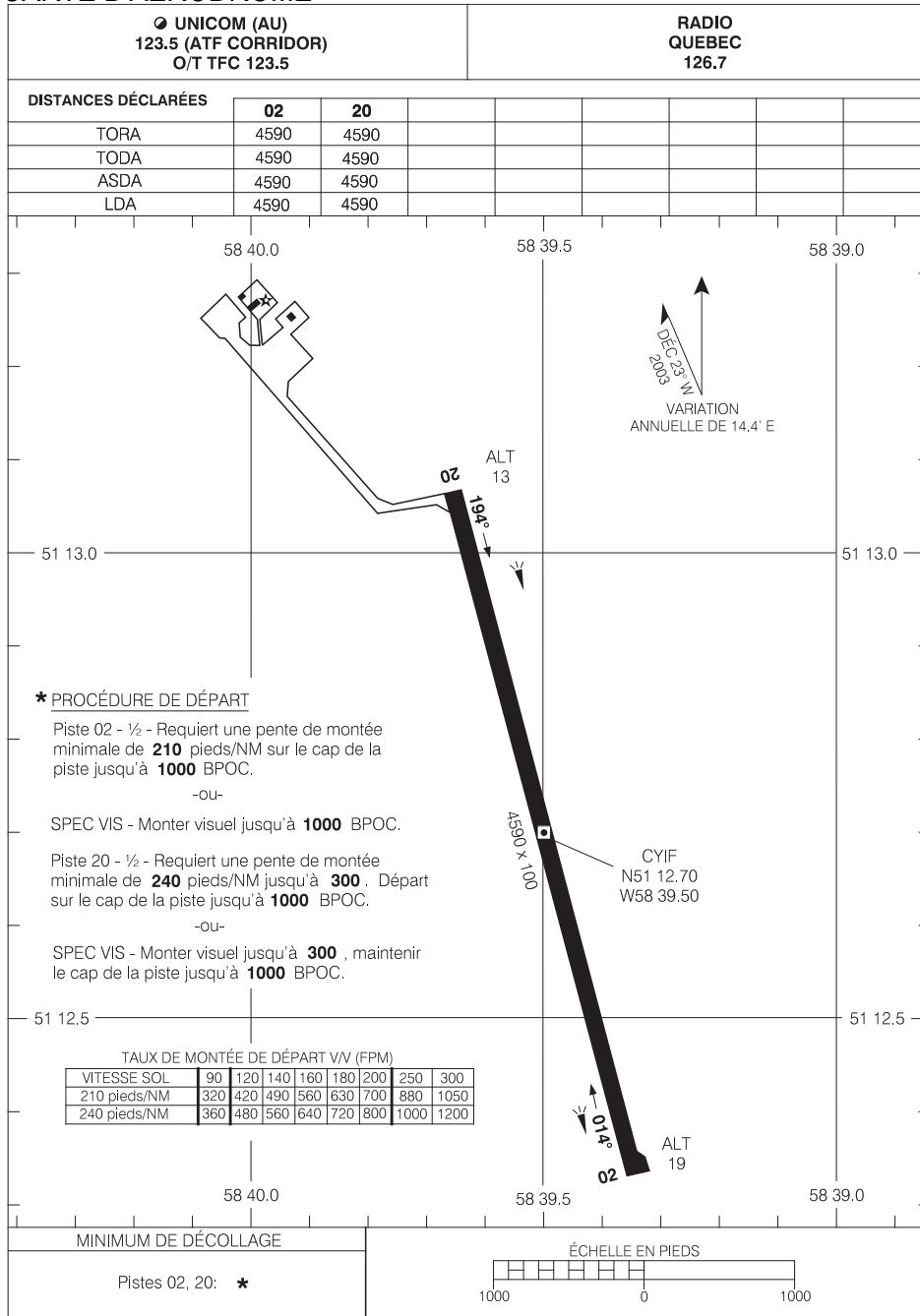
ST-AUGUSTIN QC  
ST-AUGUSTIN  
NAD83

EFF 8 JUN 06

CHANGE: Editorial

# CARTE D'AÉRODROME

ST-AUGUSTIN  
ST-AUGUSTIN QC



**\* PROCÉDURE DE DÉPART**

Piste 02 - ½ - Requier une pente de montée minimale de **210** pieds/NM sur le cap de la piste jusqu'à **1000** BPOC.

-ou-

SPEC VIS - Monter visuel jusqu'à **1000** BPOC.

Piste 20 - ½ - Requier une pente de montée minimale de **240** pieds/NM jusqu'à **300**. Départ sur le cap de la piste jusqu'à **1000** BPOC.

-ou-

SPEC VIS - Monter visuel jusqu'à **300**, maintenir le cap de la piste jusqu'à **1000** BPOC.

TAUX DE MONTÉE DE DÉPART V/V (FPM)

VITESSE SOL	90	120	140	160	180	200	250	300
210 pieds/NM	320	420	490	560	630	700	880	1050
240 pieds/NM	360	480	560	640	720	800	1000	1200

MINIMUM DE DÉCOLLAGE

Pistes 02, 20: \*

ÉCHELLE EN PIEDS



# CARTE D'AERODROME

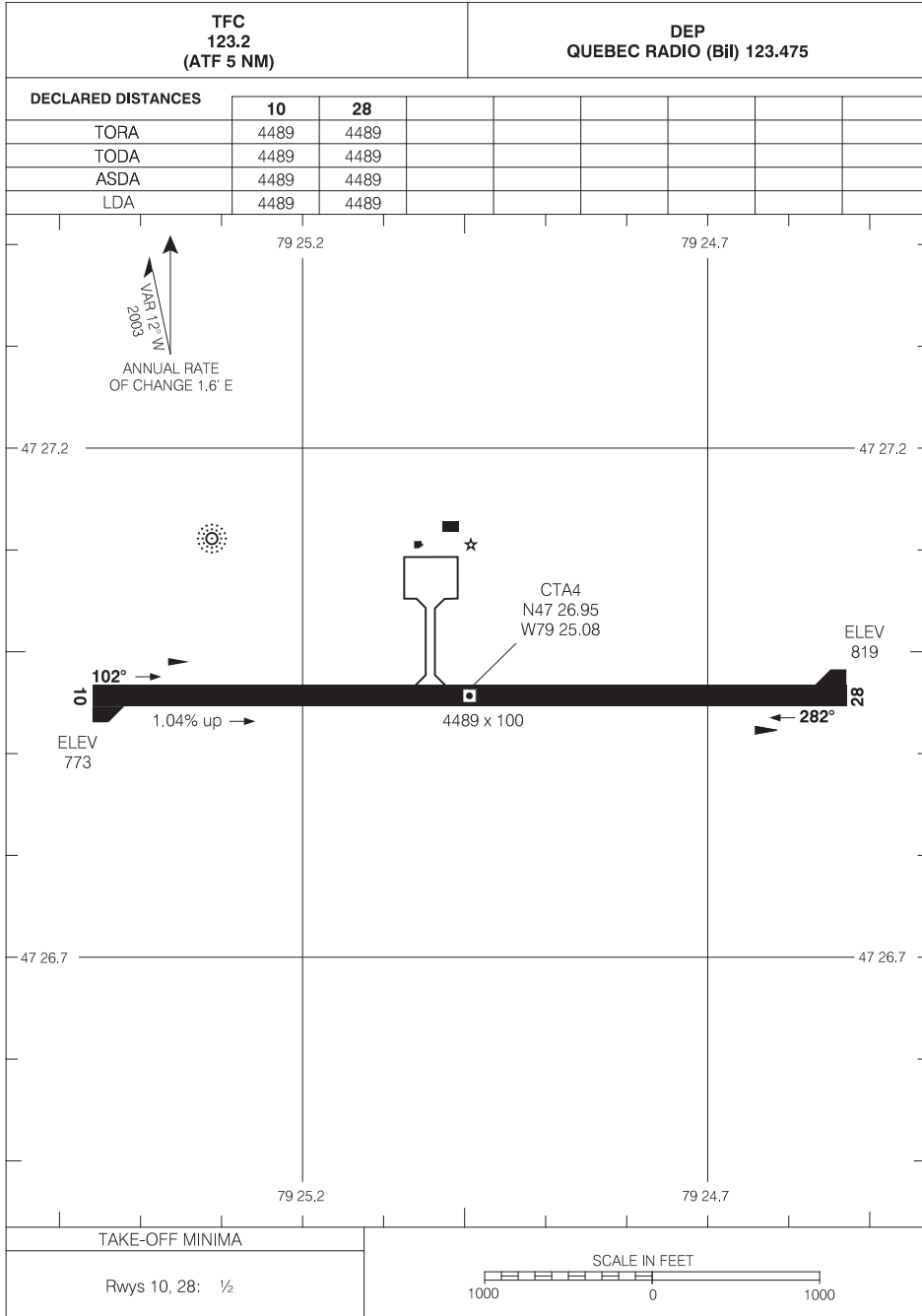
ST-AUGUSTIN QC  
ST-AUGUSTIN  
NAD83

VAL 8 JUIN 06

CHANGEMENT: Éditorial

# AERODROME CHART

ST-BRUNO-DE-GUIGUES  
ST-BRUNO-DE-GUIGUES QC



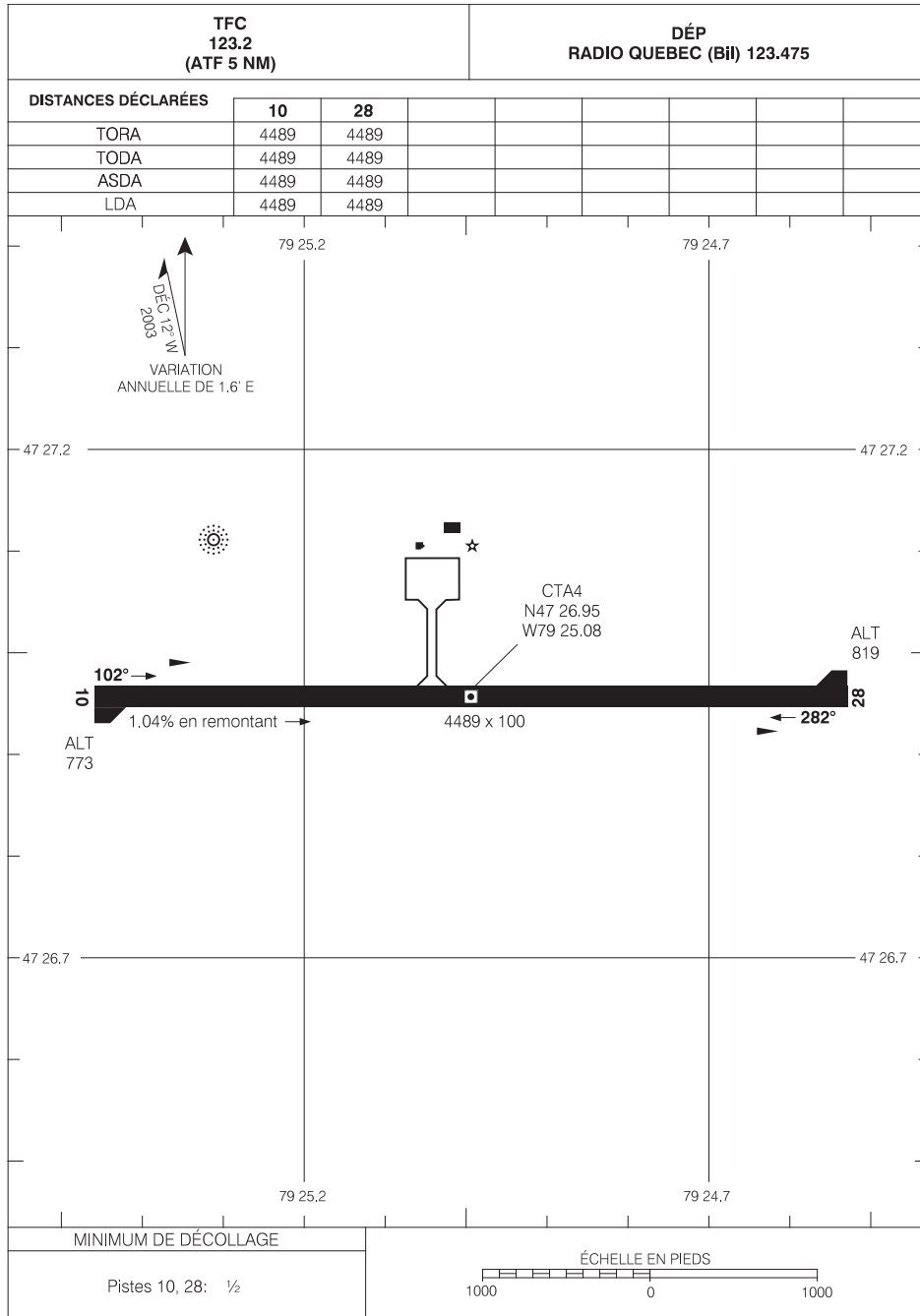
# AERODROME CHART

ST-BRUNO-DE-GUIGUES QC  
ST-BRUNO-DE-GUIGUES  
NAD83

EFF 15 JAN 09 CHANGE: Comm

# CARTE D'AÉRODROME

ST-BRUNO-DE-GUIGUES  
ST-BRUNO-DE-GUIGUES QC



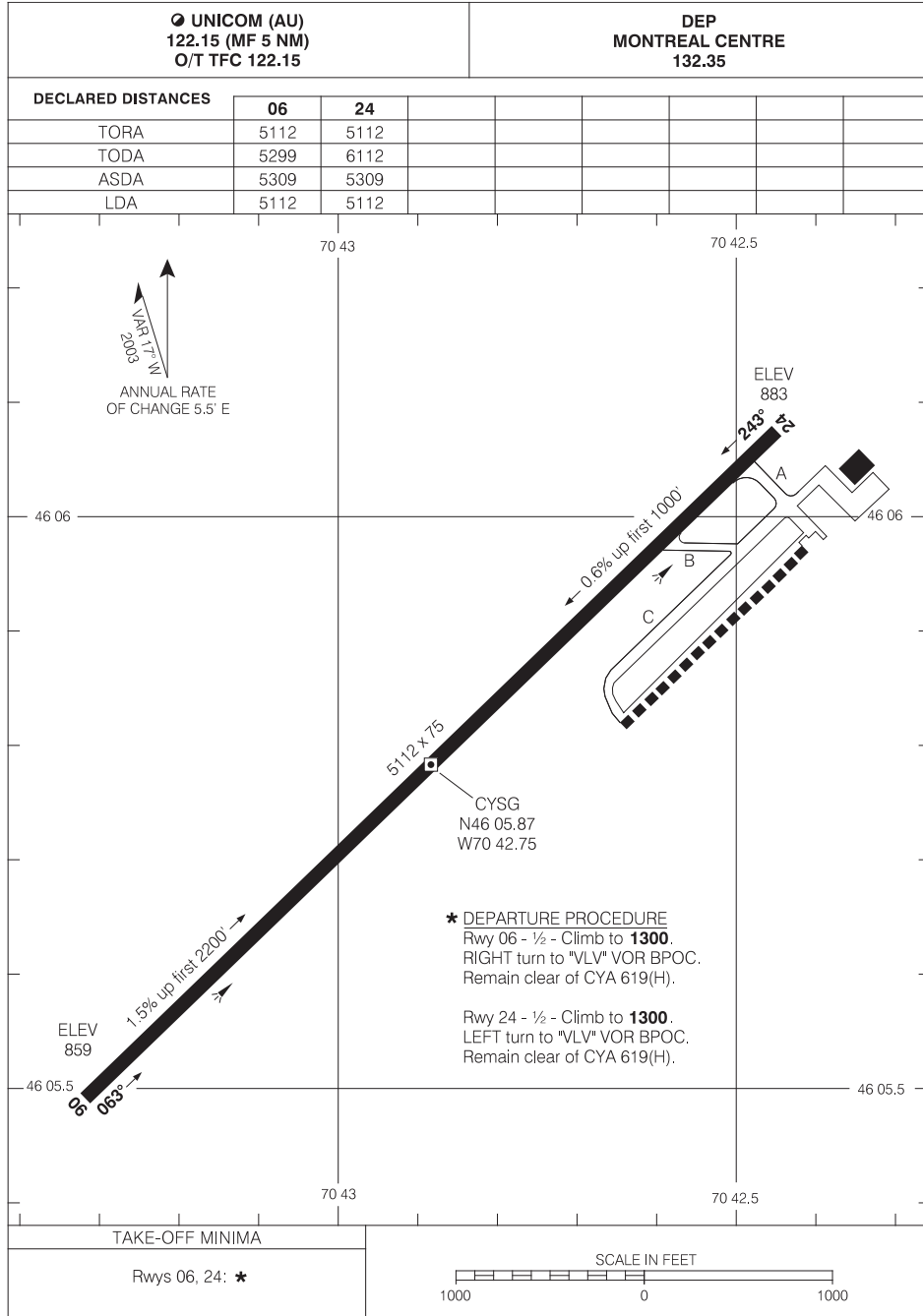
# CARTE D'AERODROME

ST-BRUNO-DE-GUIGUES QC  
ST-BRUNO-DE-GUIGUES  
NAD83

VAL 15 JAN 09      CHANGEMENT: Comm

# AERODROME CHART

ST-GEORGES  
ST-GEORGES QC



Source of Canadian Civil Aeronautical Data : © 2010 NAV CANADA All rights reserved

# AERODROME CHART

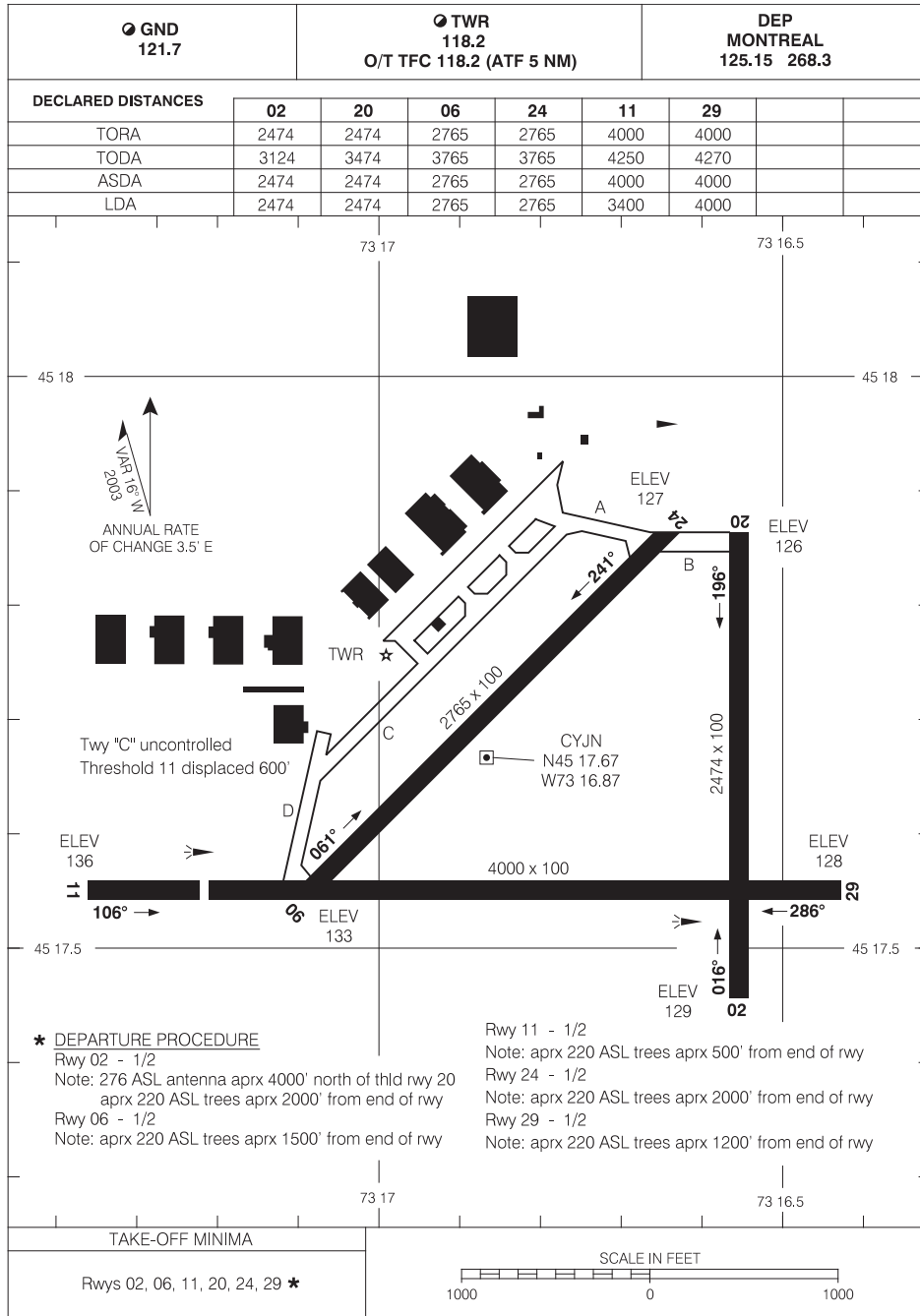
ST-GEORGES QC  
ST-GEORGES  
NAD83

EFF 7 MAY 09 CHANGE: Declared distances, Rwy length



# AERODROME CHART

ST-JEAN  
ST-JEAN QC



Source of Canadian Civil Aeronautical Data : © 2010 NAV CANADA All rights reserved

# AERODROME CHART

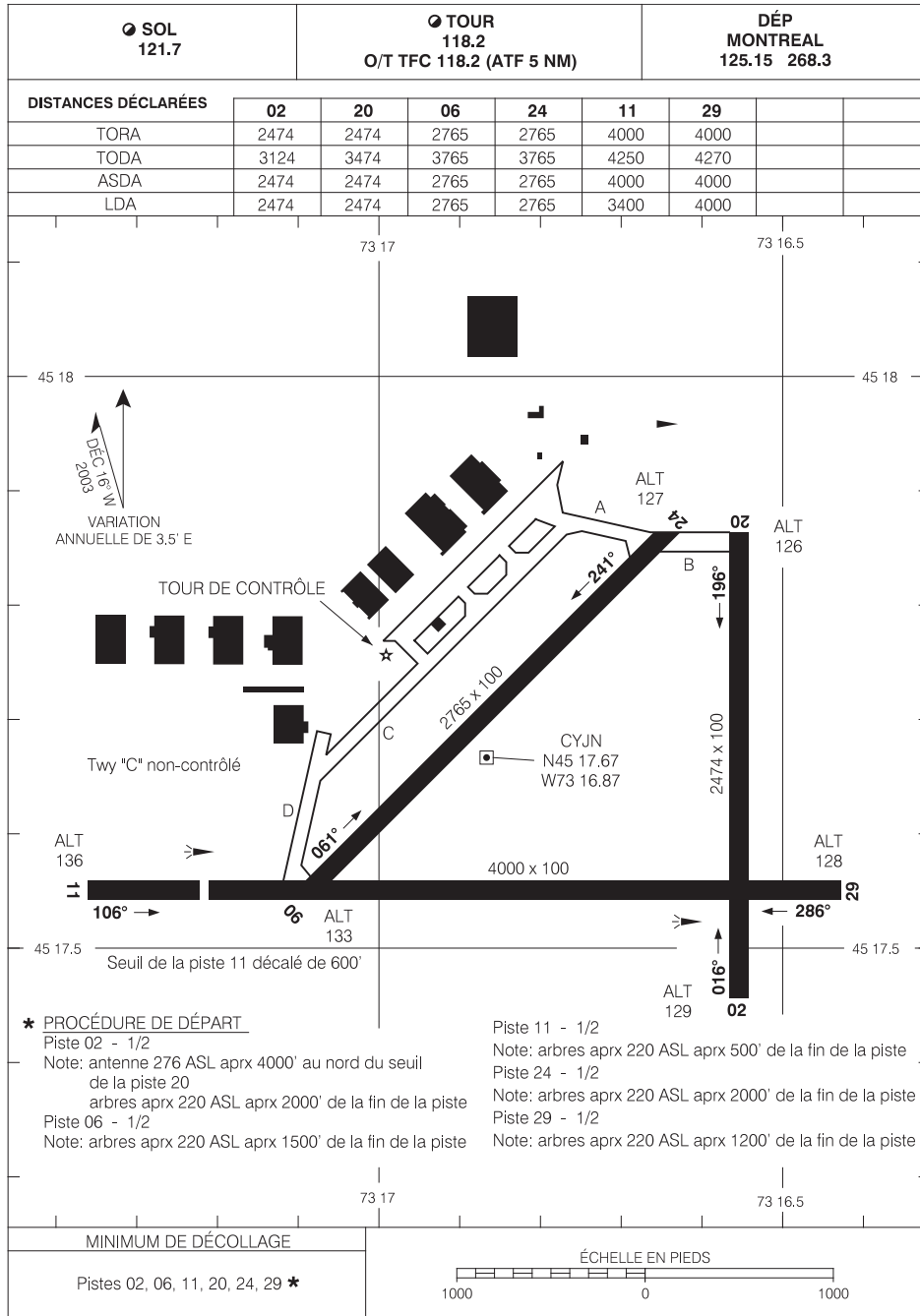
ST-JEAN QC  
ST-JEAN  
NAD83

EFF 27 AUG 09 CHANGE: COMM



# CARTE D'AÉRODROME

ST-JEAN  
ST-JEAN QC



# CARTE D'AERODROME

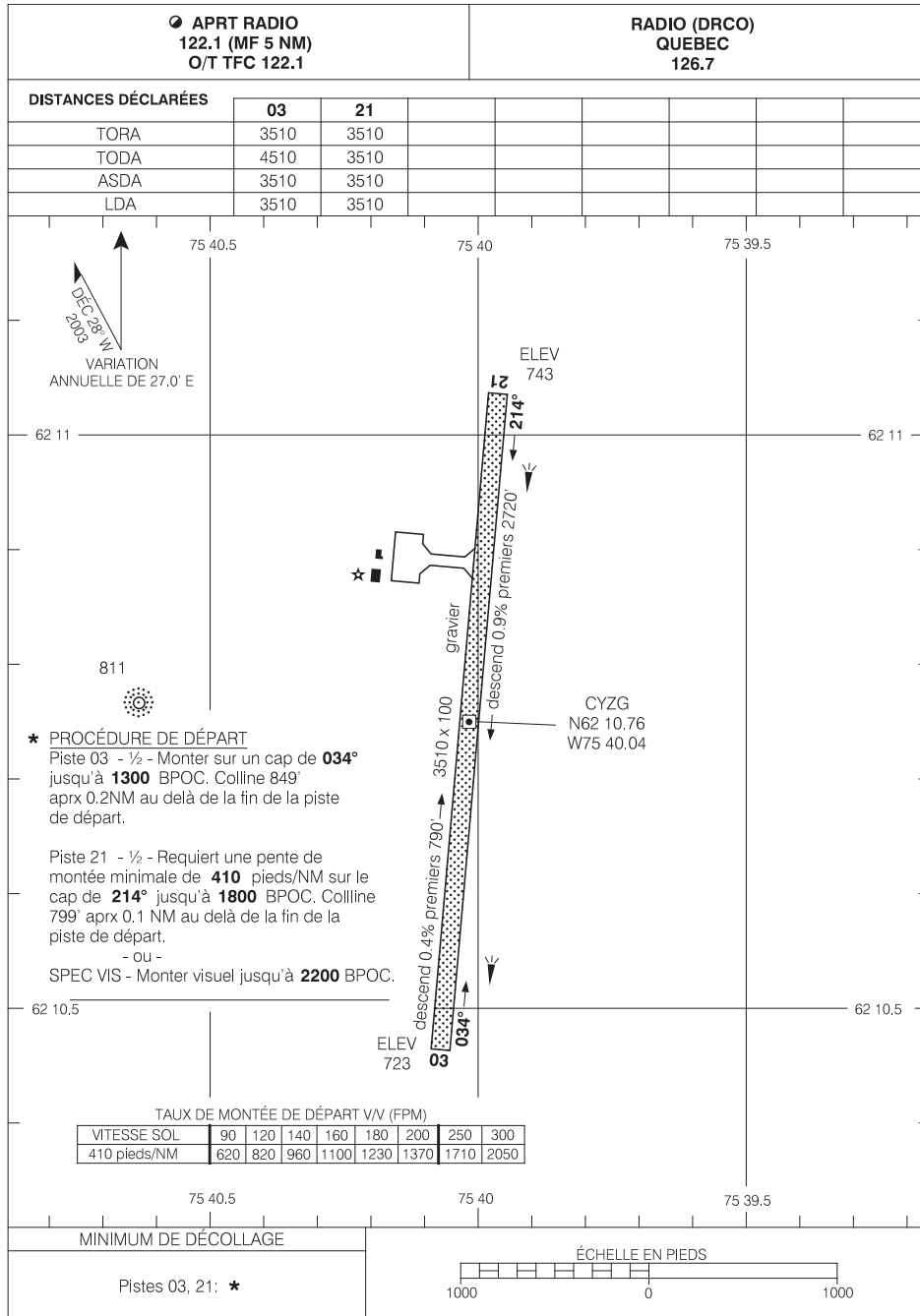
ST-JEAN QC  
ST-JEAN  
NAD83

VAL 27 AOÛT 09    CHANGEMENT: COMM



# CARTE D'AÉRODROME

SALLUIT  
SALLUIT QC



Source des données aéronautiques civiles pour le Canada: © 2010 NAV CANADA Tous droits réservés

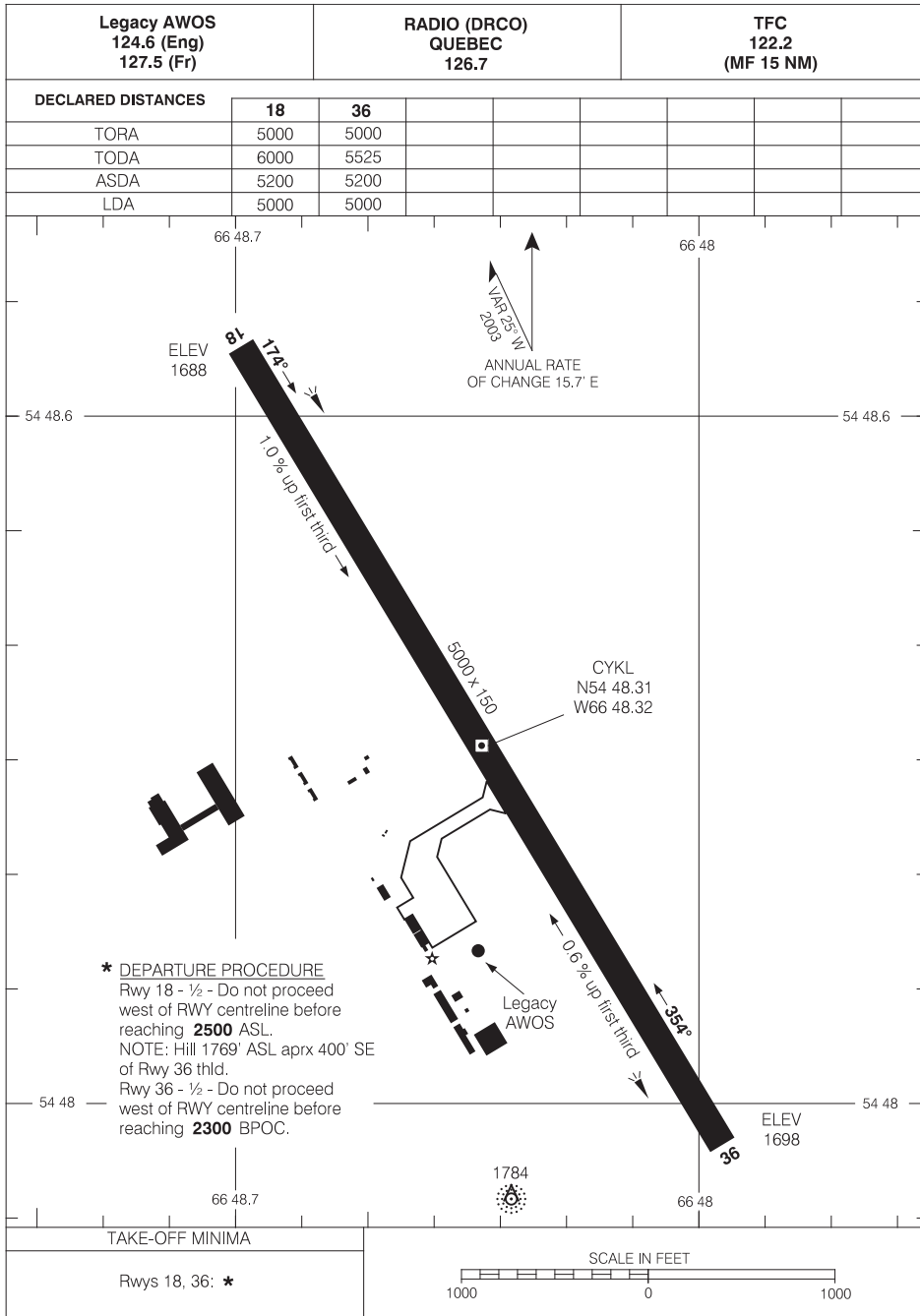
# CARTE D'AERODROME

SALLUIT QC  
SALLUIT  
NAD83

VAL 28 SEP 06      CHANGEMENT: Révisée

# AERODROME CHART

SCHEFFERVILLE  
SCHEFFERVILLE QC



**\* DEPARTURE PROCEDURE**  
 Rwy 18 - 1/2 - Do not proceed west of RWY centreline before reaching **2500** ASL.  
 NOTE: Hill 1769' ASL aprx 400' SE of Rwy 36 thld.  
 Rwy 36 - 1/2 - Do not proceed west of RWY centreline before reaching **2300** BPOC.

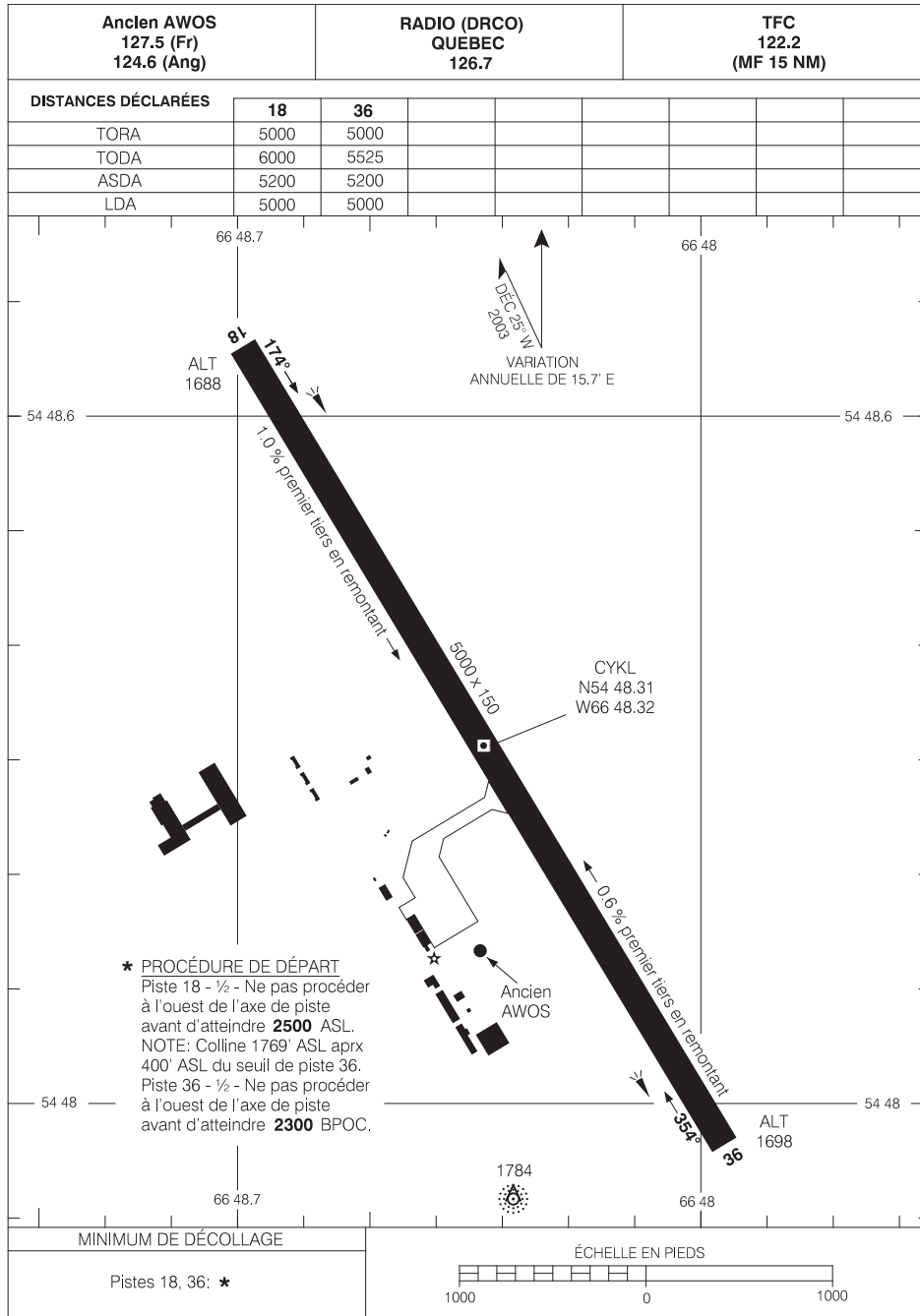
# AERODROME CHART

SCHEFFERVILLE QC  
SCHEFFERVILLE  
NAD83

EFF 20 NOV 08 CHANGE: AWOS

# CARTE D'AÉRODROME

SCHEFFERVILLE  
SCHEFFERVILLE QC



Source des données aéronautiques civiles pour le Canada: © 2010 NAV CANADA Tous droits réservés

# CARTE D'AERODROME

SCHEFFERVILLE QC  
SCHEFFERVILLE

VAL 20 NOV 08      CHANGEMENT: AWOS

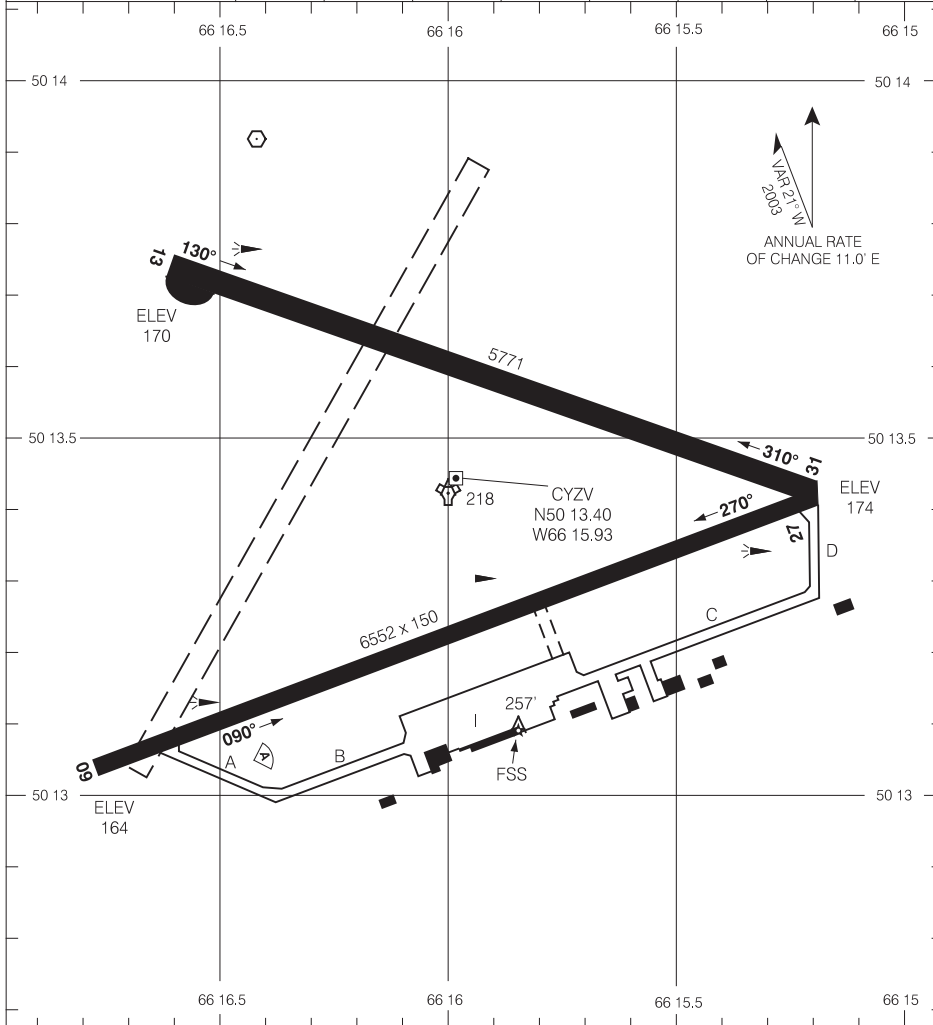
NAD83

# AERODROME CHART

SEPT-ÎLES  
SEPT-ÎLES QC

● ATIS 124.8 (Eng) 134.9 (Fr)	RADIO 118.1 (MF 5 NM)	CLNC DEL AS REQUEST 119.45	DEP MONTREAL CENTRE 135.55 381.9
-------------------------------------	--------------------------	----------------------------------	--

DECLARED DISTANCES	09	27	13	31
TORA	6552	6552	5771	5771
TODA	7552	7552	6771	6771
ASDA	6652	6752	5871	5771
LDA	6552	6552	5771	5771



Source of Canadian Civil Aeronautical Data : © 2010 NAV CANADA All rights reserved

TAKE-OFF MINIMA	SCALE IN FEET
All Rwys: ½	1000 0 1000 2000

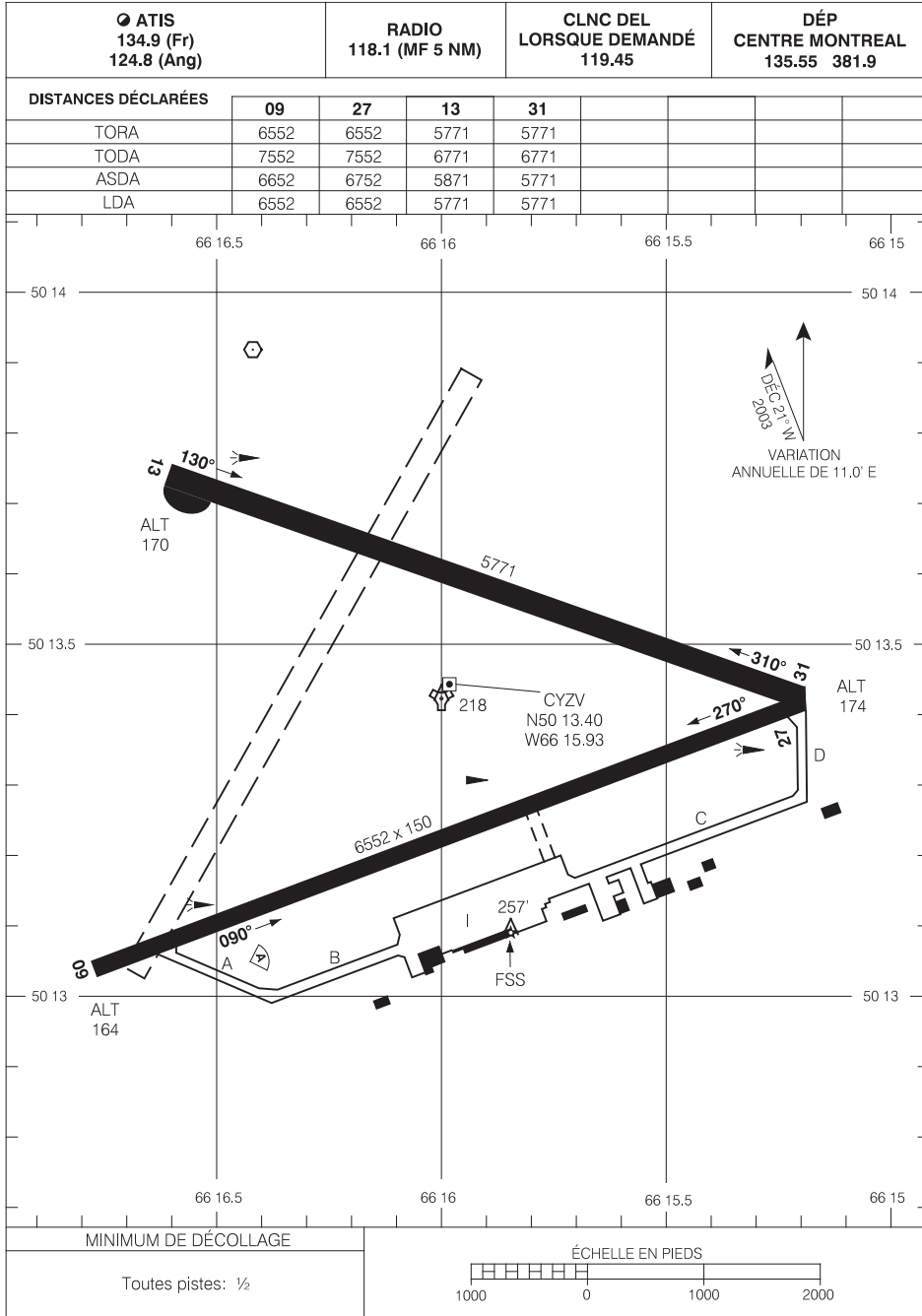
# AERODROME CHART

SEPT-ÎLES QC  
SEPT-ÎLES  
NAD83

EFF 27 AUG 09 CHANGE: VOT deleted

# CARTE D'AÉRODROME

SEPT-ÎLES  
SEPT-ÎLES QC



Source des données aéronautiques civiles pour le Canada. © 2010 NAV CANADA. Tous droits réservés.

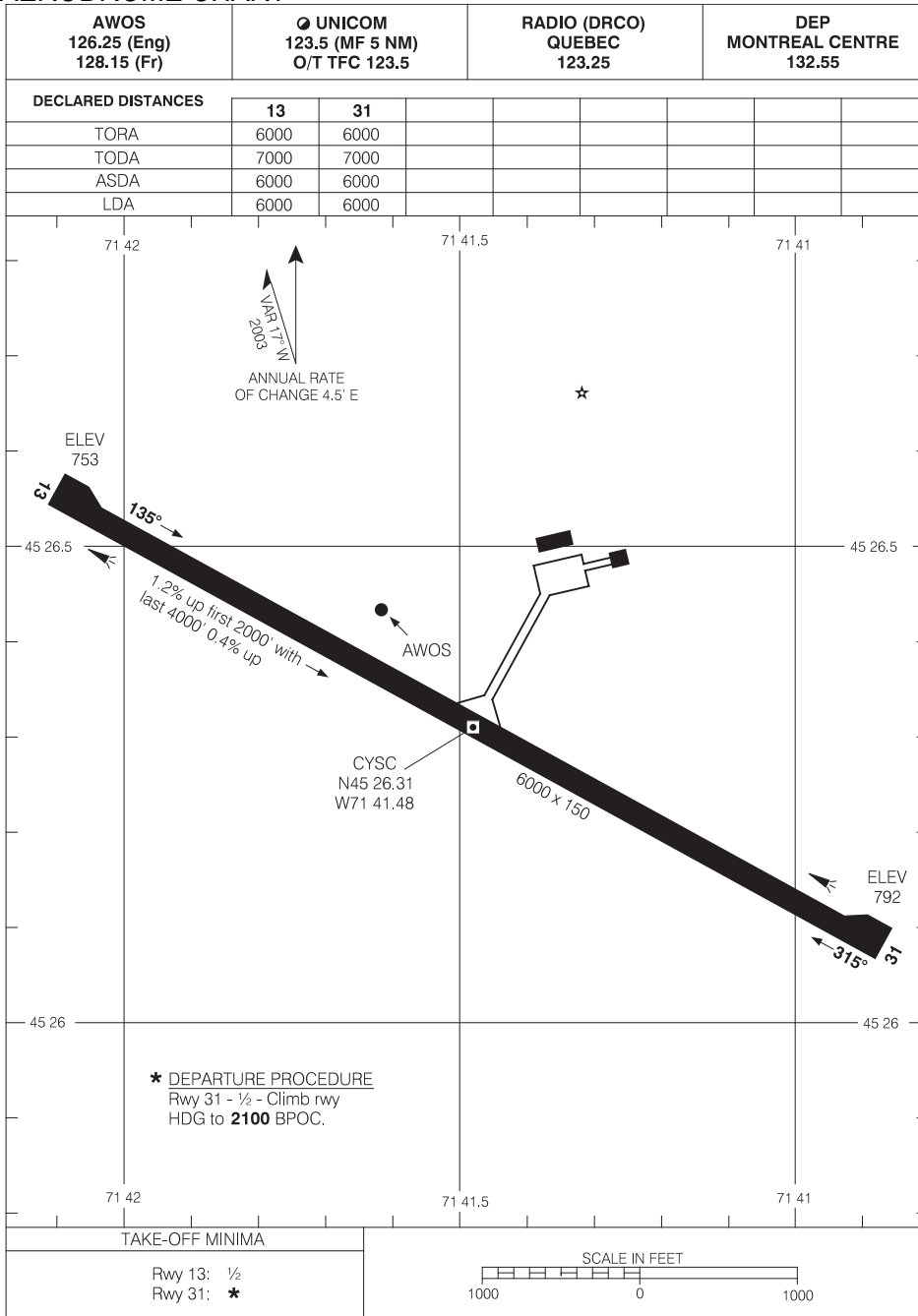
# CARTE D'AERODROME

SEPT-ÎLES QC  
SEPT-ÎLES  
NAD83

VAL 18 JAN 07      CHANGEMENT: Unité de comm

# AERODROME CHART

SHERBROOKE  
SHERBROOKE QC



# AERODROME CHART

SHERBROOKE QC  
SHERBROOKE  
NAD83

EFF 22 OCT 09 CHANGE: AWOS

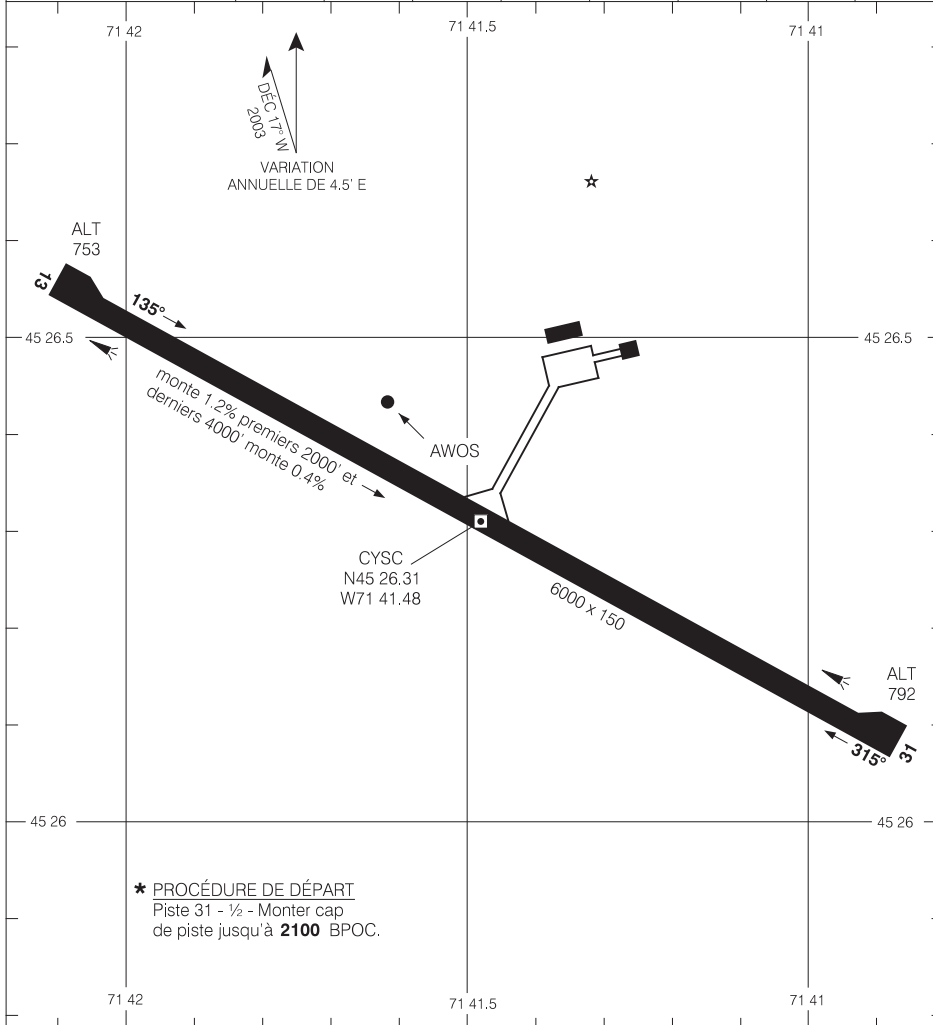


# CARTE D'AÉRODROME

SHERBROOKE  
SHERBROOKE QC

<b>AWOS</b> 128.15 (Fr) 126.25 (Ang)	<b>UNICOM</b> 123.5 (MF 5 NM) O/T TFC 123.5	<b>RADIO (DRCO)</b> QUEBEC 123.25	<b>DÉP</b> CENTRE MONTREAL 132.55
--	---	---	---

DISTANCES DÉCLARÉES										
	13	31								
TORA	6000	6000								
TODA	7000	7000								
ASDA	6000	6000								
LDA	6000	6000								



Source des données aéronautiques civiles pour le Canada: © 2010 NAV CANADA Tous droits réservés

MINIMUM DE DÉCOLLAGE	ÉCHELLE EN PIEDS
Piste 13: ½ Piste 31: ★	1000 0 1000

# CARTE D'AERODROME

SHERBROOKE QC  
SHERBROOKE  
NAD83

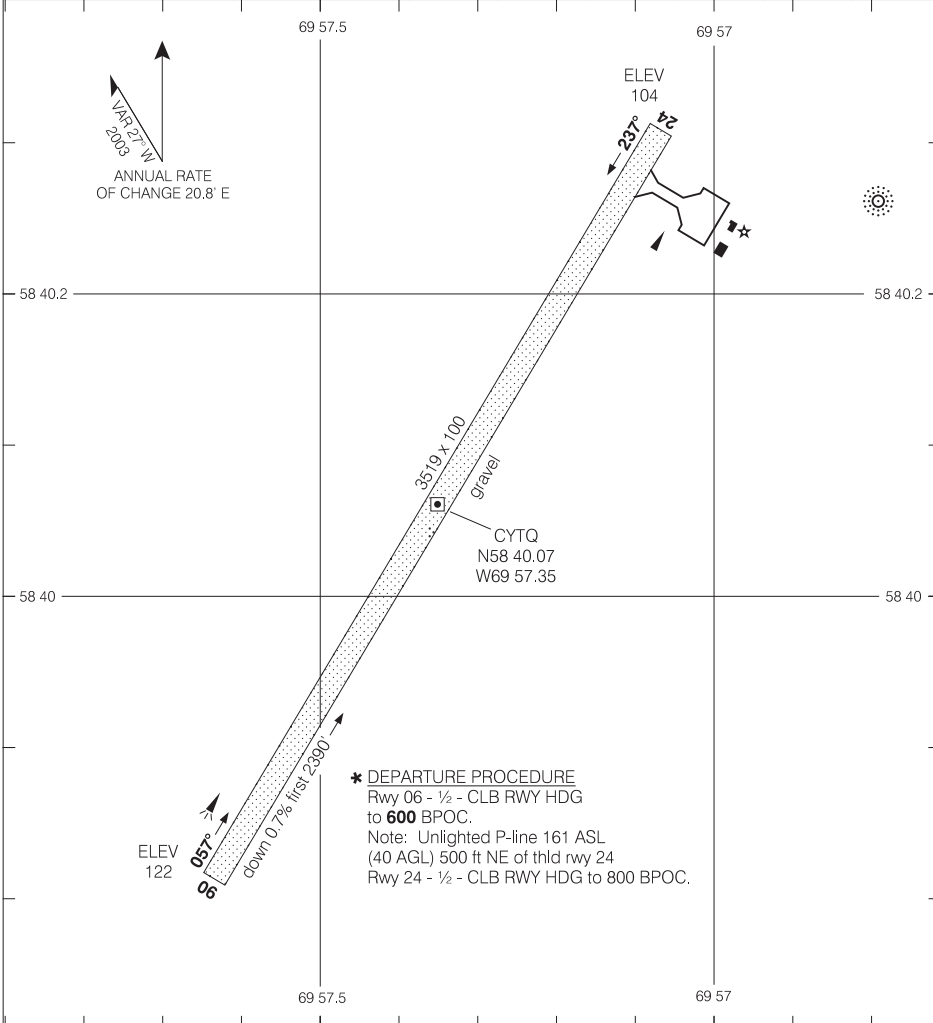
VAL 22 OCT 09      CHANGEMENT: AWOS

# AERODROME CHART

TASIUJQAQ  
TASIUJQAQ QC

APRT RADIO  
122.1 (MF 5 NM)  
O/T TFC 122.1

DECLARED DISTANCES		06	24						
TORA		3519	3519						
TODA		3519	3519						
ASDA		3519	3519						
LDA		3519	3519						



**\* DEPARTURE PROCEDURE**  
Rwy 06 - 1/2 - CLB RWY HDG to 600 BPOC.  
Note: Unlighted P-line 161 ASL (40 AGL) 500 ft NE of thld rwy 24  
Rwy 24 - 1/2 - CLB RWY HDG to 800 BPOC.

TAKE-OFF MINIMA
Rwys 06, 24: *



Source of Canadian Civil Aeronautical Data : © 2010 NAV CANADA All rights reserved

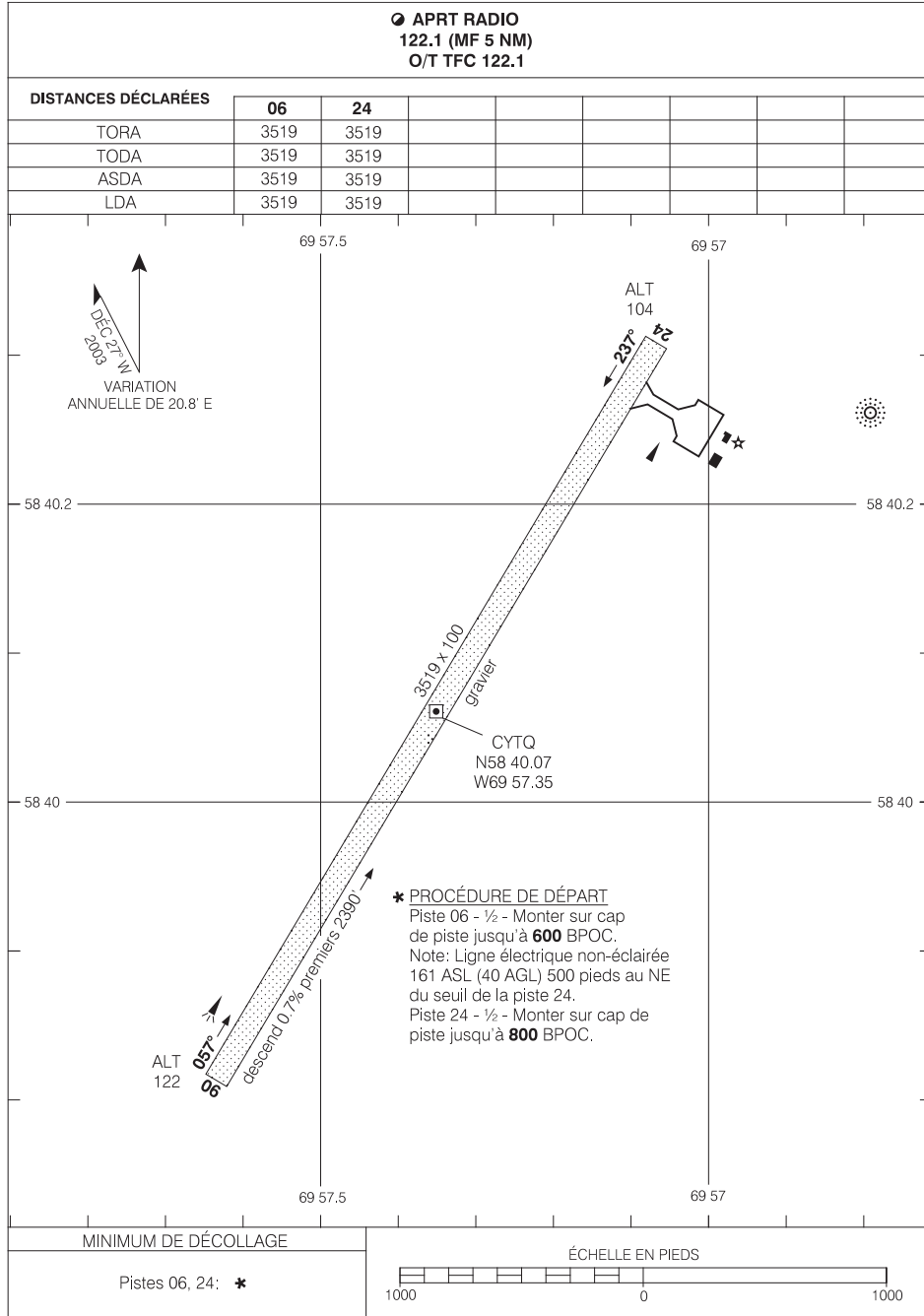
# AERODROME CHART

TASIUJQAQ QC  
TASIUJQAQ  
NAD83

EFF 8 JUN 06 CHANGE: Editorial

# CARTE D'AÉRODROME

TASIUJAQ  
TASIUJAQ QC



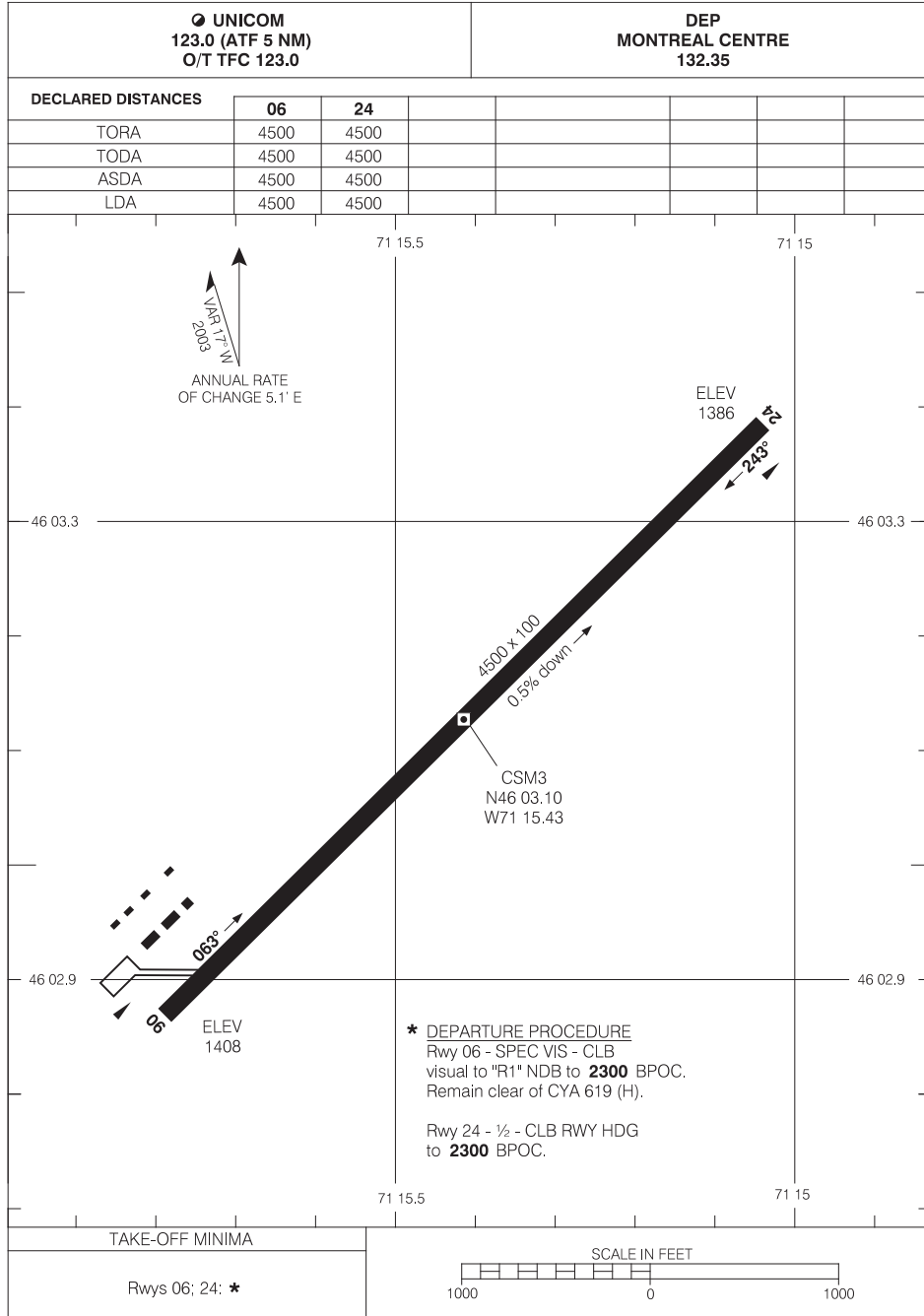
# CARTE D'AERODROME

TASIUJAQ QC  
TASIUJAQ  
NAD83

VAL 8 JUIN 06      CHANGEMENT: Éditorial

# AERODROME CHART

THETFORD MINES  
THETFORD MINES QC



Source of Canadian Civil Aeronautical Data : © 2010 NAV CANADA All rights reserved

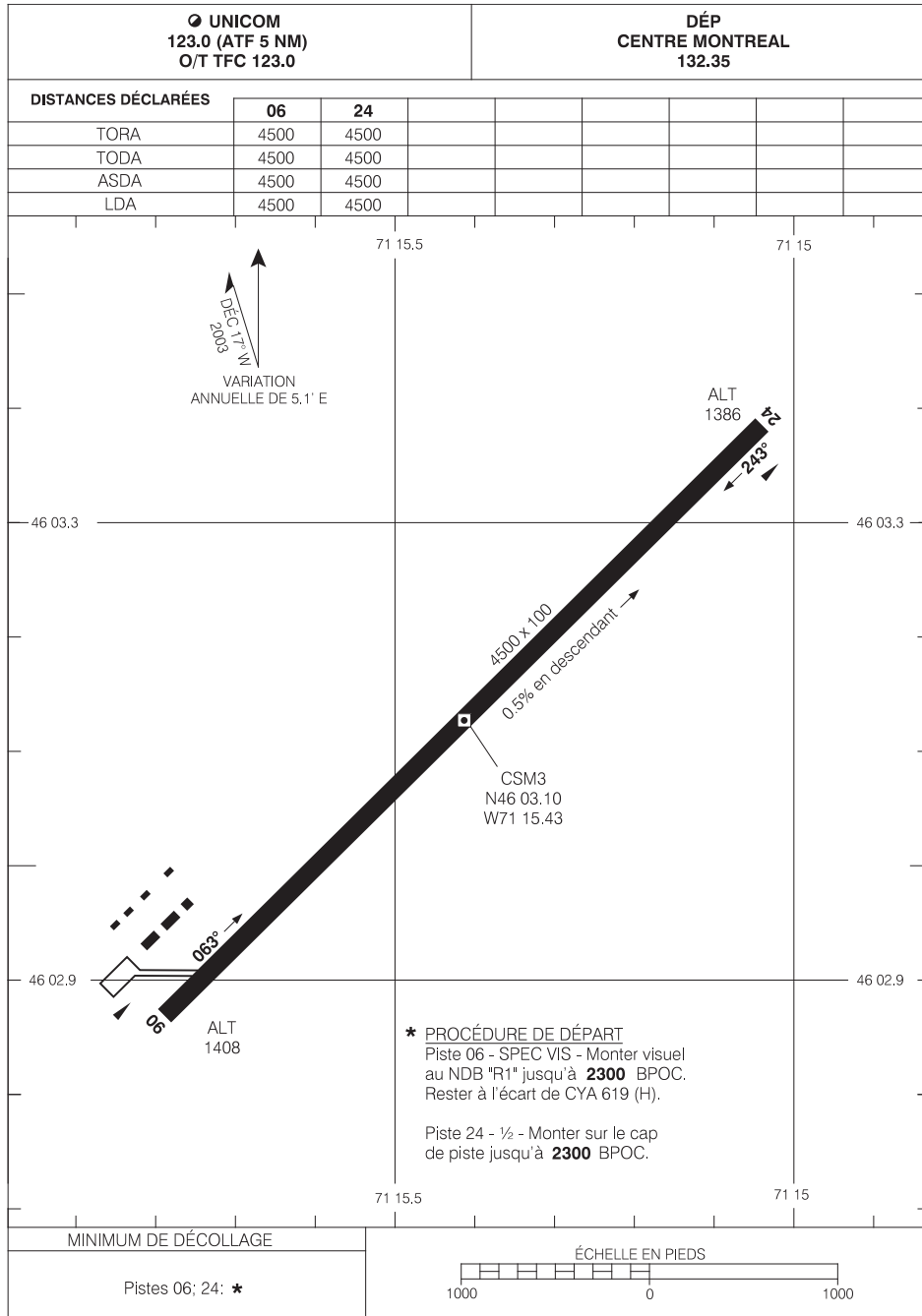
# AERODROME CHART

THETFORD MINES QC  
THETFORD MINES  
NAD83

EFF 12 MAR 09 CHANGE: UNICOM

# CARTE D'AÉRODROME

THETFORD MINES  
THETFORD MINES QC



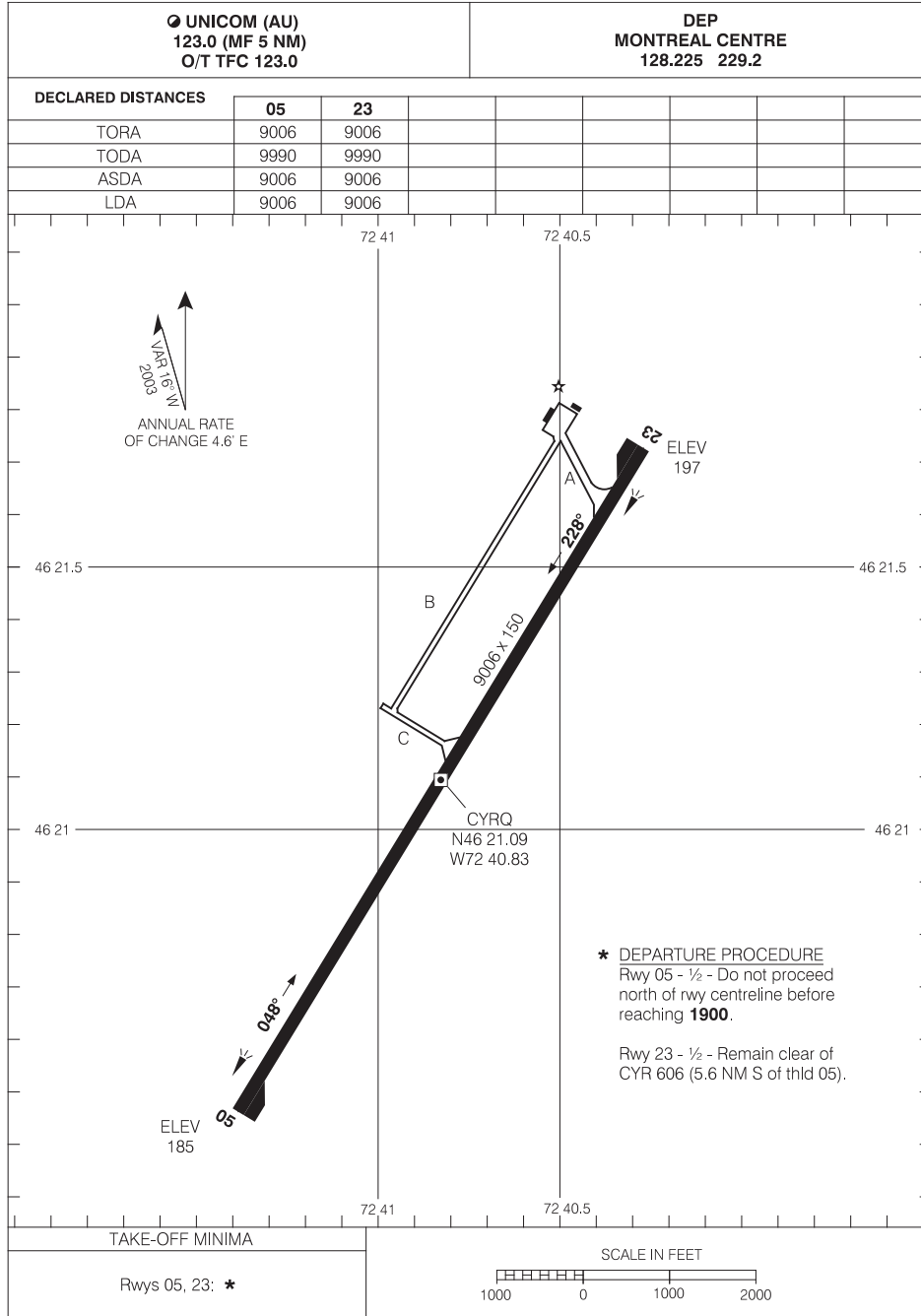
# CARTE D'AERODROME

THETFORD MINES QC  
THETFORD MINES  
NAD83

VAL 12 MAR 09      CHANGEMENT: UNICOM

# AERODROME CHART

TROIS-RIVIÈRES  
TROIS-RIVIÈRES QC



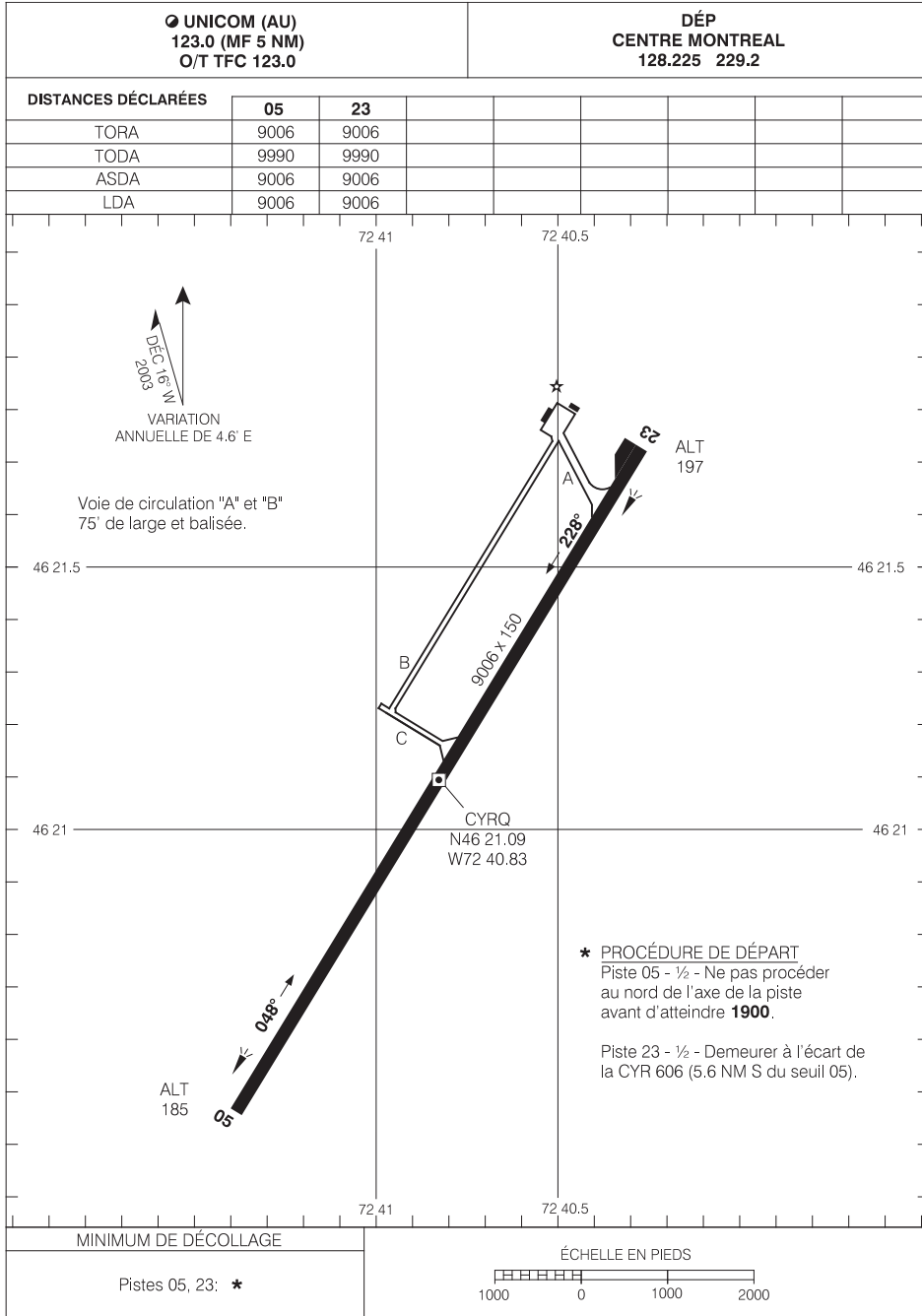
# AERODROME CHART

TROIS-RIVIÈRES QC  
TROIS-RIVIÈRES  
NAD83

EFF 11 FEB 10 CHANGE: Revised

# CARTE D'AÉRODROME

TROIS-RIVIÈRES  
TROIS-RIVIÈRES QC



Source des données aéronautiques civiles pour le Canada: © 2010 NAV CANADA Tous droits réservés

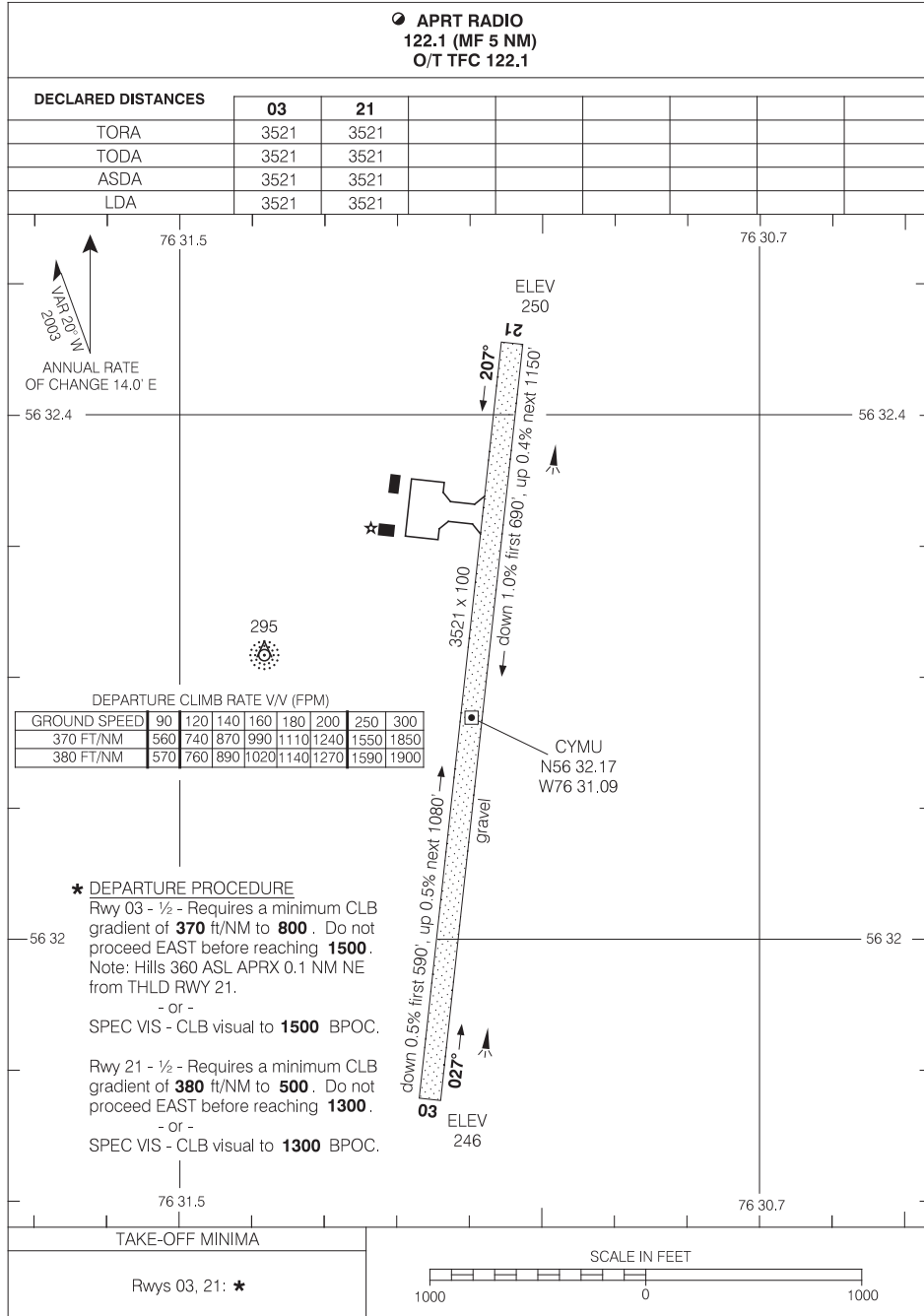
# CARTE D'AERODROME

TROIS-RIVIÈRES QC  
TROIS-RIVIÈRES  
NAD83

VAL 11 FÉV 10      CHANGEMENT: Révisée

# AERODROME CHART

UMIUAQ  
UMIUAQ QC



Source of Canadian Civil Aeronautical Data : © 2010 NAV CANADA All rights reserved

# AERODROME CHART

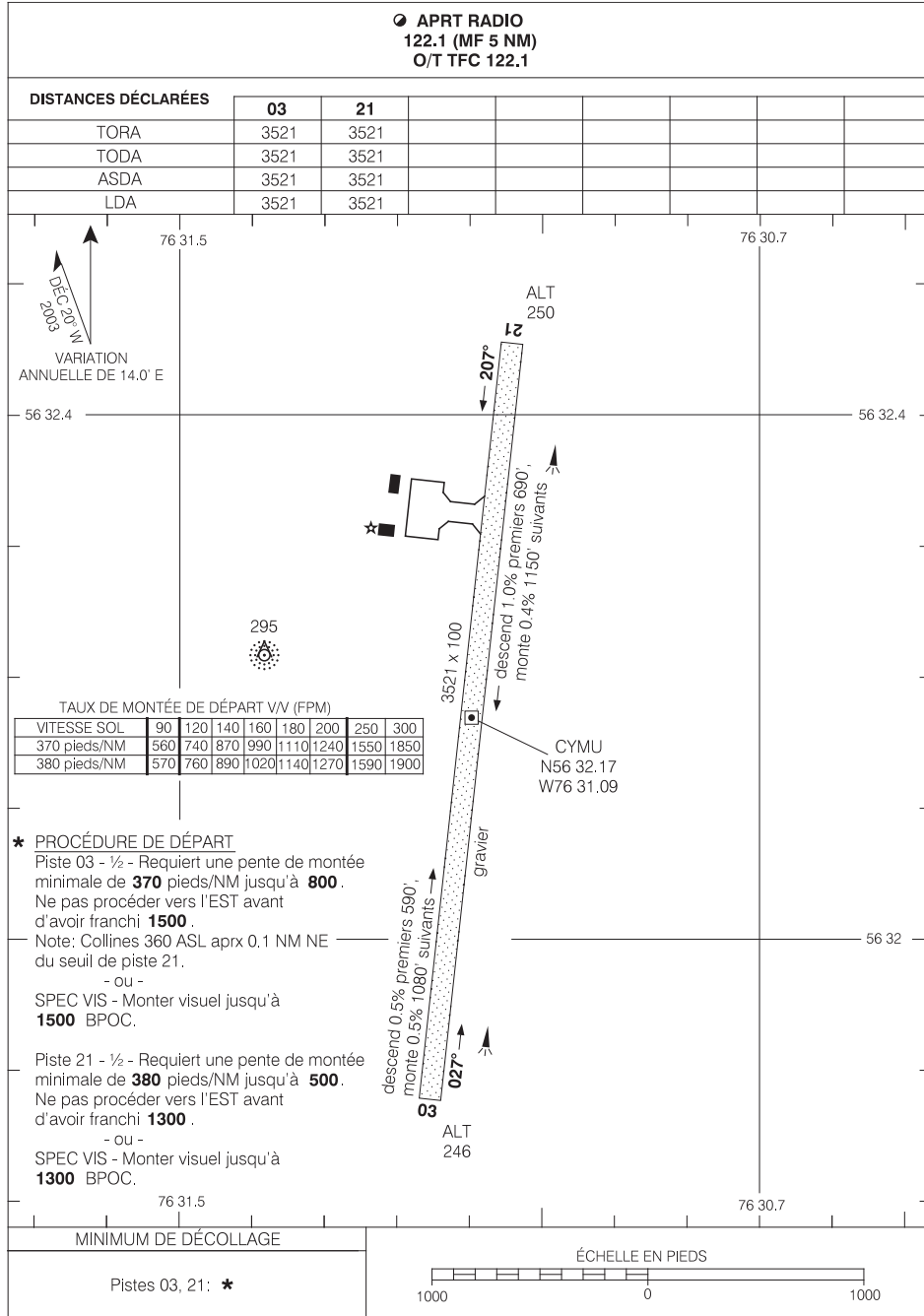
UMIUAQ QC  
UMIUAQ  
NAD83

EFF 30 AUG 07 CHANGE: Wind direction indicators



# CARTE D'AÉRODROME

UMIUAQ  
UMIUAQ QC



Source des données aéronautiques civiles pour le Canada © 2010 NAV CANADA Tous droits réservés

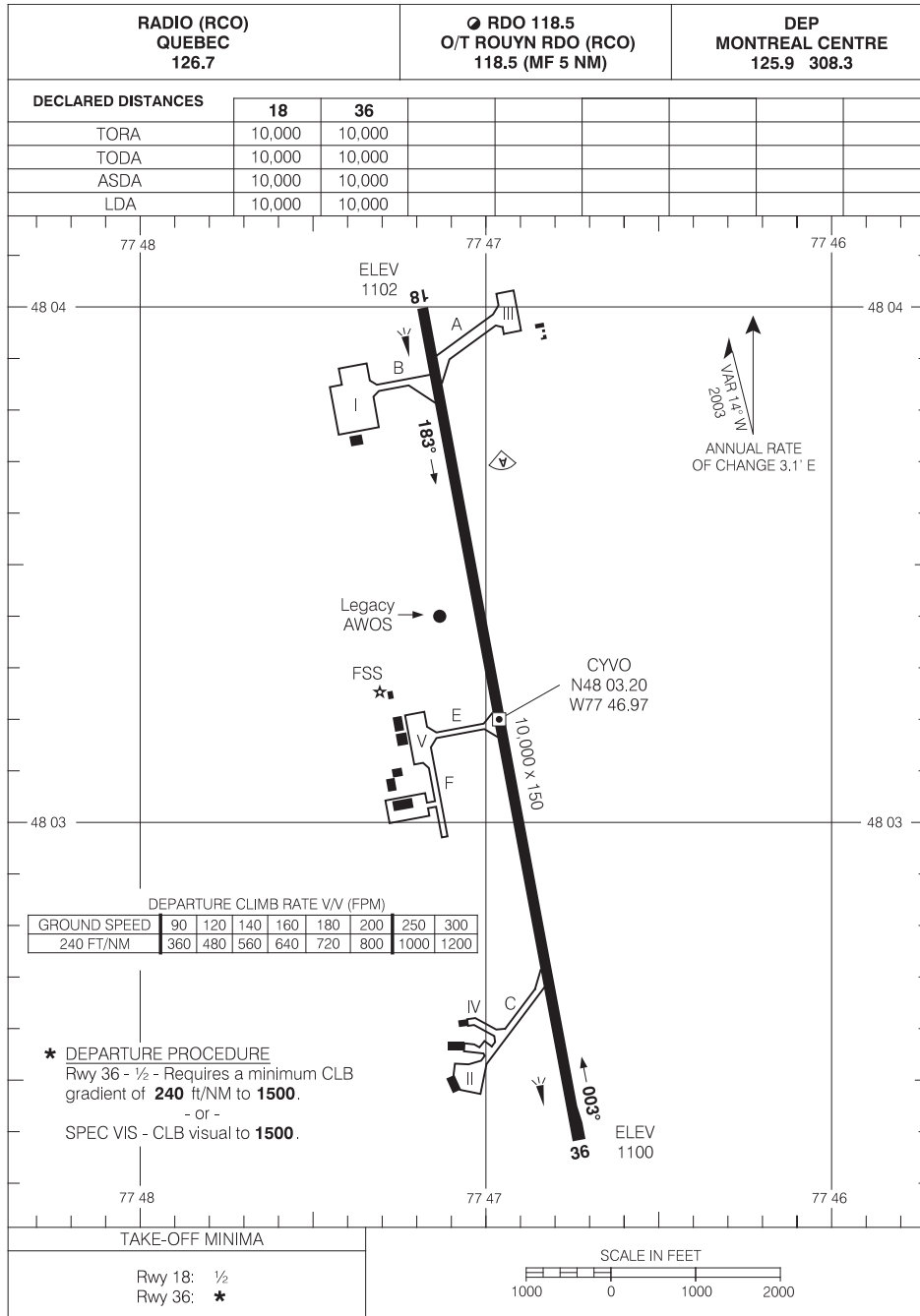
# CARTE D'AERODROME

UMIUAQ QC  
UMIUAQ  
NAD83

VAL 30 AOÛT 07    CHANGEMENT: Indicateurs de direction du vent

# AERODROME CHART

VAL-D'OR  
VAL-D'OR QC



Source of Canadian Civil Aeronautical Data : © 2010 NAV CANADA All rights reserved

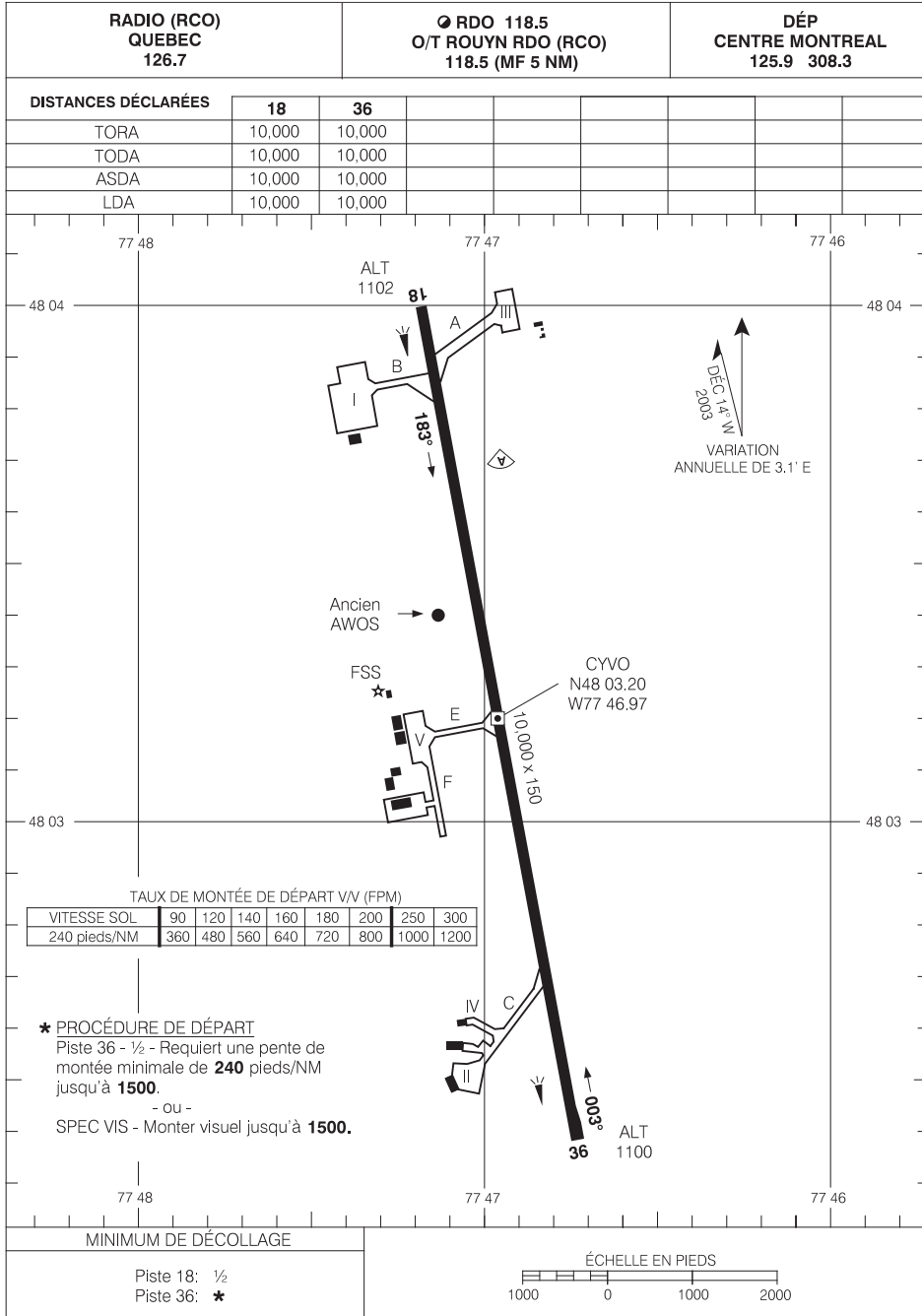
# AERODROME CHART

VAL-D'OR QC  
VAL-D'OR  
NAD83

EFF 27 AUG 09 CHANGE: Comm

# CARTE D'AÉRODROME

VAL-D'OR  
VAL-D'OR QC



Source des données aéronautiques civiles pour le Canada: © 2010 NAV CANADA. Tous droits réservés

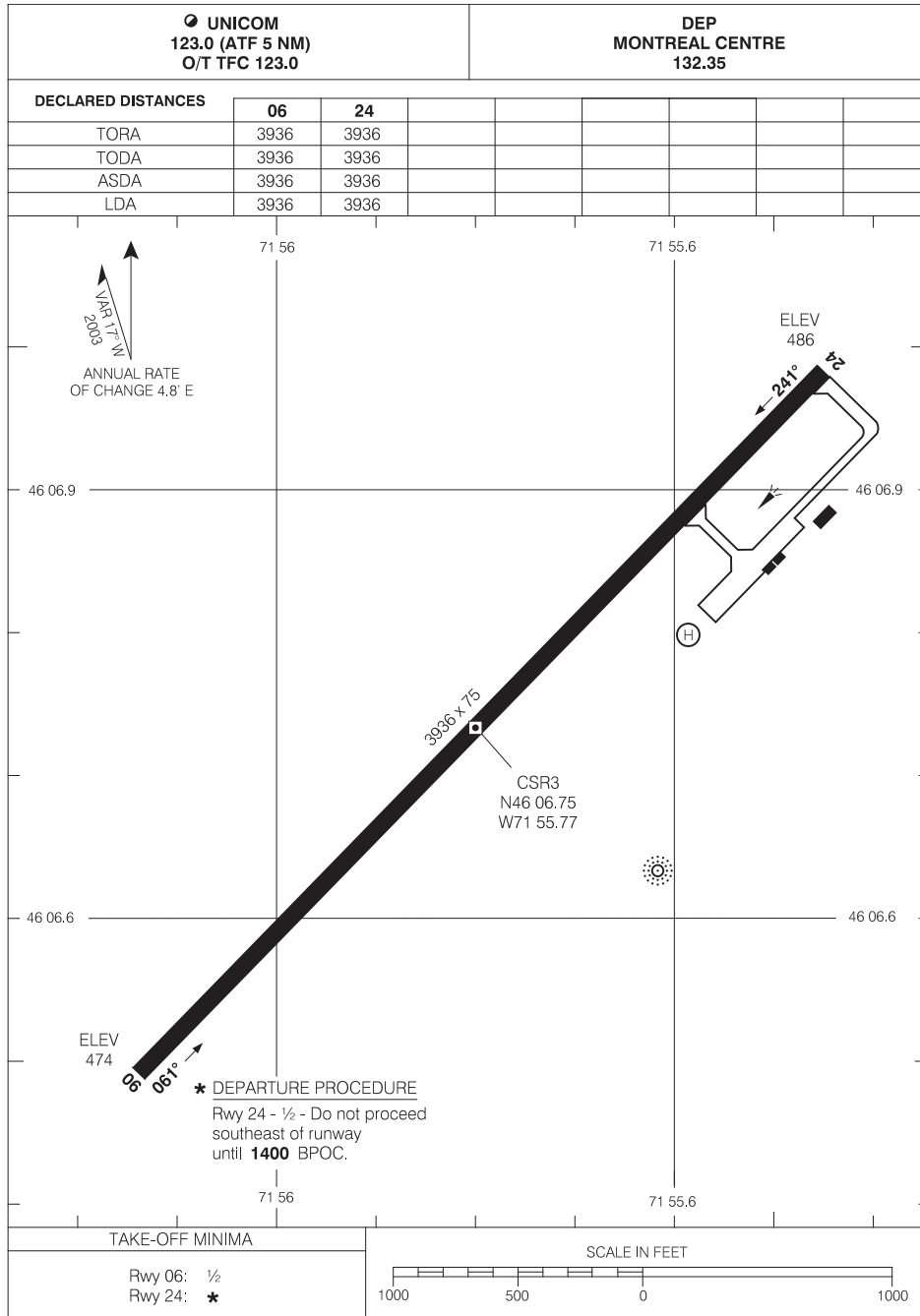
# CARTE D'AERODROME

VAL-D'OR QC  
VAL-D'OR  
NAD83

VAL 27 AOÛT 09 CHANGEMENT: COMM

# AERODROME CHART

VICTORIAVILLE  
VICTORIAVILLE QC



# AERODROME CHART

VICTORIAVILLE QC  
VICTORIAVILLE  
NAD83

EFF 2 JUL 09 CHANGE: AGCC, RWY length, elevation, declared distances

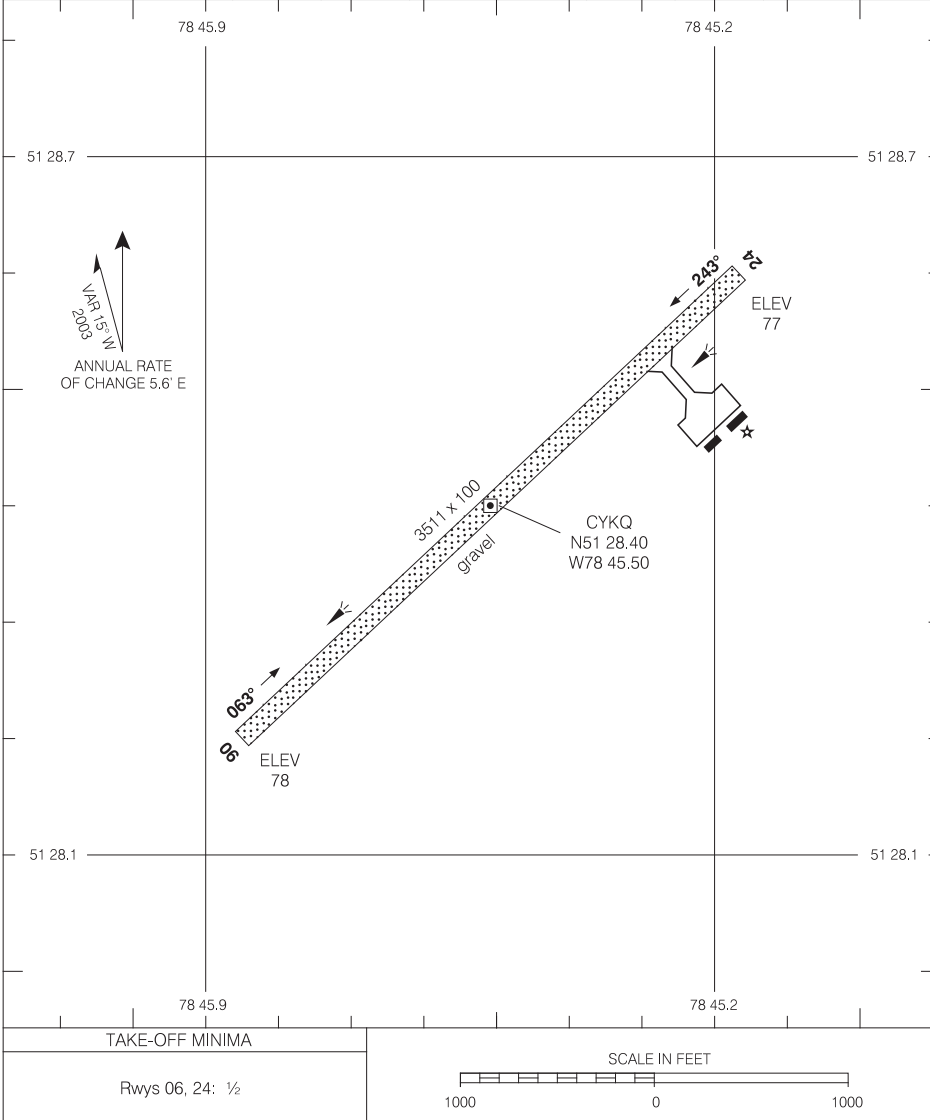


# AERODROME CHART

WASKAGANISH  
WASKAGANISH QC

APRT RADIO  
122.1 (MF 5 NM)  
O/T TFC 122.1

DECLARED DISTANCES		06	24						
TORA		3511	3511						
TODA		3511	3511						
ASDA		3511	3511						
LDA		3511	3511						



# AERODROME CHART

WASKAGANISH QC  
WASKAGANISH  
NAD83

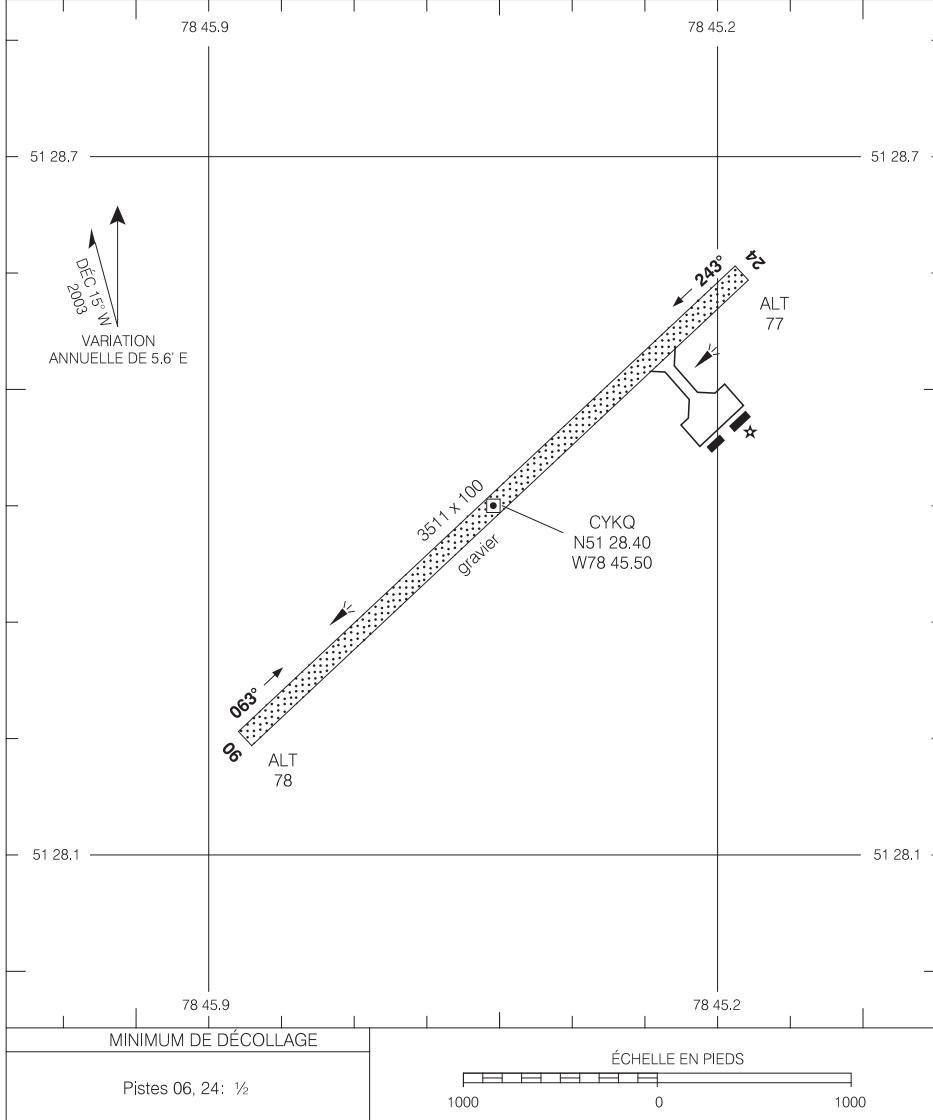
EFF 3 AUG 06 CHANGE: Revised

# CARTE D'AÉRODROME

WASKAGANISH  
WASKAGANISH QC

APRT RADIO  
122.1 (MF 5 NM)  
O/T TFC 122.1

DISTANCES DÉCLARÉES	06	24						
TORA	3511	3511						
TODA	3511	3511						
ASDA	3511	3511						
LDA	3511	3511						



Source des données aéronautiques civiles pour le Canada: © 2010 NAV CANADA. Tous droits réservés.

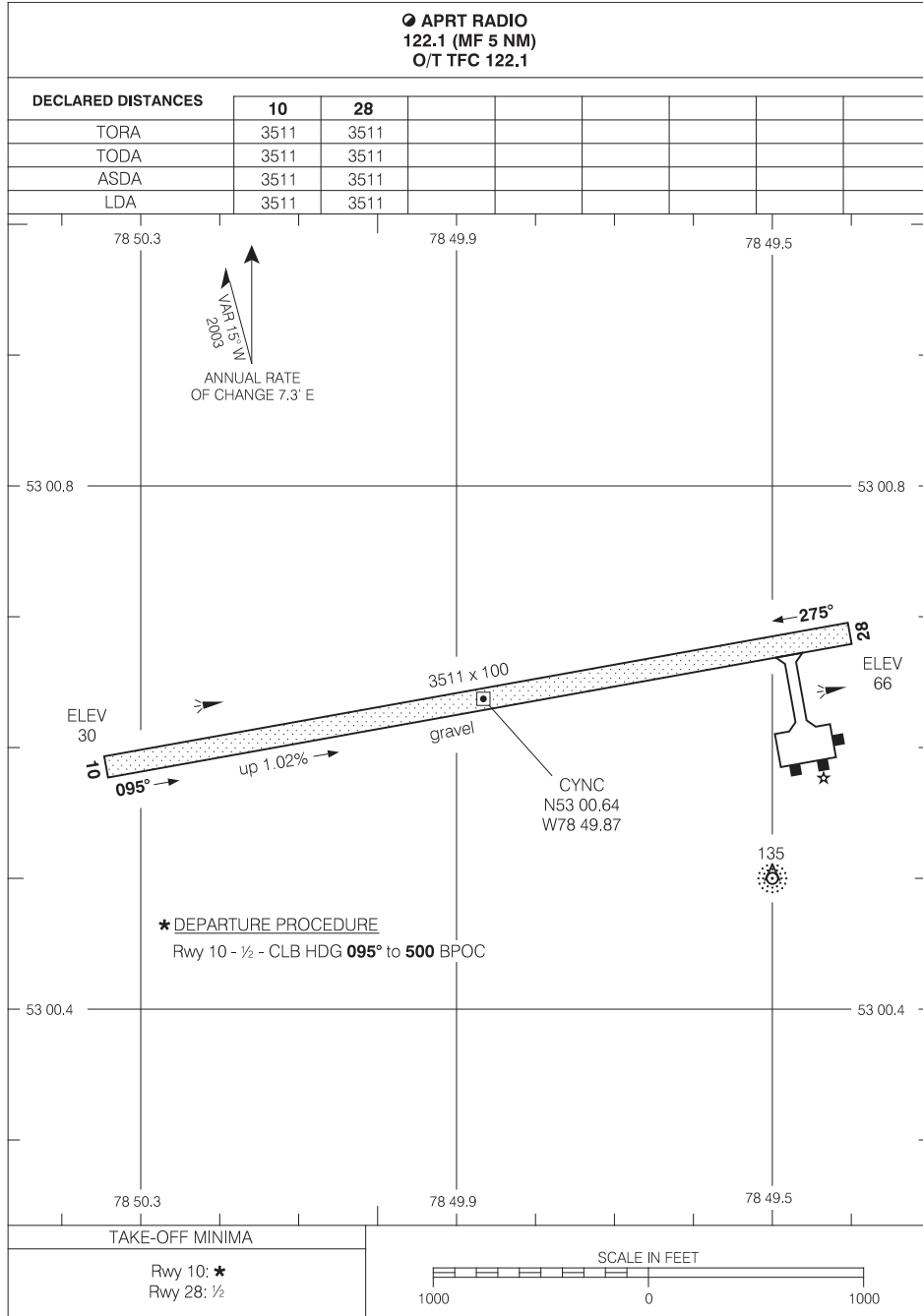
# CARTE D'AERODROME

WASKAGANISH QC  
WASKAGANISH  
NAD83

VAL 3 AOÛT 06      CHANGEMENT: Révisée

# AERODROME CHART

WEMINDJI  
WEMINDJI QC



Source of Canadian Civil Aeronautical Data : © 2010 NAV CANADA All rights reserved

# AERODROME CHART

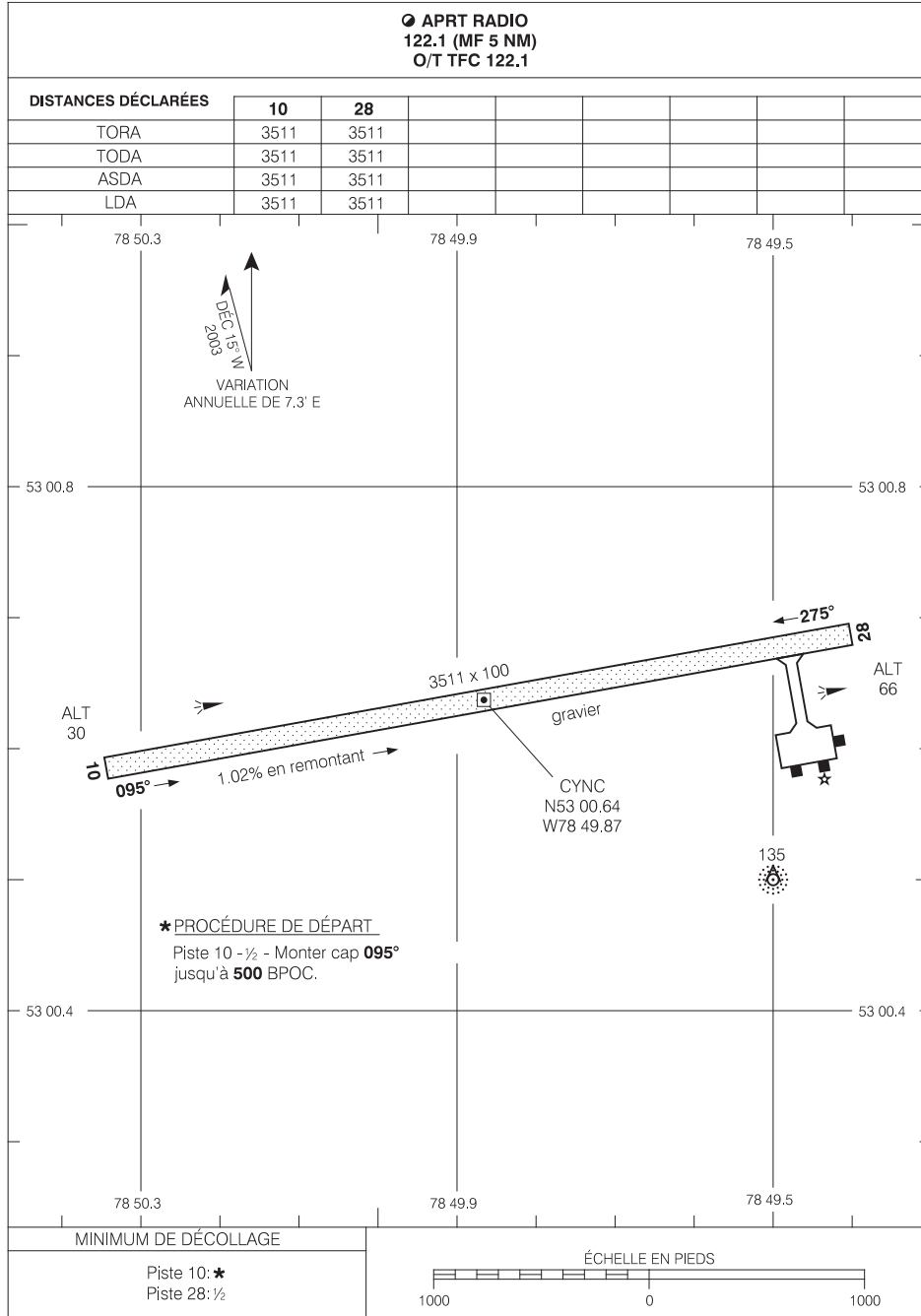
WEMINDJI QC  
WEMINDJI  
NAD83

EFF 17 DEC 09 CHANGE: Take-off minima



# CARTE D'AÉRODROME

WEMINDJI  
WEMINDJI QC



# CARTE D'AERODROME

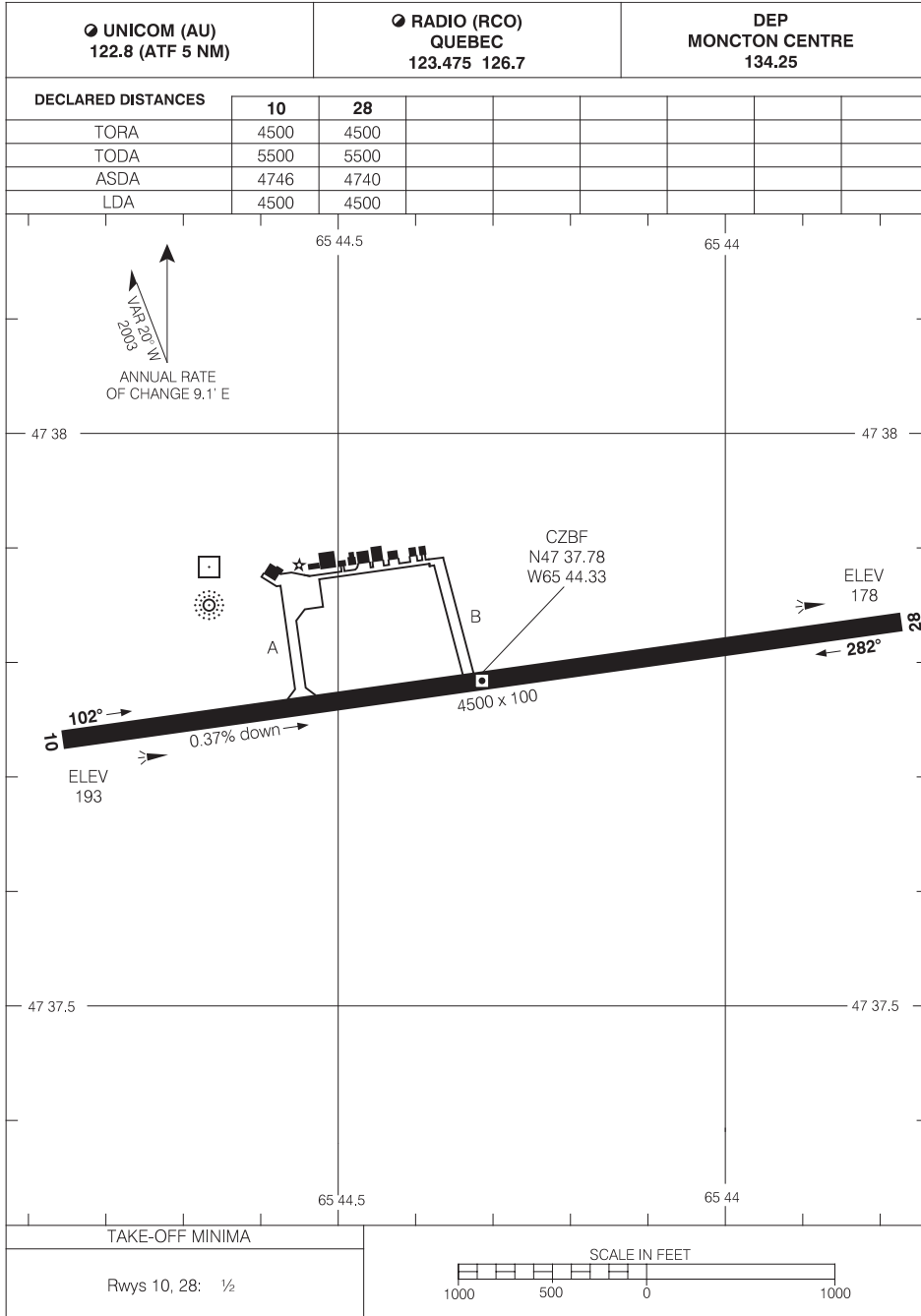
WEMINDJI QC  
WEMINDJI  
NAD83

VAL 17 DÉC 09

CHANGEMENT: Minimum de décollage

# AERODROME CHART

BATHURST  
BATHURST NB



Source of Canadian Civil Aeronautical Data : © 2010 NAV CANADA All rights reserved

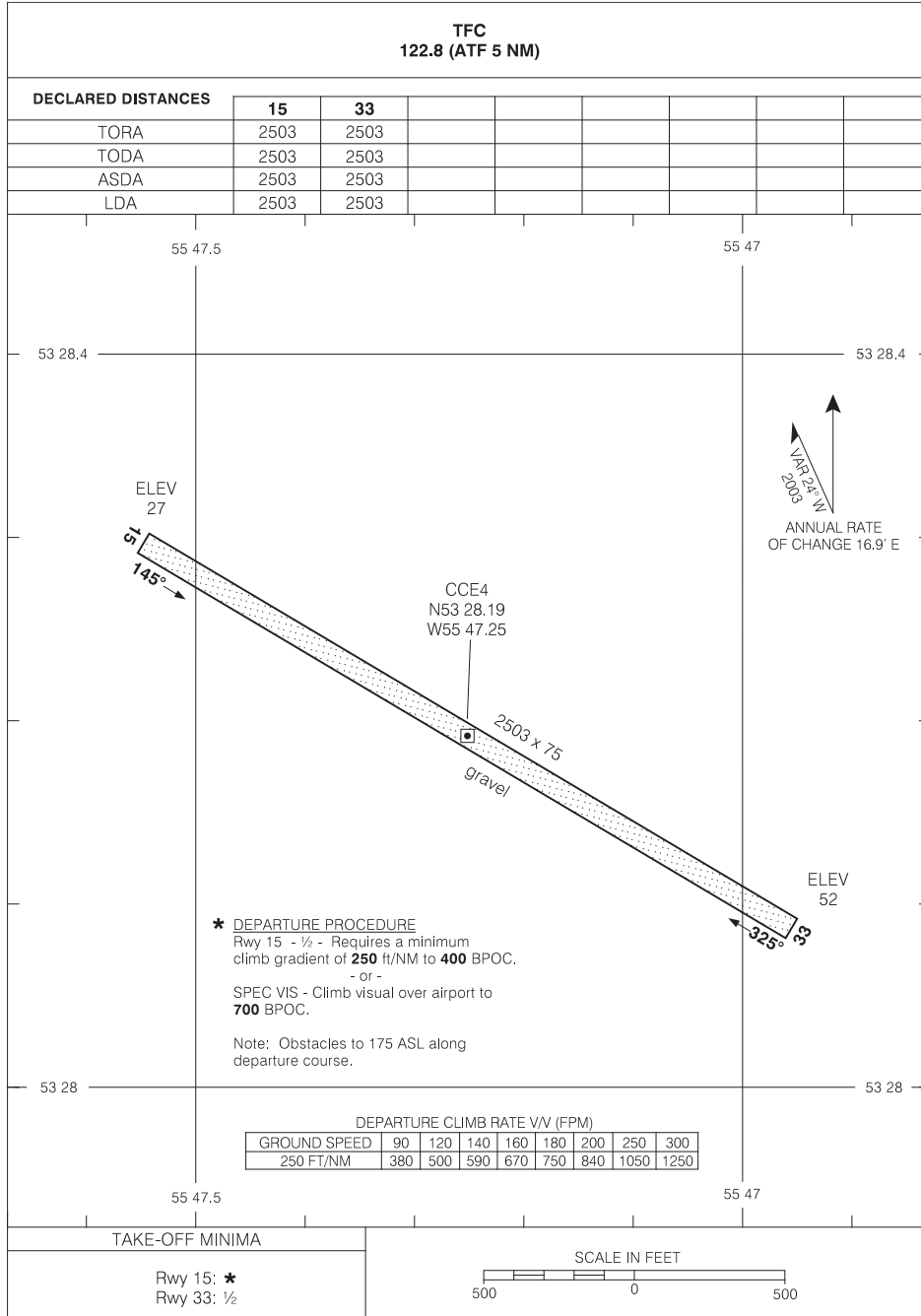
# AERODROME CHART

BATHURST NB  
BATHURST  
NAD83

EFF 11 FEB 10 CHANGE: COMM

# AERODROME CHART

BLACK TICKLE  
BLACK TICKLE NL



# AERODROME CHART

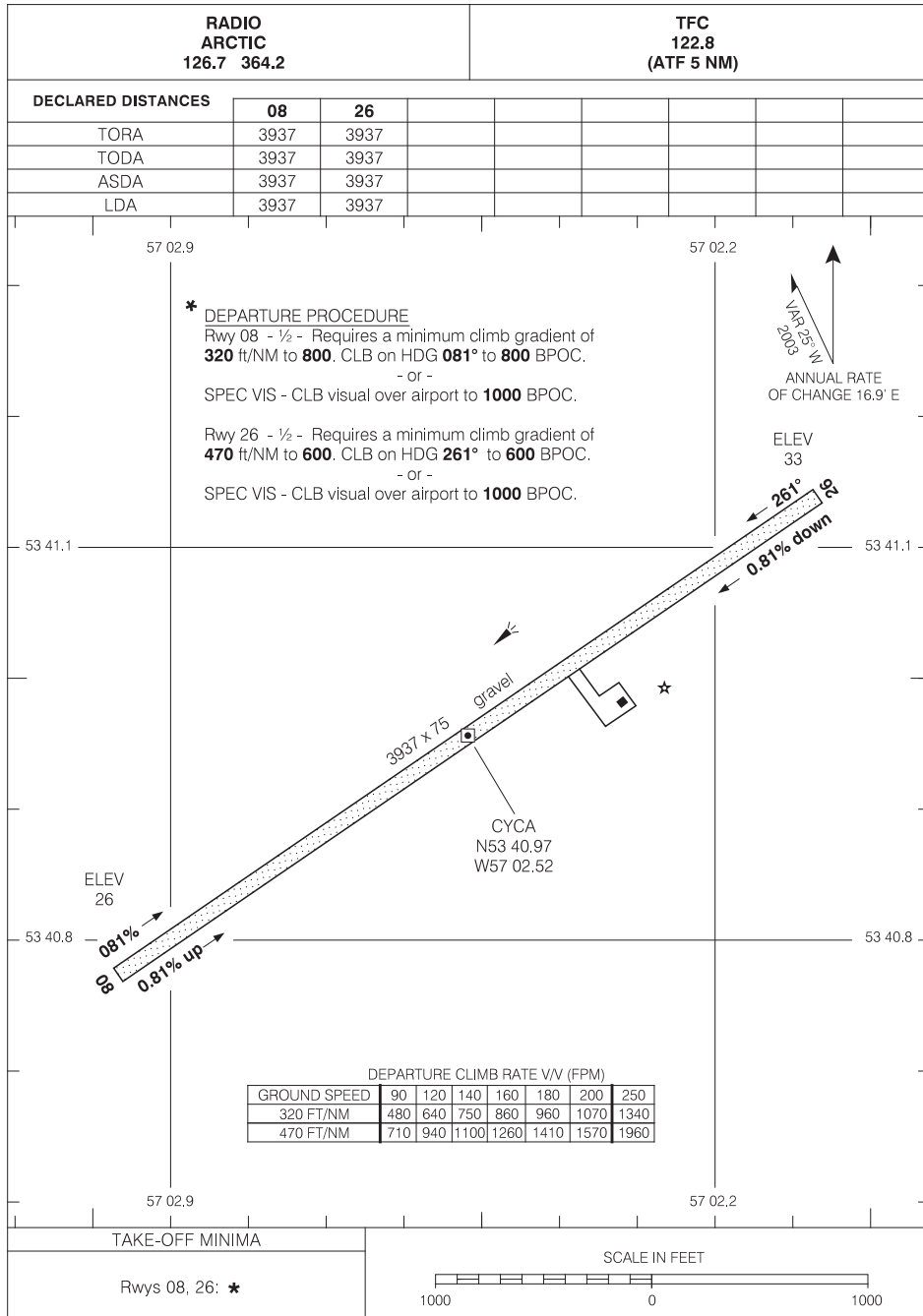
BLACK TICKLE NL  
BLACK TICKLE  
NAD83

EFF 31 JUL 08

CHANGE: Departure climb rate chart

# AERODROME CHART

CARTWRIGHT  
CARTWRIGHT NL



Source of Canadian Civil Aeronautical Data : © 2010 NAV CANADA All rights reserved

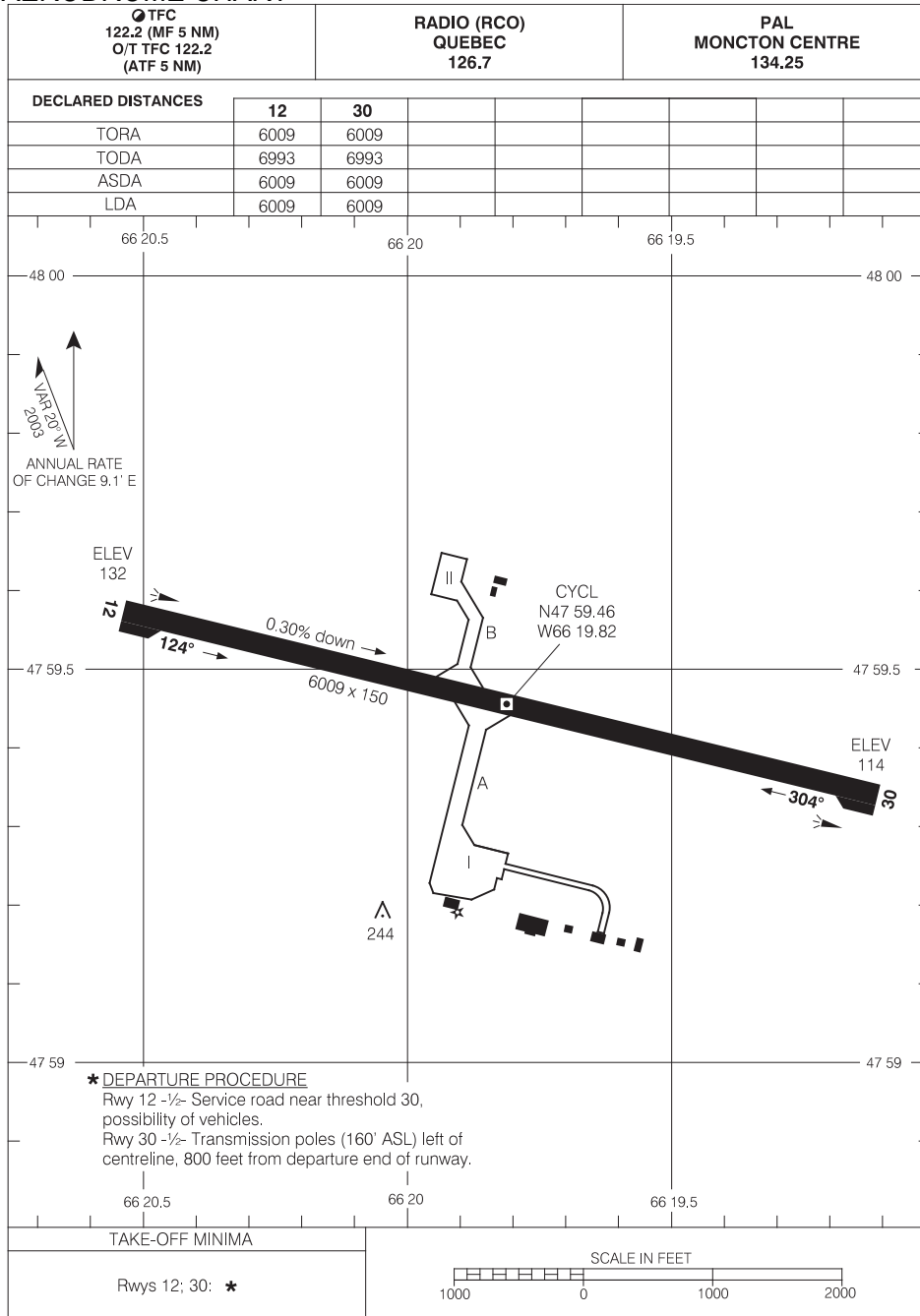
# AERODROME CHART

CARTWRIGHT NL  
CARTWRIGHT  
NAD83

EFF 20 DEC 07 CHANGE: New AD chart

# AERODROME CHART

CHARLO  
CHARLO NB



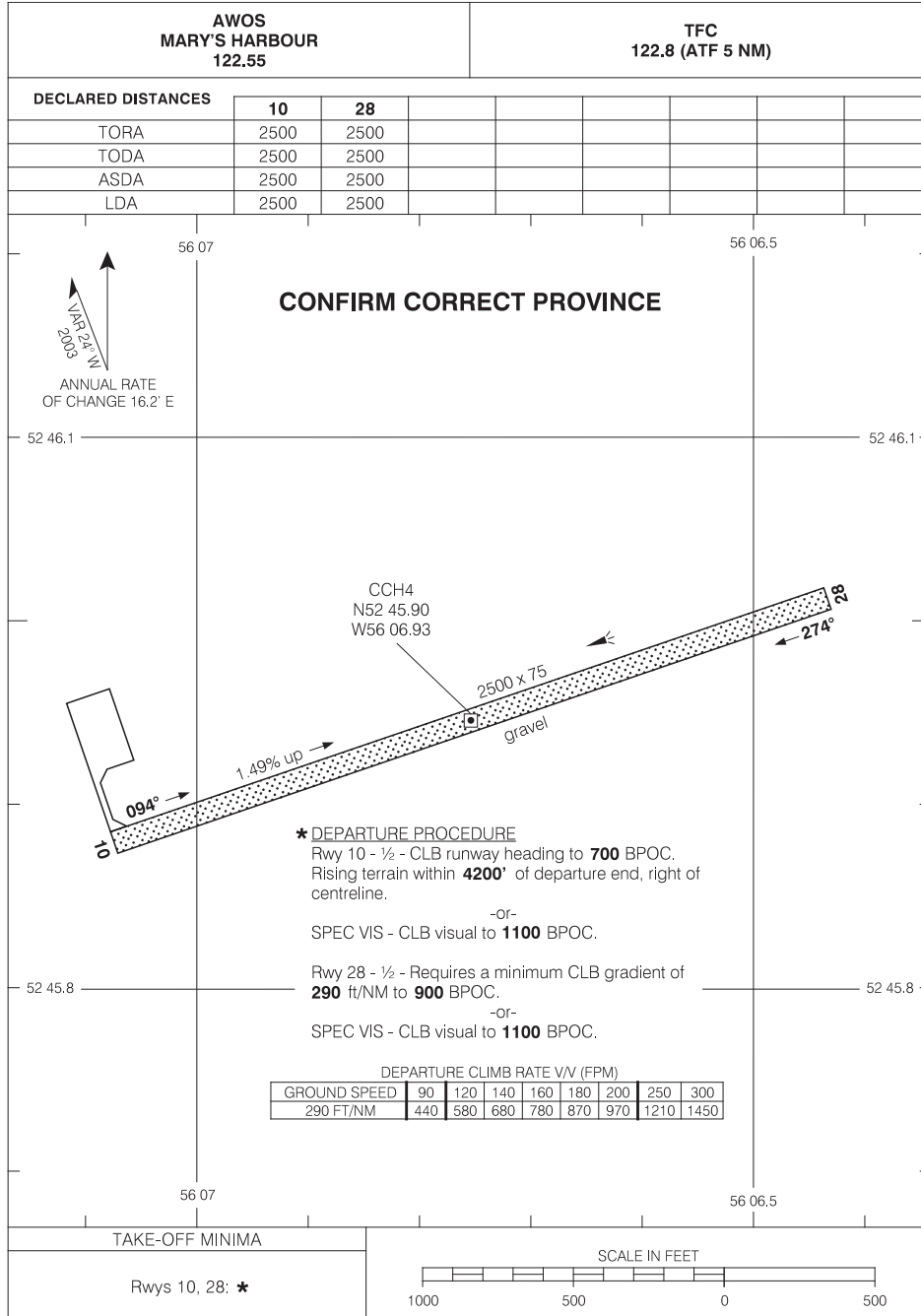
# AERODROME CHART

CHARLO NB  
CHARLO  
NAD83

EFF 11 FEB 10 CHANGE: Declared distances, RVR A deleted

# AERODROME CHART

CHARLOTTETOWN  
CHARLOTTETOWN NL



Source of Canadian Civil Aeronautical Data : © 2010 NAV CANADA All rights reserved

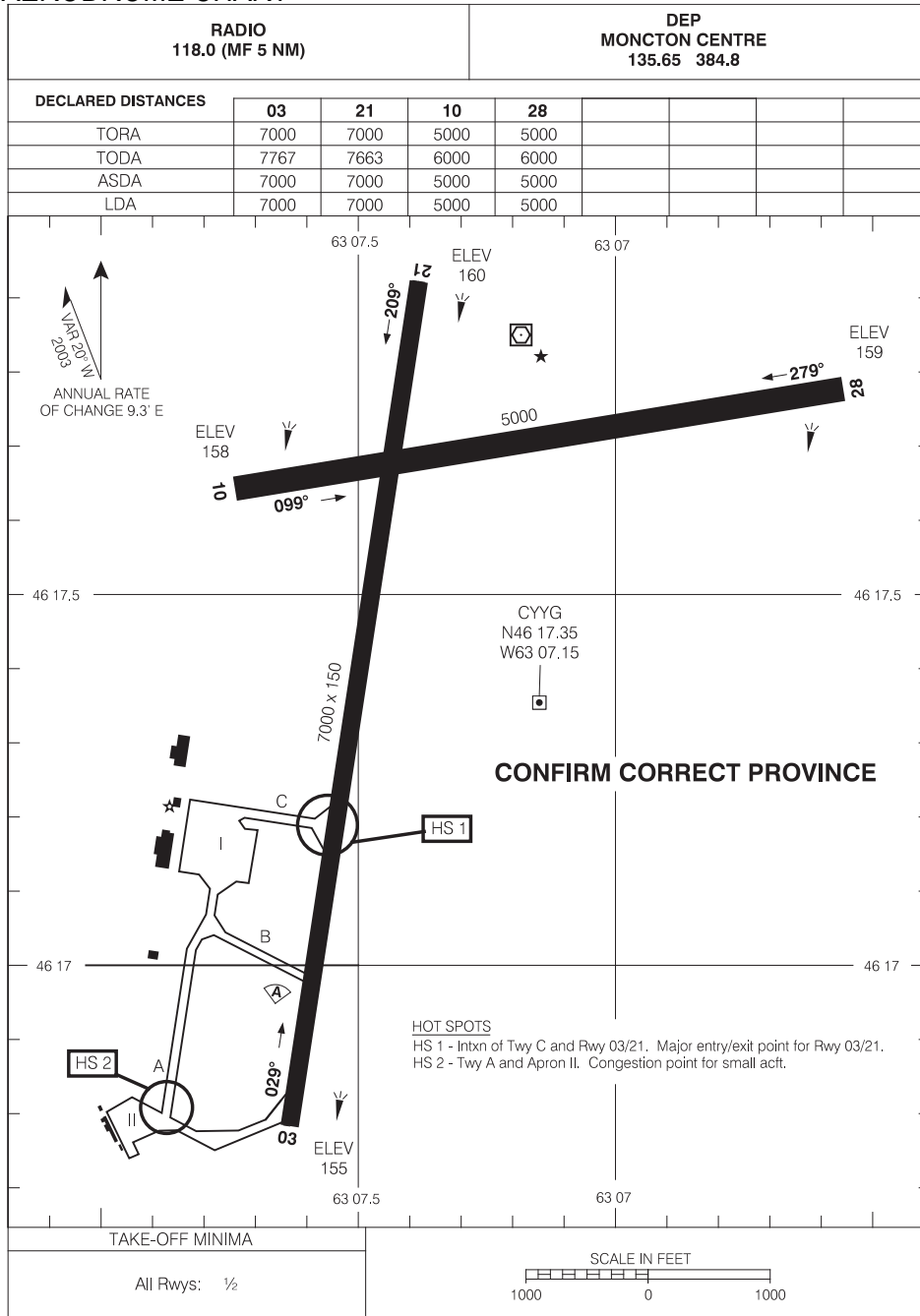
# AERODROME CHART

CHARLOTTETOWN NL  
CHARLOTTETOWN  
NAD83

EFF 13 APR 06 CHANGE: Editorial

# AERODROME CHART

CHARLOTTETOWN  
CHARLOTTETOWN PE



Source of Canadian Civil Aeronautical Data : © 2010 NAV CANADA All rights reserved

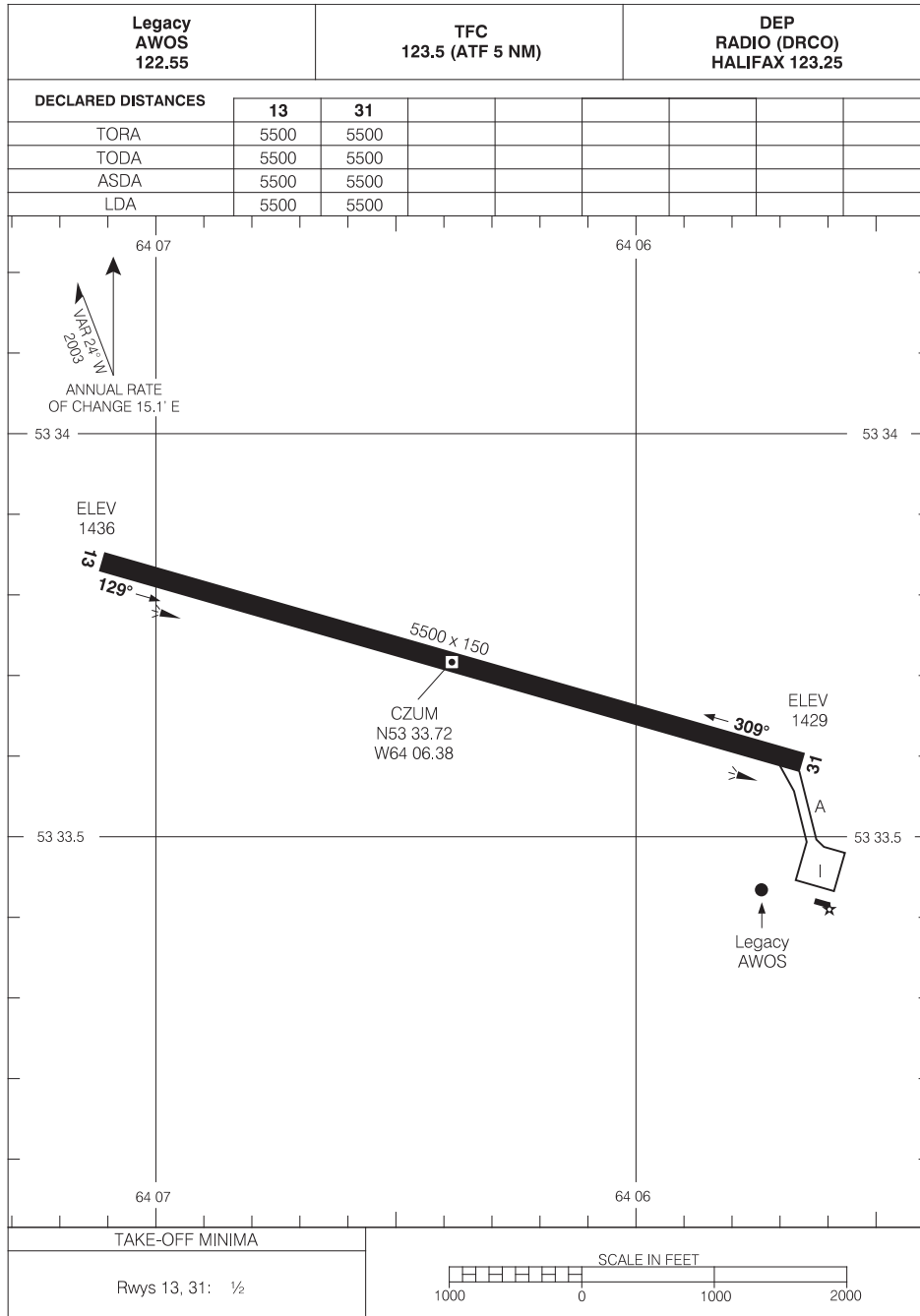
# AERODROME CHART

CHARLOTTETOWN PE  
CHARLOTTETOWN  
NAD83

EFF 27 AUG 09 CHANGE: COMM

# AERODROME CHART

CHURCHILL FALLS  
CHURCHILL FALLS NL



# AERODROME CHART

CHURCHILL FALLS NL  
CHURCHILL FALLS  
NAD83

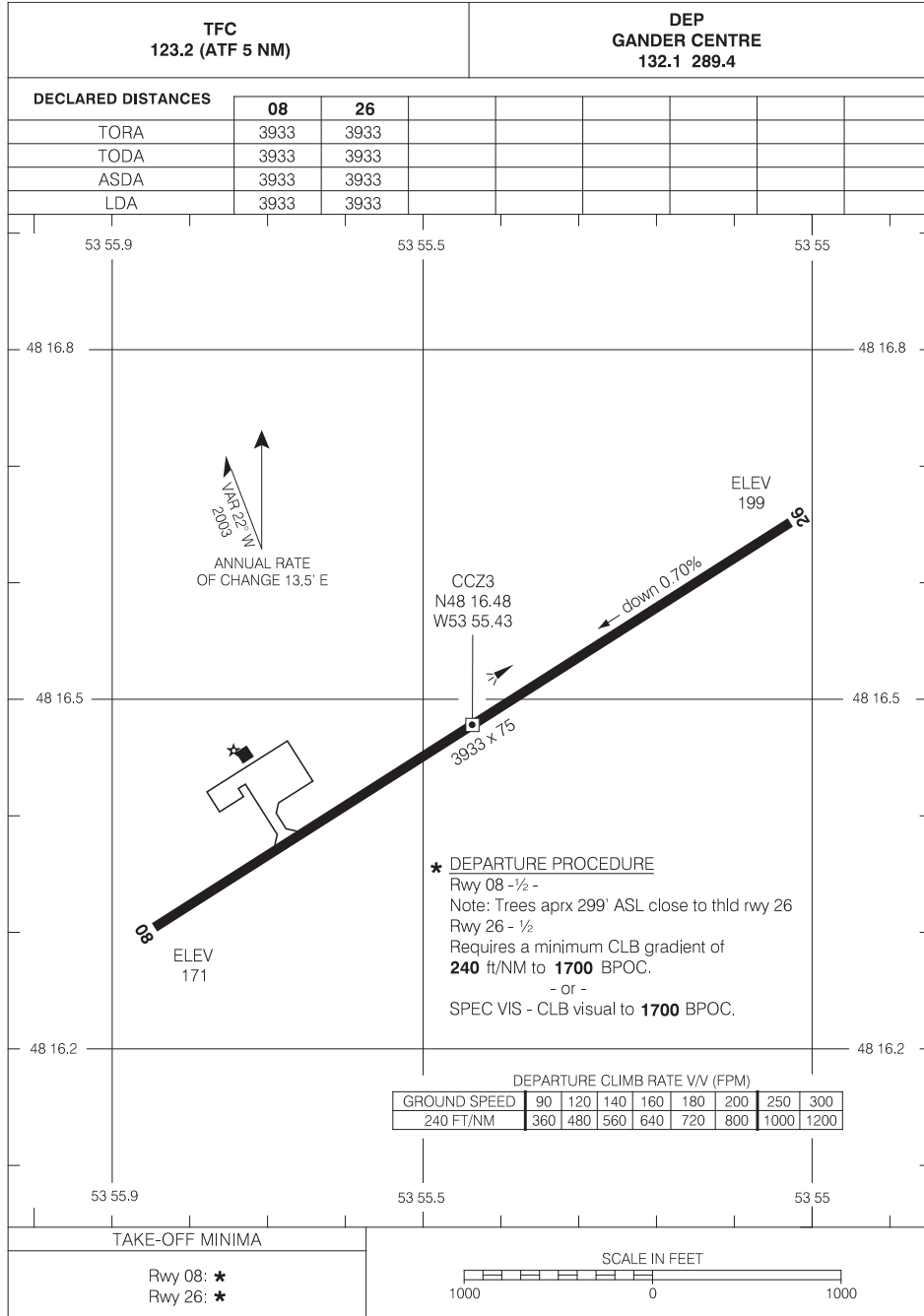
EFF 7 MAY 09

CHANGE: Magnetic bearing



# AERODROME CHART

CLARENVILLE  
CLARENVILLE NL



Source of Canadian Civil Aeronautical Data : © 2010 NAV CANADA All rights reserved

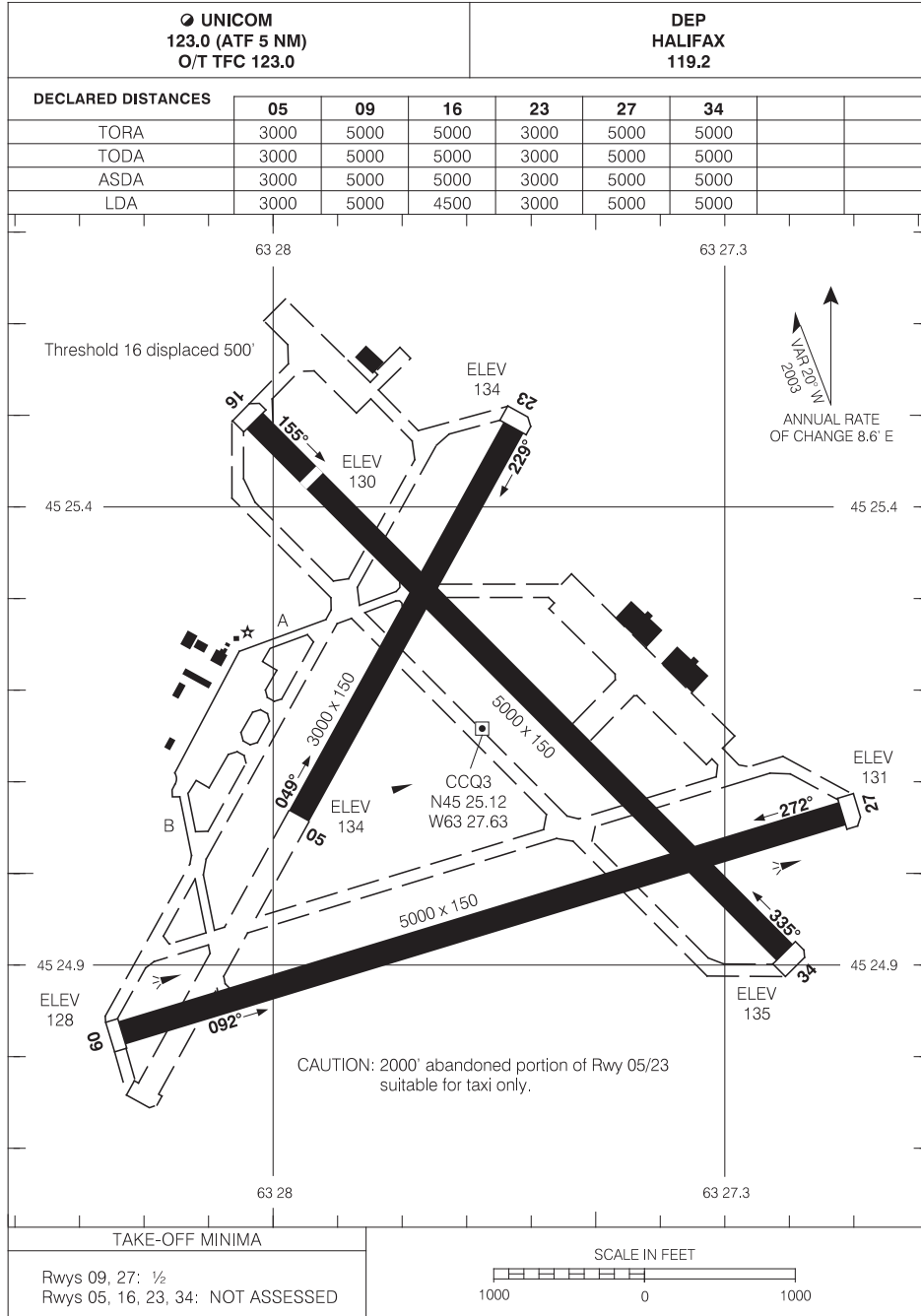
# AERODROME CHART

CLARENVILLE NL  
CLARENVILLE  
NAD83

EFF 23 NOV 06      CHANGE: Departure procedure

# AERODROME CHART

DEBERT  
DEBERT NS



Source of Canadian Civil Aeronautical Data : © 2010 NAV CANADA All rights reserved

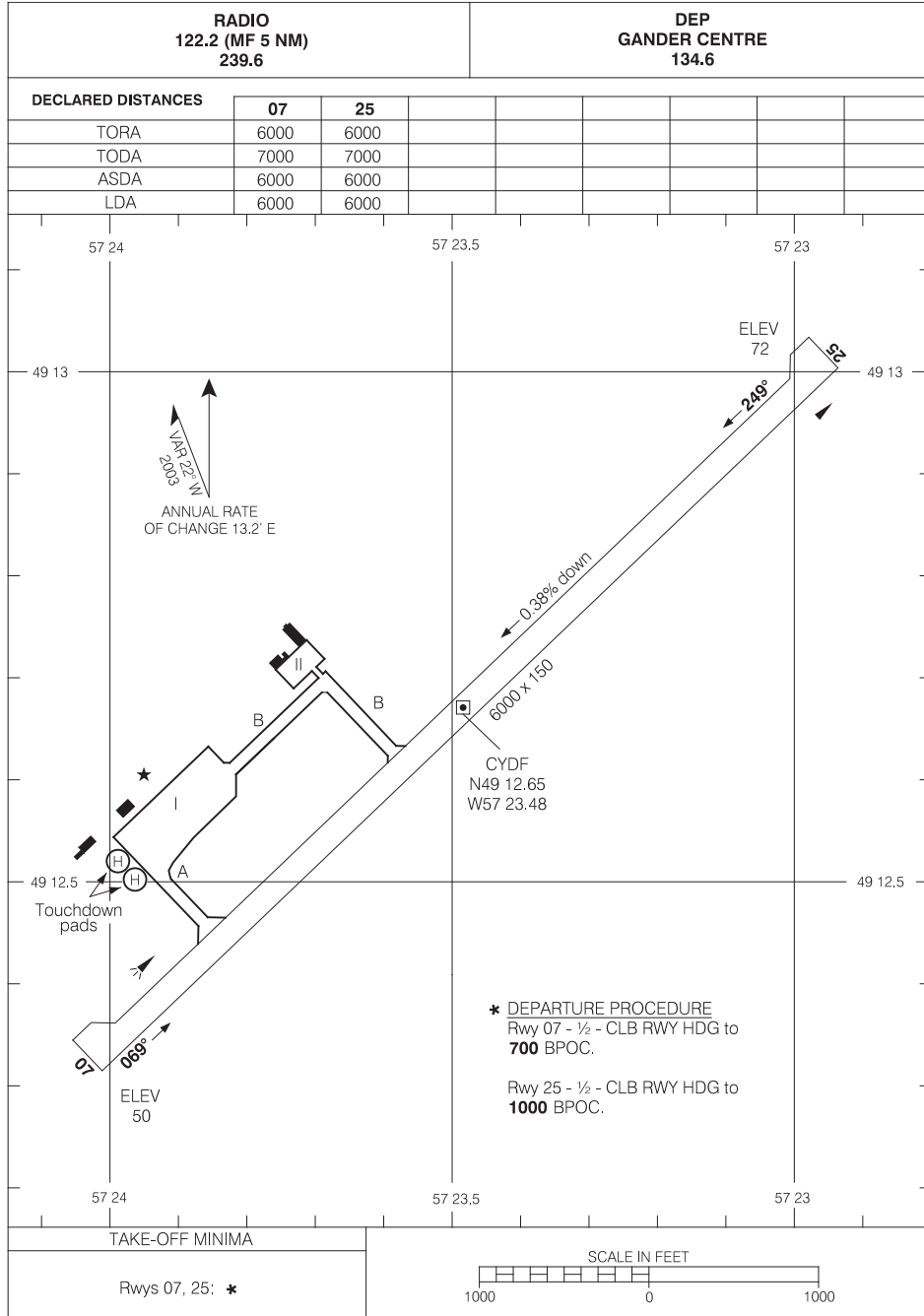
# AERODROME CHART

DEBERT NS  
DEBERT  
NAD83

EFF 13 APR 06 CHANGE: Editorial

# AERODROME CHART

DEER LAKE  
DEER LAKE NL



Source of Canadian Civil Aeronautical Data : © 2010 NAV CANADA All rights reserved

# AERODROME CHART

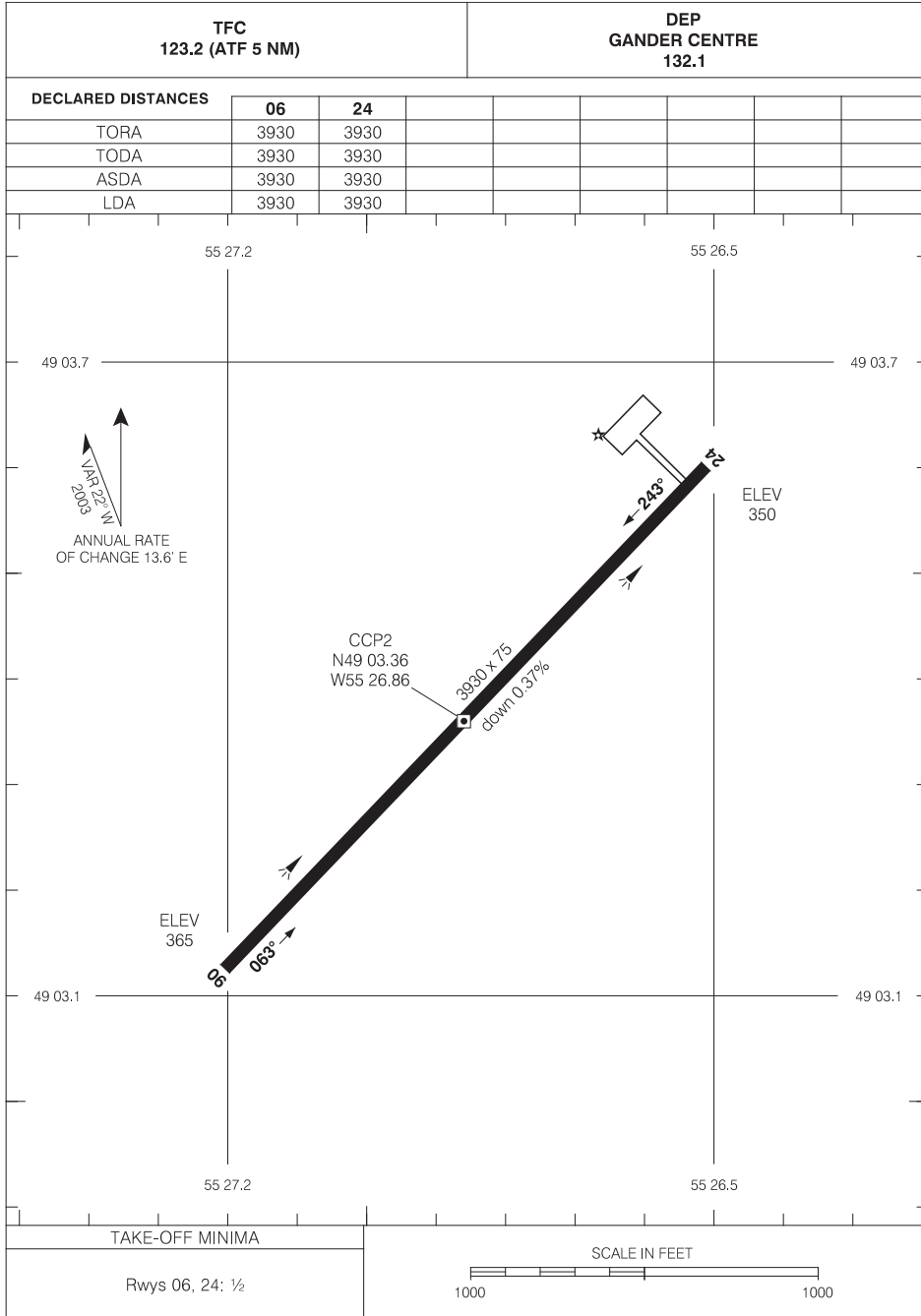
DEER LAKE NL  
DEER LAKE  
NAD83

EFF 15 JAN 09 CHANGE: TWY Width



# AERODROME CHART

EXPLOITS VALLEY (BOTWOOD)  
BOTWOOD NL



Source of Canadian Civil Aeronautical Data : © 2010 NAV CANADA All rights reserved

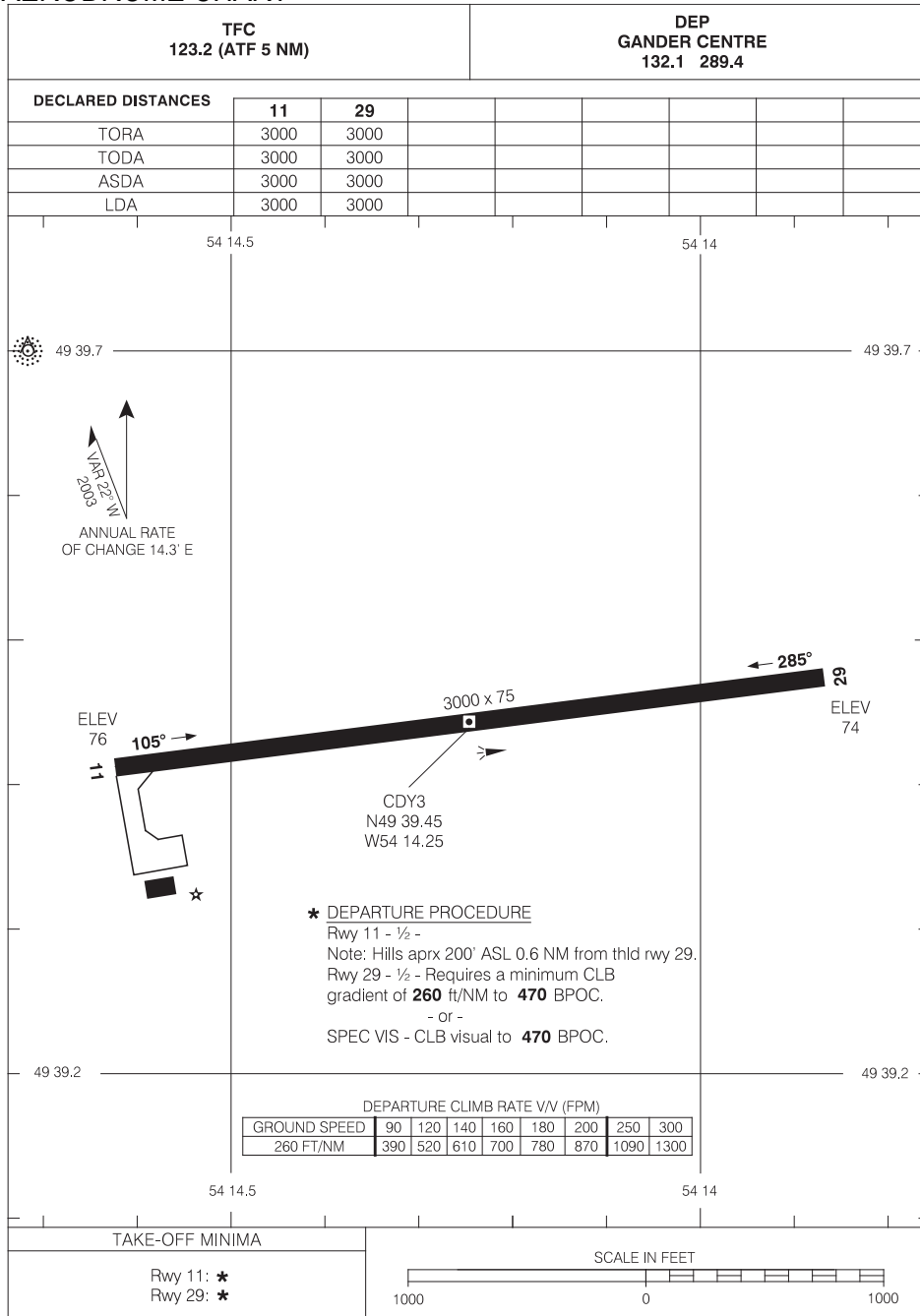
# AERODROME CHART

BOTWOOD NL  
EXPLOITS VALLEY (BOTWOOD)  
NAD83

EFF 3 AUG 06 CHANGE: AGCC

# AERODROME CHART

FOGO  
FOGO NL



Source of Canadian Civil Aeronautical Data : © 2010 NAV CANADA All rights reserved

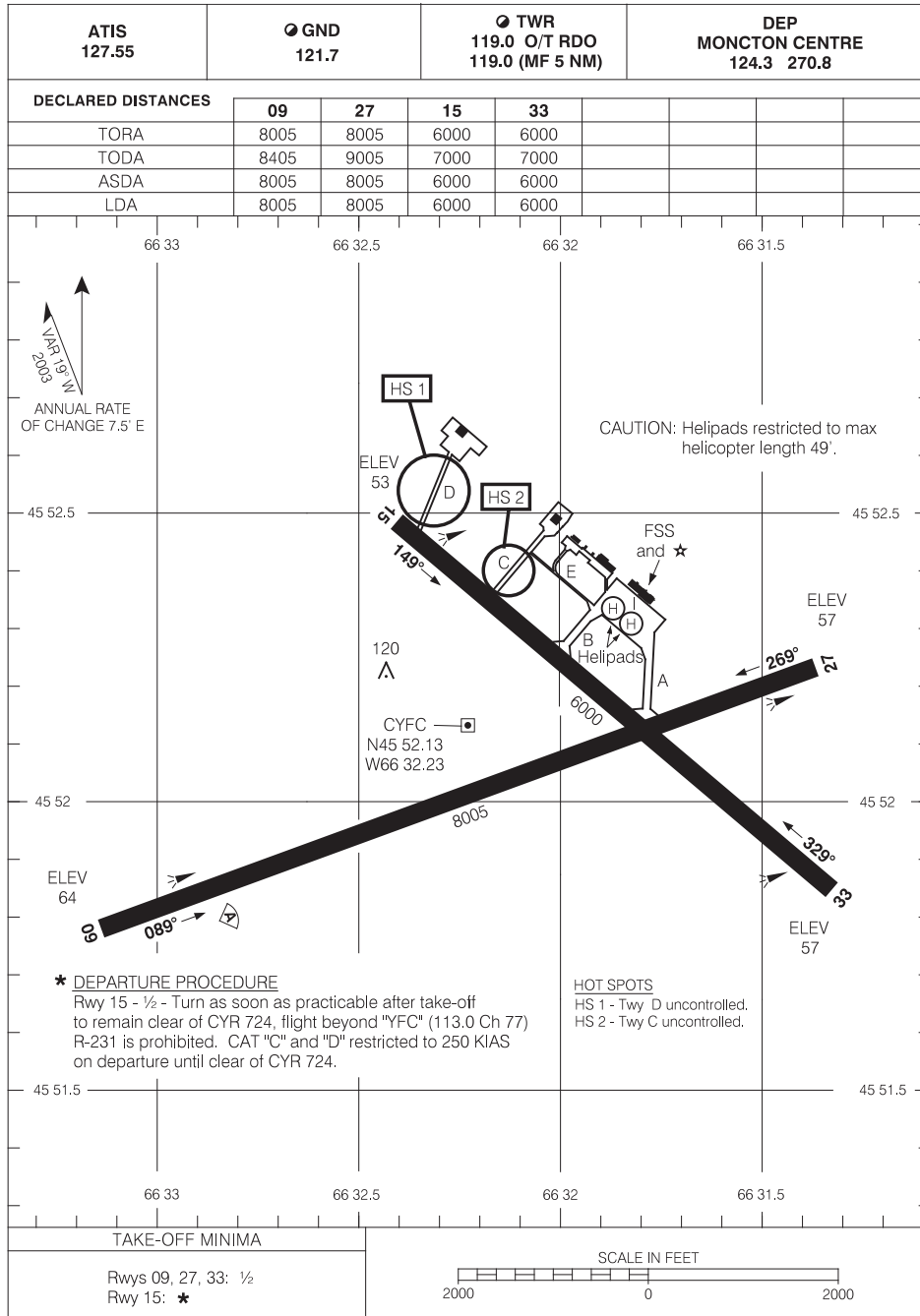
# AERODROME CHART

FOGO NL  
FOGO  
NAD83

EFF 23 NOV 06      CHANGE: Departure Procedure

# AERODROME CHART

FREDERICTON INTL  
FREDERICTON NB



# AERODROME CHART

FREDERICTON NB  
FREDERICTON INTL  
NAD83

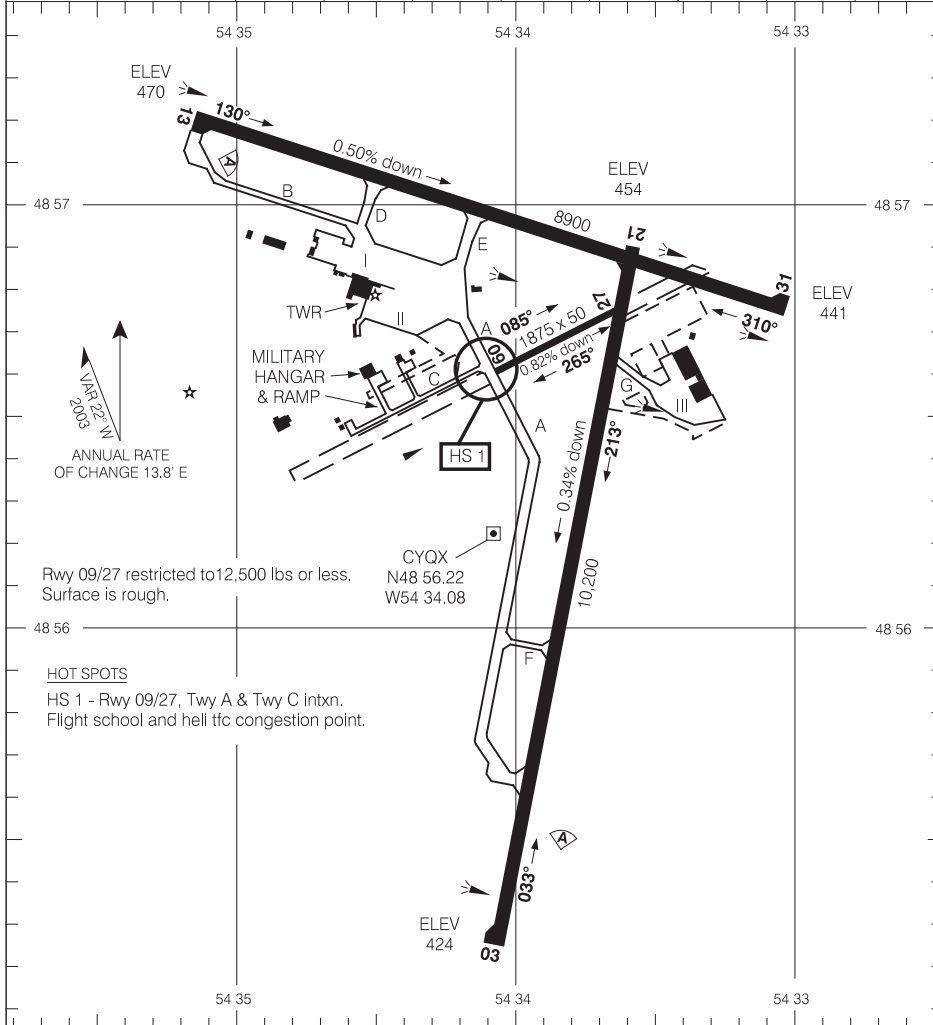
EFF 17 DEC 09 CHANGE: COMM

# AERODROME CHART

GANDER INTL  
GANDER NL

<b>ATIS</b> 124.8	<b>GND</b> 121.9 275.8	<b>TWR</b> 118.1 236.6	<b>DEP</b> 128.5 132.1
----------------------	------------------------------	------------------------------	---------------------------

DECLARED DISTANCES	03	21	09	27	13	31
TORA	10,200	10,200	1875	1875	8900	8900
TODA	10,607	11,184	1875	1875	9527	9884
ASDA	10,500	10,200	2125	1950	8900	8900
LDA	10,200	10,200	1875	1875	8900	8900



ANNUAL RATE OF CHANGE 13.8' E

Rwy 09/27 restricted to 12,500 lbs or less.  
 Surface is rough.

**HOT SPOTS**  
 HS 1 - Rwy 09/27, Twy A & Twy C intxn.  
 Flight school and heli t/c congestion point.

TAKE-OFF MINIMA
Rwys 03, 13, 21, 31: ½
Rwys 09, 27: NOT ASSESSED



Source of Canadian Civil Aeronautical Data : © 2010 NAV CANADA All rights reserved

# AERODROME CHART

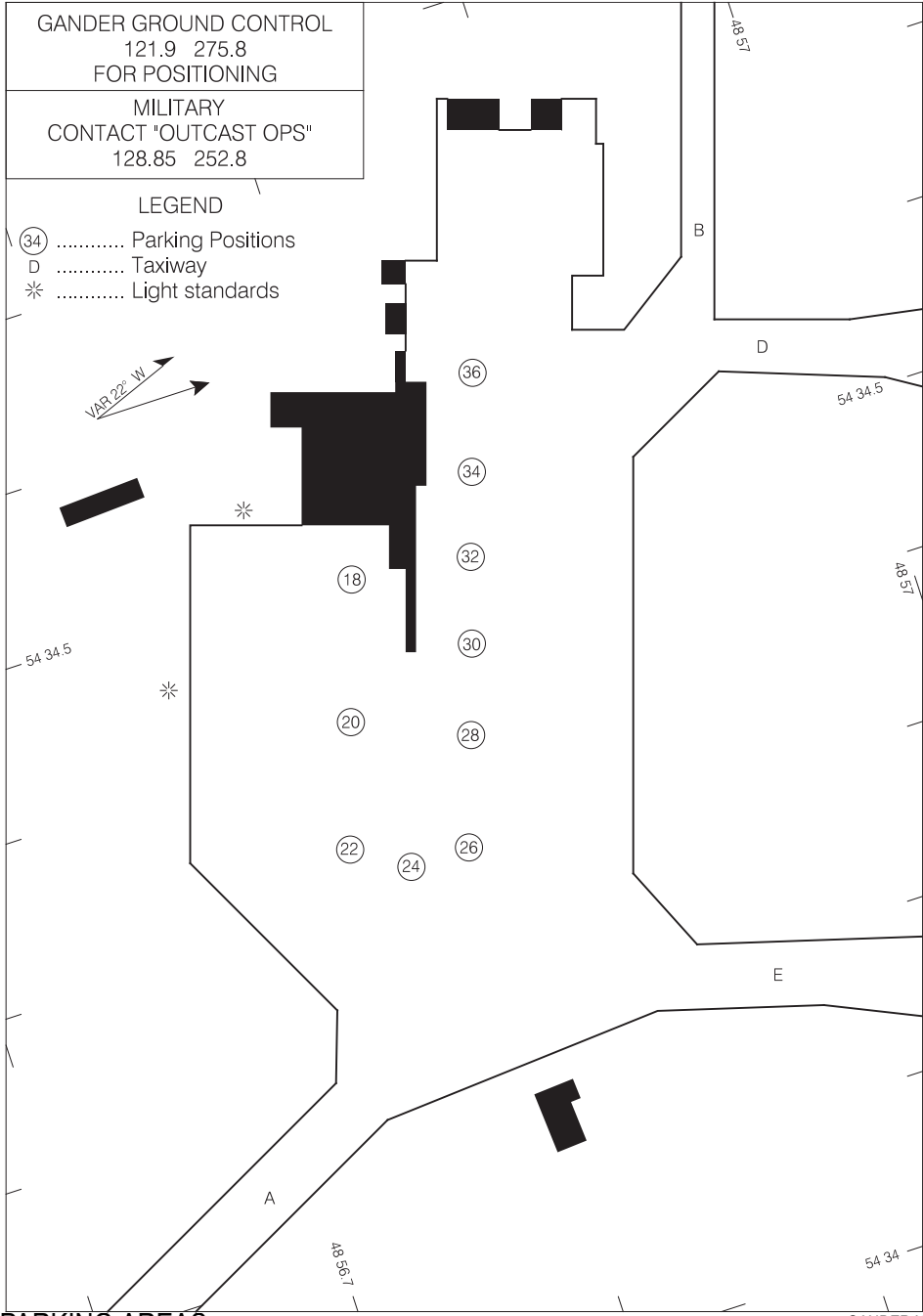
GANDER NL  
GANDER INTL  
NAD83

EFF 27 AUG 09 CHANGE: COMM



**PARKING AREAS**

GANDER INTL  
GANDER NL



GANDER GROUND CONTROL  
121.9 275.8  
FOR POSITIONING

MILITARY  
CONTACT "OUTCAST OPS"  
128.85 252.8

LEGEND

(34) ..... Parking Positions  
D ..... Taxiway  
\* ..... Light standards

Source of Canadian Civil Aeronautical Data : © 2010 NAV CANADA All rights reserved

**PARKING AREAS**

GANDER NL  
GANDER INTL  
NAD83

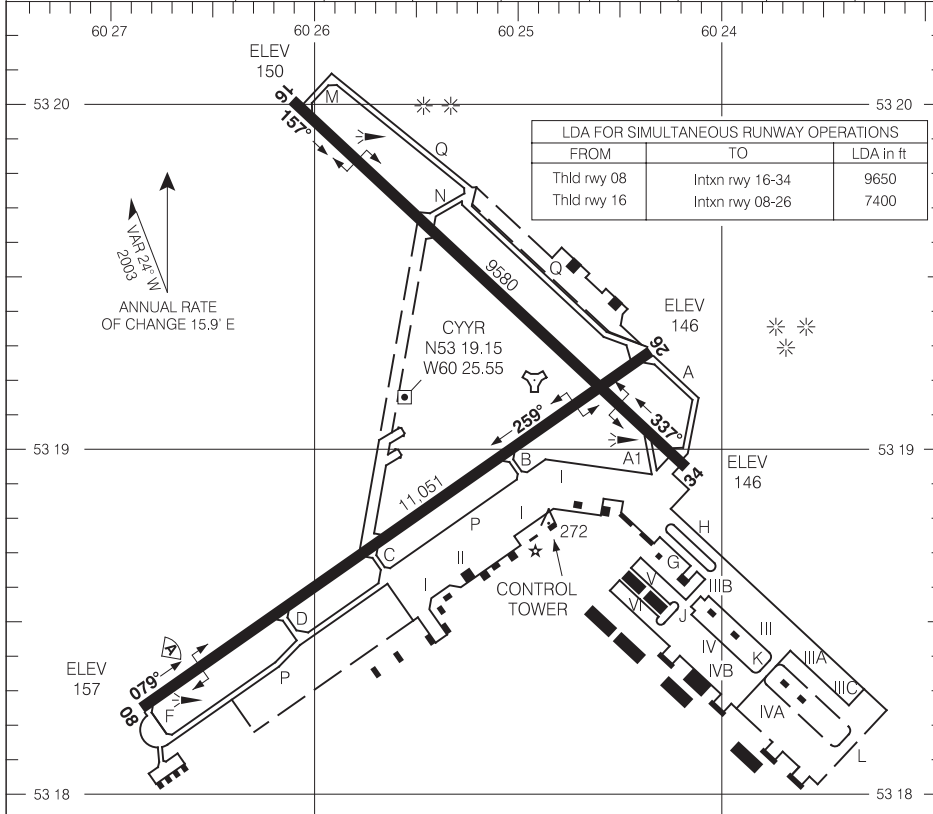
EFF 13 APR 06 CHANGE: Editorial

# AERODROME CHART (DND)

GOOSE BAY  
GOOSE BAY NL

<b>ATIS</b> 128.1 340.8	<b>CLNC DEL</b> 118.1 336.5	<b>GND</b> 121.9 275.8	<b>TWR</b> 119.1 236.6	<b>DEP</b> 119.5 267.1
-------------------------------	-----------------------------------	------------------------------	------------------------------	------------------------------

DECLARED DISTANCES	08	26	16	34
TORA	11,051	11,051	9580	9580
TODA	12,051	12,051	10,580	10,104
ASDA	11,051	11,051	9580	9580
LDA	11,051	11,051	9580	9580



**\* DEPARTURE PROCEDURE**  
Rwys 08, 16 - 1/2 - CLB RWY HDG to **1100** BPOC.  
Rwy 26 - 1/2 - CLB RWY HDG to **1500** BPOC.  
Rwy 34 - 1/2 - Requires a minimum CLB gradient of **220** ft/NM RWY HDG to **1600** BPOC  
-or-  
SPEC VIS - CLB visual to **1600** BPOC

DEPARTURE CLIMB RATE V/V (FPM)	
GROUND SPEED	90 120 140 160 180 200 250 300
220 FT/NM	330 440 520 590 660 740 920 1100

TAKE-OFF MINIMA	SCALE IN FEET
Rwys 08, 16, 26, 34: *	2000 1000 0 2000 4000

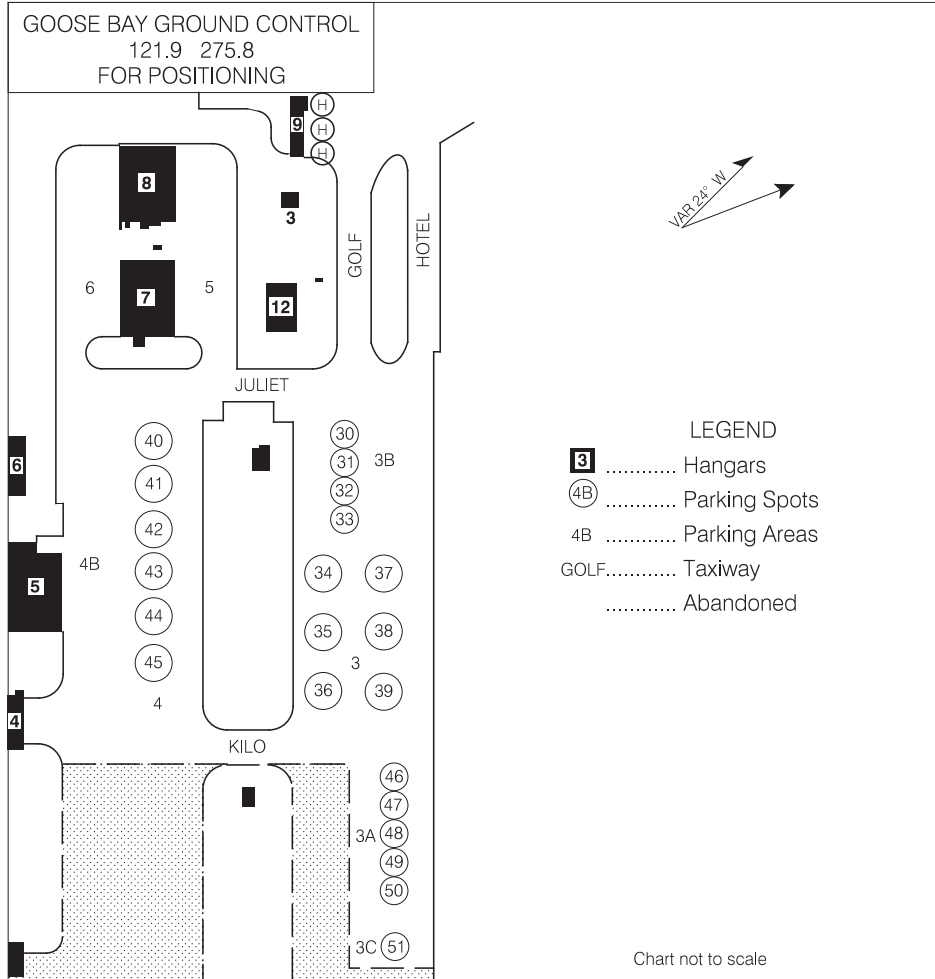
# AERODROME CHART (DND)

GOOSE BAY NL  
GOOSE BAY  
NAD83

EFF 27 AUG 09 CHANGE: VOT deleted

PARKING AREAS (DND)

GOOSE BAY  
GOOSE BAY NL



Source of Canadian Civil Aeronautical Data : © 2010 NAV CANADA All rights reserved

PARKING SPOTS - GPS POINTS

Spot 30 - N53 18 36 W60 24 05  
 Spot 31 - N53 18 35 W60 24 03  
 Spot 32 - N53 18 34 W60 24 00  
 Spot 33 - N53 18 32 W60 23 58  
 Spot 34 - N53 18 30 W60 23 59  
 Spot 35 - N53 18 29 W60 23 57  
 Spot 36 - N53 18 27 W60 23 54  
 Spot 37 - N53 18 31 W60 23 55  
 Spot 38 - N53 18 30 W60 23 52  
 Spot 39 - N53 18 28 W60 23 49

Spot 40 - N53 18 28 W60 24 17  
 Spot 41 - N53 18 27 W60 24 15  
 Spot 42 - N53 18 26 W60 24 13  
 Spot 43 - N53 18 25 W60 24 11  
 Spot 44 - N53 18 24 W60 24 08  
 Spot 45 - N53 18 23 W60 24 06  
 Spot 46 - N53 18 25 W60 23 43  
 Spot 47 - N53 18 24 W60 23 41  
 Spot 48 - N53 18 23 W60 23 39  
 Spot 49 - N53 18 21 W60 23 37  
 Spot 50 - N53 18 20 W60 23 34  
 Spot 51 - N53 18 16 W60 23 16

PARKING AREAS (DND)

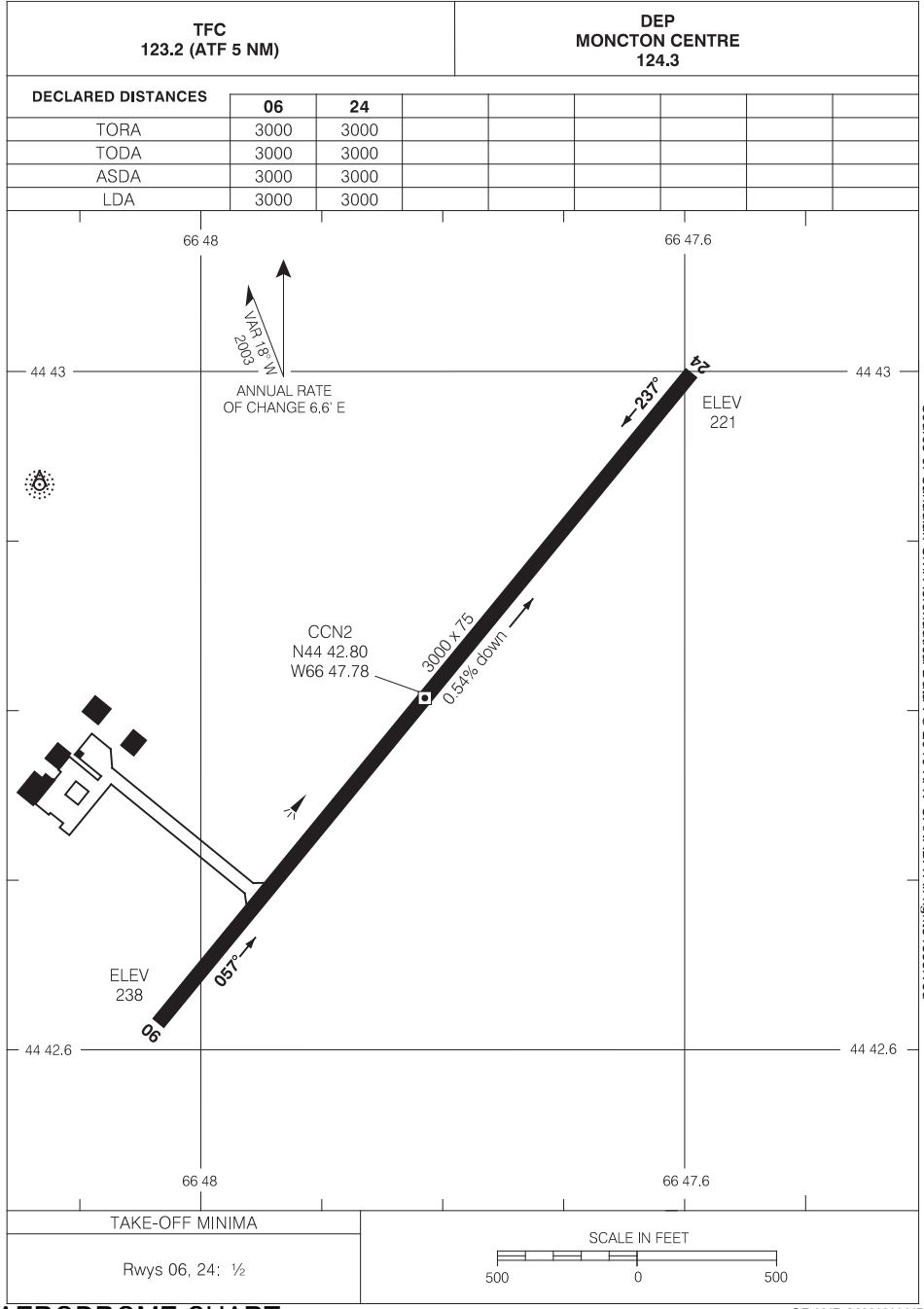
GOOSE BAY NL  
GOOSE BAY  
NAD83

EFF 5 JUL 07

CHANGE: Parking spot 51 added

# AERODROME CHART

GRAND MANAN  
GRAND MANAN NB



Source of Canadian Civil Aeronautical Data : © 2010 NAV CANADA All rights reserved

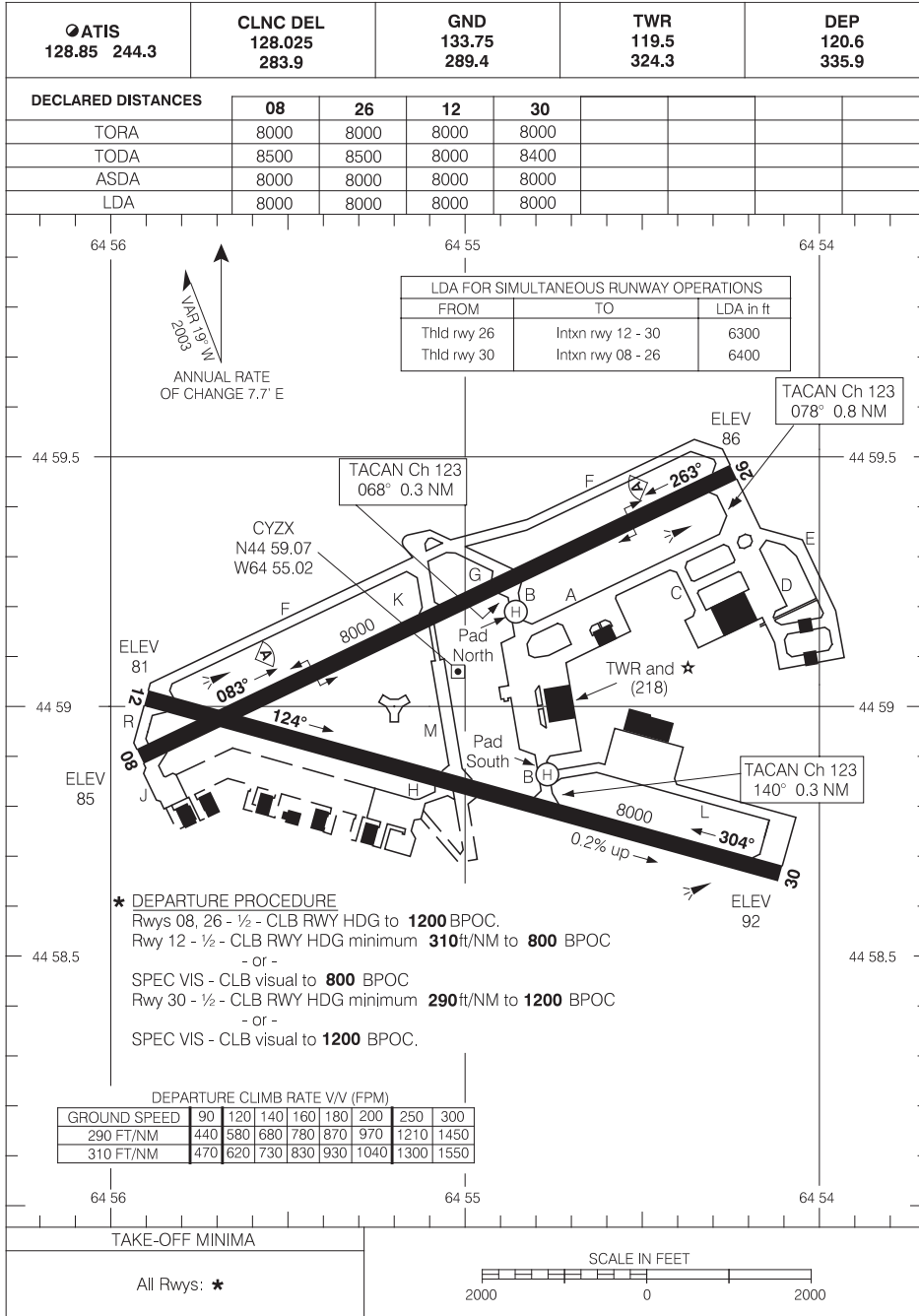
# AERODROME CHART

GRAND MANAN NB  
GRAND MANAN  
NAD83

EFF 25 SEP 08 CHANGE: Windsock symbol

# AERODROME CHART (DND)

GREENWOOD  
GREENWOOD NS



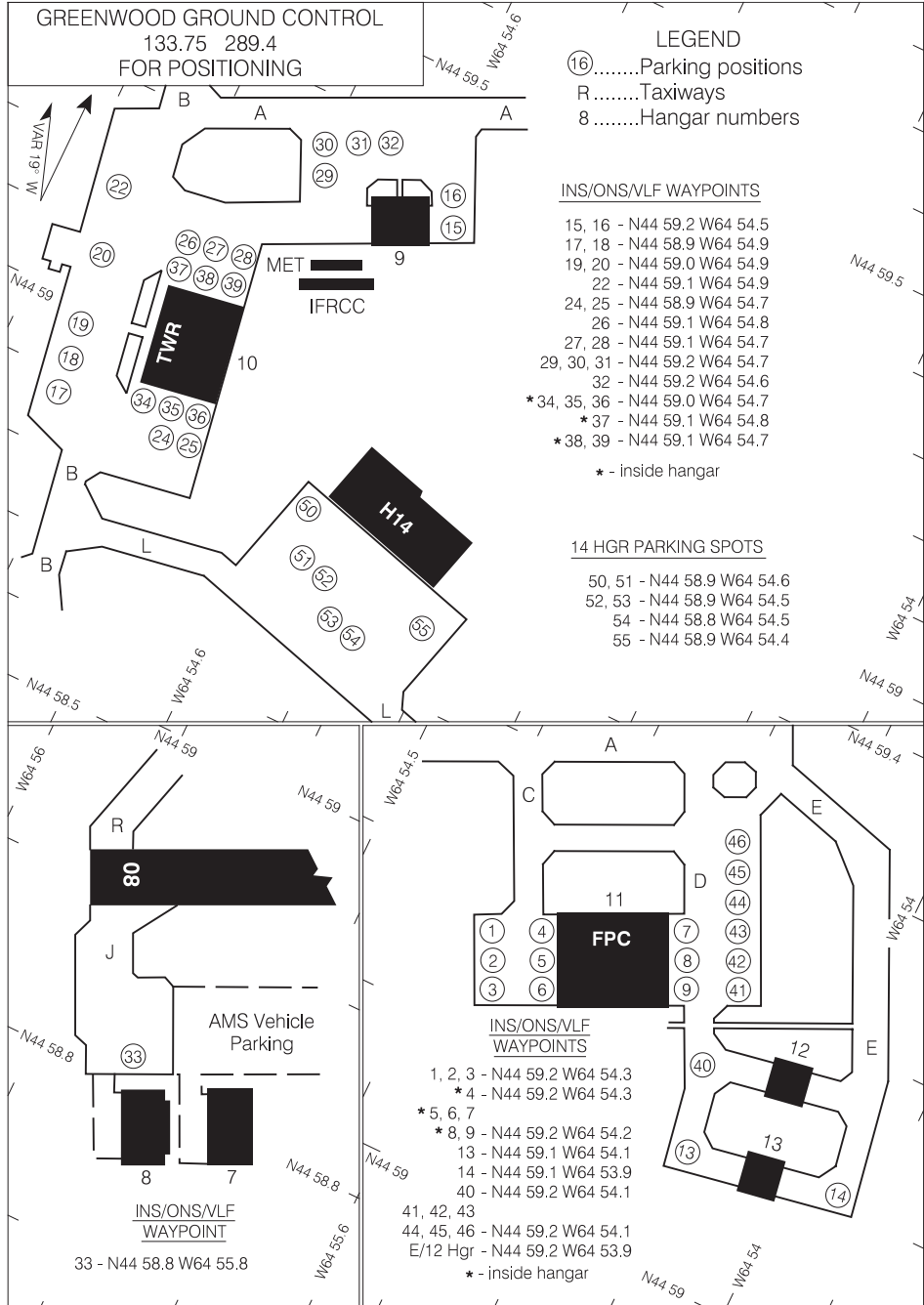
# AERODROME CHART (DND)

GREENWOOD NS  
GREENWOOD  
NAD83

EFF 20 DEC 07 CHANGE: Twy M

**PARKING AREAS (DND)**

GREENWOOD  
GREENWOOD NS



Source of Canadian Civil Aeronautical Data : © 2010 NAV CANADA All rights reserved

**PARKING AREAS (DND)**

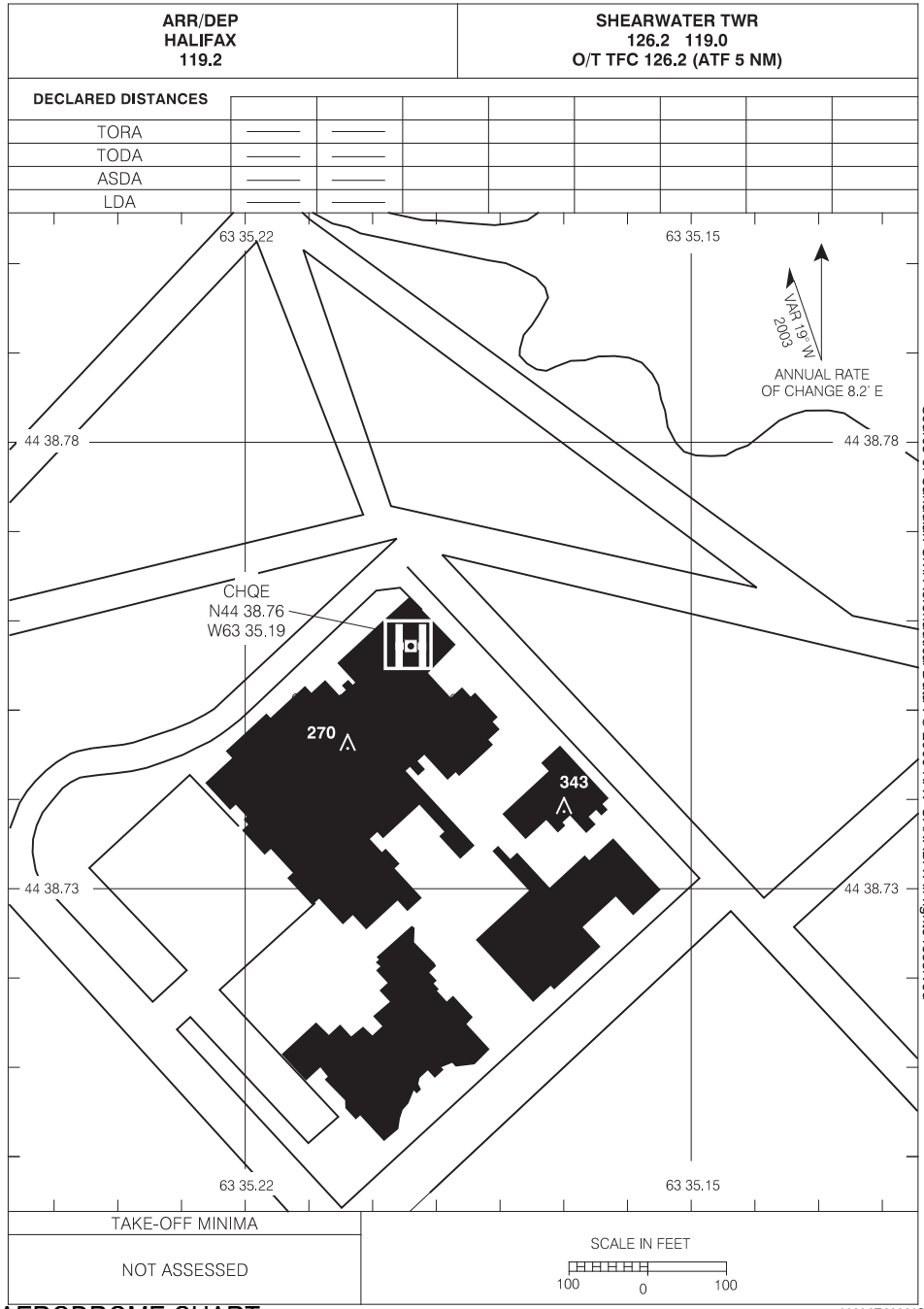
GREENWOOD NS  
GREENWOOD  
NAD83

EFF 2 JUL 09

CHANGE: H14 & TWR parking spots

# AERODROME CHART

HALIFAX (QUEEN ELIZABETH II HEALTH SCIENCE CENTRE) (Heli)  
 HALIFAX NS



# AERODROME CHART

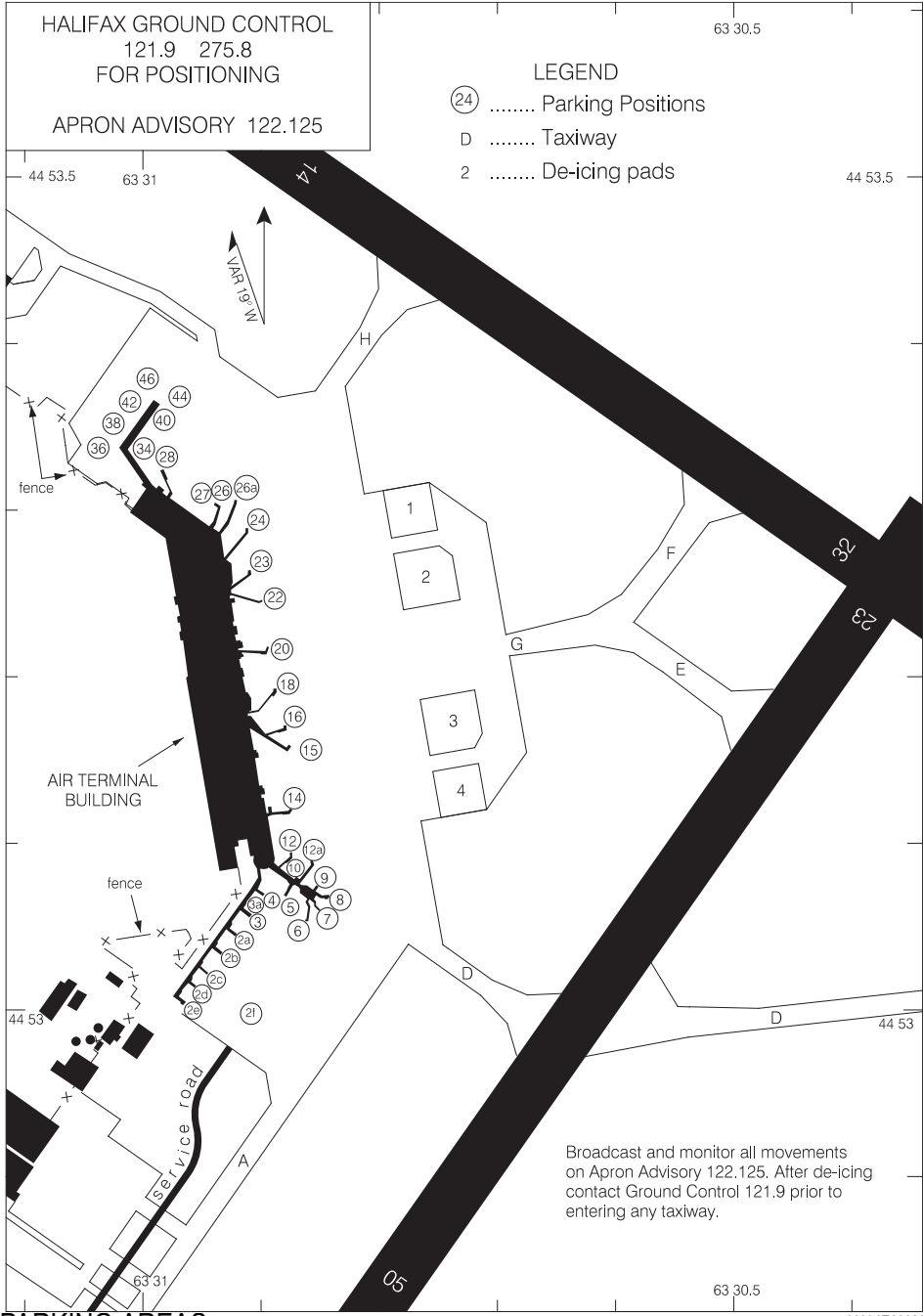
HALIFAX (QUEEN ELIZABETH II HEALTH SCIENCE CENTRE) (Heli)  
 HALIFAX NS  
 NAD83

EFF 17 DEC 09 CHANGE: Comm





**PARKING AREAS**



Source of Canadian Civil Aeronautical Data : © 2010 NAV CANADA All rights reserved

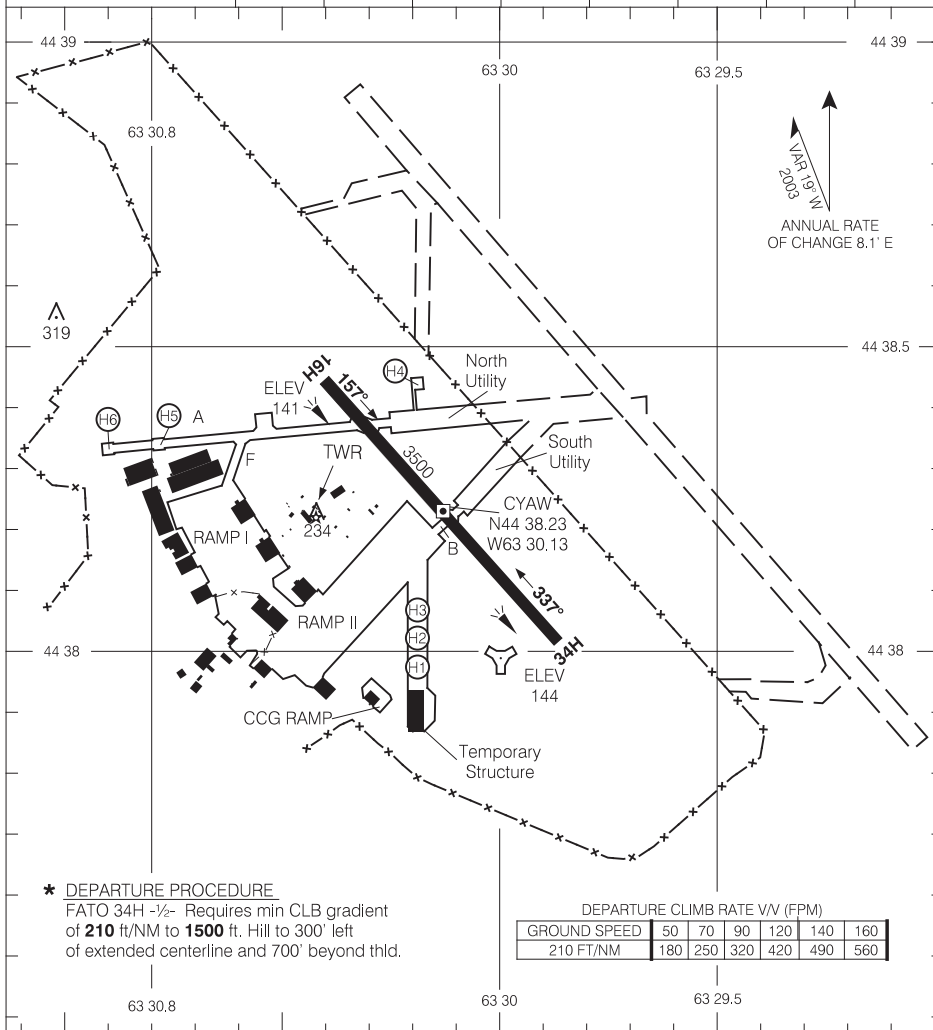
**PARKING AREAS**

HALIFAX/SHEARWATER  
HALIFAX NS

# HELIPORT CHART (DND)

● <b>ATIS</b> 129.175	● <b>GND</b> 121.7 250.1	● <b>TWR</b> 126.2 340.2 O/T TFC 126.2 (ATF 5 NM)	<b>DEP</b> <b>HALIFAX</b> 119.2
--------------------------	--------------------------------	---	---------------------------------------

DECLARED DISTANCES	16H	34H					
TODAH	3500	3500					
RTODAH	3500	3500					
LDAH	3500	3500					



Source of Canadian Civil Aeronautical Data : © 2010 NAV CANADA All rights reserved

# HELIPORT CHART (DND)

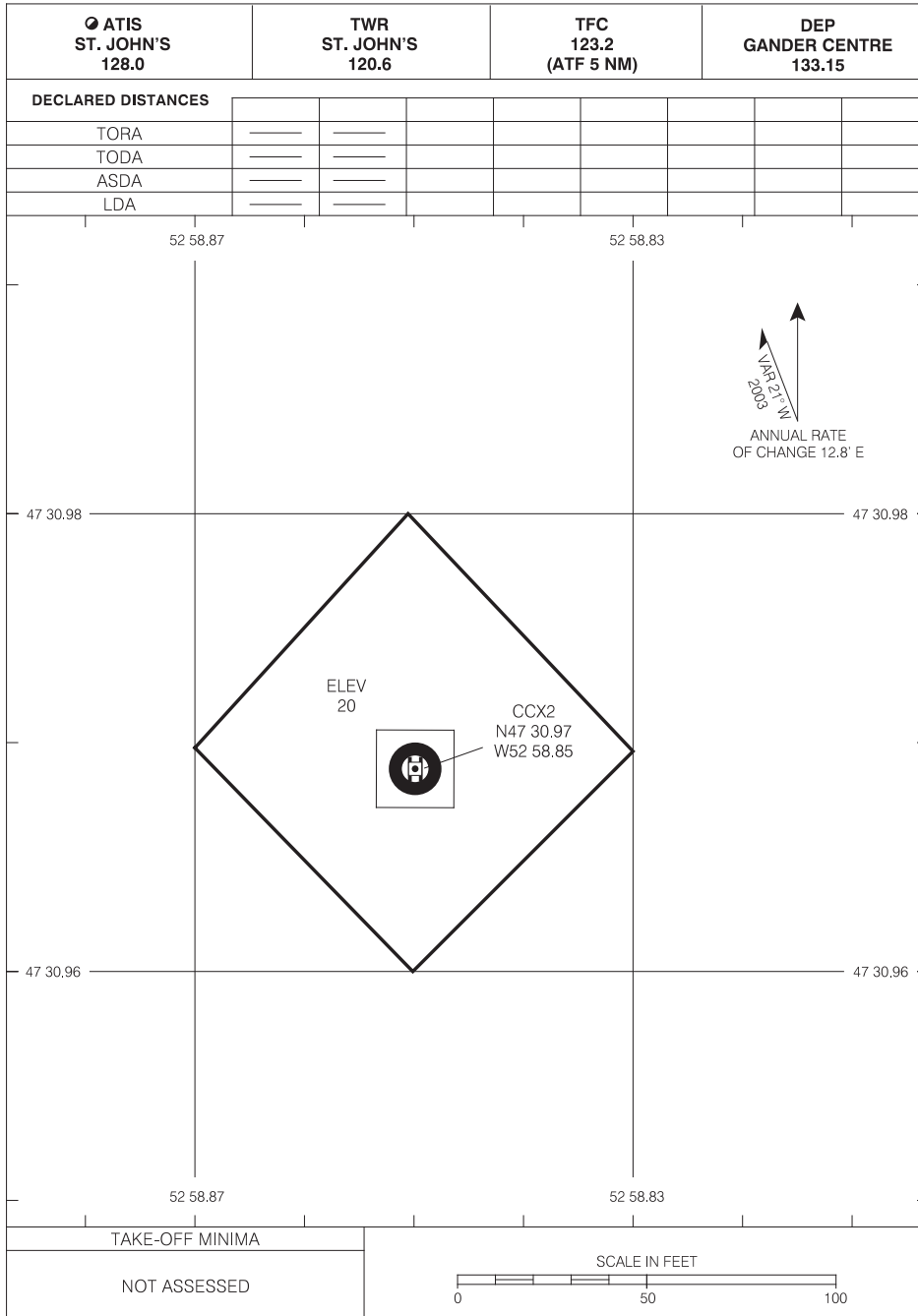
HALIFAX NS  
HALIFAX/SHEARWATER  
NAD83

EFF 27 AUG 09 CHANGE: COMM



# AERODROME CHART

LONG POND  
LONG POND NL



Source of Canadian Civil Aeronautical Data : © 2009 NAV CANADA All rights reserved

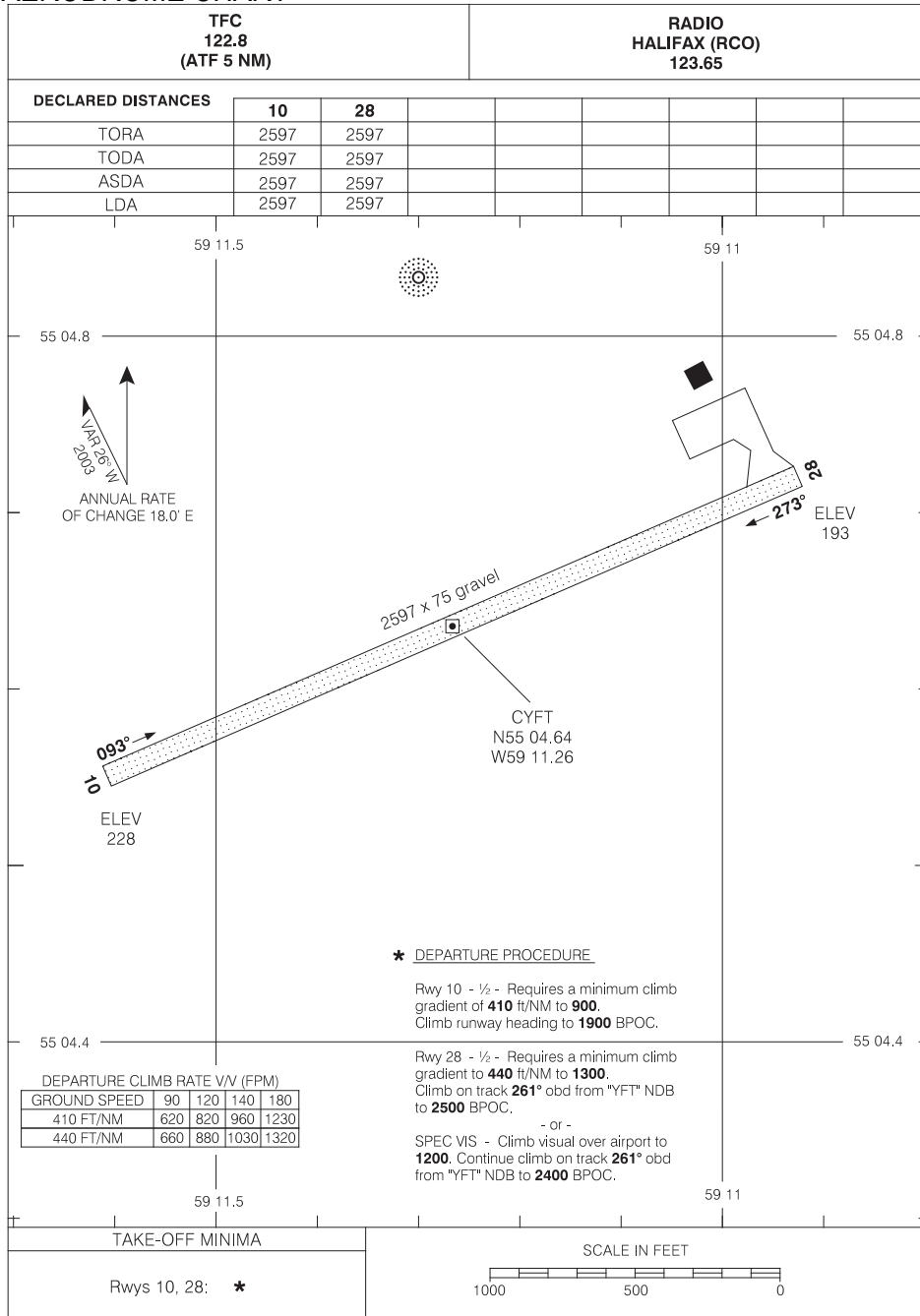
# AERODROME CHART

LONG POND NL  
LONG POND  
NAD83

EFF 2 JUL 09 CHANGE: New A/D chart

# AERODROME CHART

MAKKOVIK  
MAKKOVIK NL



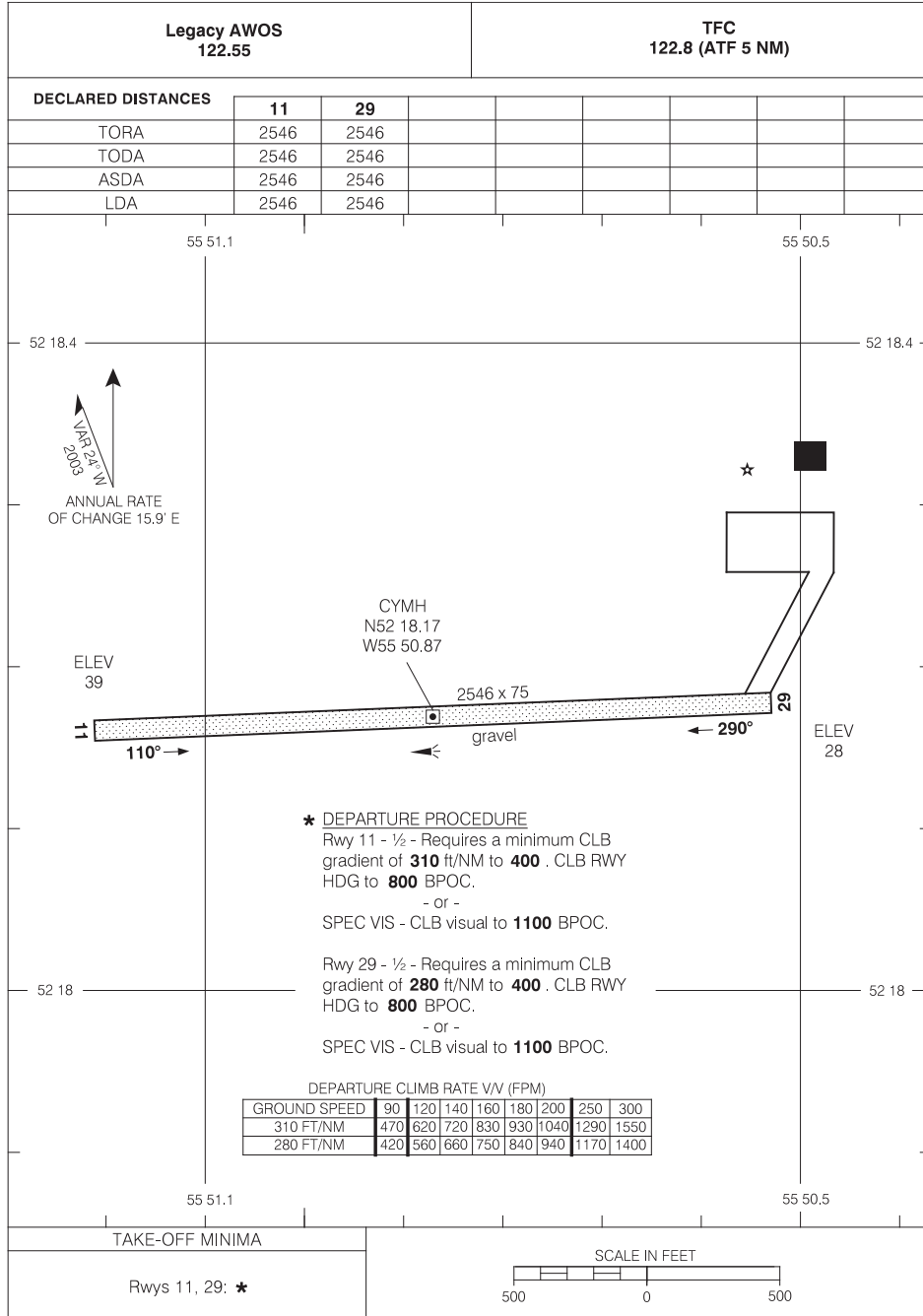
# AERODROME CHART

MAKKOVIK NL  
MAKKOVIK  
NAD83

EFF 14 FEB 08      CHANGE: New A/D chart

# AERODROME CHART

MARY'S HARBOUR  
MARY'S HARBOUR NL



Source of Canadian Civil Aeronautical Data : © 2010 NAV CANADA All rights reserved

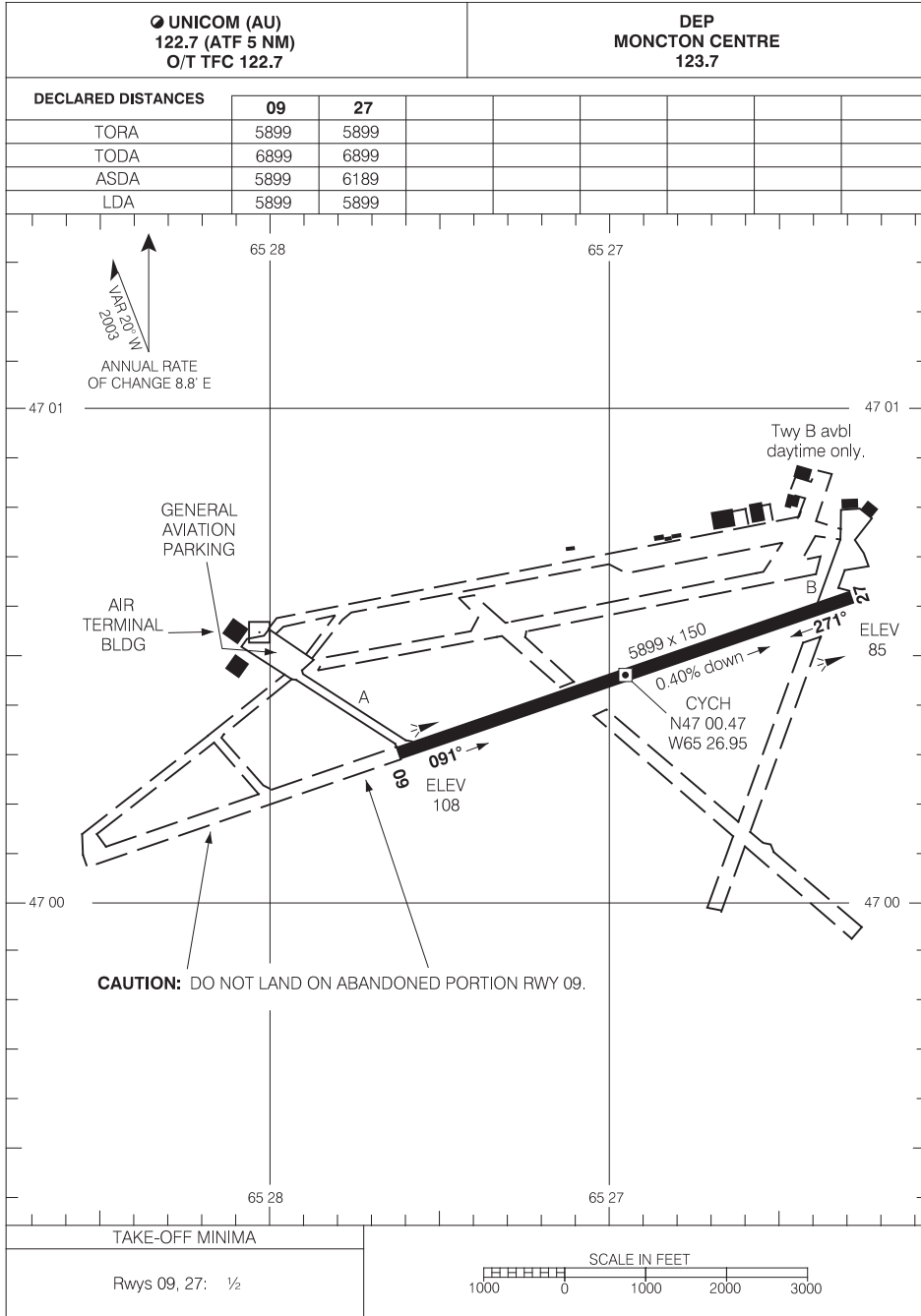
# AERODROME CHART

MARY'S HARBOUR NL  
MARY'S HARBOUR  
NAD83

EFF 20 NOV 08 CHANGE: AWOS

# AERODROME CHART

MIRAMICHI  
MIRAMICHI NB



Source of Canadian Civil Aeronautical Data : © 2010 NAV CANADA All rights reserved

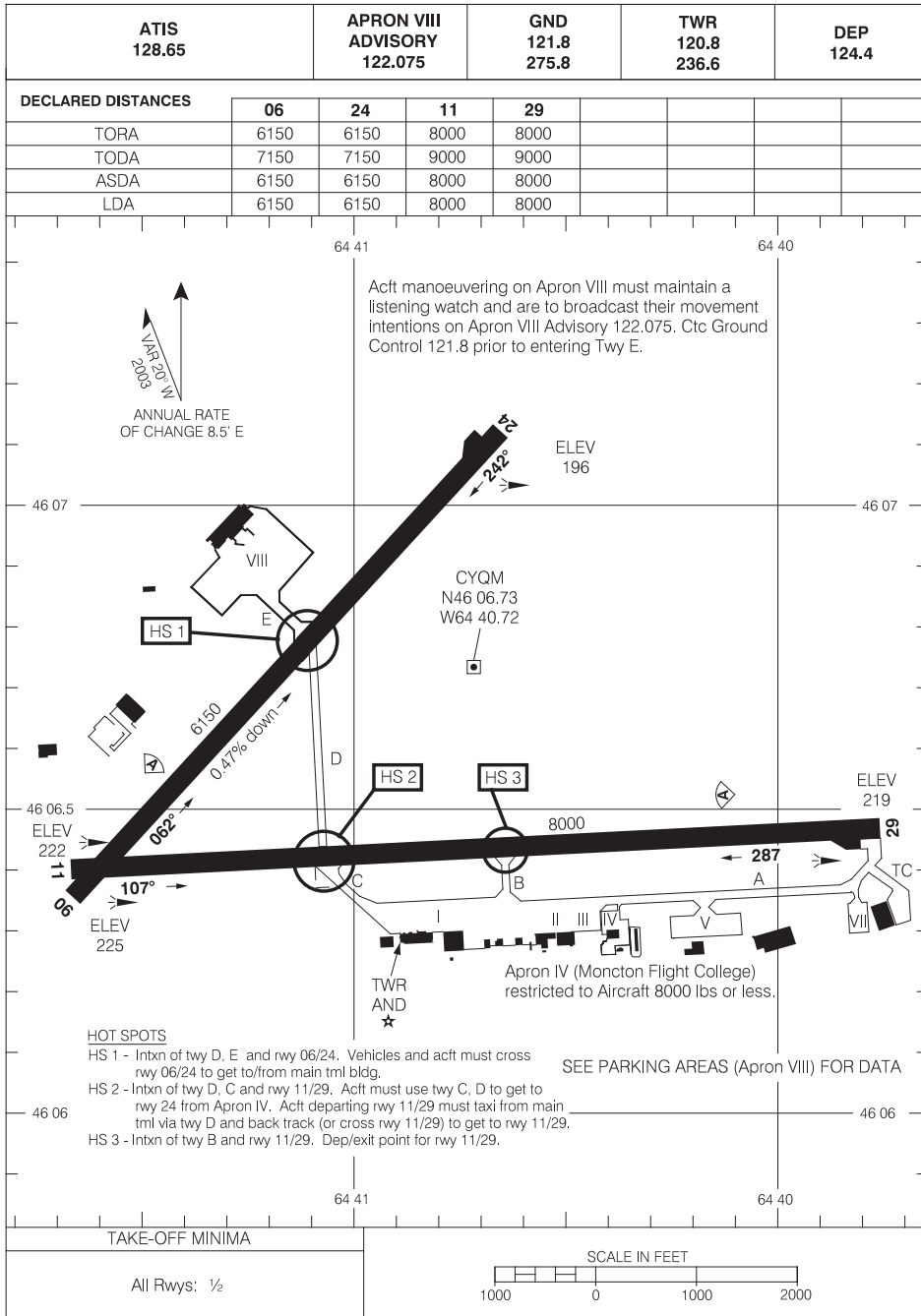
# AERODROME CHART

MIRAMICHI NB  
MIRAMICHI  
NAD83

EFF 12 MAR 09 CHANGE: Declared distances

# AERODROME CHART

MONCTON/GREATER MONCTON INTL  
MONCTON NB



Source of Canadian Civil Aeronautical Data : © 2010 NAV CANADA All rights reserved

# AERODROME CHART

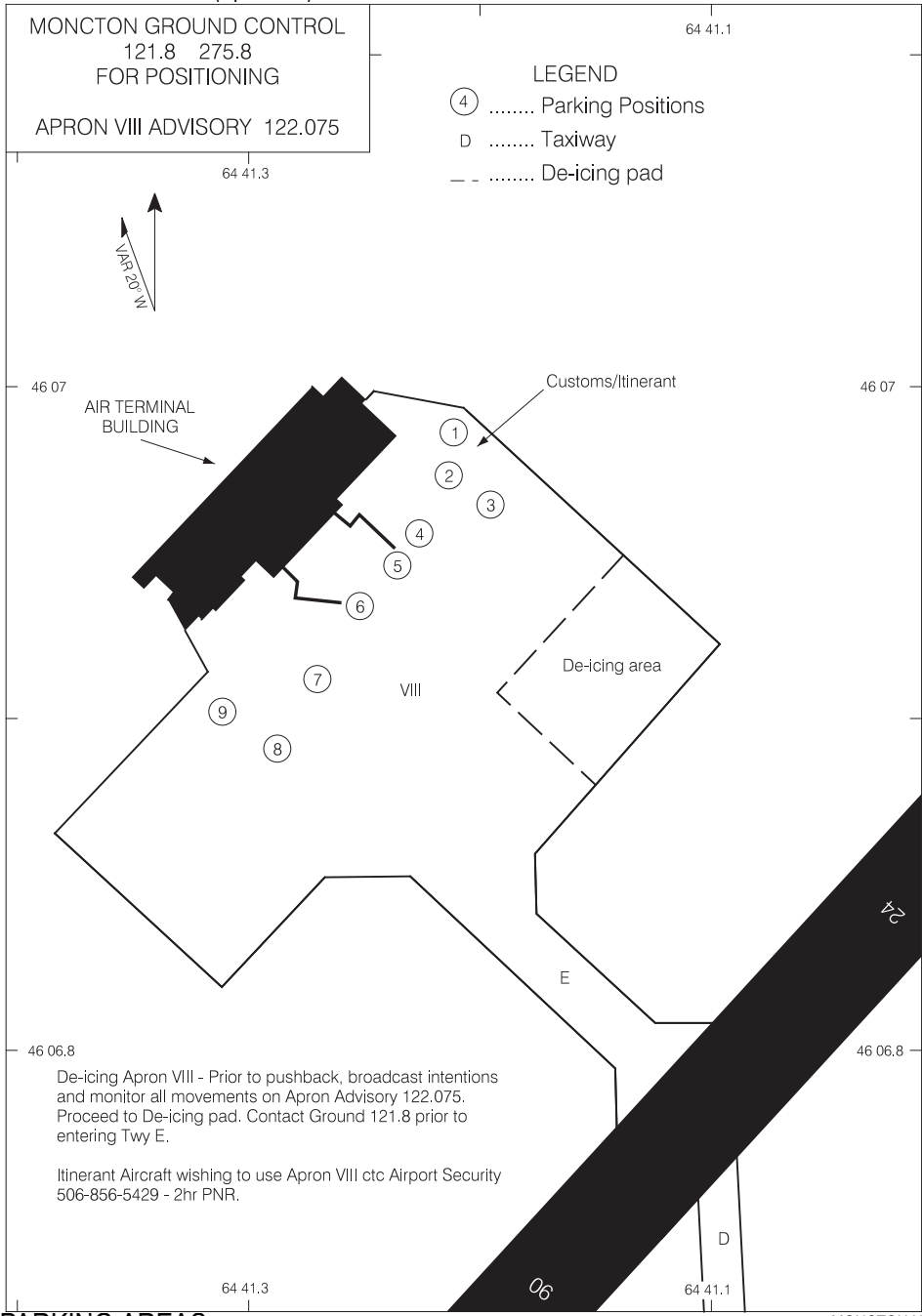
MONCTON NB  
MONCTON/GREATER MONCTON INTL  
NAD83

EFF 27 AUG 09 CHANGE: COMM



**PARKING AREAS (Apron VIII)**

MONCTON/GREATER MONCTON INTL  
MONCTON NB



Source of Canadian Civil Aeronautical Data : © 2010 NAV CANADA All rights reserved

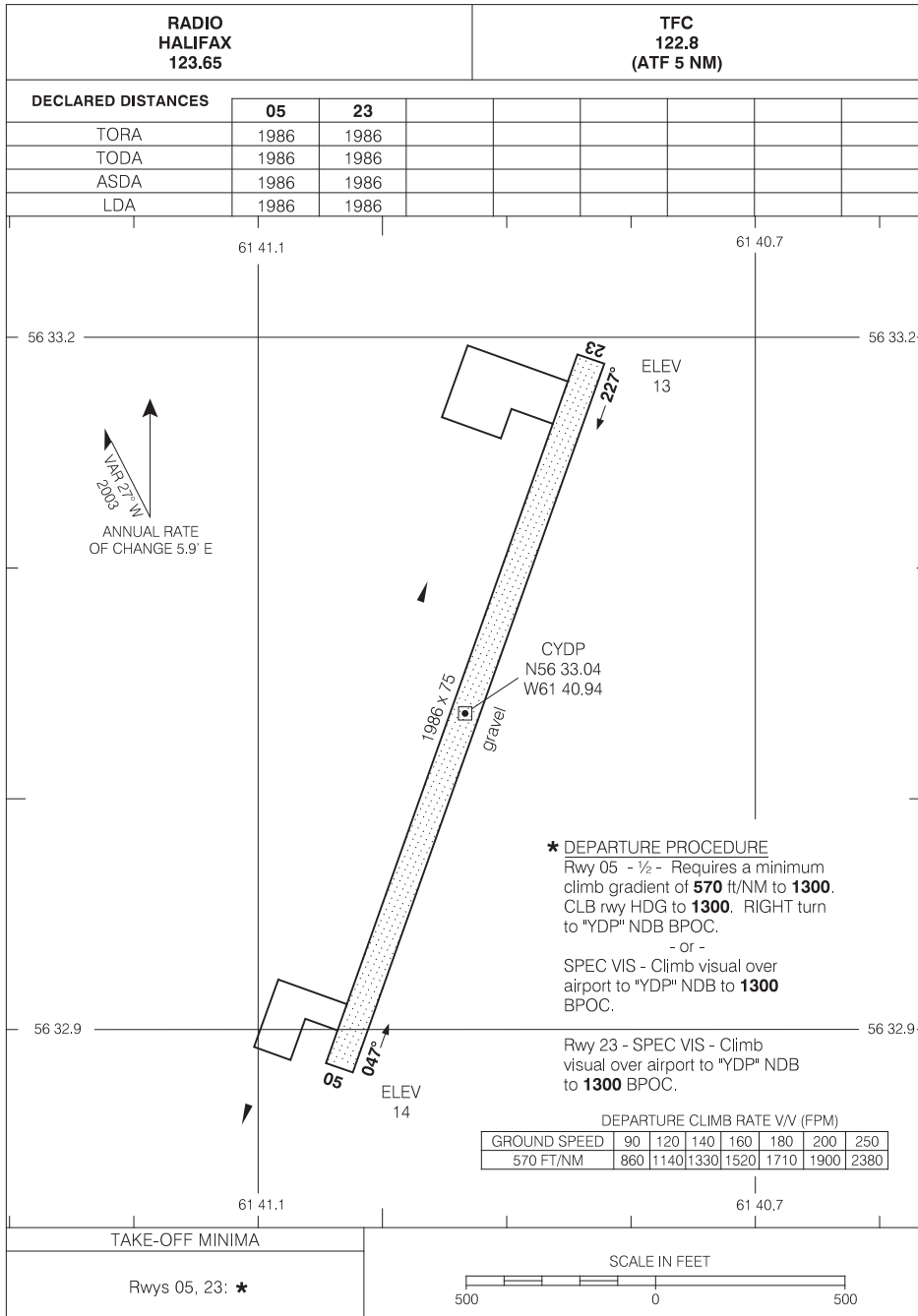
**PARKING AREAS (Apron VIII)**

MONCTON NB  
MONCTON/GREATER MONCTON INTL  
NAD83

EFF 13 APR 06 CHANGE: Editorial

# AERODROME CHART

NAIN  
NAIN NL



Source of Canadian Civil Aeronautical Data : © 2010 NAV CANADA All rights reserved

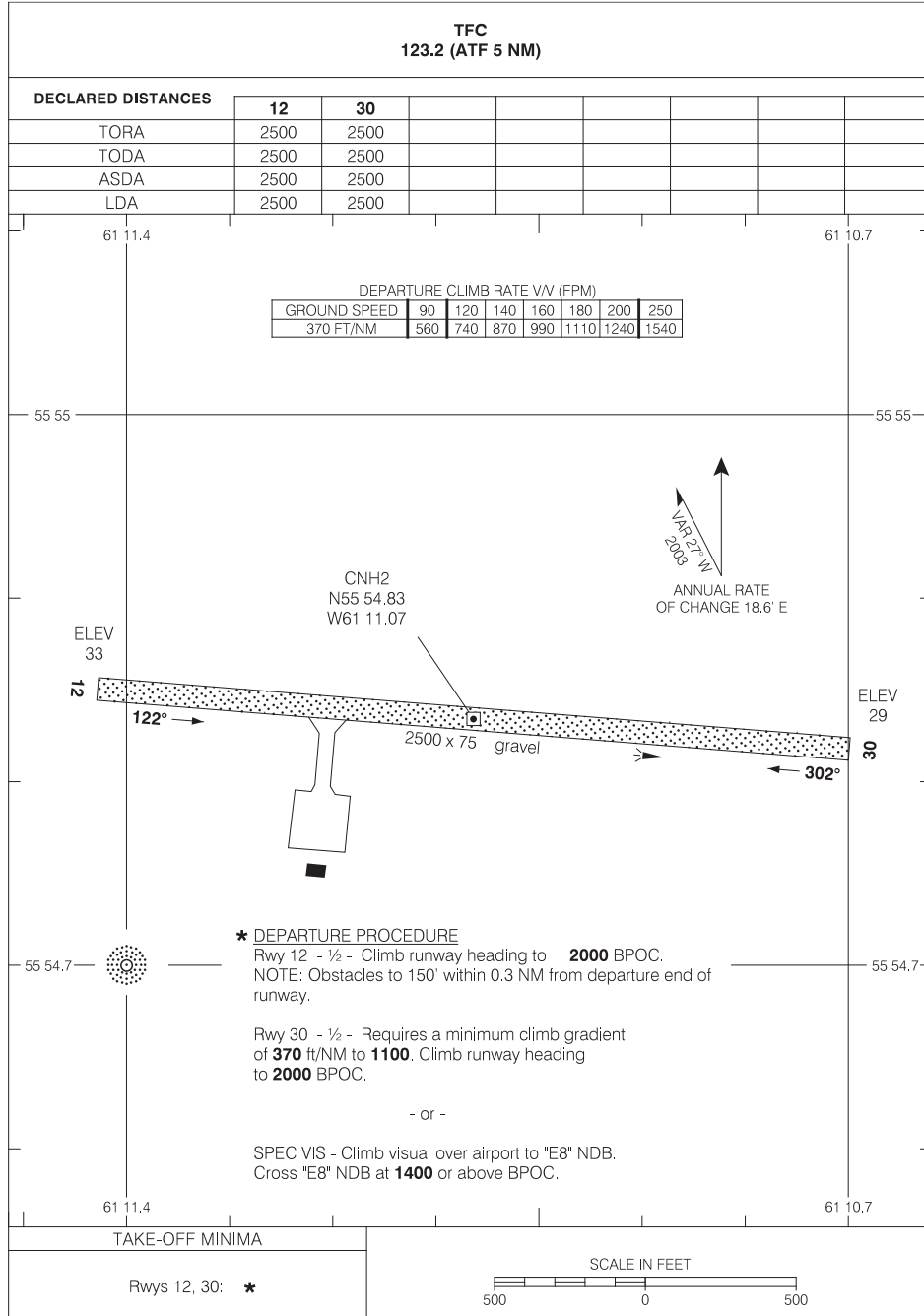
# AERODROME CHART

NAIN NL  
NAIN  
NAD83

EFF 14 FEB 08 CHANGE: New A/D chart

# AERODROME CHART

NATUASHISH  
NATUASHISH NL



Source of Canadian Civil Aeronautical Data : © 2010 NAV CANADA All rights reserved

# AERODROME CHART

NATUASHISH NL  
NATUASHISH  
NAD83

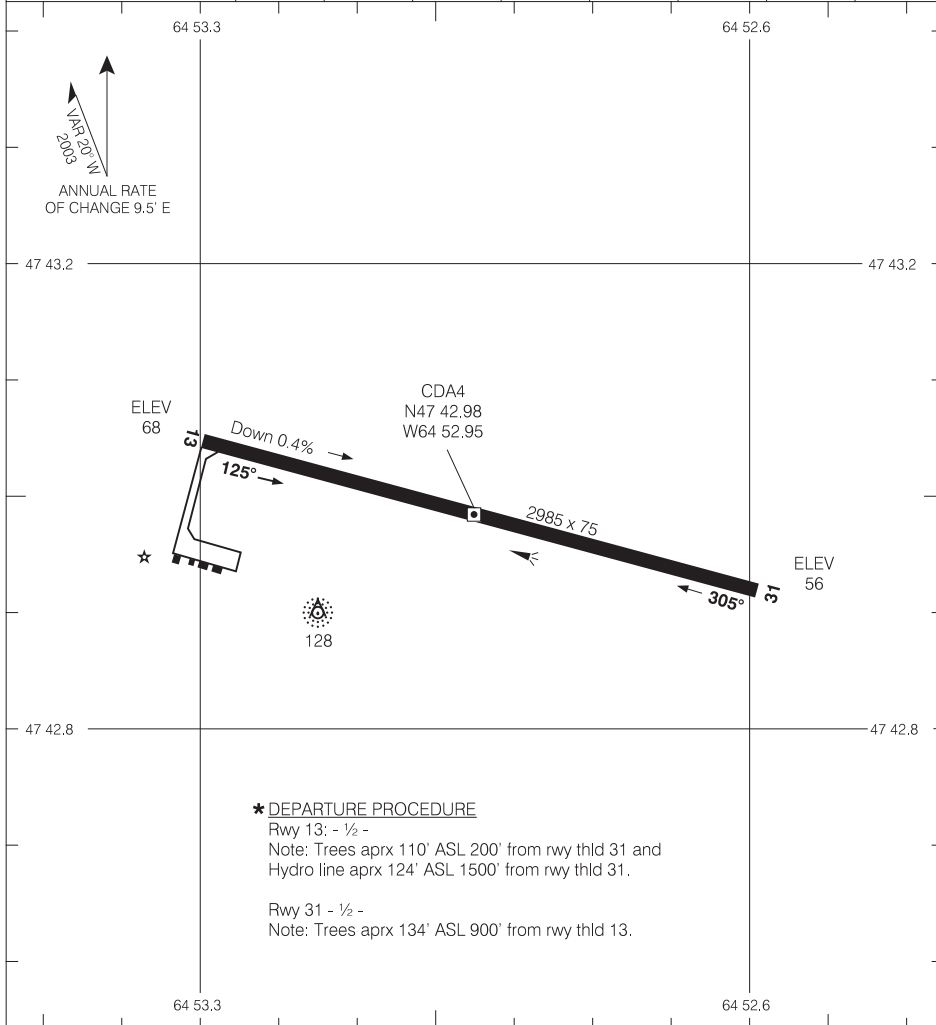
EFF 27 OCT 07 CHANGE: New A/D chart

# AERODROME CHART

POKEMOUCHE  
POKEMOUCHE NB

<b>UNICOM</b> <b>123.0 (ATF 5 NM)</b> <b>O/T TFC 123.0</b>	<b>RADIO (DRCO)</b> <b>QUEBEC</b> <b>123.475 126.7</b>	<b>DEP</b> <b>MONCTON CENTRE</b> <b>134.25</b>
--	--	--

DECLARED DISTANCES	13	31						
TORA	2985	2985						
TODA	2985	2985						
ASDA	2985	2985						
LDA	2985	2985						



Source of Canadian Civil Aeronautical Data : © 2010 NAV CANADA All rights reserved

**\* DEPARTURE PROCEDURE**  
 Rwy 13: - 1/2 -  
 Note: Trees aprx 110' ASL 200' from rwy thld 31 and  
 Hydro line aprx 124' ASL 1500' from rwy thld 31.  
 Rwy 31 - 1/2 -  
 Note: Trees aprx 134' ASL 900' from rwy thld 13.

TAKE-OFF MINIMA	SCALE IN FEET
Rwys 13, 31: *	

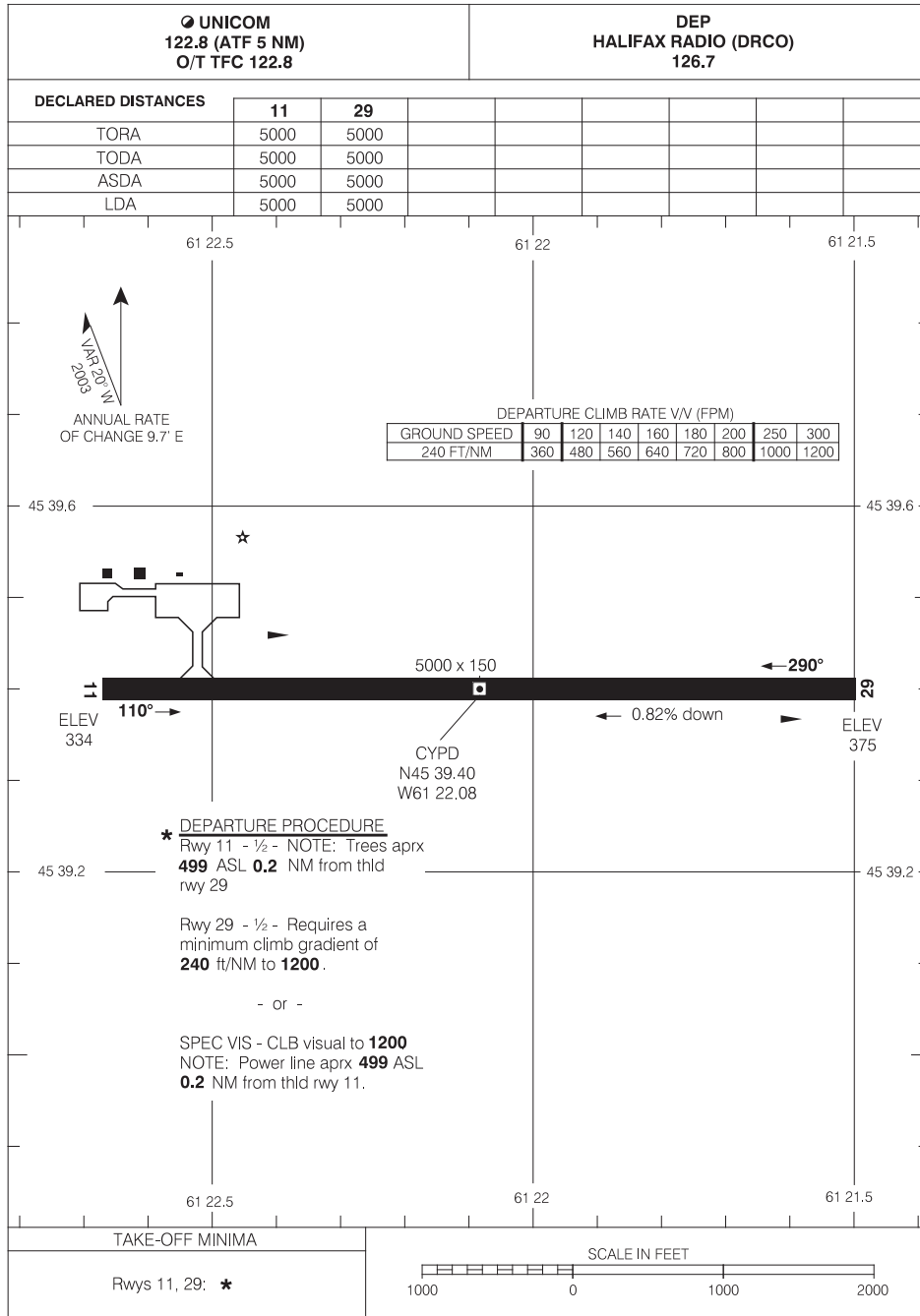
# AERODROME CHART

POKEMOUCHE NB  
POKEMOUCHE  
NAD83

EFF 11 FEB 10 CHANGE: Revised

# AERODROME CHART

PORT HAWKESBURY  
PORT HAWKESBURY NS



Source of Canadian Civil Aeronautical Data : © 2010 NAV CANADA All rights reserved

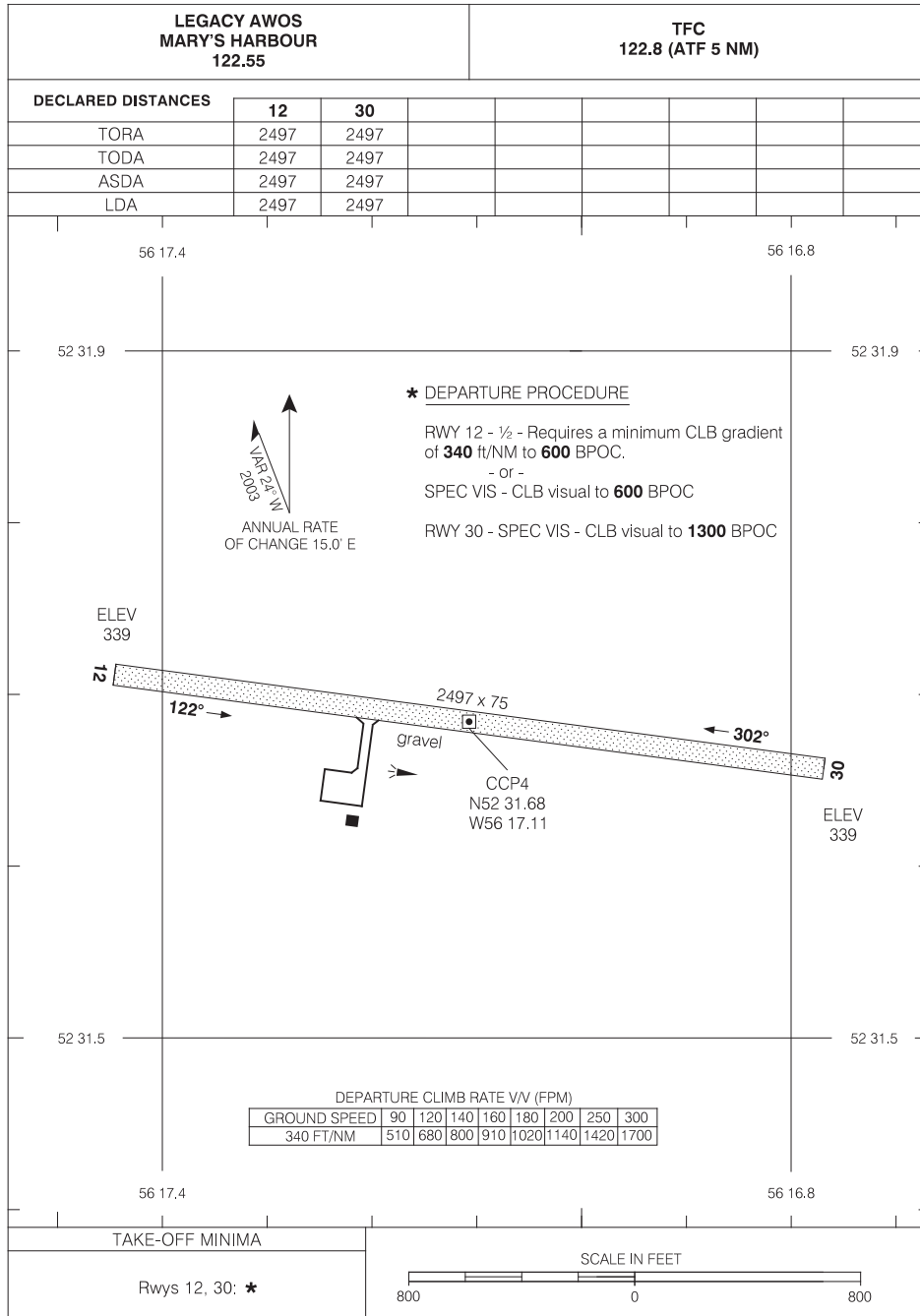
# AERODROME CHART

PORT HAWKESBURY NS  
PORT HAWKESBURY  
NAD83

EFF 5 JUL 07      CHANGE: Dep Proc; Minima

# AERODROME CHART

PORT HOPE SIMPSON  
PORT HOPE SIMPSON NL



Source of Canadian Civil Aeronautical Data : © 2010 NAV CANADA All rights reserved

# AERODROME CHART

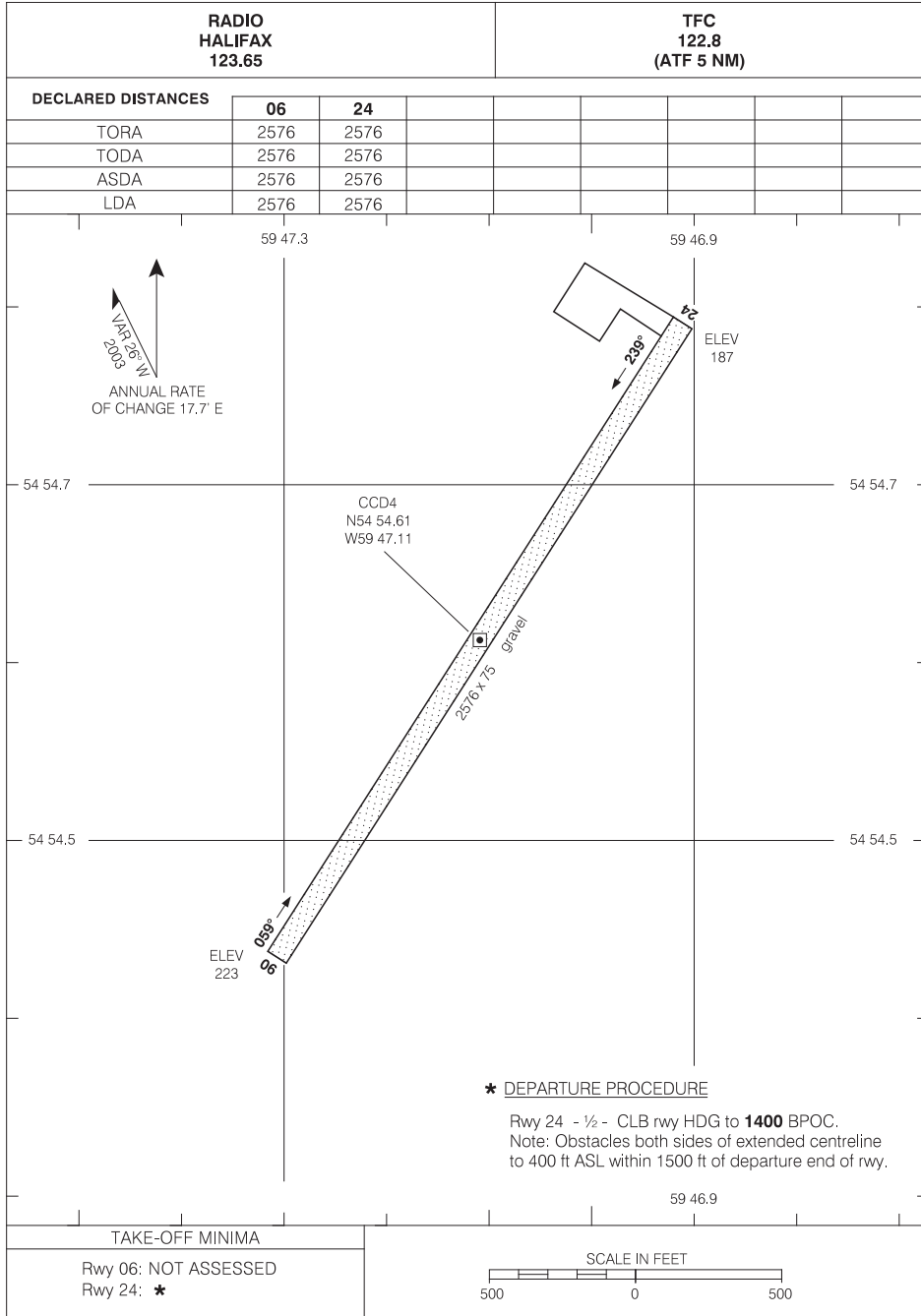
PORT HOPE SIMPSON NL  
PORT HOPE SIMPSON  
NAD83

EFF 7 MAY 09

CHANGE: Revised

# AERODROME CHART

POSTVILLE  
POSTVILLE NL



Source of Canadian Civil Aeronautical Data : © 2010 NAV CANADA All rights reserved

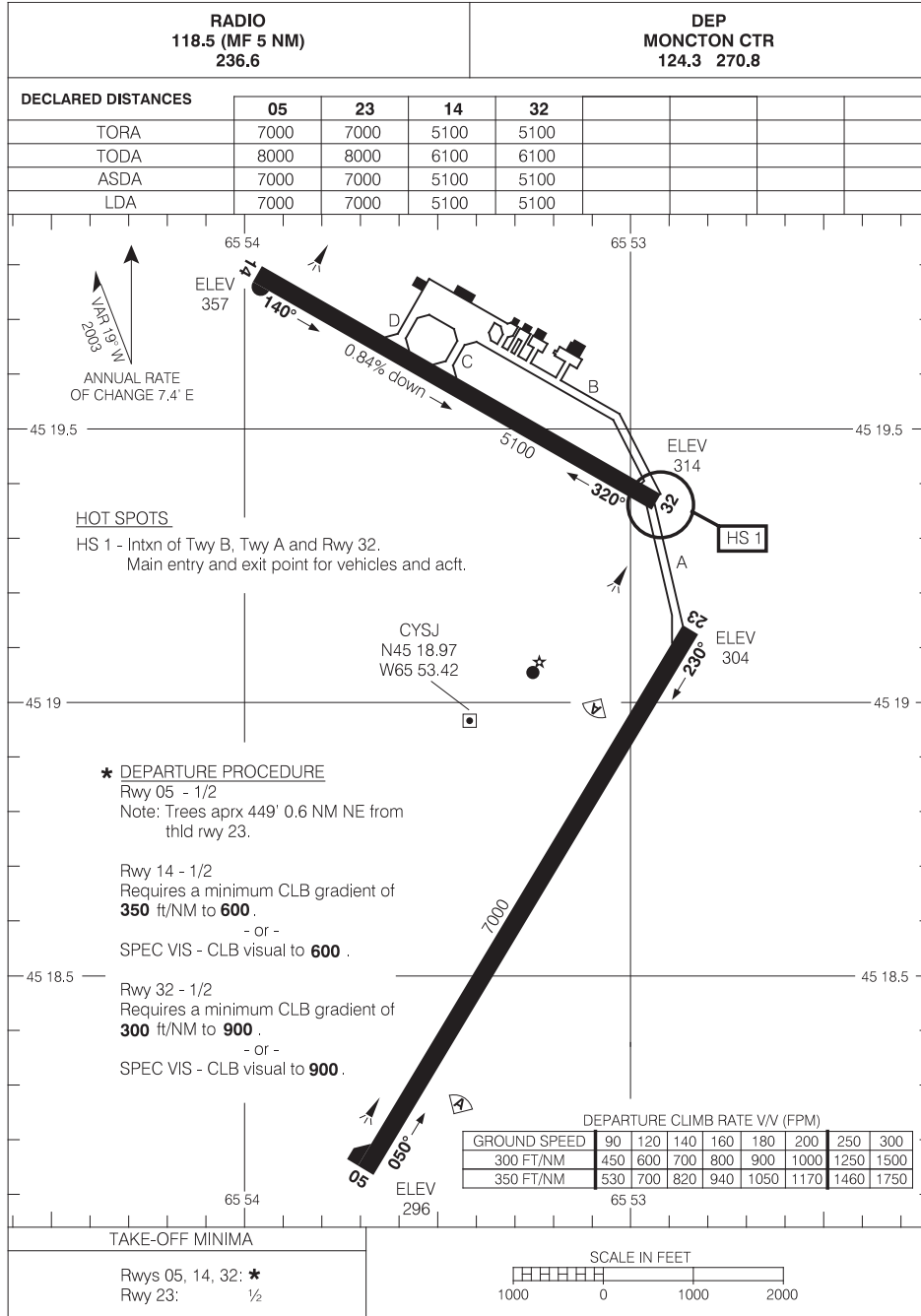
# AERODROME CHART

POSTVILLE NL  
POSTVILLE  
NAD83

EFF 20 DEC 07 CHANGE: New A/D chart

# AERODROME CHART

SAINT JOHN  
SAINT JOHN NB



# AERODROME CHART

SAINT JOHN NB  
SAINT JOHN  
NAD83

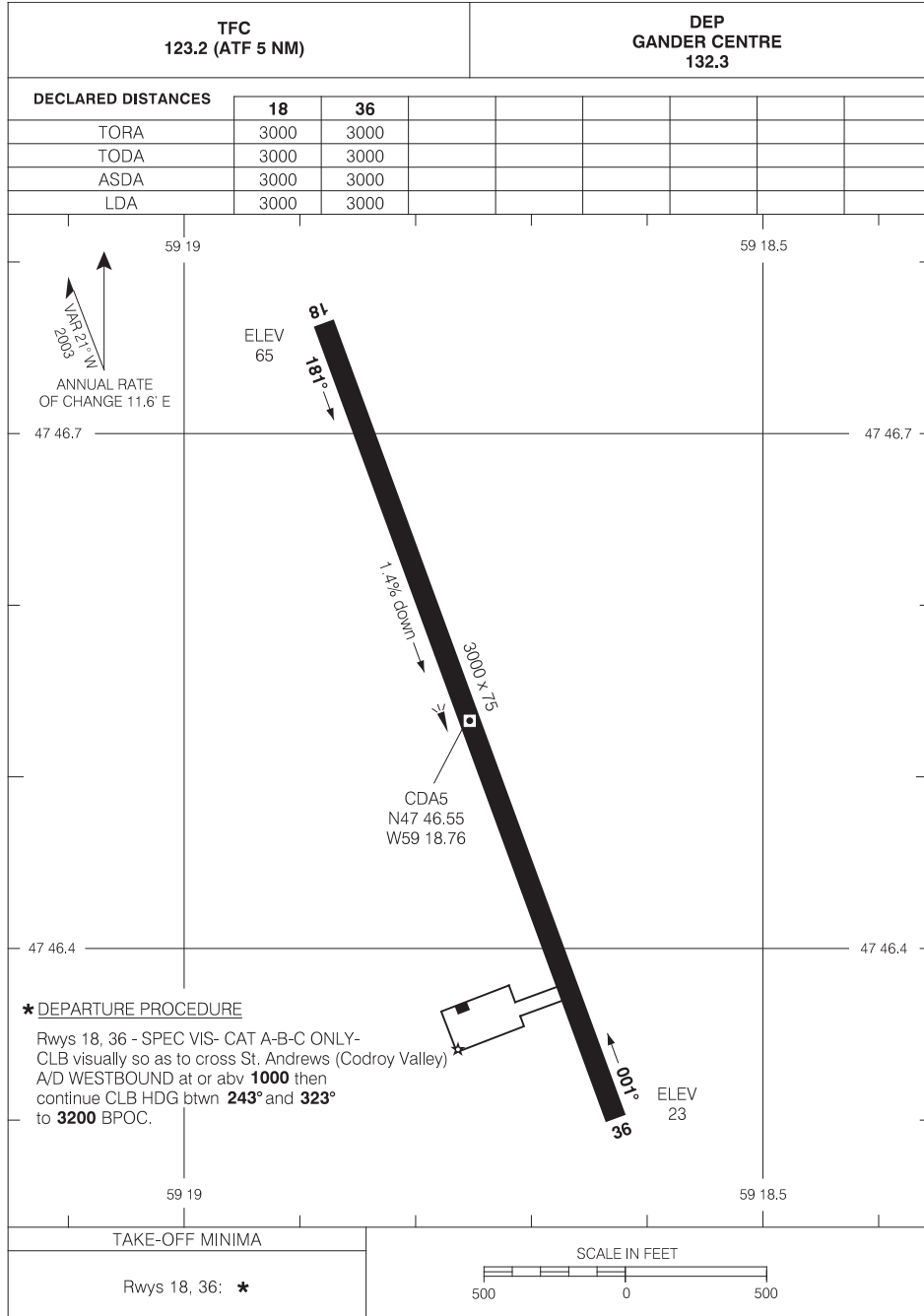
EFF 10 APR 08

CHANGE: Hot spot



# AERODROME CHART

ST. ANDREWS (CODROY VALLEY)  
ST. ANDREWS NL



Source of Canadian Civil Aeronautical Data : © 2010 NAV CANADA All rights reserved

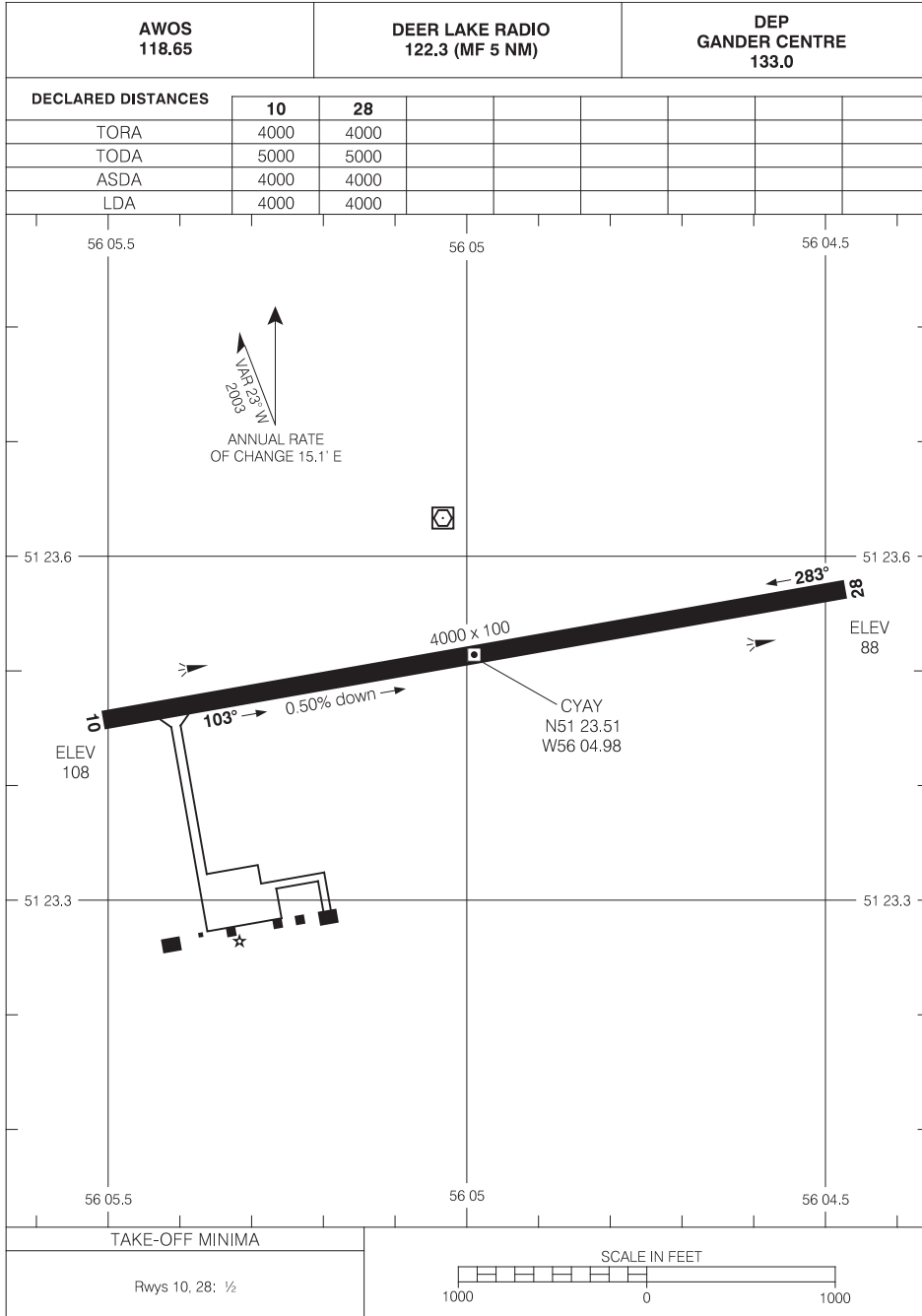
# AERODROME CHART

ST. ANDREWS NL  
ST. ANDREWS (CODROY VALLEY)  
NAD83

EFF 12 MAR 09 CHANGE: Departure procedure

# AERODROME CHART

ST. ANTHONY  
ST. ANTHONY NL



Source of Canadian Civil Aeronautical Data : © 2010 NAV CANADA All rights reserved

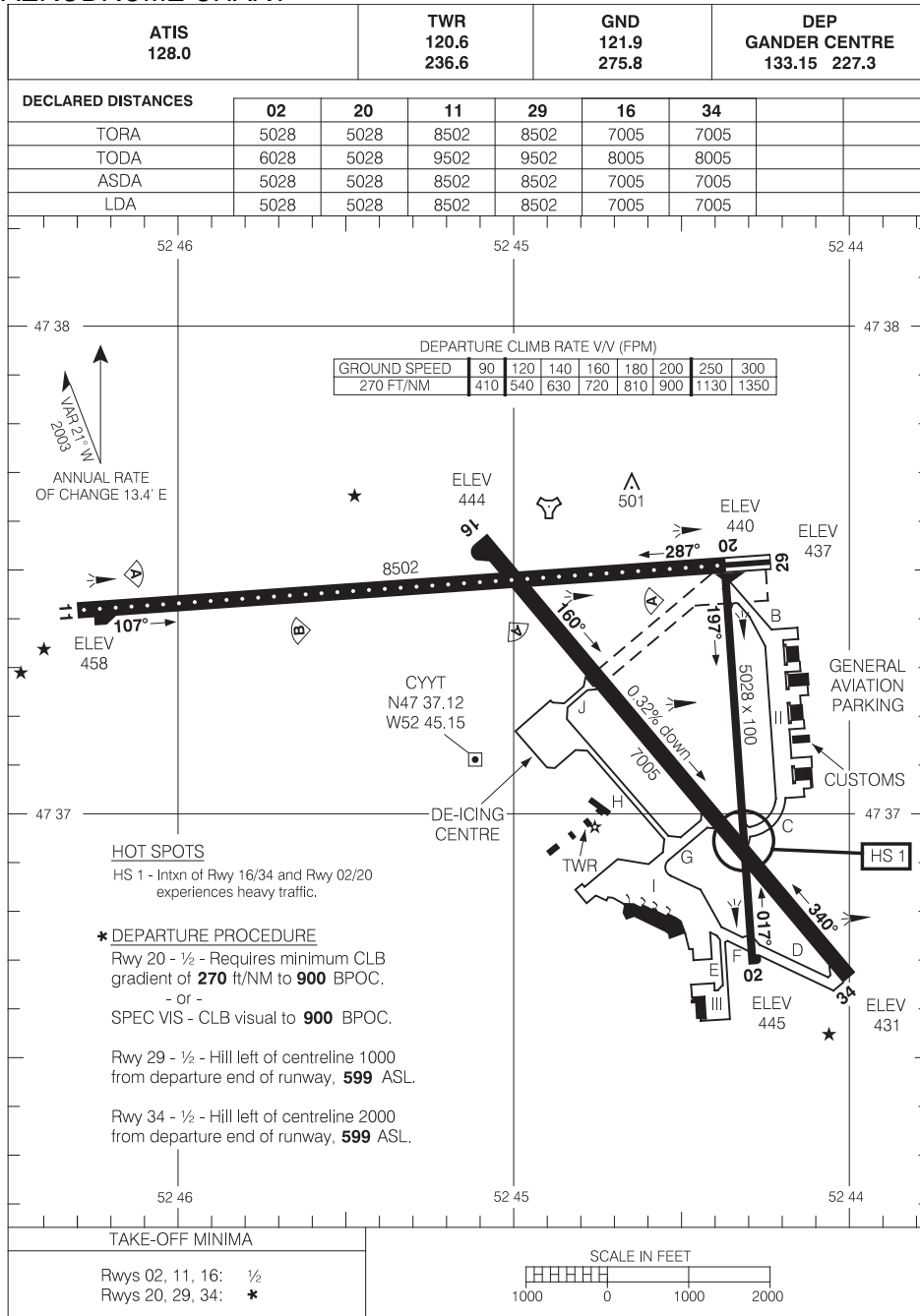
# AERODROME CHART

ST. ANTHONY NL  
ST. ANTHONY  
NAD83

EFF 22 OCT 09 CHANGE: COMM

# AERODROME CHART

ST. JOHN'S INTL NEWFOUNDLAND  
ST. JOHN'S NL



Source of Canadian Civil Aeronautical Data : © 2010 NAV CANADA All rights reserved

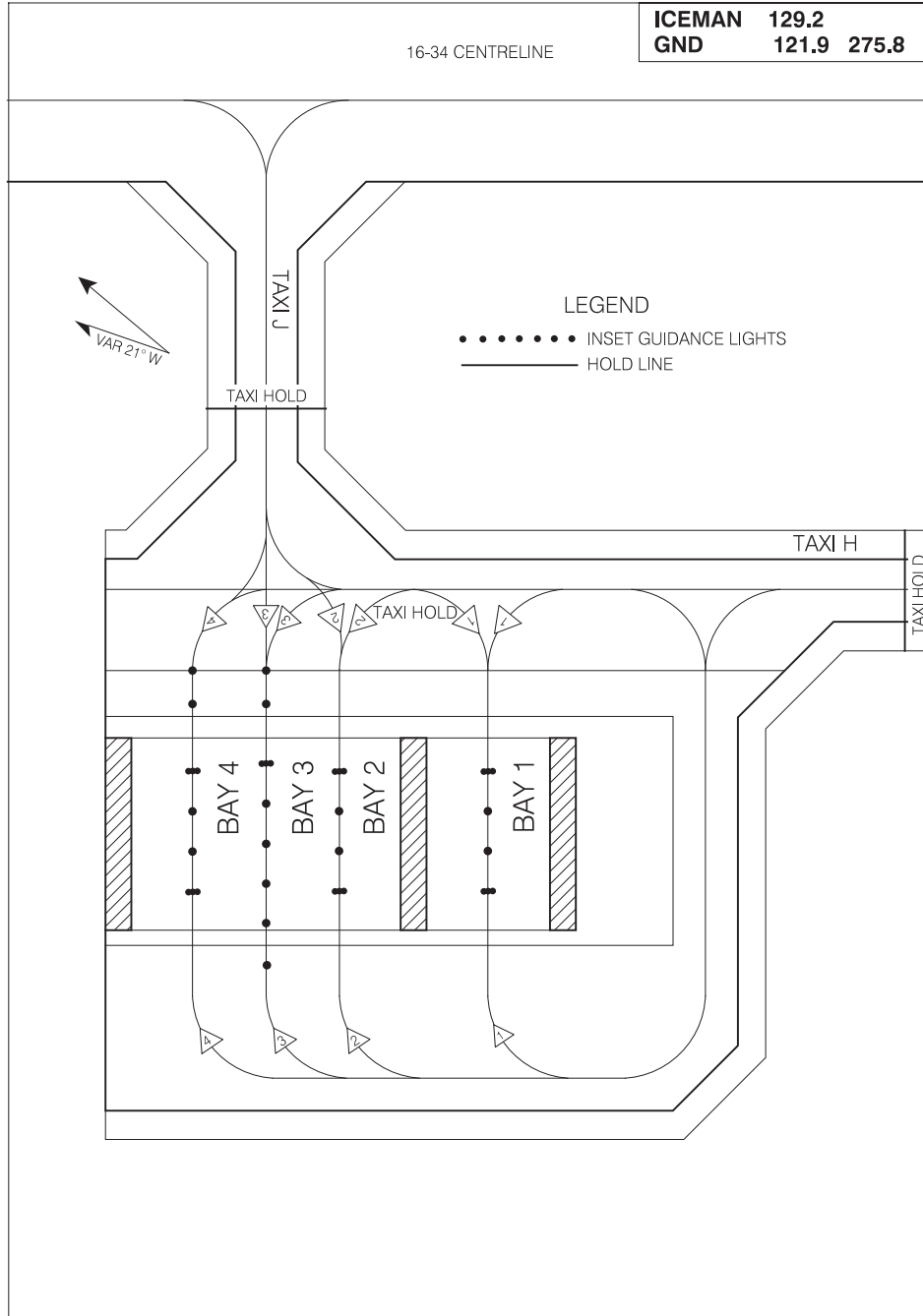
# AERODROME CHART

ST. JOHN'S NL  
ST. JOHN'S INTL NEWFOUNDLAND  
NAD83

EFF 22 OCT 09 CHANGE: Editorial

# CENTRAL DE-ICING FACILITY

ST. JOHN'S INTL NEWFOUNDLAND  
ST. JOHN'S NL



Source of Canadian Civil Aeronautical Data : © 2010 NAV CANADA All rights reserved

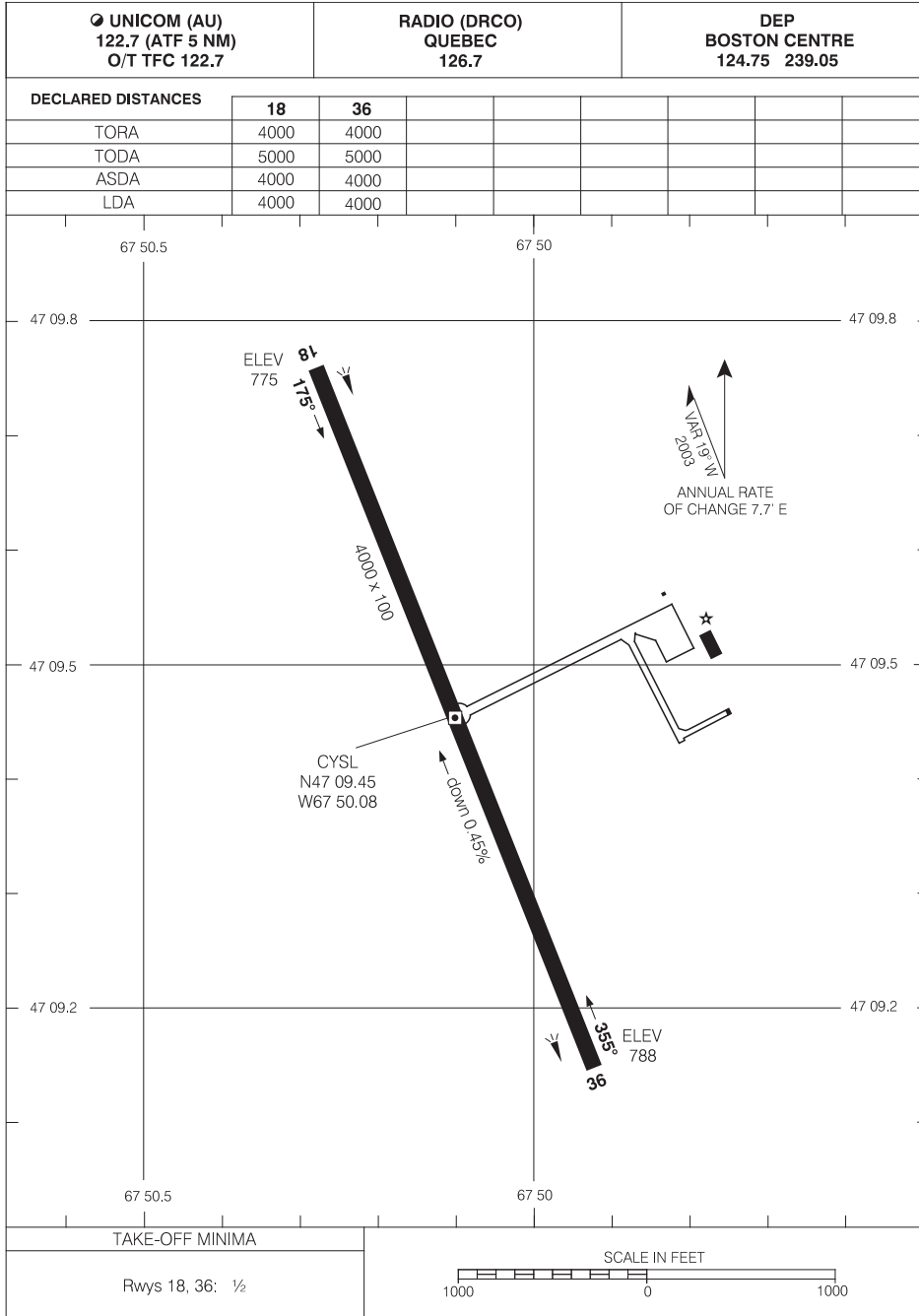
# CENTRAL DE-ICING FACILITY

ST. JOHN'S NL  
ST. JOHN'S INTL NEWFOUNDLAND  
NAD83

EFF 14 FEB 08 CHANGE: Revised

# AERODROME CHART

ST. LEONARD  
ST. LEONARD NB



Source of Canadian Civil Aeronautical Data : © 2010 NAV CANADA All rights reserved

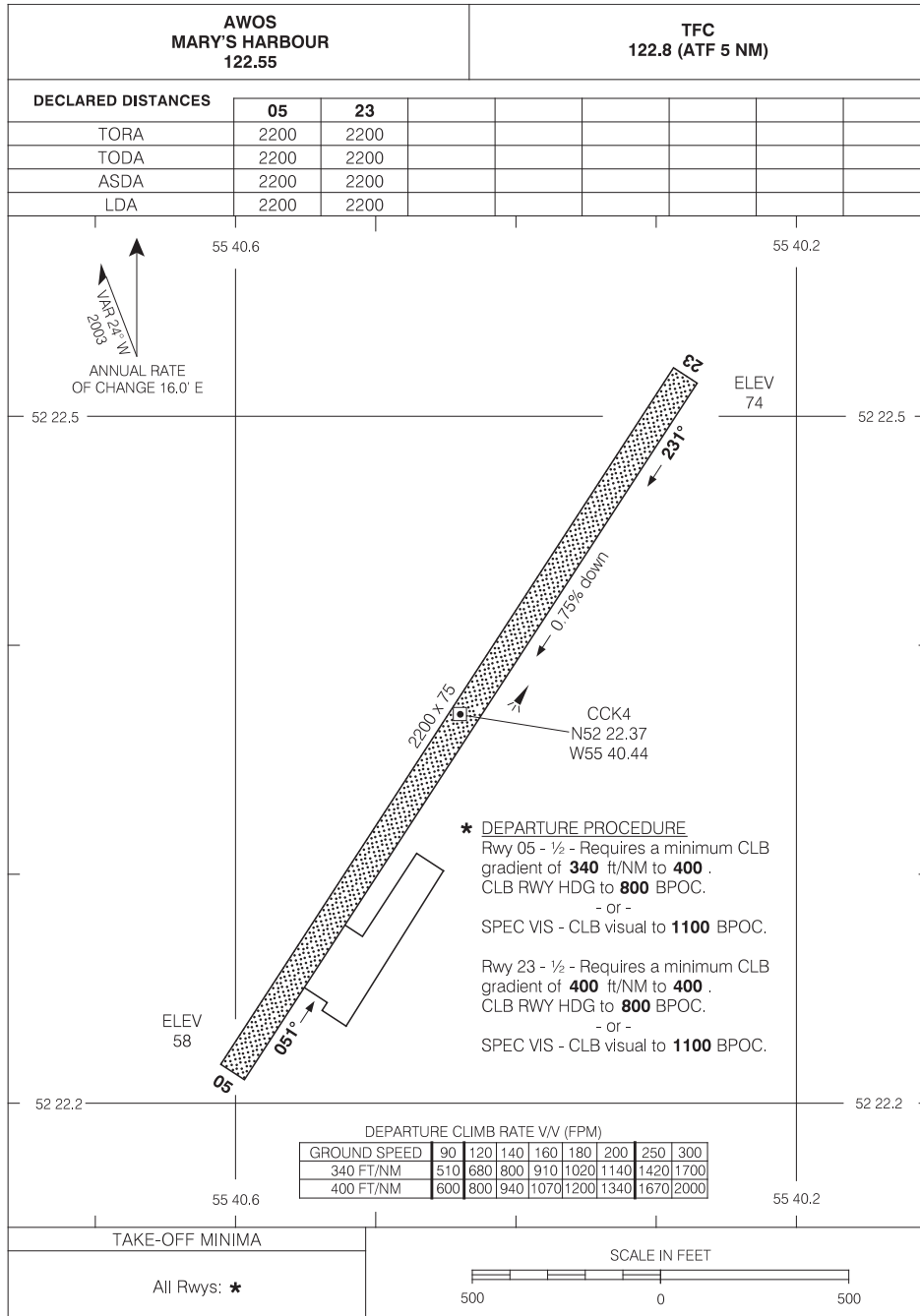
# AERODROME CHART

ST. LEONARD NB  
ST. LEONARD  
NAD83

EFF 13 APR 06 CHANGE: Editorial

# AERODROME CHART

ST. LEWIS (FOX HARBOUR)  
ST. LEWIS NL



Source of Canadian Civil Aeronautical Data : © 2010 NAV CANADA All rights reserved

# AERODROME CHART

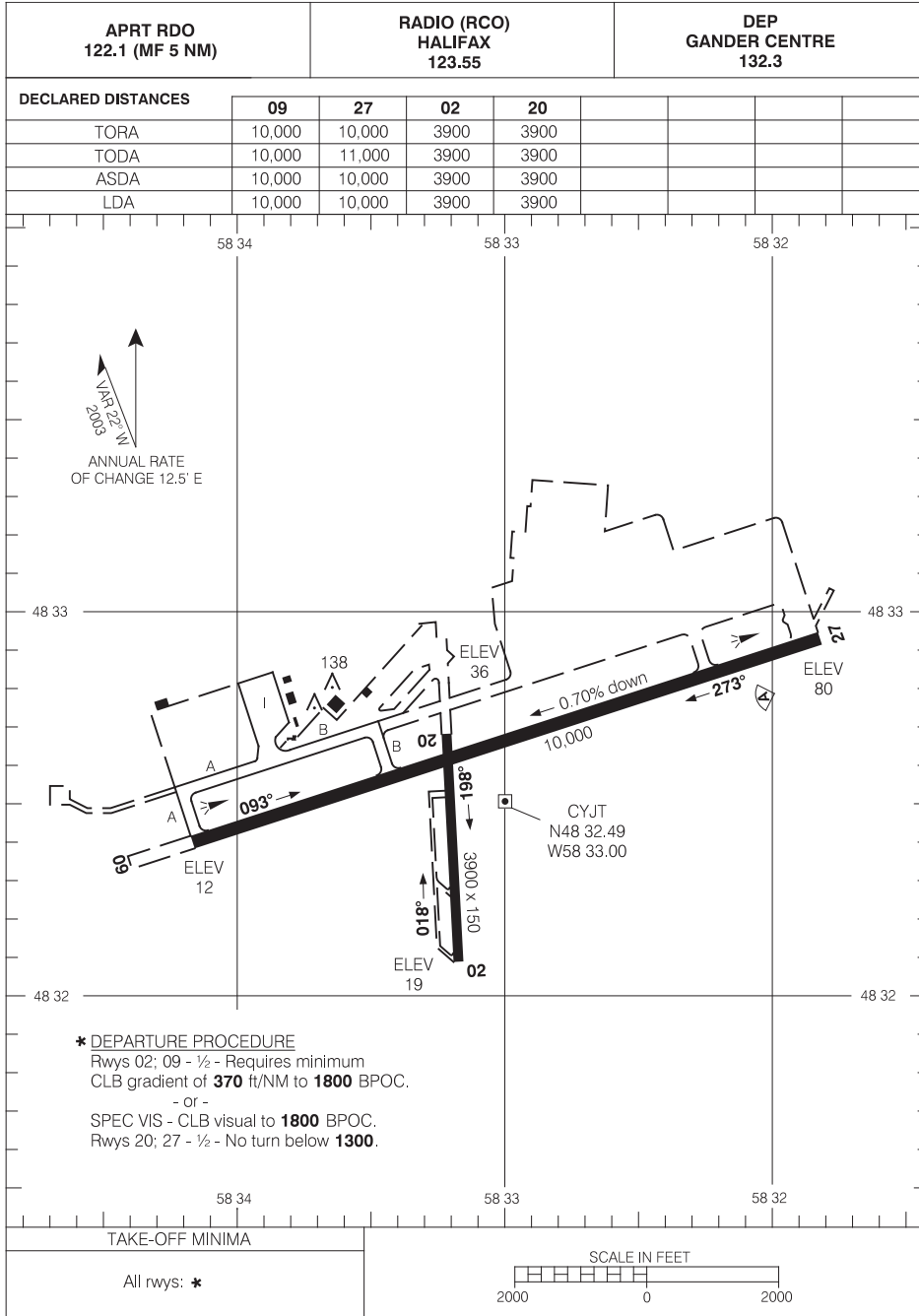
ST. LEWIS NL  
ST. LEWIS (FOX HARBOUR)  
NAD83

EFF 3 AUG 06

CHANGE: AGCC

# AERODROME CHART

STEPHENVILLE  
STEPHENVILLE NL



Source of Canadian Civil Aeronautical Data : © 2010 NAV CANADA All rights reserved

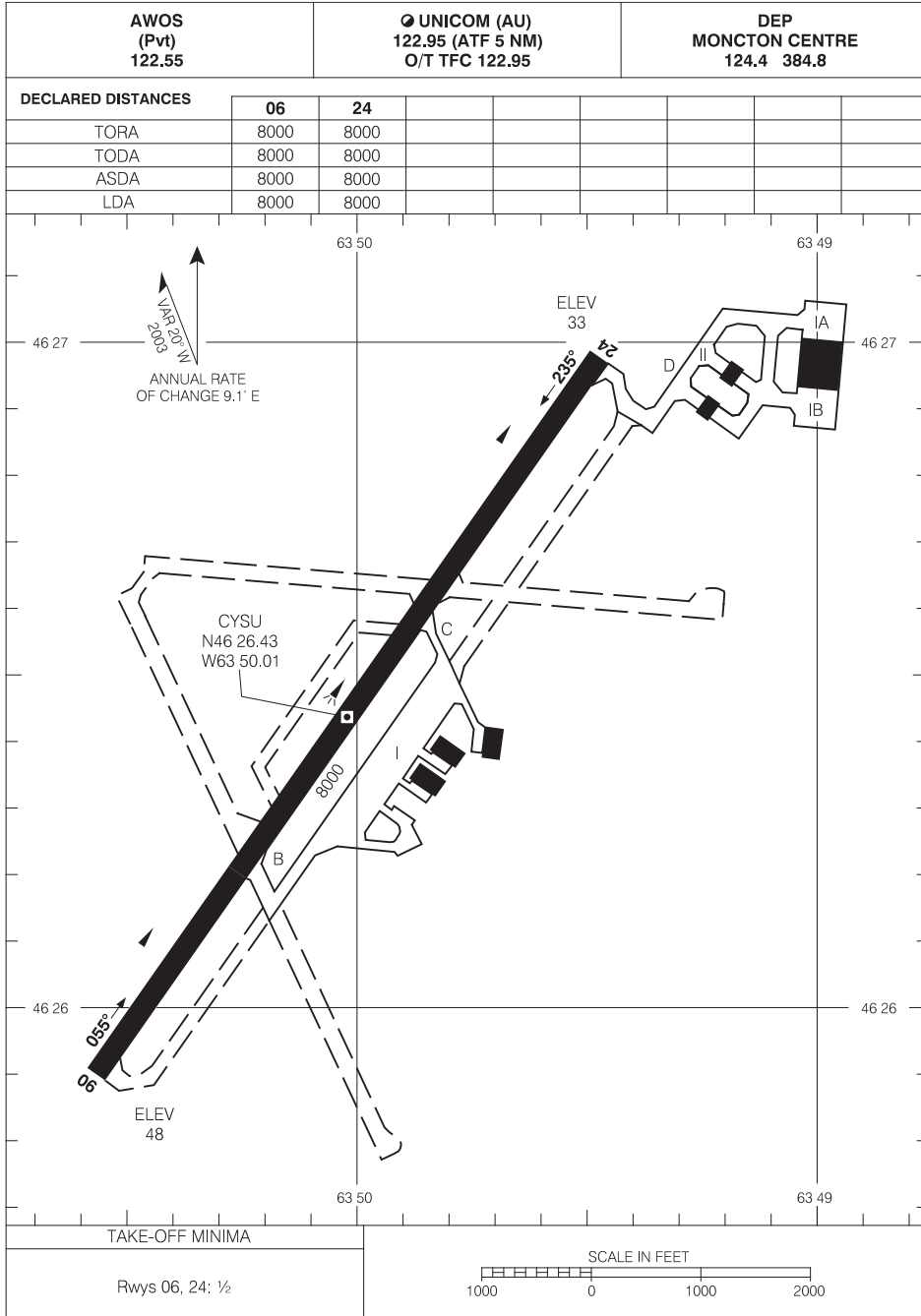
# AERODROME CHART

STEPHENVILLE NL  
STEPHENVILLE  
NAD83

EFF 12 MAR 09 CHANGE: AGCC

# AERODROME CHART

SUMMERSIDE  
SUMMERSIDE PE



Source of Canadian Civil Aeronautical Data : © 2010 NAV CANADA All rights reserved

# AERODROME CHART

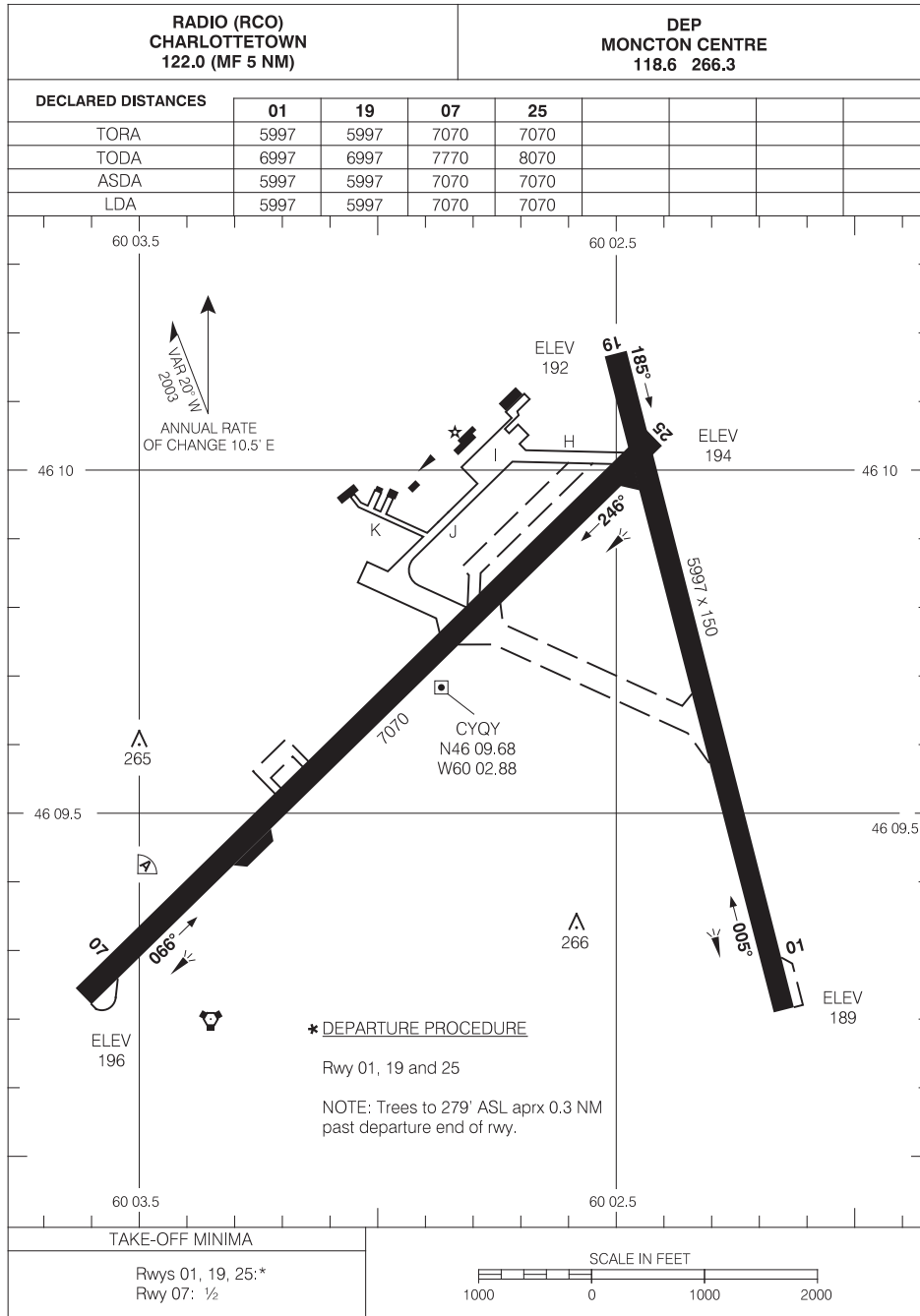
SUMMERSIDE PE  
SUMMERSIDE  
NAD83

EFF 20 NOV 08 CHANGE: AWOS



# AERODROME CHART

SYDNEY/J.A. DOUGLAS McCURDY  
SYDNEY NS



Source of Canadian Civil Aeronautical Data : © 2010 NAV CANADA All rights reserved

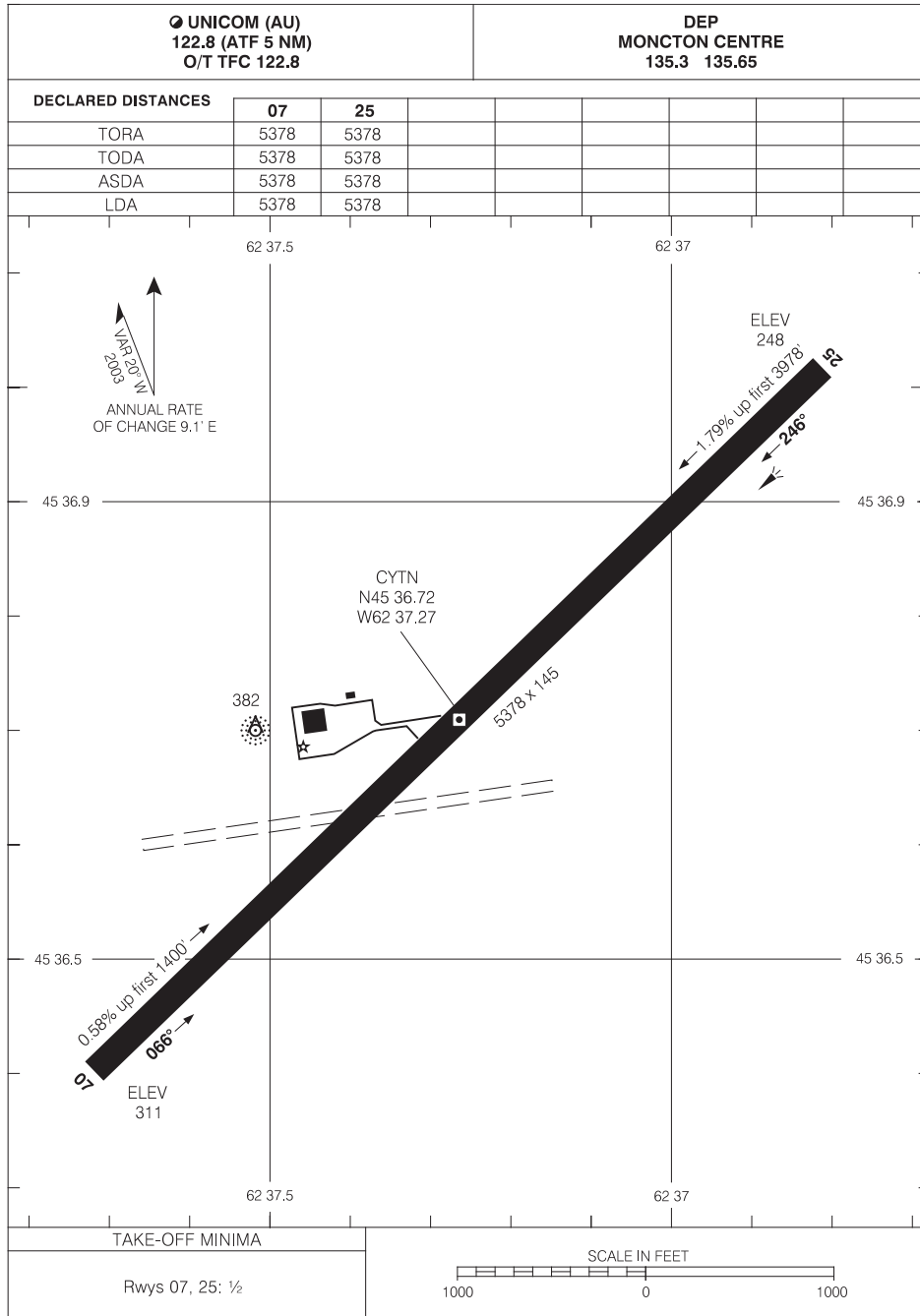
# AERODROME CHART

SYDNEY NS  
SYDNEY/J.A. DOUGLAS McCURDY  
NAD83

EFF 22 OCT 09 CHANGE: Aerodrome name

# AERODROME CHART

TRENTON  
TRENTON NS



Source of Canadian Civil Aeronautical Data : © 2010 NAV CANADA All rights reserved

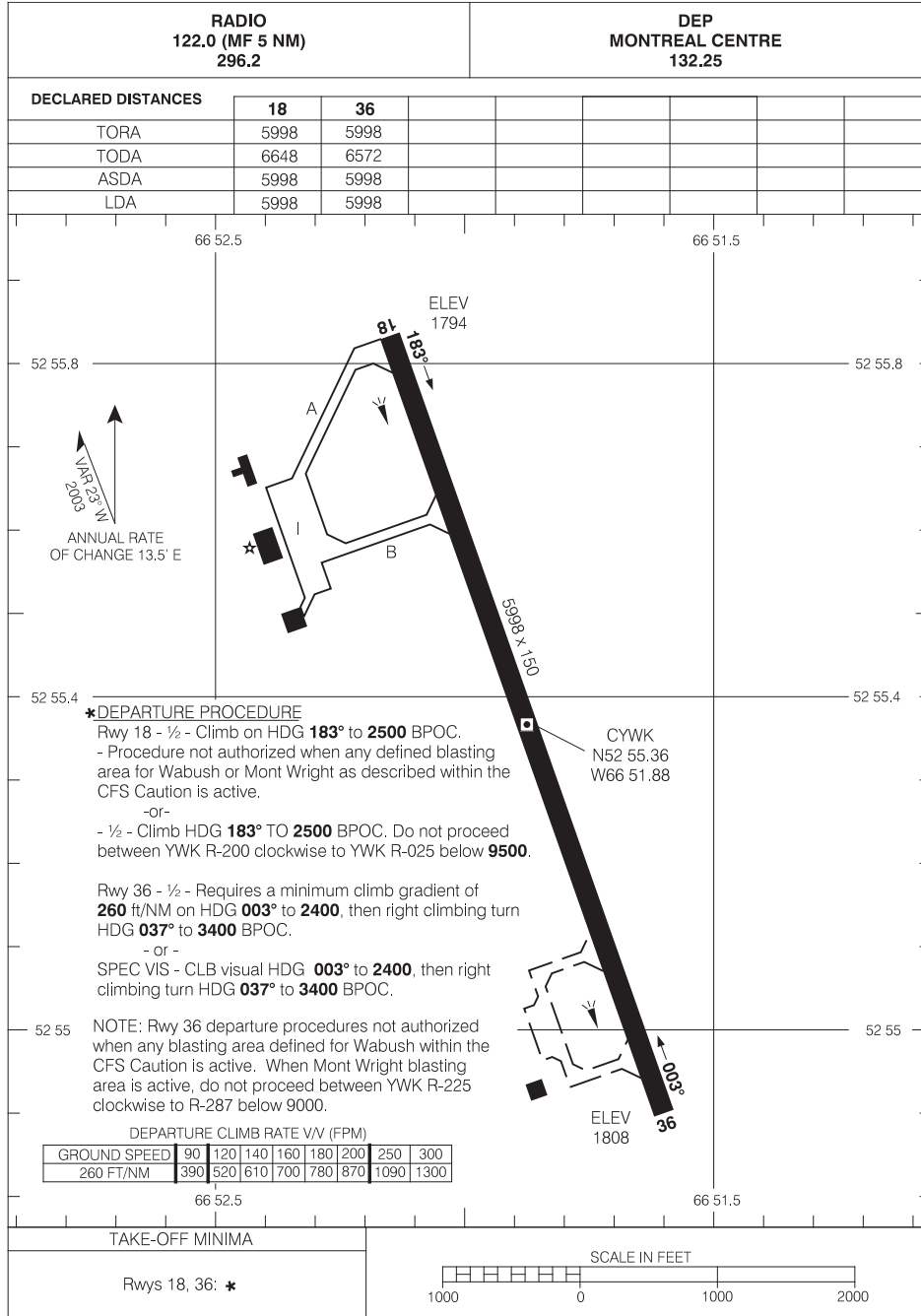
# AERODROME CHART

TRENTON NS  
TRENTON  
NAD83

EFF 30 AUG 07 CHANGE: Declared distances

# AERODROME CHART

WABUSH  
WABUSH NL



Source of Canadian Civil Aeronautical Data : © 2010 NAV CANADA All rights reserved

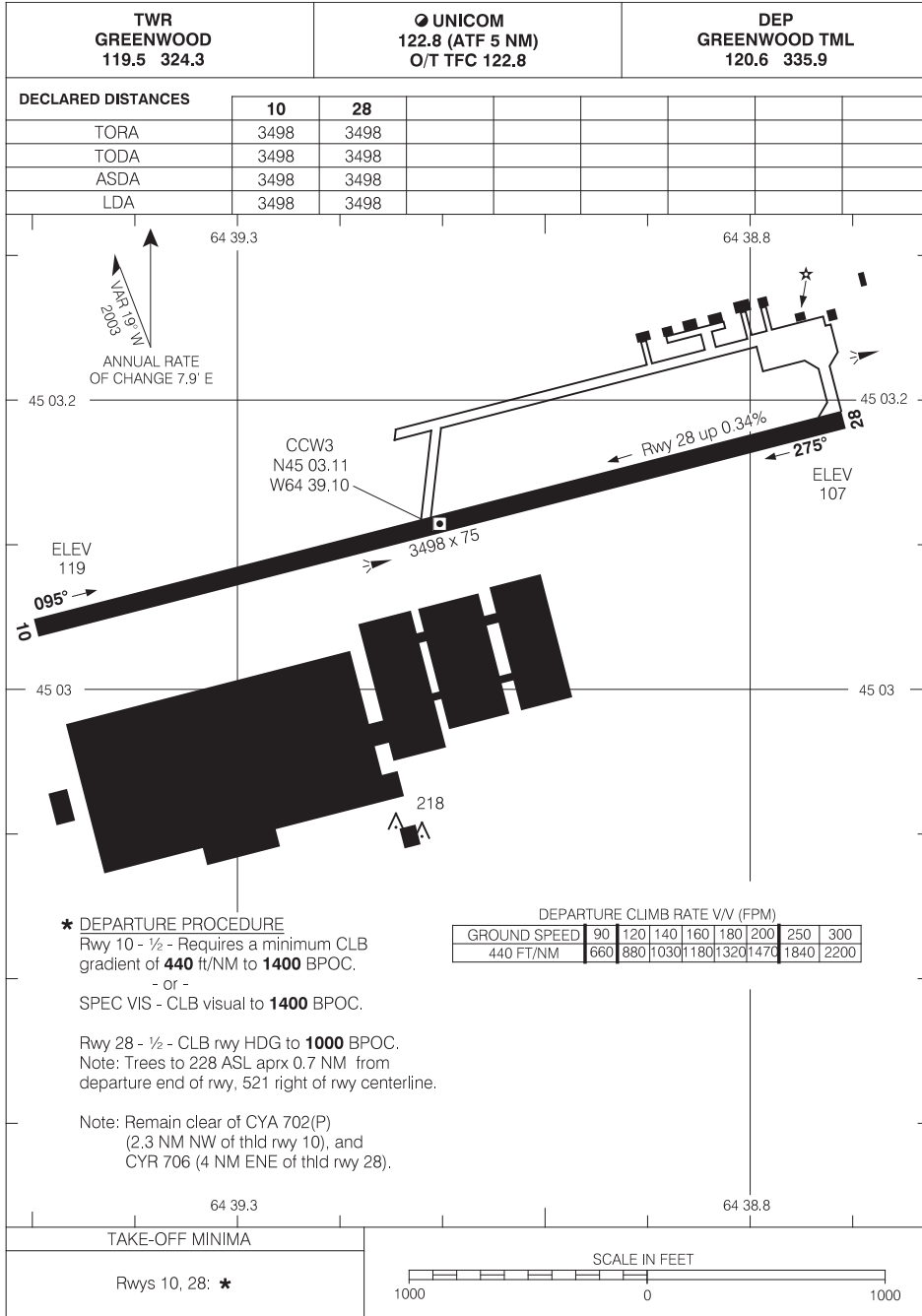
# AERODROME CHART

WABUSH NL  
WABUSH  
NAD83

EFF 11 FEB 10 CHANGE: Declared distances

# AERODROME CHART

WATERVILLE/KINGS CO MUNI  
WATERVILLE NS



**\* DEPARTURE PROCEDURE**  
 Rwy 10 - 1/2 - Requires a minimum CLB gradient of **440 ft/NM** to **1400 BPOC**.  
 - Or -  
 SPEC VIS - CLB visual to **1400 BPOC**.  
  
 Rwy 28 - 1/2 - CLB rwy HDG to **1000 BPOC**.  
 Note: Trees to 228 ASL aprx 0.7 NM from departure end of rwy, 521 right of rwy centerline.  
  
 Note: Remain clear of CYA 702(P) (2.3 NM NW of thid rwy 10), and CYR 706 (4 NM ENE of thid rwy 28).

DEPARTURE CLIMB RATE V/V (FPM)								
GROUND SPEED	90	120	140	160	180	200	250	300
440 FT/NM	660	880	1030	1180	1320	1470	1840	2200

TAKE-OFF MINIMA

Rwys 10, 28: \*



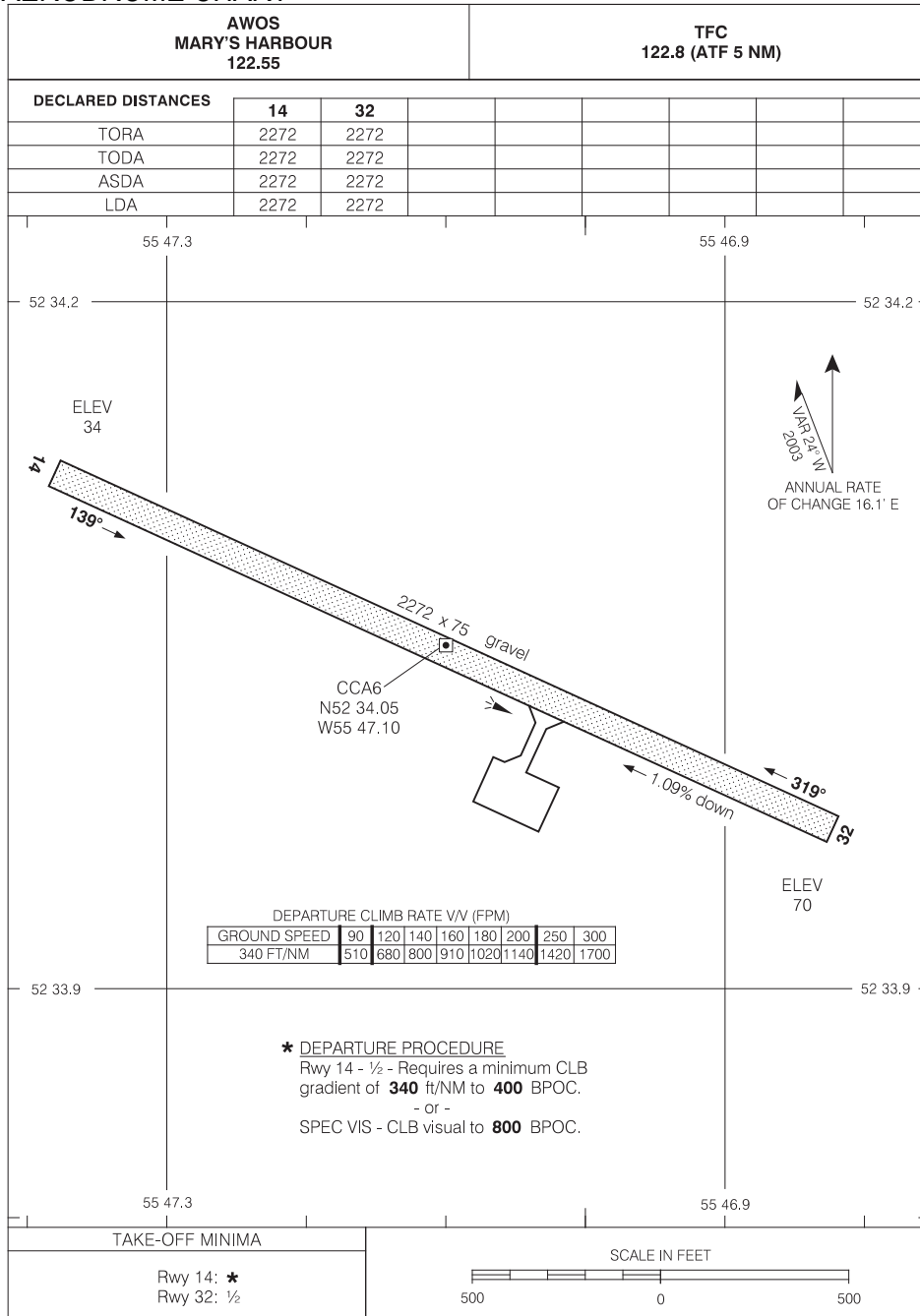
# AERODROME CHART

WATERVILLE NS  
WATERVILLE/KINGS CO MUNI  
NAD83

EFF 27 AUG 09 CHANGE: Elevation rwy 28

# AERODROME CHART

WILLIAMS HARBOUR  
WILLIAMS HARBOUR NL



Source of Canadian Civil Aeronautical Data : © 2010 NAV CANADA All rights reserved

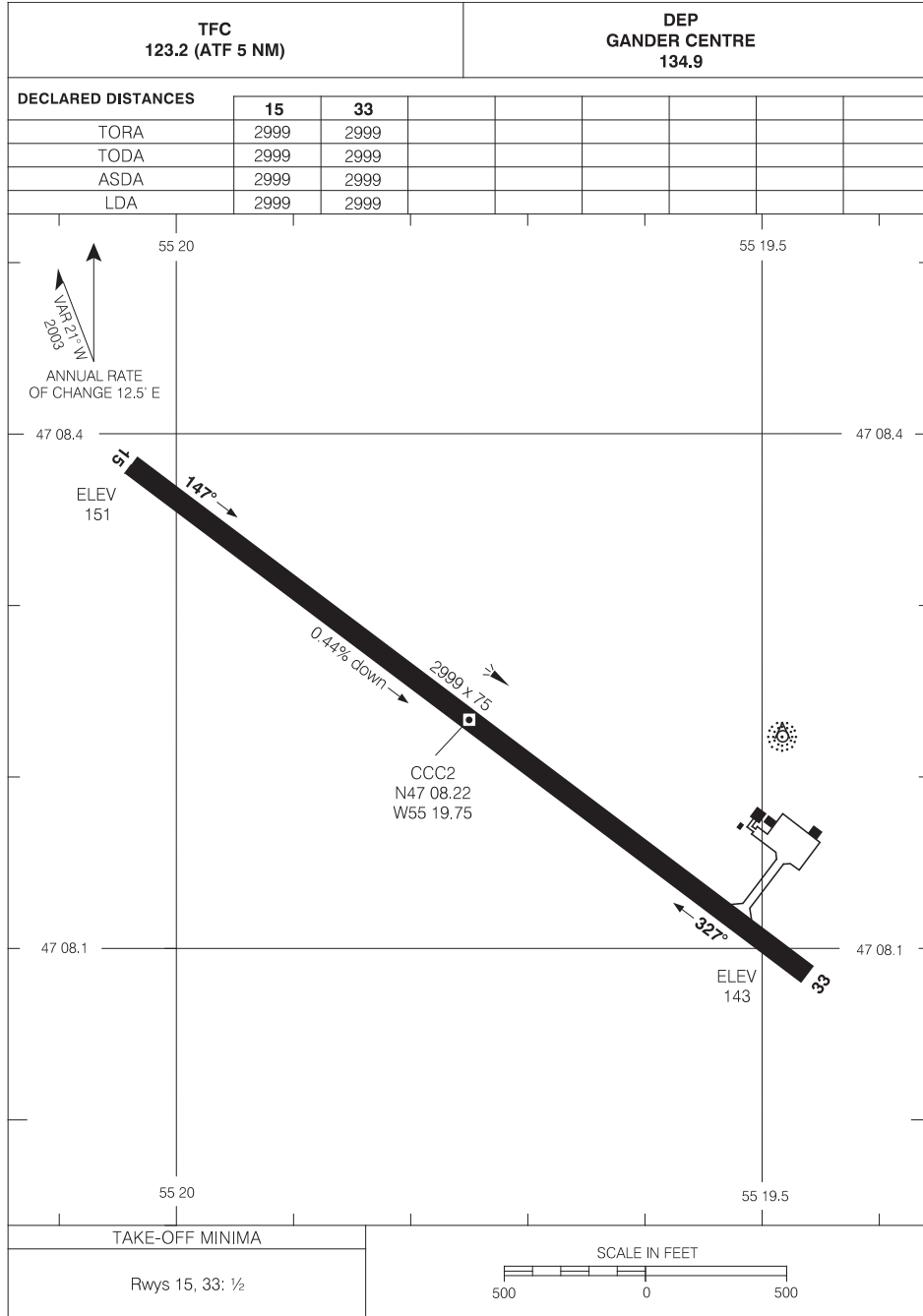
# AERODROME CHART

WILLIAMS HARBOUR NL  
WILLIAMS HARBOUR  
NAD83

EFF 27 AUG 09      CHANGE: Rwy bearings, rwy length, declared distances

# AERODROME CHART

WINTERLAND  
WINTERLAND NL



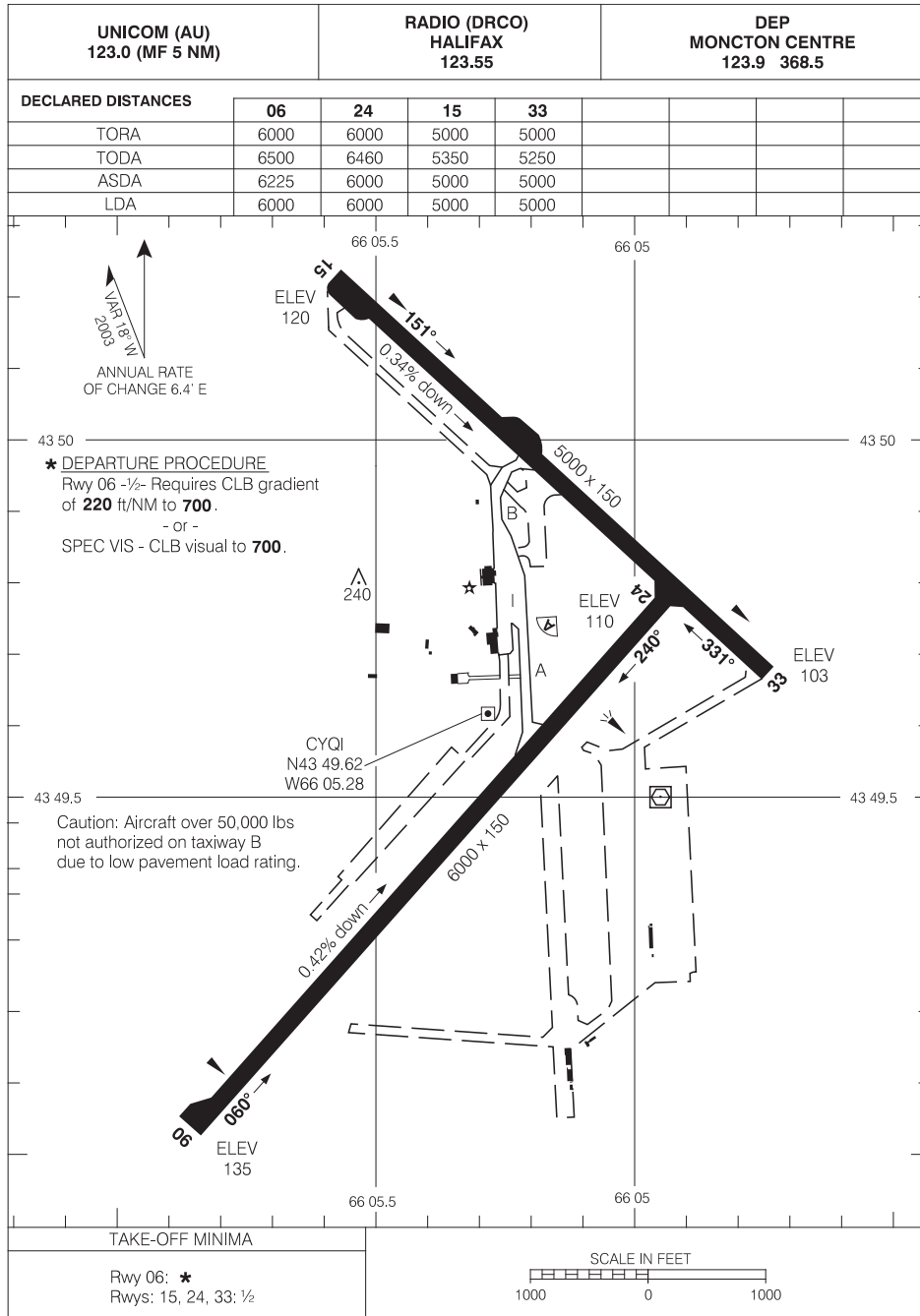
# AERODROME CHART

WINTERLAND NL  
WINTERLAND  
NAD83

EFF 13 APR 06 CHANGE: Editorial

# AERODROME CHART

YARMOUTH  
YARMOUTH NS



# AERODROME CHART

YARMOUTH NS  
YARMOUTH  
NAD83

EFF 5 JUL 07 CHANGE: TODA Rwy 24