

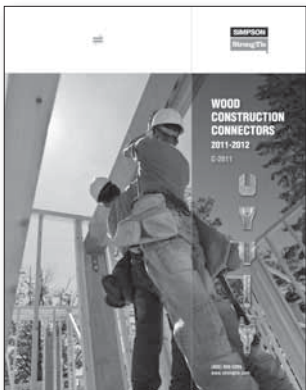


# PRICE BOOK

## P-2011



Prices include products listed in:



C-2011



C-CFS08

# ALPHABETICAL INDEX

<b>A</b> Angles . . . . . 6	<b>EG, EGQ</b> Beam Hangers . . . . . 107	<b>HGUS, HGUQ</b> Girder Hangers . . . . . 35–37
<b>A34, A35</b> Framing Anchors . . . . . 6, 92, 99	<b>EPB, EPBA</b> Elevated Post Bases . . . . . 26	<b>HH</b> Header Hangers . . . . . 37
<b>AB</b> Adjustable Post Bases . . . . . 6, 92	<b>EPB-12</b> Elevated Post Bases . . . . . 26	<b>HHHQ</b> Heavy Duty Holdowns . . . . . 35
<b>ABA, ABE, ABU</b> Adjustable Post Bases . . . . . 6, 92, 99	<b>EPBP, EPBT</b> Elevated Post Bases . . . . . 26	<b>HHGU</b> Girder Hanger . . . . . 33, 34
<b>ABL</b> Anchor Bolt Locator . . . . . 7	<b>EPC</b> Post Caps . . . . . 57, 93	<b>HHUS, HUS</b> Heavy Duty Double Shear Hangers . . . . . 39, 40, 94
<b>ABS</b> Anchor Bolt Stabilizers . . . . . 7	<b>F, HF, HFN</b> Formed Seat Hangers . . . . . 28, 93	<b>HIT</b> Top Flange Hangers . . . . . 45–47
<b>AC, ACE, LCE</b> Twin Post Caps . . . . . 7, 92, 99	<b>FA, FAP, FJA, FSA, HFA</b> Foundation Anchors . . . . . 28	<b>H-KT, HGA-KT</b> Hurricane Tie/Strap Kits . . . . . 35
<b>AHEP</b> Adjustable Hip End Purlin . . . . . 70	<b>FB</b> Fence Brackets . . . . . 28, 93	<b>HL</b> Heavy Angles . . . . . 37, 38
<b>AM</b> AnchorMate® Bolt Holders . . . . . 7, 103	<b>FC</b> Framing Clips . . . . . 28	<b>HLPC</b> Heavy Strap Ties . . . . . 66
<b>B, BA, HB, LBV</b> Hangers . . . . . 8–13	<b>FGTR</b> Truss Girder Hangers . . . . . 69	<b>HPA</b> Purlin Anchors . . . . . 56, 104
<b>BC</b> Bases/Caps Combination . . . . . 14	<b>FHA</b> Strap-Ties . . . . . 62	<b>HRC</b> Hip Connectors . . . . . 38
<b>BCS</b> Bases/Caps Slant Nail . . . . . 14, 92, 99	<b>FJA</b> Foundation Anchors . . . . . 28	<b>HRS</b> Heavy Retail Straps . . . . . 39, 94
<b>BP, BPPC, BPS, LBP, LPBS</b> Bearing Plates . . . . . 14, 15, 95	<b>FPB</b> EZ Base Mender Spike . . . . . 29	<b>HSCNW</b> Coupler Nuts . . . . . 60
<b>BPS-KT</b> Bearing Plate Kit . . . . . 15	<b>FSA</b> Foundation Anchors . . . . . 28	<b>HSS</b> Stud Shoes . . . . . 60
<b>BT</b> Brick Ties . . . . . 15, 103	<b>FSC</b> Floor Span Connectors . . . . . 29	<b>HSS-KT</b> Heavy Stud Shoes . . . . . 60
<b>CB, CBPC</b> Column Bases . . . . . 15, 16, 99	<b>FSS</b> Furring Stabilizer Straps . . . . . 25	<b>HST, HSTPC</b> Strap Ties . . . . . 61
<b>CBS</b> Standoff Column Bases . . . . . 16	<b>FTA, LFTA</b> Floor Tie Connectors . . . . . 29	<b>HSUR/HSUL</b> Hangers . . . . . 63–66, 94
<b>CBSQ</b> Standoff Column Base Quick Install . . . . . 16	<b>FW</b> Four Way Connectors . . . . . 29	<b>HTC</b> Roof Truss Clips . . . . . 62
<b>CC, CCC, CCPC</b> Column Caps . . . . . 17–19, 24	<b>FWAZ</b> Foundation Wall Angles . . . . . 93	<b>HTS, HTSC, HTSM</b> Heavy Twist Straps . . . . . 72
<b>CCOS</b> Colun Caps . . . . . 50	<b>FWANZ</b> Foundation Wall Anchor . . . . . 93	<b>HTT, LTT, LTTI</b> Tension Ties . . . . . 72, 107
<b>CCQ-SDS, CCCQ</b> Column Caps Quick-Install w/SDS screws included . . . . . 19, 20, 24	<b>GA</b> Gusset Angles . . . . . 29	<b>HTU</b> Heavy Truss Hangers . . . . . 39
<b>CCT/CCTQ</b> Column Caps . . . . . 20, 21, 24	<b>GB</b> Hangers . . . . . 13	<b>HU</b> Heavy Duty Hangers . . . . . 40–42
<b>CF-R</b> Form Angle/Shelf Brackets . . . . . 101	<b>GBC</b> Gable Brace Connector . . . . . 69	<b>HUCQ</b> Heavy Duty Joist Hangers . . . . . 43
<b>CJT</b> Concealed Joist-Ties . . . . . 25	<b>GH</b> Girder Hangers . . . . . 29, 30	<b>HUS, HHUS, MUS</b> Heavy Duty Double Shear Hangers . . . . . 39, 94
<b>CMST, CMSTC</b> Coiled Straps . . . . . 62	<b>GLB, GLBT</b> Beam Seats . . . . . 113	<b>HUSTF, HUSCTF</b> Heavy Duty Double Shear Top Flange Hangers . . . . . 40
<b>CNW, HSCNW</b> Coupler Nuts Witness Hole . . . . . 60	<b>GLTV, HGLTV</b> Heavy Duty Hangers . . . . . 30–33, 106	<b>HUTF, HUCTF, HUITF</b> Top Flange Hangers . . . . . 43, 44
<b>CPS</b> Composite Post Standoffs . . . . . 7	<b>GU</b> High Capacity Hangers . . . . . 33, 34	<b>HW, HWI, HWU</b> Hangers . . . . . 75, 80–86
<b>CS, CMST, CMSTC</b> Coiled Straps . . . . . 62, 92, 101	<b>H</b> Hurricane Ties/Straps . . . . . 34, 93, 99	<b>HWD</b> Saddle Type Hanger . . . . . 75
<b>CSC/FSS</b> Ceiling Support Clips, Furring Stabalizer Straps . . . . . 25	<b>H-KT</b> Hurricane Tie/Strap Kits . . . . . 35	<b>ICFVL</b> ICF Ledger System . . . . . 45
<b>CTS</b> Compression/Tension Strap . . . . . 62	<b>HB</b> Hangers . . . . . 8–13	<b>ITS, MIT, HIT</b> Top Flange Hangers . . . . . 45–47
<b>CWB</b> Wall Bracing . . . . . 86	<b>HCA</b> Hinge Connectors . . . . . 110–112	<b>IUS</b> Face Mount Hangers . . . . . 47
<b>DETAL</b> Truss Anchor . . . . . 26	<b>HCP, HRC</b> Hip Connectors . . . . . 38	<b>J, JP</b> Jack Pier, Floor Jacks . . . . . 49, 101
<b>DJTZ, DPTZ</b> Deck Tie Connectors . . . . . 25	<b>HCST, HCSTR</b> Straps . . . . . 113	<b>JB</b> Hangers . . . . . 49
<b>DPC, DPPC</b> Decorative Post Covers . . . . . 25	<b>HD, HDB, HDC, HDQ, HHDQ, HDU</b> Holdowns . . . . . 35	<b>KWB1</b> Workbench or Shelf Unit Kits . . . . . 103
<b>DS</b> Drywall Stops . . . . . 25	<b>HETA, META, HETAL, HHETA</b> Truss Anchors . . . . . 26, 27	<b>L</b> Reinforcing Angles . . . . . 49
<b>DSC-SDS</b> Drag Strut Connectors . . . . . 26	<b>HF, HFN, F</b> Hangers . . . . . 28	<b>L</b> Strap Ties . . . . . 66
<b>DSP</b> Double Stud Plates . . . . . 90	<b>HFA</b> Foundation Anchors . . . . . 28	<b>LB</b> Hangers . . . . . 49
<b>DTC</b> Roof Truss Clips . . . . . 62	<b>HGA-KT</b> Gusset Angle Kits . . . . . 35	<b>LBP/LBPS</b> Bearing Plates . . . . . 14, 15, 95
<b>DTT</b> Deck Tension Ties . . . . . 92, 99	<b>HGB</b> Hangers . . . . . 13	<b>LBV</b> Hangers . . . . . 8–13
<b>ECBQ</b> Elevated Column Bases . . . . . 26	<b>HGLB</b> Beam Seats . . . . . 113	<b>LCB</b> Light Column Bases . . . . . 17
<b>ECC, ECCPC</b> Column Caps . . . . . 18, 24	<b>HGLS</b> Hangers . . . . . 108, 109	<b>LCC, CCOS</b> Lally Column Caps . . . . . 49, 50
<b>ECCL, ECCLQ</b> Column Caps . . . . . 22, 23, 24	<b>HGLT/HGLTV</b> Hangers . . . . . 30–33, 106	<b>LCE</b> Light Post Caps . . . . . 7, 92
<b>ECCQ</b> Column Caps . . . . . 24, 101	<b>HGT</b> Girder Tiedowns . . . . . 69	<b>LEG, LEGPC</b> Hangers . . . . . 107
<b>ECCU</b> End Column Cap with Uplift . . . . . 24	<b>HGU, HGUM, LGU, LGUM, MGU</b> High Capacity Face Mount Hangers . . . . . 33, 34	

# ALPHABETICAL INDEX

<b>LFTA</b> Floor Tie Anchors . . . . .	29	<b>PA, PAI, MPAI, HPA</b> Purlin Anchors . . . . .	56	<b>"T"</b> Straps . . . . .	66
<b>LGT, MGT, HGT</b> Girder Tiedowns . . . . .	69	<b>PAB</b> Anchor Bolts . . . . .	87, 88	<b>TASS</b> Staircase Angle . . . . .	100
<b>LGU</b> High Capacity Hangers . . . . .	33, 34	<b>PBS</b> Standoff Post Bases . . . . .	57, 101	<b>TAZ, TAZ-KT</b> Staircase Angles . . . . .	98
<b>LMA</b> Mud sill Anchors . . . . .	95	<b>PBV, PBV-KT</b> Post Bases, Post Bases Vigas . . . . .	56	<b>TB</b> Tension Bridging . . . . .	66
<b>LPC</b> Post Caps . . . . .	95	<b>PC</b> Post Caps . . . . .	57	<b>TBD</b> Truss Bracers . . . . .	70
<b>LS</b> Skewable Angles . . . . .	49, 95	<b>PCT</b> Purlin Cross Ties . . . . .	113	<b>TBE</b> Truss Bearing Enhancers . . . . .	67, 198
<b>LSC</b> Adjustable Stair Stringer Connector . . . . .	95	<b>PF, PFD</b> Post Frame Hangers . . . . .	57	<b>TC</b> Truss Connectors . . . . .	67
<b>LSU, LSSU</b> Light Hangers . . . . .	50	<b>PGT</b> Pipe Grip Ties . . . . .	101	<b>THA, THAC</b> Adjustable Truss Hangers . . . . .	67, 98
<b>LSTA, LSTI</b> Strap Ties . . . . .	60, 61	<b>PS</b> Piling Supports . . . . .	58	<b>THAI</b> Hangers . . . . .	67
<b>LSTHD</b> Strap Tie Holdowns . . . . .	62	<b>PSCA</b> Panel Sheathing Clip . . . . .	58	<b>THAL, THAR, THASR, THASL</b> Adjustable Height Skewed Right, Left . . . . .	68
<b>LTA</b> Light Truss Anchors . . . . .	51	<b>PSPN</b> . . . . .	54	<b>THG, THGB, THGBW, THGBV, THGBHV,</b> <b>THGW</b> Truss Girder Hangers . . . . .	68, 69
<b>LTB</b> Light Tension Bridging . . . . .	66	<b>PSCL</b> Panel Sheathing Clips . . . . .	58, 103	<b>THGQ, THGQH</b> Truss Hanger Girders . . . . .	70
<b>THGA, THJA</b> Truss Hip/Jack Hangers . . . . .	68, 69	<b>PSPN</b> Nail Stopper . . . . .	54, 97	<b>THJA</b> Truss Girder Hangers . . . . .	69
<b>LTHMA</b> Hangers . . . . .	70	<b>RBC, RBCP</b> Roof Blocking Clips . . . . .	58	<b>THJM</b> Multiple Truss Hip Jack Hanger . . . . .	69
<b>LTP</b> Lateral Tie Plates . . . . .	71, 96	<b>RC</b> Ripper Clips . . . . .	58	<b>THJU</b> Truss Hip Jack Hanger . . . . .	69
<b>LTS, MTS, MTSC, MTSM, HTS, HTSC,</b> <b>HTSM, TS</b> Light Twist Straps . . . . .	71, 72	<b>RFB</b> Retrofit Bolts . . . . .	74	<b>TJC</b> Truss Jack Connector . . . . .	70
<b>LTT/LTTI</b> Tension Ties . . . . .	72	<b>RP</b> Retro Plate . . . . .	58	<b>TP, TPA, LTP</b> Tie Plates . . . . .	71
<b>LU</b> Joist Hangers . . . . .	51	<b>RPS</b> Retrofit/Reinforced Plate Straps . . . . .	58, 97	<b>TS</b> Twist Straps . . . . .	72
<b>LUS</b> Double Shear Hangers . . . . .	53	<b>RR</b> Ridge Rafter Connectors . . . . .	59	<b>TSB, TBD</b> Truss Spacer/Bracers . . . . .	70
<b>MA, MAB, MAS, MASB</b> Mud sill Anchors . . . . .	53	<b>RTA, RTB, RTC, RTR, RTT, RTU</b> Rigid Tie Connectors . . . . .	59, 97	<b>TSF</b> Truss Spacer/Bracers . . . . .	70
<b>MASAP</b> Mud sill Anchor . . . . .	53, 96	<b>S/</b> Cold Formed Steel Products . . . . .	104, 105	<b>TSP</b> Stud Plate Ties . . . . .	90
<b>MBHA, MBHU</b>		<b>SA, HSA</b> Strap Connectors . . . . .	59	<b>TSS</b> Truss Seats . . . . .	26, 27
Masonry Beam Hangers . . . . .	51, 52	<b>SB</b> Anchor Bolt . . . . .	91	<b>TWB</b> Wall Bracings . . . . .	86
<b>MEG, MEGPC</b> Hangers . . . . .	107	<b>SBV</b> Shelf Brackets . . . . .	59	<b>U</b> Hangers . . . . .	72, 73
<b>META</b> Truss Anchors . . . . .	26, 27, 96	<b>SD, SDS, SDW</b> Screws . . . . .	89, 90, 102	<b>UFP</b> Universal Foundation Plates . . . . .	74
<b>MGT</b> Girder Tiedowns . . . . .	69	<b>SDS</b> Screws . . . . .	89, 90, 102	<b>VB</b> Knee Braces . . . . .	74
<b>MGU</b> High Capacity Hangers . . . . .	33, 34	<b>SM</b> Strapmate® Strap Holder . . . . .	59	<b>VGT</b> Truss Girder Hangers . . . . .	69
<b>MIT</b> Top Flange Hangers . . . . .	44–46	<b>SP, DSP, SPH, TSP</b> Stud Plate Ties, Rafter Stud Plate SPH . . . . .	90	<b>VPA</b> Variable Pitch Connectors . . . . .	74
<b>MIU</b> Face Mount Hangers . . . . .	47, 48	<b>SPH</b> Heavy-Duty Stud-To-Plate Ties . . . . .	95, 102	<b>VTCR</b> Valley Truss Clips . . . . .	70
<b>MLZ</b> Medium L Angle . . . . .	96	<b>SS, HSS</b> Stud Shoes . . . . .	59, 60	<b>W, WI, WP, WPI, WPU, WD, WNP,</b> <b>HW, HWI, HWU</b> Hangers . . . . .	74–84
<b>MP</b> Mending Plates . . . . .	54	<b>SSN</b> Stainless-Steel Fasteners . . . . .	100, 102	<b>W, WT</b> Wedge Form Ties . . . . .	86, 103
<b>MPAI</b> Purlin Anchors . . . . .	56	<b>SSTB</b> Strong-Tie Anchor Bolts . . . . .	91, 102	<b>WB, CWB, RCWB, TWB, WB</b> Wall Bracing . . . . .	86
<b>MSC</b> Multiple Seat Connectors . . . . .	87	<b>ST, HST, LSTA, LSTI, MST, MSTA, MSTAM,</b> <b>MSTC, MSTI</b> Strap Ties . . . . .	60, 61	<b>WBC</b> Wall Bracing—Coiled Rolls . . . . .	86
<b>MSCPT</b> Multiple Seat Connectors . . . . .	71	<b>ST, STCT</b> Truss Clips . . . . .	62, 103	<b>WM, WMI</b> Hangers . . . . .	75, 84–85
<b>MST, MSTA, MSTAM, MSTC, MSTCM, MSTI</b> Strap Ties . . . . .	60, 61	<b>STHD, LSTHD</b> Strap-Tiedowns . . . . .	62	<b>WMU</b> Hangers . . . . .	75
<b>MTHM</b> Truss Hangers Multiple . . . . .	70	<b>SUR, HSUR, SUL, HSUL</b> Hangers . . . . .	63–66, 89	<b>Z</b> Clips . . . . .	87
<b>MUS</b> Hangers . . . . .	39, 40				
<b>N</b> Joist Hanger Fasteners . . . . .	53				
<b>NCA</b> Bridging . . . . .	54				
<b>NS, NSP</b> Nail Stoppers . . . . .	54				
<b>OCB, OCC, OECC, OHA, OHL, OHS, OHT,</b> <b>OHU, OL, OS, OT, OU</b> Ornamental Angles, Hangers and Straps . . . . .	54, 55				

## SPECIALITY SECTIONS

<b>ZMAX®</b> Zinc Coated Products . . . . .	92–98
<b>Stainless-Steel Products</b> . . . . .	99, 100
<b>Retail Packaged Products</b> . . . . .	101–103
<b>Cold Formed Steel Products</b> . . . . .	104, 105
<b>Structural Hardware Products</b> . . . . .	106–113

Dimensions are given for comparison purposes only. Refer to the current *Connectors for Wood Construction* catalog (C-2011) for specific details on applicability and installation requirements.

## TERMS AND CONDITIONS OF SALE

1. All references to nominal lumber sizes are for dressed or S4S dimensions.
2. Unless otherwise noted, models are shown with “Weight lbs/100 (in lbs.) per 100 Pieces”. These weights should be treated as approximate weight which may differ due to variances which can occur from allowable steel minimum/maximum thickness, product modifications, and/or packaging changes.
3. Where specified, list prices and weight include special N54A fasteners for connectors.
4. Simpson Strong-Tie® connectors are recognized by several code agencies. Agencies that recognize some or all of our products include ICC; the City of Los Angeles, California; Dade County, Florida; and Wisconsin.
5. All prices and designs are subject to change without notice.
6. Payment terms: 1% 10th prox., net 30. FOB shipping point unless otherwise specified. Delinquent accounts subject to a 1 ½% per month finance charge.
7. Check with factory for additional charges for hot dip galvanizing (HDG).
8. All claims for shortages, damages, etc., must be made within 14 days of shipped date.
9. Special orders cannot be returned. Stock parts may be returned if request is made within 90 days of purchase. Buyer must allow seller to inspect parts to obtain written return authorization. If 100% resaleable parts are returned within 2 weeks of authorization, a credit of 75%, less restocking and freight charges, may be allowed.
10. **WARRANTY.** Simpson Strong-Tie Company Inc. warrants catalog products to be free from defects in material or manufacturing. Simpson Strong-Tie Company Inc. products are further warranted for adequacy of design when used in accordance with design limits and properly specified and installed. This warranty does not apply to uses not in compliance with specific applications and installation procedures or modified products, or to deterioration due to environmental conditions. All warranty obligations of Simpson Strong-Tie Company Inc. shall be limited, at the discretion of Simpson Strong-Tie Company Inc., to repair or replacement of the defective part. These remedies shall constitute Simpson Strong-Tie Company Inc.’s sole obligation and sole remedy of purchaser under this warranty. In no event will Simpson Strong-Tie Company Inc. be responsible for incidental, consequential, or special loss or damage, however caused.

Simpson Strong-Tie connectors are designed to enable structures to resist the movement, stress, and loading that results from impact events such as earthquakes and high velocity winds. Other Simpson Strong-Tie products are designed to the load capacities and uses listed in this catalog. Properly-installed Simpson Strong-Tie products will perform in accordance with the specifications set forth in the applicable Simpson catalog. Additional performance limitations for specific products may be listed on the applicable catalog pages.

Due to the particular characteristics of potential impact event, the specific design and location of the structure, the building materials used, the quality of construction, and the condition of the soils involved, damage may nonetheless result to a structure and its contents even if the loads resulting from the impact event do not exceed Simpson catalog specifications and Simpson Strong-Tie connectors are properly installed in accordance with applicable building codes

All warranty obligations of Simpson Strong-Tie Company Inc. shall be limited, at the discretion of Simpson Strong-Tie Company Inc., to repair or replacement of the defective part. These remedies shall constitute Simpson Strong-Tie Company Inc.’s sole obligation and sole remedy of purchaser under this warranty. In no event will Simpson Strong-Tie Company Inc. be responsible for incidental, consequential, or special loss or damage, however caused.

## TERMS AND CONDITIONS OF SALE continued

This warranty is expressly in lieu of all other warranties, expressed or implied, including warranties of merchantability or fitness for a particular purpose, all such other warranties being hereby expressly excluded. This warranty may change periodically — consult our website [www.strongtie.com](http://www.strongtie.com) for current information.

11. **INDEMNITY.** Customers modifying products or installation procedures or designing special order products for fabrication by Simpson Strong-Tie Company Inc. shall, regardless of specific instructions to the user, indemnify, defend, and hold harmless Simpson Strong-Tie Company Inc. for any and all claimed losses or damages occasioned in whole or in part by special order or modified products.

### UPC BARCODE IDENTIFICATION

Simpson Strong-Tie Company Inc. has assigned Uniform Product Code (UPC) numbers to each of our products. We accommodate certain markets by labeling many of our stock-keeping units with UPC barcoded labels. This meets point-of-sale requirements for quick check out, accurate pricing, and inventory control of our connectors. For a complete UPC code listing and explanation of our system, contact our home office.

### SIMPSON QUALITY POLICY

“We help people build safer structures economically. We do this by designing, engineering and manufacturing ‘No Equal’ structural connectors and other related products that meet or exceed our customers’ needs and expectations.

Everyone is responsible for product quality and is committed to ensuring the effectiveness of the Quality Management System.”



Tom Fitzmyers  
Chief Executive Officer



Terry Kingsfather  
President



#### ISO 9001 REGISTERED

Simpson Strong-Tie Company Inc. is proud to announce that we are an ISO 9001 registered company.

ISO 9001 is an internationally-recognized quality assurance system which lets our domestic, as well as international, customers know that they can count on the consistent quality from products and services Simpson Strong-Tie.

**CONFIDENTIAL.** This list price book is for use by customers of Simpson Strong-Tie Company Inc. only, and is not to be copied for any other reason.

<b>A ANGLES</b>					
<b>Model</b>	<b>List Price per 100</b>	<b>List Price per Each</b>	<b>Weight lbs/100</b>	<b>Carton Qty</b>	<b>Pallet Qty</b>
A21	\$75.00	\$0.75	7	200	19,200
A23	\$103.00	\$1.03	13	200	14,400
A24	\$375.00	\$3.75	42	25	5,000
A33	\$299.00	\$2.99	26	25	5,000
A44	\$364.00	\$3.64	40	25	5,000
A66	\$434.00	\$4.34	50	25	4,000
A88	\$972.00	\$9.72	93	10	2,400
A311	\$707.00	\$7.07	84	25	2,500

<b>A34, A35 FRAMING ANCHORS</b>					
<b>Model</b>	<b>List Price per 100</b>	<b>List Price per Each</b>	<b>Weight lbs/100</b>	<b>Carton Qty</b>	<b>Pallet Qty</b>
A34	\$42.00	\$0.42	8	100	7,200
A35	\$78.00	\$0.78	14	100	9,600
A35N	\$112.00	\$1.12	22	100	9,600

<b>AB AJUSTABLE POST BASES</b>					
<b>Model</b>	<b>List Price per 100</b>	<b>List Price per Each</b>	<b>Weight lbs/100</b>	<b>Carton Qty</b>	<b>Pallet Qty</b>
AB44	\$1,221.00	\$12.21	138	10	540
AB46	\$2,532.00	\$25.32	214	8	384
AB66	\$3,076.00	\$30.76	303	10	180
AB44R	\$1,875.00	\$18.75	154	10	540
AB46R	\$3,377.00	\$33.77	214	10	360
AB66R	\$4,155.00	\$41.55	315	10	180

<b>ABA, ABE, ABU ADJUSTABLE POST BASES</b>					
<b>Model</b>	<b>List Price per 100</b>	<b>List Price per Each</b>	<b>Weight lbs/100</b>	<b>Carton Qty</b>	<b>Pallet Qty</b>
ABA44R	\$891.00	\$8.91	75	10	720
ABA46R	\$2,074.00	\$20.74	121	10	480
ABA66R	\$2,356.00	\$23.56	156	10	540
ABE44	\$839.00	\$8.39	107	10	720
ABE46	\$1,588.00	\$15.88	225	10	720
ABE46R	\$3,184.00	\$31.84	236	10	
ABE66	\$2,096.00	\$20.96	292	10	540
ABU44	\$2,075.00	\$20.75	187	12	576
ABU46	\$3,941.00	\$39.41	347	10	360
ABU66	\$4,431.00	\$44.31	487	10	240
ABU88	\$12,031.00	\$120.31	714	4	192
ABU88R	\$13,233.00	\$132.33	728	4	192

**R = rough sizes**

**ABS ANCHOR BOLT STABILIZERS**

Model	List Price per 100	List Price per Each	Weight lbs/100	Carton Qty	Pallet Qty
ABS5/8	\$133.00	\$1.33	3	100	
ABS7/8	\$133.00	\$1.33	3	100	

**AC, ACE, LCE TWIN POST CAPS, LIGHT POST CAPS (SOLD IN PIECES – NOT PAIRS)**

Model	List Price per 100	List Price per Each	Weight lbs/100	Carton Qty	Pallet Qty
AC4	\$472.00	\$4.72	49	20	1,920
AC6	\$579.00	\$5.79	53	20	1,920
AC4R	\$836.00	\$8.36	52	20	1,920
AC6R	\$944.00	\$9.44	68	20	1,920
ACE4	\$450.00	\$4.50	33	40	4,800
ACE6	\$589.00	\$5.89	48	40	4,800
LCE4	\$473.00	\$4.73	32	20	2,400

Equal quantities of lefts and rights are included in each carton

Equal quantities of lefts and rights are included in each carton

R = rough sizes

**AM ANCHORMATE® BOLT HOLDERS**

Model	List Price per 100	List Price per Each	Weight lbs/100	Carton Qty	Pallet Qty
AM 1/2	\$288.00	\$2.88	7	100	6,000
AM 3/4	\$288.00	\$2.88	7	100	6,000
AM 5/8	\$288.00	\$2.88	7	100	6,000
AM 7/8	\$316.00	\$3.16	7	100	6,000
AM 1	\$360.00	\$3.60	8	100	

Sold in full cartons only

Sold in full cartons only

Sold in full cartons only

Sold in full cartons only

Sold in full cartons only

**ABL ANCHOR BOLT LOCATOR**

Model	List Price per 100	List Price per Each	Weight lbs/100	Carton Qty	Pallet Qty
ABL4-1	\$898.00	\$8.98	34	50	
ABL4-1-OST	\$945.00	\$9.45	34	50	
ABL5-1	\$987.00	\$9.87	39	50	
ABL5-1-OST	\$1,040.00	\$10.40	39	50	
ABL6-1	\$1,210.00	\$12.10	44	50	
ABL6-1-OST	\$1,272.00	\$12.72	44	50	
ABL7-1	\$1,353.00	\$13.53	54	50	
ABL7-1-OST	\$1,421.00	\$14.21	54	50	
ABL8-1	\$1,523.00	\$15.23	59	50	
ABL8-1-OST	\$1,598.00	\$15.98	59	50	
ABL9-1	\$1,714.00	\$17.14	84	50	
ABL9-1-OST	\$1,802.00	\$18.02	84	50	
ABL10-1	\$2,332.00	\$23.32	129	25	
ABL10-1-OST	\$2,448.00	\$24.48	129	25	

**CPS COMPOSITE POST STANDOFFS**

Model	List Price per 100	List Price per Each	Weight lbs/100	Carton Qty	Pallet Qty
CPS4	\$660.00	\$6.60	16	25	3,000
CPS46	\$793.00	\$7.93	20	25	2,500
CPS5	\$793.00	\$7.93	20	25	2,250
CPS6	\$1,021.00	\$10.21	32	25	1,500
CPS7	\$1,598.00	\$15.98	50	10	750

**B HANGERS (TOP FLANGE): B, BA, GB, HB, HGB, HHB, LBV - EWP, GLULAM AND SOLID SAWN SIZES**

**OTHER CHARGES FOR "B" TYPE HANGERS:**

(Set-up charge applies — see "set-up" note below)

**SADDLE TYPE HANGERS:** Set up charge applies

**BD:** 2 X largest single price + \$575.00 to list per 100

**GBD:** 2 X largest single price + \$1491.00 to list per 100

**HBD:** 2 X largest single price + \$797.00 to list per 100

**HGBD:** 2 X largest single price + \$1977.00 to list per 100

**HHBD:** 2 X largest single price + \$1016.00 to list per 100

**LBVD:** 2 X largest single price + \$575.00 to list per 100

**SLOPE:** Set up charge applies.

**SKEW:** Set up charge applies.

Add \$2569.00 to list per 100

Add \$2708.00 to list per 100

**SLOPE TOP FLANGE:** Set up charge applies.

**OPEN/CLOSED TOP FLANGE:** Set up charge applies.

Add \$2241.00 to list per 100

Add \$461.00 to list per 100

**ROUGH LUMBER SIZES:** Rough width and/or height pricing: same as for comparable nominal size hanger. Set-up charge applies.

**CONSULT FACTORY FOR AVAILABILITY AND PRICING OF SLOPES/SKEWS EXCEEDING CATALOG LIMITS.**

**SET-UP CHARGE:** Where set-up charge applies, add a single \$25.00 net set-up charge for any and all modification(s) or any combination of modifications, to all Glulam sizes and to any "B" type hanger.

**B HANGERS (TOP FLANGE): B, BA, HB, LBV - EWP SIZES**

Model	List Price per 100	List Price per Each	Weight lbs/100	Carton Qty	Pallet Qty
BA1.81/11.88	\$1,394.00	\$13.94	184	20	300
BA2.56/11.88	\$1,394.00	\$13.94	189	20	300
BA2.56/14	\$1,568.00	\$15.68	214	15	225
BA2.56/16	\$1,744.00	\$17.44	238	15	225
BA3.56/11.88	\$1,394.00	\$13.94	195	20	300
BA3.56/14	\$1,568.00	\$15.68	220	15	225
BA3.56/16	\$1,744.00	\$17.44	244	15	225
B1.56/9.25	\$1,828.00	\$18.28	249		
B1.56/11.25	\$2,135.00	\$21.35	288		
B1.56/11.88	\$2,135.00	\$21.35	300		
LBV1.56/9.25	\$1,217.00	\$12.17	152		
LBV1.56/9.5	\$1,217.00	\$12.17	155		
LBV1.56/11.25	\$1,391.00	\$13.91	175	25	
LBV1.56/11.88	\$1,391.00	\$13.91	183		
LBV1.56/11.88L45	\$4,099.00	\$40.99	232		
LBV1.56/11.88R45	\$4,099.00	\$40.99	232		
LBV1.56/14	\$1,565.00	\$15.65	208		
LBV1.56/16	\$1,739.00	\$17.39	232	15	
B1.81/9.5	\$1,828.00	\$18.28	220		
B1.81/11.88	\$2,135.00	\$21.35	260		
B1.81/14	\$2,442.00	\$24.42	295		
B1.81/16	\$2,749.00	\$27.49	329		



**B HANGERS (TOP FLANGE): B, BA, HB, LBV - EWP SIZES**

Model	List Price per 100	List Price per Each	Weight lbs/100	Carton Qty	Pallet Qty
LBV1.81/9.25	\$1,217.00	\$12.17	153		
LBV1.81/9.5	\$1,217.00	\$12.17	156	20	
LBV1.81/11.25	\$1,391.00	\$13.91	177		
LBV1.81/14	\$1,565.00	\$15.65	210	15	
LBV1.81/16	\$1,739.00	\$17.39	233		
LBV1.81/7.25	\$1,043.00	\$10.43	129	25	
LBV2.06/9.5	\$1,217.00	\$12.17	132	25	
LBV2.06/11.88	\$1,391.00	\$13.91	155	25	
LBV2.06/14	\$1,565.00	\$15.65	176		
LBV2.06/16	\$1,739.00	\$17.39	196		
B2.56/11.88	\$1,959.00	\$19.59	222		
B2.56/14	\$2,266.00	\$22.66	252		
B2.56/16	\$2,573.00	\$25.73	280		
B2.56/18	\$2,880.00	\$28.80	308		
B2.56/20	\$3,187.00	\$31.87	336		
B2.56/22	\$3,494.00	\$34.94	364		
B2.56/24	\$3,801.00	\$38.01	392		
B2.56/26	\$4,108.00	\$41.08	420		
B2.56/30	\$4,722.00	\$47.22	476		
LBV2.56/9.25	\$1,365.00	\$13.65	132		
LBV2.56/9.37	\$1,365.00	\$13.65	133		
LBV2.56/9.5	\$1,365.00	\$13.65	134		
LBV2.56/11.25	\$1,539.00	\$15.39	152	25	
LBV2.56/11.88	\$1,539.00	\$15.39	158		
LBV2.56/13	\$1,713.00	\$17.13	169		
LBV2.56/14	\$1,713.00	\$17.13	179		
LBV2.56/16	\$1,887.00	\$18.87	199		
LBV2.56/18	\$2,061.00	\$20.61	218		
LBV2.56/20	\$2,235.00	\$22.35	238		
LBV2.56/22	\$2,409.00	\$24.09	258		
LBV2.56/24	\$2,583.00	\$25.83	278		
LBV2.56/26	\$2,757.00	\$27.57	298		
LBV2.56/28	\$2,931.00	\$29.31	318		
B2.37/11.88	\$1,959.00	\$19.59	220		
B2.37/14	\$2,266.00	\$22.66	250		
B2.37/16	\$2,573.00	\$25.73	278		
B2.37/18	\$2,880.00	\$28.80	306		
B2.37/20	\$3,187.00	\$31.87	349		
B2.37/22	\$3,494.00	\$34.94	378		
B2.37/24	\$3,801.00	\$38.01	406		
LBV2.37/9.5	\$1,365.00	\$13.65	133		
LBV2.37/11.25	\$1,539.00	\$15.39	150		
LBV2.37/11.88	\$1,539.00	\$15.39	157	25	
LBV2.37/14	\$1,713.00	\$17.13	178		
LBV2.37/16	\$1,887.00	\$18.87	197		
LBV2.37/18	\$2,061.00	\$20.61	217		
LBV2.37/20	\$2,235.00	\$22.35	237		

**B HANGERS (TOP FLANGE): B, BA, HB, LBV - EWP SIZES**

Model	List Price per 100	List Price per Each	Weight lbs/100	Carton Qty	Pallet Qty
B3.12/9.25	\$1,652.00	\$16.52	189		
B3.12/11.25	\$1,959.00	\$19.59	217		
B3.12/11.88	\$1,959.00	\$19.59	226		
LBV3.12/9.25	\$1,365.00	\$13.65	135	25	
LBV3.12/9.5	\$1,365.00	\$13.65	137		
LBV3.12/11.25	\$1,539.00	\$15.39	154		
LBV3.12/11.88	\$1,539.00	\$15.39	161		
LBV3.12/14	\$1,713.00	\$17.13	182		
LBV3.12/16	\$1,887.00	\$18.87	201		
B3.56/9.25	\$2,149.00	\$21.49	192		
B3.56/9.5	\$2,149.00	\$21.49	196		
B3.56/11.25	\$2,456.00	\$24.56	220		
B3.56/11.88	\$2,456.00	\$24.56	229		
B3.56/12	\$2,456.00	\$24.56	231		
B3.56/14	\$2,763.00	\$27.63	259		
B3.56/16	\$3,070.00	\$30.70	287		
B3.56/18	\$3,377.00	\$33.77	315		
B3.56/20	\$3,684.00	\$36.84	343		
B3.56/22	\$3,991.00	\$39.91	371		
B3.56/24	\$4,298.00	\$42.98	399		
B3.56/26	\$4,605.00	\$46.05	427		
B3.56/28	\$4,912.00	\$49.12	455		
B3.56/30	\$5,219.00	\$52.19	483		
LBV3.56/7.25	\$1,202.00	\$12.02	117	25	
LBV3.56/9.25	\$1,376.00	\$13.76	137	25	
LBV3.56/9.37	\$1,376.00	\$13.76	138		
LBV3.56/9.5	\$1,376.00	\$13.76	139	25	
LBV3.56/11.25	\$1,550.00	\$15.50	157		
LBV3.56/11.88	\$1,550.00	\$15.50	163	25	
LBV3.56/12	\$1,550.00	\$15.50	164	20	
LBV3.56/13	\$1,724.00	\$17.24	174		
LBV3.56/14	\$1,724.00	\$17.24	184	20	
LBV3.56/16	\$1,898.00	\$18.98	204	20	
LBV3.56/18	\$2,072.00	\$20.72	223	15	
LBV3.56/20	\$2,246.00	\$22.46	243		
LBV3.56/22	\$2,420.00	\$24.20	263		
LBV3.56/24	\$2,594.00	\$25.94	283		
LBV3.56/26	\$2,768.00	\$27.68	303		
LBV3.56/28	\$2,942.00	\$29.42	323		
BA48	\$1,043.00	\$10.43	138	20	
BA410	\$1,220.00	\$12.20	162	20	
BA412	\$1,394.00	\$13.94	184	20	
B38	\$1,345.00	\$13.45	155	25	
B310	\$1,652.00	\$16.52	183	25	
B312	\$1,959.00	\$19.59	210	20	
B314	\$2,266.00	\$22.66	238	25	
B316	\$2,573.00	\$25.73	266	25	
B48	\$1,842.00	\$18.42	162	25	
B410	\$2,149.00	\$21.49	191	25	
B412	\$2,456.00	\$24.56	217	20	
B414	\$2,763.00	\$27.63	245	15	
B416	\$3,070.00	\$30.70	273	15	

**B HANGERS (TOP FLANGE): B, BA, HB, LBV - EWP SIZES**

Model	List Price per 100	List Price per Each	Weight lbs/100	Carton Qty	Pallet Qty
B68	\$1,875.00	\$18.75	176	25	
B610	\$2,182.00	\$21.82	204	20	
B612	\$2,489.00	\$24.89	230	20	
B614	\$2,796.00	\$27.96	258	15	
B616	\$3,103.00	\$31.03	286	15	
LBV4.12/9.5	\$1,376.00	\$13.76	142	25	
LBV4.12/11.88	\$1,550.00	\$15.50	165	25	
LBV4.12/14	\$1,724.00	\$17.24	187	25	
LBV4.12/16	\$1,898.00	\$18.98	206		
LBV4.28/9.5	\$1,376.00	\$13.76	143		
LBV4.28/11.88	\$1,550.00	\$15.50	166		
LBV4.28/14	\$1,724.00	\$17.24	187		
LBV4.28/16	\$1,898.00	\$18.98	207		
B4.75/9.5	\$2,182.00	\$21.82	211		
B4.75/11.88	\$2,489.00	\$24.89	237		
B4.75/14	\$2,796.00	\$27.96	267		
B4.75/16	\$3,103.00	\$31.03	267		
B4.75/18	\$3,410.00	\$34.10	267		
B4.75/20	\$3,717.00	\$37.17	267		
LBV4.75/9.25	\$1,413.00	\$14.13	143		
LBV4.75/9.5	\$1,413.00	\$14.13	145	25	
LBV4.75/11.25	\$1,587.00	\$15.87	162		
LBV4.75/11.88	\$1,587.00	\$15.87	169		
LBV4.75/14	\$1,761.00	\$17.61	190		
LBV4.75/16	\$1,935.00	\$19.35	209	20	
LBV4.75/18	\$2,109.00	\$21.09	229		
LBV4.75/20	\$2,283.00	\$22.83	249		
B5.12/9.5	\$2,182.00	\$21.82	207		
B5.12/11.88	\$2,489.00	\$24.89	237		
B5.12/14	\$2,796.00	\$27.96	270		
B5.12/16	\$3,103.00	\$31.03	298		
B5.12/18	\$3,410.00	\$34.10	326		
B5.12/20	\$3,717.00	\$37.17	354		
B5.12/22	\$4,024.00	\$40.24	382		
B5.12/24	\$4,331.00	\$43.31	410		
B5.12/26	\$4,638.00	\$46.38	438		
B5.12/30	\$5,252.00	\$52.52	494		
LBV5.12/9.25	\$1,413.00	\$14.13	144		
LBV5.12/9.5	\$1,413.00	\$14.13	147		
LBV5.12/11.25	\$1,587.00	\$15.87	164		
LBV5.12/11.88	\$1,587.00	\$15.87	170		
LBV5.12/12	\$1,587.00	\$15.87	172		
LBV5.12/14	\$1,761.00	\$17.61	192		
LBV5.12/16	\$1,935.00	\$19.35	211		
LBV5.12/18	\$2,109.00	\$21.09	277		
LBV5.12/20	\$2,283.00	\$22.83	301		
LBV5.12/22	\$2,457.00	\$24.57	325		
LBV5.12/24	\$2,631.00	\$26.31	348		

**B HANGERS (TOP FLANGE): B, BA, HB, LBV - EWP SIZES**

Model	List Price per 100	List Price per Each	Weight lbs/100	Carton Qty	Pallet Qty
B7.12/9.25	\$2,245.00	\$22.45	217		
B7.12/9.5	\$2,245.00	\$22.45	221	15	
B7.12/11.25	\$2,552.00	\$25.52	228		
B7.12/11.88	\$2,552.00	\$25.52	254	15	
B7.12/14	\$2,859.00	\$28.59	284	15	
B7.12/16	\$3,166.00	\$31.66	312	10	
B7.12/18	\$3,473.00	\$34.73	340	10	
B7.12/20	\$3,780.00	\$37.80	368		
B7.12/22	\$4,087.00	\$40.87	396		
B7.12/24	\$4,394.00	\$43.94	424		
B7.12/26	\$4,701.00	\$47.01	452		
B7.12/28	\$5,008.00	\$50.08	480		
HB2.56/22	\$4,932.00	\$49.32	675		
HB2.56/24	\$5,253.00	\$52.53	726		
HB2.56/26	\$5,574.00	\$55.74	777		
HB2.56/28	\$5,895.00	\$58.95	828		
HB2.56/30	\$6,216.00	\$62.16	879		
HB3.56/9.25	\$2,362.00	\$23.62	361		
HB3.56/9.5	\$2,362.00	\$23.62	368		
HB3.56/11.25	\$2,683.00	\$26.83	413	8	
HB3.56/11.88	\$2,683.00	\$26.83	429	8	
HB3.56/12	\$2,683.00	\$26.83	432		
HB3.56/14	\$3,004.00	\$30.04	483		
HB3.56/16	\$3,325.00	\$33.25	534		
HB3.56/18	\$3,646.00	\$36.46	585	8	
HB3.56/20	\$3,967.00	\$39.67	636		
HB3.56/22	\$4,288.00	\$42.88	688		
HB3.56/24	\$4,609.00	\$46.09	739		
HB3.56/26	\$4,930.00	\$49.30	790		
HB3.56/28	\$5,251.00	\$52.51	841		
HB3.56/30	\$5,572.00	\$55.72	892		
HB3.56/32	\$5,893.00	\$58.93	943		
HB4.75/14	\$3,087.00	\$30.87	498		
HB4.75/16	\$3,408.00	\$34.08	549		
HB4.75/18	\$3,729.00	\$37.29	600		
HB4.75/20	\$4,050.00	\$40.50	652		
HB5.12/11.88	\$2,766.00	\$27.66	449		
HB5.12/14	\$3,087.00	\$30.87	503		
HB5.12/16	\$3,408.00	\$34.08	554		
HB5.12/18	\$3,729.00	\$37.29	605		
HB5.12/20	\$4,050.00	\$40.50	656		
HB5.12/22	\$4,371.00	\$43.71	708		
HB5.12/24	\$4,692.00	\$46.92	759		
HB5.12/26	\$5,013.00	\$50.13	810		
HB5.12/28	\$5,334.00	\$53.34	861		
HB5.12/30	\$5,655.00	\$56.55	912		

**B HANGERS (TOP FLANGE): B, BA, HB, LBV - EWP SIZES**

Model	List Price per 100	List Price per Each	Weight lbs/100	Carton Qty	Pallet Qty
HB5.50/9.25	\$2,445.00	\$24.45	386		
HB5.50/9.5	\$2,445.00	\$24.45	393		
HB5.50/11.25	\$2,766.00	\$27.66	437		
HB5.50/11.88	\$2,766.00	\$27.66	453		
HB5.50/12	\$2,766.00	\$27.66	457		
HB5.50/14	\$3,087.00	\$30.87	508		
HB5.50/16	\$3,408.00	\$34.08	559		
HB5.50/18	\$3,729.00	\$37.29	610		
HB5.50/20	\$4,050.00	\$40.50	661		
HB7.12/9.25	\$2,589.00	\$25.89	407		
HB7.12/9.5	\$2,589.00	\$25.89	413		
HB7.12/11.25	\$2,910.00	\$29.10	458		
HB7.12/11.88	\$2,910.00	\$29.10	474		
HB7.12/14	\$3,231.00	\$32.31	529		
HB7.12/16	\$3,552.00	\$35.52	580		
HB7.12/18	\$3,873.00	\$38.73	631		
HB7.12/20	\$4,194.00	\$41.94	682		
HB7.12/22	\$4,515.00	\$45.15	733		
HB7.12/24	\$4,836.00	\$48.36	784		
HB7.12/26	\$5,157.00	\$51.57	836		
HB7.12/28	\$5,478.00	\$54.78	887		

**HHB HANGERS (TOP FLANGE): SOLID SAWN SIZES**

Model	List Price per 100	List Price per Each	Weight lbs/100	Carton Qty	Pallet Qty
HHB412	\$59,895.00	\$598.95	462	10	
HHB414	\$6,306.00	\$63.06	523	9	
HHB416	\$6,627.00	\$66.27	583	6	
HHB68	\$7,417.00	\$74.17	375	15	
HHB610	\$7,737.00	\$77.37	435	12	
HHB612	\$8,059.00	\$80.59	492	8	
HHB614	\$8,379.00	\$83.79	552	10	
HHB616	\$8,701.00	\$87.01	613	10	
HHB812	\$10,687.00	\$106.87	522	10	
HHB814	\$11,006.00	\$110.06	582	10	
HHB816	\$11,329.00	\$113.29	643	10	

**HHB, GB, HGB HANGERS (TOP FLANGE): GLULAM SIZES**

Model	List Price per 100	List Price per Each	Weight lbs/100	Carton Qty	Pallet Qty
HHB3	\$4,912.00	\$49.12	349	Min H = 7.5	
HHB5	\$8,806.00	\$88.06	379	Min H = 7.5	
HHB7	\$9,614.00	\$96.14	401	Min H = 7.5	
GB3	\$6,240.00	\$62.40	307	Min H = 7.5	
GB5	\$7,945.00	\$79.45	442	Min H = 7.5	
GB7	\$8,519.00	\$85.19	471	Min H = 7.5	
HGB5	\$11,001.00	\$110.01	496	Min H = 7.5	
HGB7	\$12,913.00	\$129.13	529	Min H = 7.5	

**For the "H" Dimension Shown in This Section Only:**

**Add to list the following for each ½" or fraction:**

**HHB \$105.00, 16 lb/100**  
**GB \$118.00, 16 lb/100**  
**HGB \$147.00, 16 lb/100**

**BC BASES/CAPS COMBINATION**

Model	List Price per 100	List Price per Each	Weight lbs/100	Carton Qty	Pallet Qty
BC4	\$578.00	\$5.78	54	40	2,160
BC40	\$369.00	\$3.69	45	50	3,600
BC46	\$1,307.00	\$13.07	74	10	1,200
BC460	\$1,008.00	\$10.08	55	20	1,920
BC6	\$1,446.00	\$14.46	101	10	900
BC60	\$974.00	\$9.74	88	10	960
BC8	\$5,229.00	\$52.29	307	10	
BC80	\$3,656.00	\$36.56	155	10	1,000
BC80R	\$4,009.00	\$40.09	170	10	
BC4R	\$2,604.00	\$26.04	107	20	2,000
BC40R	\$1,210.00	\$12.10	65	20	2,000
BC46R	\$2,279.00	\$22.79	122	10	600
BC6R	\$4,774.00	\$47.74	200	10	500
BC60R	\$2,902.00	\$29.02	115	10	800

R = rough sizes

**BCS BASES/CAPS SLANT NAIL**

Model	List Price per 100	List Price per Each	Weight lbs/100	Carton Qty	Pallet Qty
BCS2-2/4	\$645.00	\$6.45	53	20	1,200
BCS2-3/6	\$1,522.00	\$15.22	83	10	480

**BP, BPPC, BPS, LBP, LBPS BEARING PLATES**

Model	List Price per 100	List Price per Each	Weight lbs/100	Carton Qty	Pallet Qty
<b>BEARING PLATE</b>					
BP 1/2	\$103.00	\$1.03	20	250	10,000
BP 1/2-3	\$358.00	\$3.58	63	50	2,000
BP 3/4	\$231.00	\$2.31	63	80	1,600
BP 3/4-3	\$358.00	\$3.58	63	50	
BP 3/8-2	\$103.00	\$1.03	20	250	
BP 5/8	\$166.00	\$1.66	40	100	2,000
BP 5/8-2	\$103.00	\$1.03	21	250	10,000
BP 5/8-3	\$358.00	\$3.58	63	50	2,000
BP 7/8	\$288.00	\$2.88	71	70	1,400
BP 7/8-2	\$352.00	\$3.52	30	100	
BP 1	\$602.00	\$6.02	122	40	800
<b>BEARING PLATE POWDER COATED</b>					
BP 1/2PC	\$180.00	\$1.80	20		
BP 5/8PC	\$180.00	\$1.80	43		
BP 5/8-2PC	\$290.00	\$2.90	20		
BP 3/4PC	\$407.00	\$4.07	63		
BP 7/8PC	\$471.00	\$4.71	74		
BP 1PC	\$869.00	\$8.69	122		

**BP, BPPC, BPS, LBP, LBPS BEARING PLATES**

Model	List Price per 100	List Price per Each	Weight lbs/100	Carton Qty	Pallet Qty
<b>LIGHT BEARING PLATE</b>					
LBP 1/2	\$78.00	\$0.78	17	50	3,000
LBP 5/8	\$78.00	\$0.78	17	50	3,000
<b>BEARING PLATE SLOTTED</b>					
LBPS 1/2	\$170.00	\$1.70	37	50	3,000
LBPS 5/8	\$170.00	\$1.70	37	50	3,000
BPS 1/2-3	\$358.00	\$3.58	54	50	2,000
BPS 3/4-3	\$358.00	\$3.58	63	50	
BPS 5/8-3	\$358.00	\$3.58	53	50	2,000

**BPS-KT BEARING PLATE KIT**

Model	List Price per 100	List Price per Each	Weight lbs/100	Description
BP5/8SKT	\$27,148.00	\$271.48	3000	Contains 50 BP5/8S and 200 SDS ¼ x 1 ½ screws

**BT BRICK TIES**

Model	List Price per 100	List Price per Each	Weight lbs/100	Carton Qty	Pallet Qty
BT-R100	\$2,924.00	\$29.24	494	5	300
BTB	\$19.00	\$0.19	6	500	36,000

Sold in full cartons only

**CB COLUMN BASES - EWP, SOLID SAWN AND GLULAM SIZES**

Model	List Price per 100	List Price per Each	Weight lbs/100	Carton Qty	Pallet Qty
CB44	\$2,504.00	\$25.04	453	10	300
CB46	\$2,636.00	\$26.36	502	9	216
CB48	\$2,980.00	\$29.80	492	6	180
CB5-4.5	\$3,250.00	\$32.50	764		
CB5-6	\$3,589.00	\$35.89	850		
CB64	\$2,766.00	\$27.66	676	6	
CB66	\$3,430.00	\$34.30	726	6	144
CB68	\$3,622.00	\$36.22	839	4	96
CB610	\$3,886.00	\$38.86	774	6	
CB612	\$4,211.00	\$42.11	839	6	
CB6-7	\$4,269.00	\$42.69	788		
CB7 1/8-4	\$6,514.00	\$65.14	1030		
CB7 1/8-6	\$6,878.00	\$68.78	1108		
CB7 1/8-7	\$7,241.00	\$72.41	1180		
CB7-6	\$6,138.00	\$61.38	1136		
CB7-7.5	\$7,102.00	\$71.02	1240		
CB7-9	\$8,017.00	\$80.17	1353		
CB7-10.5	\$8,934.00	\$89.34	1466		

**CB COLUMN BASES - EWP, SOLID SAWN AND GLULAM SIZES**

Model	List Price per 100	List Price per Each	Weight lbs/100	Carton Qty	Pallet Qty
CB86	\$6,138.00	\$61.38	1031	4	
CB88	\$7,120.00	\$71.20	1140	4	60
CB810	\$8,508.00	\$85.08	1127		
CB812	\$9,234.00	\$92.34	1185		
CB9-6	\$6,370.00	\$63.70	1187		
CB9-7.5	\$8,508.00	\$85.08	1316		
CB9-9	\$9,423.00	\$94.23	1444		
CB9-10.5	\$11,750.00	\$117.50	1573		
CB1010	\$9,423.00	\$94.23	1597		
CB1012	\$10,832.00	\$108.32	1647		
CB1212	\$11,750.00	\$117.50	1760		
CB44R	\$2,840.00	\$28.40	460		
CB66R	\$3,764.00	\$37.64	750		
CB88R	\$7,438.00	\$74.38	1188		

**R = rough sizes**      **Rough Column Sizes: Add \$336.00 to the standard CB list price.**

**CBPC COLUMN BASE POWDER COATED**

CB44PC	\$4,383.00	\$43.83	424		
CB46PC	\$4,613.00	\$46.13	450		
CB48PC	\$4,897.00	\$48.97	492		
CB66PC	\$5,692.00	\$56.92	726		
CB68PC	\$6,338.00	\$63.38	839		
CB88PC	\$12,426.00	\$124.26	1160		
CB810PC	\$14,984.00	\$149.84	1127		

**CBS STANDOFF COLUMN BASES - EWP AND SOLID SAWN SIZES**

Model	List Price per 100	List Price per Each	Weight lbs/100	Carton Qty	Pallet Qty
CBS44	\$2,905.00	\$29.05	380	12	288
CBS44R	\$3,539.00	\$35.39	410		
CBS46	\$3,702.00	\$37.02	540	9	216
CBS66	\$4,993.00	\$49.93	573	6	144

**R = rough sizes**

**CBSQ STANDOFF COLUMN BASE QUICK INSTALL - EWP AND SOLID SAWN SIZES**

Model	List Price per 100	List Price per Each	Weight lbs/100	Carton Qty	Pallet Qty
CBSQ44	\$2,905.00	\$29.05	380	12	288
CBSQ46	\$3,702.00	\$37.02	424	9	216
CBSQ66	\$4,993.00	\$49.93	600	6	144
CBSQ86	\$8,016.00	\$80.16	760	4	
CBSQ88	\$8,140.00	\$81.40	810	4	
CBSD44-SDS2	\$3,555.00	\$35.55	450	12	288
CBSD46-SDS2	\$4,352.00	\$43.52	494	9	216
CBSD66-SDS2	\$5,643.00	\$56.43	621	6	144
CBSD86-SDS2	\$8,960.00	\$89.60	772	4	
CBSD88-SDS2	\$9,192.00	\$91.92	822	4	

**NOTE: SDS 1/4" X 2" screws included with CBSQ-SDS2 models**



**LCB LIGHT COLUMN BASES - EWP AND SOLID SAWN SIZES**

Model	List Price per 100	List Price per Each	Weight lbs/100	Carton Qty	Pallet Qty
LCB44	\$1,622.00	\$16.22	204	15	360
LCB44R	\$2,455.00	\$24.55	205	15	
LCB46	\$2,137.00	\$21.37	216	10	240
LCB66	\$3,403.00	\$34.03	241	12	288
LCB66R	\$4,477.00	\$44.77	245	10	

R = rough sizes

**CC COLUMN CAPS - EWP, SOLID SAWN AND GLULAM SIZES**

Model	List Price per 100	List Price per Each	H1	CC lbs/100	ECC lbs/100	Description
CC3 1/4-4	\$10,326.00	\$103.26	6 ½	1156	870	3 ½ beam, 4x post
CC3 1/4-6	\$10,326.00	\$103.26	6 ½	1156	870	3 ½ beam, 6x post
CC3 1/4X	\$10,326.00	\$103.26	6 ½	1156	870	3 ½ beam; specify W2 max 10" for CC or 7" for ECC
CC44	\$5,698.00	\$56.98	4	669	590	4x beam, 4x post
CC44X	\$5,698.00	\$56.98	4	669	590	4x beam; specify W2 max 6 ¾ for CC or 4" for ECC
CC44TC	\$8,039.00	\$80.39	6 ½	1183	1050	4x beam, 4x post
CC46	\$8,039.00	\$80.39	6 ½	1183	967	4x beam, 6x post
CC48	\$8,039.00	\$80.39	6 ½	1183	967	4x beam, 8x post
CC4X	\$8,039.00	\$80.39	6 ½	1183	967	4x beam; specify W2 max 10" for CC or 8" for ECC
CC4.62-3.62	\$12,564.00	\$125.64	6 ½	1300	1102	Triple 2x beam, 4x post
CC4.62-4.62	\$12,564.00	\$125.64	6 ½	1300	1102	Triple 2x beam, triple 2x post
CC4.62-5.50	\$12,564.00	\$125.64	6 ½	1300	1102	Triple 2x beam, 6x post
CC4.62X	\$12,564.00	\$125.64	6 ½	1300	1102	Triple 2X beam, specify W2 max 10" for CC or 7 ¾" for ECC
CC5 1/4-4	\$12,564.00	\$125.64	8	2065	1585	5 ½ beam, 4x post
CC5 1/4-5 1/4	\$12,564.00	\$125.64	8	2065	1585	5 ½ beam, 5 ½ post
CC5 1/4-6	\$12,564.00	\$125.64	8	2065	1585	5 ½ beam, 6x post
CC5 1/4-8	\$12,564.00	\$125.64	8	2065	1585	5 ½ beam, 8x post
CC5 1/4X	\$12,564.00	\$125.64	8	2065	1585	5 ½ beam; specify W2 max 12" for CC or 9" for ECC
CC64	\$12,060.00	\$120.60	6 ½	1307	965	6x beam, 4x post
CC66	\$12,060.00	\$120.60	6 ½	1307	965	6x beam, 6x post
CC6-7 1/8	\$12,060.00	\$120.60	6 ½	1307	965	6x beam, 7" post
CC68	\$12,060.00	\$120.60	6 ½	1307	965	6x beam, 8x post
CC6X	\$12,060.00	\$120.60	6 ½	1307	965	6x beam; specify W2 max 10" for CC or 9" for ECC
CC74	\$12,594.00	\$125.94	8	2210	1839	6 ¾ beam, 4x post
CC76	\$12,594.00	\$125.94	8	2210	1839	6 ¾ beam, 6x post
CC77	\$12,594.00	\$125.94	8	2210	1839	6 ¾ beam, 6 ¾ post
CC78	\$12,594.00	\$125.94	8	2210	1839	6 ¾ beam, 8x post
CC7X	\$12,594.00	\$125.94	8	2210	1839	6 ¾ beam; specify W2 max 12" for CC or 10" for ECC
CC7 1/8-4	\$12,594.00	\$125.94	8	2325	1848	7" beam, 4x post
CC7 1/8-6	\$12,594.00	\$125.94	8	2325	1848	7" beam, 6x post
CC7 1/8-7 1/8	\$12,594.00	\$125.94	8	2325	1848	7" beam, 7" post
CC7 1/8-8	\$12,594.00	\$125.94	8	2325	1848	7" beam, 8x post

**CC COLUMN CAPS - EWP, SOLID SAWN AND GLULAM SIZES**

Model	List Price per 100	List Price per Each	H1	CC lbs/100	ECC lbs/100	Description
CC84	\$13,308.00	\$133.08	8	2270	1900	8x beam, 4x post
CC86	\$13,308.00	\$133.08	8	2270	1900	8x beam, 6x post
CC88	\$13,308.00	\$133.08	8	2270	1900	8x beam, 8x post
CC8X	\$13,308.00	\$133.08	8	2270	1900	8x beam; specify W2 max 12" for CC or 10" for ECC
CC94	\$14,171.00	\$141.71	8	2600	2160	8¾ beam, 4x post
CC96	\$14,171.00	\$141.71	8	2600	2160	8¾ beam, 6x post
CC98	\$14,171.00	\$141.71	8	2600	2160	8¾ beam, 8x post
CC9X	\$14,171.00	\$141.71	8	2600	2050	8¾ beam; specify W2 max 12" for CC or 10" for ECC
CC106	\$19,751.00	\$197.51	8	2733	2100	10x beam, 6x post
CC10X	\$19,751.00	\$197.51	8	2733	2100	10x beam: specify W2 max 10" for CC or 9 11/16" for ECC
CC12X	\$26,000.00	\$260.00	8	2800	2800	12x beam; specify W2 max 12" for CC or 9 11/16" for ECC

**CCPC, ECCPC COLUMN CAPS - POWDER COATED**

Model	List Price per 100	List Price per Each	Weight lbs/100
CC3 1/4-4PC	\$18,069.00	\$180.69	1156
CC3 1/4-6PC	\$18,069.00	\$180.69	1156
CC44PC	\$9,972.00	\$99.72	669
CC46PC	\$14,068.00	\$140.68	1183
CC5 1/4-4PC	\$19,369.00	\$193.69	2065
CC5 1/4-6PC	\$19,369.00	\$193.69	2065
CC5 1/4-8PC	\$19,369.00	\$193.69	2065
CC66PC	\$21,106.00	\$211.06	1307
CC68PC	\$21,106.00	\$211.06	1307
CC74PC	\$22,039.00	\$220.39	2210
CC76PC	\$22,039.00	\$220.39	2210
CC77PC	\$22,039.00	\$220.39	2210
CC78PC	\$22,039.00	\$220.39	2210
CC88PC	\$23,287.00	\$232.87	2270

**CCC COLUMN CAPS**

Model	List Price per 100	List Price per Each	Weight lbs/100
CCC3 1/4-6	\$43,093.00	\$430.93	3784
CCC44	\$26,419.00	\$264.19	1875
CCC46	\$42,971.00	\$429.71	3015
CCC5 1/4-4	\$60,946.00	\$609.46	5646
CCC5 1/4-6	\$60,946.00	\$609.46	5646
CCC5 1/4-8	\$60,946.00	\$609.46	5646
CCC64	\$44,035.00	\$440.35	3231
CCC66	\$44,035.00	\$440.35	3231
CCC68	\$44,035.00	\$440.35	3231
CCC76	\$65,175.00	\$651.75	6176
CCC77	\$65,175.00	\$651.75	6176
CCC78	\$65,175.00	\$651.75	6176
CCC7 1/8-4	\$65,175.00	\$651.75	6239
CCC7 1/8-6	\$65,175.00	\$651.75	6239
CCC7 1/8-7 1/8	\$65,175.00	\$651.75	6239

CCC COLUMN CAPS			
Model	List Price per 100	List Price per Each	Weight lbs/100
CCC86	\$66,310.00	\$663.10	6239
CCC88	\$66,310.00	\$663.10	6239
CCCQ3-4SDS	\$57,902.00	\$579.02	3546
CCCQ3-6SDS	\$57,902.00	\$579.02	3546
CCCQ44SDS	\$58,326.00	\$583.26	3572
CCCQ44X-SDS	\$58,326.00	\$583.26	3572
CCCQ46SDS	\$58,326.00	\$583.26	3572
CCCQ5-4SDS	\$60,154.00	\$601.54	3684
CCCQ5-6SDS	\$60,154.00	\$601.54	3684
CCCQ5-8SDS	\$60,154.00	\$601.54	3684
CCCQ64SDS	\$60,432.00	\$604.32	3701
CCCQ66SDS	\$60,432.00	\$604.32	3701
CCCQ68SDS	\$60,432.00	\$604.32	3701
CCCQ76SDS	\$64,153.00	\$641.53	3929
CCCQ77SDS	\$64,153.00	\$641.53	3929
CCCQ78SDS	\$64,153.00	\$641.53	3929
CCCQ7.1-4SDS	\$65,034.00	\$650.34	3983
CCCQ7.1-6SDS	\$65,034.00	\$650.34	3983
CCCQ7.1-7.1SDS	\$65,034.00	\$650.34	3983
CCCQ86SDS	\$66,372.00	\$663.72	4065
CCCQ88SDS	\$66,372.00	\$663.72	4065

Many combinations of beam and post sizes can be manufactured (refer to worksheet T-CCQLTC-WS) [www.strongtie.com](http://www.strongtie.com).

CCQ-SDS2.5 COLUMN CAPS QUICK-INSTALL (SDS SCREWS INCLUDED) - EWP, SOLID SAWN AND GLULAM SIZES						
Model	List Price per 100	List Price per Each	H1	CC lbs/100	ECC lbs/100	Descripton
CCQ3-4SDS2.5	\$11,952.00	\$119.52	7	1,295	1,065	3 1/8 beam, 4x post
CCQ3-6SDS2.5	\$11,952.00	\$119.52	7	1,295	1,065	3 1/8 beam, 6x post
CCQ3X-SDS2.5	\$11,952.00	\$119.52	7	1,295	1,065	3 1/8 beam; specify W2 max 10" for CCQ or 8" for ECCQ
CCQ44SDS2.5	\$9,768.00	\$97.68	7	1,315	1,079	4x beam, 4x post
CCQ46SDS2.5	\$9,768.00	\$97.68	7	1,315	1,079	4x beam, 6x post
CCQ48SDS2.5	\$9,768.00	\$97.68	7	1,315	1,079	4x beam, 8x post
CCQ4X-SDS2.5	\$9,768.00	\$97.68	7	1,315	1,079	4x beam; specify W2 max 10" for CCQ or 8" for ECCQ
CCQ4.62-3.62SDS	\$12,796.00	\$127.96	7	1,500	1,292	Triple 2x beam, 4x post
CCQ4.62-4.62SDS	\$12,796.00	\$127.96	7	1,500	1,292	Triple 2x beam, triple 2x post
CCQ4.62-5.50SDS	\$12,796.00	\$127.96	7	1,500	1,292	Triple 2x beam, 6x post
CCQ5-4SDS2.5	\$12,796.00	\$127.96	7	1,911	1,746	5 1/8 beam, 4x post
CCQ5-6SDS2.5	\$12,796.00	\$127.96	7	1,911	1,746	5 1/8 beam, 6x post
CCQ5-8SDS2.5	\$12,796.00	\$127.96	7	1,911	1,746	5 1/8 beam, 8x post
CCQ5X-SDS2.5	\$12,796.00	\$127.96	7	1,911	1,746	5 1/8 beam; specify W2 max 10" for CCQ or 8" for ECCQ

**CCQ-SDS2.5 COLUMN CAPS QUICK-INSTALL (SDS SCREWS INCLUDED) - EWP, SOLID SAWN AND GLULAM SIZES**

Model	List Price per 100	List Price per Each	H1	CC lbs/100	ECC lbs/100	Description
CCQ64SDS2.5	\$13,788.00	\$137.88	7	1425	1425	6x beam, 4x post
CCQ66SDS2.5	\$13,788.00	\$137.88	7	1425	1169	6x beam, 6x post
CCQ6-7.13SDS2.5	\$13,788.00	\$137.88	7	1425	1026	6x beam, 7" post
CCQ68SDS2.5	\$13,788.00	\$137.88	7	1425	1169	6x beam, 8x post
CCQ6X-SDS2.5	\$13,788.00	\$137.88	7	1425	1169	6x beam; specify W2 max 10" for CCQ or 8" for ECCQ
CCQ74SDS2.5	\$14,394.00	\$143.94	7	1515	1169	6¾ beam, 4x post
CCQ76SDS2.5	\$14,394.00	\$143.94	7	1515	1169	6¾ beam, 6x post
CCQ77SDS2.5	\$14,394.00	\$143.94	7	1515	1169	6¾ beam, 6¾ post
CCQ78SDS2.5	\$14,394.00	\$143.94	7	1515	1169	6¾ beam, 8x post
CCQ7X-SDS2.5	\$14,394.00	\$143.94	7	1515	1169	6¾ beam; specify W2 max 10½" for CCQ or 8" for ECCQ
CCQ7.1-4SDS2.5	\$14,394.00	\$143.94	7	1515	1169	7" beam, 4x post
CCQ7.1-6SDS2.5	\$14,394.00	\$143.94	7	1515	1169	7" beam, 6x post
CCQ7.1-7.1SDS2.5	\$14,394.00	\$143.94	7	1515	1169	7" beam, 7" post
CCQ7.1-8SDS2.5	\$14,394.00	\$143.94	7	1515	1169	7" beam, 8x post
CCQ7.12X-SDS2.5	\$14,394.00	\$143.94	7	1515	1169	7" beam; specify W2 max 10½" for CCQ or 8" for ECCQ
CCQ86SDS2.5	\$15,036.00	\$150.36	7	2029	1659	8x beam, 6x post
CCQ88SDS2.5	\$15,036.00	\$150.36	7	2029	1659	8x beam, 8x post
CCQ8X-SDS2.5	\$15,036.00	\$150.36	7	2029	1659	8x beam, specify W2 max 10½" for CCQ or 8" for ECCQ
CCQ96SDS2.5	\$15,898.00	\$158.98	7	2136	1739	8¾x beam, 6x post
CCQ98SDS2.5	\$15,898.00	\$158.98	7	2136	1739	8¾x beam, 8x post
CCQ9X-SDS2.5	\$15,898.00	\$158.98	7	2136	1739	8¾x beam, specify W2 max 10½" for CCQ or 8" for ECCQ
CCQ106SDS2.5	\$21,477.00	\$214.77	7	2184	1776	10x beam, 6x post
CCQ10X-SDS2.5	\$21,477.00	\$214.77	7	2184	1776	10x beam, specify W2

**CCT/CCTQ COLUMN CAPS - EWP, SOLID SAWN AND GLULAM SIZES**

Model	List Price per 100	List Price per Each	Weight lbs/100	Carton Qty	Pallet Qty
CCT3 1/4-4	\$29,081.00	\$290.81	2614		
CCT3 1/4-6	\$29,081.00	\$290.81	2614		
CCT44	\$17,744.00	\$177.44	1340		
CCT46	\$28,578.00	\$285.78	2100		
CCT5 1/4-4	\$41,273.00	\$412.73	3851		
CCT5 1/4-6	\$41,273.00	\$412.73	3851		
CCT5 1/4-8	\$41,273.00	\$412.73	3851		
CCT64	\$33,927.00	\$339.27	2244		
CCT66	\$33,927.00	\$339.27	2244		
CCT68	\$33,927.00	\$339.27	2244		

Many combinations of beam and post sizes can be manufactured (refer to worksheet T-CCLTC-WS) [www.strongtie.com](http://www.strongtie.com).

**CCT/CCTQ COLUMN CAPS - EWP, SOLID SAWN AND GLULAM SIZES**

<b>Model</b>	<b>List Price per 100</b>	<b>List Price per Each</b>	<b>Weight lbs/100</b>	<b>Carton Qty</b>	<b>Pallet Qty</b>
CCT76	\$44,031.00	\$440.31	4204		
CCT77	\$44,031.00	\$440.31	4204		
CCT78	\$44,031.00	\$440.31	4204		
CCT7 1/8-4	\$44,031.00	\$440.31	4246		
CCT7 1/8-6	\$44,031.00	\$440.31	4246		
CCT7 1/8-7 1/8	\$44,031.00	\$440.31	4246		
CCT86	\$45,096.00	\$450.96	4246		
CCT88	\$45,096.00	\$450.96	4246		
CCTQ3-4SDS	\$47,648.00	\$476.48	2918		
CCTQ3-6SDS	\$47,648.00	\$476.48	2918		
CCTQ44SDS	\$48,056.00	\$480.56	2943		
CCTQ44X-SDS	\$48,056.00	\$480.56	2943		
CCTQ46SDS	\$48,056.00	\$480.56	2943		
CCTQ5-4SDS	\$49,900.00	\$499.00	3056		
CCTQ5-6SDS	\$49,900.00	\$499.00	3056		
CCTQ5-8SDS	\$49,900.00	\$499.00	3056		
CCTQ64SDS	\$50,177.00	\$501.77	3073		
CCTQ66SDS	\$50,177.00	\$501.77	3073		
CCTQ68SDS	\$50,177.00	\$501.77	3073		
CCTQ7.1-4SDS	\$54,225.00	\$542.25	3321		
CCTQ7.1-6SDS	\$54,225.00	\$542.25	3321		
CCTQ7.1-7.1SDS	\$54,225.00	\$542.25	3321		
CCTQ76SDS	\$53,425.00	\$534.25	3272		
CCTQ77SDS	\$53,425.00	\$534.25	3272		
CCTQ78SDS	\$53,425.00	\$534.25	3272		
CCTQ7.1-4SDS	\$54,225.00	\$542.25	3321		
CCTQ7.1-6SDS	\$54,225.00	\$542.25	3321		
CCTQ7.1-7.1SDS	\$54,225.00	\$542.25	3321		
CCTQ86SDS	\$55,449.00	\$554.49	3396		
CCTQ88SDS	\$55,449.00	\$554.49	3396		

**Many combinations of beam and post sizes can be manufactured (refer to worksheet T-CCQLTC-WS and T-CCLTC-WS) [www.strongtie.com](http://www.strongtie.com).**

**ECCL COLUMN CAPS - EWP, SOLID SAWN AND GLULAM SIZES**

Model	List Price per 100	List Price per Each	Weight lbs/100	Carton Qty	Pallet Qty
ECCL3 1/4-4	\$29,081.00	\$290.81	2251		
ECCL3 1/4-6	\$29,081.00	\$290.81	2251		
ECCL44	\$17,744.00	\$177.44	1122		
ECCL46	\$28,578.00	\$285.78	1882		
ECCL5 1/4-4	\$41,273.00	\$412.73	3354		
ECCL5 1/4-6	\$41,273.00	\$412.73	3354		
ECCL5 1/4-8	\$41,273.00	\$412.73	3354		
ECCL64	\$33,927.00	\$339.27	1927		
ECCL66	\$33,927.00	\$339.27	1927		
ECCL68	\$33,927.00	\$339.27	1927		
ECCL76	\$44,031.00	\$440.31	3663		
ECCL77	\$44,031.00	\$440.31	3663		
ECCL78	\$44,031.00	\$440.31	3663		
ECCL7 1/8-4	\$44,031.00	\$440.31	3878		
ECCL7 1/8-6	\$44,031.00	\$440.31	3878		
ECCL7 1/8-7 1/8	\$44,031.00	\$440.31	3878		
ECCL86	\$45,096.00	\$450.96	3878		
ECCL88	\$45,096.00	\$450.96	3878		
ECCLL444	\$17,744.00	\$177.44	1122		
ECCLL464	\$28,578.00	\$285.78	1882		
ECCLL666	\$33,927.00	\$339.27	1927		
ECCLR444	\$17,744.00	\$177.44	1122		
ECCLR464	\$28,578.00	\$285.78	1882		
ECCLR666	\$33,927.00	\$339.27	1927		
ECCLQ3-4SDS	\$42,830.00	\$428.30	2621		
ECCLQ3-6SDS	\$42,798.00	\$427.98	2621		
ECCLQ3X-SDS	\$42,798.00	\$427.98	2621		
ECCLQ44SDS	\$43,157.00	\$431.57	2643		
ECCLQ46SDS	\$43,157.00	\$431.57	2643		
ECCLQ48SDS	\$43,549.00	\$435.49	2667		
ECCLQ5-4SDS	\$44,724.00	\$447.24	2739		
ECCLQ5-6SDS	\$44,724.00	\$447.24	2739		
ECCLQ5-8SDS	\$44,724.00	\$447.24	2739		

Many combinations of beam and post sizes can be manufactured (refer to worksheet T-CCQLTC-WS and T-CCLTC-WS) [www.strongtie.com](http://www.strongtie.com).

**ECCL COLUMN CAPS - EWP, SOLID SAWN AND GLULAM SIZES**

<b>Model</b>	<b>List Price per 100</b>	<b>List Price per Each</b>	<b>Weight lbs/100</b>	<b>Carton Qty</b>	<b>Pallet Qty</b>
ECCLQ64SDS	\$44,968.00	\$449.68	2754		
ECCLQ66SDS	\$44,968.00	\$449.68	2754		
ECCLQ68SDS	\$44,968.00	\$449.68	2754		
ECCLQ74SDS	\$46,747.00	\$467.47	2882		
ECCLQ76SDS	\$46,747.00	\$467.47	2863		
ECCLQ77SDS	\$46,747.00	\$467.47	2863		
ECCLQ78SDS	\$46,747.00	\$467.47	2863		
ECCLQ7.1-4SDS	\$47,057.00	\$470.57	2882		
ECCLQ7.1-6SDS	\$47,057.00	\$470.57	2882		
ECCLQ7.1-7.1SDS	\$47,057.00	\$470.57	2882		
ECCLQ86SDS	\$47,547.00	\$475.47	2912		
ECCLQ88SDS	\$47,547.00	\$475.47	2912		
ECCLLQ444SDS	\$43,157.00	\$431.57	2643		
ECCLLQ464SDS	\$43,157.00	\$431.57	2643		
ECCLLQ666SDS	\$44,968.00	\$449.68	2754		
ECCLRQ444SDS	\$43,157.00	\$431.57	2643		
ECCLRQ464SDS	\$43,158.00	\$431.58	2644		
ECCLRQ666SDS	\$44,968.00	\$449.68	2754		

**Many combinations of beam and post sizes can be manufactured (refer to worksheet T-CCQLTC-WS) [www.strongtie.com](http://www.strongtie.com).**

## NOTES ON COLUMN CAPS:

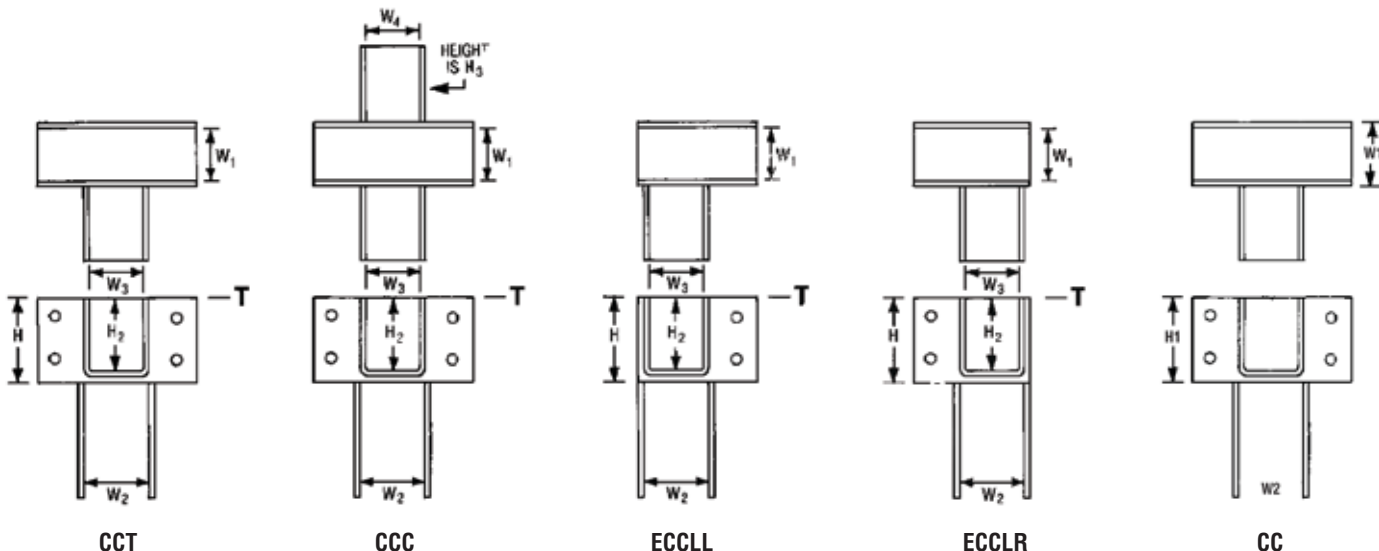
- **CCQM, ECCLQM, CCTQM:** Contact factory for pricing.
- **ECC** pricing: Same as CC pricing.
- **ECCQ** pricing: Same as CCQ pricing.
- **ECCU** pricing: Contact Simpson Strong-Tie.
- **ROTATED STRAPS:** No extra charge for 90° strap rotation where W1 is greater than W2. Contact Simpson for pricing when W2 is greater than W1.
- **CCO, CCOT, CCOC, ECCO, ECCOL** pricing: Subtract \$1053.00 from comparable standard CC, CCT, CCC, ECC, ECCL, list price per 100 to omit straps.
- **CCOQ, ECCLOQ, CCCOQ, CCTOQ, ECCOQ** pricing: Subtract \$1255.00 from comparable standard CCQ, ECCQ, ECCLQ, CCTQ or CCCQ list price per 100 to omit straps.
- **CCOB** pricing example: CCOB68 list price is equal to the total of CC6X list price plus CC8X list price.
- **Rough beam sizes (W1, W3, W4):** Add \$1180.00 to the standard CC, CCQ, CCTQ, CCC, ECC, ECCQ, ECCL and ECCLQ list price per 100.

- (1) Weight lbs/100 MAY VARY DEPENDING ON FINAL DESIGN.
- (2) ECCLs: FOR W3, SPECIFY DIMENSIONS AND "L" FOR LEFT AND "R" FOR RIGHT.
- (3) CCCs AND CCTs: SPECIFY W3 AND W4 DIMENSIONS WHERE NEEDED.
- (4) INCREASE/DECREASE H2 AND/OR H3 AS NECESSARY WHEN NON-FLUSH BOTTOM IS DESIRED. as for different beam heights.

### CONSULT FACTORY FOR LIMITATIONS, MANUFACTURABILITY, PERFORMANCE, AND PRICE FOR THESE CONDITIONS:

- (1) If H1 must be modified.
- (2) If H2 or H3 is not flush with the top of cap (T).
- (3) If H2 or H3 is less than 6 1/2".
- (4) If rotated straps are required.

### WHEN USING 4X BEAMS AND HEIGHT IS 6 1/2" OR GREATER, USE CCC46, CCT46, OR ECCL46 PRICE.



For multi-beam column caps, many combinations of beam and post sizes can be manufactured, refer to worksheets T-CCQLTC-WS and T-CCLTC-WS.



**CJT CONCEALED JOIST-TIES**

Model	List Price per 100	List Price per Each	Weight lbs/100	Carton Qty	Pallet Qty
CJT3L	\$3,310.00	\$33.10	207		100
CJT3S	\$3,310.00	\$33.10	173		100
CJT4L	\$3,811.00	\$38.11	260		100
CJT4S	\$3,811.00	\$38.11	216		100
CJT5L	\$3,951.00	\$39.51	313		100
CJT5S	\$3,951.00	\$39.51	257		100
CJT6L	\$4,269.00	\$42.69	366		100
CJT6S	\$4,269.00	\$42.69	300		

**SPARE PINS AND SCREWS MAY BE ORDERED: (PIN SIZES LISTED BELOW)**

Model	List Price per 100	List Price per Each	Weight lbs/100	Carton Qty	Description
CJTSP	\$185.00	\$1.85	16	10	Short Pins: ½" x 2¾" Sold in full cartons only
CJTPL	\$185.00	\$1.85	28	10	Long Pins ½" x 4¾" Sold in full cartons only

**CSC/FSS CEILING SUPPORT CLIP AND FURRING STABILIZER STRAP**

Model	List Price per 100	List Price per Each	Weight lbs/100	Carton Qty	Pallet Qty
CSC	\$84.00	\$0.84	5	600	18,000
FSS	\$79.00	\$0.79	4	200	60,000

**DPC, DPPC DECORATIVE POST COVERS**

Model	List Price per 100	List Price per Each	Weight lbs/100	Carton Qty	Pallet Qty
DPC4A	\$250.00	\$2.50	6	25	3,000
DPC4G	\$424.00	\$4.24	7	25	3,000
DPPC4BK	\$197.00	\$1.97	8	25	3,000
DPPC6BK	\$328.00	\$3.28	16	25	2,250

**DS DRYWALL STOP**

Model	List Price per 100	List Price per Each	Weight lbs/100	Carton Qty	Pallet Qty
DS	\$24.00	\$0.24	3	300	36,000

**DSC-SDS DRAG STRUT CONNECTORS**

Model	List Price per 100	List Price per Each	Weight lbs/100	Carton Qty	Pallet Qty
DSC2L-SDS3	\$7,276.00	\$72.76	400		
DSC2R-SDS3	\$7,276.00	\$72.76	400		
DSC5L-SDS3	\$10,676.00	\$106.76	750		
DSC5R-SDS3	\$10,676.00	\$106.76	750		

**ECBQ ELEVATED COLUMN BASES**

Model	List Price per 100	List Price per Each	Weight lbs/100	Carton Qty	Pallet Qty
ECBQ66-SDS	\$15,912.00	\$159.12	600	4	
ECBQ88-SDS	\$21,216.00	\$212.16	720	4	

**EPB, EPBA ELEVATED POST BASES**

Model	List Price per 100	List Price per Each	Weight lbs/100	Carton Qty	Pallet Qty
EPB44	\$1,325.00	\$13.25	152	10	900
EPB44A	\$1,107.00	\$11.07	128	10	720
EPB44AMB	\$962.00	\$9.62	123	50	500
EPB44MB	\$1,325.00	\$13.25	170	50	500
EPB44TB	\$1,028.00	\$10.28	99		
EPB44TMB	\$1,028.00	\$10.28	99	50	
EPB46	\$1,884.00	\$18.84	187	10	300
EPB66	\$2,821.00	\$28.21	247	10	300

Sold in full cartons only

**EPB-12 ELEVATED POST BASES WITH 12" PIPE**

Model	List Price per 100	List Price per Each	Weight lbs/100	Carton Qty	Pallet Qty
EPB44-12	\$1,394.00	\$13.94	187	10	600
EPB46-12	\$2,033.00	\$20.33	225	10	400
EPB66-12	\$3,000.00	\$30.00	277	10	300

**EPBP & EPBT ELEVATED POST BASES**

Model	List Price per 100	List Price per Each	Weight lbs/100	Carton Qty	Pallet Qty
EPB44PHDG	\$1,837.00	\$18.37	170	10	1,080
EPB44T	\$998.00	\$9.98	99	25	750

**HETA, META, HETAL, HHETA, TSS2, TSS2-2, TSS4 TRUSS ANCHORS**

Model	List Price per 100	List Price per Each	Weight lbs/100	Carton Qty	Pallet Qty
-------	--------------------	---------------------	----------------	------------	------------

**HETA HEAVY EMBEDDED TRUSS ANCHORS**

HETA12	\$143.00	\$1.43	26	50	3,600
HETA16	\$163.00	\$1.63	34	50	2,400
HETA20	\$203.00	\$2.03	41	50	2,400
HETA24	\$245.00	\$2.45	49	50	2,500
HETA40	\$1,164.00	\$11.64	86		

**HETAL HEAVY EMBEDDED TRUSS ANCHORS LATERAL**

HETAL12	\$227.00	\$2.27	71	50	1,800
HETAL16	\$245.00	\$2.45	79	50	1,800
HETAL20	\$271.00	\$2.71	88	50	1,800
DETAL20	\$775.00	\$7.75	88	16	384

**HETA, META, HETAL, HHETA, TSS2, TSS2-2, TSS4 TRUSS ANCHORS**

Model	List Price per 100	List Price per Each	Weight lbs/100	Carton Qty	Pallet Qty
<b>HHETA HEAVY-HEAVY EMBEDDED TRUSS ANCHORS</b>					
HHETA12	\$170.00	\$1.70	26	50	2,300
HHETA14	\$201.00	\$2.01	30	50	2,400
HHETA16	\$228.00	\$2.28	34	50	2,400
HHETA18	\$256.00	\$2.56	38	50	2,400
HHETA20	\$271.00	\$2.71	41	50	2,400
HHETA22	\$311.00	\$3.11	45	50	
HHETA24	\$328.00	\$3.28	45	50	2,500
HHETA40	\$1,391.00	\$13.91	75		
<b>HHETA HEAVY-HEAVY EMBEDDED TRUSS ANCHORS TWISTED</b>					
HHEAT12	\$170.00	\$1.70	26	50	
HHEAT14	\$201.00	\$2.01	30	50	
HHEAT16	\$228.00	\$2.28	34	50	
HHEAT18	\$256.00	\$2.56	38	50	
HHEAT20	\$271.00	\$2.71	41	50	
HHEAT22	\$311.00	\$3.11	45	50	
META12	\$79.00	\$0.79	22	100	3,600
META14	\$88.00	\$0.88	25	100	4,800
META16	\$91.00	\$0.91	27	100	4,800
META18	\$103.00	\$1.03	31	100	4,800
META20	\$106.00	\$1.06	34	100	4,800
META22	\$126.00	\$1.26	37	100	4,000
META24	\$137.00	\$1.37	40	100	4,000
META40	\$934.00	\$9.34	67	10	
<b>META MEDIUM EMBEDDED TRUSS ANCHORS TWISTED</b>					
METAT12	\$79.00	\$0.79	22	100	3,600
METAT14	\$88.00	\$0.88	25	100	4,800
METAT16	\$91.00	\$0.91	27	100	4,800
METAT18	\$103.00	\$1.03	31	100	4,800
METAT20	\$109.00	\$1.09	34	100	4,800
METAT22	\$126.00	\$1.26	37	100	3,000
METAT24	\$107.00	\$1.07	41		
<b>TSS TRUSS SEATS</b>					
TSS2	\$75.00	\$0.75	18	100	5,400
TSS2-2	\$118.00	\$1.18	28	100	4,000
TSS4	\$136.00	\$1.36	39	100	4,000

**META WITH TSS ATTACHED**

Carton quantity is 50 sets, add \$12.00 per 100 each to the combined list prices of META and TSS.

**EXAMPLE:**

To order 100 META 16's attached to 100 TSS2's, order item META16/TSS2. The list price would be:

\$91.00
\$75.00
+ \$9.00
<hr/>
\$175.00

(packed 50 per carton when attached to TSS's)

**F, HF, HFN FORMED SEAT HANGERS, HEAVY FORMED SEAT HANGERS**

Model	List Price per 100	List Price per Each	Weight lbs/100	Carton Qty	Pallet Qty
HF24N	\$103.00	\$1.03	20	200	4,800
F24-2	\$235.00	\$2.35	32	150	4,500
HF26N	\$173.00	\$1.73	26	150	4,500
F26P	\$181.00	\$1.81	25	150	4,500
F26-2	\$256.00	\$2.56	41	100	3,000
HF34N	\$180.00	\$1.80	29	125	3,750
HF36N	\$291.00	\$2.91	38	100	3,000
F44	\$271.00	\$2.71	35	150	3,600
F46	\$355.00	\$3.55	46	100	3,000

**FA, FAP, FJA, FSA, HFA FOUNDATION ANCHORS**

Model	List Price per 100	List Price per Each	Weight lbs/100	Carton Qty	Pallet Qty
FA6	\$1,651.00	\$16.51	251	10	720
FA8	\$1,970.00	\$19.70	306	10	480
FAP	\$1,650.00	\$16.50	328	5	500
FJA	\$1,123.00	\$11.23	140	10	1,000
FSA	\$1,449.00	\$14.49	181	10	1,000
HFA6	\$3,599.00	\$35.99	552		150
HFA8	\$4,103.00	\$41.03	640		150

**FB FENCE BRACKETS**

Model	List Price per 100	List Price per Each	Weight lbs/100	Carton Qty	Pallet Qty
FB14	\$107.00	\$1.07	9	100	9,600
FB24	\$86.00	\$0.86	10	100	9,600
FB24B	\$54.00	\$0.54	10	500	15,000
FB24R	\$129.00	\$1.29	12	100	10,000
FBL24	\$86.00	\$0.86	7	100	9,600
FBR24	\$91.00	\$0.91	14	100	9,600
FB26	\$286.00	\$2.86	25	25	3,000

Sold in full cartons only

**FC FRAMING CLIPS**

Model	List Price per 100	List Price per Each	Weight lbs/100	Carton Qty	Pallet Qty
FC4	\$423.00	\$4.23	23	100	3,600
FC6	\$664.00	\$6.64	32	100	

**FPB EZ BASE MENDER AND SPIKE**

Model	List Price per 100	List Price per Each	Weight lbs/100	Carton Qty	Pallet Qty
FPBB44	\$2,829.00	\$28.29	300	10	360
FPBM44E	\$3,860.00	\$38.60	450	6	192
FPBS44	\$7,495.00	\$74.95	700	4	128

**FSC FLOOR SPAN CONNECTOR**

Model	List Price per 100	List Price per Each	Weight lbs/100	Carton Qty	Pallet Qty
FSC	\$545.00	\$5.45	86	24	1,152

**FTA, LFTA FLOOR TIE CONNECTORS**

Model	List Price per 100	List Price per Each	Weight lbs/100	Carton Qty	Pallet Qty
FTA2	\$5,723.00	\$57.23	442		
FTA5	\$5,996.00	\$59.96	608		
FTA7	\$10,570.00	\$105.70	1387		
LFTA	\$1,561.00	\$15.61	142	20	1,000

**FTA, LFTA FLOOR TIE ANCHORS:**

NOTES: • All standard FTA's have a 17" clearspan.

• For greater than 17" clearspan, add to list price per 100, for each additional inch or fraction thereof.

FTA2 \$91.00      FTA5 \$105.00      FTA7 \$132.00

**FW FOUR WAY CONNECTORS**

Model	List Price per 100	List Price per Each	Weight lbs/100	Carton Qty	Pallet Qty
FWH2	\$291.00	\$2.91	61	25	1,200
FWL2	\$287.00	\$2.87	49	25	1,200

**GA GUSSET ANGLES**

Model	List Price per 100	List Price per Each	Weight lbs/100	Carton Qty	Pallet Qty
GA1	\$72.00	\$0.72	6	100	12,000
GA2	\$91.00	\$0.91	10	100	12,000

**GH GIRDER HANGERS**

Model	List Price per 100	List Price per Each	Weight lbs/100	Carton Qty	Height in Inches	Pallet Qty
GH46-6	\$3,216.00	\$32.16	261	15	4	360
GH46-6/3	\$3,216.00	\$32.16	261	15	4	
GH46-8	\$3,720.00	\$37.20	297	15	4	360
GH46-8/3	\$3,720.00	\$37.20	297	15	4	
GH48-6	\$3,593.00	\$35.93	304	15	6	360
GH48-6/3	\$3,593.00	\$35.93	304	15	6	
GH48-8	\$3,713.00	\$37.13	332	15	6	360
GH48-8/3	\$3,713.00	\$37.13	332	15	6	
GH66-6	\$4,149.00	\$41.49	293		4	
GH66-8	\$4,279.00	\$42.79	296		4	
GH68-6	\$4,304.00	\$43.04	332		4	
GH68-8	\$4,435.00	\$44.35	335		4	

GH GIRDER HANGERS						
Model	List Price per 100	List Price per Each	Weight lbs/100	Carton Qty	Height in Inches	Pallet Qty
GHD46-6	\$6,844.00	\$68.44	400		4	
GHD46-8	\$7,850.00	\$78.50	400		4	
GHD48-6	\$7,597.00	\$75.97	400		6	
GHD48-8	\$7,836.00	\$78.36	400		6	
GHD66-6	\$8,709.00	\$87.09	400		4	
GHD66-8	\$8,968.00	\$89.68	400		4	
GHD68-6	\$9,020.00	\$90.20	400		6	
GHD68-8	\$9,281.00	\$92.81	400		6	

**GH GIRDER HANGERS:**

- 1. GREATER "H" DIMENSIONS:** Add to list price per 100: \$35.00 for each inch or fraction thereof. Set-up charge applies.
- 2. SKEWED CHARGE:** Add to list price per 100: \$5192.00 for special sizes or variations. Set-up charge applies.
- 3. SET-UP CHARGE:** Where set-up charge applies, add a single \$25.00 net set-up charge for any and all modification(s) including any combination of modifications.

GLTV, HGLTV HEAVY DUTY HANGERS (TOP FLANGE) - EWP SIZES						
Model	List Price per 100	List Price per Each	Weight lbs/100	Carton Qty	Pallet Qty	
GLTV2.75/9.5	\$9,828.00	\$98.28	1035			
GLTV2.75/11.25	\$10,600.00	\$106.00	1114			
GLTV2.75/11.88	\$10,793.00	\$107.93	1146			
GLTV2.75/12	\$10,793.00	\$107.93	1146			
GLTV2.75/14	\$11,565.00	\$115.65	1306			
GLTV2.75/16	\$12,337.00	\$123.37	1386			
GLTV2.75/18	\$13,109.00	\$131.09	1550			
GLTV2.75/9.25	\$9,828.00	\$98.28	1035			
GLTV3.511	\$10,969.00	\$109.69	1146			
GLTV3.512	\$10,969.00	\$109.69	1146			
GLTV3.514	\$11,741.00	\$117.41	1306			
GLTV3.516	\$12,513.00	\$125.13	1386			
GLTV3.518	\$13,285.00	\$132.85	1466			
GLTV3.520	\$14,057.00	\$140.57	1630			
GLTV3.56/9.25	\$10,004.00	\$100.04	929			
GLTV3.56/11.25	\$10,776.00	\$107.76	1119			
GLTV3.56/11.5	\$10,776.00	\$107.76	1119			
GLTV3.56/12.5	\$11,162.00	\$111.62	1119			
GLTV3.56/13.25	\$11,548.00	\$115.48	1246			
GLTV3.56/15.25	\$12,320.00	\$123.20	1356			
GLTV3.56/18.75	\$13,671.00	\$136.71	1518			
GLTV3.56/19	\$13,671.00	\$136.71	1480			
GLTV3520-2	\$14,244.00	\$142.44	1605			
GLTV3522-2	\$15,016.00	\$150.16	1707			
GLTV3524-2	\$15,788.00	\$157.88	1809			

**GLTV, HGLTV HEAVY DUTY HANGERS (TOP FLANGE) - EWP SIZES**

<b>Model</b>	<b>List Price per 100</b>	<b>List Price per Each</b>	<b>Weight lbs/100</b>	<b>Carton Qty</b>	<b>Pallet Qty</b>
GLTV49.25-2	\$11,186.00	\$111.86	1263		
GLTV49.5-2	\$11,186.00	\$111.86	1263		
GLTV411.25-2	\$11,958.00	\$119.58	1371		
GLTV411.88-2	\$12,151.00	\$121.51	1398		
GLTV412-2	\$12,151.00	\$121.51	1398		
GLTV414-2	\$12,923.00	\$129.23	1506		
GLTV416-2	\$13,695.00	\$136.95	1614		
GLTV418.75-2	\$14,853.00	\$148.53	1722		
GLTV418-2	\$14,467.00	\$144.67	1722		
GLTV420-2	\$15,239.00	\$152.39	1830		
GLTV422-2	\$16,011.00	\$160.11	1938		
GLTV424-2	\$16,783.00	\$167.83	2046		
GLTV426-2	\$17,555.00	\$175.55	2164		
GLTV428-2	\$18,327.00	\$183.27	2262		
GLTV430-2	\$19,099.00	\$190.99	2370		
GLTV432-2	\$19,871.00	\$198.71	2370		
GLTV5.50/9.25	\$10,856.00	\$108.56	1170		
GLTV5.50/11.25	\$11,628.00	\$116.28	1170		
GLTV5.50/13.25	\$12,400.00	\$124.00	1297		
GLTV5.50/15.25	\$13,172.00	\$131.72	1407		
GLTV5.50/18.75	\$14,523.00	\$145.23	1547		
GLTV5.50/19	\$14,523.00	\$145.23	1589		
GLTV5.59	\$10,856.00	\$108.56	1064	3	
GLTV5.511	\$11,821.00	\$118.21	1197		
GLTV5.512	\$11,821.00	\$118.21	1197		
GLTV5.514	\$12,593.00	\$125.93	1357	3	
GLTV5.516	\$13,365.00	\$133.65	1437		
GLTV5.518	\$14,137.00	\$141.37	1517		
GLTV5.520	\$14,909.00	\$149.09	1625		
GLTV7.12/19	\$14,853.00	\$148.53	1600		
GLTV7.37/9.25	\$11,186.00	\$111.86	2200		
GLTV7.37/9.5	\$11,186.00	\$111.86	2200		
GLTV7.37/11.25	\$11,958.00	\$119.58	2200		
GLTV7.37/11.88	\$12,151.00	\$121.51	2200		
GLTV7.37/14	\$12,923.00	\$129.23	2200		
GLTV7.37/16	\$13,695.00	\$136.95	2200		
GLTV7.37/18	\$14,467.00	\$144.67	2200		
HGLTV2.75/9.25	\$12,311.00	\$123.11	1550		
HGLTV2.75/9.5	\$12,311.00	\$123.11	1552		
HGLTV2.75/11.25	\$13,847.00	\$138.47	1660		
HGLTV2.75/11.88	\$14,231.00	\$142.31	1685		
HGLTV2.75/12	\$14,231.00	\$142.31	1690		
HGLTV2.75/14	\$15,767.00	\$157.67	1883		
HGLTV2.75/16	\$17,303.00	\$173.03	1978		
HGLTV2.75/18	\$18,839.00	\$188.39	1969		

**GLTV, HGLTV HEAVY DUTY HANGERS (TOP FLANGE) - EWP SIZES**

Model	List Price per 100	List Price per Each	Weight lbs/100	Carton Qty	Pallet Qty
HGLTV3.56/9.25	\$12,311.00	\$123.11	1668		
HGLTV3.511	\$14,231.00	\$142.31	1690		
HGLTV3.512	\$14,231.00	\$142.31	1690		
HGLTV3.514	\$15,767.00	\$157.67	1882		
HGLTV3.516	\$17,303.00	\$173.03	1978		
HGLTV3.518	\$18,839.00	\$188.39	2074		
HGLTV3.520	\$20,375.00	\$203.75	2202		
HGLTV3.56/11.25	\$13,847.00	\$138.47	1668		
HGLTV3.56/11.5	\$13,847.00	\$138.47	1668		
HGLTV3.56/18.75	\$19,607.00	\$196.07	2100		
HGLTV3.56/19	\$19,607.00	\$196.07	1988		
HGLTV3526-2	\$25,221.00	\$252.21	2648		
HGLTV3528-2	\$26,757.00	\$267.57	2770		
HGLTV3530-2	\$28,293.00	\$282.93	2892		
HGLTV411.25-2	\$14,678.00	\$146.78	1875		
HGLTV411.88-2	\$15,062.00	\$150.62	1907		
HGLTV412-2	\$15,062.00	\$150.62	1907		
HGLTV414-2	\$16,598.00	\$165.98	2035		
HGLTV416-2	\$18,134.00	\$181.34	2163		
HGLTV418-2	\$19,670.00	\$196.70	2291		
HGLTV420-2	\$21,206.00	\$212.06	2419		
HGLTV426-2	\$25,814.00	\$258.14	2700		
HGLTV428-2	\$27,350.00	\$273.50	2820		
HGLTV430-2	\$28,886.00	\$288.86	2930		
HGLTV432-2	\$30,422.00	\$304.22	3187		
HGLTV5.59	\$12,933.00	\$129.33	1602		
HGLTV5.50/11.5	\$14,469.00	\$144.69	1762		
HGLTV5.511	\$14,853.00	\$148.53	1762		
HGLTV5.512	\$14,853.00	\$148.53	1762		
HGLTV5.50/12.5	\$15,237.00	\$152.37	1765		
HGLTV5.514	\$16,389.00	\$163.89	1954		
HGLTV5.516	\$17,925.00	\$179.25	2050		
HGLTV5.518	\$19,461.00	\$194.61	2146		
HGLTV5.50/18.75	\$20,229.00	\$202.29	2200		
HGLTV5.50/19	\$20,229.00	\$202.29	2198		
HGLTV5.520	\$20,997.00	\$209.97	2274		
HGLTV7.12/11.5	\$14,678.00	\$146.78	1875		
HGLTV7.12/12.5	\$15,446.00	\$154.46	1925		
HGLTV7.12/18.75	\$20,438.00	\$204.38	2125		
HGLTV7.12/19	\$20,438.00	\$204.38	2214		
HGLTV7.12/22	\$22,742.00	\$227.42	2537		
HGLTV7.12/24	\$24,278.00	\$242.78	2657		
HGLTV7.37/11.25	\$15,024.00	\$150.24	1875		
HGLTV7.37/11.88	\$15,408.00	\$154.08	1907		
HGLTV7.37/14	\$16,944.00	\$169.44	2035		
HGLTV7.37/16	\$18,480.00	\$184.80	2163		
HGLTV7.37/18	\$20,016.00	\$200.16	2291		



**GLT/GLTV WITH GREATER "H" DIMENSION:** Add \$193.00 to the list price per 100 and 27 lbs. to the weight per 100 for each additional ½" or fraction thereof.

**HGLT/HGLTV WITH GREATER "H" DIMENSION:** Add \$384.00 to the list price per 100 and 32 lbs. to the weight per 100 for each additional ½" or fraction thereof.

**OFFSET TOP FLANGE:** Add \$2,672.00 to the list price per 100.

**HGLT and HGLTV hangers can be sloped OR skewed, but not sloped AND skewed.**

**SLOPED SEAT CHARGE:** Add \$13,622.00 to the list price per 100.

**SKEWED SEAT CHARGE:** Add \$13,622.00 to the list price per 100.

**SLOPED TOP FLANGE:** Add \$8,171.00 to the list price per 100.

**HGU, HGUM, LGU, LGUM, MGU HIGH CAPACITY FACE MOUNT HANGERS**

Model	List Price per 100	List Price per Each	Weight lbs/100	Carton Qty	Pallet Qty
LGU3.25-SDS	\$8,904.00	\$89.04	550		
LGU3.63-SDS	\$8,904.00	\$89.04	560		
LGU5.25-SDS	\$9,211.00	\$92.11	610		
LGUM210-2-SDS	\$9,364.00	\$93.64	425	10	
LGUM210-3-SDS	\$10,962.00	\$109.62	450	10	
LGUM210-4-SDS	\$12,301.00	\$123.01	474	10	
LGUM26-2-SDS	\$5,192.00	\$51.92	252	10	
LGUM26-3-SDS	\$6,552.00	\$65.52	278	10	
LGUM26-4-SDS	\$7,413.00	\$74.13	301	10	
LGUM28-2-SDS	\$6,910.00	\$69.10	339	10	
LGUM28-3-SDS	\$7,710.00	\$77.10	364	10	
LGUM28-4-SDS	\$10,133.00	\$101.33	387	10	
LGUM410-SDS	\$9,527.00	\$95.27	425	10	
LGUM46-SDS	\$5,656.00	\$56.56	252	10	
LGUM48-SDS	\$7,184.00	\$71.84	339	10	
HGU3.63-SDS	\$15,353.00	153.53	1378		
HGU5.25-SDS	\$15,353.00	153.53	1065		
HGU5.50-SDS	\$15,507.00	155.07	1185		
HGU5.62-SDS	\$15,640.00	156.4	1431		
HGU7.00-SDS	\$15,814.00	158.14	1130		
HGU7.25-SDS	\$15,966.00	159.66	1145		
HGU9.00-SDS	\$16,427.00	164.27	1220		
HGUM5.25-SDS	\$20,006.00	\$200.06	2003		
HGUM5.50-SDS	\$20,123.00	\$201.23	2010		
HGUM7.00-SDS	\$20,661.00	\$206.61	2050		
HGUM7.25-SDS	\$20,777.00	\$207.77	2051		
HGUM9.00-SDS	\$21,432.00	\$214.32	2105		
HHGU5.50-SDS	\$19,345.00	\$193.45	1650		
HHGU5.62-SDS	\$19,720.00	\$197.20	2155		
HHGU7.00-SDS	\$20,726.00	\$207.26	1730		
HHGU7.25-SDS	\$20,726.00	\$207.26	1745		
HHGU9.00-SDS	\$21,493.00	\$214.93	1840		
MGU3.63-SDS	\$10,747.00	\$107.47	680		
MGU5.25-SDS	\$10,747.00	\$107.47	700		
MGU5.50-SDS	\$11,054.00	\$110.54	740		
MGU7.00-SDS	\$11,054.00	\$110.54	755		

**GU HIGH CAPACITY FACE MOUNT HANGERS - HGU, HGUM, HHGU, LGU, LGUM, MGU:**

**HGU WITH GREATER "H" DIMENSION:** For each additional ½" or fraction thereof, add \$257.00 to the list price and 52 lbs to the Weight lbs/100 per 100. Minimum H = 11"

**HGUM WITH GREATER "H" DIMENSION:** For each additional ½" or fraction thereof, add \$257.00 to the list price and 33 lbs to the Weight lbs/100 per 100. Minimum H = 11"

**HHGU WITH GREATER "H" DIMENSION:** For each additional ½" or fraction thereof, add \$344.00 to the list price and 69 lbs to the Weight lbs/100 per 100. Minimum H = 13"

**LGU WITH GREATER "H" DIMENSION:** For each additional ½" or fraction thereof, add \$147.00 to the list price and 30 lbs to the Weight lbs/100 per 100. Minimum H = 8"

**MGU WITH GREATER "H" DIMENSION:** For each additional ½" or fraction thereof, add \$160.00 to the list price and 33 lbs to the Weight lbs/100 per 100. Minimum H = 9-¼"

**LGU, MGU, HGU Skewed Charge:** Add \$3400.00 to the list price per 100. Set-up charge applies.

**LGUM, MGUM, HGUM Skewed Charge:** Add \$2239.00 to the list price per 100. Set-up charge applies.

**\$25.00 Set up charge applies to all modifications**

**H HURRICANE TIES/STRAPS**

Model	List Price per 100	List Price per Each	Weight lbs/100	Carton Qty	Pallet Qty	
H1	\$126.00	\$1.26	22	100	4,800	
H2	\$167.00	\$1.67	21	100	3,600	
H2A	\$167.00	\$1.67	21	100	5,400	
H2.5	\$56.00	\$0.56	13	100	7,200	Equal quantities of lefts and rights are included in each carton
H2.5A	\$56.00	\$0.56	11	100	7,200	
H2.5T	\$50.00	\$0.50	11	100	9,600	Equal quantities of lefts and rights are included in each carton
H3	\$56.00	\$0.56	11	100	7,200	Equal quantities of lefts and rights are included in each carton
H4	\$44.00	\$0.44	8	100	7,200	Equal quantities of lefts and rights are included in each carton
H5	\$54.00	\$0.54	11	100	7,200	Equal quantities of lefts and rights are included in each carton
H5A	\$54.00	\$0.54	11	100	7,200	
H6	\$664.00	\$6.64	72	50	1,200	Equal quantities of lefts and rights are included in each carton
H8	\$95.00	\$0.95	13	100	9,600	
H10	\$253.00	\$2.53	40	50	1,800	
H10A	\$253.00	\$2.53	40	50	1,800	
H10A-2	\$354.00	\$3.54	50	50		
H10R	\$294.00	\$2.94	40	50	1,800	
H10S	\$437.00	\$4.37	76	25	1,800	
H10-2	\$267.00	\$2.67	37	50	2,400	
H14	\$291.00	\$2.91	60	25	900	
H15	\$910.00	\$9.10	184	15	360	
H15-2	\$1,005.00	\$10.05	197	15		
H16	\$487.00	\$4.87	88	25	600	
H16-2	\$510.00	\$5.10	88	25	600	
H16S	\$318.00	\$3.18	48	50	2,400	
H16-2S	\$332.00	\$3.32	52	25	600	
HS24	\$328.00	\$3.28	36	50	2,400	

**H HURRICANE TIES/STRAPS:**

**EXAMPLE:** A carton of 100 H2.5's contains 50 lefts and 50 rights; a carton of 50 H6's has 25 lefts and 25 rights.

**H-KT, HGA-KT HURRICANE TIE/STRAP KITS, HURRICANE GUSSET ANGLE KITS**

Model	List Price per 100	List Price per Each	Weight lbs/100	Description
H9KT	\$15,656.00	\$156.56	1100	Contains: 20-H9 and 180-SDS1/4X1-1/2 screws.
HM9KT	\$17,284.00	\$172.84	1180	Contains: 20-HM9; 80-SDS1/4X1-1/2 screws; and 100-TTN25214H (Titen® masonry screws).
HGA10KT	\$8,156.00	\$81.56	550	Contains: 10-HGA10; 40-SDS1/4X1-1/2 screws; and 40-SDS1/4X3 screws
HGAM10KTA	\$7,309.00	\$73.09	500	Contains: 10-HGAM10; 40-SDS1/4X1-1/2 screws; and 40-TTN25234H (Titen® masonry screws).

**HD, HDB, HDC, HDQ, HHDQ, HDU HOLDOWNS**

Model	List Price per 100	List Price per Each	Weight lbs/100	Carton Qty	Pallet Qty
HD3B	\$1,238.00	\$12.38	130	25	
HD5B	\$3,076.00	\$30.76	310	12	
HD7B	\$3,616.00	\$36.16	440	8	
HD9B	\$4,809.00	\$48.09	630	6	
HD5	\$6,023.00	\$60.23	225	12	480
HD6	\$6,516.00	\$65.16	390	10	400
HD7	\$6,339.00	\$63.39	575	6	288
HD9	\$8,320.00	\$83.20	820	6	180
HD12	\$12,505.00	\$125.05	1010		220
HD19	\$14,960.00	\$149.60	1075		
HDC10/22-SDS2.5	\$8,734.00	\$87.34	574	6	
HDC10/4-SDS2.5	\$8,734.00	\$87.34	589	6	
HDQ8-SDS3	\$7,098.00	\$70.98	605	6	324
HHDQ11-SDS2.5	\$14,358.00	\$143.58	736		192
HHDQ14-SDS2.5	\$15,231.00	\$152.31	823		192
HDU2-SDS2.5	\$2,957.00	\$29.57	205	20	720
HDU4-SDS2.5	\$3,864.00	\$38.64	250	15	360
HDU5-SDS2.5	\$4,929.00	\$49.29	260	15	360
HDU8-SDS2.5	\$8,660.00	\$86.60	625	6	288
HDU11-SDS2.5	\$10,080.00	\$100.80	825	4	240
HDU14-SDS2.5	\$12,561.00	\$125.61	1100	4	200

**HOLDOWNS: PHD-SDS, HDA, HD, HDC, HDQ, HDU****NOTE: SDS1/4x2.5 screws included with HDC-SDS2.5, HDU-SDS2.5****HGUS, HGUQ GIRDER HANGERS - EWP AND SOLID SAWN SIZES**

Model	List Price per 100	List Price per Each	Weight lbs/100	Carton Qty	Pallet Qty
HGUS26	\$3,123.00	\$31.23	190	12	360
HGUS28	\$3,945.00	\$39.45	244	12	288
HGUS2.75/10	\$6,759.00	\$67.59	252	20	360
HGUS2.75/12	\$8,115.00	\$81.15	301	12	216
HGUS2.75/14	\$9,104.00	\$91.04	350	12	300
HGUS3.25/10	\$5,403.00	\$54.03	252	12	288
HGUS3.25/12	\$6,267.00	\$62.67	301	12	216

**HGUS, HGUQ GIRDER HANGERS - EWP AND SOLID SAWN SIZES**

Model	List Price per 100	List Price per Each	Weight lbs/100	Carton Qty	Pallet Qty
HGUS26-2	\$3,189.00	\$31.89	174	12	432
HGUS28-2	\$4,030.00	\$40.30	217	12	432
HGUS210-2	\$5,605.00	\$56.05	266	12	288
HGUS46	\$3,654.00	\$36.54	174	12	432
HGUS48	\$4,302.00	\$43.02	217	12	432
HGUS410	\$5,766.00	\$57.66	266	12	216
HGUS412	\$6,667.00	\$66.67	301	12	216
HGUS414	\$7,424.00	\$74.24	350	12	216
HGUS26-3	\$4,551.00	\$45.51	195	12	288
HGUS28-3	\$4,828.00	\$48.28	238	12	360
HGUS210-3	\$7,185.00	\$71.85	285	12	216
HGUS212-3	\$8,673.00	\$86.73	323	12	
HGUS214-3	\$9,729.00	\$97.29	372	12	
HGUS5.25/10	\$6,941.00	\$69.41	287	12	216
HGUS5.25/12	\$8,616.00	\$86.16	325	12	216
HGUS26-4	\$5,410.00	\$54.10	200	12	
HGUS28-4	\$5,739.00	\$57.39	238	12	
HGUS210-4	\$8,541.00	\$85.41	288	12	
HGUS212-4	\$9,704.00	\$97.04	319	12	
HGUS214-4	\$12,458.00	\$124.58	363	12	
HGUS5.50/8	\$7,314.00	\$73.14	223	12	
HGUS5.50/10	\$7,314.00	\$73.14	287	12	216
HGUS5.50/12	\$8,567.00	\$85.67	325	12	216
HGUS5.50/14	\$9,974.00	\$99.74	374	12	216
HGUS5.62/10	\$8,501.00	\$85.01	287	12	
HGUS5.62/12	\$9,962.00	\$99.62	325	12	
HGUS5.62/14	\$11,599.00	\$115.99	374	12	
HGUS6.88/10	\$8,541.00	\$85.41	301	12	
HGUS6.88/12	\$10,000.00	\$100.00	350		
HGUS6.88/14	\$12,458.00	\$124.58	399		
HGUS7.25/8	\$8,586.00	\$85.86	245	12	
HGUS7.25/10	\$8,671.00	\$86.71	301	12	216
HGUS7.25/12	\$10,919.00	\$109.19	350	12	216
HGUS7.25/14	\$11,261.00	\$112.61	399	8	144
HGUS7.37/10	\$9,769.00	\$97.69	301		
HGUS7.37/12	\$11,708.00	\$117.08	350		
HGUS7.37/14	\$12,886.00	\$128.86	399		
HGUQ26-2	\$3,189.00	\$31.89	169	12	
HGUQ28-2	\$4,030.00	\$40.30	205	12	
HGUQ210-2	\$5,605.00	\$56.05	249	12	

**HGUS, HGUQ GIRDER HANGERS - EWP AND SOLID SAWN SIZES**

Model	List Price per 100	List Price per Each	Weight lbs/100	Carton Qty	Pallet Qty
HGUQ46	\$3,654.00	\$36.54	164	12	
HGUQ48	\$4,302.00	\$43.02	199	12	
HGUQ410	\$5,766.00	\$57.66	246	12	
HGUQ26-3	\$4,551.00	\$45.51	169	12	
HGUQ210-3	\$7,185.00	\$71.85	270	12	
HGUQ28-3	\$4,828.00	\$48.28	220	12	
HGUQ26-4	\$5,410.00	\$54.10	177	12	
HGUQ28-4	\$5,739.00	\$57.39	227	12	
HGUQ210-4	\$8,541.00	\$85.41	260	12	
HGUQ26-2-SDS3	\$4,164.00	\$41.64	349	10	
HGUQ28-2-SDS3	\$5,615.00	\$56.15	436	8	
HGUQ210-2-SDS3	\$7,798.00	\$77.98	535	6	
HGUQ26-3-SDS4.5	\$6,204.00	\$62.04	373	10	
HGUQ28-3-SDS4.5	\$8,254.00	\$82.54	482	8	
HGUQ210-3-SDS4.5	\$9,455.00	\$94.55	583	6	
HGUQ26-4-SDS6	\$9,872.00	\$98.72	440	8	
HGUQ28-4-SDS6	\$12,988.00	\$129.88	569	6	
HGUQ210-4-SDS6	\$18,580.00	\$185.80	691	4	
HGUQ46-SDS3	\$4,629.00	\$46.29	464	8	
HGUQ48-SDS3	\$5,887.00	\$58.87	572	6	
HGUQ410-SDS3	\$7,961.00	\$79.61	684	4	

**HGUS: Skewed Charge:** Add \$2239.00 to the list price per 100. Set-up charge applies. / HGUS can be skewed but not sloped. / HGUQ can not be modified.

**SET-UP CHARGE:** Where set-up charge applies, add a single \$25.00 net set-up charge for any and all modification(s), including any combination of modifications.

**HH HEADER HANGERS**

Model	List Price per 100	List Price per Each	Weight lbs/100	Carton Qty	Pallet Qty
HH4	\$847.00	\$8.47	58	20	1,920
HH6	\$1,676.00	\$16.76	102	20	1,800

**HL, HLG, HLPC HEAVY ANGLES**

Model	List Price per 100	List Price per Each	Weight lbs/100	Carton Qty	Pallet Qty
HL33	\$724.00	\$7.24	74		3,200
HL35	\$1,412.00	\$14.12	147		2,000
HL35G	\$1,690.00	\$16.90	210		
HL37	\$2,663.00	\$26.63	219		
HL37G	\$3,992.00	\$39.92	282		

**HL, HLG, HLPC HEAVY ANGLES**

Model	List Price per 100	List Price per Each	Weight lbs/100	Carton Qty	Pallet Qty
HL43	\$1,825.00	\$18.25	155		
HL46	\$3,930.00	\$39.30	309		
HL46G	\$5,021.00	\$50.21	372		
HL49	\$4,419.00	\$44.19	464		
HL49G	\$6,630.00	\$66.30	527		
HL53	\$1,722.00	\$17.22	135		
HL55	\$2,731.00	\$27.31	270		
HL55G	\$3,248.00	\$32.48	333		
HL57	\$6,222.00	\$62.22	405		
HL57G	\$7,787.00	\$77.87	468		
HL73	\$3,159.00	\$31.59	266		
HL76	\$4,262.00	\$42.62	537		
HL76G	\$4,454.00	\$44.54	600		
HL79	\$9,558.00	\$95.58	801		
HL79G	\$13,532.00	\$135.32	864		
<b>Heavy Angles (Classic)</b>					
HL33PC	\$1,266.00	\$12.66	74		
HL35GPC	\$2,958.00	\$29.58	210		
HL35PC	\$2,468.00	\$24.68	147		
HL37GPC	\$5,950.00	\$59.50	282		
HL37PC	\$4,661.00	\$46.61	219		
HL43PC	\$3,193.00	\$31.93	155		
HL46GPC	\$8,787.00	\$87.87	372		
HL46PC	\$6,876.00	\$68.76	311		
HL49GPC	\$9,203.00	\$92.03	527		
HL49PC	\$7,733.00	\$77.33	464		
HL53PC	\$3,012.00	\$30.12	135		
HL55GPC	\$5,685.00	\$56.85	333		
HL55PC	\$4,779.00	\$47.79	270		
HL57GPC	\$8,566.00	\$85.66	468		
HL57PC	\$7,072.00	\$70.72	405		
HL73PC	\$5,528.00	\$55.28	272		
HL76GPC	\$7,796.00	\$77.96	600		
HL76PC	\$7,460.00	\$74.60	545		
HL79GPC	\$17,979.00	\$179.79	864		
HL79PC	\$16,728.00	\$167.28	801		

**HCP, HRC HIP CONNECTORS - EWP AND SOLID SAWN SIZES**

Model	List Price per 100	List Price per Each	Weight lbs/100	Carton Qty	Pallet Qty
HCP1.81	\$301.00	\$3.01	37	50	1,800
HCP2	\$268.00	\$2.68	37	50	1,800
HRC1.81	\$1,125.00	\$11.25	95		
HRC22	\$1,125.00	\$11.25	95		
HRC42	\$3,875.00	\$38.75	106		
HRC44	\$5,756.00	\$57.56	354		

**HRS HEAVY RETAIL STRAPS**

Model	List Price per 100	List Price per Each	Weight lbs/100	Carton Qty	Pallet Qty
HRS6	\$190.00	\$1.90	24	25	7,800
HRS8	\$212.00	\$2.12	32	25	7,800
HRS12	\$309.00	\$3.09	47	25	5,850

**HTU HEAVY TRUSS HANGERS - EWP AND SOLID SAWN SIZES**

Model	List Price per 100	List Price per Each	Weight lbs/100	Carton Qty	Pallet Qty
HTU26	\$653.00	\$6.53	71	50	1,200
HTU26-2	\$1,308.00	\$13.08	80	25	600
HTU28	\$847.00	\$8.47	94	25	600
HTU28-2	\$1,696.00	\$16.96	104	25	600
HTU210	\$1,125.00	\$11.25	118	25	600
HTU210-2	\$2,251.00	\$22.51	129	25	600

**HTU HEAVY TRUSS HANGERS — EWP AND SOLID SAWN SIZES: Skew Charge,**

**Add:** \$2239.00 to the list price per 100. \$25.00 Set-up charge applies.

**HUS, HHUS, MUS HEAVY DUTY DOUBLE SHEAR HANGERS - EWP AND SOLID SAWN SIZES/ MUS**

Model	List Price per 100	List Price per Each	Weight lbs/100	Carton Qty	Pallet Qty
HUS1.81/10	\$1,107.00	\$11.07	103	25	600
HUS210	\$937.00	\$9.37	99	25	600
HUS26	\$545.00	\$5.45	64	50	1,200
HUS28	\$707.00	\$7.07	79	25	600
HUS46	\$794.00	\$7.94	56	50	1,200
HUS48	\$857.00	\$8.57	79	25	750
HUS410	\$1,089.00	\$10.89	89	25	600
HUS412	\$1,126.00	\$11.26	102	25	600
HUS26-2	\$876.00	\$8.76	57	50	1,200
HUS28-2	\$869.00	\$8.69	81	50	600
HUS210-2	\$1,057.00	\$10.57	92	25	600
HUS212-2	\$1,155.00	\$11.55	101	25	600
HHUS26-2	\$940.00	\$9.40	85	25	750
HHUS28-2	\$1,027.00	\$10.27	109	25	600
HHUS210-2	\$1,329.00	\$13.29	135	25	750
HHUS210-3	\$5,056.00	\$50.56	143	25	
HHUS210-4	\$6,300.00	\$63.00	146	25	
HHUS46	\$768.00	\$7.68	85	25	750
HHUS48	\$1,053.00	\$10.53	107	25	750
HHUS410	\$1,442.00	\$14.42	137	25	600
HHUS5.50/10	\$5,071.00	\$50.71	143	25	600
HHUS7.25/10	\$6,168.00	\$61.68	174	25	
MUS26	\$362.00	\$3.62	32	50	1,500
MUS28	\$424.00	\$4.24	42	50	1,200

**HUSTF, HUSCTF HEAVY DUTY DOUBLE SHEAR TOP FLANGE HANGERS**

Model	List Price per 100	List Price per Each	Weight lbs/100	Carton Qty	Pallet Qty
HUS26-2TF	\$1,733.00	\$17.33	68	25	
HUS28-2TF	\$1,852.00	\$18.52	94	25	
HUS210-2TF	\$1,946.00	\$19.46	96	25	
HUS212-2TF	\$2,307.00	\$23.07	124	25	
HUS214-2TF	\$2,799.00	\$27.99	150	25	
HUS46TF	\$1,481.00	\$14.81	67	25	
HUS48TF	\$1,935.00	\$19.35	81	25	
HUS410TF	\$2,002.00	\$20.02	97	25	
HUS412TF	\$1,802.00	\$18.02	124	25	
HUS414TF	\$2,698.00	\$26.98	151	25	

**HUS, HHUS, MUS HEAVY DUTY DOUBLE SHEAR HANGERS — EWP AND SOLID SAWN SIZES:****NOTES:**

- **HUSC Pricing:** Pricing and carton quantity are the same as for comparable size HUS hanger.
- **HUSC** available in double 2x and 4x widths only.

**Slope Seat Charge (HHUS only):** Add \$2724.00 to the list price per 100. Set-up charge applies.

**Skewed Charge (HHUS only)** Add \$2239.00 to the list price per 100. Set-up charge applies.

**Slope & Skew Combined Charge (HHUS only):** Add \$4963.00 to the list price per 100. Set-up charge applies.

**SET-UP CHARGE:** Where set-up charge applies, add a single \$25.00 net set-up charge for any and all modification(s) including any combination of modifications.

**HUSTF, HUSCTF HEAVY DUTY DOUBLE SHEAR TOP FLANGE HANGERS: HUSCTF pricing:**

Pricing is the same as for comparable size HUSTF hanger, plus a \$25.00 net set-up charge.

**HU HANGERS (HEAVY DUTY) - EWP, SOLID SAWN AND GLULAM SIZES**

Model	List Price per 100	List Price per Each	Weight lbs/100	Carton Qty	Pallet Qty
HU7	\$1,108.00	\$11.08	81	25	1,800
HU9	\$1,240.00	\$12.40	107	25	900
HU11	\$1,374.00	\$13.74	125	25	1,200
HU14	\$2,154.00	\$21.54	151	25	1,200
HU26	\$541.00	\$5.41	40	50	3,000
HU28	\$635.00	\$6.35	60	50	1,800
HU210	\$744.00	\$7.44	77	50	1,500
HU212	\$1,327.00	\$13.27	94	25	900
HU214	\$1,614.00	\$16.14	104	25	750
HU216	\$1,865.00	\$18.65	129	25	750
HU1.81/5	\$2,176.00	\$21.76	150		
HU2.1/9	\$1,151.00	\$11.51	110	25	
HU2.1/11	\$1,405.00	\$14.05	127	25	
HU34	\$666.00	\$6.66	52	50	1,500
HU36	\$932.00	\$9.32	72	50	1,800



**HU HANGERS (HEAVY DUTY) - EWP, SOLID SAWN AND GLULAM SIZES**

Model	List Price per 100	List Price per Each	Weight lbs/100	Carton Qty	Pallet Qty
HU38	\$972.00	\$9.72	90	25	1,800
HU310	\$1,119.00	\$11.19	107	25	1,200
HU312	\$1,337.00	\$13.37	125	25	1,200
HU314	\$1,405.00	\$14.05	143	25	750
HU316	\$1,889.00	\$18.89	161	25	750
HU2.75/10	\$2,018.00	\$20.18	110		
HU2.75/12	\$2,577.00	\$25.77	127		
HU2.75/14	\$2,645.00	\$26.45	150		
HU2.75/16	\$2,815.00	\$28.15	161		
HU3.25/10.5	\$2,628.00	\$26.28	127		
HU3.25/12	\$2,628.00	\$26.28	127		
HU3.25/16	\$3,142.00	\$31.42	161		
HU3.31/9	\$2,153.00	\$21.53	109		
HU3.31/11	\$2,636.00	\$26.36	127		
HU3.31/14	\$2,857.00	\$28.57	161		
HU359	\$1,061.00	\$10.61	107	25	
HU3511	\$1,433.00	\$14.33	129		
HU3514	\$2,232.00	\$22.32	153	25	
HU3516/22	\$2,338.00	\$23.38	161		
HU3524/30	\$3,532.00	\$35.32	199		
HU24-2	\$915.00	\$9.15	52	50	1,500
HU26-2	\$1,061.00	\$10.61	75	50	1,800
HU28-2	\$1,108.00	\$11.08	92	25	900
HU210-2	\$1,321.00	\$13.21	110	25	1,800
HU212-2	\$1,522.00	\$15.22	127	25	1,200
HU214-2	\$1,938.00	\$19.38	141	25	750
HU216-2	\$2,268.00	\$22.68	161	25	750
HU36-2	\$1,602.00	\$16.02	79	25	
HU38-2	\$1,650.00	\$16.50	95	25	
HU310-2	\$2,394.00	\$23.94	121	25	
HU312-2	\$2,789.00	\$27.89	138	25	
HU314-2	\$3,403.00	\$34.03	156	25	
HU3514-2	\$3,086.00	\$30.86	163	25	375
HU3516-2	\$3,401.00	\$34.01	183	15	
HU3520-2	\$4,944.00	\$49.44	224		
HU4.12/9	\$1,939.00	\$19.39	107	25	
HU4.12/11	\$2,413.00	\$24.13	127	25	
HU4.28/9	\$3,083.00	\$30.83	107		
HU4.28/11	\$3,458.00	\$34.58	127		
HU4.75/9	\$2,154.00	\$21.54	135	25	
HU4.75/11	\$2,511.00	\$25.11	150	25	

**HU HANGERS (HEAVY DUTY) - EWP, SOLID SAWN AND GLULAM SIZES**

Model	List Price per 100	List Price per Each	Weight lbs/100	Carton Qty	Pallet Qty
HU44	\$715.00	\$7.15	52	50	1,200
HU46	\$802.00	\$8.02	75	50	2,400
HU48	\$974.00	\$9.74	92	25	1,800
HU410	\$1,202.00	\$12.02	110	25	1,200
HU412	\$1,384.00	\$13.84	127	25	1,200
HU414	\$1,761.00	\$17.61	150	25	1,200
HU416	\$2,033.00	\$20.33	161	25	750
HU26-3	\$1,788.00	\$17.88	84	25	
HU210-3	\$2,574.00	\$25.74	115	25	750
HU212-3	\$3,411.00	\$34.11	133	25	750
HU214-3	\$3,886.00	\$38.86	150	25	750
HU216-3	\$4,136.00	\$41.36	169	25	750
HU5.125/12	\$2,504.00	\$25.04	134	25	
HU5.125/13.5	\$3,415.00	\$34.15	171	25	
HU5.125/16	\$3,540.00	\$35.40	171		
HU66	\$1,413.00	\$14.13	75	25	600
HU68	\$1,439.00	\$14.39	91	25	1,200
HU610	\$2,033.00	\$20.33	110	25	750
HU612	\$2,504.00	\$25.04	127	25	750
HU614	\$3,015.00	\$30.15	150	25	750
HU616	\$3,978.00	\$39.78	161	25	375
HU28-4	\$2,381.00	\$23.81	118	25	
HU210-4	\$2,746.00	\$27.46	131		
HU810	\$2,254.00	\$22.54	127	25	
HU812	\$2,848.00	\$28.48	145	25	
HU814	\$3,416.00	\$34.16	163	25	
HU816	\$4,149.00	\$41.49	181	20	
HU88	\$2,060.00	\$20.60	110	25	
HU410-2	\$2,354.00	\$23.54	133	25	
HU412-2	\$2,780.00	\$27.80	154	25	
HU414-2	\$3,362.00	\$33.62	181	20	

**HU HANGERS (HEAVY DUTY) continued — EWP, SOLID SAWN AND GLULAM SIZES:**
**NOTES:**

- 1. HUC Hangers:** Pricing is the same as for comparable size HU hanger (available in widths of 2 $\frac{5}{16}$  and larger only).
- 2. Rough W Dimension:** \$180.00 to the standard hanger list price per 100. Set-up charge applies.
- 3. Rough H Dimension:** \$269.00 to the standard hanger list price per 100. Set-up charge applies. Not available in 8x sizes.
- 4. Skew Charges:** \$2239.00 to the standard hanger list price per 100. Set-up charge applies.
- 5. Slope Seat Charge:** Add \$2724.00 to the list price per 100. Set up charge applies.
- 6. Slope & Skew Combined Charge:** Add \$4,963.00 to the list price per 100. Set up charge applies.

**SEE CATALOG FOR SLOPE & SKEW LIMITATIONS. FOR CONDITIONS BEYOND LIMITATIONS, CONTACT SIMPSON STRONG-TIE FOR AVAILABILITY AND PRICING.  
SEE HSUR/L SERIES FOR LOW COST, HIGH VALUE, 45° SKEWED CONNECTOR.**

**HU hangers with widths 5 1/2" or less may be skewed to a maximum of 67 1/2 degrees.  
HU hangers with widths greater than 5 1/2" may be skewed to a maximum of 45 degrees.**

**HUCQ HEAVY DUTY JOIST HANGERS - EWP, SOLID SAWN and GLULAM BEAM SIZES**

Model	List Price per 100	List Price per Each	Weight lbs/100	Carton Qty	Pallet Qty
HUCQ1.81/11-SDS	\$3,796.00	\$37.96	140	15	
HUCQ1.81/9-SDS	\$3,696.00	\$36.96	116	15	
HUCQ210-2-SDS	\$3,735.00	\$37.35	175	15	
HUCQ210-3-SDS	\$3,906.00	\$39.06	184	15	
HUCQ310-SDS	\$3,721.00	\$37.21	145		
HUCQ410-SDS	\$3,881.00	\$38.81	177	15	
HUCQ412-SDS	\$4,102.00	\$41.02	208	15	
HUCQ5.25/9-SDS	\$4,200.00	\$42.00	187	15	
HUCQ5.25/11-SDS	\$4,446.00	\$44.46	217		
HUCQ610-SDS	\$3,930.00	\$39.30	189	15	
HUCQ612-SDS	\$4,152.00	\$41.52	220	15	

**HUTF, HUCTF, HUITF TOP FLANGE HANGERS - SOLID SAWN & GLULAM SIZES**

Model	List Price per 100	List Price per Each	Weight lbs/100	Carton Qty	Pallet Qty
HU24TF	\$1,454.00	\$14.54	73	25	750
HU26TF	\$1,595.00	\$15.95	98	25	750
HU28TF	\$2,417.00	\$24.17	121	25	750
HU210TF	\$2,481.00	\$24.81	147	25	750
HU212TF	\$3,048.00	\$30.48	171	25	750
HU214TF	\$3,181.00	\$31.81	197	15	750
HU216TF	\$3,359.00	\$33.59	223	15	750
HU2.75/9.25TF	\$3,423.00	\$34.23	170		
HU2.75/9.5TF	\$3,423.00	\$34.23	174		
HU2.75/11.25TF	\$3,869.00	\$38.69	199		
HU2.75/11.88TF	\$3,684.00	\$36.84	208		
HU2.75/12TF	\$3,869.00	\$38.69	210		
HU2.75/14TF	\$4,315.00	\$43.15	239		
HU2.75/16TF	\$4,757.00	\$47.57	268		
HU24-2TF	\$2,376.00	\$23.76	89	25	750
HU26-2TF	\$2,849.00	\$28.49	117	25	750
HU28-2TF	\$2,912.00	\$29.12	142	25	750
HU210-2TF	\$3,159.00	\$31.59	171	25	750
HU212-2TF	\$4,039.00	\$40.39	198	25	600
HU214-2TF	\$4,076.00	\$40.76	227	15	750
HU216-2TF	\$4,118.00	\$41.18	256	15	750
HU210-3TF	\$4,137.00	\$41.37	182	15	750
HU212-3TF	\$4,617.00	\$46.17	210	15	750
HU214-3TF	\$4,948.00	\$49.48	238	15	750
HU216-3TF	\$5,032.00	\$50.32	267	25	750

**HUTF, HUCTF, HUITF TOP FLANGE HANGERS - SOLID SAWN & GLULAM SIZES**

Model	List Price per 100	List Price per Each	Weight lbs/100	Carton Qty	Pallet Qty
HU34TF	\$2,021.00	\$20.21	85	25	750
HU36TF	\$2,709.00	\$27.09	113	25	750
HU38TF	\$2,751.00	\$27.51	138	25	750
HU310TF	\$3,189.00	\$31.89	167	25	750
HU312TF	\$3,819.00	\$38.19	194	25	750
HU314TF	\$4,473.00	\$44.73	223	15	750
HU316TF	\$4,930.00	\$49.30	252	15	375
HU3.25/12TF	\$2,866.00	\$28.66	214		
HU3.25/16.5TF	\$3,926.00	\$39.26	279		
HU44TF	\$1,720.00	\$17.20	93	25	750
HU46TF	\$1,886.00	\$18.86	120	25	750
HU48TF	\$2,186.00	\$21.86	146	25	750
HU410TF	\$2,685.00	\$26.85	174	25	750
HU412TF	\$2,852.00	\$28.52	201	15	450
HU414TF	\$3,412.00	\$34.12	230	15	750
HU416TF	\$3,747.00	\$37.47	259	15	375
HUI49.25TF	\$3,423.00	\$34.23	176		
HUI49.5TF	\$3,423.00	\$34.23	180		
HUI411.25TF	\$3,869.00	\$38.69	205		
HUI411.88TF	\$3,869.00	\$38.69	214		
HUI412TF	\$3,869.00	\$38.69	216		
HUI414TF	\$4,315.00	\$43.15	245		
HUI416TF	\$4,757.00	\$47.57	274		
HU5.25/12TF	\$3,868.00	\$38.68	228		
HU5.25/16.5TF	\$4,734.00	\$47.34	293		
HU66TF	\$2,225.00	\$22.25	134	25	750
HU68TF	\$2,292.00	\$22.92	160	25	750
HU610TF	\$2,742.00	\$27.42	188	25	750
HU612TF	\$3,114.00	\$31.14	127	15	360
HU614TF	\$3,910.00	\$39.10	244	15	375
HU616TF	\$4,608.00	\$46.08	273	15	375

**NOTES:**

- Slope Seat Charge:** Add \$2724.00 to the list price per 100. Set up charge applies.
- HUCTF Hangers:** Pricing is the same as for comparable size HUTF hanger.
- Rough W Dimension:** Add \$180.00 to the standard hanger list price per 100. Set-up charge applies.
- Rough H Dimension:** Add \$269.00 to the standard hanger list price per 100. Set-up charge applies.
- Skewed Charges: 0-45°**— Add \$2239.00 to the standard hanger list price per 100. Set-up charge applies

**HUTF cannot be skewed beyond 45°.**

**HUCTF cannot be skewed.**

**SEE CATALOG FOR SKEW LIMITATIONS**

**Set-Up Charge:** Where set-up charge applies, add a single \$25.00 net set-up charge for any and all modification(s), including any combination of modifications and all Glulam sizes.

**ICFVL ICF LEDGER CONNECTOR SYSTEMS**

Model	List Price per 100	List Price per Each	Weight lbs/100	Carton Qty	Pallet Qty	
ICFVL	\$1,625.00	\$16.25	131	15	720	Sold in full cartons only
ICFVL-W	\$1,625.00	\$16.25	102	15	1,080	Sold in full cartons only
ICFVL-CW	\$1,625.00	\$16.25	102	15	1,080	Sold in full cartons only
ICF-D3.62	\$58.00	\$0.58	4	120		Sold in full cartons only

**ITS, MIT, HIT HANGERS (TOP FLANGE) - EWP SIZES**

Model	List Price per 100	List Price per Each	Weight lbs/100	Carton Qty	Pallet Qty
ITS1.56/9.25	\$434.00	\$4.34	66	25	750
ITS1.56/9.5	\$434.00	\$4.34	67	25	750
ITS1.56/11.88	\$568.00	\$5.68	80	25	750
ITS1.81/9.5	\$518.00	\$5.18	68	25	750
ITS1.81/11.88	\$600.00	\$6.00	83	25	750
ITS1.81/14	\$743.00	\$7.43	96	25	750
ITS1.81/16	\$774.00	\$7.74	102	25	600
ITS2.06/9.5	\$518.00	\$5.18	70	25	750
ITS2.06/11.88	\$600.00	\$6.00	84	25	750
ITS2.06/14	\$743.00	\$7.43	96	25	750
ITS2.06/16	\$774.00	\$7.74	102	25	600
ITS2.37/9.5	\$600.00	\$6.00	70	25	750
ITS2.37/11.88	\$646.00	\$6.46	86	25	750
ITS2.37/14	\$781.00	\$7.81	96	25	750
ITS2.37/16	\$812.00	\$8.12	103	25	600
ITS2.56/9.25	\$600.00	\$6.00	69	25	750
ITS2.56/9.37	\$600.00	\$6.00	69	25	750
ITS2.56/9.5	\$600.00	\$6.00	70	25	750
ITS2.56/11.25	\$630.00	\$6.30	79	25	750
ITS2.56/11.88	\$646.00	\$6.46	85	25	750
ITS2.56/13	\$685.00	\$6.85	88	25	600
ITS2.56/14	\$781.00	\$7.81	97	25	750
ITS2.56/16	\$812.00	\$8.12	104	25	600
ITS3.56/9.25	\$600.00	\$6.00	71	25	600
ITS3.56/9.37	\$600.00	\$6.00	72	25	600
ITS3.56/9.5	\$600.00	\$6.00	73	25	600
ITS3.56/11.25	\$630.00	\$6.30	82	25	600
ITS3.56/11.88	\$646.00	\$6.46	85	25	600
ITS3.56/13	\$685.00	\$6.85	91	25	600
ITS3.56/14	\$781.00	\$7.81	96	25	600
ITS3.56/16	\$812.00	\$8.12	106	25	600
MIT9.5	\$651.00	\$6.51	105	25	750
MIT11.88	\$847.00	\$8.47	120	20	480
MIT1.81/14	\$968.00	\$9.68	149	25	375
MIT1.81/16	\$1,087.00	\$10.87	166	25	375

**ITS, MIT, HIT HANGERS (TOP FLANGE) - EWP SIZES**

Model	List Price per 100	List Price per Each	Weight lbs/100	Carton Qty	Pallet Qty
MIT211.88	\$847.00	\$8.47	120	20	600
MIT311.88	\$1,017.00	\$10.17	138	25	375
MIT314	\$1,038.00	\$10.38	149	25	375
MIT316	\$1,146.00	\$11.46	166	25	375
MIT318	\$1,356.00	\$13.56	184	25	375
MIT320	\$1,489.00	\$14.89	202	25	375
MIT29.5-2	\$993.00	\$9.93	113	25	375
MIT211.88-2	\$1,017.00	\$10.17	131	25	600
MIT3511.88	\$902.00	\$9.02	132	20	600
MIT3514	\$1,017.00	\$10.17	149	25	375
MIT3516	\$1,122.00	\$11.22	166	25	375
MIT3518	\$1,333.00	\$13.33	184	25	375
MIT3520	\$1,459.00	\$14.59	202	25	375
MIT4.12/9.5	\$1,001.00	\$10.01	118	25	
MIT4.12/11.88	\$1,021.00	\$10.21	138	25	375
MIT4.28/9.5	\$1,001.00	\$10.01	113	25	375
MIT4.28/11.88	\$1,021.00	\$10.21	132	25	375
MIT4.28/14	\$1,042.00	\$10.42	149	25	375
MIT49.5	\$993.00	\$9.93	115	25	375
MIT411.88	\$1,017.00	\$10.17	135	25	375
MIT414	\$1,038.00	\$10.38	149	25	375
MIT416	\$1,146.00	\$11.46	166	25	375
MIT418	\$1,357.00	\$13.57	184	25	375
MIT420	\$1,491.00	\$14.91	202	25	375
MIT4.75/16	\$1,160.00	\$11.60	172	20	300
MIT39.5-2	\$1,006.00	\$10.06	119	25	375
MIT311.88-2	\$1,028.00	\$10.28	138	25	375
MIT314-2	\$1,057.00	\$10.57	153	25	375
MIT5.12/16	\$1,170.00	\$11.70	181	20	300
MIT359.5-2	\$1,006.00	\$10.06	117	25	375
MIT3511.88-2	\$1,023.00	\$10.23	135	25	375
MIT3514-2	\$1,047.00	\$10.47	151	25	375
HIT318	\$1,622.00	\$16.22	232	20	
HIT320	\$1,765.00	\$17.65	252	20	
HIT322	\$1,961.00	\$19.61	272	15	
HIT324	\$2,286.00	\$22.86	293	8	
HIT326	\$2,452.00	\$24.52	314	8	

**ITS, MIT, HIT HANGERS (TOP FLANGE) - EWP SIZES**

Model	List Price per 100	List Price per Each	Weight lbs/100	Carton Qty	Pallet Qty
HIT3518	\$1,622.00	\$16.22	232	20	
HIT3520	\$1,765.00	\$17.65	252	20	
HIT3522	\$1,960.00	\$19.60	272	15	
HIT3524	\$2,286.00	\$22.86	293	8	
HIT418	\$1,742.00	\$17.42	232	20	
HIT420	\$1,889.00	\$18.89	252	20	
HIT422	\$2,142.00	\$21.42	272	15	150
HIT424	\$2,375.00	\$23.75	293	8	160
HIT426	\$2,555.00	\$25.55	314	8	

**IUS, MIU FACE MOUNT HANGERS - EWP SIZES**

Model	List Price per 100	List Price per Each	Weight lbs/100	Carton Qty	Pallet Qty
IUS1.56/9.5	\$400.00	\$4.00	62	25	750
IUS1.56/11.88	\$526.00	\$5.26	69	25	750
IUS1.81/9.5	\$407.00	\$4.07	62	25	750
IUS1.81/11.88	\$537.00	\$5.37	68	25	750
IUS1.81/14	\$666.00	\$6.66	78	25	750
IUS1.81/16	\$801.00	\$8.01	88	25	750
IUS2.06/9.5	\$457.00	\$4.57	65	25	750
IUS2.06/11.88	\$541.00	\$5.41	70	25	750
IUS2.06/14	\$669.00	\$6.69	80	25	750
IUS2.06/16	\$802.00	\$8.02	90	25	750
IUS2.37/9.5	\$511.00	\$5.11	62	25	750
IUS2.37/11.88	\$556.00	\$5.56	69	25	750
IUS2.37/14	\$672.00	\$6.72	79	25	750
IUS2.37/16	\$805.00	\$8.05	89	25	750
IUS2.56/9.25	\$513.00	\$5.13	62	25	750
IUS2.56/9.5	\$513.00	\$5.13	62	25	750
IUS2.56/11.88	\$560.00	\$5.60	69	25	750
IUS2.56/14	\$675.00	\$6.75	79	25	750
IUS2.56/16	\$806.00	\$8.06	89	25	750
IUS3.56/9.5	\$507.00	\$5.07	64	25	750
IUS3.56/11.88	\$594.00	\$5.94	70	25	750
IUS3.56/14	\$683.00	\$6.83	80	25	750
IUS3.56/16	\$806.00	\$8.06	90	25	750
MIU1.56/9	\$936.00	\$9.36	85		
MIU1.56/11	\$1,036.00	\$10.36	103	25	
MIU1.81/9	\$1,042.00	\$10.42	85	25	750
MIU1.81/11	\$1,152.00	\$11.52	104	25	750
MIU1.81/14	\$1,809.00	\$18.09	122	25	750
MIU1.81/16	\$2,264.00	\$22.64	138	25	750
MIU1.81/18	\$2,739.00	\$27.39	155		

**IUS, MIU FACE MOUNT HANGERS - EWP SIZES**

Model	List Price per 100	List Price per Each	Weight lbs/100	Carton Qty	Pallet Qty
MIU2.37/9	\$1,095.00	\$10.95	89	25	600
MIU2.37/11	\$1,210.00	\$12.10	106	25	750
MIU2.37/14	\$1,870.00	\$18.70	126	25	750
MIU2.37/16	\$2,319.00	\$23.19	142	25	750
MIU2.37/18	\$2,857.00	\$28.57	159		
MIU2.37/20	\$3,426.00	\$34.26	175		
MIU2.56/9	\$1,152.00	\$11.52	89	25	750
MIU2.56/11	\$1,274.00	\$12.74	107	25	750
MIU313	\$2,255.00	\$22.55	134		
MIU2.56/14	\$1,870.00	\$18.70	126	25	750
MIU2.56/16	\$2,319.00	\$23.19	142	25	750
MIU2.56/18	\$3,004.00	\$30.04	159	25	750
MIU2.56/20	\$3,605.00	\$36.05	175		
MIU3.12/9	\$1,210.00	\$12.10	92		
MIU3.12/11	\$1,340.00	\$13.40	109	25	600
MIU3.56/7	\$1,081.00	\$10.81	77		
MIU3.56/9	\$1,210.00	\$12.10	92	25	750
MIU3.56/11	\$1,340.00	\$13.40	111	25	750
MIU413	\$1,859.00	\$18.59	136		
MIU3.56/14	\$1,916.00	\$19.16	129	25	600
MIU3.56/16	\$2,380.00	\$23.80	146	25	600
MIU3.56/18	\$3,290.00	\$32.90	162		
MIU3.56/20	\$3,794.00	\$37.94	179	25	600
MIU4.12/9	\$1,237.00	\$12.37	96		
MIU4.12/11	\$1,371.00	\$13.71	113	25	
MIU4.12/14	\$2,155.00	\$21.55	133	25	
MIU4.12/16	\$2,704.00	\$27.04	150		
MIU4.28/9	\$1,242.00	\$12.42	97	25	600
MIU4.28/11	\$1,376.00	\$13.76	114	25	600
MIU4.28/14	\$2,161.00	\$21.61	134	25	600
MIU4.28/16	\$2,701.00	\$27.01	150	25	600
MIU4.75/9	\$1,274.00	\$12.74	99	25	750
MIU4.75/11	\$1,410.00	\$14.10	116	25	750
MIU4.75/14	\$2,184.00	\$21.84	136	25	600
MIU4.75/16	\$2,731.00	\$27.31	152	20	600
MIU4.75/18	\$3,325.00	\$33.25	169		
MIU4.75/20	\$3,992.00	\$39.92	185		
MIU5.12/7	\$1,198.00	\$11.98	83	25	
MIU5.12/9	\$1,340.00	\$13.40	99	25	750
MIU5.12/11	\$1,482.00	\$14.82	118	25	750
MIU5.12/14	\$2,237.00	\$22.37	136	25	
MIU5.12/16	\$2,801.00	\$28.01	152	25	750
MIU5.12/18	\$3,502.00	\$35.02	169		
MIU5.12/20	\$4,202.00	\$42.02	185		



**J, JP JACK PIER & FLOOR JACKS**

Model	List Price per 100	List Price per Each	Weight lbs/100	Carton Qty	Pallet Qty
J57	\$3,129.00	\$3,129.00	\$31.29	20	1,000
J813	\$3,199.00	\$3,199.00	\$31.99	20	600
JP44	\$2,090.00	\$2,090.00	\$20.90	20	

**JB HANGERS - SOLID SAWN SIZES**

Model	List Price per 100	List Price per Each	Weight lbs/100	Carton Qty	Pallet Qty
JB26	\$235.00	\$2.35	30	50	1,500
JB28	\$335.00	\$3.35	38	50	1,500
JB210	\$558.00	\$5.58	62	25	750
JB212	\$592.00	\$5.92	72	25	750
JB214	\$547.00	\$5.47	83	25	750

**L REINFORCING ANGLES**

Model	List Price per 100	List Price per Each	Weight lbs/100	Carton Qty	Pallet Qty
L30	\$112.00	\$1.12	17	100	9,000
L50	\$185.00	\$1.85	26	100	5,400
L70	\$231.00	\$2.31	36	50	1,800
L90	\$296.00	\$2.96	45	50	1,800

**LS SKEWABLE ANGLES**

Model	List Price per 100	List Price per Each	Weight lbs/100	Carton Qty	Pallet Qty
LS30	\$158.00	\$1.58	19	50	6,000
LS50	\$241.00	\$2.41	26	50	6,000
LS70	\$317.00	\$3.17	34	25	3,000
LS90	\$389.00	\$3.89	42	50	4,800

**LB HANGERS - SOLID SAWN SIZES**

Model	List Price per 100	List Price per Each	Weight lbs/100	Carton Qty	Pallet Qty
LB26	\$434.00	\$4.34	47	50	1,500
LB28	\$575.00	\$5.75	58	50	1,500
LB210	\$714.00	\$7.14	97	25	750
LB212	\$763.00	\$7.63	114	25	750
LB214	\$831.00	\$8.31	127	25	750
LB216	\$1,318.00	\$13.18	147	25	750

**LCC LALLY COLUMN CAPS**

Model	List Price per 100	List Price per Each	Weight lbs/100	Carton Qty	Pallet Qty
LCC3.5-3.5	\$8,968.00	\$89.68	475	6	
LCC3.5-4	\$8,968.00	\$89.68	488	6	
LCC4.5-3.5	\$8,968.00	\$89.68	506	6	
LCC4.5-4	\$8,968.00	\$89.68	519	6	
LCC5.25-3.5	\$8,968.00	\$89.68	529	6	
LCC5.25-4	\$8,968.00	\$89.68	543	6	
LCC6-3.5	\$8,968.00	\$89.68	552	6	

**LCC, CCOS LALLY COLUMN CAPS**

Model	List Price per 100	List Price per Each	Weight lbs/100	Pack Qty	Carton Qty	Pallet Qty
LCC6-4	\$8,968.00	\$89.68		566	6	
LCC7-3.5	\$8,968.00	\$89.68		584	6	
LCC7-4	\$8,968.00	\$89.68		597	6	
LCC03.5	\$8,327.00	\$83.27		380		
LCC05.25	\$8,327.00	\$83.27		434		
LCC07	\$8,327.00	\$83.27		502		
CCOS3.12	\$6,566.00	\$65.66		617		
CCOS3.62	\$6,774.00	\$67.74		637		
CCOS4.62	\$7,190.00	\$71.90		678		
CCOS5..50	\$7,553.00	\$75.53		714		
CCOS7.25	\$8,282.00	\$82.82		785		

**LSU, LSSU LIGHT HANGERS - SKEW / SLOPE FIELD ADJUSTABLE - EWP AND SOLID SAWN SIZES**

Model	List Price per 100	List Price per Each	Weight lbs/100	Carton Qty	Pallet Qty
LSU26	\$623.00	\$6.23	43	25	1,500
LSSU28	\$1,122.00	\$11.22	62	25	900
LSSU210	\$1,176.00	\$11.76	73	25	900
LSSUI25	\$1,255.00	\$12.55	78	25	900
LSSUI2.06	\$1,272.00	\$12.72	94	25	750
LSSUI35	\$1,289.00	\$12.89	87	25	900
LSSU2.1	\$1,272.00	\$12.72	94	25	900
LSSU210-2	\$1,869.00	\$18.69	144	25	900
LSSU410	\$1,689.00	\$16.89	144	25	750
LSSUH310	\$1,387.00	\$13.87	143	25	750

**LSU, LSSU LIGHT HANGERS — SKEW / SLOPE FIELD ADJUSTABLE — EWP AND SOLID SAWN SIZES:**

**LSU26, LSSU, LSSUI, LSSUH hangers on this page are “skew/slope field adjustable”.**

These can also be ordered with a factory skew. See current Simpson Strong-Tie® product catalog for details.

Factory Skewed Charge: Add \$775.00 to the list price /100, plus a single \$25.00 net set-up charge.

**LSU LIGHT HANGERS - SLOPE FIELD ADJUSTABLE - EWP SIZES**

Model	List Price per 100	List Price per Each	Weight lbs/100	Carton Qty	Pallet Qty
LSU3510-2	\$5,307.00	\$53.07	256	10	
LSU4.12	\$5,307.00	\$53.07	262		
LSU4.28	\$5,307.00	\$53.07	262		
LSU5.12	\$5,307.00	\$53.07	262	10	

**LSU LIGHT HANGERS — SLOPE FIELD ADJUSTABLE — EWP SIZES:**

**NOTE: LSU hangers on this page MUST BE FACTORY SKEWED.**

**FOR LSU4.12; LSU4.28; LSU3510-2; LSU5.12: SKEW:** Skewable up to 45°, add \$2241.00 to the list price per 100. Set up charge applies.

**SET-UP CHARGE:** Where set-up charge applies, add a single \$25.00 net set-up charge for any and all modification(s) or any combination of modifications.

**LTA LIGHT TRUSS ANCHOR**

Model	List Price per 100	List Price per Each	Weight lbs/100	Carton Qty	Pallet Qty
LTA2	\$282.00	\$2.82	41	50	

**LU JOIST HANGERS - SOLID SAWN SIZES**

Model	List Price per 100	List Price per Each	Weight lbs/100	Carton Qty	Pallet Qty
LU24	\$76.00	\$0.76	13	100	4,800
LU26	\$88.00	\$0.88	18	100	7,200
LU28	\$112.00	\$1.12	23	100	5,400
LU210	\$137.00	\$1.37	27	50	3,600
LU24R-18	\$221.00	\$2.21	16	100	4,500
LU26R-18	\$288.00	\$2.88	24	100	2,400
LU28R-18	\$381.00	\$3.81	42	50	1,500
LU210R-18	\$406.00	\$4.06	49	50	1,200

**MBHA, MBHU MASONRY BEAM (HEAVY) HANGERS - EWP AND SOLID SAWN SIZES**

Model	List Price per 100	List Price per Each	Weight lbs/100	Carton Qty	Pallet Qty
MBHA3.12/11.25	\$6,416.00	\$64.16	772	2	
MBHA3.12/7.25	\$5,750.00	\$57.50	607	2	
MBHA3.12/9.25	\$5,991.00	\$59.91	664	2	
MBHA3.56/11.25	\$5,698.00	\$56.98	838	2	
MBHA3.56/11.88	\$5,885.00	\$58.85	874	2	
MBHA3.56/14	\$7,261.00	\$72.61	997	2	
MBHA3.56/16	\$7,340.00	\$73.40	1113	2	
MBHA3.56/18	\$8,144.00	\$81.44	1228	2	
MBHA3.56/7.25	\$5,698.00	\$56.98	607	2	
MBHA3.56/9.25	\$5,698.00	\$56.98	723	2	
MBHA5.50/11.25	\$6,864.00	\$68.64	1136	2	
MBHA5.50/11.88	\$6,975.00	\$69.75	1182	2	
MBHA5.50/14	\$8,782.00	\$87.82	1339	2	
MBHA5.50/16	\$9,320.00	\$93.20	1487	2	
MBHA5.50/18	\$9,853.00	\$98.53	1634	2	
MBHA5.50/7.25	\$6,864.00	\$68.64	840	2	
MBHA5.50/9.25	\$6,864.00	\$68.64	988	2	
MBHAL3.12/11.25	\$16,237.00	\$162.37	981		
MBHAL3.12/7.25	\$15,571.00	\$155.71	686		
MBHAL3.12/9.25	\$15,813.00	\$158.13	834		
MBHAL3.56/11.25	\$15,520.00	\$155.20	1067		
MBHAL3.56/11.88	\$15,707.00	\$157.07	1116		
MBHAL3.56/14	\$17,082.00	\$170.82	1284		
MBHAL3.56/16	\$17,162.00	\$171.62	1442		
MBHAL3.56/18	\$17,964.00	\$179.64	1600		
MBHAL3.56/7.25	\$15,520.00	\$155.20	750		
MBHAL3.56/9.25	\$15,520.00	\$155.20	908		

**MBHA, MBHU MASONRY BEAM (HEAVY) HANGERS - EWP AND SOLID SAWN SIZES**

Model	List Price per 100	List Price per Each	Weight lbs/100	Carton Qty	Pallet Qty
MBHAL5.50/11.25	\$16,686.00	\$166.86	1548		
MBHAL5.50/11.88	\$16,796.00	\$167.96	1616		
MBHAL5.50/14	\$18,603.00	\$186.03	1848		
MBHAL5.50/16	\$19,142.00	\$191.42	2067		
MBHAL5.50/18	\$19,674.00	\$196.74	2286		
MBHAL5.50/7.25	\$16,686.00	\$166.86	1079		
MBHAL5.50/9.25	\$16,686.00	\$166.86	1299		
MBHAR3.12/11.25	\$16,237.00	\$162.37	981		
MBHAR3.12/7.25	\$15,571.00	\$155.71	686		
MBHAR3.12/9.25	\$15,813.00	\$158.13	834		
MBHAR3.56/11.25	\$15,520.00	\$155.20	1067		
MBHAR3.56/11.88	\$15,707.00	\$157.07	1116		
MBHAR3.56/14	\$17,083.00	\$170.83	1284		
MBHAR3.56/16	\$17,162.00	\$171.62	1442		
MBHAR3.56/18	\$17,964.00	\$179.64	1600		
MBHAR3.56/7.25	\$15,520.00	\$155.20	750		
MBHAR3.56/9.25	\$15,520.00	\$155.20	908		
MBHAR5.50/11.25	\$16,686.00	\$166.86	1548		
MBHAR5.50/11.88	\$16,796.00	\$167.96	1616		
MBHAR5.50/14	\$18,603.00	\$186.03	1848		
MBHAR5.50/16	\$19,142.00	\$191.42	2067		
MBHAR5.50/18	\$19,674.00	\$196.74	2286		
MBHAR5.50/7.25	\$16,686.00	\$166.86	1079		
MBHAR5.50/9.25	\$16,686.00	\$166.86	1299		
MBHU3.56/11.25KT	\$17,495.00	\$174.95	649	2	
MBHU3.56/11.88KT	\$17,666.00	\$176.66	683	2	
MBHU3.56/14KT	\$18,238.00	\$182.38	800	2	
MBHU3.56/16KT	\$18,776.00	\$187.76	911	2	
MBHU3.56/18KT	\$19,315.00	\$193.15	1021	2	
MBHU3.56/9.25KT	\$16,956.00	\$169.56	539	2	
MBHU5.50/11.25KT	\$18,352.00	\$183.52	820	2	
MBHU5.50/11.88KT	\$18,564.00	\$185.64	863	2	
MBHU5.50/14KT	\$19,282.00	\$192.82	1010	2	
MBHU5.50/16KT	\$19,959.00	\$199.59	1147	2	
MBHU5.50/18KT	\$20,628.00	\$206.28	1285	2	
MBHU5.50/9.25KT	\$17,683.00	\$176.83	683	2	

**MBHA MASONRY BEAM (HEAVY) HANGERS — EWP AND SOLID SAWN SIZES:**

**NOTE:** Can be skewed 45° only. Add: \$9821.00 to the list price per 100.

Order MBHAL for skew left and MBHAR for skew right.

**LUS DOUBLE SHEAR HANGERS - SOLID SAWN SIZES**

Model	List Price per 100	List Price per Each	Weight lbs/100	Carton Qty	Pallet Qty
LUS24	\$83.00	\$0.83	19	100	4,800
LUS26	\$117.00	\$1.17	27	100	4,800
LUS28	\$159.00	\$1.59	35	50	3,600
LUS210	\$175.00	\$1.75	40	50	3,600
LUS24-2	\$231.00	\$2.31	25	50	2,400
LUS26-2	\$245.00	\$2.45	36	25	1,500
LUS28-2	\$261.00	\$2.61	46	25	1,200
LUS210-2	\$330.00	\$3.30	56	25	1,500
LUS214-2	\$694.00	\$6.94	68	25	750
LUS26-3	\$579.00	\$5.79	36	25	600
LUS28-3	\$612.00	\$6.12	48	25	600
LUS210-3	\$643.00	\$6.43	57	25	750
LUS36	\$388.00	\$3.88	36	50	2,400
LUS310	\$431.00	\$4.31	56	50	1,500
LUS44	\$224.00	\$2.24	27	25	1,800
LUS46	\$252.00	\$2.52	35	25	1,500
LUS48	\$330.00	\$3.30	50	50	1,200
LUS410	\$396.00	\$3.96	56	50	1,500
LUS414	\$525.00	\$5.25	69	25	750

**N JOIST HANGER FASTENERS (PACKAGED IN 50 LB CARTONS, BUT AVAILABLE BY THE POUND)**

Model	List Price per 100 lbs	List Price per 1 lb	Approximate Fasteners per 100 lbs	Approximate Fasteners per 1 lb	Description
N8	\$471.00	\$4.71	15,200	152	.131 x 1 1/2 Nail HDG
N10	\$471.00	\$4.71	11,900	119	.148 x 1 1/2 Nail HDG
N16	\$471.00	\$4.71	6,300	63	.162 x 2 1/2 Bright Nail
N16EG	\$853.00	\$8.53	6,300	63	.162 x 2-1/2 Electro-Galv. Nail
N54A	\$1,180.00	\$11.80	2,700	27	.25 x 2 1/2 Annular Ring Nail
N54AHDG	\$2,526.00	\$25.26	2,700	27	.25 x 2 1/2 Annular Ring HDG

HDG = HOT DIP GALVANIZED

**MA, MAB, MAS, MASB MUDSILL ANCHORS**

Model	List Price per 100	List Price per Each	Weight lbs/100	Carton Qty	Pallet Qty
<b>MA MUDSILL ANCHOR</b>					
MA4	\$256.00	\$2.56	27	100	3,000
MA6	\$296.00	\$2.96	34	50	1,500
<b>MAB MUDSILL ANCHOR BLOCK</b>					
MAB15	\$106.00	\$1.06	25	50	3,600
MAB23	\$158.00	\$1.58	39	50	1,500
<b>MASA MUDSILL ANCHOR</b>					
MASA	\$177.00	\$1.77	31	50	2,200
MASAP	\$177.00	\$1.77	31	50	2,200
<b>MASB MUDSILL ANCHOR SINGLE-SIDE BLOCK</b>					
MASB	\$189.00	\$1.89	34	50	2,400

**MP MENDING PLATES**

Model	List Price per 100	List Price per Each	Weight lbs/100	Carton Qty	Pallet Qty
MP14	\$45.00	\$0.45	5	100	12,000
MP24	\$57.00	\$0.57	9	100	7,200
MP36	\$117.00	\$1.17	20	100	3,600

**NCA BRIDGING**

Model	List Price per 100	List Price per Each	Weight lbs/100	Carton Qty	Pallet Qty
NCA2X10-12	\$107.00	\$1.07	13	100	6,000
NCA2X12-12	\$107.00	\$1.07	14	100	6,000
NCA2X8-16	\$116.00	\$1.16	16	100	6,000
NCA2X10-16	\$116.00	\$1.16	17	100	6,000
NCA2X12-16	\$116.00	\$1.16	23	100	6,000

**NS, NSP, PSPN NAIL STOPPERS**

Model	List Price per 100	List Price per Each	Weight lbs/100	Carton Qty	Pallet Qty	
NS1	\$54.00	\$0.54	7	100	12,000	Sold in full cartons only
NS2	\$92.00	\$0.92	15	100	9,600	Sold in full cartons only
NSP1	\$54.00	\$0.54	7	200	19,200	Sold in full cartons only
NSP2	\$92.00	\$0.92	13	100	9,600	Sold in full cartons only
PSPN516	\$722.00	\$7.22	136	25	1,200	
PSPN58	\$427.00	\$4.27	66	50	3,600	

**OCB, OCC, OECC, OHA, OHL, OHS, OHT, OHU, OL, OS, OT, OU ORNAMENTAL ANGLES, HANGERS AND STRAPS**

Model	List Price per 100	List Price per Each	Weight lbs/100	Carton Qty	Pallet Qty
OCB44	\$13,905.00	\$139.05	858		
OCB46	\$18,383.00	\$183.83	480		
OCB48	\$18,518.00	\$185.18	530		
OCB66	\$20,199.00	\$201.99	750		
OCB68	\$22,478.00	\$224.78	825		
OCB88	\$33,260.00	\$332.60	1160		
OCB810	\$31,234.00	\$312.34	837		
OCC44	\$34,018.00	\$340.18	800		
OCC46	\$34,388.00	\$343.88	1480		
OCC66	\$47,094.00	\$470.94	1600		
OCC68	\$47,094.00	\$470.94	1600		
OCC88	\$53,424.00	\$534.24	2300		
OECC44	\$34,018.00	\$340.18	800		
OECC46	\$34,388.00	\$343.88	1480		
OECC66	\$47,094.00	\$470.94	1600		
OECC68	\$47,094.00	\$470.94	1600		
OECC88	\$48,846.00	\$488.46	2300		
OHA33	\$1,389.00	\$13.89	80		960
OHA36	\$2,769.00	\$27.69	160		960

**OCB, OCC, OECC, OHA, OHL, OHS, OHT, OHU, OL, OS, OT, OU ORNAMENTAL ANGLES, HANGERS AND STRAPS**

Model	List Price per 100	List Price per Each	Weight lbs/100	Carton Qty	Pallet Qty
OHL	\$3,751.00	\$37.51	253	10	440
OHS	\$1,886.00	\$18.86	136	10	
OHS135	\$5,518.00	\$55.18	387		
OHS195	\$10,511.00	\$105.11	545		
OHT	\$3,869.00	\$38.69	265	10	400
OHU410-SDS3	\$6,826.00	\$68.26	440		
OHU412-SDS3	\$7,373.00	\$73.73	598		
OHU414-SDS3	\$8,051.00	\$80.51	653		
OHU46-SDS3	\$5,471.00	\$54.71	289		
OHU48-SDS3	\$5,836.00	\$58.36	358		
OHU610-SDS3	\$7,069.00	\$70.69	598		
OHU612-SDS3	\$7,676.00	\$76.76	653		
OHU614-SDS3	\$7,680.00	\$76.80	716		
OHU66-SDS3	\$4,643.00	\$46.43	350		
OHU68-SDS3	\$6,752.00	\$67.52	418		
OL	\$2,196.00	\$21.96	122	5	1,000
OS	\$1,108.00	\$11.08	63	5	
OT	\$2,268.00	\$22.68	152	5	400
OU46	\$14,872.00	\$148.72	411		
OU48	\$15,716.00	\$157.16	548		
OU410	\$15,844.00	\$158.44	686		
OU412	\$18,999.00	\$189.99	823		
OU68	\$17,798.00	\$177.98	585		
OU610	\$20,124.00	\$201.24	723		
OU612	\$24,511.00	\$245.11	860		
OU614	\$27,603.00	\$276.03	998		
OU68	\$17,798.00	\$177.98	585		
OU810	\$23,365.00	\$233.65	761		
OU812	\$26,659.00	\$266.59	898		
OU814	\$30,758.00	\$307.58	1036		

**OCB, OCC, OECC, OHA, OHL, OHS, OHT, OHU, OL, OS, OT, OU ORNAMENTAL ANGLES, HANGERS AND STRAPS:**

**NOTES:**

- 1. SDS 1/4 x 3 screws included with OHU-SDS Models**
- 2. OHU models are not modifiable.**
- 3. OU for Glulam sizes - use closest size, add X and specify width — Example: OU68X, W = 5.25"**
- 4. \$25.00 set up charge applies to modified products**

**PA, PAI, MPAI, HPA PURLIN ANCHORS - EWP AND SOLID SAWN SIZES**

Model	List Price per 100	List Price per Each	Weight lbs/100	Carton Qty	Pallet Qty
PA18	\$944.00	\$9.44	124	10	1,000
PA23	\$1,102.00	\$11.02	152	10	1,000
PA28	\$1,125.00	\$11.25	194	10	1,000
PA35	\$1,544.00	\$15.44	222		1,000
PA51	\$1,568.00	\$15.68	315	10	300
PA68	\$2,071.00	\$20.71	430	5	300
PAI18	\$942.00	\$9.42	119		1,000
PAI23	\$1,183.00	\$11.83	148		1,000
PAI28	\$1,571.00	\$15.71	182		1,000
PAI35	\$1,665.00	\$16.65	217		1,000
HPA28	\$2,016.00	\$20.16	264	5	500
HPA35	\$2,196.00	\$21.96	318	5	500
MPAI32	\$1,334.00	\$13.34	243		
MPAI44	\$1,665.00	\$16.65	336		
HPAT28	\$2,138.00	\$21.38	260	5	500
HPAT35	\$2,116.00	\$21.16	232	5	500

**PA, PAI, MPAI, HPA PURLIN ANCHORS — EWP AND SOLID SAWN SIZES:**
**NOTES:**

1. PAT PRICING: Add \$122.00 to the list price per 100 to PA18, PA23 or PA28.
2. PAI series are NOT available in twist configuration.
3. For STHD, STHDRJ, STRAP-TIE HOLDOWN EMBEDDED, RIM JOIST, see Page 62.

**PB, BPV POST BASES, POST BASES VIGA**

Model	List Price per 100	List Price per Each	Weight lbs/100	Carton Qty	Pallet Qty
PB44	\$1,012.00	\$10.12	120	10	900
PB46	\$1,495.00	\$14.95	144	10	360
PB66	\$2,137.00	\$21.37	224	10	480
PB44R	\$1,421.00	\$14.21	124	10	900
PB66R	\$2,874.00	\$28.74	222	10	300
PBV6	\$1,689.00	\$16.89	97	10	
PBV10	\$3,333.00	\$33.33	223	6	

**PB, BPV POST BASES, POST BASES VIGA**

Model	List Price per 100	List Price per Each	Weight lbs/100	Description
PBV6KT	\$6,710.00	\$67.10	244	Contains: (1) PBVPC, (1) SET1.7KT, (1) RFB# 5x16 and (4) SDS 1/4"x3"
PBV10KT	\$8,541.00	\$85.41	370	Contains: (1) PBV10PC, (1) SET1.7KT, (1) RFB# 5x16 and (4) SDS 1/4"x3"
PBV10PC	\$5,836.00	\$58.36	223	6
PBV6PC	\$2,954.00	\$29.54	97	10



**PBS STANDOFF POST BASES**

Model	List Price per 100	List Price per Each	Weight lbs/100	Carton Qty	Pallet Qty
PBS44A	\$1,287.00	\$12.87	180	10	600
PBS44R	\$1,414.00	\$14.14	190	10	
PBS46	\$1,763.00	\$17.63	212	5	180
PBS66	\$2,320.00	\$23.20	328	10	240
PBS66R	\$2,834.00	\$28.34	332	10	

R = rough sizes

**PC POST CAPS**

Model	List Price per 100	List Price per Each	Weight lbs/100	Carton Qty	Pallet Qty
PC44	\$3,310.00	\$33.10	330	10	600
PC44-16	\$1,489.00	\$14.89	180	10	540
PC44R	\$3,642.00	\$36.42	325		
PC44R-16	\$1,637.00	\$16.37	240	10	
PC46	\$4,413.00	\$44.13	392	10	300
PC46-16	\$2,489.00	\$24.89	228	10	300
PC46R	\$4,855.00	\$48.55	420	10	
PC46R-16	\$2,738.00	\$27.38	275	10	
PC48	\$6,514.00	\$65.14	450	10	
PC48-16	\$4,200.00	\$42.00	265	10	
PC64	\$4,323.00	\$43.23	397	10	
PC64-16	\$2,349.00	\$23.49	226	10	300
PC64R	\$4,756.00	\$47.56	420	10	
PC64R-16	\$2,584.00	\$25.84	225	10	
PC66	\$5,467.00	\$54.67	469	10	300
PC66-16	\$2,489.00	\$24.89	269	10	300
PC66R	\$7,495.00	\$74.95	490		
PC66R-16	\$2,584.00	\$25.84	300	10	
PC68	\$6,150.00	\$61.50	532	10	
PC84	\$6,200.00	\$62.00	453	10	
PC86	\$6,271.00	\$62.71	541	10	
PC88	\$9,436.00	\$94.36	619	10	150

R = rough sizes

EPC Pricing: Use same pricing and carton quantity as comparable PC.

**PF, PFD POST FRAME HANGERS**

Model	List Price per 100	List Price per Each	Weight lbs/100	Carton Qty	Pallet Qty
PF24	\$194.00	\$1.94	21	50	3,600
PF26	\$252.00	\$2.52	29	50	1,800
PF24A	\$146.00	\$1.46	22	50	2,400
PF26A	\$173.00	\$1.73	28	50	2,400
PFD24	\$296.00	\$2.96	38	25	900
PFD26	\$370.00	\$3.70	56	25	900
PFD26L	\$375.00	\$3.75	56	25	900
PFDS24	\$390.00	\$3.90	45	25	1,200
PFDS26	\$442.00	\$4.42	57	25	600

D = Saddle

**PS PILING SUPPORTS**

Model	List Price per 100	List Price per Each	Weight lbs/100	Carton Qty	Pallet Qty
PS218	\$1,905.00	\$19.05	173	10	500
PS418	\$3,472.00	\$34.72	357	10	500
PS720	\$9,083.00	\$90.83	669		
<b>Non-Notched Ornamentals (Classic) POWDER COATED</b>					
PS218PC	\$3,333.00	\$33.33	173		
PS418PC	\$6,078.00	\$60.78	357		
PS720PC	\$15,896.00	\$158.96	669		

**PSCL PANEL SHEATHING CLIPS**

Model	List Price per 100	List Price per Each	Weight lbs/100	Carton Qty	Pallet Qty	
PSCL 3/8	\$19.00	\$0.19	3	250	25,000	Sold in full cartons only
PSCA 7/16	\$18.00	\$0.18	2	250	30,000	Sold in full cartons only
PSCL 7/16	\$19.00	\$0.19	3	250	25,000	Sold in full cartons only
PSCA 15/32	\$18.00	\$0.18	2	250	30,000	Sold in full cartons only
PSCL 15/32	\$19.00	\$0.19	3	250	25,000	Sold in full cartons only
PSCL 1/2	\$19.00	\$0.19	3	250	25,000	Sold in full cartons only
PSCL 19/32	\$20.00	\$0.20	3	250	25,000	Sold in full cartons only
PSCL 5/8	\$20.00	\$0.20	3	250	25,000	Sold in full cartons only
PSCL 3/4	\$22.00	\$0.22	3	250	25,000	Sold in full cartons only

**RBC, RBCP ROOF BLOCKING CLIPS**

Model	List Price per 100	List Price per Each	Weight lbs/100	Carton Qty	Pallet Qty
RBC	\$146.00	\$1.46	21	100	7,200
RBCP	\$154.00	\$1.54	21	200	3,600

**RC RIPPER CLIP - EWP SIZES**

Model	List Price per 100	List Price per Each	Weight lbs/100	Carton Qty	Pallet Qty
RC1.56	\$95.00	\$0.95	8	100	
RC1.81	\$99.00	\$0.99	8	100	
RC2.1	\$99.00	\$0.99	8	100	

**RP RETRO PLATE**

Model	List Price per 100	List Price per Each	Weight lbs/100	Carton Qty	Pallet Qty
RP6	\$1,416.00	\$14.16	380	5	600

**RPS RETROFIT/REINFORCED PLATE STRAPS**

Model	List Price per 100	List Price per Each	Weight lbs/100	Carton Qty	Pallet Qty
RPS18	\$230.00	\$2.30	44	50	3,000
RPS22	\$279.00	\$2.79	54	25	1,500
RPS28	\$355.00	\$3.55	69	25	2,400

**RR RIDGE RAFTER CONNECTORS**

Model	List Price per 100	List Price per Each	Weight lbs/100	Carton Qty	Pallet Qty
RR	\$173.00	\$1.73	20	50	3,600
RSP4	\$50.00	\$0.50	10	100	9,600
RSP4B	\$30.00	\$0.30	8	20000	

**RTA, RTB, RTC, RTR, RTT, RTU RIGID TIE CONNECTORS**

Model	List Price per 100	List Price per Each	Weight lbs/100	Carton Qty	Pallet Qty
RTA1	\$107.00	\$1.07	10	50	7,200
RTA12	\$194.00	\$1.94	19	50	6,000
RTA4	\$290.00	\$2.90	47	25	3,600
RTB22	\$83.00	\$0.83	8	25	6,000
RTC24	\$578.00	\$5.78	111	10	720
RTC42	\$711.00	\$7.11	110	8	576
RTC44	\$2,500.00	\$25.00	300	12	360
RTR	\$128.00	\$1.28	13	50	5,400
RTT12	\$287.00	\$2.87	45	10	1,200
RTT22	\$288.00	\$2.88	30	25	2,250
RTU2	\$68.00	\$0.68	6	100	9,600

**SA, HSA STRAP CONNECTORS**

Model	List Price per 100	List Price per Each	Weight lbs/100	Carton Qty	Pallet Qty
<b>SA STRAP ANCHOR</b>					
SA36	\$2,761.00	\$27.61	212		500
<b>HSA STRUT OR SHEAR CONNECTORS</b>					
HSA32	\$5,648.00	\$56.48	642		
HSA41	\$5,866.00	\$58.66	825		
HSA50	\$8,945.00	\$89.45	980		
HSA59	\$10,894.00	\$108.94	1179		
HSA68	\$11,064.00	\$110.64	1569		150

**SBV SHELF BRACKETS**

Model	List Price per 100	List Price per Each	Weight lbs/100	Carton Qty	Pallet Qty
SBV	\$892.00	\$8.92	88	24	864

**SM STRAPMATE® STRAP HOLDER**

Model	List Price per 100	List Price per Each	Weight lbs/100	Carton Qty	Pallet Qty
SM1	\$982.00	\$9.82	28	20	

**SS, HSS STUD SHOES**

Model	List Price per 100	List Price per Each	Weight lbs/100	Carton Qty	Pallet Qty
SS1.5	\$672.00	\$6.72	60	50	2,700
SS2.5	\$1,013.00	\$10.13	57	25	
SS3	\$1,138.00	\$11.38	64	25	2,400
SS4.5	\$1,556.00	\$15.56	68	25	

**SS, HSS STUD SHOES**

Model	List Price per 100	List Price per Each	Weight lbs/100	Carton Qty	Pallet Qty
<b>HEAVY STUD SHOES – 1 STUD SHOE W/SCREWS</b>					
HSS2-2-SDS3	\$2,268.00	\$22.68	153	12	648
HSS2-3-SDS3	\$2,268.00	\$22.68	173	12	864
HSS2-SDS1.5	\$1,782.00	\$17.82	115	12	1,440
HSS4-SDS3	\$2,268.00	\$22.68	131	12	
<b>HEAVY STUD SHOE KITS – 4 PACK W/SCREWS</b>					
HSS2-2KT	\$7,067.00	\$70.67	500	10	
HSS2KT	\$5,216.00	\$52.16	400	10	600
HSS4KT	\$7,451.00	\$74.51	500	8	

**CNW, HSCNW COUPLER NUTS WITNESS HOLE**

Model	List Price per 100	List Price per Each	Weight lbs/100	Pack Qt	Carton Qty	Pallet Qty
CNW1	\$2,489.00	\$24.89	71		75	
CNW1 1/4	\$4,133.00	\$41.33	95		50	
CNW1/2	\$356.00	\$3.56	6	20	100	10,500
CNW1-7/8	\$3,275.00	\$32.75	55		100	
CNW3/4	\$492.00	\$4.92	30	20	80	
CNW3/4-3/4-OST	\$1,510.00	\$15.10	35			
CNW3/4-5/8	\$1,208.00	\$12.08	21		250	
CNW5/8	\$374.00	\$3.74	18	20	100	
CNW5/8-1/2	\$1,674.00	\$16.74	14		400	
CNW5/8-5/8-OST	\$2,895.00	\$28.95	18		25	
CNW5/8-R	\$545.00	\$5.45	16	20	100	
CNW7/8	\$921.00	\$9.21	55	10	40	4,000
CNW7/8-5/8	\$1,208.00	\$12.08	41		150	
CNW7/8-7/8-OST	\$3,914.00	\$39.14	55		25	
CNW7/8-R	\$1,337.00	\$13.37	55	10	50	
HSCNW1	\$3,914.00	\$39.14	120			
HSCNW3/4	\$2,445.00	\$24.45	110		150	

**ST, HST, LSTA, LSTI, MST, MSTA, MSTAM, MSTC, MSTCM, MSTI STRAP TIES - EWP AND SOLID SAWN SIZES**

Model	List Price per 100	List Price per Each	Weight lbs/100	Carton Qty	Pallet Qty
<b>ST STRAP TIES</b>					
ST292	\$167.00	\$1.67	17	50	13,200
ST2115	\$158.00	\$1.58	12	50	10,000
ST2122	\$228.00	\$2.28	22	50	9,900
ST2215	\$205.00	\$2.05	30	50	8,400
ST6215	\$253.00	\$2.53	48	25	4,000
ST6224	\$457.00	\$4.57	67	25	3,000
ST6236	\$552.00	\$5.52	128	25	2,100
ST9	\$109.00	\$1.09	19	100	9,600
ST12	\$137.00	\$1.37	24	100	6,000
ST18	\$204.00	\$2.04	37	100	6,000
ST22	\$288.00	\$2.88	44	100	5,000
<b>LSTA, LSTI LIGHT STRAP-TIES, LIGHT STRAP-TIES I-JOIST APPLICATION</b>					
LSTA9	\$83.00	\$0.83	11	50	18,200
LSTA12	\$91.00	\$0.91	16	50	13,650
LSTA15	\$137.00	\$1.37	20	50	9,900
LSTA18	\$160.00	\$1.60	22	50	9,100

**ST, HST, LSTA, LSTI, MST, MSTA, MSTAM, MSTC, MSTCM, MSTI STRAP TIES - EWP AND SOLID SAWN SIZES**

Model	List Price per 100	List Price per Each	Weight lbs/100	Carton Qty	Pallet Qty
LSTA21	\$180.00	\$1.80	26	50	7,700
LSTA24	\$201.00	\$2.01	30	50	7,700
LSTA30	\$257.00	\$2.57	50	50	4,500
LSTA36	\$314.00	\$3.14	60	50	3,900
LSTI49	\$1,535.00	\$15.35	255		500
LSTI73	\$2,161.00	\$21.61	380		500
<b>MST MEDIUM STRAP-TIES</b>					
MST27	\$808.00	\$8.08	159	10	1,000
MST37	\$1,155.00	\$11.55	216	10	1,000
MST48	\$1,598.00	\$15.98	273	10	1,000
MST60	\$2,460.00	\$24.60	462	10	500
MST72	\$3,260.00	\$32.60	560	5	300
<b>MSTA STRAP-TIES</b>					
MSTA9	\$91.00	\$0.91	15	50	13,000
MSTA12	\$118.00	\$1.18	20	50	11,700
MSTA15	\$154.00	\$1.54	24	50	8,250
MSTA18	\$185.00	\$1.85	32	50	6,500
MSTA21	\$214.00	\$2.14	34	50	5,500
MSTA24	\$245.00	\$2.45	40	50	5,500
MSTA30	\$290.00	\$2.90	62	50	3,750
MSTA36	\$367.00	\$3.67	72	50	3,250
MSTA49	\$495.00	\$4.95	100	25	1,600
<b>MSTAM STRAP-TIES MASONRY APPLICATION</b>					
MSTAM24	\$245.00	\$2.45	39	50	5,500
MSTAM36	\$367.00	\$3.67	72	50	3,250
<b>MSTC STRAP-TIES COUNTERSUNK</b>					
MSTC28	\$763.00	\$7.63	150	10	1,050
MSTC40	\$1,093.00	\$10.93	210	10	1,050
MSTC52	\$1,506.00	\$15.06	272	10	960
MSTC66	\$2,330.00	\$23.30	429	10	500
MSTC78	\$3,206.00	\$32.06	506	5	500
<b>MSTCM STRAP-TIES COUNTERSUNK, MASONRY APPLICATION</b>					
MSTCM40	\$1,090.00	\$10.90	210	10	1,050
MSTCM60	\$2,281.00	\$22.81	316	10	720
<b>MSTI MEDIUM STRAP-TIES, I-JOIST APPLICATION</b>					
MSTI26	\$1,042.00	\$10.42	159	10	1,000
MSTI36	\$1,352.00	\$13.52	210	10	1,000
MSTI48	\$1,875.00	\$18.75	297	10	1,000
MSTI60	\$2,296.00	\$22.96	352	10	500
MSTI72	\$3,204.00	\$32.04	427	5	300
<b>HST HEAVY STRAP-TIES</b>					
HST2	\$2,077.00	\$20.77	260	10	
HST3	\$3,853.00	\$38.53	490		
HST5	\$4,051.00	\$40.51	508		
HST6	\$4,873.00	\$48.73	981		
<b>NON-NOTCHED ORNAMENTALS (CLASSIC) POWDER COATED</b>					
HST2PC	\$3,635.00	\$36.35	250		
HST3PC	\$6,743.00	\$67.43	490		
HST5PC	\$7,090.00	\$70.90	500		
HST6PC	\$8,526.00	\$85.26	981		

**CS, CMST, CMSTC COILED STRAPS**

Model	List Price per 100	List Price per Each	Weight lbs/100	Length in Feet	Carton Qty	Pallet Qty
<b>CS COILED STRAPS</b>						
CS14	\$34,214.00	\$342.14	3200	100'	1	36
CS16	\$26,317.00	\$263.17	3900	150'	1	36
CS18	\$26,317.00	\$263.17	4100	200'	1	36
CS18S	\$13,260.00	\$132.60	2000	100'	1	64
CS20	\$26,317.00	\$263.17	3900	250'	1	36
CS22	\$26,317.00	\$263.17	3700	300'	1	36
<b>CS COILED STRAPS NO HOLES</b>						
CS18-SNH	\$13,260.00	\$132.60	2000	100'	1	36
<b>CMST COILED STRAPS</b>						
CMST12	\$26,739.00	\$267.39	3900	40'	1	16
CMST14	\$26,904.00	\$269.04	3900	52' 6"	1	16
CMSTC16	\$26,943.00	\$269.43	3200	54'	1	20

NOTE: CSXX-R IN RETAIL PACKAGED SECTION PAGE 101

**FHA STRAP-TIES**

Model	List Price per 100	List Price per Each	Weight lbs/100	Carton Qty	Pallet Qty
FHA6	\$267.00	\$2.67	22	50	
FHA9	\$268.00	\$2.68	32	50	8,000
FHA12	\$298.00	\$2.98	40	50	6,000
FHA18	\$397.00	\$3.97	60	50	4,000
FHA24	\$518.00	\$5.18	80	25	3,000
FHA30	\$860.00	\$8.60	104	25	3,000

**CTS COMPRESSION/TENSION STRAP**

Model	List Price per 100	List Price per Each	Weight lbs/100	Carton Qty	Pallet Qty
CTS218	\$408.00	\$4.08	67	50	

**ST, STCT, STC, DTC, HTC TRUSS CLIPS**

Model	List Price per 100	List Price per Each	Weight lbs/100	Carton Qty	Pallet Qty
STC	\$76.00	\$0.76	8	200	14,400
STCT	\$117.00	\$1.17	10	200	14,400
DTC	\$227.00	\$2.27	15	100	7,200
HTC4	\$495.00	\$4.95	34	50	2,400

**STHD, LSTHD (Embedded), STHDRJ, LSTHDRJ (Rim Joist) STRAP-TIEDOWNS**

Model	List Price per 100	List Price per Each	Weight lbs/100	Carton Qty	Pallet Qty
<b>STHD STRAP-TIE HOLDOWNS, EMBEDDED</b>					
LSTHD8	\$1,782.00	\$17.82	203		500
STHD8	\$1,749.00	\$17.49	257	10	500
STHD10	\$1,880.00	\$18.80	316	10	500
STHD14	\$2,683.00	\$26.83	430		300
<b>STHDRJ STRAP-TIE HOLDOWNS RIM JOIST</b>					
LSTHD8RJ	\$2,519.00	\$25.19	291		500
STHD8RJ	\$2,127.00	\$21.27	400		500
STHD10RJ	\$2,249.00	\$22.49	439		500
STHD14RJ	\$2,974.00	\$29.74	502		250

**SUR, HSUR, SUL, HSUL HANGERS - SKEWED RIGHT OR LEFT, 45 DEGREE - EWP AND SOLID SAWN SIZES**

<b>Model</b>	<b>List Price per 100</b>	<b>List Price per Each</b>	<b>Weight lbs/100</b>	<b>Carton Qty</b>	<b>Pallet Qty</b>
SUL1.81/9	\$1,911.00	\$19.11	170	25	600
SUL1.81/11	\$2,045.00	\$20.45	204	25	600
SUL1.81/14	\$2,286.00	\$22.86	251	15	
SUL2.06/9	\$2,039.00	\$20.39	168	20	600
SUL2.06/11	\$2,192.00	\$21.92	204	20	600
SUL2.06/14	\$2,603.00	\$26.03	243	15	
SUL2.1/9	\$2,039.00	\$20.39	168	20	600
SUL2.1/11	\$2,192.00	\$21.92	205	20	600
SUL2.1/14	\$2,603.00	\$26.03	244	15	
SUL2.37/9	\$2,166.00	\$21.66	170	20	600
SUL2.37/11	\$2,292.00	\$22.92	207	20	600
SUL2.37/14	\$2,603.00	\$26.03	246	15	450
SUL2.56/9	\$2,166.00	\$21.66	172	20	600
SUL2.56/11	\$2,292.00	\$22.92	209	20	600
SUL2.56/14	\$2,642.00	\$26.42	247	15	450
SUL24	\$998.00	\$9.98	44	50	1,200
SUL26	\$1,012.00	\$10.12	64	25	1,800
SUL210	\$1,166.00	\$11.66	98	25	1,800
SUL214	\$2,078.00	\$20.78	119	25	900
SUL26-2	\$1,880.00	\$18.80	106	25	
SUL210-2	\$2,016.00	\$20.16	151	25	600
SUL214-2	\$3,176.00	\$31.76	276	25	
SUL46	\$1,571.00	\$15.71	106	25	
SUL410	\$1,837.00	\$18.37	151	25	600
SUL414	\$2,841.00	\$28.41	211	25	750
SUL5.12/11	\$3,007.00	\$30.07	275	15	
SULC26-2	\$1,880.00	\$18.80	106		
SULC210-2	\$2,016.00	\$20.16	165		
SULC214-2	\$3,176.00	\$31.76	230		
SULC46	\$1,571.00	\$15.71	106		
SULC410	\$1,837.00	\$18.37	165		
SULC414	\$2,841.00	\$28.41	230		
SUR1.81/9	\$1,911.00	\$19.11	170	25	600
SUR1.81/11	\$2,045.00	\$20.45	204	25	600
SUR1.81/14	\$2,286.00	\$22.86	251	15	
SUR2.06/9	\$2,039.00	\$20.39	168	20	600
SUR2.06/11	\$2,192.00	\$21.92	204	20	600
SUR2.06/14	\$2,603.00	\$26.03	243	15	

**SUR, HSUR, SUL, HSUL HANGERS - SKEWED RIGHT OR LEFT, 45 DEGREE - EWP AND SOLID SAWN SIZES**

<b>Model</b>	<b>List Price per 100</b>	<b>List Price per Each</b>	<b>Weight lbs/100</b>	<b>Carton Qty</b>	<b>Pallet Qty</b>
SUR2.1/9	\$2,039.00	\$20.39	168	20	600
SUR2.1/11	\$2,192.00	\$21.92	205	20	600
SUR2.1/14	\$2,603.00	\$26.03	244	15	
SUR2.37/9	\$2,166.00	\$21.66	170	20	600
SUR2.37/11	\$2,292.00	\$22.92	207	20	600
SUR2.37/14	\$2,603.00	\$26.03	246	15	450
SUR2.56/9	\$2,166.00	\$21.66	172	20	600
SUR2.56/11	\$2,292.00	\$22.92	209	20	600
SUR2.56/14	\$2,642.00	\$26.42	247	15	450
SUR24	\$998.00	\$9.98	44	50	1,200
SUR26	\$1,012.00	\$10.12	64	25	1,800
SUR210	\$1,166.00	\$11.66	98	25	1,800
SUR214	\$2,078.00	\$20.78	119	25	900
SUR210-2	\$2,016.00	\$20.16	151	25	600
SUR214-2	\$3,176.00	\$31.76	276	25	
SUR26-2	\$1,880.00	\$18.80	106	25	
SUR46	\$1,571.00	\$15.71	106	25	
SUR410	\$1,837.00	\$18.37	151	25	600
SUR414	\$2,841.00	\$28.41	211	25	750
SUR5.12/11	\$3,007.00	\$30.07	275	15	
SURC26-2	\$1,880.00	\$18.80	106		
SURC210-2	\$2,016.00	\$20.16	165		
SURC214-2	\$3,176.00	\$31.76	230		
SURC46	\$1,571.00	\$15.71	106		
SURC410	\$1,837.00	\$18.37	165		
SURC414	\$2,841.00	\$28.41	230		
HSUL26-2	\$2,161.00	\$21.61	115	25	
HSUL210-2	\$2,997.00	\$29.97	187	20	
HSUL214-2	\$4,394.00	\$43.94	264		
HSUL4.12/9	\$3,083.00	\$30.83	292		
HSUL4.12/11	\$3,458.00	\$34.58	316		
HSUL4.12/14	\$4,186.00	\$41.86	340		
HSUL4.12/16	\$4,718.00	\$47.18	364		
HSUL4.28/9	\$3,083.00	\$30.83	285	10	300
HSUL4.28/11	\$3,458.00	\$34.58	340	10	300
HSUL4.75/9	\$3,172.00	\$31.72	280		
HSUL4.75/11	\$3,541.00	\$35.41	327	10	
HSUL4.75/14	\$4,269.00	\$42.69	345		
HSUL4.75/16	\$4,801.00	\$48.01	369		



**SUR, HSUR, SUL, HSUL HANGERS - SKEWED RIGHT OR LEFT, 45 DEGREE - EWP AND SOLID SAWN SIZES**

Model	List Price per 100	List Price per Each	Weight lbs/100	Carton Qty	Pallet Qty
HSUL46	\$2,570.00	\$25.70	146		
HSUL410	\$2,709.00	\$27.09	199	20	
HSUL414	\$3,637.00	\$36.37	278	12	
HSUL5.12/9	\$3,222.00	\$32.22	312		
HSUL5.12/11	\$3,590.00	\$35.90	339	10	
HSUL5.12/14	\$4,319.00	\$43.19	355		
HSUL5.12/16	\$4,848.00	\$48.48	375		
HSULC26-2	\$2,161.00	\$21.61	146		
HSULC210-2	\$2,997.00	\$29.97	232		
HSULC214-2	\$4,394.00	\$43.94	319		
HSULC46	\$2,570.00	\$25.70	146		
HSULC410	\$2,709.00	\$27.09	232		
HSULC414	\$3,637.00	\$36.37	319		
HSUR26-2	\$2,161.00	\$21.61	115	25	
HSUR210-2	\$2,997.00	\$29.97	187	20	
HSUR214-2	\$4,394.00	\$43.94	264		
HSUR4.12/9	\$3,083.00	\$30.83	292		
HSUR4.12/11	\$3,458.00	\$34.58	316		
HSUR4.12/14	\$4,186.00	\$41.86	340		
HSUR4.12/16	\$4,718.00	\$47.18	364		
HSUR4.28/9	\$3,083.00	\$30.83	285	10	300
HSUR4.28/11	\$3,458.00	\$34.58	340	10	300
HSUR4.75/9	\$3,172.00	\$31.72	280		
HSUR4.75/11	\$3,541.00	\$35.41	327	10	
HSUR4.75/14	\$4,269.00	\$42.69	345		
HSUR4.75/16	\$4,801.00	\$48.01	369		
HSUR46	\$2,570.00	\$25.70	146		
HSUR410	\$2,709.00	\$27.09	199	20	
HSUR414	\$3,637.00	\$36.37	278	12	
HSUR5.12/9	\$3,222.00	\$32.22	312		
HSUR5.12/11	\$3,590.00	\$35.90	339	10	
HSUR5.12/14	\$4,319.00	\$43.19	355		
HSUR5.12/16	\$4,848.00	\$48.48	375		
HSURC26-2	\$2,161.00	\$21.61	146		
HSURC210-2	\$2,997.00	\$29.97	232		
HSURC214-2	\$4,394.00	\$43.94	319		
HSURC46	\$2,570.00	\$25.70	146		
HSURC410	\$2,709.00	\$27.09	232		
HSURC414	\$3,637.00	\$36.37	319		

**SUR, HSUR, SUL, HSUL HANGERS — SKEWED RIGHT OR LEFT, 45 DEGREES — EWP AND SOLID SAWN SIZES:**

**NOTES:**

For skewed right, order model ending in “R” and for skewed left, order model ending in “L”.

**EXAMPLE:** Skewed right, specify SUR, HSUR. Skewed left, specify SUL, HSUL.

For concealed A2 flange on double 2x or 4x models, add “C” to the end of the product name.

**EXAMPLE:** Specify HSURC46, HSULC46, SURC46, or SULC46.

Pricing is the same as for comparable size SUR, SUL, HSUR, HSUL product.

For information on availability and pricing, contact Simpson Strong-Tie Company Inc. at 800-999-5099.

**“T” & “L” STRAPS**

Model	List Price per 100	List Price per Each	Weight lbs/100	Carton Qty	Pallet Qty
66T	\$408.00	\$4.08	30	10	1,000
128T	\$926.00	\$9.26	71	10	1,600
1212T	\$1,384.00	\$13.84	85	10	900
1212HT	\$2,735.00	\$27.35	258	5	
1616HT	\$3,985.00	\$39.85	356	5	
55L	\$199.00	\$1.99	15	100	7,200
66L	\$408.00	\$4.08	33	10	4,800
88L	\$623.00	\$6.23	53	10	2,000
1212L	\$827.00	\$8.27	86	10	1,500
1212HL	\$2,286.00	\$22.86	254	5	
1616HL	\$2,753.00	\$27.53	361	5	
1212HLPC	\$3,998.00	\$39.98	262		
1212HTPC	\$4,786.00	\$47.86	258		
1616HLPC	\$4,238.00	\$42.38	365		
1616HTPC	\$5,688.00	\$56.88	365		

H = Heavy

**TB, LTB TENSION BRIDGING - (SOLD IN PIECES--NOT PAIRS) - EWP AND SOLID SAWN SIZES**

Model	List Price per 100	List Price per Each	Weight lbs/100	Carton Qty	Pallet Qty
TB20	\$220.00	\$2.20	21	50	4,000
TB27	\$230.00	\$2.30	28	50	4,000
TB30	\$282.00	\$2.82	31	50	4,000
TB36	\$291.00	\$2.91	37	50	4,000
TB42	\$367.00	\$3.67	44	50	4,000
TB48	\$445.00	\$4.45	52	50	4,000
TB54	\$457.00	\$4.57	71	50	4,000
TB56	\$464.00	\$4.64	57	50	4,000
TB60	\$473.00	\$4.73	82	50	4,000
<b>LTB LIGHT TENSION BRIDGING</b>					
LTB20	\$39.00	\$0.39	13	200	12,000
LTB40	\$110.00	\$1.10	28	100	4,500

**TBE TRUSS BEARING ENHANCERS**

Model	List Price per 100	List Price per Each	Weight lbs/100	Carton Qty	Pallet Qty
TBE4	\$598.00	\$5.98	31	50	1,500
TBE6	\$772.00	\$7.72	38	50	1,500

**TC TRUSS CONNECTORS**

Model	List Price per 100	List Price per Each	Weight lbs/100	Carton Qty	Pallet Qty
TC24	\$638.00	\$6.38	34	50	1,800
TC26	\$877.00	\$8.77	58	25	900
TC28	\$1,935.00	\$19.35	82	25	

**THAI HANGERS - EWP SIZES**

Model	List Price per 100	List Price per Each	Weight lbs/100	Carton Qty	Pallet Qty
THAI1.81/22	\$1,469.00	\$14.69	148	25	375
THAI-2	\$3,585.00	\$35.85	242		
THAI2.06/22	\$1,452.00	\$14.52	148	25	
THAI2.1/22	\$1,452.00	\$14.52	148	25	375
THAI222	\$1,469.00	\$14.69	148	25	375
THAI322	\$1,469.00	\$14.69	148	25	375
THAI3522	\$1,469.00	\$14.69	148	25	375
THAI422	\$1,469.00	\$14.69	148	25	375
THAI5.13/21	\$3,585.00	\$35.85	242	25	

**THA, THAC ADJUSTABLE TRUSS HANGERS - SOLID SAWN SIZES**

Model	List Price per 100	List Price per Each	Weight lbs/100	Carton Qty	Pallet Qty
THA29	\$427.00	\$4.27	63	50	1,200
THA213	\$877.00	\$8.77	69	50	750
THA218	\$917.00	\$9.17	85	50	750
THA218-2	\$962.00	\$9.62	112	25	450
THA222-2	\$1,028.00	\$10.28	139	25	375
THA413	\$896.00	\$8.96	72	50	750
THA418	\$926.00	\$9.26	111	25	450
THA422	\$968.00	\$9.68	140	25	375
THA426	\$3,479.00	\$34.79	230	15	135
THA422-2	\$3,945.00	\$39.45	270	10	
THA426-2	\$4,054.00	\$40.54	300	10	

**THAC ADJUSTABLE TRUSS HANGERS, CONCEALED**

THAC418	\$926.00	\$9.26	111	25	450
THAC422	\$968.00	\$9.68	140	25	375
THAC426	\$3,479.00	\$34.79	230	15	135
THAC422-2	\$3,945.00	\$39.45	270	10	
THAC426-2	\$4,054.00	\$40.54	300	15	

**THAL, THAR, THASR, THASL ADJUSTABLE HEIGHT SKEWED RIGHT OR LEFT 45 DEGREES**

Model	List Price per 100	List Price per Each	Weight lbs/100	Carton Qty	Pallet Qty
THASL29	\$5,085.00	\$50.85	110	25	
THASL218	\$5,085.00	\$50.85	140	25	
THASL29-2	\$5,390.00	\$53.90	140	25	
THASL218-2	\$5,390.00	\$53.90	146	25	
THAL422	\$8,953.00	\$89.53	250	12	
THAR422	\$8,953.00	\$89.53	250	12	
THASL418	\$8,160.00	\$81.60	143	25	
THASR418	\$8,160.00	\$81.60	143	25	
THASR29	\$5,085.00	\$50.85	110	25	
THASR218	\$5,085.00	\$50.85	140	25	
THASR29-2	\$5,390.00	\$53.90	140	25	
THASR218-2	\$5,390.00	\$53.90	146	25	

**THG, THGB, THGBH, THGBHV, THGBV, THGW TRUSS GIRDER HANGERS**

Model	List Price per 100	List Price per Each	Weight lbs/100	Carton Qty	Pallet Qty
THG2A	\$14,718.00	\$147.18	582	5	
THG3A	\$19,460.00	\$194.60	1170		
THG4A	\$29,109.00	\$291.09	1958		
THGB2	\$15,923.00	\$159.23	2048		
THGB3	\$18,757.00	\$187.57	2103		
THGBH2	\$21,771.00	\$217.71	2327		
THGBH3	\$22,707.00	\$227.07	2382		
THGBH4	\$23,331.00	\$233.31	2437		
THGBHV3.62/9	\$21,771.00	\$217.71	2065		
THGBHV3.62/11	\$21,771.00	\$217.71	2201		
THGBHV5.50/9	\$22,707.00	\$227.07	2129		
THGBHV5.50/11	\$22,707.00	\$227.07	2264		
THGBHV7.25/9	\$23,331.00	\$233.31	2336		
THGBHV7.25/11	\$23,331.00	\$233.31	2471		
THGBV3.62/9	\$16,021.00	\$160.21	1696		
THGBV3.62/11	\$16,021.00	\$160.21	1832		
THGBV5.50/9	\$18,757.00	\$187.57	2035		
THGBV5.50/11	\$18,757.00	\$187.57	2171		
THGW3-3	\$35,901.00	\$359.01	3117		
THGW3-4	\$36,859.00	\$368.59	3170		
THGW4-3	\$36,115.00	\$361.15	3206		
THGW4-4	\$37,087.00	\$370.87	3259		
THGWW5.50/11	\$35,901.00	\$359.01	3001		
THGWW5.50/9	\$35,901.00	\$359.01	2866		
THGWW7.25/11	\$37,087.00	\$370.87	3302		
THGWW7.25/9	\$37,087.00	\$370.87	3167		

**Skewed Seat Charge:** Add \$13,622.00 to the list price per 100

**Dropped Bucket Option (THGBV and THGBHV only):** Add \$2,183.00 to the list price per 100

**THJM, FGTR, VGT GIRDER TIEDOWNS**

Model	List Price per 100	List Price per Each	Weight lbs/100	Carton Qty	Pallet Qty
<b>THJM MULTI TRUSS HANGER</b>					
THJM2-4-SDS3	\$13,192.00	\$131.92	225		
THJM2-5-SDS3	\$16,320.00	\$163.20			
FGTR	\$9,980.00	\$99.80	950	4	
FGTRE	\$9,980.00	\$99.80	950		
FGTRHL	\$9,980.00	\$99.80	950	4	
FGTRHR	\$9,980.00	\$99.80	950	4	
VGT	\$6,548.00	\$65.48	367	6	
VGTL	\$7,276.00	\$72.76	367	6	
VGTR	\$7,276.00	\$72.76	367	6	

**LGT, MGT, HGT GIRDER TIEDOWNS**

Model	List Price per 100	List Price per Each	Weight lbs/100	Carton Qty	Pallet Qty
<b>LGT LIGHT GIRDER TIEDOWN</b>					
LGT2	\$957.00	\$9.57	137	10	900
LGT3N-SDS2.5	\$3,735.00	\$37.35	415	8	
LGT3-SDS2.5	\$3,735.00	\$37.35	415	8	192
LGT4N-SDS3	\$6,542.00	\$65.42	570	6	
LGT4-SDS3	\$6,542.00	\$65.42	570	6	
<b>MGT MEDIUM GIRDER TIEDOWN</b>					
MGT	\$4,036.00	\$40.36	250	12	432
<b>HGT HEAVY GIRDER TIEDOWN</b>					
HGT-2	\$20,848.00	\$208.48	552	4	288
HGT-3	\$21,101.00	\$211.01	586	4	192
HGT-4	\$21,357.00	\$213.57	595	4	

**GBC GABLE BRACE CONNECTOR**

Model	List Price per 100	List Price per Each	Weight lbs/100	Carton Qty	Pallet Qty
GBC	\$581.00	\$5.81	35	25	3,000

**LTHJA, THJA, THJU TRUSS HIP/JACK HANGERS**

Model	List Price per 100	List Price per Each	Weight lbs/100	Carton Qty	Pallet Qty
LTHJA26	\$1,548.00	\$15.48	100	25	450
THJA26	\$4,296.00	\$42.96	142	25	450
THJU26	\$4,296.00	\$42.96	185	20	600
THJU26-W	\$8,644.00	\$86.44	220	10	

**Slope Seat Charge:** Add \$2,724 to the list price per 100. Set up charge applies.

**Slope & Skew Charge:** 46-67.5 add \$4,963.00 to the list price per 100. Set up charge applies.

**THJU26X Width Option (5 1/8" to 7 7/8"):** Add \$4,348 per 100 to the list price. Set up charge applies.

**THGQ, THGQH TRUSS HANGER GIRDERS**

Model	List Price per 100	List Price per Each	Weight lbs/100	Carton Qty	Pallet Qty
THGQ2-SDS3	\$14,431.00	\$144.31	895		
THGQ3-SDS4.5	\$16,351.00	\$163.51	953		
THGQH2-SDS3	\$17,656.00	\$176.56	1964		
THGQH3-SDS4.5	\$20,412.00	\$204.12	2097		
THGQH4-SDS6	\$22,859.00	\$228.59	2217		

**TJC TRUSS JACK CONNECTOR**

Model	List Price per 100	List Price per Each	Weight lbs/100	Carton Qty	Pallet Qty
TJC37	\$253.00	\$2.53	39	50	3,000

**TSB, TBD, AHEP TRUSS SPACER/BRACERS**

Model	List Price per 100	List Price per Each	Weight lbs/100	Carton Qty	Pallet Qty
AHEP	\$834.00	\$8.34	140	25	400
TSBR2-16	\$541.00	\$5.41	56	50	
TSBR2-24	\$551.00	\$5.51	84	50	600
TBD22	\$27,608.00	\$276.08	2100		

**TSF TRUSS SPACER/BRACERS (PLATED TRUSS PRODUCT)**

Model	List Price per 100	List Price per Each	Weight lbs/100	Carton Qty	Pallet Qty
TSF2-16	\$1,133.00	\$11.33	108	25	
TSF2-24	\$1,133.00	\$11.33	145	20	1,200

**VTCR VALLEY TRUSS CLIP (PLATED TRUSS PRODUCT)**

Model	List Price per 100	List Price per Each	Weight lbs/100	Carton Qty	Pallet Qty
VTCR	\$296.00	\$2.96	18	100	5,400

**MTHM, LTHMA TRUSS HANGERS MULTIPLE**

Model	List Price per 100	List Price per Each	Weight lbs/100	Carton Qty	Pallet Qty
-------	--------------------	---------------------	----------------	------------	------------

**MTHM MEDIUM TRUSS HANGERS MULTIPLE**

MTHM	\$11,108.00	\$111.08	327	10	
MTHM-2	\$12,489.00	\$124.89	413	5	

**LTHMA LIGHT TRUSS HANGERS MULTIPLE**

LTHMA	\$5,500.00	\$55.00	167	20	
-------	------------	---------	-----	----	--

**RFB RETROFIT BOLTS**

Model	List Price per 100	List Price per Each	Weight lbs/100	Carton Qty	Pallet Qty
RFB#4X4	\$382.00	\$3.82	30	25	
RFB#4X5	\$386.00	\$3.86	35	25	
RFB#4X6	\$397.00	\$3.97	40	25	
RFB#4X7	\$404.00	\$4.04	43	25	
RFB#4X10	\$495.00	\$4.95	43	25	
RFB#5X5	\$515.00	\$5.15	48	25	
RFB#5X8	\$665.00	\$6.65	70	25	
RFB#5X10	\$785.00	\$7.85	85	25	
RFB#5X16	\$1,355.00	\$13.55	127	25	
RFB#6X10.5	\$1,384.00	\$13.84	126	25	

**MTHM, LTHMA TRUSS HANGERS MULTIPLE: NOTE: The LTHMA can be field sloped to 45 degrees down.**

**MSCPT MULTIPLE SEAT CONNECTORS PLATED TRUSS:**

For modified widths, specify MSCPT2X.

“W” Notes: MSCPT2X: For W1 increased to 3 7/16", add \$4,484.00 to list price per 100 and 32 lbs. to Weight lbs/100 per 100.

**MSCPT2X:** For W2 increased to 3 7/16", add \$7,685.00 to list price per 100 and 58 lbs. to Weight lbs/100 per 100.

“H” Notes: For an increase in H1 and H2 for larger girder bottom chords, add to the list price per 100, for each half-inch (1/2") or fraction thereof:

**MSCPT2, MSCPT2-2:** Add \$83.00 per 1/2" or fraction thereof for H1 or H2 to list price per 100 and 50 lbs. to Weight lbs/100 per 100.

**MSCPT2N (H2):** Add \$163.00 per 1/2" or fraction thereof to list price per 100 and 50 lbs. to Weight lbs/100 per 100.

**MSCPT2-2N (H2):** Add \$163.00 per 1/2" or fraction thereof to list price per 100 and 50 lbs. to Weight lbs/100 per 100.

For modifications and configurations not specified, contact Simpson Strong-Tie for availability and pricing.

**MSCPT MULTIPLE SEAT CONNECTORS PLATED TRUSS**

Model	List Price per 100	List Price per Each	Weight lbs/100	Min H
MSCPT2	\$48,574.00	\$485.74	1750	5 1/4"
MSCPT2-2N	\$53,569.00	\$535.69	1930	5 1/4"
MSCPT2-2	\$60,841.00	\$608.41	2192	5 1/4"
MSCPT2N	\$43,908.00	\$439.08	1582	5 1/4"

**TP, TPA, LTP TIE PLATES, LATERAL TIE PLATES**

Model	List Price per 100	List Price per Each	Weight lbs/100	Carton Qty	Pallet Qty
<b>TIE PLATES</b>					
TP15	\$67.00	\$0.67	10	150	18,000
TP311	\$238.00	\$2.38	34	150	9,000
TP35	\$88.00	\$0.88	16	100	12,000
TP37	\$117.00	\$1.17	22	100	12,000
TP39	\$170.00	\$1.70	30	200	12,000
TP411	\$341.00	\$3.41	44	100	6,000
TP45	\$160.00	\$1.60	21	100	12,000
TP47	\$173.00	\$1.73	28	150	9,000
TP49	\$192.00	\$1.92	37	100	6,000
TP57	\$180.00	\$1.80	40	50	6,000
TPA37	\$408.00	\$4.08	30	100	6,000
TPA39	\$472.00	\$4.72	40	100	6,000
TPA57	\$598.00	\$5.98	40	100	6,000
<b>LATERAL TIE PLATES</b>					
LTP4	\$76.00	\$0.76	11	200	19,200
LTP5	\$136.00	\$1.36	19	100	9,600

**LTS, MTS, MTSC, MTSM, HTS, HTSC, HTSM, TS TWIST STRAPS (SOLD IN PIECES – NOT PAIRS)**

Model	List Price per 100	List Price per Each	Weight lbs/100	Carton Qty	Pallet Qty
<b>LTS LIGHT TWIST STRAPS</b>					
LTS12	\$160.00	\$1.60	21	100	3,600
LTS16	\$166.00	\$1.66	27	100	3,600
LTS18	\$173.00	\$1.73	31	100	3,600
LTS20	\$268.00	\$2.68	33	100	3,600

**LTS, MTS, MTSC, MTSM, HTS, HTSC, HTSM, TS TWIST STRAPS (SOLD IN PIECES – NOT PAIRS)**

Model	List Price per 100	List Price per Each	Weight lbs/100	Carton Qty	Pallet Qty
<b>MTS MEDIUM TWIST STRAPS</b>					
MTS12	\$180.00	\$1.80	25	100	5,400
MTS16	\$192.00	\$1.92	33	100	3,600
MTS18	\$220.00	\$2.20	38	100	3,600
MTS20	\$326.00	\$3.26	41	100	3,600
MTS30	\$408.00	\$4.08	60	50	900
<b>MTSC MEDIUM TWIST STRAPS CENTERED</b>					
MTS24C	\$355.00	\$3.55	48	50	900
MTS28C	\$408.00	\$4.08	56	50	900
MTS30C	\$408.00	\$4.08	60	50	900
<b>MTSM MEDIUM TWIST STRAPS MASONRY APPLICATION</b>					
MTSM16	\$192.00	\$1.92	33	100	3,600
MTSM20	\$326.00	\$3.26	41	100	3,600
<b>HTS HEAVY TWIST STRAPS</b>					
HTS16	\$235.00	\$2.35	41	50	1,800
HTS20	\$374.00	\$3.74	50	50	1,800
HTS24	\$375.00	\$3.75	59	50	900
HTS28	\$520.00	\$5.20	68	50	1,200
HTS30	\$481.00	\$4.81	73	50	900
<b>HTSC HEAVY TWIST STRAPS CENTERED</b>					
HTS30C	\$481.00	\$4.81	73	50	900
<b>HTSM HEAVY TWIST STRAPS MASONRY APPLICATION</b>					
HTSM16	\$235.00	\$2.35	41	50	1,800
HTSM20	\$374.00	\$3.74	50	50	1,800
<b>TS TWIST STRAPS</b>					
TS9	\$147.00	\$1.47	19	100	5,400
TS12	\$199.00	\$1.99	24	100	5,400
TS18	\$288.00	\$2.88	37	100	4,800
TS22	\$338.00	\$3.38	41	100	3,200

**HTT, LTT, LTTI TENSION TIES - EWP AND SOLID SAWN SIZES**

Model	List Price per 100	List Price per Each	Weight lbs/100	Carton Qty	Pallet Qty
HTT4	\$2,244.00	\$22.44	185	16	576
HTT5	\$3,400.00	\$34.00	217	10	400
LTT19	\$1,552.00	\$15.52	99	10	500
LTT20B	\$2,013.00	\$20.13	164	10	500
LTTI31	\$5,753.00	\$57.53	235		

**U HANGERS - EWP AND SOLID SAWN SIZES**

Model	List Price per 100	List Price per Each	Weight lbs/100	Carton Qty	Pallet Qty
U14	\$830.00	\$8.30	82	25	
U24	\$174.00	\$1.74	19	100	4,800
U26	\$199.00	\$1.99	37	100	3,600
U210	\$291.00	\$2.91	57	50	2,700
U214	\$487.00	\$4.87	73	50	1,800



**U HANGERS - EWP AND SOLID SAWN SIZES**

Model	List Price per 100	List Price per Each	Weight lbs/100	Carton Qty	Pallet Qty
U24-2	\$397.00	\$3.97	31	50	3,600
U26-2	\$479.00	\$4.79	44	50	1,800
U210-2	\$536.00	\$5.36	67	50	2,700
U26-3	\$1,117.00	\$11.17	45	25	1,800
U210-3	\$1,447.00	\$14.47	68	25	1,800
U34	\$306.00	\$3.06	32	50	3,000
U36	\$339.00	\$3.39	45	50	2,700
U310	\$563.00	\$5.63	67	50	1,800
U314	\$766.00	\$7.66	77	50	3,600
U3510/14	\$623.00	\$6.23	101	25	
U3516/20	\$781.00	\$7.81	82	50	2,000
U3510-2	\$1,393.00	\$13.93	125	25	
U3512-2	\$1,591.00	\$15.91	135	25	
U44	\$316.00	\$3.16	31	50	3,000
U46	\$350.00	\$3.50	44	50	2,700
U410	\$575.00	\$5.75	67	50	2,400
U414	\$846.00	\$8.46	78	50	1,800
U66	\$1,009.00	\$10.09	73	25	
U610	\$1,287.00	\$12.87	112	25	
<b>ROUGH LUMBER SIZES</b>					
U24R	\$279.00	\$2.79	32	50	2,700
U26R	\$375.00	\$3.75	44	50	3,600
U210R	\$431.00	\$4.31	67	50	2,400
U44R	\$635.00	\$6.35	31	50	3,600
U46R	\$646.00	\$6.46	45	50	2,700
U410R	\$842.00	\$8.42	67	50	1,800
U66R	\$1,648.00	\$16.48	75	25	
U610R	\$1,769.00	\$17.69	112	25	

**U HANGERS \*\*SEE PAGES 40-42 FOR HU HANGERS\*\* — EWP AND SOLID SAWN SIZES:**

**Skewed Charge:** Add \$2,239.00 to list price per 100. Set-up charge applies.

**Slope Seat Charge:** Add \$2,724.00 to list price per 100. Set-up charge applies.

**Slope & Skew Combined Charge:** Add \$4,963.00 to list price per 100. Set-up charge applies.

**Set-Up Charge:** Where set-up charge applies, add a single \$25.00 net set-up charge for any and all modification(s), including any combination of modifications.

**U hangers may be skewed to a maximum of 67 ½ degrees.**

**See catalog for skew and slope limitations. For skew and slope conditions beyond limitations,**

**Contact Simpson Strong-Tie for availability and pricing.**

**UFP UNIVERSAL FOUNDATION PLATES**

Model	List Price per 100	List Price per Each	Weight lbs/100	Carton Qty	Pallet Qty
UFP10-SDS3	\$2,080.00	\$20.80	229	10	450

**VB KNEE BRACES**

Model	List Price per 100	List Price per Each	Weight lbs/100	Carton Qty	Pallet Qty
VB5	\$5,989.00	\$59.89	410		
VB7	\$6,873.00	\$68.73	550		
VB8	\$7,377.00	\$73.77	620		
VB10	\$7,694.00	\$76.94	760		250
VB12	\$8,489.00	\$84.89	910		

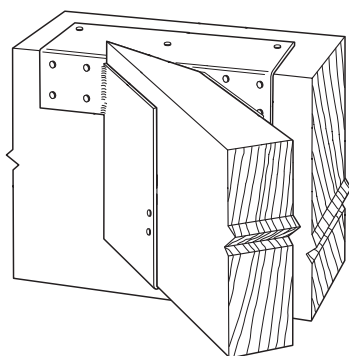
N54A fasteners are included with VB Knee Braces

**VPA VARIABLE PITCH CONNECTORS - EWP AND SOLID SAWN SIZES**

Model	List Price per 100	List Price per Each	Weight lbs/100	Carton Qty	Pallet Qty
VPA2	\$608.00	\$6.08	41	25	1,200
VPA2.06	\$702.00	\$7.02	54	25	
VPA2.1	\$702.00	\$7.02	54	25	
VPA25	\$646.00	\$6.46	43	25	1,350
VPA3	\$691.00	\$6.91	46	25	1,200
VPA35	\$724.00	\$7.24	51	25	1,200
VPA4	\$798.00	\$7.98	61	25	1,200

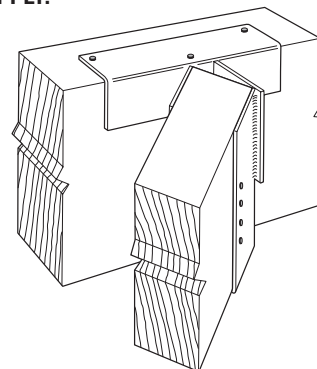
**W, WI, WM, WMU, WNPU, WP, WPU, HW, HWI, HWU HANGERS (TOP FLANGE) – EWP AND SOLID SAWN SIZES**

**TYPE A**



**FOR “W” SERIES: SET-UP CHARGE AND OTHER CHARGES APPLY.**

**TYPE B**



Skewed “W” hangers may be provided in two different configurations.

Consult Catalog or Simpson factory for more information.

**ADDITIONAL NOTES AND CHARGES**

**CHARGES FOR MODIFICATIONS — SET-UP CHARGE APPLIES (see “set-up” note below):**

**Skew:** Add: \$3,241.00 to list price per 100.

**Offset Top Flange:** Add \$473.00 to list price per 100.

**Sloped Seat:** Add \$3,241.00 to list price per 100.

**Sloped Top Flange:** Add \$2,045.00 to list price per 100.

**Ridge Hangers:** Add \$2,181.00 to list price per 100.

**Open/Closed Top Flange:** Add \$1,141.00 to list price per 100.

**\*HW not available with closed top flange.**

**ROUGH WIDTH / HEIGHT:** Pricing same as for comparable nominal size hanger. **Set-up charge applies.**

**GREATER “B” DIMENSION:** Add \$427.00 to list price per 100 for each additional inch or fraction thereof.

Maximum “B” = 5”. **Set-up charge applies.**

When ordering skewed and sloped or sloped top flange hangers, you must specify whether the “H” dimension is measured from the high side, center, or low side.

See catalog for skew and slope limitations. For skew and slope conditions exceeding limits, contact Simpson for availability and pricing.

**SADDLE-TYPE HANGER:** WD & WNPD: 2 X largest size single price + \$529.00 per 100. Set-up charge applies.

**HWD:** 2 X largest size single price + \$1,013.00 per 100. Set-up charge applies.

**WM MASONRY HANGER:** Add \$801.00 per 100 to standard “W” hanger list price for special top flange allowing for direct attachment to masonry walls. Set-up charge applies.

**WMU, WNPU, WPU, HWU OPTIONAL UPLIFT DESIGN:** Add \$282.00 per 100 to standard “WP”, “WNP” or “WM” list price and \$577.00 per 100 to standard “HW” hanger list price for special design adding uplift load. Set-up charge applies.

**SET-UP CHARGE:** Where set-up charge applies, add a single \$25.00 net set-up charge for any and all modification(s), including any combination of modifications, and all Glulam sizes.

**W, WNP, WM, HW HANGERS (TOP FLANGE) - SOLID SAWN SIZES**

Model	List Price per 100	List Price per Each	Weight lbs/100	Carton Qty	Pallet Qty
W26	\$2,128.00	\$21.28	166		
W28	\$2,310.00	\$23.10	192		
W210	\$2,492.00	\$24.92	220		
W212	\$2,674.00	\$26.74	245		
W214	\$2,856.00	\$28.56	279		
W216	\$3,038.00	\$30.38	309		
W34	\$1,956.00	\$19.56	145		
W36	\$2,138.00	\$21.38	173		
W38	\$2,320.00	\$23.20	199		
W310	\$2,502.00	\$25.02	229		
W44	\$1,965.00	\$19.65	152		
W46	\$2,147.00	\$21.47	188		
W48	\$2,330.00	\$23.30	207		
W410	\$2,512.00	\$25.12	237		
WNP26-2	\$2,320.00	\$23.20	249		
WNP28-2	\$2,502.00	\$25.02	275		
WNP210-2	\$2,684.00	\$26.84	305		
WNP212-2	\$2,866.00	\$28.66	333		
WNP214-2	\$3,048.00	\$30.48	362		
WNP216-2	\$3,230.00	\$32.30	392		
WNP312	\$2,866.00	\$28.66	365		
WNP314	\$3,048.00	\$30.48	401		
WNP316	\$3,230.00	\$32.30	436		
WNP412	\$2,976.00	\$29.76	374		
WNP414	\$3,158.00	\$31.58	410		
WNP416	\$3,340.00	\$33.40	395		
WNP66	\$2,502.00	\$25.02	312		
WNP68	\$2,684.00	\$26.84	338		
WNP610	\$2,866.00	\$28.66	368		
HW46	\$4,246.00	\$42.46	447		
HW48	\$4,560.00	\$45.60	480		
HW410	\$4,874.00	\$48.74	506		
HW412	\$5,188.00	\$51.88	542		
HW414	\$5,502.00	\$55.02	562		
HW416	\$5,816.00	\$58.16	664		
HW66	\$4,298.00	\$42.98	457		
HW68	\$4,612.00	\$46.12	490		
HW610	\$4,926.00	\$49.26	530		
HW612	\$5,240.00	\$52.40	563		
HW614	\$5,554.00	\$55.54	587		
HW616	\$5,868.00	\$58.68	635		
HW86	\$4,663.00	\$46.63	478		
HW88	\$4,978.00	\$49.78	604		
HW810	\$5,292.00	\$52.92	652		
HW812	\$5,606.00	\$56.06	700		
HW814	\$5,920.00	\$59.20	754		
HW816	\$6,234.00	\$62.34	805		

**W, WI, WP, WPI, WPU, HW, HWI, HWU HANGERS (TOP FLANGE) - EWP SIZES**

Model	List Price per 100	List Price per Each	Weight lbs/100	Carton Qty	Pallet Qty
W29.25	\$2,492.00	\$24.92	246		
W29.5	\$2,492.00	\$24.92	252		
W2.68/14	\$2,866.00	\$28.66	277		
W2.68/16	\$3,048.00	\$30.48	298		
W211.25	\$2,674.00	\$26.74	277		
W211.88	\$2,674.00	\$26.74	286		
WP29.25	\$2,621.00	\$26.21	347		
WP29.5	\$2,621.00	\$26.21	352		
WP211.25	\$2,803.00	\$28.03	386		
WP211.88	\$2,803.00	\$28.03	395		
W9	\$2,492.00	\$24.92	265		
W11	\$2,674.00	\$26.74	227	25	
W14	\$2,856.00	\$28.56	287		
W16	\$3,038.00	\$30.38	299		
WP1.81/7.25	\$2,439.00	\$24.39	339		
WP9	\$2,621.00	\$26.21	265		
WP9.25	\$2,621.00	\$26.21	349		
WP11	\$2,803.00	\$28.03	397		
WP11.25	\$2,803.00	\$28.03	386		
WP12	\$2,803.00	\$28.03	397		
WP14	\$2,985.00	\$29.85	440		
WP16	\$3,167.00	\$31.67	468		
W3510	\$2,502.00	\$25.02	227	18	540
W3511.88	\$2,684.00	\$26.84	251		
W3512	\$2,684.00	\$26.84	251	16	480
W3514	\$2,866.00	\$28.66	275	14	420
W3516	\$3,048.00	\$30.48	300	12	360
W3518	\$3,230.00	\$32.30	325		
W3520	\$3,412.00	\$34.12	349		
W3522	\$3,594.00	\$35.94	422		
W3524	\$3,776.00	\$37.76	450		
WP3514	\$3,048.00	\$30.48	373		
WP3516	\$3,230.00	\$32.30	403		
WP3518	\$3,412.00	\$34.12	433		
WP3520	\$3,594.00	\$35.94	463		
WP3522	\$3,776.00	\$37.76	491		
WP3524	\$3,958.00	\$39.58	520		
WP3526	\$4,140.00	\$41.40	548		
WP3528	\$4,322.00	\$43.22	577		
WP3530	\$4,504.00	\$45.04	605		
HW3524	\$6,881.00	\$68.81	854		
HW3526	\$7,195.00	\$71.95	887		
HW3528	\$7,509.00	\$75.09	920		
HW3530	\$7,823.00	\$78.23	953		

**W, WI, WP, WPI, WPU, HW, HWI, HWU HANGERS (TOP FLANGE) - EWP SIZES**

Model	List Price per 100	List Price per Each	Weight lbs/100	Carton Qty	Pallet Qty
WI39.25	\$2,502.00	\$25.02	221		
WI39.5	\$2,502.00	\$25.02	223		
WI310	\$2,502.00	\$25.02	229		
WI311.25	\$2,684.00	\$26.84	245		
WI311.5	\$2,684.00	\$26.84	247		
WI311.88	\$2,684.00	\$26.84	250		
WI312	\$2,684.00	\$26.84	253		
WI314	\$2,866.00	\$28.66	278		
WI316	\$3,048.00	\$30.48	302		
WI318	\$3,230.00	\$32.30	326		
WI320	\$3,412.00	\$34.12	351		
WI322	\$3,594.00	\$35.94	375		
WI324	\$3,776.00	\$37.76	399		
WI326	\$3,958.00	\$39.58	419		
WI328	\$4,140.00	\$41.40	400		
WI330	\$4,322.00	\$43.22	420		
WPI310	\$2,684.00	\$26.84	335		
WPI311.88	\$2,866.00	\$28.66	360		
WPI312	\$2,866.00	\$28.66	365		
WPI314	\$3,048.00	\$30.48	395		
WPI316	\$3,230.00	\$32.30	426		
WPI318	\$3,412.00	\$34.12	456		
WPI320	\$3,594.00	\$35.94	486		
WPI322	\$3,776.00	\$37.76	517		
WPI324	\$3,958.00	\$39.58	547		
WPI326	\$4,140.00	\$41.40	577		
WPI328	\$4,322.00	\$43.22	580		
WPI330	\$4,504.00	\$45.04	610		
HWI310	\$4,683.00	\$46.83	570		
HWI312	\$4,997.00	\$49.97	606		
HWI314	\$5,311.00	\$53.11	642		
HWI316	\$5,625.00	\$56.25	682		
HWI318	\$5,939.00	\$59.39	705		
HWI320	\$6,253.00	\$62.53	754		
HWI322	\$6,567.00	\$65.67	795		
HWI324	\$6,881.00	\$68.81	870		
HWI326	\$7,195.00	\$71.95	895		
HWI328	\$7,509.00	\$75.09	1170		
HWI330	\$7,823.00	\$78.23	1230		
WP2.75/11.25	\$2,866.00	\$28.66	350		
WP2.75/11.88	\$2,866.00	\$28.66	350		
WP2.75/12	\$2,866.00	\$28.66	365		
WP2.75/14	\$3,048.00	\$30.48	397		
WP2.75/16	\$3,230.00	\$32.30	428		
WP2.75/9.25	\$2,684.00	\$26.84	320		
WP2.75/9.5	\$2,684.00	\$26.84	325		

**W, WI, WP, WPI, WPU, HW, HWI, HWU HANGERS (TOP FLANGE) - EWP SIZES**

Model	List Price per 100	List Price per Each	Weight lbs/100	Carton Qty	Pallet Qty
HW2.75/9.25	\$4,683.00	\$46.83	545		
HW2.75/9.5	\$4,683.00	\$46.83	550		
HW2.75/11.25	\$4,997.00	\$49.97	590		
HW2.75/11.88	\$4,997.00	\$49.97	600		
HW2.75/12	\$4,997.00	\$49.97	600		
HW2.75/14	\$5,311.00	\$53.11	644		
HW2.75/16	\$5,625.00	\$56.25	684		
WP29.25-2	\$2,684.00	\$26.84	295		
WP29.5-2	\$2,684.00	\$26.84	299		
WP211.25-2	\$2,866.00	\$28.66	320		
WP211.88-2	\$2,866.00	\$28.66	328		
HW29.25-2	\$4,683.00	\$46.83	546		
HW29.5-2	\$4,683.00	\$46.83	557		
HW211.25-2	\$4,997.00	\$49.97	573		
HW211.88-2	\$4,997.00	\$49.97	592		
W3.31/9.25	\$2,511.00	\$25.11	226		
W3.31/12	\$2,693.00	\$26.93	259		
W3.31/14	\$2,875.00	\$28.75	284		
WP3.31/9.25	\$2,794.00	\$27.94	297		
WP3.31/11.25	\$2,976.00	\$29.76	321		
WP3.31/12	\$2,976.00	\$29.76	330		
WP3.31/14	\$3,158.00	\$31.58	355		
W7-2	\$2,329.00	\$23.29	240		
W9-2	\$2,511.00	\$25.11	263		
W3.56/7.25	\$2,329.00	\$23.29	240		
W3.56/9.5	\$2,511.00	\$25.11	263		
W3.56/11.88	\$2,693.00	\$26.93	299		
WI49.25	\$2,511.00	\$25.11	226		
WI49.5	\$2,511.00	\$25.11	229		
WI410	\$2,511.00	\$25.11	235		
WI411.25	\$2,693.00	\$26.93	250		
WI411.5	\$2,693.00	\$26.93	253		
WI412	\$2,693.00	\$26.93	259		
WI414	\$2,875.00	\$28.75	284		
WI416	\$3,057.00	\$30.57	308		
WI418	\$3,239.00	\$32.39	332		
WI420	\$3,421.00	\$34.21	357		
WI422	\$3,603.00	\$36.03	381		
WI424	\$3,785.00	\$37.85	405		
WI426	\$3,967.00	\$39.67	428		
WI428	\$4,149.00	\$41.49	452		
WI430	\$4,331.00	\$43.31	476		

**W, WI, WP, WPI, WPU, HW, HWI, HWU HANGERS (TOP FLANGE) - EWP SIZES**

Model	List Price per 100	List Price per Each	Weight lbs/100	Carton Qty	Pallet Qty
WP3.56/4.38	\$2,430.00	\$24.30	330		
WP3.56/5.5	\$2,430.00	\$24.30	330		
WPI49.25	\$2,794.00	\$27.94	330		
WPI49.5	\$2,794.00	\$27.94	334		
WPI410	\$2,794.00	\$27.94	340		
WPI411.88	\$2,976.00	\$29.76	352	10	
WPI412	\$2,976.00	\$29.76	373		
WPI414	\$3,158.00	\$31.58	404		
WPI416	\$3,340.00	\$33.40	433		
WPI418	\$3,522.00	\$35.22	463		
WPI420	\$3,704.00	\$37.04	495		
WPI422	\$3,886.00	\$38.86	596		
WPI424	\$4,068.00	\$40.68	632		
WPI426	\$4,250.00	\$42.50	654		
WPI428	\$4,432.00	\$44.32	670		
WPI430	\$4,614.00	\$46.14	706		
WPI432	\$4,796.00	\$47.96	780		
HWI49.25	\$4,874.00	\$48.74	558		
HWI49.5	\$4,874.00	\$48.74	560		
HWI410	\$4,874.00	\$48.74	649		
HWI411.25	\$5,188.00	\$51.88	586		
HWI411.88	\$5,188.00	\$51.88	586		
HWI412	\$5,188.00	\$51.88	683		
HWI414	\$5,502.00	\$55.02	717		
HWI416	\$5,816.00	\$58.16	752		
HWI418	\$6,130.00	\$61.30	786		
HWI420	\$6,444.00	\$64.44	820		
HWI422	\$6,758.00	\$67.58	855		
HWI424	\$7,072.00	\$70.72	896		
HWI426	\$7,386.00	\$73.86	935		
HWI428	\$7,700.00	\$77.00	975		
HWI430	\$8,014.00	\$80.14	1015		
HWI432	\$8,328.00	\$83.28	1102		
WP359.25-2	\$2,866.00	\$28.66	325		
WP359.5-2	\$2,866.00	\$28.66	307		
WP3510-2	\$2,866.00	\$28.66	307		
WP3511.25-2	\$3,048.00	\$30.48	328		
WP3511.88-2	\$3,048.00	\$30.48	328		
WP3512-2	\$3,048.00	\$30.48	329		
WP3514-2	\$3,230.00	\$32.30	351	10	
WP3516-2	\$3,412.00	\$34.12	373	10	
WP3518-2	\$3,594.00	\$35.94	395		
WP3520-2	\$3,776.00	\$37.76	420		
WP3522-2	\$3,958.00	\$39.58	509		
WP3524-2	\$4,140.00	\$41.40	537		
WP3526-2	\$4,322.00	\$43.22	566		
WP3528-2	\$4,504.00	\$45.04	594		
WP3530-2	\$4,686.00	\$46.86	623		

**W, WI, WP, WPI, WPU, HW, HWI, HWU HANGERS (TOP FLANGE) - EWP SIZES**

Model	List Price per 100	List Price per Each	Weight lbs/100	Carton Qty	Pallet Qty
HW3512-2	\$5,239.00	\$52.39	676		
HW3514-2	\$5,553.00	\$55.53	709		
HW3516-2	\$5,867.00	\$58.67	742		
HW3518-2	\$6,181.00	\$61.81	775		
HW3520-2	\$6,495.00	\$64.95	808		
HW3522-2	\$6,809.00	\$68.09	841		
HW3524-2	\$7,123.00	\$71.23	874		
HW3526-2	\$7,437.00	\$74.37	907		
HW3528-2	\$7,751.00	\$77.51	940		
HW3530-2	\$8,065.00	\$80.65	973		
WPI39.5-2	\$2,866.00	\$28.66	385		
WPI310-2	\$2,866.00	\$28.66	392		
WPI311.5-2	\$3,048.00	\$30.48	416		
WPI311.88-2	\$3,048.00	\$30.48	420		
WPI312-2	\$3,048.00	\$30.48	424		
WPI314-2	\$3,230.00	\$32.30	456		
WPI316-2	\$3,412.00	\$34.12	488	10	
WPI318-2	\$3,594.00	\$35.94	520		
WPI320-2	\$3,776.00	\$37.76	552		
WPI322-2	\$3,958.00	\$39.58	584		
WPI324-2	\$4,140.00	\$41.40	616		
WPI326-2	\$4,322.00	\$43.22	648		
HWI310-2	\$4,925.00	\$49.25	590		
HWI312-2	\$5,239.00	\$52.39	624		
HWI314-2	\$5,553.00	\$55.53	659		
HWI316-2	\$5,867.00	\$58.67	694		
HWI318-2	\$6,181.00	\$61.81	729		
HWI320-2	\$6,495.00	\$64.95	763		
HWI322-2	\$6,809.00	\$68.09	798		
HWI324-2	\$7,123.00	\$71.23	833		
HWI326-2	\$7,437.00	\$74.37	868		
WP5.31/9.25	\$2,866.00	\$28.66	309		
WP5.31/11.25	\$3,048.00	\$30.48	333		
WP5.31/12	\$3,048.00	\$30.48	342		
WP5.31/14	\$3,230.00	\$32.30	366		
WP5.31/16	\$3,412.00	\$34.12	391		
WP5.31/18	\$3,594.00	\$35.94	415		
WP5.31/20	\$3,776.00	\$37.76	439		
WP5.50/7.25	\$2,684.00	\$26.84	250		
WP5.50/9.5	\$2,866.00	\$28.66	280		
WP5.50/10	\$2,866.00	\$28.66	272		
WP5.50/11.88	\$3,048.00	\$30.48	297		
WP5.50/12	\$3,048.00	\$30.48	300		
WP5.50/14	\$3,230.00	\$32.30	325		
WP5.50/16	\$3,412.00	\$34.12	341		
WP5.50/18	\$3,594.00	\$35.94	358		
WP5.50/20	\$3,776.00	\$37.76	379		



**W, WI, WP, WPI, WPU, HW, HWI, HWU HANGERS (TOP FLANGE) - EWP SIZES**

Model	List Price per 100	List Price per Each	Weight lbs/100	Carton Qty	Pallet Qty
HW5.50/18	\$6,181.00	\$61.81	782		
HW5.50/20	\$6,495.00	\$64.95	816		
WPI49.25-2	\$3,771.00	\$37.71	363		
WPI49.5-2	\$3,771.00	\$37.71	366		
WPI410-2	\$3,771.00	\$37.71	372		
WPI411.25	\$2,976.00	\$29.76	350		
WPI411.25-2	\$3,953.00	\$39.53	386		
WPI411.5-2	\$3,953.00	\$39.53	390		
WPI411.88-2	\$3,953.00	\$39.53	395		
WPI412-2	\$3,953.00	\$39.53	396		
WPI414.25-2	\$4,317.00	\$43.17	380		
WPI414-2	\$4,135.00	\$41.35	471		
WPI415.75-2	\$4,317.00	\$43.17	410		
WPI416-2	\$4,317.00	\$43.17	500		
WPI418-2	\$4,499.00	\$44.99	530		
WPI420-2	\$4,681.00	\$46.81	559		
WPI422-2	\$4,863.00	\$48.63	589		
WPI424-2	\$5,045.00	\$50.45	618		
WPI426-2	\$5,227.00	\$52.27	647		
WPI428-2	\$5,409.00	\$54.09	750		
WPI430-2	\$5,591.00	\$55.91	780		
HWI49.25-2	\$5,291.00	\$52.91	539		
HWI49.5-2	\$5,291.00	\$52.91	540		
HWI410-2	\$5,291.00	\$52.91	658		
HWI411.25-2	\$5,605.00	\$56.05	550		
HWI411.88-2	\$5,605.00	\$56.05	569		
HWI412-2	\$5,605.00	\$56.05	658		
HWI414-2	\$5,919.00	\$59.19	693		
HWI416-2	\$6,233.00	\$62.33	728		
HWI418-2	\$6,547.00	\$65.47	746		
HWI420-2	\$6,861.00	\$68.61	781		
HWI422-2	\$7,175.00	\$71.75	904		
HWI424-2	\$7,489.00	\$74.89	935		
HWI426-2	\$7,803.00	\$78.03	970		
HWI428-2	\$8,117.00	\$81.17	1055		
HWI430-2	\$8,431.00	\$84.31	1097		
HWI432-2	\$8,745.00	\$87.45	1139		
<b>WELDED UPLIFT HANGERS</b>					
WPU1.81/11.25	\$3,085.00	\$30.85	443		
WPU1.81/11.5	\$3,085.00	\$30.85	456		
WPU1.81/11.88	\$3,085.00	\$30.85	457		
WPU1.81/12	\$3,085.00	\$30.85	459		
WPU1.81/14	\$3,267.00	\$32.67	503		
WPU1.81/7.25	\$2,721.00	\$27.21	356		
WPU1.81/9.25	\$2,903.00	\$29.03	399		
WPU1.81/9.5	\$2,903.00	\$29.03	405		

**W, WI, WP, WPI, WPU, HW, HWI, HWU HANGERS (TOP FLANGE) - EWP SIZES**

Model	List Price per 100	List Price per Each	Weight lbs/100	Carton Qty	Pallet Qty
WPU2.56/10	\$2,966.00	\$29.66	363		
WPU2.56/11.88	\$3,148.00	\$31.48	393		
WPU2.56/14	\$3,330.00	\$33.30	428		
WPU2.56/16	\$3,512.00	\$35.12	460		
WPU2.56/18	\$3,694.00	\$36.94	493		
WPU2.56/20	\$3,876.00	\$38.76	526		
WPU2.56/22	\$4,058.00	\$40.58	558		
WPU2.56/24	\$4,240.00	\$42.40	591		
WPU2.56/26	\$4,422.00	\$44.22	624		
HWU2.56/10	\$5,260.00	\$52.60	560		
HWU2.56/12	\$5,574.00	\$55.74	683		
HWU2.56/14	\$5,888.00	\$58.88	717		
HWU2.56/16	\$6,202.00	\$62.02	752		
HWU2.56/18	\$6,516.00	\$65.16	786		
HWU2.56/20	\$6,830.00	\$68.30	820		
HWU2.75/11.25	\$5,574.00	\$55.74	590		
HWU2.75/11.88	\$5,574.00	\$55.74	600		
HWU2.75/12	\$5,574.00	\$55.74	600		
HWU2.75/14	\$5,888.00	\$58.88	644		
HWU2.75/16	\$6,202.00	\$62.02	684		
HWU2.75/9.25	\$5,260.00	\$52.60	545		
HWU2.75/9.5	\$5,260.00	\$52.60	550		
WPU2.75/11.25	\$3,148.00	\$31.48	385		
WPU2.75/11.88	\$3,148.00	\$31.48	395		
WPU2.75/12	\$3,148.00	\$31.48	397		
WPU2.75/14	\$3,330.00	\$33.30	429		
WPU2.75/16	\$3,512.00	\$35.12	462		
WPU2.75/9.25	\$2,966.00	\$29.66	352		
WPU2.75/9.5	\$2,966.00	\$29.66	356		
WPU3514	\$3,330.00	\$33.30	508		
WPU3516	\$3,512.00	\$35.12	552		
WPU3.31/11.25	\$3,258.00	\$32.58	389		
WPU3.31/12	\$3,258.00	\$32.58	401		
WPU3.31/14	\$3,440.00	\$34.40	434		
WPU3.56/10	\$3,076.00	\$30.76	371		
WPU3.56/11.25	\$3,258.00	\$32.58	391		
WPU3.56/11.88	\$3,258.00	\$32.58	401		
WPU3.56/12	\$3,258.00	\$32.58	403		
WPU3.56/14	\$3,440.00	\$34.40	436		
WPU3.56/16	\$3,622.00	\$36.22	469		
WPU3.56/18	\$3,804.00	\$38.04	501		
WPU3.56/20	\$3,986.00	\$39.86	534		
WPU3.56/22	\$4,168.00	\$41.68	567		
WPU3.56/24	\$4,350.00	\$43.50	599		
WPU3.56/26	\$4,532.00	\$45.32	632		
WPU3.56/28	\$4,714.00	\$47.14	664		
WPU3.56/32	\$5,078.00	\$50.78	766		

**W, WI, WP, WPI, WPU, HW, HWI, HWU HANGERS (TOP FLANGE) - EWP SIZES**

Model	List Price per 100	List Price per Each	Weight lbs/100	Carton Qty	Pallet Qty
WPU3.56/7.25	\$2,894.00	\$28.94	317		
WPU3.56/9.25	\$3,076.00	\$30.76	359		
WPU3.56/9.5	\$3,076.00	\$30.76	363		
HWU3.56/9.25	\$5,451.00	\$54.51	558		
HWU3.56/9.5	\$5,451.00	\$54.51	560	5	
HWU3.56/11.25	\$5,765.00	\$57.65	586		
HWU3.56/11.88	\$5,765.00	\$57.65	596	5	
HWU3.56/12	\$5,765.00	\$57.65	683		
HWU3.56/14	\$6,079.00	\$60.79	717	5	
HWU3.56/16	\$6,393.00	\$63.93	752	5	
HWU3.56/18	\$6,707.00	\$67.07	786		
HWU3.56/19	\$7,021.00	\$70.21	800		
HWU3.56/20	\$7,021.00	\$70.21	820		
HWU3.56/22	\$7,335.00	\$73.35	905		
HWU3.56/24	\$7,649.00	\$76.49	955		
HWU3.56/26	\$7,963.00	\$79.63	1004		
HWU3.56/28	\$8,277.00	\$82.77	1054		
HWU3.56/30	\$8,591.00	\$85.91	1103		
HWU3.56/32	\$8,905.00	\$89.05	1152		
HWU3.56/8.63	\$5,451.00	\$54.51	558		
WPU3511.88-2	\$3,330.00	\$33.30	411		
WPU3514-2	\$3,512.00	\$35.12	446	6	60
WPU3516-2	\$3,694.00	\$36.94	478	6	60
WPU3520-2	\$4,058.00	\$40.58	544		
WPU5.31/11.25	\$3,330.00	\$33.30	405		
WPU5.31/12	\$3,330.00	\$33.30	418		
WPU5.31/14	\$3,512.00	\$35.12	450		
WPU5.31/16	\$3,694.00	\$36.94	483		
WPU5.31/20	\$4,058.00	\$40.58	548		
WPU5.50/7.25	\$2,966.00	\$29.66	342		
WPU5.62/7.25	\$2,966.00	\$29.66	343		
HWU5.50/9.25	\$5,502.00	\$55.02	530	8	
HWU5.50/9.5	\$5,502.00	\$55.02	530		
HWU5.50/11.25	\$5,816.00	\$58.16	547	5	
HWU5.50/11.88	\$5,816.00	\$58.16	547	6	
HWU5.50/12	\$5,816.00	\$58.16	547		
HWU5.50/14	\$6,130.00	\$61.30	611		
HWU5.50/16	\$6,444.00	\$64.44	697		
HWU5.50/18	\$6,758.00	\$67.58	782	4	
HWU5.50/20	\$7,072.00	\$70.72	816		

**W, WI, WP, WPI, WPU, HW, HWI, HWU HANGERS (TOP FLANGE) - EWP SIZES**

Model	List Price per 100	List Price per Each	Weight lbs/100	Carton Qty	Pallet Qty
HWU7.12/7.25	\$5,554.00	\$55.54	700		
HWU7.12/9.25	\$5,868.00	\$58.68	775		
HWU7.12/9.5	\$5,868.00	\$58.68	800		
HWU7.12/11.25	\$6,182.00	\$61.82	950		
HWU7.12/11.88	\$6,182.00	\$61.82	960		
HWU7.12/12	\$6,182.00	\$61.82	975		
HWU7.12/14	\$6,496.00	\$64.96	1000		
HWU7.12/16	\$6,810.00	\$68.10	1100		
HWU7.12/18	\$7,124.00	\$71.24	1200		
HWU7.12/20	\$7,438.00	\$74.38	1300		

**WM, WMI HANGERS (TOP FLANGE) FOR MASONRY ONLY - EWP SIZES**

Model	List Price per 100	List Price per Each	Weight lbs/100	Carton Qty	Pallet Qty
WM9	\$3,293.00	\$32.93	280	18	540
WM11	\$3,475.00	\$34.75	310	16	480
WM14	\$3,657.00	\$36.57	322		
WM16	\$3,839.00	\$38.39	341		
WM29.25	\$3,293.00	\$32.93	260		
WM29.5	\$3,293.00	\$32.93	266		
WM1.68/12	\$3,475.00	\$34.75	312		
WM3510	\$3,303.00	\$33.03	300		
WM3511.88	\$3,485.00	\$34.85	310		
WM3512	\$3,485.00	\$34.85	320		
WM3514	\$3,667.00	\$36.67	340		
WM3516	\$3,849.00	\$38.49	370		
WM3518	\$4,031.00	\$40.31	390		
WM3520	\$4,213.00	\$42.13	412		
WMI312	\$3,485.00	\$34.85	320		
WMI314	\$3,667.00	\$36.67	320		
WMI316	\$3,849.00	\$38.49	320		
WMI318	\$4,031.00	\$40.31	320		
WMI320	\$4,213.00	\$42.13	320		
WM2.68/9.25	\$3,303.00	\$33.03	303		
WM2.68/11.25	\$3,485.00	\$34.85	317		
WM2.68/11.88	\$3,485.00	\$34.85	320		
WM2.68/12	\$3,485.00	\$34.85	320		
WM2.68/14	\$3,667.00	\$36.67	340		
WM2.68/16	\$3,849.00	\$38.49	370		
WM2.68/18	\$4,031.00	\$40.31	390		
WM2.68/20	\$4,213.00	\$42.13	412		

**WM, WMI HANGERS (TOP FLANGE) FOR MASONRY ONLY - EWP SIZES**

Model	List Price per 100	List Price per Each	Weight lbs/100	Carton Qty	Pallet Qty
WM2.75/9.25	\$3,303.00	\$33.03	265		
WM2.75/9.5	\$3,303.00	\$33.03	270		
WM2.75/11.25	\$3,485.00	\$34.85	289		
WM2.75/11.88	\$3,485.00	\$34.85	320		
WM2.75/12	\$3,485.00	\$34.85	320		
WM2.75/14	\$3,667.00	\$36.67	340		
WM2.75/16	\$3,849.00	\$38.49	370		
WM311.88	\$3,485.00	\$34.85	320		
WM29.25-2	\$3,303.00	\$33.03	270		
WM29.5-2	\$3,303.00	\$33.03	275		
WM3.56/9.5	\$3,312.00	\$33.12	325		
WM3.56/11.88	\$3,494.00	\$34.94	360		
WM411.25	\$3,494.00	\$34.94	290		
WM411.88	\$3,494.00	\$34.94	290		
WMI412	\$3,494.00	\$34.94	330		
WMI414	\$3,676.00	\$36.76	344		
WMI416	\$3,858.00	\$38.58	370		
WMI418	\$4,040.00	\$40.40	395		
WMI420	\$4,222.00	\$42.22	420		
WM3510-2	\$3,606.00	\$36.06	313		
WM3511.88-2	\$3,788.00	\$37.88	335		
WM3512-2	\$3,788.00	\$37.88	336		
WM3514-2	\$3,970.00	\$39.70	349		
WM3516-2	\$4,152.00	\$41.52	375		
WM3518-2	\$4,334.00	\$43.34	400		
WM3520-2	\$4,516.00	\$45.16	425		
WM5.31/11.25	\$3,788.00	\$37.88	307		
WM5.31/12	\$3,788.00	\$37.88	316		
WM5.31/14	\$3,970.00	\$39.70	340		
WM5.31/16	\$4,152.00	\$41.52	385		
WM5.31/18	\$4,334.00	\$43.34	389		
WM5.31/20	\$4,516.00	\$45.16	413		
WM5.31/9.25	\$3,606.00	\$36.06	283		
WM5.50/11.25	\$3,788.00	\$37.88	325		
WM5.50/11.88	\$3,788.00	\$37.88	330		
WM5.50/12	\$3,788.00	\$37.88	332		
WM5.50/14	\$3,970.00	\$39.70	360		
WM5.50/16	\$4,152.00	\$41.52	380		
WM5.50/18	\$4,334.00	\$43.34	410		
WM5.50/20	\$4,516.00	\$45.16	429		
WM5.50/9.25	\$3,606.00	\$36.06	300		
WM5.50/9.5	\$3,606.00	\$36.06	303		

**HW HANGERS GLULAM BEAMS**

Model	List Price per 100	List Price per Each	Weight lbs/100	Min H	For H Dimension Above Min, Add to List Price per 100
HW3.25	\$4,349.00	\$43.49	501	5	\$79.00 per ½"
HW5.25	\$4,349.00	\$43.49	454	5	\$79.00 per ½"
HW6.88	\$4,349.00	\$43.49	590	4	\$314.00 per 2"

**WB, CWB, RCWB, TWB WALL BRACING**

Model	List Price per 100	List Price per Each	Weight lbs/100	Carton Qty	Pallet Qty	
CWB106	\$1,272.00	\$12.72	250	10	500	
CWB126	\$1,488.00	\$14.88	305	10	500	
RCWB10	\$1,036.00	\$10.36	235	25	500	
RCWB12	\$1,238.00	\$12.38	292	25	500	
RCWB14	\$1,724.00	\$17.24	372	25	500	
TWB10	\$956.00	\$9.56	249	15	540	Sold in full cartons only
TWB12	\$1,152.00	\$11.52	305	15	540	Sold in full cartons only
TWB14	\$1,969.00	\$19.69	374	15	540	Sold in full cartons only
WB106	\$1,268.00	\$12.68	215	10	500	
WB126	\$1,492.00	\$14.92	290	10	500	

**WBC WALL BRACING - COILED ROLLS**

Model	List Price per 100	List Price per Each	Weight lbs/100	Carton Qty	Pallet Qty	
WB106C	\$1,336.00	\$13.36	240	15	540	Sold in full cartons only
WB126C	\$1,414.00	\$14.14	283	12	432	Sold in full cartons only
WB143C	\$2,686.00	\$26.86	370	10	360	Sold in full cartons only

**WBC WALL BRACING - COILED ROLLS:**
**NOTE: ONE COILED ROLL PER CARTON:**

**WB106C:** Coiled roll consisting of 15 equal-length pieces that can be broken off by piece.

**WB126C:** Coiled roll consisting of 12 equal-length pieces that can be broken off by piece.

**WB143C:** Coiled roll consisting of 10 equal-length pieces that can be broken off by piece.

**W, WT WEDGE FORM TIES**

Model	List Price per 100	List Price per Each	Weight lbs/100	Carton Qty	Pallet Qty	
W1	\$23.00	\$0.23	3	500	50,000	Sold in full cartons only
WT6	\$46.00	\$0.46	8	250	18,000	Sold in full cartons only
WT6/125	\$46.00	\$0.46	8	250	18,000	Sold in full cartons only
WT8	\$50.00	\$0.50	11	250	18,000	Sold in full cartons only
WT8/125	\$50.00	\$0.50	11	250	18,000	Sold in full cartons only
WT10	\$69.00	\$0.69	14	250	12,000	Sold in full cartons only
WT10/125	\$69.00	\$0.69	14	250	12,000	Sold in full cartons only
WT12	\$86.00	\$0.86	14	250	12,000	Sold in full cartons only
WT12/125	\$86.00	\$0.86	14	250	12,000	Sold in full cartons only

**Z CLIPS - EWP AND SOLID SAWN SIZES**

Model	List Price per 100	List Price per Each	Weight lbs/100	Carton Qty	Pallet Qty	
Z2	\$117.00	\$1.17	11	100	9,600	
Z4	\$672.00	\$6.72	32	100	4,000	
Z6	\$748.00	\$7.48	40	100		
Z28	\$71.00	\$0.71	6	250	9,000	
Z38	\$99.00	\$0.99	7	250	9,000	
Z44	\$944.00	\$9.44	56	100	5,000	
Z28MB	\$58.00	\$0.58	6	1000	10,000	Sold in full cartons only

**MSC MULTIPLE SEAT CONNECTORS - EWP AND SOLID SAWN SIZES**

Model	List Price per 100	List Price per Each	Weight lbs/100	Min H
MSC2	\$42,035.00	\$420.35	1000	5½
MSC1.81	\$44,836.00	\$448.36	1300	5½
MSC4	\$56,046.00	\$560.46	2900	7½
MSC5	\$67,256.00	\$672.56	3200	9½

**MSC MULTIPLE SEAT CONNECTORS — EWP AND SOLID SAWN SIZES****Notes for MSC2 AND MSC1.81, ADD:**

\$83.00 to list price per 100 for each additional ½ inch or fraction thereof for H1 (ridge depth).

\$163.00 to list price per 100 for each additional ½ inch or fraction thereof for H2 (hip depth— both hips must be equal in depth; this charge includes both hips.)

**Notes for MSC4 and MSC5, ADD:**

\$193.00 to list price per 100 for each additional ½ inch or fraction thereof for H1 (ridge depth).

\$388.00 to list price per 100 for each additional ½ inch or fraction thereof for H2 (hip depth—both hips must be equal in depth; this charge includes both hips.)

**Slope Seat Charge: ADD:** \$13,452.00 to list price per 100 (this charge is for sloping both seats).

**\$25.00 NET SET-UP CHARGE DOES NOT APPLY TO MSC PRODUCTS.**

**PAB ANCHOR BOLTS**

Model	List Price per 100	List Price per Each	Weight lbs/100	Carton Qty	Pallet Qty
PAB10-12	\$11,057.00	\$110.57	638		
PAB10-18	\$13,328.00	\$133.28	814		
PAB10-24	\$15,599.00	\$155.99	991		
PAB10-30	\$17,870.00	\$178.70	1167		
PAB10-36	\$20,142.00	\$201.42	1344		
PAB10H-12	\$13,015.00	\$130.15	638		
PAB10H-18	\$16,256.00	\$162.56	814		
PAB10H-24	\$19,496.00	\$194.96	991		
PAB10H-30	\$22,736.00	\$227.36	1167		
PAB10H-36	\$25,976.00	\$259.76	1344		
PAB4-12	\$4,284.00	\$42.84	78		
PAB4-18	\$4,444.00	\$44.44	104		
PAB4-24	\$4,604.00	\$46.04	131		
PAB4-30	\$4,764.00	\$47.64	157		

**PAB ANCHOR BOLTS**

<b>Model</b>	<b>List Price per 100</b>	<b>List Price per Each</b>	<b>Weight lbs/100</b>	<b>Carton Qty</b>	<b>Pallet Qty</b>
PAB4-36	\$4,923.00	\$49.23	183		
PAB4H-12	\$4,746.00	\$47.46	78		
PAB4H-18	\$5,070.00	\$50.70	104		
PAB4H-24	\$5,392.00	\$53.92	131		
PAB4H-30	\$5,716.00	\$57.16	157		
PAB4H-36	\$6,038.00	\$60.38	183		
PAB5-12	\$4,678.00	\$46.78	132		
PAB5-18	\$4,934.00	\$49.34	174		
PAB5-24	\$5,188.00	\$51.88	216		
PAB5-30	\$5,444.00	\$54.44	258		
PAB5-36	\$5,698.00	\$56.98	300		
PAB5H-12	\$5,331.00	\$53.31	132		
PAB5H-18	\$5,961.00	\$59.61	174		
PAB5H-24	\$6,589.00	\$65.89	216		
PAB5H-30	\$7,219.00	\$72.19	258		
PAB5H-36	\$7,847.00	\$78.47	300		
PAB6-12	\$5,304.00	\$53.04	205		
PAB6-18	\$5,730.00	\$57.30	267		
PAB6-24	\$6,154.00	\$61.54	329		
PAB6-30	\$6,580.00	\$65.80	391		
PAB6-36	\$7,004.00	\$70.04	452		
PAB6H-12	\$6,188.00	\$61.88	205		
PAB6H-18	\$7,242.00	\$72.42	267		
PAB6H-24	\$8,296.00	\$82.96	329		
PAB6H-30	\$9,350.00	\$93.50	391		
PAB6H-36	\$10,404.00	\$104.04	452		
PAB7-12	\$6,487.00	\$64.87	284		
PAB7-18	\$7,494.00	\$74.94	369		
PAB7-24	\$8,500.00	\$85.00	454		
PAB7-30	\$9,506.00	\$95.06	539		
PAB7-36	\$10,513.00	\$105.13	625		
PAB7H-12	\$7,113.00	\$71.13	284		
PAB7H-18	\$8,667.00	\$86.67	369		
PAB7H-24	\$10,220.00	\$102.20	454		
PAB7H-30	\$11,775.00	\$117.75	539		
PAB7H-36	\$13,328.00	\$133.28	625		
PAB8-12	\$7,330.00	\$73.30	374		
PAB8-18	\$8,724.00	\$87.24	485		
PAB8-24	\$10,118.00	\$101.18	596		
PAB8-30	\$11,512.00	\$115.12	707		
PAB8-36	\$12,906.00	\$129.06	818		
PAB8H-12	\$8,418.00	\$84.18	374		
PAB8H-18	\$10,456.00	\$104.56	485		
PAB8H-24	\$12,492.00	\$124.92	596		
PAB8H-30	\$14,529.00	\$145.29	707		
PAB8H-36	\$16,565.00	\$165.65	818		
PAB9-12	\$9,058.00	\$90.58	480		
PAB9-18	\$10,880.00	\$108.80	621		
PAB9-24	\$12,702.00	\$127.02	761		
PAB9-30	\$14,525.00	\$145.25	901		
PAB9-36	\$16,347.00	\$163.47	1042		



**PAB ANCHOR BOLTS**

Model	List Price per 100	List Price per Each	Weight lbs/100	Carton Qty	Pallet Qty
PAB9H-12	\$10,676.00	\$106.76	480		
PAB9H-18	\$13,250.00	\$132.50	621		
PAB9H-24	\$15,824.00	\$158.24	761		
PAB9H-30	\$18,398.00	\$183.98	901		
PAB9H-36	\$20,971.00	\$209.71	1042		

**SD, SDS, SDW STRUCTURAL SCREWS**

Model	List Price per 100	List Price per Each	Weight lbs/100	Pack Qty	Carton Qty	Pallet Qty
SD9112R100	\$3,180.00	\$31.80	77	100	10	1,360
SD9112MB	\$29,252.00	\$292.52	2190	3000		
SD9112R500	\$12,774.00	\$127.74	365	500	3	
SD9212R100	\$4,393.00	\$43.93	107	100	6	576
SD9212MB	\$27,832.00	\$278.32	2200	2000		
SD9212R500	\$18,393.00	\$183.93	560	500	2	
SD10112R100	\$3,642.00	\$36.42	95	100	10	1,360
SD10112MB	\$32,376.00	\$323.76	2490	3000		
SD10112R500	\$15,028.00	\$150.28	454	500	3	
SD10212R100	\$5,145.00	\$51.45	145	100	6	576
SD10212MB	\$31,884.00	\$318.84	2800	2000		
SD10212R500	\$21,617.00	\$216.17	715	500	2	
SDS25112MB	\$14,056.00	\$140.56	687	300	3	270
SDS25112	\$69,098.00	\$690.98	3440	1500		60
SDS25200MB	\$14,264.00	\$142.64	705	250	3	270
SDS25200	\$71,197.00	\$711.97	3666	1300		60
SDS25212MB	\$13,450.00	\$134.50	670	200	3	270
SDS25212	\$69,399.00	\$693.99	3685	1100		60
SDS25300MB	\$12,230.00	\$122.30	570	150	3	270
SDS25300	\$73,420.00	\$734.20	3610	950		60
SDS25312-R25L	\$4,318.00	\$43.18	108	25	10	
SDS25312MB	\$11,805.00	\$118.05	541	125	3	270
SDS25312	\$84,108.00	\$841.08	3897	900		60
SDS25412	\$108,512.00	\$1,085.12	4312	800		60
SDS25412MB	\$14,264.00	\$142.64	539	100	3	270
SDS25500	\$41,111.00	\$411.11	3040	500		
SDS25500MB	\$8,889.00	\$88.89	608	100	3	
SDS25500-R25L	\$5,897.00	\$58.97	153	25	6	

**SD, SDS, SDW STRUCTURAL SCREWS**

Model	List Price per 100	List Price per Each	Weight lbs/100	Pack Qty	Carton Qty	Pallet Qty
SDS25600MB	\$21,670.00	\$216.70	710	100	3	270
SDS25600	\$128,262.00	\$1,282.62	4300	600		60
SDS25800	\$148,164.00	\$1,481.64	3850	400		
SDW22300MB	\$19,365.00	\$193.65	1022	250		
SDW22300	\$69,749.00	\$697.49	3463	950		
SDW22338MB	\$22,429.00	\$224.29	1127	250		
SDW22338	\$79,903.00	\$799.03	3666	900		
SDW22438MB	\$27,101.00	\$271.01	1149	200		
SDW22438	\$77,315.00	\$773.15	3146	600		
SDW22458MB	\$27,101.00	\$271.01	1193	200		
SDW22458	\$77,315.00	\$773.15	3279	600		
SDW22500MB	\$31,791.00	\$317.91	1288	200		
SDW22500	\$92,159.00	\$921.59	3565	600		
SDW22600MB	\$41,174.00	\$411.74	1477	200		
SDW22600	\$101,540.00	\$1,015.40	3469	500		
SDW22634MB	\$47,675.00	\$476.75	1645	200		
SDW22634	\$117,573.00	\$1,175.73	3889	500		
SDW22638MB	\$41,174.00	\$411.74	1556	200		
SDW22638	\$101,540.00	\$1,015.40	3665	500		

**SP, DSP, SPH, TSP STUD PLATE TIES, RAFTER STUD PLATE SPH HEAVY-DUTY STUD-TO-PLATE TIE**

Model	List Price per 100	List Price per Each	Weight lbs/100	Pack Qty	Carton Qty	Pallet Qty
SP1	\$126.00	\$1.26	19		100	3,600
SP2	\$203.00	\$2.03	24		100	3,600
SP3	\$267.00	\$2.67	30		100	
SP4	\$121.00	\$1.21	23		100	3,600
SP5	\$203.00	\$2.03	23		100	2,400
SP6	\$166.00	\$1.66	27		100	4,800
SP8	\$190.00	\$1.90	31		100	2,400
SPH4	\$159.00	\$1.59	35		100	3,600
SPH4R	\$175.00	\$1.75	35		100	3,600
SPH6	\$180.00	\$1.80	40		100	3,600
SPH6R	\$197.00	\$1.97	40		100	3,600
SPH8	\$185.00	\$1.85	40		100	3,600
SSP	\$91.00	\$0.91	14		100	5,400
DSP	\$184.00	\$1.84	28		100	5,400
TSP	\$121.00	\$1.21	22		100	4,800

**SSTB STRONG-TIE ANCHOR BOLTS**

<b>Model</b>	<b>List Price per 100</b>	<b>List Price per Each</b>	<b>Weight lbs/100</b>	<b>Carton Qty</b>	<b>Pallet Qty</b>
SSTB14	\$713.00	\$7.13	126		
SSTB16	\$713.00	\$7.13	139		1,000
SSTB16L	\$855.00	\$8.55	148		1,000
SSTB20	\$863.00	\$8.63	165		1,000
SSTB20L	\$1,042.00	\$10.42	187		1,000
SSTB24	\$876.00	\$8.76	194		1,000
SSTB24L	\$1,053.00	\$10.53	215		1,000
SSTB28	\$2,241.00	\$22.41	453		500
SSTB28L	\$2,689.00	\$26.89	502		500
SSTB34	\$2,383.00	\$23.83	534		500
SSTB36	\$2,551.00	\$25.51	565		500
SB5/8X24	\$2,962.00	\$29.62	210	10	
SB7/8X24	\$4,760.00	\$47.60	445		
SB1X30	\$5,848.00	\$58.48	700		

# ZMAX® FINISH PRODUCTS

## ZMAX ZINC COATED PRODUCTS

Model	List Price per 100	List Price per Each	Weight lbs/100	Carton Qty	Pallet Qty
A21Z	\$99.00	\$0.99	7	200	19200
A23Z	\$139.00	\$1.39	14	200	14400
A24Z	\$515.00	\$5.15	42	25	5000
A34Z	\$73.00	\$0.73	9	100	7200
A35Z	\$104.00	\$1.04	13	100	9600
AB44Z	\$1,669.00	\$16.69	74	10	540
AB46Z	\$3,461.00	\$34.61	214	8	384
AB66Z	\$4,208.00	\$42.08	299	10	180
ABA44Z	\$1,017.00	\$10.17	81	20	720
ABA46Z	\$2,090.00	\$20.90	122	10	480
ABA66Z	\$2,587.00	\$25.87	160	10	540
ABE44RZ	\$1,418.00	\$14.18	107	10	
ABE44Z	\$1,149.00	\$11.49	107	10	720
ABE46Z	\$2,173.00	\$21.73	225	10	720
ABE66RZ	\$3,541.00	\$35.41	287	10	
ABE66Z	\$2,867.00	\$28.67	292	10	540
ABU44Z	\$2,838.00	\$28.38	187	12	576
ABU46Z	\$5,388.00	\$53.88	366	10	360
ABU66Z	\$6,057.00	\$60.57	485	10	240
AC4Z	\$641.00	\$5.60	50	20	1920
AC6Z	\$793.00	\$7.70	65	20	1920
ACE4Z	\$615.00	\$6.15	34	40	4800
ACE6Z	\$842.00	\$8.42	48	40	
LCE4Z	\$649.00	\$6.49	30	20	2400
BC40Z	\$513.00	\$5.13	36	50	3600
BC46Z	\$1,738.00	\$17.38	75	10	
BC4Z	\$790.00	\$7.90	56	40	2160
BC60Z	\$1,331.00	\$13.31	89	10	960
BC6Z	\$1,976.00	\$19.76	100	10	900
BGS2-2/4Z	\$883.00	\$8.83	54	20	1200
BGS2-3/6Z	\$2,081.00	\$20.81	83	10	480
CS16Z	\$35,002.00	\$350.02	3715		36
<b>DECK JOIST TIE</b>					
DJT14Z	\$273.00	\$2.73	48	25	3,600
<b>DECK POST TIES</b>					
DPT5Z	\$279.00	\$2.79	33	50	4,500
DPT7Z	\$280.00	\$2.80	38	25	1,800
DSPZ	\$245.00	\$2.45	28	100	5400
DTT2Z	\$1,219.00	\$12.19	73	20	1920
DTT2Z-R2	\$2,875.00	\$28.75	164	4	720
DTT2Z-SDS2.5	\$1,219.00	\$12.19	75	20	

Equal quantities of lefts and rights are included in each carton  
 Equal quantities of lefts and rights are included in each carton

# ZMAX® FINISH PRODUCTS

ZMAX ZINC COATED PRODUCTS					
Model	List Price per 100	List Price per Each	Weight lbs/100	Carton Qty	Pallet Qty
EPC44-16Z	\$2,036.00	\$20.36	150	10	540
EPC46-16Z	\$3,404.00	\$34.04	203	10	540
EPC48-16Z	\$5,743.00	\$57.43	243		
EPC66-16Z	\$3,404.00	\$34.04	253		
EPS4Z	\$392.00	\$3.92	54	25	
EPS4ZB	\$392.00	\$3.92	54		1200
F24-2Z	\$313.00	\$3.13	32	150	4500
F26-2Z	\$340.00	\$3.40	41	100	3000
F44Z	\$360.00	\$3.60	35	150	3600
F46Z	\$472.00	\$4.72	46	100	3000
FB24Z	\$114.00	\$1.14	12	100	9600
FB24ZB	\$72.00	\$0.72	10	500	15000
FBR24Z	\$121.00	\$1.21	14	100	9600
FWANZ	\$563.00	\$5.63	46	50	6000
FWAZ	\$2,977.00	\$29.77	116	20	1440
H1Z	\$173.00	\$1.73	22	100	4800
H2.5AZ	\$76.00	\$0.76	11	100	7200
H2.5Z	\$76.00	\$0.76	13	100	7200
H2Z	\$230.00	\$2.30	20	100	3600
H3Z	\$74.00	\$0.74	10	100	7200
H4Z	\$59.00	\$0.59	9	100	7200
H5Z	\$73.00	\$0.73	11	100	7200
H6Z	\$908.00	\$9.08	73	50	1200
H7Z	\$1,042.00	\$10.42	67	50	1200
H8Z	\$126.00	\$1.26	13	100	9600
H10-2Z	\$363.00	\$3.63	37	50	2400
H10AZ	\$345.00	\$3.45	41	50	1800
H10Z	\$345.00	\$3.45	41	50	1800
H11Z	\$419.00	\$4.19	37	50	1800
HCP2Z	\$356.00	\$3.56	37	50	1800
HCP4Z	\$521.00	\$5.21	61	25	600
HETA20Z	\$279.00	\$2.79	40	50	2400
HETAL20Z	\$370.00	\$3.70	88	50	1800
HF24NZ	\$128.00	\$1.28	20	200	4800
HF26NZ	\$238.00	\$2.38	26	150	4500
HF34NZ	\$245.00	\$2.45	29	125	3750
HF36NZ	\$400.00	\$4.00	38	100	3000

Equal quantities of lefts and rights are included in each carton

Equal quantities of lefts and rights are included in each carton

Equal quantities of lefts and rights are included in each carton

Equal quantities of lefts and rights are included in each carton

Equal quantities of lefts and rights are included in each carton

Equal quantities of lefts and rights are included in each carton

# ZMAX® FINISH PRODUCTS

ZMAX ZINC COATED PRODUCTS					
Model	List Price per 100	List Price per Each	Weight lbs/100	Carton Qty	Pallet Qty
HHUS26-2Z	\$1,285.00	\$12.85	90	25	750
HHUS28-2Z	\$1,366.00	\$13.66	108	25	600
HHUS210-2Z	\$1,768.00	\$17.68	135	25	750
HHUS46Z	\$1,049.00	\$10.49	85	25	750
HHUS48Z	\$1,400.00	\$14.00	107	25	750
HHUS410Z	\$1,918.00	\$19.18	137	25	600
HPTZ	\$155.00	\$1.55	15	100	
HRS416Z	\$1,787.00	\$17.87	146	10	1560
HUSC210-2Z	\$1,405.00	\$14.05	92	25	750
HSUR210-2Z	\$3,417.00	\$34.17	187		
HSUL210-2Z	\$3,417.00	\$34.17	187		
HSULC210-2Z	\$3,417.00	\$34.17	187		
HSURC210-2Z	\$3,417.00	\$34.17	187		
HSUL46Z	\$3,514.00	\$35.14	146		
HSUR46Z	\$3,514.00	\$35.14	146		
HSUL410Z	\$3,706.00	\$37.06	199		
HSUR410Z	\$3,706.00	\$37.06	199		
HSULC46Z	\$3,418.00	\$34.18	146		
HSURC46Z	\$3,418.00	\$34.18	146		
HSULC410Z	\$3,603.00	\$36.03	199		
HSURC410Z	\$3,603.00	\$36.03	199		
HTP37Z	\$416.00	\$4.16	34	25	3000
HTS20Z	\$497.00	\$4.97	50	50	1800
HU46Z	\$1,067.00	\$10.67	75		
HU48Z	\$1,331.00	\$13.31	92	25	1800
HU410Z	\$1,644.00	\$16.44	110		
HU412Z	\$1,890.00	\$18.90	127		
HU68Z	\$1,914.00	\$19.14	91		
HU610Z	\$2,704.00	\$27.04	110		
HU612Z	\$3,331.00	\$33.31	127		
HUC210-2Z	\$1,809.00	\$18.09	110	25	
HUC210-3Z	\$3,520.00	\$35.20	115	25	
HUC26-2Z	\$1,451.00	\$14.51	75		
HUC28-2Z	\$1,474.00	\$14.74	92	25	

# ZMAX® FINISH PRODUCTS

ZMAX ZINC COATED PRODUCTS					
Model	List Price per 100	List Price per Each	Weight lbs/100	Carton Qty	Pallet Qty
HUC44Z	\$889.00	\$8.89	52	25	
HUC46Z	\$1,100.00	\$11.00	75		
HUC48Z	\$1,331.00	\$13.31	92	25	1800
HUC410Z	\$1,644.00	\$16.44	110	25	1200
HUC412Z	\$1,890.00	\$18.90	127	25	
HUC68Z	\$1,809.00	\$18.09	91	25	1200
HUC610Z	\$2,556.00	\$25.56	110	25	900
HUC612Z	\$3,331.00	\$33.31	127		
HUCQ410Z-SDSG	\$5,307.00	\$53.07	177		
HUCQ412Z-SDSG	\$5,609.00	\$56.09	208		
HUCQ5.25/11ZSDSG	\$6,079.00	\$60.79	217		
HUCQ5.25/9Z-SDSG	\$5,743.00	\$57.43	187		
HUCQ610Z-SDSG	\$5,373.00	\$53.73	189		
HUCQ612Z-SDSG	\$5,675.00	\$56.75	220		
HUS26Z	\$744.00	\$7.44	61	50	1200
HUS28Z	\$968.00	\$9.68	88	25	600
HUS210Z	\$1,284.00	\$12.84	102	25	600
L50Z	\$252.00	\$2.52	26	100	5400
L70Z	\$307.00	\$3.07	36	50	1800
L90Z	\$404.00	\$4.04	45	50	1800
LBP 1/2Z	\$106.00	\$1.06	16	50	3000
LBP 5/8Z	\$106.00	\$1.06	17	50	3000
LBPS 1/2Z	\$234.00	\$2.34	33	50	3000
LBPS 5/8Z	\$234.00	\$2.34	37	50	3000
LMA4Z	\$283.00	\$2.83	22	100	3000
LMA6Z	\$328.00	\$3.28	28	50	1500
LPC4Z	\$422.00	\$4.22	28	40	2880
LPC6Z	\$555.00	\$5.55	45	40	1920
LS30Z	\$214.00	\$2.14	19	100	9600
LS50Z	\$326.00	\$3.26	26	50	6000
LS70Z	\$434.00	\$4.34	34	25	3000
LS90Z	\$528.00	\$5.28	42	50	4800
LSCZ	\$330.00	\$3.30	30	25	3000
LSU26Z	\$829.00	\$8.29	47	25	1500
LSSU28Z	\$1,535.00	\$15.35	62		
LSSU210Z	\$1,612.00	\$16.12	75	25	900
LSSU210-2Z	\$2,555.00	\$25.55	144		
LSSU410Z	\$2,308.00	\$23.08	144		

# ZMAX® FINISH PRODUCTS

## ZMAX ZINC COATED PRODUCTS

Model	List Price per 100	List Price per Each	Weight lbs/100	Carton Qty	Pallet Qty
LTP4Z	\$101.00	\$1.01	11	200	19200
LUC26Z	\$200.00	\$2.00	26	25	2400
LUC210Z	\$275.00	\$2.75	42	25	1800
LUS24Z	\$110.00	\$1.10	19	100	4800
LUS26Z	\$160.00	\$1.60	27	100	4800
LUS28Z	\$196.00	\$1.96	37	50	3600
LUS210Z	\$220.00	\$2.20	43	50	3600
LUS26-2Z	\$326.00	\$3.26	39	25	1500
LUS28-2Z	\$360.00	\$3.60	50	25	1200
LUS210-2Z	\$439.00	\$4.39	60	25	1500
LUS28-3Z	\$838.00	\$8.38	53	15	720
LUS210-3Z	\$880.00	\$8.80	57	25	750
LUS36Z	\$516.00	\$5.16	36	50	2400
LUS44Z	\$307.00	\$3.07	27	25	1800
LUS46Z	\$344.00	\$3.44	32	25	1500
LUS48Z	\$454.00	\$4.54	48	50	1200
LUS410Z	\$527.00	\$5.27	60	25	1500
LUS414Z	\$718.00	\$7.18	69	25	750
MAB15Z	\$128.00	\$1.28	25	50	3600
MAB23Z	\$214.00	\$2.14	39	50	1500
MASAPZ	\$202.00	\$2.02	31	50	2200
MASAZ	\$202.00	\$2.02	32	50	2200
MASBZ	\$220.00	\$2.20	34	50	2400
MASZ	\$175.00	\$1.75	32	50	1800
META20Z	\$141.00	\$1.41	34	100	4800
ML24Z	\$539.00	\$5.39	44	15	1800
ML26Z	\$820.00	\$8.20	70	15	1800
MSTA12Z	\$162.00	\$1.62	20	50	11700
MSTA15Z	\$207.00	\$2.07	25	50	8250
MSTA18Z	\$246.00	\$2.46	30	50	6500
MSTA21Z	\$285.00	\$2.85	35	50	6600
MSTA24Z	\$326.00	\$3.26	42	50	5500
MSTA30Z	\$398.00	\$3.98	62	50	3750
MSTA36Z	\$502.00	\$5.02	74	50	3250
MSTAM24Z	\$326.00	\$3.26	40	50	5500
MSTAM36Z	\$502.00	\$5.02	74	50	3250



# ZMAX® FINISH PRODUCTS

ZMAX ZINC COATED PRODUCTS					
Model	List Price per 100	List Price per Each	Weight lbs/100	Carton Qty	Pallet Qty
MTS12Z	\$239.00	\$2.39	25	100	5400
MTS16Z	\$255.00	\$2.55	33	100	3600
MTS20Z	\$434.00	\$4.34	40	100	3600
MTS30Z	\$543.00	\$5.43	60	50	900
PA18Z	\$1,291.00	\$12.91	124	10	1000
PA23Z	\$1,507.00	\$15.07	152	10	1000
PA28Z	\$1,540.00	\$15.40	194		1000
PA35Z	\$2,112.00	\$21.12	222		1000
PA51Z	\$2,147.00	\$21.47	315	10	300
PA68Z	\$2,833.00	\$28.33	430	5	300
PB44Z	\$1,384.00	\$13.84	120	10	900
PB66Z	\$2,920.00	\$29.20	219	10	480
PBS44AZ	\$1,712.00	\$17.12	180	10	
PC44-16Z	\$2,036.00	\$20.36	180	10	540
PC44Z	\$4,526.00	\$45.26	355	10	600
PC46-16Z	\$3,404.00	\$34.04	228	10	300
PC46Z	\$6,032.00	\$60.32	423	10	900
PC48-16Z	\$5,743.00	\$57.43	265		
PC66-16Z	\$3,404.00	\$34.04	269	10	
PC66Z	\$9,524.00	\$95.24	472	10	300
PF24Z	\$267.00	\$2.67	21	50	3600
PF26Z	\$345.00	\$3.45	29	50	1800
PSPN516Z	\$960.00	\$9.60	143	10	480
PSPN58Z	\$568.00	\$5.68	68	25	3600
RPS18Z	\$316.00	\$3.16	44	50	3000
RPS22Z	\$384.00	\$3.84	54	50	3000
RPS28Z	\$484.00	\$4.84	73	25	2400
RTA2Z	\$200.00	\$2.00	32	50	2700
RTC22Z	\$377.00	\$3.77	56	20	1920
RTC24Z	\$743.00	\$7.43	124	20	720
RTC42Z	\$896.00	\$8.96	107	16	768
RTF2Z	\$375.00	\$3.75	56	10	1680
RTT22Z	\$394.00	\$3.94	45	10	1200
RU24-2Z	\$948.00	\$9.48	29		
RU24Z	\$821.00	\$8.21	26		
RU34Z	\$975.00	\$9.75	30		
RU44Z	\$1,078.00	\$10.78	31		

# ZMAX® FINISH PRODUCTS

## ZMAX ZINC COATED PRODUCTS

Model	List Price per 100	List Price per Each	Weight lbs/100	Carton Qty	Pallet Qty
SP1Z	\$173.00	\$1.73	19	100	3,600
SP2Z	\$277.00	\$2.77	24	100	
SP4Z	\$166.00	\$1.66	23	100	3,600
SP6Z	\$189.00	\$1.89	27	100	4,800
SP8Z	\$211.00	\$2.11	31	100	2,400
SPH4RZ	\$208.00	\$2.08	35	100	3,600
SPH4Z	\$189.00	\$1.89	35	100	3,600
SPH6RZ	\$242.00	\$2.42	40	100	3,600
SPH6Z	\$220.00	\$2.20	40	100	3,600
SPH8Z	\$246.00	\$2.46	40	100	3,600
SSPZ	\$125.00	\$1.25	14	100	5400
SUL26Z	\$1,346.00	\$13.46	64	10	1680
SUR26Z	\$1,346.00	\$13.46	64	10	1680
SUL210Z	\$1,595.00	\$15.95	102	10	1,680
SUR210Z	\$1,595.00	\$15.95	102	10	1680
SUL210-2Z	\$2,681.00	\$26.81	151	25	
SUR210-2Z	\$2,681.00	\$26.81	151	25	
TA9Z	\$552.00	\$5.52	59	50	2,400
TA10Z	\$778.00	\$7.78	74	50	2,400
TA9ZKT	\$1,501.00	\$15.01	111	20	2 TAZ's with screws
TA10ZKT	\$1,784.00	\$17.84	180	20	2 TAZ's with screws
TBE4Z	\$820.00	\$8.20	34	50	1500
THA422Z	\$1,322.00	\$13.22	140	25	375
TSPZ	\$170.00	\$1.70	22	100	

# STAINLESS STEEL PRODUCTS

Model	List Price per 100	List Price per Each	Weight lbs/100	Carton Qty	Pallet Qty	
A34SS	\$543.00	\$5.43	10	25		
A35SS	\$733.00	\$7.33	17	25	3000	
ABU44SS	\$21,334.00	\$213.34	185	6	576	
ABU46SS	\$40,512.00	\$405.12	347			
ABU66SS	\$45,546.00	\$455.46	487	6	216	
ABU88SS	\$123,677.00	\$1,236.77	714	4		
AC4SS	\$4,846.00	\$48.46	49	20		
AC6SS	\$5,953.00	\$59.53	53	20		
ACE4SS	\$4,620.00	\$46.20	33	40		Equal quantities of lefts and rights are included in each carton
ACE6SS	\$6,310.00	\$63.10	48	40		
BC40SS	\$3,188.00	\$31.88	45	50		
BC4SS	\$4,987.00	\$49.87	63	40		
BTBSS	\$203.00	\$2.03	6	500	36000	
CB44SS	\$21,638.00	\$216.38	424			
CB46SS	\$22,775.00	\$227.75	450			
CB66SS	\$28,094.00	\$280.94	750			
CS16SS-R	\$17,289.00	\$172.89	650			
DTT2SS	\$8,111.00	\$81.11	73	4		
DTT2SS-R2	\$16,660.00	\$166.60		2		
H2.5SS	\$566.00	\$5.66	12	50	3600	Equal quantities of lefts and rights are included in each carton
H2SS	\$1,737.00	\$17.37	20	100	3600	
H3SS	\$566.00	\$5.66	10	100	7200	Equal quantities of lefts and rights are included in each carton
H4SS	\$461.00	\$4.61	7	100	7200	
H5SS	\$543.00	\$5.43	11	100	7200	Equal quantities of lefts and rights are included in each carton
H8SS	\$976.00	\$9.76	13			
H10SS	\$2,614.00	\$26.14	42	50	1800	
LUC26SS	\$1,340.00	\$13.40	25	20		
LUC210SS	\$1,840.00	\$18.40	39	20		
LUS26SS	\$1,194.00	\$11.94	27	25	1800	
LUS28SS	\$1,412.00	\$14.12	35	25	3000	
LUS210SS	\$1,654.00	\$16.54	41	25	2400	
LUS26-2SS	\$2,509.00	\$25.09	37	10	1440	
LUS28-2SS	\$2,731.00	\$27.31	50	10	1200	
LUS210-2SS	\$3,410.00	\$34.10	58	10	900	
MSTA12SS	\$1,213.00	\$12.13	21	25		
MSTA18SS	\$1,882.00	\$18.82	31	25		
MSTA24SS	\$2,513.00	\$25.13	39	50	5500	
MSTA36SS	\$3,770.00	\$37.70	72	50	3250	
MTS20SS	\$3,346.00	\$33.46	41		3000	
RFB#5X8SS	\$7,349.00	\$73.49	70			

# STAINLESS STEEL PRODUCTS

Model	List Price per 100 lbs	List Price per 1 lb	Weight lbs/100	Pack Qty	Carton Qty	Pallet Qty
SDS25112SS	\$299,472.00	\$2,994.72	3300	1500		
SDS25112SS-R25	\$5,889.00	\$58.89	57	25	10	
SDS25200SS	\$306,408.00	\$3,064.08	3400	1300		
SDS25300SS	\$306,068.00	\$3,060.68	3500	950		
SDS25300SS-R25	\$8,636.00	\$86.36	95	25	10	
SDS25312SS	\$324,496.00	\$3,244.96	3800	900		
SDS25312SS-R25	\$9,615.00	\$96.15	108	25	10	

Model	List Price per 100 lbs	List Price per 1 lb	Approximate Fasteners per 100 lbs	Approximate per 1 lb	Description
-------	------------------------	---------------------	-----------------------------------	----------------------	-------------

## STAINLESS-STEEL NAILS BULK (Packaged in 50lb cartons, but available by the Pound)

SSN8	\$4,673.00	\$46.73	15,200	152	.131 X 1 ½ Type 316 Stainless
SS10D	\$4,673.00	\$46.73	12,200	122	.148 X 1 ½ Type 316 Stainless
SS8D	\$4,745.00	\$47.45	9,400	94	.131 X 2 ½ Type 316 Stainless
SS10D	\$4,673.00	\$46.73	6,700	67	.148 X 3 Type 316 Stainless
SS16D	\$5,433.00	\$54.33	4,400	44	.162 X 3 ½ Type 316 Stainless

Model	List Price per 100 lbs	List Price per 1 lb	Approximate Fasteners per Package	Retail Boxes per Carton	Description
-------	------------------------	---------------------	-----------------------------------	-------------------------	-------------

## STAINLESS-STEEL NAILS RETAIL DISPLAY PACKS

SSN8D	\$5,176.00	\$51.76	150	10	.131 X 1 ½ Type 316 Stainless 1-Lb
SSN8D5	\$19,183.00	\$191.50	750	6	.131 X 1 ½ Type 316 Stainless 5-Lb
SSN10D	\$5,176.00	\$51.76	120	10	.148 X 1 ½ Type 316 Stainless 1-Lb
SSN10D5	\$19,183.00	\$191.50	600	6	.148 X 1 ½ Type 316 Stainless 5-Lb
SS8DD	\$5,176.00	\$51.76	94	10	.131 X 2 ½ Type 316 Stainless 1-Lb
SS10DD	\$5,176.00	\$51.76	67	10	.148 X 3 Type 316 Stainless 1-Lb
SS16DD	\$5,176.00	\$51.76	44	10	.162 X 3 ½ Type 316 Stainless 1-Lb

Model	List Price per 100	List Price per Each	Approximate Fasteners per Bucket	Description
-------	--------------------	---------------------	----------------------------------	-------------

## STAINLESS-STEEL NAILS 25-LB. BUCKETS

SSN8DB	\$85,950.00	\$859.50	3,800	.131 X 1 ½ Type 316 Stainless 25-Lb Bkt
SSN10DB	\$85,950.00	\$859.50	3,000	.148 X 1 ½ Type 316 Stainless 25-Lb Bkt
SS8DB	\$85,950.00	\$859.50	2,350	.131 X 2 ½ Type 316 Stainless 25-Lb Bkt
SS10DB	\$85,950.00	\$859.50	1,675	.148 X 3 Type 316 Stainless 25-Lb Bkt
SS16DB	\$85,950.00	\$859.50	1,100	.148 X 3 ½ Type 316 Stainless 25-Lb Bkt

Model	List Price per 100	List Price per Each	Weight lbs/100	Carton Qty	Pallet Qty
TA10SS	\$7,781.00	\$77.81	74		
TA9SS	\$5,524.00	\$55.24	59		20

# RETAIL PACKAGED PRODUCTS

RETAIL BOXED PRODUCTS						
Model	Unit of Measure	List Price per Each UOM	Weight per Each UOM	Description	Ctn Qty	
<b>SHELF BRACKET</b>						
CF-R	EA	\$5.45	1	4 <sup>15</sup> / <sub>16</sub> X 6" Shelf Bracket	25	
<b>COILED STRAPS</b>						
CS14-R	EA	\$71.37	8	14GA 25FT Coiled Strap	4	
CS16-R	EA	\$54.90	7	16GA 25FT Coiled Strap	4	
CS18-R	EA	\$42.69	5	18GA 25FT Coiled Strap	4	
CS20-R	EA	\$32.54	4	20GA 25FT Coiled Strap	4	
CS22-R	EA	\$28.46	3	22GA 25FT Coiled Strap	4	
ECCQ44SDS2.5-R	EA	\$112.34	12	End Column CAP 4X Beam, 4X Column		
ECCQ46SDS2.5-R	EA	\$112.34	12	End Column CAP 4X Beam, 6X Column		
ECCQ66SDS2.5-R	EA	\$158.56	13	End Column CAP 6X Beam, 6X Column		
<b>HEAVY ANGLES</b>						
HL33-R	EA	\$7.97	1		10	
HL35-R	EA	\$15.52	2		10	
<b>INSULATION SUPPORTS</b>						
IS16-R100	Pak	\$18.26	3	16IN Insulation Support	15	Sold in full cartons only
IS24-R100	Pak	\$20.10	5	24IN Insulation Support	10	Sold in full cartons only
<b>JACK PIER &amp; FLOOR JACKS</b>						
J57-R	EA	\$38.64	2	Jack Pier 5-7 In		
<b>JOIST HANGER NAILS WITH HOT DIP GALVANIZED FINISH</b>						
N8DHDG	PKG	\$8.36	1	.131 X 1 1/2" HDG Nail 1-Lb Pack	24	Sold in full cartons only
N8D5HDG	PKG	\$27.19	5	.131 X 1 1/2" HDG Nail 5-Lb Pack	6	Sold in full cartons only
N10DHDG	PKG	\$8.36	1	.148 X 1 1/2" HDG Nail 1-Lb Pack	24	Sold in full cartons only
N10D5HDG	PKG	\$27.19	5	.148 X 1 1/2" HDG Nail 5-Lb Pack	6	Sold in full cartons only
10DHDG	PKG	\$8.36	1	.148 X 3" (10D Common) HDG Nail 1-Lb Pack	24	Sold in full cartons only
10D5HDG	PKG	\$27.19	5	.148 X 3" (10D Common) HDG Nail 5-Lb Pack	6	Sold in full cartons only
16DHDG	PKG	\$8.36	1	.162 X 3 1/2" (16D Common) HDG Nail 1-Lb Pack	24	Sold in full cartons only
16D5HDG	PKG	\$27.19	5	.162 X 3 1/2" (16D Common) HDG Nail 5-Lb Pack	6	Sold in full cartons only
<b>PIPE GRIP-TIES</b>						
PGT1.5Z-R	EA	\$4.27	1	Pipe Grip Tie With Bolt	50	
PGT2-R	EA	\$3.33	1	Pipe Grip Tie With Bolt	50	
PGT2E-R50	Pak	\$138.04	30	Pipe Grip Tie With Bolt	1	
PGT2Z-R	EA	\$4.54	1	Pipe Grip Tie With Bolt	50	
PGTIC2Z-R	EA	\$7.00	1	Pipe Grip Tie With Bolt	24	

# RETAIL PACKAGED PRODUCTS

## RETAIL BOXED PRODUCTS

Model	Unit of Measure	List Price per Each UOM	Weight per Each UOM	Description	Ctn Qty
<b>STAINLESS STEEL NAILS RETAIL DISPLAY PACKS</b>					
SSN8D	PKG	\$51.76	1	.131 X 1 1/2" Type 316 Stainless 1-Lb	10
SSN8D5	PKG	\$191.83	5	.131 X 1 1/2" Type 316 Stainless 5-Lb	6
SSN10D	PKG	\$51.76	1	.148 X 1 1/2" Type 316 Stainless 1-Lb	10
SSN10D5	PKG	\$191.83	5	.148 X 1 1/2" Type 316 Stainless 5-Lb	6
SS8DD	PKG	\$51.76	1	.131 X 2 1/2" Type 316 Stainless 1-Lb	10
SS10DD	PKG	\$51.76	1	.148 X 3" Type 316 Stainless 1-Lb	10
SS16DD	PKG	\$51.76	1	.162 X 3 1/2" Type 316 Stainless 1-Lb	10
<b>STAINLESS STEEL NAILS 25-LB. BUCKETS</b>					
SSN8DB	PKG	\$388.89	25	.131 X 1 1/2" Type 316 Stainless 25-Lb BKT	
SSN10DB	PKG	\$388.89	25	.148 X 1 1/2" Type 316 Stainless 25-Lb BKT	
SS8DB	PKG	\$859.50	25	.131 X 2 1/2" Type 316 Stainless 25-Lb BKT	
SS10DB	PKG	\$859.50	25	.148 X 3" Type 316 Stainless 25-Lb BKT	
SS16DB	PKG	\$859.50	25	.148 X 3 1/2" Type 316 Stainless 25-Lb BKT	
<b>STRONG-DRIVE WOOD SCREWS</b>					
SD8X1.25	Pak	\$12.21	1	#8X1 1/4" Strong Drive Screw Retail Pak 100	24
<b>STRONG-DRIVE WOOD SCREWS WITH DOUBLE-BARRIER COATING</b>					
SDS25112-R25	Pak	\$14.48	1	SDS 1/4"X1 1/2" Retail Pak 25	12
SDS25200-R25	Pak	\$17.79	1	SDS 1/4"X2" Retail Pak 25	12
SDS25212-R25	Pak	\$18.73	1	SDS 1/4"X2 1/2" Retail Pak 25	12
SDS25300-R25	Pak	\$21.95	1	SDS 1/4"X3" Retail Pak 25	12
SDS25312-R10	Pak	\$13.99	1	SDS 1/4"X3 1/2" Retail Pak 10	12
SDS25412-R10	Pak	\$17.79	1	SDS 1/4"X4 1/2" Retail Pak 10	6
SDS25500-R25L	Pak	\$58.97	2	SDS 1/4"X5" Retail Pak 25	6
SDS25600-R10	Pak	\$22.05	1	SDS 1/4"X6" Retail Pak 10	6
<b>STRONG-DRIVE STRUCTURAL WOOD SCREWS WITH BLACK E-COAT FINISH</b>					
SDW22300-R50	Pak	\$41.71	3	SDW .22 X 2 7/8" Retail Pak 50	6
SDW22338-R50	Pak	\$66.48	3	SDW .22 X 3 3/8" Retail Pak 50	6
SDW22438-R50	Pak	\$84.50	3	SDW .22 X 4 3/8" Retail Pak 50	4
SDW22458-R50	Pak	\$84.50	3	SDW .22 X 4 5/8" Retail Pak 50	4
SDW22500-R50	Pak	\$91.24	3	SDW .22 X 5" Retail Pak 50	4
SDW22600-R50	Pak	\$104.72	4	SDW .22 X 6" Retail Pak 50	4
SDW22638-R50	Pak	\$104.72	4	SDW .22 X 6 3/8" Retail Pak 50	4
SDW22634-R50	Pak	\$121.26	4	SDW .22 X 6 3/4" Retail Pak 50	4
<b>STUD SHOE</b>					
SS1.5-R	EA	\$6.72	1	2X STUD SHOE	25
<b>STRONG-TIE ANCHOR BOLTS</b>					
SSTB16-R	BOX	\$7.72	1	5/8" DIA 17 5/8" Anchor Bolt	10
SSTB20-R	BOX	\$9.57	2	5/8" DIA 21 5/8" Anchor Bolt	10
SSTB24-R	BOX	\$9.57	2	5/8" DIA 25 5/8" Anchor Bolt	10
SSTB28-R	BOX	\$24.40	5	7/8" DIA 29 7/8" Anchor Bolt	10
SSTB34-R	BOX	\$27.24	5	7/8" DIA 34 7/8" Anchor Bolt	10

# RETAIL PACKAGED PRODUCTS

RETAIL BOXED PRODUCTS					
Model	Unit of Measure	List Price per Each UOM	Weight per Each UOM	Description	Ctn Qty
<b>ANCHORMATE BOLT HOLDER</b>					
AM 5/8-RP10	BAG	\$32.71	1	5/8" DIA Anchor Bolt Holder Blue/Bag 10	5
<b>BRICK-TIE</b>					
BT-R100	BAG	\$29.24	5	Brick Tie/Bag 100	5 Sold in full cartons only
<b>PANEL SHEATHING CLIPS</b>					
PSCL 3/8-R50	BAG	\$12.96	2	3/8" Panel Sheathing Clips/Bag 50	10 Sold in full cartons only
PSCL 7/16-R50	BAG	\$12.96	2	7/16" Panel Sheathing Clips/Bag 50	10 Sold in full cartons only
PSCL 15/32-R50	BAG	\$12.96	2	15/32" Panel Sheathing Clips/Bag 50	10 Sold in full cartons only
PSCL 1/2-R50	BAG	\$12.96	2	1/2" Panel Sheathing Clips/Bag 50	10 Sold in full cartons only
PSCL 19/32-R50	BAG	\$12.96	2	19/32" Panel Sheathing Clips/Bag 50	10 Sold in full cartons only
PSCL 5/8-R50	BAG	\$12.96	2	5/8" Panel Sheathing Clips/Bag 50	10 Sold in full cartons only
PSCL 3/4-R50	BAG	\$14.82	2	3/4" Panel Sheathing Clips/Bag 50	10 Sold in full cartons only
<b>WEDGE FORM TIES</b>					
WT6-R50	BAG	\$46.57	4	Wedge Tie 2X Formboard 6" Wall/Bag 50	5
WT6/125-R50	BAG	\$46.57	4	Wedge Tie 1 1/4" Formboard 6" Wall/Bag 50	5
WT8-R50	BAG	\$50.93	6	Wedge Tie 2X Formboard 8" Wall/Bag 50	5
WT8/125-R50	BAG	\$50.93	6	Wedge Tie 1 1/4" Formboard 8" Wall/Bag 50	5
<b>WEDGES</b>					
W1-R100	BAG	\$32.01	3	Wedges for Wedge Form Ties/Bag 100	5

KWB1 WORKBENCH OR SHELF UNIT KIT					
MODEL	Unit of Measure	List Price per each		Description	Ctn Qty
KWB1	1	\$77.28	10	Kit Includes : 8 RTC24 Connectors, 200 SD8X1.25 Strong-Drive Screws, Plans And Material List	
<b>STRONG-DRIVE WOOD SCREWS</b>					
SD9112R100		\$31.80	1	#9 X 1 1/2" Retail Pak 100	10
SD9112R500		\$127.74	4	#9 X 1 1/2" Retail Pak 500	3
SD9212R100		\$43.93	1	#9 X 2 1/2" Retail Pak 100	6
SD9212R500		\$183.93	6	#9 X 2 1/2" Retail Pak 500	2
SD10112R100		\$36.42	1	#10 X 1 1/2" Retail Pak 100	10
SD10112R500		\$150.28	5	#10 X 1 1/2" Retail Pak 500	3
SD10212R100		\$51.45	2	#10 X 2 1/2" Retail Pak 100	6
SD10212R500		\$216.17	7	#10 X 2 1/2" Retail Pak 500	2
<b>STRAP TIE</b>					
ST12-R		\$1.41	1	12" 16GA Strap Tie	25
ST22-R		\$3.31	1	22" 16GA Strap Tie	25
<b>ROOF TRUSS CLIP</b>					
STC-R		\$0.76	1	Roof Truss Clip	100

# COLD FORMED STEEL PRODUCTS

Model	List Price per 100	List Price per Each	Weight lbs/100	Carton Qty	Pallet Qty
S/BA2.12/10	\$1,360.00	\$13.60	171	25	375
S/BA2.12/12	\$1,394.00	\$13.94	195	25	375
S/BA2.12/14	\$1,571.00	\$15.71	220	25	375
S/BA2.12/8	\$1,326.00	\$13.26	147	25	375
S/BA4.18/10	\$1,428.00	\$14.28	187	20	300
S/BA4.18/12	\$1,496.00	\$14.96	212	20	300
S/BA4.18/14	\$1,700.00	\$17.00	239	20	300
S/BA4.18/8	\$1,360.00	\$13.60	165	20	300
S/HDU11	\$4,430.00	\$44.30	500	4	
S/HDU4	\$3,033.00	\$30.33	250	10	
S/HDU6	\$3,384.00	\$33.84	325	10	
S/HDU9	\$3,857.00	\$38.57	400	6	
S/HJCT	\$620.00	\$6.20	87	50	1200
S/JCT	\$510.00	\$5.10	62	50	1200
S/JCT8-14	\$457.00	\$4.57	62	50	1200
S/VGT2.5	\$7,480.00	\$74.80	245	6	
S/A23	\$103.00	\$1.03	13	200	14400
S/DSC4L	\$5,093.00	\$50.93	638		
S/DSC4R	\$5,093.00	\$50.93	638		
S/GTC	\$204.00	\$2.04	16	50	
S/H1	\$126.00	\$1.26	21	100	4800
S/H1A	\$126.00	\$1.26	21	100	
S/H2	\$167.00	\$1.67	20	100	3600
S/H2.5	\$56.00	\$0.56	11	100	7200
S/H3	\$56.00	\$0.56	10	100	8000
S/HD10	\$5,028.00	\$50.28	416		264
S/HD10B	\$5,028.00	\$50.28	325		
S/HD10S	\$5,028.00	\$50.28	325		
S/HD15	\$16,876.00	\$168.76	652		
S/HD15B	\$13,818.00	\$138.18	500		
S/HD15S	\$13,818.00	\$138.18	500		
S/HD8	\$4,838.00	\$48.38	368		264
S/HD8B	\$4,838.00	\$48.38	280		
S/HD8S	\$4,838.00	\$48.38	280		
S/HGAM10KT	\$6,140.00	\$61.40	470	6	324
S/HPAHD22	\$1,647.00	\$16.47	300	5	500
S/HTC4	\$495.00	\$4.95	34	50	
S/HTC6	\$495.00	\$4.95	34	50	
S/HTT14	\$2,009.00	\$20.09	209	10	400
S/LS50	\$241.00	\$2.41	30	100	5400
S/LS70	\$317.00	\$3.17	39	50	
S/LTT20	\$1,618.00	\$16.18	180	10	500
S/MPAHD	\$1,580.00	\$15.80	232	5	
S/MST27	\$808.00	\$8.08	158	10	
S/MST37	\$1,155.00	\$11.55	216	10	
S/MST48	\$1,598.00	\$15.98	280	10	
S/MST60	\$2,460.00	\$24.60	485	10	
S/MST72	\$3,260.00	\$32.60	530	5	300



# COLD FORMED STEEL PRODUCTS

Model	List Price per 100	List Price per Each	Weight lbs/100	Carton Qty	Pallet Qty
S/PAHD42	\$1,969.00	\$19.69	176	5	500
S/PSPN516	\$722.00	\$7.22	105	25	
S/PSPN516Z	\$986.00	\$9.86	140	25	
S/PSPN58	\$427.00	\$4.27	66	50	
S/PSPN58Z	\$568.00	\$5.68	68	50	
S/TSR1.5-24	\$551.00	\$5.51	84	50	
S/TSR1.5-24T	\$551.00	\$5.51	56	50	
S/TSR1.62-24	\$551.00	\$5.51	56	50	

# STRUCTURAL HARDWARE PRODUCTS

GLULAM, EWP AND SOLID SAWN SIZES

## GLT, GLTV/HGLT, HGLTV GLULAM BEAM HANGERS

Model	List Price per 100	List Price per Each	Weight lbs/100	Min "H"
<b>"W" = 3 1/8"</b>				
GLT3, GLTV3	\$9,232.00	\$92.32	983	7 1/2
HGLT3, HGLTV3	\$10,775.00	\$107.75	1498	7 1/2
<b>"W" = 3 3/8"</b>				
GLT4, GLTV4	\$9,232.00	\$92.32	983	7 1/2
HGLT4, HGLTV4	\$10,775.00	\$107.75	1498	7 1/2
<b>"W" = 5 1/8"</b>				
GLT5, GLTV5	\$9,419.00	\$94.19	1034	7 1/2
HGLT5, HGLTV5	\$11,013.00	\$110.13	1570	7 1/2

**N54A fasteners are included with GLT and HGLT hangers.**

GLTV/HGLTV has nail size and pattern designed for use with LVL support. Same price as comparable GLT/HGLT. (16d nails not included with GLTV/HGLTV.)

**GLT/GLTV WITH GREATER "H" DIMENSION:**

Add \$193.00 to the list price per 100 and 27 lbs. to the weight per 100 for each additional 1/2" or fraction thereof.

**HGLT/HGLTV WITH GREATER "H" DIMENSION:**

Add \$384.00 to the list price per 100 and 32 lbs. to the weight per 100 for each additional 1/2" or fraction thereof.

**OFFSET TOP FLANGE:**

Add \$2,672.00 to the list price per 100.

**HGLT and HGLTV hangers can be sloped OR skewed, but not sloped AND skewed.**

## GLT, GLTV/HGLT, HGLTV GLULAM BEAM HANGERS

Model	List Price per 100	List Price per Each	Weight lbs/100	Min "H"
<b>"W" = 5 3/8"</b>				
GLT6, GLTV6	\$10,084.00	\$100.84	1034	7 1/2
HGLT6, HGLTV6	\$11,397.00	\$113.97	1570	7 1/2
<b>"W" = 6 3/8"</b>				
GLT7, GLTV7	\$10,414.00	\$104.14	1155	7 1/2
HGLT7, HGLTV7	\$11,606.00	\$116.06	1619	7 1/2
<b>"W" = 7 1/8"</b>				
GLTV7.12	\$10,414.00	\$104.14	1155	7 1/2
HGLTV7.12	\$11,606.00	\$116.06	1619	7 1/2
<b>"W" = 7 1/2"</b>				
HGLT8, HGLTV8	\$11,952.00	\$119.52	1619	7 1/2
<b>"W" = 8 3/8"</b>				
HGLT9, HGLTV9	\$12,409.00	\$124.09	1811	7 1/2

**SLOPED SEAT CHARGE:**

Add \$13,622.00 to the list price per 100.

**SKEWED SEAT CHARGE:**

Add \$13,622.00 to the list price per 100.

**SLOPED TOP FLANGE:**

Add \$8,171.00 to the list price per 100.

HGLT and HGLTV hangers can be sloped OR skewed, but not sloped AND skewed.

CONTACT SIMPSON STRONG-TIE COMPANY INC. AT 800-999-5099 FOR OTHER AVAILABLE MODIFICATIONS AND PRICING.

# STRUCTURAL HARDWARE PRODUCTS

GLULAM, EWP AND SOLID SAWN SIZES

## LEG/MEG/EG/EGQ BEAM HANGERS

Model	List Price per 100	List Price per Each	Weight lbs/100	Min "H"
<b>W = 3 1/4"</b>				
LEG3	\$ 9,440.00	\$94.40	1362	9
<b>W = 5 1/4"</b>				
LEG5	\$9,844.00	\$98.44	1426	9
MEG5	\$13,954.00	\$139.54	1600	9
EG5	\$30,121.00	\$301.21	2600	11
<b>W = 6 7/8"</b>				
LEG7	\$10,183.00	\$101.83	1478	9
MEG7	\$16,349.00	\$163.49	1700	9
EG7	\$31,715.00	\$317.15	2800	11
<b>W = 8 7/8"</b>				
EG9	\$33,825.00	\$338.25	3200	11
EGQ3.62-SDS3	\$34,163.00	\$341.63	2593	11 1/4
EGQ5.50-SDS3	\$35,077.00	\$350.77	2650	11 1/4
EGQ7.25-SDS3	\$35,990.00	\$359.90	3838	11 1/4
<b>Non-Notched Ornaments (Classic)</b>				
LEG3NOTFPC	\$22,452.00	\$224.52	1362	9
LEG3PC	\$22,452.00	\$224.52	1362	9
LEG5NOTFPC	\$23,429.00	\$234.29	1426	9
LEG5PC	\$23,429.00	\$234.29	1426	9
LEG7NOTFPC	\$24,238.00	\$242.38	1478	9
LEG7PC	\$24,238.00	\$242.38	1478	9
MEG5PC	\$24,422.00	\$244.22	1600	9
MEG5NOTFPC	\$24,422.00	\$244.22	1600	9
MEG7PC	\$28,612.00	\$286.12	1700	9
MEG7NOTFPC	\$28,612.00	\$286.12	1700	9

### GREATER "H" DIMENSION:

Add \$249.00 to the list price per 100 and 32 lbs. to the weight per 100 for each additional half-inch (1/2") or fraction thereof.

### SLOPED SEAT CHARGE:

Add \$13,622.00 to the list price per 100.3  
Top flange models only.

### SKEWED SEAT CHARGE:

Add \$13,622.00 to the list price per 100.  
Top flange models only.

### OFFSET TOP FLANGE (LEG/MEG ONLY):

Add \$2,672.00 to the list price per 100 and  
**EG, EGQ, LEG, MEG hangers can be sloped OR skewed, but not sloped AND skewed. No skews on offset hangers.**

### GREATER "H" DIMENSION FOR LEGPC & MEGPC:

Add \$435.00 to the list price per 100 and 32 lbs. to the weight per 100 for each additional half-inch (1/2") or fraction thereof.

CONTACT SIMPSON STRONG-TIE COMPANY INC. AT 800-999-5099 FOR OTHER AVAILABLE MODIFICATIONS AND PRICING.

# STRUCTURAL HARDWARE PRODUCTS

GLULAM, EWP AND SOLID SAWN SIZES

GLS/HGLS GLULAM SADDLE HANGERS / GLS-SDS/HGLS-SDS EWP SADDLE HANGERS					
Model	S=Dimension	Min "H"	List Price per 100	List Price per Each	Weight lbs/100
<b>W = 3 1/4"</b>					
GLS3-5	(S = 5 1/4)	8 1/2	\$17,510.00	\$175.10	1825
GLS3-7	(S = 6 7/8)	8 1/2	\$18,443.00	\$184.43	2025
GLS3-9	(S = 8 7/8)	8 1/2	\$19,377.00	\$193.77	2025
GLS3-11	(S = 10 7/8)	8 1/2	\$21,521.00	\$215.21	2125
<b>W = 5 1/4"</b>					
GLS5-5	(S = 5 1/4)	8 1/2	\$20,907.00	\$209.07	2125
GLS5-7	(S = 6 7/8)	8 1/2	\$22,906.00	\$229.06	2225
GLS5-9	(S = 8 7/8)	8 1/2	\$24,903.00	\$249.03	2325
GLS5-11	(S = 10 7/8)	8 1/2	\$27,120.00	\$271.20	2525
<b>W = 6 7/8"</b>					
GLS7-7	(S = 6 7/8)	8 1/2	\$24,971.00	\$249.71	2725
GLS7-9	(S = 8 7/8)	8 1/2	\$25,836.00	\$258.36	2625
GLS7-11	(S = 10 7/8)	8 1/2	\$27,865.00	\$278.65	3025
<b>W = 3 5/8"</b>					
GLS3.6-3.6-SDS	(S = 3 5/8)	8 1/2	\$17,510.00	\$175.10	1900
GLS3.6-5.3-SDS	(S = 5 3/8)	8 1/2	\$17,510.00	\$175.10	1900
GLS3.6-7.1-SDS	(S = 7 1/8)	8 1/2	\$18,443.00	\$184.43	2200
<b>W = 5 3/8"</b>					
GLS5.3-5.3-SDS	(S = 5 3/8)	8 1/2	\$20,907.00	\$209.07	2125
GLS5.3-7.1-SDS	(S = 7 1/8)	8 1/2	\$22,906.00	\$229.06	2225
<b>W = 7 1/8"</b>					
GLS7.1-7.1-SDS	(S = 7 1/8)	8 1/2	\$24,971.00	\$249.71	2625
<b>W = 5 1/4"</b>					
HGLS5-5	(S = 5 1/4)	10 1/2	\$38,721.00	\$387.21	3200
HGLS5-7	(S = 6 7/8)	10 1/2	\$40,634.00	\$406.34	3400
HGLS5-9	(S = 8 7/8)	10 1/2	\$40,807.00	\$408.07	3500
HGLS5-11	(S = 10 7/8)	10 1/2	\$42,757.00	\$427.57	3700
<b>W = 6 7/8"</b>					
HGLS7-7	(S = 6 7/8)	10 1/2	\$39,565.00	\$395.65	3700
HGLS7-9	(S = 8 7/8)	10 1/2	\$41,349.00	\$413.49	3900
HGLS7-11	(S = 10 7/8)	10 1/2	\$43,357.00	\$433.57	4100
<b>W = 8 7/8"</b>					
HGLS9-9	(S = 8 7/8)	10 1/2	\$43,517.00	\$435.17	4000
<b>W = 3 5/8"</b>					
HGLS3.6-3.6-SDS	(S = 3 5/8)	10 1/2	\$38,721.00	\$387.21	2400
HGLS3.6-5.3-SDS	(S = 5 3/8)	10 1/2	\$38,721.00	\$387.21	2400
HGLS3.6-7.1-SDS	(S = 7 1/8)	10 1/2	\$38,721.00	\$387.21	2600

# STRUCTURAL HARDWARE PRODUCTS

GLULAM, EWP AND SOLID SAWN SIZES

GLS/HGLS GLULAM SADDLE HANGERS / GLS-SDS/HGLS-SDS EWP SADDLE HANGERS					
Model	S=Dimension	Min "H"	List Price per 100	List Price per Each	Weight lbs/100
<b>W = 5 3/8"</b>					
HGLS5.3-5.3-SDS	(S = 5 3/8)	10 1/2	\$38,721.00	\$387.21	3500
HGLS5.3-7.1-SDS	(S = 7 1/8)	10 1/2	\$40,634.00	\$406.34	3700
<b>W = 7 1/8"</b>					
HGLS7.1-7.1-SDS	(S = 7 1/8)	10 1/2	\$40,634.00	\$406.34	4000

**N54A fasteners are included with GLS and HGLS hangers; SDS screws are included with GLS-SDS and HGLS-SDS hangers.**

## GLS/HGLS SADDLE HANGERS

### SKEW CHARGE:

Add \$13,622.00 to the list price per 100.

### SLOPE SEAT CHARGE:

Add \$13,622.00 to the list price per 100.

### OFFSET TOP FLANGE:

Add \$2,672.00 to the list price per 100.

### SLOPED TOP FLANGE:

Add \$8,171.00 to the list price per 100.

**HGLS SEATS can be sloped OR skewed, but not sloped AND skewed.**

### GLS WITH GREATER "H" DIMENSION:

Add \$492.00 to the list price per 100 and 25 lbs. to the weight per 100 for each additional 1/2" or fraction thereof. (HGLS) model suggested for "H" over 30".) If W1 is different than W2, or H1 is different than H2, use pricing applicable to the larger size.

### HGLS WITH GREATER "H" DIMENSION:

Add \$607.00 to the list price per 100 and 32 lbs. to the weight per 100 for each additional 1/2" or fraction thereof. If W1 is different than W2, or H1 is different than H2, use pricing applicable to the larger size.

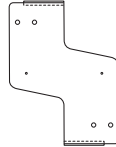
Note: HGLS cannot be skewed and sloped.

**CONTACT SIMPSON STRONG-TIE COMPANY INC. AT 800-999-5099 FOR OTHER AVAILABLE MODIFICATIONS AND PRICING.**

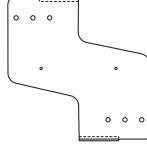
# STRUCTURAL HARDWARE PRODUCTS

## GLULAM, EWP AND SOLID SAWN SIZES

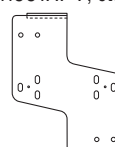
**HCA** 2 bolt rotational holes; specify HCA5-5, HCA7-7, etc.



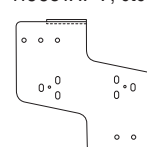
**HC3A** 3 bolt rotational holes; specify HC3A5-5, HC3A7-7, etc.



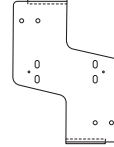
**HCCTA** 2 bolt rotational holes with opposing pairs of 3 bolt seismic holes at center; specify HCCTA5-5, HCCTA7-7, etc.



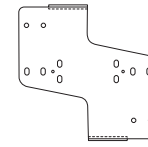
**HCC3TA** 3 bolt rotational holes with opposing pairs of 3 bolt seismic holes at center; specify HCC3TA5-5, HCC3TA7-7, etc.



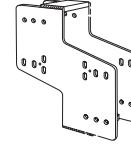
**HC2CTA** 2 bolt rotational holes with opposing pairs of 2 bolt seismic holes at center; specify HC2CTA5-5, HC2CTA7-7, etc.



**HC4CTA** 2 bolt rotational holes with opposing pairs of 4 bolt seismic holes at center; specify HC4CTA5-5, HC4CTA7-7, etc.



**HC4C3TA** 3 bolt rotational holes with opposing pairs of 4 bolt seismic holes at center; specify HC4C3TA5-5, HC4C3TA7-7, etc.



HCA HINGE CONNECTORS				
Model	List Price per 100	List Price per Each	Weight lbs/100	Min "H"
HCA3-5	\$20,378.00	\$203.78	2107	8
HCA5-5	\$24,496.00	\$244.96	2532	8
HC3A5-5	\$26,272.00	\$262.72	2968	8
HC2CTA5-5	\$39,180.00	\$391.80	3099	14
HCCTA5-5	\$39,180.00	\$391.80	3099	14
HCC3TA5-5	\$41,069.00	\$410.69	3710	14
HC4CTA5-5	\$41,069.00	\$410.69	3710	14
HC4C3TA5-5	\$41,069.00	\$410.69	3710	14

HCA HINGE CONNECTORS				
Model	List Price per 100	List Price per Each	Weight lbs/100	Min "H"
HCA3-7	\$22,926.00	\$229.26	2384	8
HCA5-7	\$28,658.00	\$286.58	2979	8
HC3A5-7	\$30,427.00	\$304.27	3415	8
HC2CTA5-7	\$43,965.00	\$439.65	3545	14
HCCTA5-7	\$43,965.00	\$439.65	3545	14
HCC3TA5-7	\$45,873.00	\$458.73	4156	14
HC4CTA5-7	\$45,873.00	\$458.73	4156	14
HC4C3TA5-7	\$45,873.00	\$458.73	4156	14

**Greater H Dimension:** Add \$296.00 /100 to the list price for each ½ inch of increase or fraction thereof. Due to the unique configuration of the HCA weight, adders will vary depending on model and size. For estimating hinge weights a range of approximately 45# per 100 pieces to 75# per 100 pieces per ½ inch of increase can be used.

**Greater H Dimension:** Add \$341.00 /100 to the list price for each ½ inch of increase or fraction thereof. Due to the unique configuration of the HCA weight, adders will vary depending on model and size. For estimating hinge weights a range of approximately 45# per 100 pieces to 75# per 100 pieces per ½ inch of increase can be used.

HCA HINGE CONNECTORS				
Model	List Price per 100	List Price per Each	Weight lbs/100	Min "H"
HCA3-6	\$21,789.00	\$217.89	2246	8
HCA5-6	\$26,732.00	\$267.32	2756	8
HC3A5-6	\$28,503.00	\$285.03	3192	8
HC2CTA5-6	\$41,740.00	\$417.40	3322	14
HCCTA5-6	\$41,740.00	\$417.40	3322	14
HCC3TA5-6	\$43,634.00	\$436.34	3933	14
HC4CTA5-6	\$43,634.00	\$436.34	3933	14
HC4C3TA5-6	\$43,634.00	\$436.34	3933	14

HCA HINGE CONNECTORS				
Model	List Price per 100	List Price per Each	Weight lbs/100	Min "H"
HCA3-9	\$24,300.00	\$243.00	3425	8
HCA5-9	\$31,192.00	\$311.92	3425	8
HC3A5-9	\$32,962.00	\$329.62	3861	8
HC2CTA5-9	\$46,915.00	\$469.15	3992	14
HCCTA5-9	\$46,915.00	\$469.15	3992	14
HCC3TA5-9	\$48,834.00	\$488.34	4602	14
HC4CTA5-9	\$48,834.00	\$488.34	4602	14
HC4C3TA5-9	\$48,834.00	\$488.34	4602	14

**Greater H Dimension:** Add \$341.00 /100 to the list price for each ½ inch of increase or fraction thereof. Due to the unique configuration of the HCA weight, adders will vary depending on model and size. For estimating hinge weights a range of approximately 45# per 100 pieces to 75# per 100 pieces per ½ inch of increase can be used.

**Greater H Dimension:** Add \$369.00 /100 to the list price for each ½ inch of increase or fraction thereof. Due to the unique configuration of the HCA weight, adders will vary depending on model and size. For estimating hinge weights a range of approximately 45# per 100 pieces to 75# per 100 pieces per ½ inch of increase can be used.

HCA HINGE CONNECTORS continues on next page.

# STRUCTURAL HARDWARE PRODUCTS

## GLULAM, EWP AND SOLID SAWN SIZES

HCA HINGE CONNECTORS				
Model	List Price per 100	List Price per Each	Weight lbs/100	Min "H"
HCA7-5	\$33,444.00	\$334.44	3365	8
HC3A7-5	\$35,220.00	\$352.20	3801	8
HC2CTA7-5	\$48,124.00	\$481.24	3931	14
HCCTA7-5	\$48,124.00	\$481.24	3931	14
HCC3TA7-5	\$50,003.00	\$500.03	4542	14
HC4CTA7-5	\$50,003.00	\$500.03	4542	14
HC4C3TA7-5	\$50,003.00	\$500.03	4542	14

Greater H Dimension: Add \$296.00 /100 to the list price for each ½ inch of increase or fraction thereof. Due to the unique configuration of the HCA weight, adders will vary depending on model and size. For estimating hinge weights a range of approximately 45# per 100 pieces to 75# per 100 pieces per ½ inch of increase can be used.

HCA HINGE CONNECTORS				
Model	List Price per 100	List Price per Each	Weight lbs/100	Min "H"
HCA7-6	\$38,676.00	\$386.76	3754	8
HC3A7-6	\$40,445.00	\$404.45	4190	8
HC2CTA7-6	\$53,681.00	\$536.81	4321	14
HCCTA7-6	\$53,681.00	\$536.81	4321	14
HCC3TA7-6	\$55,580.00	\$555.80	4931	14
HC4CTA7-6	\$55,580.00	\$555.80	4931	14
HC4C3TA7-6	\$55,580.00	\$555.80	4931	14

Greater H Dimension: Add \$314.00 /100 to the list price for each ½ inch of increase or fraction thereof. Due to the unique configuration of the HCA weight, adders will vary depending on model and size. For estimating hinge weights a range of approximately 45# per 100 pieces to 75# per 100 pieces per ½ inch of increase can be used.

HCA HINGE CONNECTORS				
Model	List Price per 100	List Price per Each	Weight lbs/100	Min "H"
HCA7-7	\$43,407.00	\$434.07	4144	8
HC3A7-7	\$45,174.00	\$451.74	4580	8
HC2CTA7-7	\$58,708.00	\$587.08	4711	14
HCCTA7-7	\$58,708.00	\$587.08	4711	14
HCC3TA7-7	\$60,622.00	\$606.22	5321	14
HC4CTA7-7	\$60,622.00	\$606.22	5321	14
HC4C3TA7-7	\$60,622.00	\$606.22	5321	14

Greater H Dimension: Add \$341.00 /100 to the list price for each ½ inch of increase or fraction thereof. Due to the unique configuration of the HCA weight, adders will vary depending on model and size. For estimating hinge weights a range of approximately 45# per 100 pieces to 75# per 100 pieces per ½ inch of increase can be used.

HCA HINGE CONNECTORS continues on next page.

HCA HINGE CONNECTORS				
Model	List Price per 100	List Price per Each	Weight lbs/100	Min "H"
HCA9-5	\$45,791.00	\$457.91	4560	8
HC3A9-5	\$47,567.00	\$475.67	4996	8
HC2CTA9-5	\$60,471.00	\$604.71	5127	14
HCCTA9-5	\$60,471.00	\$604.71	5127	14
HCC3TA9-5	\$62,353.00	\$623.53	5737	14
HC4CTA9-5	\$62,353.00	\$623.53	5737	14
HC4C3TA9-5	\$62,353.00	\$623.53	5737	14

Greater H Dimension: Add \$296.00 /100 to the list price for each ½ inch of increase or fraction thereof. Due to the unique configuration of the HCA weight, adders will vary depending on model and size. For estimating hinge weights a range of approximately 45# per 100 pieces to 75# per 100 pieces per ½ inch of increase can be used.

HCA HINGE CONNECTORS				
Model	List Price per 100	List Price per Each	Weight lbs/100	Min "H"
HCA9-6	\$51,767.00	\$517.67	5188	8
HC3A9-6	\$53,536.00	\$535.36	5624	8
HC2CTA9-6	\$66,772.00	\$667.72	5755	14
HCCTA9-6	\$66,772.00	\$667.72	5755	14
HCC3TA9-6	\$68,677.00	\$686.77	6366	14
HC4CTA9-6	\$68,677.00	\$686.77	6366	14
HC4C3TA9-6	\$68,677.00	\$686.77	6366	14

Greater H Dimension: Add \$314.00 /100 to the list price for each ½ inch of increase or fraction thereof. Due to the unique configuration of the HCA weight, adders will vary depending on model and size. For estimating hinge weights a range of approximately 45# per 100 pieces to 75# per 100 pieces per ½ inch of increase can be used.

HCA HINGE CONNECTORS				
Model	List Price per 100	List Price per Each	Weight lbs/100	Min "H"
HCA9-7	\$60,519.00	\$605.19	5817	8
HC3A9-7	\$62,296.00	\$622.96	6253	8
HC2CTA9-7	\$75,817.00	\$758.17	6384	14
HCCTA9-7	\$75,817.00	\$758.17	6384	14
HCC3TA9-7	\$77,742.00	\$777.42	6994	14
HC4CTA9-7	\$77,742.00	\$777.42	6994	14
HC4C3TA9-7	\$77,742.00	\$777.42	6994	14

Greater H Dimension: Add \$341.00 /100 to the list price for each ½ inch of increase or fraction thereof. Due to the unique configuration of the HCA weight, adders will vary depending on model and size. For estimating hinge weights a range of approximately 45# per 100 pieces to 75# per 100 pieces per ½ inch of increase can be used.

# STRUCTURAL HARDWARE PRODUCTS

GLULAM, EWP AND SOLID SAWN SIZES

## HCA HINGE CONNECTORS

Model	List Price per 100	List Price per Each	Weight lbs/100	Min "H"
HCA7-9	\$48,665.00	\$486.65	4923	8
HC3A7-9	\$50,438.00	\$504.38	5359	8
HC2CTA7-9	\$64,388.00	\$643.88	5490	14
HCCTA7-9	\$64,388.00	\$643.88	5490	14
HCC3TA7-9	\$66,316.00	\$663.16	6100	14
HC4CTA7-9	\$66,316.00	\$663.16	6100	14
HC4C3TA7-9	\$66,316.00	\$663.16	6100	14

Greater H Dimension: Add \$369.00 /100 to the list price for each ½ inch of increase or fraction thereof. Due to the unique configuration of the HCA weight, adders will vary depending on model and size. For estimating hinge weights a range of approximately 45# per 100 pieces to 75# per 100 pieces per ½ inch of increase can be used.

## HCA HINGE CONNECTORS

Model	List Price per 100	List Price per Each	Weight lbs/100	Min "H"
HCA9-9	\$79,183.00	\$791.83	7074	8
HC3A9-9	\$80,954.00	\$809.54	7510	8
HC2CTA9-9	\$94,912.00	\$949.12	7641	14
HCCTA9-9	\$94,912.00	\$949.12	7641	14
HCC3TA9-9	\$96,835.00	\$968.35	8251	14
HC4CTA9-9	\$96,835.00	\$968.35	8251	14
HC4C3TA9-9	\$96,835.00	\$968.35	8251	14

Greater H Dimension: Add \$369.00 /100 to the list price for each ½ inch of increase or fraction thereof. Due to the unique configuration of the HCA weight, adders will vary depending on model and size. For estimating hinge weights a range of approximately 45# per 100 pieces to 75# per 100 pieces per ½ inch of increase can be used.

## HCA HINGE CONNECTORS

Model	List Price per 100	List Price per Each	Weight lbs/100	Min "H"
HCA11-5	\$58,145.00	\$581.45	6038	8
HC3A11-5	\$59,912.00	\$599.12	6474	8
HC2CTA11-5	\$72,820.00	\$728.20	6605	14
HCCTA11-5	\$72,820.00	\$728.20	6605	14
HCC3TA11-5	\$74,702.00	\$747.02	7216	14
HC4CTA11-5	\$74,702.00	\$747.02	7216	14
HC4C3TA11-5	\$74,702.00	\$747.02	7216	14

Greater H Dimension: Add \$296.00 /100 to the list price for each ½ inch of increase or fraction thereof. Due to the unique configuration of the HCA weight, adders will vary depending on model and size. For estimating hinge weights a range of approximately 45# per 100 pieces to 75# per 100 pieces per ½ inch of increase can be used.

## HCA HINGE CONNECTORS

Model	List Price per 100	List Price per Each	Weight lbs/100	Min "H"
HCA11-6	\$64,827.00	\$648.27	6963	8
HC3A11-6	\$66,622.00	\$666.22	7399	8
HC2CTA11-6	\$79,865.00	\$798.65	7529	14
HCCTA11-6	\$79,865.00	\$798.65	7529	14
HCC3TA11-6	\$81,770.00	\$817.70	8140	14
HC4CTA11-6	\$81,770.00	\$817.70	8140	14
HC4C3TA11-6	\$81,770.00	\$817.70	8140	14

Greater H Dimension: Add \$314.00 /100 to the list price for each ½ inch of increase or fraction thereof. Due to the unique configuration of the HCA weight, adders will vary depending on model and size. For estimating hinge weights a range of approximately 45# per 100 pieces to 75# per 100 pieces per ½ inch of increase can be used.

## HCA HINGE CONNECTORS

Model	List Price per 100	List Price per Each	Weight lbs/100	Min "H"
HCA11-7	\$77,637.00	\$776.37	7887	8
HC3A11-7	\$79,410.00	\$794.10	8323	8
HC2CTA11-7	\$92,941.00	\$929.41	8454	14
HCCTA11-7	\$92,941.00	\$929.41	8454	14
HCC3TA11-7	\$94,857.00	\$948.57	9064	14
HC4CTA11-7	\$94,857.00	\$948.57	9064	14
HC4C3TA11-7	\$94,857.00	\$948.57	9064	14

Greater H Dimension: Add \$341.00 /100 to the list price for each ½ inch of increase or fraction thereof. Due to the unique configuration of the HCA weight, adders will vary depending on model and size. For estimating hinge weights a range of approximately 45# per 100 pieces to 75# per 100 pieces per ½ inch of increase can be used.

## HCA HINGE CONNECTORS

Model	List Price per 100	List Price per Each	Weight lbs/100	Min "H"
HCA11-9	\$109,707.00	\$1,097.07	9735	8
HC3A11-9	\$111,475.00	\$1,114.75	10171	8
HC2CTA11-9	\$125,426.00	\$1,254.26	10302	14
HCCTA11-9	\$125,426.00	\$1,254.26	10302	14
HCC3TA11-9	\$127,359.00	\$1,273.59	10913	14
HC4CTA11-9	\$127,359.00	\$1,273.59	10913	14
HC4C3TA11-9	\$127,359.00	\$1,273.59	10913	14

Greater H Dimension: Add \$369.00 /100 to the list price for each ½ inch of increase or fraction thereof. Due to the unique configuration of the HCA weight, adders will vary depending on model and size. For estimating hinge weights a range of approximately 45# per 100 pieces to 75# per 100 pieces per ½ inch of increase can be used.



# STRUCTURAL HARDWARE PRODUCTS

## GLULAM, EWP AND SOLID SAWN SIZES

HCST HINGE CONNECTOR STRAP TIES				
Model	List Price per 100	List Price per Each	Weight lbs/100	Min "H"
HCST2	\$3,707.00	\$37.07		410
HCST3	\$4,075.00	\$40.75		500
HCST4	\$4,817.00	\$48.17		900

HCSTR HINGE CONNECTOR STRAP TIES				
Model	List Price per 100	List Price per Each	Weight lbs/100	Min "H"
HCSTR2	\$3,707.00	\$37.07		410
HCSTR3	\$4,075.00	\$40.75		500
HCSTR4	\$4,141.00	\$41.41		900

Must be used in pairs; Prices listed are for pieces.

**HCST models have slotted holes and are priced identically to the corresponding HCSTR models**

GLB BEAM SEAT HANGERS							
Model	List Price per 100	List Price per Each	Weight lbs/100	PD	PW	PT	BOLTS
GLB5A	\$8,811.00	\$88.11	800	5	7	1/4	1/2
GLB5B	\$9,905.00	\$99.05	1000	6	7	3/8	1/2
GLB5C	\$10,574.00	\$105.74	1100	7	7	3/8	1/2
GLB5D	\$12,471.00	\$124.71	1200	8	7	3/8	1/2
GLB7A	\$10,555.00	\$105.55	900	5	9	1/4	3/4
GLB7B	\$13,756.00	\$137.56	1200	6	9	3/8	3/4
GLB7C	\$13,911.00	\$139.11	1300	7	9	3/8	3/4
GLB7D	\$16,487.00	\$164.87	1400	8	9	3/8	3/4

**GLB Double Bolt Tab Design: Add \$1183 to the list price per 100.**

HGLBA	\$14,283.00	\$142.83	1500	5	10	3/8	3/4 (2)
HGLBB	\$16,656.00	\$166.56	1800	6	10	3/8	3/4 (2)
HGLBC	\$17,412.00	\$174.12	1900	7	10	3/8	3/4 (2)
HGLBD	\$18,667.00	\$186.67	2000	8	10	3/8	3/4 (2)
GLBT512	\$14,432.00	\$144.32	1600	5 1/4	12	5 1/16	3/4 (2)
GLBT516	\$21,238.00	\$212.38	2000	5 1/4	16	5 1/16	3/4 (2)
GLBT520	\$24,979.00	\$249.79	2200	5 1/4	20	5 1/16	3/4 (2)
GLBT612	\$23,955.00	\$239.55	2200	6 1/2	12	3/8	3/4 (2)
GLBT616	\$27,744.00	\$277.44	2600	6 1/2	16	3/8	3/4 (2)
GLBT620	\$32,626.00	\$326.26	3000	6 1/2	20	3/8	3/4 (2)

PCT PURLIN CROSS TIES			
Model	List Price per 100	List Price per Each	Weight lbs/100
PCT18	\$24,148.00	\$241.48	840
PCT23	\$28,670.00	\$286.70	990
PCT27	\$51,853.00	\$518.53	1790
PCT38	\$55,634.00	\$556.34	1920

**PCT required in pairs, but sold in pieces.**







Every day we work hard to earn your business, blending the talents of our people with the quality of our products and services to exceed your expectations. This is our pledge to you.

**Home Office**

5956 W. Las Positas Blvd.  
Pleasanton, CA 94588  
Tel: 925/560-9000  
Fax: 925/847-1603

**Northwest USA**

5151 S. Airport Way  
Stockton, CA 95206  
Tel: 209/234-7775  
Fax: 209/234-3868

**Southwest USA**

12246 Holly Street  
Riverside, CA 92509  
Tel: 714/871-8373  
Fax:

**Northeast USA**

2600 International St.  
Columbus, OH 43228  
Tel: 614/876-8060  
Fax: 614/876-0636

**Southeast USA**

2221 Country Lane  
McKinney, TX 75069  
Tel: 972/542-0326  
Fax: 972/542-5379

**Quik Drive® Factory**

436 Calvert Drive  
Gallatin, TN 37066  
Tel: 888/487-7845  
Fax: 615/451-9806

**Eastern Canada**

5 Kenview Boulevard  
Brampton, ON L6T 5G5  
Tel: 905/458-5538  
Fax: 905/458-7274

**Western Canada**

11476 Kingston Street  
Maple Ridge, B.C. V2X 0Y5  
Tel: 604/465-0296  
Fax: 604/465-0297

**Simpson Strong-Tie  
Anchor Systems®**

136 Official Road  
Addison, IL 60101  
Tel: 630/543-2797  
Fax: 630/543-7014

**Specials Factories**

Kent, WA  
Eagan, MN

**Distribution Centers**

Enfield, CT; High Point, NC;  
Jacksonville, FL; Jessup, MD;  
Langley, B.C.; Ontario, CA

**International Facilities**

Please visit our website  
for contact details.